

Installation Manual
Compact Traingle
Fixed Glass System

Dear Customer,

Installation manual contains suggestions and rules for fast and exact installation of our product. We recommend you to read our instruction carefully.

During installation all necessary actions have to be carried out by authorized and specialized technicians.

All unauthorized interventions during warranty period will invalidate the warranty.

INDEX

1. Symbols, Precautions and Warnings	04
2. Terminology	05
3. Packaging	06
4. Installation Steps	08
6. Tools	13
7. Frequently Asked Questions	16

1. SYMBOLS, PRECAUTIONS AND WARNINGS

1.1. Symbols



Attention: General operation notes.



Attention: General hazards; possible risk for persons.



Attention: Electrical hazard.



Attention: Risk of crushing hands.



Contact: Palmiye service department or related parties.



You can scan the barcodes located at the bottom of the page to see video demonstration of the related steps.

1.2. Precautions and Warnings

The installation and maintenance personnel (installers, electricians etc.) must have sufficient expertise and knowledge for undertaking the task at hand.



In case of anomalies, immediately stop the work and contact service department of Palmiye.

Palmiye will not be responsible on use of non-original parts or unauthorized interventions and modifications for damage caused to people or animals or property.

General Precautions

Before starting of any assembly, maintenance or cleaning operations, make sure that you have fully understood the indications in this manual.

All electrical connections for Traingle Compact Fixed Glass System, installation of automation accessories must be made by qualified personnel.



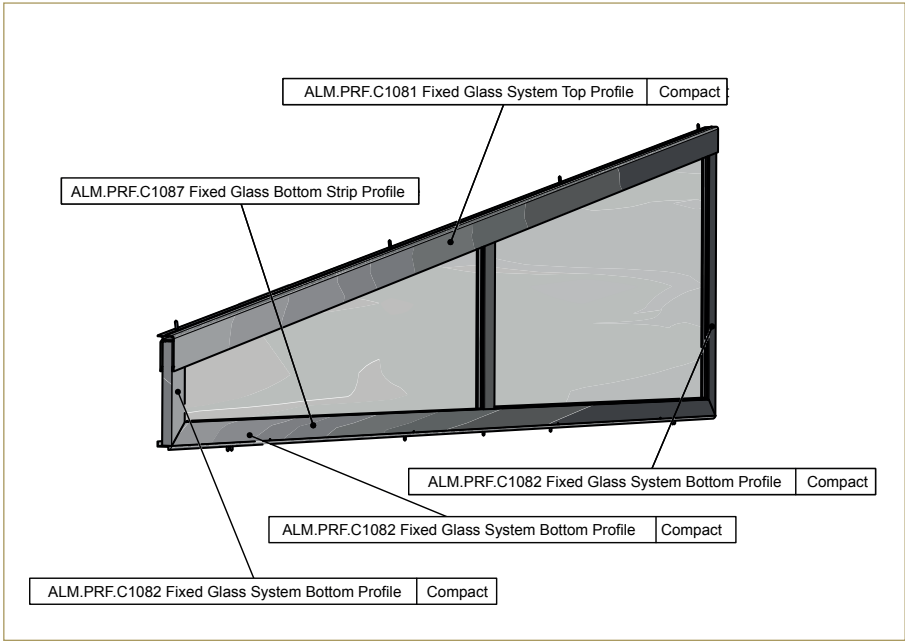
In case of any incompatibility, call Palmiye.

General Safety Precautions

When using the carrier, it is good practice to remember that all moving parts can be a source of danger.

It is recommended never to intervene on moving parts and to ensure that no operator is near to the panel before reactivating it after a technical or maintenance intervention.

2. TERMINOLOGY



3. PACKAGING

3.1. Preliminary Checks

On receipt of the packed goods and before starting their assembly, check the integrity of the material and the presence of all the components necessary for the installation.



In case of anomalies, immediately stop the work and contact with hospital.



Fixing elements such as screws, plugs etc. are included on the box.



If not please contact service department of Palmiye.



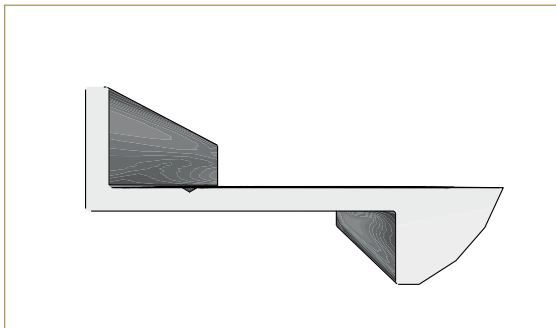
Do not use a knife to avoid the risk of ruining the paint or other materials.

3.2. Packed Parts

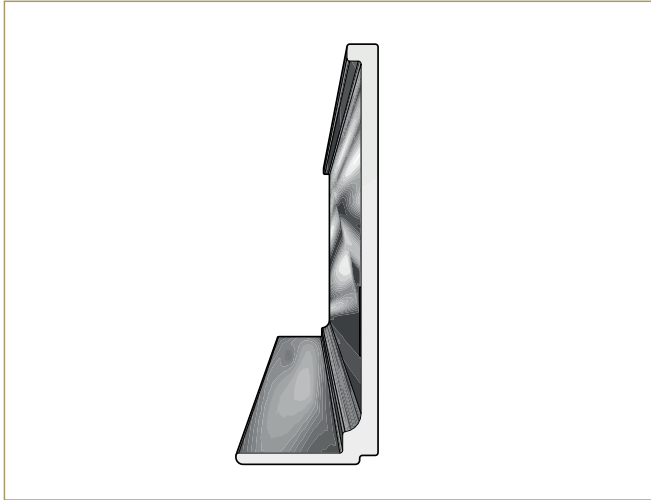
3.2.1. Frame Profiles



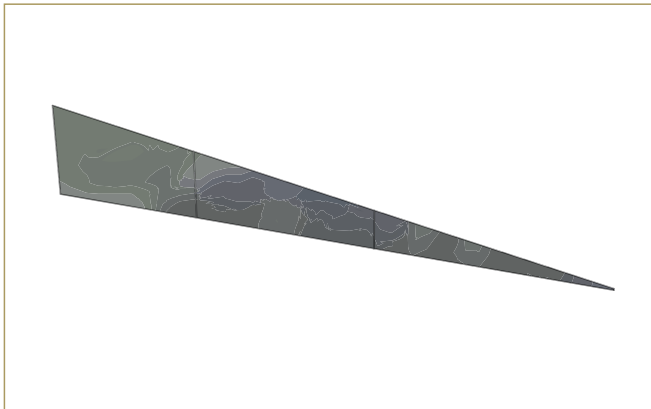
3.2.2. Bottom Extension Profile



3.2.3. Glass Lath Profile



3.2.4. Glass



3.2.5. Boxes

1. Plastic Box

Rubber, Gasket, glass chock for the glass. It has a yellow label on the box.

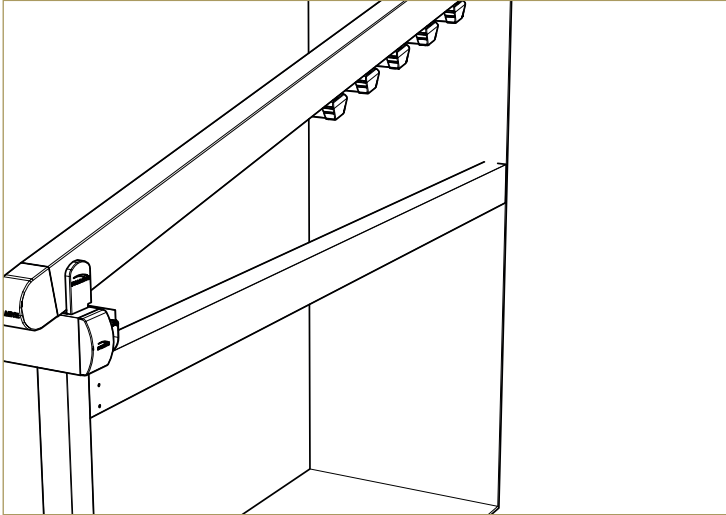
PLASTIC

4. INSTALLATION STEPS

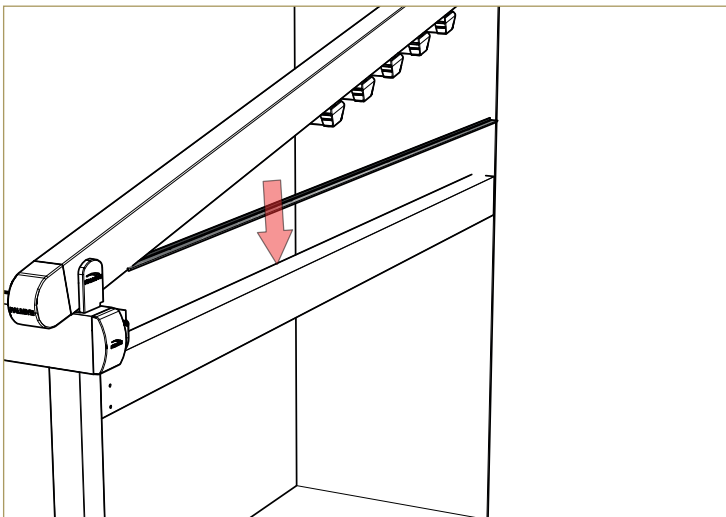
4.1. Frame Installation

4.1.1. Bottom Extension profile placing

Before assembly, silicon should be applied to the area where the glass system will be mounted.

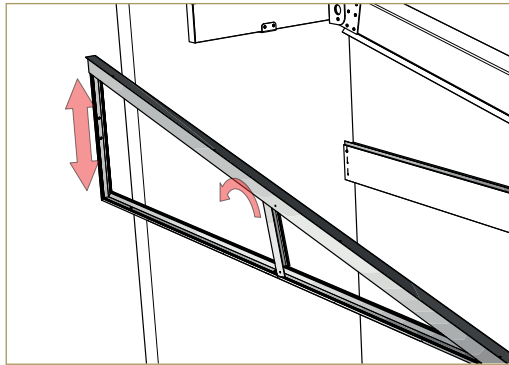


Then the bottom profile should be placed on the silicone.

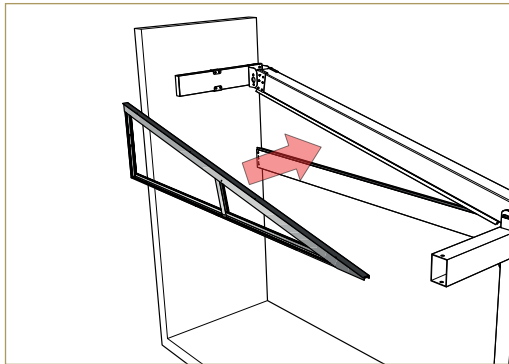


4.1.2. Frame profile fixing

Before mounting the glass frame, the middle pillar screws must be removed.

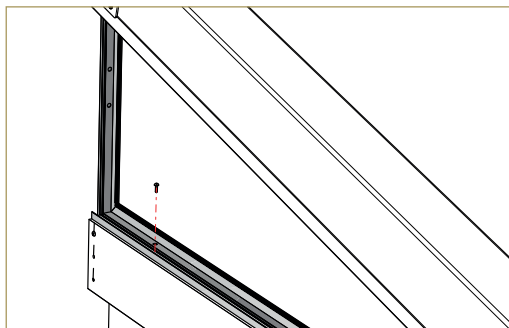


The frame must be placed in the triangular area.



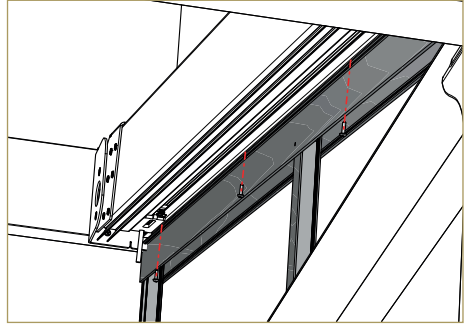
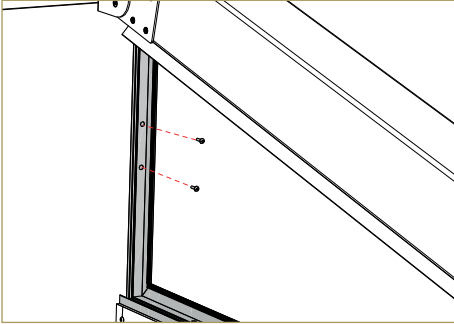
Check all the levels.

The frame profile must be fixed.



After checking the alignment, the vertical surface of the frame should also be screwed.

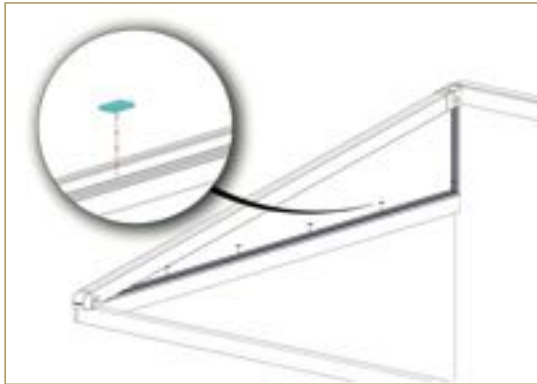
The upper frame profile must be mounted to the structure.



4.1.4. Glass Installation

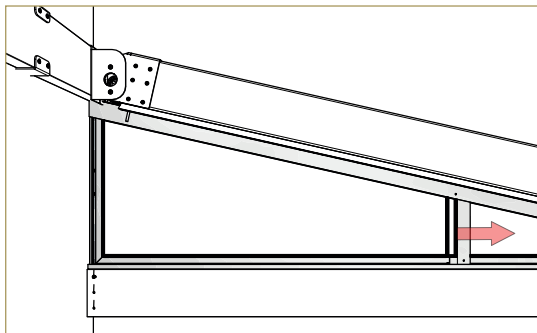
4.1.4.1. Placing of the glass chock

The glass chocks prevent the glass from fitting directly to the frame to prevent damage to the glasses.



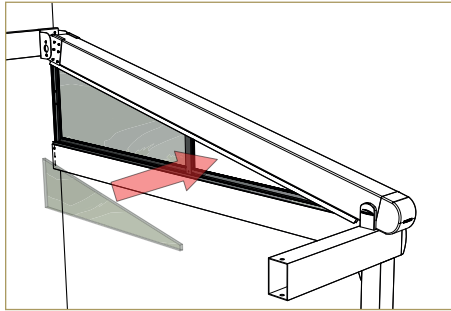
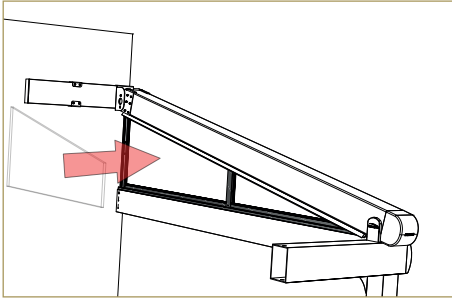
4.1.4.2. Move the middle profile

The middle pillar profile screw should be removed and the windows should be placed.



4.1.4.3. Glass placing

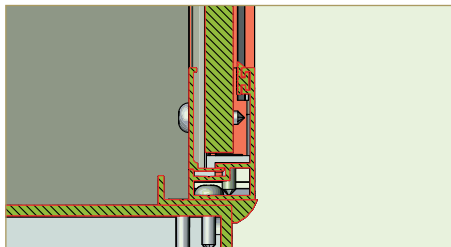
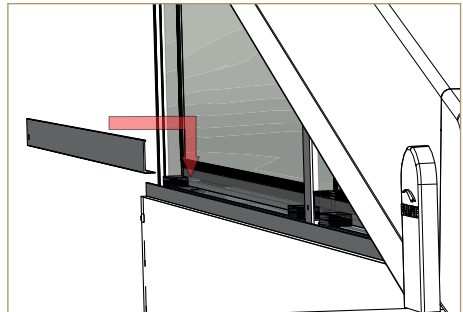
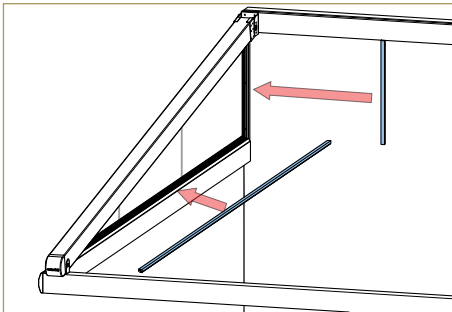
The glasses must be placed on the glass chock.



4.1.5. Glass Fixing

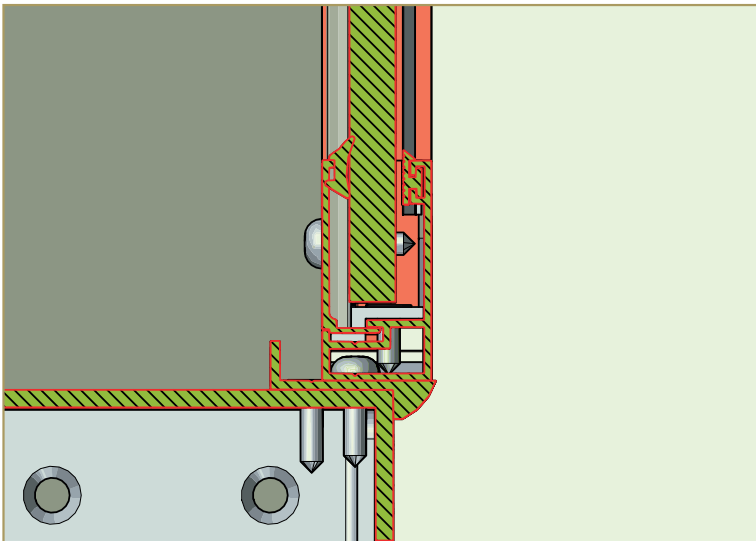
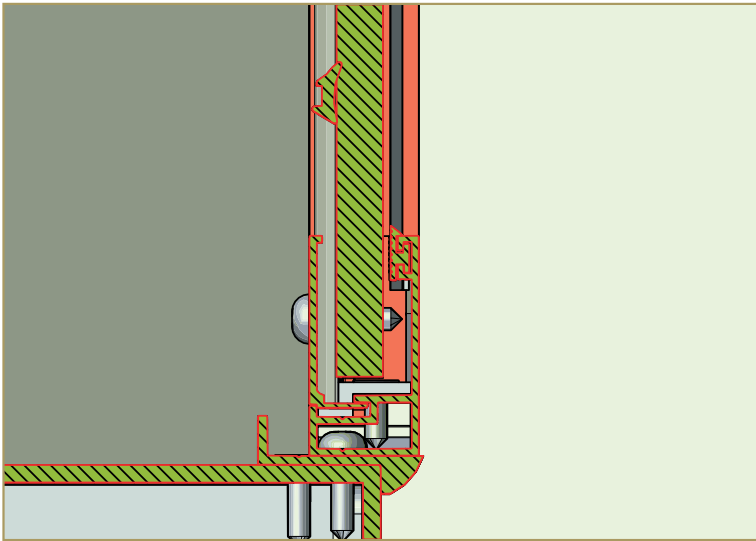
4.1.5.1. Glass lath profile installing

The glasses are fixed with lath profile.




4.1.5.2. Gasket for the glasses

The gasket should be touched to the glasses as you see at below.











6. TOOLS

Image	Product	Description	Product Code
	Palmiye T-Shirt	for Installation teams	HZM.ISG.G1009BRUT
	Palmiye Trousers	for Installation teams	HZM.ISG.G1014.BRUT
	Palmiye Waistcoat	for Installation teams	HZM.ISG.1013.BRUT
	Sealant NP1 Dark Brown	to block the passage of water through the surface or joints or openings in materials	HRD.KMY.C0018.KAHV
	Sealant NP1 Light Brown	to block the passage of water through the surface or joints or openings in materials	HRD.KMY.C0018.AKAH
	Sealant (Black)	to block the passage of water through the surface or joints or openings in materials	HRD.KMY.G0016.SYAH
	Sealant (White)	to block the passage of water through the surface or joints or openings in materials	HRD.KMY.G0017.BYAZ
	Sealant (Grey)	to block the passage of water through the surface or joints or openings in materials	HRD.KMY.G0022.GREY

INSTALLATION TOOL LIST

	Tool box with wheel	1 pc
	Spiral grinder	1 pc
	Batery driller.	1 pc
	Lighting	2 pc
	Extansion lead	2 pc
	Ladder	2 pc
	Tape measure 5m	1 pc
	Tape measure 10m	1 pc
	Water gauge	2 pc
	Laser Meter	1 pc
	35 cm angle	1 pc

	Allen wrench set	2 Set
	Screw driver	1 Set
	Plastic hammer	1 pc
	Cutter	1 pc
	Slicon gun	2 pc
	Bits	2 Set
	PH2X100 Bits	2 pc
	APEX 493 A Bits	2 pc

7. FREQUENTLY ASKED QUESTIONS

FAULT	REASON	HOW TO RESOLVE?
The aluminum part is excessively dirty.		This part must be cleaned (with liquid soap with no chemicals) other than cleaning agents which can scratch the detergent and paint



www.palmiye.eu



PALMIYE
Four Seasons Outdoor Living Areas