

Installation Manual
Motorized Adjustable Parapet System

Dear Customer,

Installation manual contains suggestions and rules for fast and exact installation of our product. We recommend you to read our instruction carefully.

During installation all necessary actions have to be carried out by authorized and specialized technicians.

All unauthorized interventions during warranty period will invalidate the warranty.

INDEX

1. Symbols, Precautions and Warnings	04
2. Terminology	05
3. Packaging	06
4. Installation Steps	08
5. Programming	20
6. Hardware	25
7. Tools	26
8. Frequently Asked Questions	29

1. SYMBOLS, PRECAUTIONS AND WARNINGS

1.1. Symbols



Attention: General operation notes.



Attention: General hazards; possible risk for persons.



Attention: Electrical hazard.



Attention: Risk of crushing hands.



Contact: Palmiye service department or related parties.



You can scan the barcodes located at the bottom of the page to see video demonstration of the related steps.

1.2. Precautions and Warnings

The installation and maintenance personnel (installers, electricians etc.) must have sufficient expertise and knowledge for undertaking the task at hand.



In case of anomalies, immediately stop the work and contact service department of Palmiye.

Palmiye will not be responsible on use of non-original parts or unauthorized interventions and modifications for damage caused to people or animals or property.

General Precautions

Before starting of any assembly, maintenance or cleaning operations, make sure that you have fully understood the indications in this manual.

All electrical connections for Motorized Adjustable Parapet System, installation of automation accessories must be made by qualified personnel.



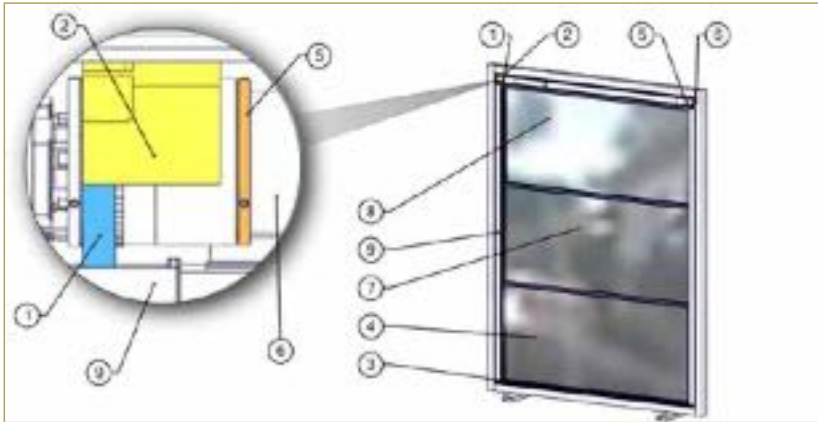
In case of any incompatibility, call Palmiye.

General Safety Precautions

When using the carrier, it is good practice to remember that all moving parts can be a source of danger.

It is recommended never to intervene on moving parts and to ensure that no operator is near to the panel before reactivating it after a technical or maintenance intervention.

2. TERMINOLOGY



BOM ID	Description	Qty
1	Belt	2
2	Belt Housing Plastic	2
3	Bottom Profile	1
4	Fixed Glass Panel	1
5	Metal Ring	2
6	Motor Tube	1
7	Moveabl Glass Panel (middle)	1
8	Moveabl Glass Panel (Top)	1
9	Side Profile	2

3. PACKAGING

3.1. Preliminary Checks

On receipt of the packed goods and before starting their assembly, check the integrity of the material and the presence of all the components necessary for the installation.



In case of anomalies, immediately stop the work and contact with hospital.



Fixing elements such as screws, plugs etc. are included on the box.

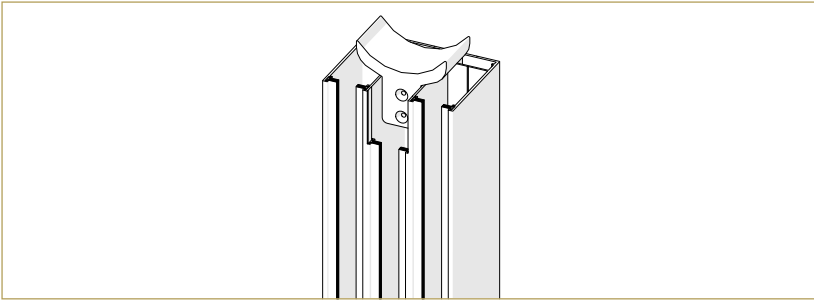


If not please contact service department of Palmiye.

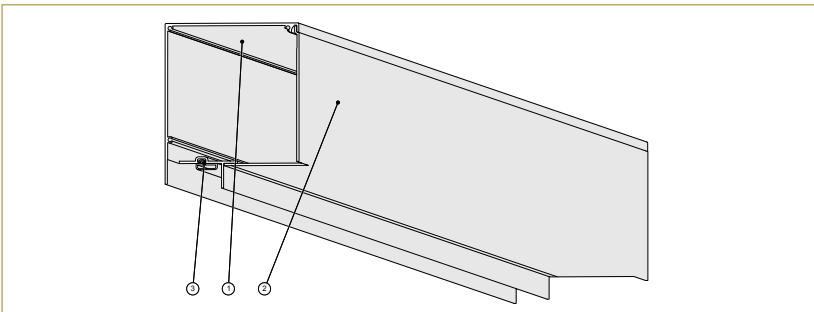


Do not use a knife to avoid the risk of ruining the paint or other materials.

3.2. Side Profile

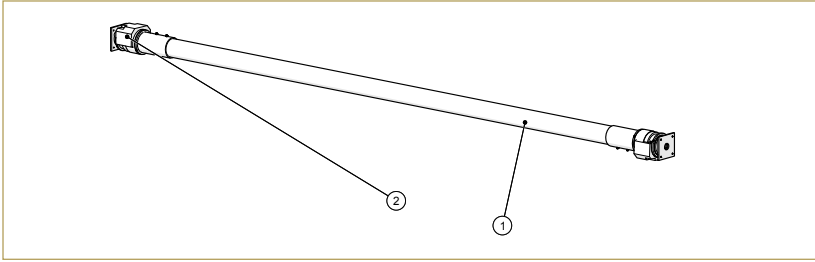


3.3. Top Cassette Profile



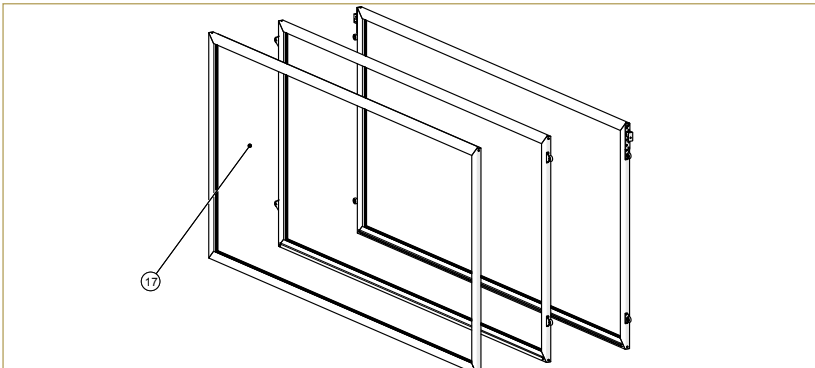
BOM ID	Description	Qty
1	Outer Top Cassette Profile	1
2	Inner Top Cassette Profile	1
3	Gasket	1

3.4. Motor Tube Set



BOM ID	Description	Qty
1	Ø78mm Aluminum Tube	1
2	Motor - Altus RTS 120Nm/12rpm	1

3.5. Glass Panels



BOM ID	Description	Qty
17	Glass Panels	3

3.6. Boxes

1. Plastic Box

Some plastic brackets, cover plastics, end cap plastics. It has a yellow label on the box.

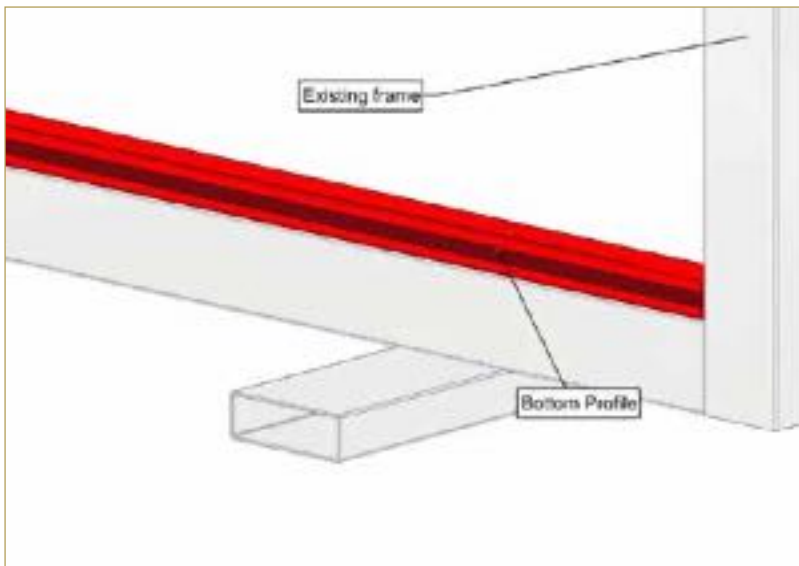
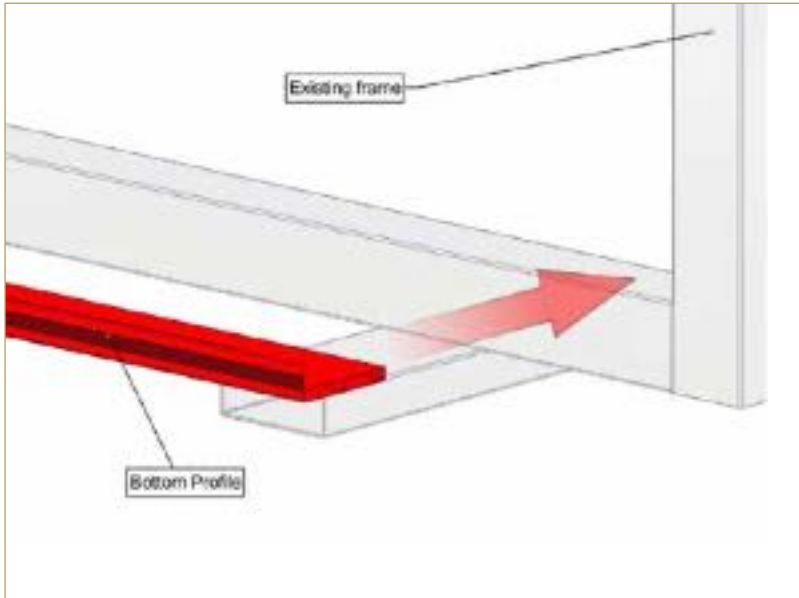
PLASTIC

4. INSTALLATION STEPS



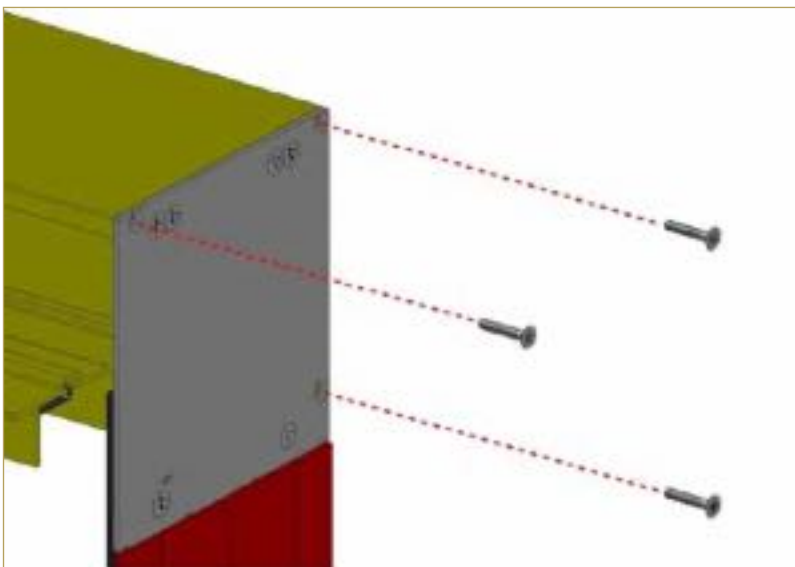
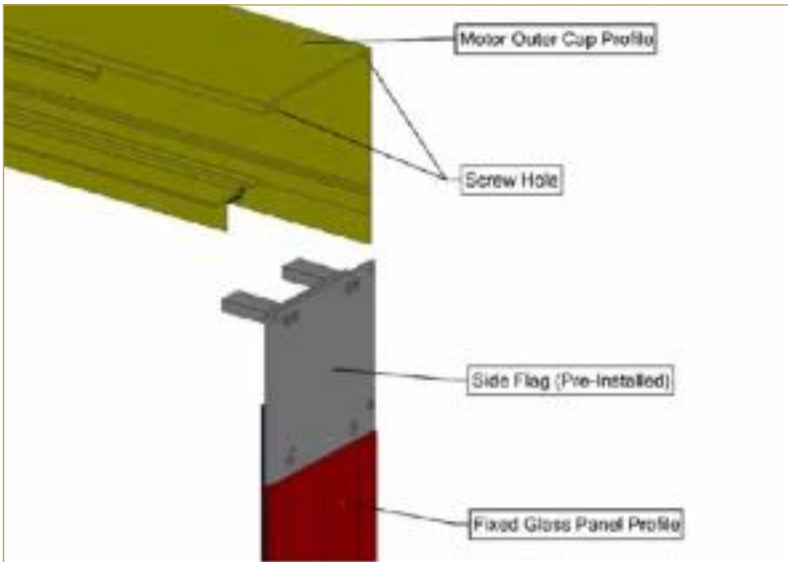
4.1. Bottom profiles installation

First of all, place the bottom profile and locate on the frame.



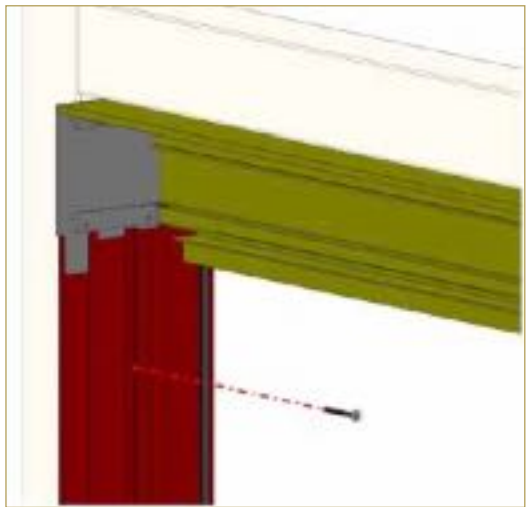
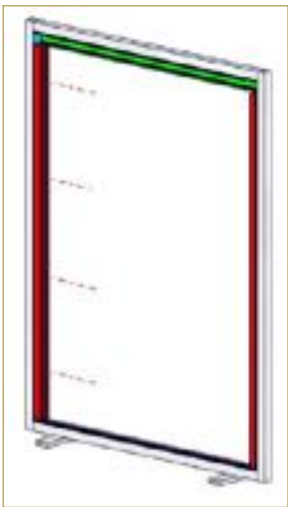
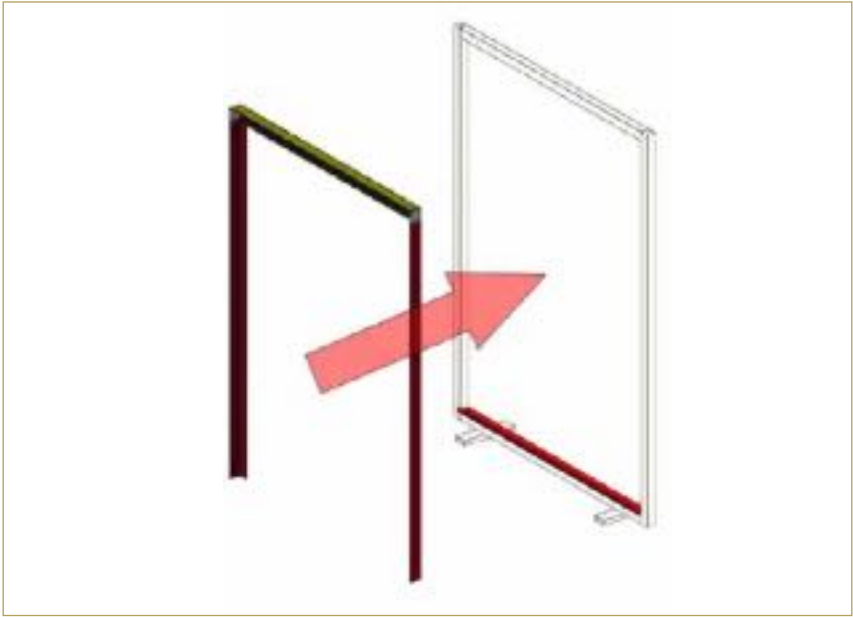
4.2. Outer glass panel and Motor outer cap profile installation

Side profile which is fixed glass panel profile and motor outer cap profiles should be screwed by M4,8x70mm self-drilling screw.



Now, this construction is ready to fix to the related place.

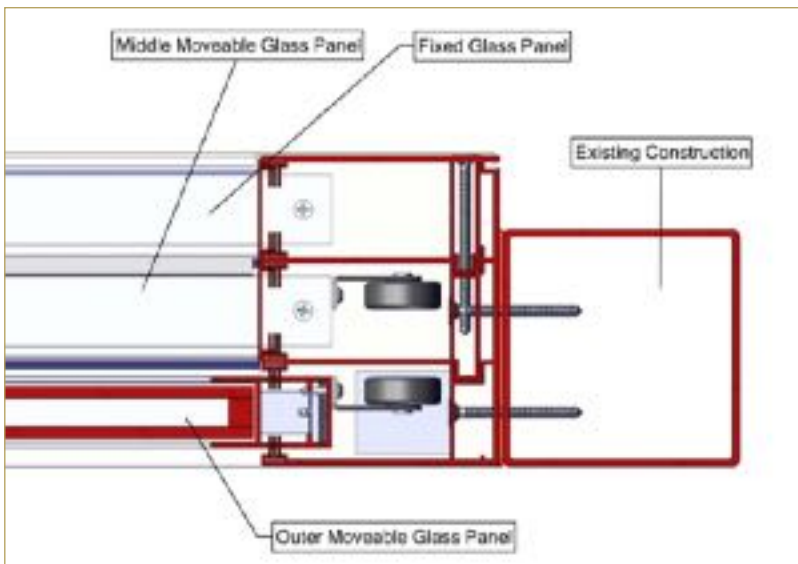
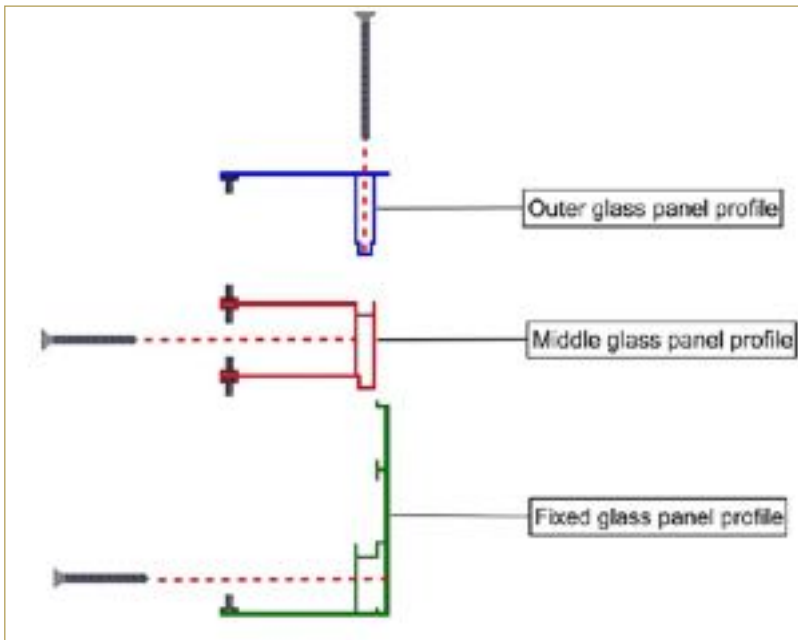
4.3. Placing of the fixed glass panel profile and motor outer cap profile



4.3.1. Side profiles installation

There are 3 different profiles on each side.

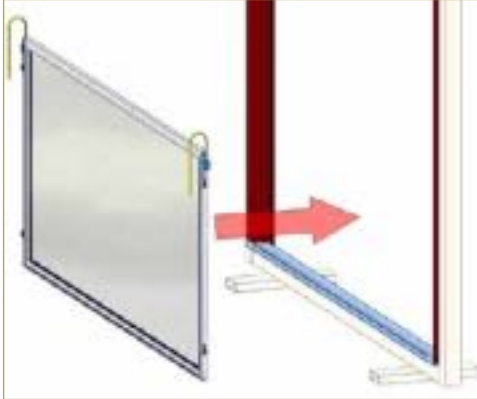
You can see a location on profiles at below.





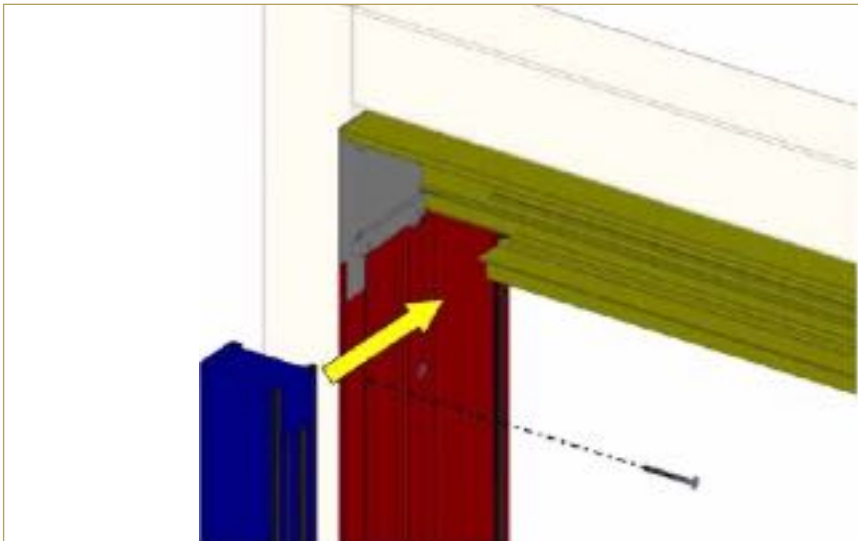
4.4. Outer Moveable Glass Panel Side Profiles and Glass Installation

After installed the outer moveable glass panel profile, place the glass panel.



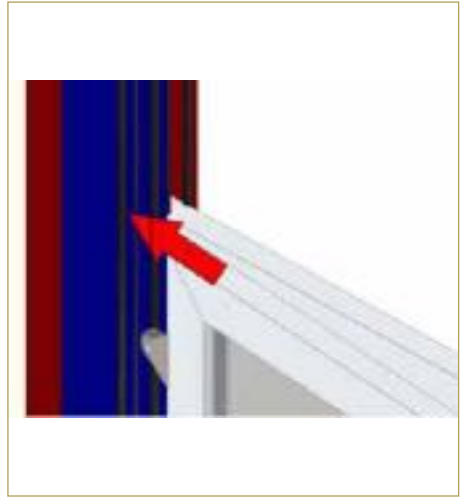
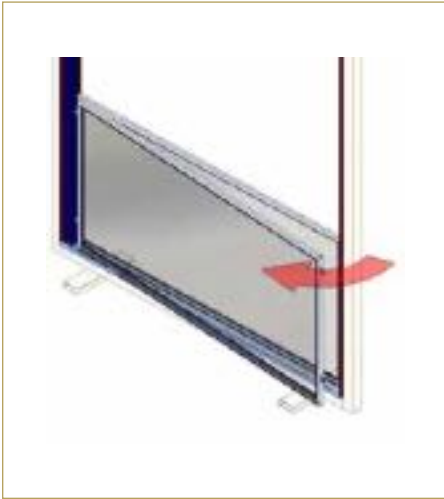
4.5. Middle glass profile installation

You should place middle glass panel profile only one side, other middle glass panel profile will be installed after the middle glass panel installation. Then fix it by M4,8x50mm self-drilling screw.

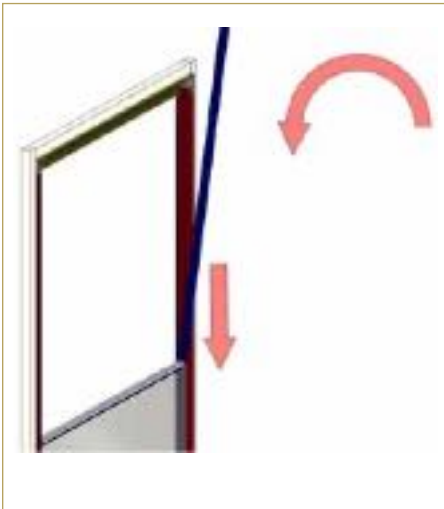


Place the middle moveable glass panel.

Rotate the glass panel then slide it to middle glass panel profile.

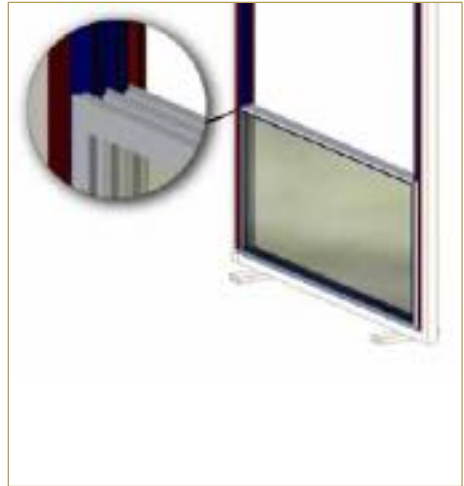
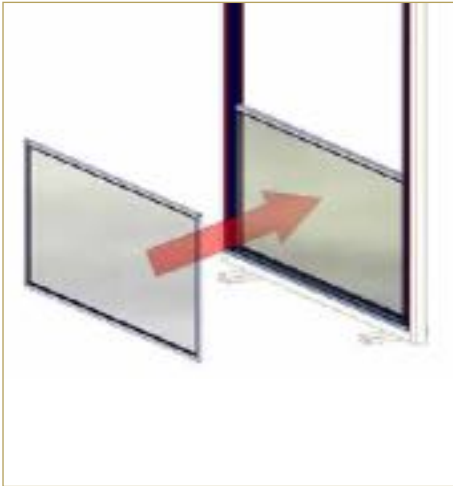


Place the other side middle glass panel profile as you see at below.

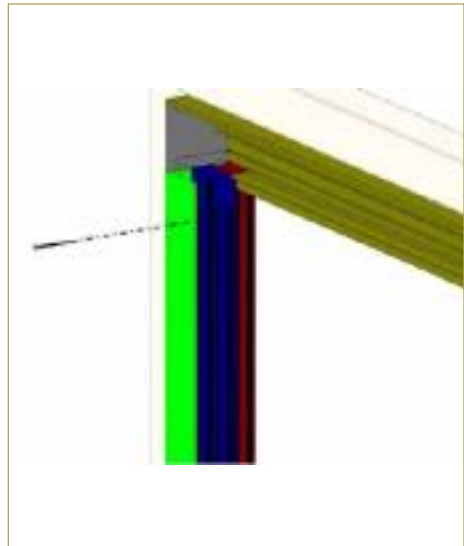
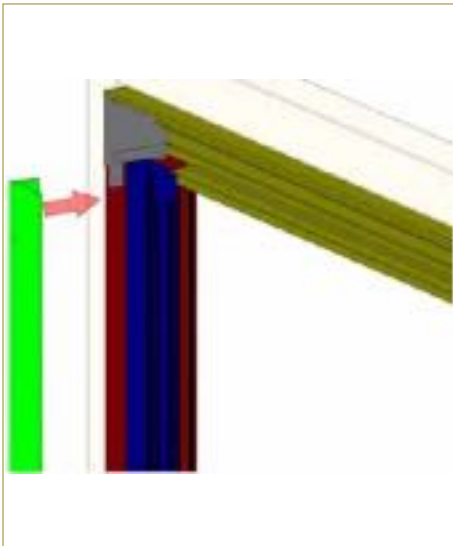


4.6. Fixed Glass Panel Profile and Glass Panel Installation

Place a fixed glass panel.



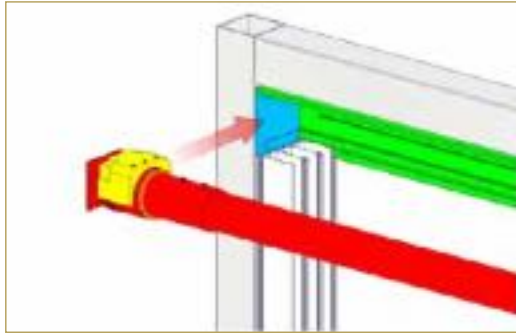
Then, fix the fixed glass panel profile and screw it by M4,8x70mm screw.



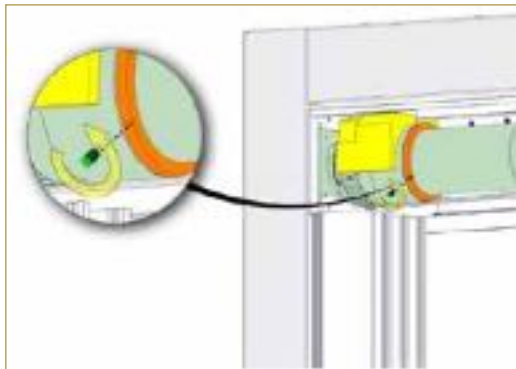


4.7. Motor tube installation

The motor tube is pre-installed on the factory. You can place and fasten by its bolt.



Loose the stay bolt and slide the ring.

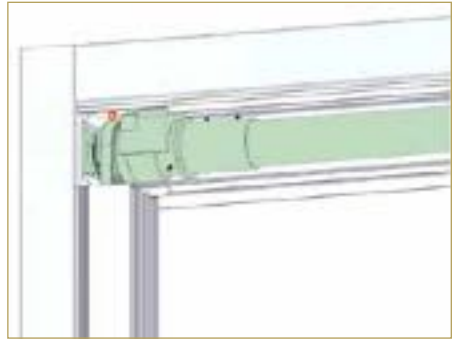
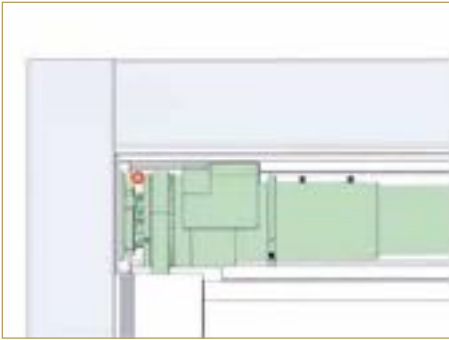


Then slide the belt housing support plastic.



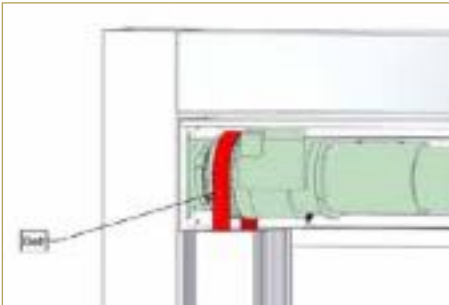
4.8. Cable output

According to the site available you can make a hole by M8 drill bit and remove the cable from hole. Motor is always on side. There is no Right or Left side concept. According to your main electricity you can rotate the motor tube.



4.9. Belt installation

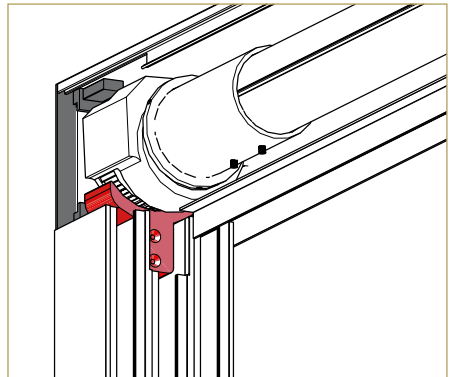
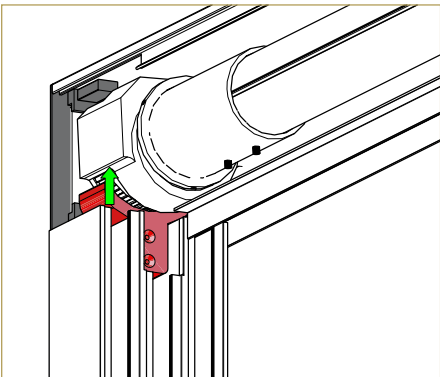
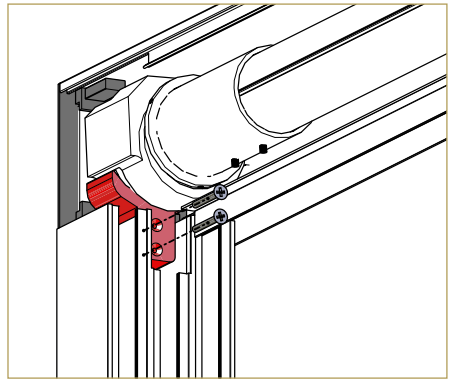
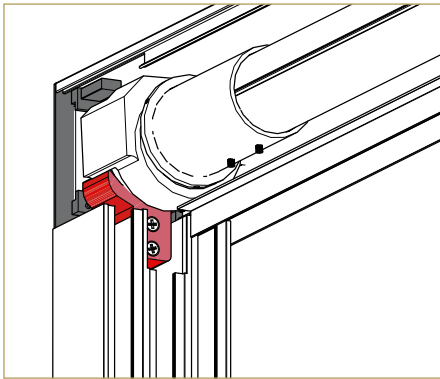
Sit the belt to the gear and slide belt housing plastic to its location.



Then re-locate the ring and fasten its stay bolt.

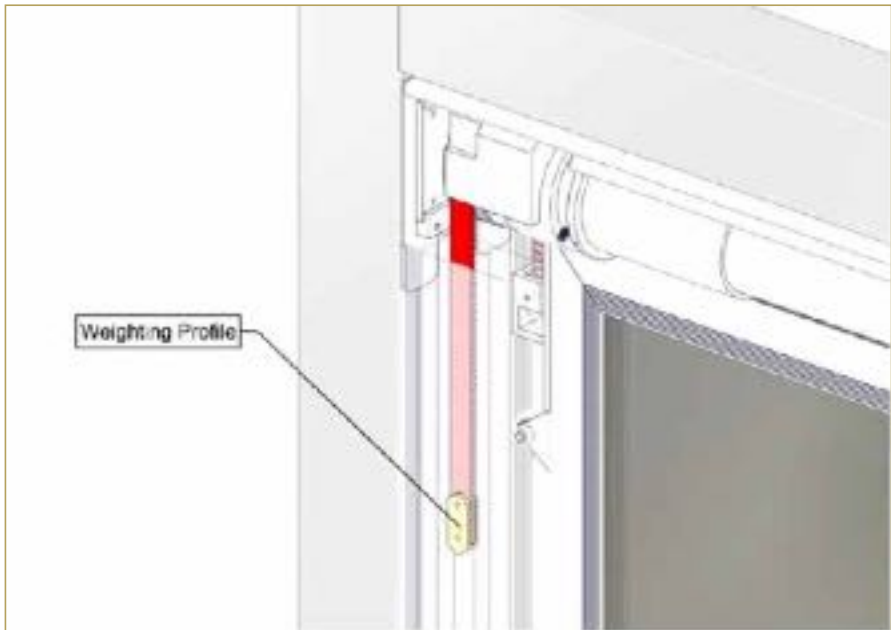


The belt has to be stretched, and leveled on both sides.
Therefore, checked the level on top side.



4.10. Weighting profile installation

The weighting profile must fix to the belt and also it has be located inside of the first channel on side profile.



4.11. Front outer cap installation

The front outer cap has a nail. It can fix to the profile.





4.12. Motor movement

Now, you can try to the system. For this, plug the motor cable to the main electricity then control by remote control.

4.13. Side profile cap installation

When the glass panels on top you can install the side profile cap profiles as you see at below.



5. PROGRAMMING / RESETTING OF MOTOR AND LIGHTS

5.1. Attention

The installation and initial setup procedures are the responsibility of a specialized technician. When awning system is mounted, check the connection of drive system connected to the motor as directly.

- All wiring must conform to NEC (National Electrical Code) and local codes.
- Power input: the power has to connect to the single motors.
- PALMIYE Reserves the right to void the motor warranty if wiring recommendations are not followed.
- The motor works 120VAC / 60Hz or 230VAC / 50Hz
- If the installation is made up of several RTS system, only one RTS system must be powered during programming. All other RTS systems must be disconnected. This will avoid interferences during the initial programming of each motor.
- Use only SOMFY RTS radio controls. The receiver (433,42 MHz) must be programmed with transmitters.

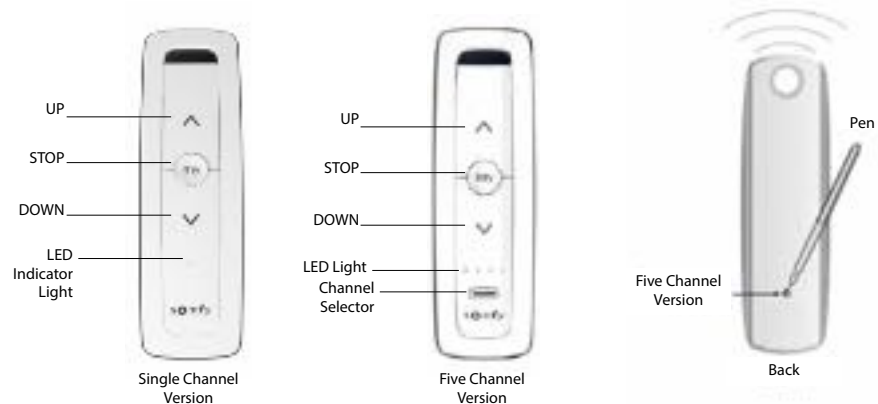
5.2. Remote Control Button Configurations

Motorized Adjustable is integrated with linear tube motor with radio control for opening, closing or stopping the fabric support profiles use the respective buttons (see figure).

There are a 4-type of remote control

Pure, Patio, Lounge, Modulis

- Situo 1 (has an only one channel. It means can control 1 RTS motor)
- Situo 5 (has a 5 channel. It means can control 5 different RTS motor)
- Telis 16 (has a 16 channel. It means can control 16 different RTS motor)



5.3. Remote Types



	Situo 1 RTS	Situo 5 RTS	TELIS 16
Channels	1	5	16
Battery Type	2430 Lithium		LR03AAA
Battery Voltage	3V		1,5 V
Thickness	22		18
Width	49		47
Height	145		151
Colour	Silver		Silver & Pure
Compatibility	Compatible with a range of Somfy RTS enabled products		
Radio Frequency	For indoor use		
Radio Range	433,42 MHz		
Protection Index	200m in open field or 20m through 2 reinforced concrete walls		
Working temperature	IP30		
Information	0C to + 60C		
Installation	Wall brackets supplied		



signal indicator

large screen LCD display

channel number

Product icon

low battery alert

Product name (up to 8 characters: 7 letters + 1 number)

selection button

Navigation arrows

up/down/ "my" button



E.g.: The screen in the office



E.g.: The roller shutter on the first floor



E.g.: The awning on the roof balcony



E.g.: All products in the house

5.4. Replacing The Battery



1. Using a small screwdriver loosen the screws on the reverse side of the remote control and remove the back cover.
2. Replace the battery with one 2430 Lithium 3V Battery.

5.5. Programming

Step 1: There isn't any control unit box at single motor products. Therefore, you are able to connect directly to electric power unit (120VAC / 60Hz or 230VAC / 50Hz). Notice the motor will not respond to any transmitter until a transmitter is assigned to communicate with the motor's receiver.

Step 2: Please select desired channel then to assign the transmitter to communicate with the motor's receiver, push the "UP" and "DOWN" buttons on the transmitter SIMULTANEOUSLY, motor will jog. The ALTUS RTS motor records the address of this transmitter, and only this activated transmitter can be recorded into the memory of the ALTUS motor.

Step 3: Check direction of operation. The "DOWN" button must correspond to BACK on the end-product. In the case of an awning, it will be closed. If the direction is wrong, change the direction by pressing "MY" button until the motor jogs (3 seconds)

Step 4: Stop the motor at the desired BACK limit position.

Step 5: To set the BACK limit, press the "MY" and "UP" buttons SIMULTANEOUSLY for more than 2 seconds. Release the buttons once the product begins to move towards front of the awning.

Step 6: Stop the motor at the desired FRONT limit position.

Step 7: To set the FRONT limit, press the "MY" and "DOWN" buttons SIMULTANEOUSLY for more than 2 seconds. Release the buttons once the product begins to move towards back of the awning

Step 8: Press "MY" button and the motor will stop.

Step 9: Press "MY" button CONSTANTLY until motor jogs to confirm the settings (5 seconds)

Step 10: Finally, press the "PROGRAMING BUTTON" on the back of the transmitter until the motor jogs (to leave the installation mode).

5.5.1. Resetting

Step 1: While provided power to ALTUS motor unplug for 2 seconds

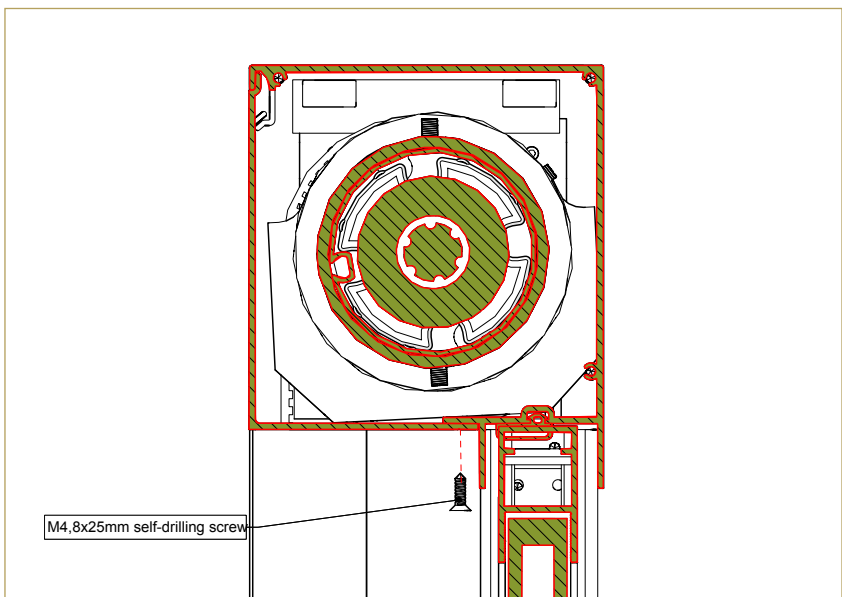
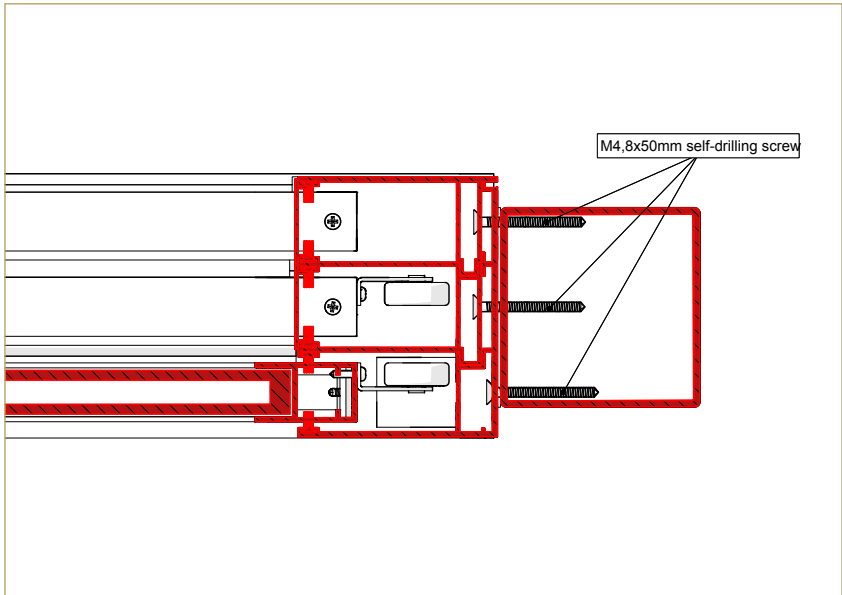
Step 2: Plug in 10 seconds

Step 3: Unplug 2 seconds

Step 4: Plug in 10 seconds, the ALTUS motor will jog briefly

Step 5: Press and hold the PROG button on the back of Remote Control for more than 7 seconds until the ALTUS motor jog briefly 2 times. This removes ALL memorized motor transmitters.

6. HARDWARE



7. TOOLS

Image	Product	Description	Product Code
	Palmiye T-Shirt	for Installation teams	HZM.ISG.G1009BRUT
	Palmiye Trousers	for Installation teams	HZM.ISG.G1014.BRUT
	Palmiye Waistcoat	for Installation teams	HZM.ISG.1013.BRUT
	Sealant NP1 Dark Brown	to block the passage of water through the surface or joints or openings in materials	HRD.KMY.C0018.KAHV
	Sealant NP1 Light Brown	to block the passage of water through the surface or joints or openings in materials	HRD.KMY.C0018.AKAH
	Sealant (Black)	to block the passage of water through the surface or joints or openings in materials	HRD.KMY.G0016.SYAH
	Sealant (White)	to block the passage of water through the surface or joints or openings in materials	HRD.KMY.G0017.BYAZ
	Sealant (Grey)	to block the passage of water through the surface or joints or openings in materials	HRD.KMY.G0022.GREY

INSTALLATION TOOL LIST

	Tool box with wheel	1 pc
	Spiral grinder	1 pc
	Batery driller.	1 pc
	Lighting	2 pc
	Extansion lead	2 pc
	Ladder	2 pc
	Tape measure 5m	1 pc
	Tape measure 10m	1 pc
	Water gauge	2 pc
	Laser Meter	1 pc
	35 cm angle	1 pc
	Allen wrench set	2 Set
	Screw driver	1 Set
	Plastic hammer	1 pc
	Cutter	1 pc

	<p>Slicon gun</p>	<p>2 pc</p>
	<p>Bits</p>	<p>2 Set</p>
	<p>PH2X100 Bits</p>	<p>2 pc</p>
	<p>APEX 493 A Bits</p>	<p>2 pc</p>

8. FREQUENTLY ASKED QUESTIONS

FAULT	REASON	HOW TO RESOLVE?
Glass panels are getting jammed while sliding.	There might be dirt on the rails.	Rails should be cleaned with the vacuum cleaner
	The wheels might be broken.	The authorized technical service should be contacted.
When the Glass Panels are closed, cold weather penetrates through the sides with the water ingress.	Horizontal gaskets might be broken	The authorized technical service should be contacted.
	The fixed profiles might have shifted from their place.	The authorized technical service should be contacted.
The aluminum part is excessively dirty.		This part must be cleaned (with liquid soap with no chemicals) other than cleaning agents which can scratch the detergent and paint
The horizontal lines of the casement are not parallel to each other, and the system is not getting fully closed.	There may be a maladjustment at casements.	The authorized technical service should be contacted.
I have a Moving Motorized Parapet and it gets jammed when opening or closing it	Balance might have been impaired during transmission	The authorized technical service should be contacted.
I have a Moving Motorized Parapet and its wings do not move	* The motor or the remote controller might have broken down. There might be something wrong with the remote controller's settings. The belt have broken.	The authorized technical service should be contacted.



www.palmiye.eu



PALMIYE
Four Seasons Outdoor Living Areas