



BIOCLIMATIC PERGOLA

SKYROOF

PRICE LIST / 2024

MADE FOR OUTDOOR LIFE



**MADE FOR
OUTDOOR
LIFE**

INDEX

02

SKYROOF PRESTIGE

06

SKYROOF PLUS

10

SKYROOF COMPACT

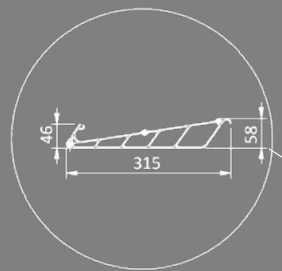
14

SKYROOF PLUS HANGING

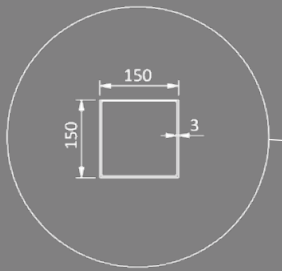
18

SKYROOF COMPACT HANGING

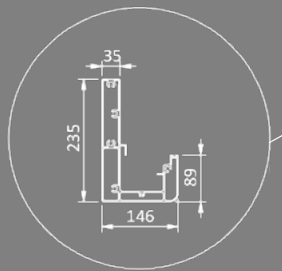
SKYROOF PRESTIGE



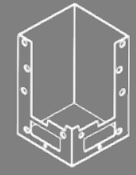
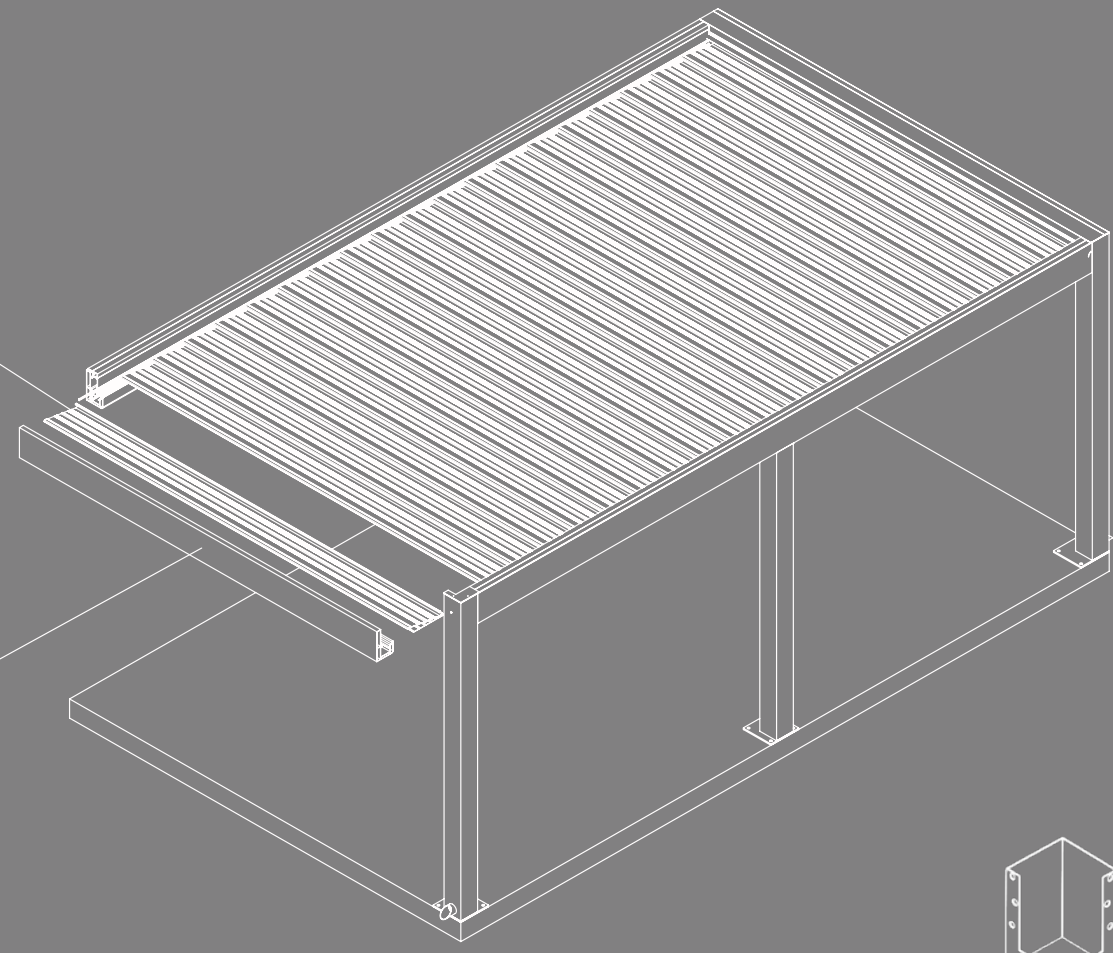
Panel



Pillar



Integrated Beam



Short Pillar

REQUIRED WATER DRAINAGE

NO OF PANEL	PROJECTION		WIDTH (cm)											
			200	225	250	275	300	325	350	375	400	425	450	
4	134,3 cm	1	1	1	1	1	1	1	1	1	1	1	1	1
5	162,15 cm	1	1	1	1	1	1	1	1	1	1	1	1	1
6	190 cm	1	1	1	1	1	1	1	1	1	1	1	1	1
7	217,85 cm	1	1	1	1	1	1	1	1	1	1	1	1	1
8	245,7 cm	1	1	1	1	1	1	1	1	1	1	1	1	1
9	273,55 cm	1	1	1	1	1	1	1	1	1	1	1	2	
10	301,4 cm	1	1	1	1	1	1	1	1	1	1	2	2	
11	329,25 cm	1	1	1	1	1	1	1	1	2	2	2		
12	357,1 cm	1	1	1	1	1	1	1	1	2	2	2		
13	384,95 cm	1	1	1	1	1	1	2	2	2	2			
14	412,8 cm	1	1	1	1	1	2	2	2	2	2			
15	440,65 cm	1	1	1	1	1	2	2	2	2	2			
16	468,5 cm	1	1	1	1	2	2	2	2	2	2			
17	496,35 cm	1	1	1	1	2	2	2	2	2	2			
18	524,2 cm	1	1	1	2	2	2	2	2	2	2			
19	552,05 cm	1	1	1	2	2	2	2	2	2	2			
20	579,9 cm	1	1	2	2	2	2	2	2	2	2			
21	607,75 cm	1	1	2	2	2	2	2	2	2	2			
22	635,6 cm	1	1	2	2	2	2	2	2	2	2			
23	663,45 cm	1	2	2	2	2	2	2	2	2	2			
24	691,3 cm	1	2	2	2	2	2	2	2	2	2			
25	719,15 cm	1	2	2	2	2	2	2	2	2	2			

WIND RESISTANCE

NO OF PANEL	PROJECTION		WIDTH (cm)												
			200	225	250	275	300	325	350	375	400	425	450		
4	134,3 cm	11	11	11	11	11	11	10	10	9	9	9			
5	162,15 cm	11	11	11	11	11	10	10	10	9	9	9			
6	190 cm	11	11	11	11	10	10	10	10	9	9	9			
7	217,85 cm	11	11	11	10	10	10	10	10	9	9	9			
8	245,7 cm	11	11	11	10	10	10	10	10	9	9	9			
9	273,55 cm	11	11	11	10	10	10	10	10	9	9	9			
10	301,4 cm	11	11	11	10	10	10	10	10	9	9	9			
11	329,25 cm	11	11	11	10	10	10	10	10	9	9	9			
12	357,1 cm	11	11	11	10	10	10	10	10	9	9	9			
13	384,95 cm	11	11	11	10	10	10	10	10	9	9	9			
14	412,8 cm	11	11	11	10	10	10	10	10	9	9	9			
15	440,65 cm	11	10	10	10	10	10	10	10	9	9	9			
16	468,5 cm	10	10	10	10	10	10	10	9	9	9	9			
17	496,35 cm	10	10	10	10	10	10	10	9	9	9	9			
18	524,2 cm	10	10	10	10	9	9	9	9	9	9	9			
19	552,05 cm	10	10	10	9	9	9	9	9	9	9	9			
20	579,9 cm	10	10	9	9	9	9	9	9	9	9	9			
21	607,75 cm	11	11	11	10	10	10	10	10	9	9	9			
22	635,6 cm	11	11	11	10	10	10	10	10	9	9	9			
23	663,45 cm	11	11	11	10	10	10	10	10	9	9	9			
24	691,3 cm	11	11	10	10	10	10	10	10	9	9	9			
25	719,15 cm	11	11	10	10	10	10	10	10	9	9	9			

NO OF PANEL	PROJECTION		WIDTH (cm)													
			200	225	250	275	300	325	350	375	400	425	450			
4	134,3 cm	11	11	11	11	11	11	10	10	9	9	9				
5	162,15 cm	11	11	11	11	11	10	10	10	9	9	9				
6	190 cm	11	11	11	11	10	10	10	10	9	9	9				
7	217,85 cm	11	11	11	10	10	10	10	10	9	9	9				
8	245,7 cm	11	11	11	10	10	10	10	10	9	9	9				
9	273,55 cm	11	11	11	10	10	10	10	10	9	9	9				
10	301,4 cm	10	10	10	9	9	9	9	9	8	8	8				
11	329,25 cm	10	10	10	9	9	9	9	9	8	8	8				
12	357,1 cm	10	10	10	9	9	9	9	9	8	8	8				
13	384,95 cm	10	10	10	9	9	9	9	9	8	8	8				
14	412,8 cm	10	10	10	9	9	9	9	9	8	8	8				
15	440,65 cm	9	9	9	9	9	9	9	8	8	8	8				
16	468,5 cm	9	9	9	9	9	9	9	8	8	8	8				
17	496,35 cm	9	9	9	9	9	8	8	8	8	8	8				
18	524,2 cm	9	9	9	9	8	8	8	8	8	8	8				
19	552,05 cm	9	9	9	8	8	8	8	8	8	8	8				
20	579,9 cm	8	8	8	8	8	8	8	8	8	8	8				
21	607,75 cm	10	10	10	10	9	9	9	9	9	9	9				
22	635,6 cm	10	10	10	10	9	9	9	9	9	9	9				
23	663,45 cm	10	10	10	10	9	9	9	9	9	9	9				
24	691,3 cm	10	10	10	10	9	9	9	9	9	9	9				
25	719,15 cm	10	10	10	10	9	9	9	9	9	9	9				

*The values are given according to the Beaufort scale.

**Calculated for Products with a front height of 300 cm according to Eurocode EN 1991-1-4 Terrain Category 4.

*** You can ask for new calculations for special designs.

*The values are given according to the Beaufort scale.

**Calculated for Products with a front height of 350 cm according to Eurocode EN 1991-1-4 Terrain Category 4.

*** You can ask for new calculations for special designs.

SNOW LOAD

NO OF PANEL	PROJECTION		WIDTH (cm)	
			200	450
4	134,3	375	280	
20	582,9	90	75	
21	607,75	244	173	
25	719,15	216	120	

* The values are given as kg/m² and are calculated for the units with a height of 300cm and without side closures.

NO OF PANEL	PROJECTION		WIDTH (cm)	
			200	450
4	134,3	350	198	
20	579,9	84	69	
21	607,75	225	131	
25	719,15	204	116	

* The values are given as kg/m² and are calculated for the units with a height of 350cm and without side closures.

SKYROOF PRESTIGE

FREESTANDING

WIDTH (cm)

PANEL	PROJECTION	200 cm	225 cm	250 cm	275 cm	300 cm	325 cm	350 cm	375 cm	400 cm	425 cm	450 cm
4	134,3 cm	€ 7.855	€ 8.063	€ 8.302	€ 8.534	€ 8.726	€ 8.988	€ 9.202	€ 9.427	€ 9.663	€ 9.899	€ 10.136
5	162,15 cm	€ 8.426	€ 8.673	€ 8.942	€ 9.207	€ 9.444	€ 9.729	€ 9.983	€ 10.243	€ 10.511	€ 10.779	€ 11.046
6	190 cm	€ 8.998	€ 9.283	€ 9.582	€ 9.880	€ 10.163	€ 10.471	€ 10.763	€ 11.059	€ 11.359	€ 11.658	€ 11.958
7	217,85 cm	€ 9.569	€ 9.893	€ 10.222	€ 10.553	€ 10.882	€ 11.213	€ 11.543	€ 11.874	€ 12.206	€ 12.539	€ 12.871
8	245,7 cm	€ 10.140	€ 10.503	€ 10.862	€ 11.226	€ 11.602	€ 11.954	€ 12.324	€ 12.690	€ 13.053	€ 13.415	€ 13.777
9	273,55 cm	€ 10.434	€ 10.815	€ 11.184	€ 11.568	€ 11.966	€ 12.330	€ 12.720	€ 13.098	€ 13.484	€ 13.869	€ 14.254
10	301,4 cm	€ 11.012	€ 11.430	€ 11.823	€ 12.244	€ 12.686	€ 13.087	€ 13.509	€ 13.909	€ 14.336	€ 14.762	€ 15.189
11	329,25 cm	€ 11.301	€ 11.744	€ 12.148	€ 12.586	€ 13.051	€ 13.478	€ 13.906	€ 14.318	€ 14.765	€ 15.212	€ 15.658
12	357,1 cm	€ 11.886	€ 12.351	€ 12.788	€ 13.263	€ 13.773	€ 14.244	€ 14.691	€ 15.130	€ 15.618	€ 16.107	€ 16.595
13	384,95 cm	€ 12.466	€ 12.961	€ 13.429	€ 13.946	€ 14.496	€ 15.008	€ 15.478	€ 15.943	€ 16.472	€ 17.000	€ 17.529
14	412,8 cm	€ 12.756	€ 13.270	€ 13.754	€ 14.294	€ 14.862	€ 15.395	€ 15.876	€ 16.356	€ 16.906	€ 17.455	€ 18.005
15	440,65 cm	€ 13.342	€ 13.885	€ 14.401	€ 14.981	€ 15.587	€ 16.161	€ 16.664	€ 17.171	€ 17.760	€ 18.351	€ 18.940
16	468,5 cm	€ 13.634	€ 14.195	€ 14.731	€ 15.329	€ 15.955	€ 16.549	€ 17.065	€ 17.583	€ 18.194	€ 18.805	€ 19.417
17	496,35 cm	€ 14.217	€ 14.809	€ 15.382	€ 16.018	€ 16.681	€ 17.317	€ 17.854	€ 18.399	€ 20.737	€ 21.642	€ 22.364
18	524,2 cm	€ 14.805	€ 15.425	€ 16.035	€ 16.708	€ 17.408	€ 18.084	€ 18.645	€ 20.902	€ 21.596	€ 22.291	€ 22.985
19	552,05 cm	€ 15.099	€ 15.737	€ 16.366	€ 17.059	€ 17.778	€ 18.475	€ 19.046	€ 21.319	€ 22.035	€ 22.751	€ 23.466
20	579,9 cm	€ 15.689	€ 16.353	€ 17.020	€ 17.750	€ 18.506	€ 19.244	€ 21.526	€ 22.139	€ 22.895	€ 23.651	€ 24.408
21	607,75 cm	€ 16.565	€ 17.245	€ 17.931	€ 18.680	€ 19.456	€ 20.215	€ 22.508	€ 23.136	€ 23.915	€ 24.693	€ 25.473
22	635,6 cm	€ 17.155	€ 17.864	€ 18.587	€ 19.373	€ 20.186	€ 22.675	€ 23.305	€ 23.959	€ 24.778	€ 25.597	€ 26.416
23	663,45 cm	€ 17.457	€ 18.179	€ 18.920	€ 19.725	€ 20.558	€ 23.068	€ 23.710	€ 24.377	€ 25.217	€ 26.058	€ 26.899
24	691,3 cm	€ 18.048	€ 18.797	€ 19.577	€ 20.421	€ 22.978	€ 23.843	€ 24.507	€ 25.202	€ 26.084	€ 26.966	€ 27.847
25	719,15 cm	€ 18.639	€ 19.416	€ 20.235	€ 21.117	€ 23.298	€ 24.617	€ 25.304	€ 26.027	€ 26.950	€ 27.873	€ 28.797

BP1-BW	Covering	€ 40	€ 40	€ 40	€ 40	€ 40	€ 40	€ 40	€ 40	€ 40	€ 40	€ 40
BP2-BW	Wall Bracket	€ 105	€ 105	€ 105	€ 105	€ 105	€ 157	€ 157	€ 157	€ 157	€ 157	€ 157
Number Of Wall Bracket		2 pcs					3 pcs					

BP1-BW	Wall Covering Profile
BP2-BW	Wall Bracket (Plus & Prestige)
BP1-BP	Wall Covering Profile
BP2-BP	Wall Bracket (Plus & Prestige)

BP1-BP	BP2-BP	
Covering	Wall Bracket	
€ 40	€ 105	2 pcs
€ 40	€ 105	
€ 40	€ 105	3 pcs
€ 40	€ 105	
€ 40	€ 105	
€ 40	€ 157	4 pcs
€ 40	€ 157	
€ 40	€ 157	
€ 40	€ 157	
€ 40	€ 210	5 pcs
€ 40	€ 210	
€ 40	€ 210	
€ 40	€ 210	
€ 40	€ 210	
€ 80	€ 262	
€ 80	€ 262	
€ 80	€ 262	

OPTIONS

BP4	Perimeter LED	€ 78	lm
BP4-RGB	Perimeter RGB LED	€ 86	lm
BP4-RGBWW	Perimeter RGBWW LED	€ 97	lm
BP5-B	Extra Pillar (150x150x3 mm - Al)	€ 380	set
BP7	Polyurethan foam	€ 138	m ²
FS19	Fix louver	€ 67	lm
FS29-1	Sun Sensor (SUNIS)	€ 570	pcs
FS29-2	Wind Sensor (EOLIS RTS)	€ 267	pcs
FS29-3	Sun and Wind Sensor (SOLIRIS RTS)	€ 302	pcs
FS29-4⁸	Rain Sensor (ONDEIS)	€ 524	pcs
FS30	CONNEXOON	€ 479	pcs
BP13⁷	Inner aluminium drainage set on steel pillars	€ 256	set
BP14-P1	Hidden Anchorage set for Plus - Prestige (with drainage)	€ 108	set
BP14-P2	Hidden Anchorage set for Plus - Prestige (without drainage)	€ 55	set

STEEL CONSTRUCTION

Beam Group		
150x150x3mm St	€ 407	lm
150x150x5mm St	€ 569	lm
150x150x6mm St	€ 673	lm
150x200x3mm St	€ 475	lm
150x200x5mm St	€ 714	lm
150x200x6mm St	€ 846	lm
150x250x6mm St	€ 975	lm
150x250x8mm St	€ 1.333	lm
200x200x6mm St	€ 974	lm
200x300x6mm St	€ 1.233	lm
200x300x8mm St	€ 1.677	lm

Pillar Group		
150x150x3mm St	€ 645	set
150x150x5mm St	€ 1.140	set
200x200x6mm St	€ 1.650	set

* For more steel sections, please refer to our component list.

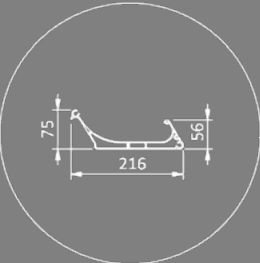
NOTES:

1. If projection is bigger than 579,9cm (20th panel), an additional pillar is required on each side. It is included in the price.
2. For wall installations, 3 cm must be added to the projection size.
3. For ceiling installations, 16 cm must be added to the projection size.
4. Palmiye Aluminium Coating Catalogue includes the standard colours with no extra cost. For any other type/brand/color of paint, price difference and additional delivery duration shall be checked from your customer representative.
5. Support pillar deduction can apply only when supported by wall bracket or steel application.
6. If rain sensor is needed; For single product, a Dry contact transmitter which costs 346€, must be added to the price. For up to 5 products, a RS485 Automation interface Dry contact transmitter which costs 1057€ must be added to the price.
7. Water outlets can be optionally given through the steel pillars.
8. The corner pillars can be moved max. 50cm.
9. For wall installed products, a wall bracket is required in every 150cm.

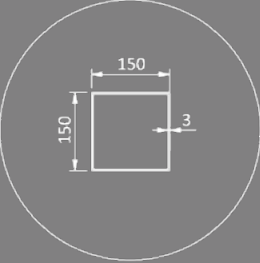
DEDUCTION

1. Deduction to short pillar -€48
2. Support pillar deduction cost is -€373

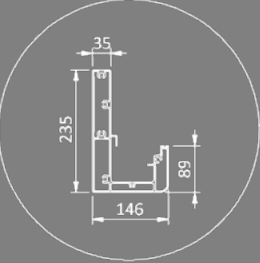
SKYROOF PLUS



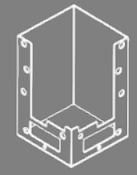
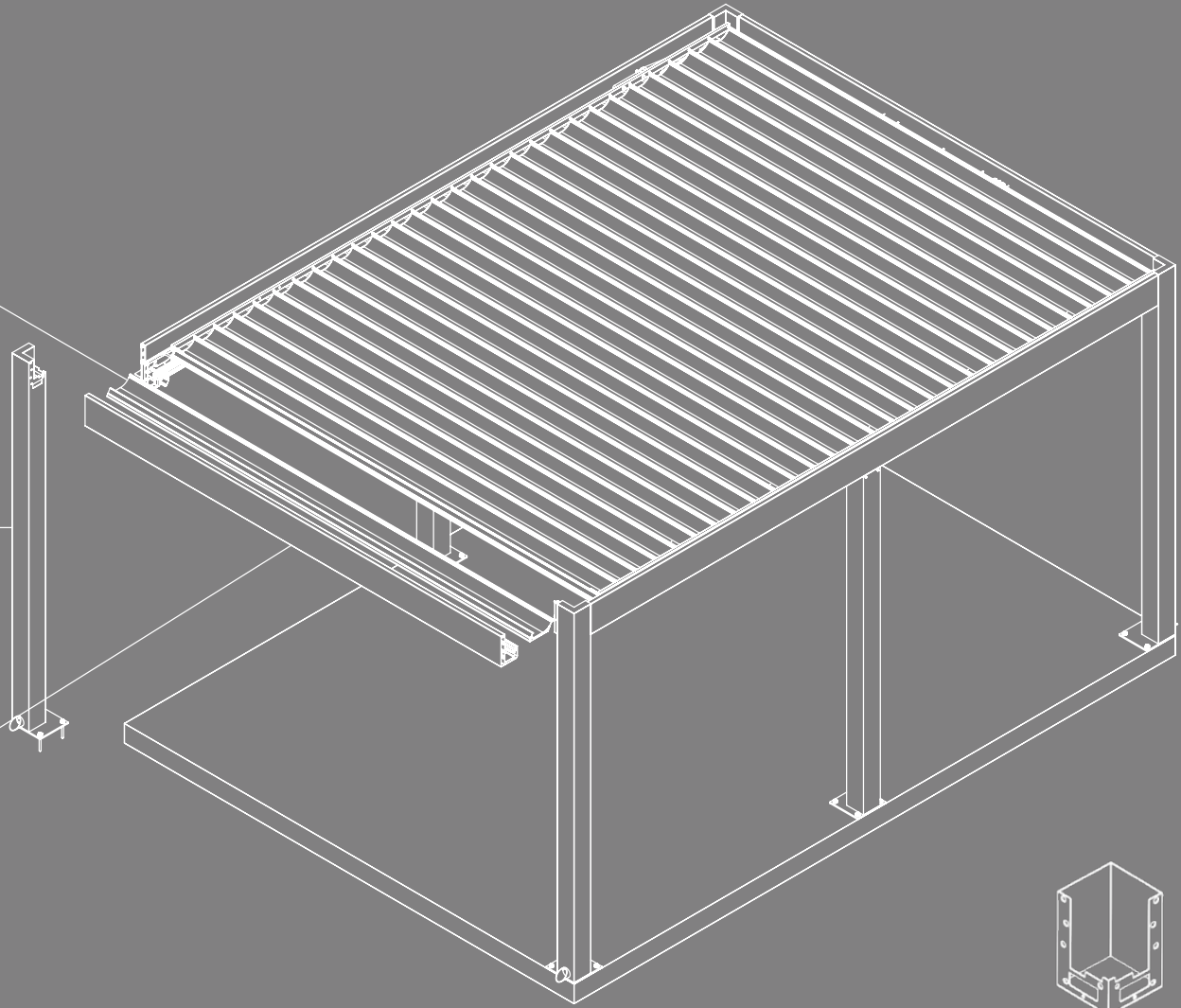
Panel



Pillar



Integrated Beam



Short pillar

REQUIRED WATER DRAINAGE

NO OF PANEL	PROJECTION	WIDTH (cm)										
		200	225	250	275	300	325	350	375	400	425	450
11	218,2 cm	1	1	1	1	1	1	1	1	1	1	1
12	235,8 cm	1	1	1	1	1	1	1	1	1	1	1
13	253,4 cm	1	1	1	1	1	1	1	1	1	1	1
14	271,0 cm	1	1	1	1	1	1	1	1	1	1	1
15	288,6 cm	1	1	1	1	1	1	1	1	1	1	1
16	306,2 cm	1	1	1	1	1	1	1	1	1	1	2
17	323,8 cm	1	1	1	1	1	1	1	1	1	2	2
18	341,4 cm	1	1	1	1	1	1	1	1	2	2	2
19	359,0 cm	1	1	1	1	1	1	1	2	2	2	2
20	376,6 cm	1	1	1	1	1	1	2	2	2	2	2
21	394,2 cm	1	1	1	1	1	2	2	2	2	2	2
22	411,8 cm	1	1	1	1	1	2	2	2	2	2	2
23	429,4 cm	1	1	1	1	2	2	2	2	2	2	2
24	447,0 cm	1	1	1	1	2	2	2	2	2	2	2
25	464,6 cm	1	1	1	2	2	2	2	2	2	2	2
26	482,2 cm	1	1	1	2	2	2	2	2	2	2	2
27	499,8 cm	1	1	2	2	2	2	2	2	2	2	2
28	517,4 cm	1	1	2	2	2	2	2	2	2	2	2
29	535,0 cm	1	1	2	2	2	2	2	2	2	2	2
30	552,6 cm	1	1	2	2	2	2	2	2	2	2	2
31	570,2 cm	1	1	2	2	2	2	2	2	2	2	2
32	587,8 cm	1	1	2	2	2	2	2	2	2	2	2
33	605,4 cm	1	2	2	2	2	2	2	2	2	3	3
34	623,0 cm	1	2	2	2	2	2	2	2	2	3	3
35	640,6 cm	1	2	2	2	2	2	2	2	3	3	3
36	658,2 cm	1	2	2	2	2	2	2	2	3	3	3
37	675,8 cm	1	2	2	2	2	2	2	2	3	3	3
38	693,4 cm	2	2	2	2	2	2	2	2	3	3	3
39	711,0 cm	2	2	2	2	2	2	2	3	3	3	3
40	728,6 cm	2	2	2	2	2	2	2	3	3	3	3
41	746,2 cm	2	2	2	2	2	2	3	3	3	3	3
42	763,8 cm	2	2	2	2	2	2	3	3	3	3	3
43	781,4 cm	2	2	2	2	2	3	3	3	3	3	3
44	799,0 cm	2	2	2	2	2	3	3	3	3	3	3

WIND RESISTANCE

NO OF PANEL	PROJECTION	WIDTH (cm)	
		250	450
8	165,4	11	9
32	587,8	10	9
33	605,4	11	9
44	799	10	9

* The values are given according to the Beaufort scale.
 ** Calculated for Products with a front height of 300 cm according to Eurocode EN 1991-1-4 Terrain Category 4.
 *** You can ask for new calculations for special designs.

NO OF PANEL	PROJECTION	WIDTH (cm)	
		250	450
8	165,4	11	9
32	587,8	9	8
33	605,4	10	9
44	799	10	8

* The values are given according to the Beaufort scale.
 ** Calculated for Products with a front height of 300 cm according to Eurocode EN 1991-1-4 Terrain Category 4.
 *** You can ask for new calculations for special designs.

SNOW LOAD

NO OF PANEL	PROJECTION	WIDTH (cm)	
		200	450
11	218	336	228
32	588	84	64
33	605	245	151
44	799	219	123

* The values are given as kg/m² and are calculated for the units with a height of 300 cm and without side closures.

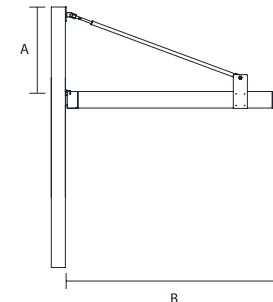
NO OF PANEL	PROJECTION	WIDTH (cm)	
		200	450
11	218	308	204
32	588	79	60
33	605	229	147
44	799	195	120

* The values are given as kg/m² and are calculated for the units with a height of 300 cm and without side closures.

MINIMUM "A" VALUES

For hanging options

B (cm)	150 - 359	359 - 450	> 450
A (cm)	50	100	120



SKYROOF PLUS

PANEL	FREESTANDING												BP1-BP		BP2-BP	
	PROJECTION	WIDTH (cm)											Covering	Wall Bracket		
		200 cm	225 cm	250 cm	275 cm	300 cm	325 cm	350 cm	375 cm	400 cm	425 cm	450 cm				
11	218,2 cm	€ 8.854	€ 9.147	€ 9.445	€ 9.745	€ 10.044	€ 10.342	€ 10.640	€ 10.939	€ 11.237	€ 11.537	€ 11.835	€ 52	€ 105	2 pcs	
12	235,8 cm	€ 9.110	€ 9.424	€ 9.739	€ 10.052	€ 10.372	€ 10.680	€ 10.994	€ 11.309	€ 11.622	€ 11.934	€ 12.247	€ 52	€ 105		
13	253,4 cm	€ 9.377	€ 9.705	€ 10.030	€ 10.360	€ 10.701	€ 11.019	€ 11.352	€ 11.683	€ 12.009	€ 12.338	€ 12.668	€ 52	€ 105	2 pcs	
14	271 cm	€ 9.641	€ 9.987	€ 10.322	€ 10.669	€ 11.029	€ 11.357	€ 11.711	€ 12.051	€ 12.398	€ 12.740	€ 13.087	€ 52	€ 105		
15	288,6 cm	€ 9.903	€ 10.268	€ 10.613	€ 10.977	€ 11.357	€ 11.696	€ 12.070	€ 12.420	€ 12.785	€ 13.142	€ 13.506	€ 52	€ 105	2 pcs	
16	306,2 cm	€ 10.169	€ 10.550	€ 10.905	€ 11.285	€ 11.686	€ 12.048	€ 12.428	€ 12.789	€ 13.172	€ 13.545	€ 13.925	€ 52	€ 157		
17	323,8 cm	€ 10.431	€ 10.831	€ 11.197	€ 11.594	€ 12.014	€ 12.400	€ 12.785	€ 13.157	€ 13.560	€ 13.947	€ 14.344	€ 52	€ 157	3 pcs	
18	341,4 cm	€ 10.697	€ 11.113	€ 11.488	€ 11.902	€ 12.343	€ 12.750	€ 13.142	€ 13.526	€ 13.947	€ 14.349	€ 14.763	€ 52	€ 157		
19	359 cm	€ 10.962	€ 11.384	€ 11.780	€ 12.210	€ 12.671	€ 13.097	€ 13.499	€ 13.895	€ 14.334	€ 14.751	€ 15.182	€ 52	€ 157	3 pcs	
20	376,6 cm	€ 11.223	€ 11.661	€ 12.071	€ 12.519	€ 13.000	€ 13.444	€ 13.856	€ 14.263	€ 14.721	€ 15.153	€ 15.601	€ 52	€ 157		
21	394,2 cm	€ 11.490	€ 11.939	€ 12.363	€ 12.831	€ 13.328	€ 13.791	€ 14.213	€ 14.632	€ 15.108	€ 15.556	€ 16.020	€ 52	€ 157	3 pcs	
22	411,8 cm	€ 11.751	€ 12.217	€ 12.655	€ 13.142	€ 13.657	€ 14.138	€ 14.570	€ 15.001	€ 15.495	€ 15.958	€ 16.439	€ 52	€ 157		
23	429,4 cm	€ 12.018	€ 12.495	€ 12.946	€ 13.454	€ 13.985	€ 14.485	€ 14.927	€ 15.370	€ 15.882	€ 16.360	€ 16.858	€ 52	€ 157	3 pcs	
24	447 cm	€ 12.283	€ 12.774	€ 13.241	€ 13.766	€ 14.314	€ 14.832	€ 15.284	€ 15.738	€ 16.269	€ 16.762	€ 18.819	€ 52	€ 157		
25	464,6 cm	€ 12.544	€ 13.052	€ 13.536	€ 14.077	€ 14.642	€ 15.178	€ 15.641	€ 16.107	€ 16.657	€ 17.164	€ 19.237	€ 52	€ 210	4 pcs	
26	482,2 cm	€ 12.810	€ 13.330	€ 13.831	€ 14.389	€ 14.971	€ 15.525	€ 15.998	€ 16.476	€ 18.586	€ 19.108	€ 19.656	€ 52	€ 210		
27	499,8 cm	€ 13.072	€ 13.608	€ 14.126	€ 14.701	€ 15.299	€ 15.872	€ 16.355	€ 16.844	€ 18.973	€ 19.511	€ 20.075	€ 52	€ 210	4 pcs	
28	517,4 cm	€ 13.338	€ 13.886	€ 14.421	€ 15.013	€ 15.628	€ 16.219	€ 16.712	€ 17.213	€ 19.360	€ 19.913	€ 20.494	€ 52	€ 210		
29	535 cm	€ 13.604	€ 14.165	€ 14.716	€ 15.324	€ 15.956	€ 16.566	€ 17.069	€ 19.124	€ 19.747	€ 20.315	€ 20.913	€ 52	€ 210	4 pcs	
30	552,6 cm	€ 13.866	€ 14.443	€ 15.011	€ 15.636	€ 16.285	€ 16.913	€ 17.426	€ 19.492	€ 20.134	€ 20.717	€ 21.332	€ 52	€ 210		
31	570,2 cm	€ 14.132	€ 14.721	€ 15.306	€ 15.948	€ 16.613	€ 17.260	€ 17.783	€ 19.861	€ 20.521	€ 21.120	€ 21.751	€ 52	€ 210	5 pcs	
32	587,8 cm	€ 14.398	€ 14.999	€ 15.601	€ 16.259	€ 16.942	€ 17.607	€ 19.682	€ 20.230	€ 20.908	€ 21.522	€ 22.170	€ 52	€ 210		
33	605,4 cm	€ 15.193	€ 15.807	€ 16.425	€ 17.101	€ 17.800	€ 18.483	€ 20.568	€ 21.128	€ 21.825	€ 22.453	€ 23.119	€ 104	€ 262	5 pcs	
34	623 cm	€ 15.459	€ 16.085	€ 16.720	€ 17.412	€ 18.128	€ 20.372	€ 20.925	€ 21.497	€ 22.212	€ 22.856	€ 23.538	€ 104	€ 262		
35	640,6 cm	€ 15.725	€ 16.363	€ 17.015	€ 17.724	€ 18.457	€ 20.719	€ 21.282	€ 21.865	€ 22.599	€ 23.258	€ 23.957	€ 104	€ 262	5 pcs	
36	658,2 cm	€ 15.991	€ 16.642	€ 17.310	€ 18.036	€ 18.785	€ 21.066	€ 21.639	€ 22.234	€ 22.986	€ 23.660	€ 24.376	€ 104	€ 262		
37	675,8 cm	€ 16.256	€ 16.920	€ 17.605	€ 18.348	€ 20.655	€ 21.413	€ 21.996	€ 22.603	€ 23.374	€ 24.062	€ 24.795	€ 104	€ 262	5 pcs	
38	693,4 cm	€ 16.522	€ 17.198	€ 17.900	€ 18.659	€ 20.984	€ 21.760	€ 22.353	€ 22.971	€ 23.761	€ 24.465	€ 25.214	€ 104	€ 262		
39	711 cm	€ 16.788	€ 17.476	€ 18.195	€ 18.971	€ 21.312	€ 22.107	€ 22.710	€ 23.340	€ 24.148	€ 24.867	€ 25.633	€ 104	€ 262	5 pcs	
40	728,6 cm	€ 17.054	€ 17.754	€ 18.490	€ 20.825	€ 21.641	€ 22.454	€ 23.067	€ 23.709	€ 24.535	€ 25.269	€ 26.052	€ 104	€ 262		
41	746,2 cm	€ 17.320	€ 18.033	€ 18.785	€ 21.136	€ 21.969	€ 22.800	€ 23.424	€ 24.077	€ 24.922	€ 25.671	€ 26.471	€ 104	€ 262	6 pcs	
42	763,8 cm	€ 17.585	€ 18.311	€ 19.080	€ 21.448	€ 22.298	€ 23.147	€ 23.781	€ 24.446	€ 25.309	€ 26.073	€ 26.890	€ 104	€ 321		
43	781,4 cm	€ 17.851	€ 18.589	€ 19.375	€ 21.760	€ 22.626	€ 23.494	€ 24.138	€ 24.815	€ 25.696	€ 26.476	€ 27.309	€ 104	€ 321	6 pcs	
44	799 cm	€ 18.117	€ 18.867	€ 19.670	€ 22.071	€ 22.955	€ 23.841	€ 24.495	€ 25.184	€ 26.083	€ 26.878	€ 27.728	€ 104	€ 321		
BP1-AW	Covering	€ 52	€ 52	€ 52	€ 52	€ 52	€ 52	€ 52	€ 52	€ 52	€ 52	€ 52				
BP2-BW	Wall Bracket	€ 105	€ 105	€ 105	€ 105	€ 105	€ 157	€ 157	€ 157	€ 157	€ 157	€ 157				
Number of wall bracket		2 pcs					3 pcs									

OPTIONS

BP3-A	2 Linear LED	€ 220	modul
BP3-A-RGB	2 Linear RGB LED	€ 279	modul
BP3-B	3 Linear LED	€ 286	modul
BP3-B-RGB	3 Linear RGB LED	€ 363	modul
BP4	Perimeter LED	€ 78	lm
BP4-RGB	Perimeter RGB LED	€ 86	lm
BP4-RGBWW	Perimeter RGBWW LED	€ 97	lm
BP5-B	Extra Pillar (150x150x3 mm - Al)	€ 380	set
BP7	Polyurethan foam	€ 138	m ²
FS19	Fix louver	€ 67	lm
BP8	Sun Sensor (SUNIS) (with Universal Receiver RTS)	€ 903	pcs
BP9	Wind Sensor (EOLIS RTS) (with Universal Receiver RTS)	€ 600	pcs
BP10	Sun and Wind Sensor (SOLIRIS RTS) (with Universal Receiver RTS)	€ 635	pcs
BP11⁸	Rain Sensor (ONDEIS) (with Universal Receiver RTS)	€ 857	pcs
FS30	CONNEXOON	€ 479	pcs
BP12-P1⁹	Hanging (Right or Left Side)	€ 654	set
BP12-P2⁹	Hanging (Front)	€ 645	set
BP12-P3⁹	Hanging (Module)	€ 736	set
BP13¹⁰	Inner aluminium drainage set on steel pillars	€ 256	set
BP14-P¹	Hidden Anchorage set for Plus - Prestige (with drainage)	€ 108	set
BP14-P²	Hidden Anchorage set for Plus - Prestige (without drainage)	€ 55	set

STEEL CONSTRUCTION

Beam Group		
150x150x3mm St	€ 407	lm
150x150x5mm St	€ 569	lm
150x150x6mm St	€ 673	lm
150x200x3mm St	€ 475	lm
150x200x5mm St	€ 714	lm
150x200x6mm St	€ 846	lm
150x250x6mm St	€ 975	lm
150x250x8mm St	€ 1.333	lm
200x200x6mm St	€ 974	lm
200x300x6mm St	€ 1.233	lm
200x300x8mm St	€ 1.677	lm

Pillar Group

150x150x3mm St	€ 645	set
150x150x5mm St	€ 1.140	set
200x200x6mm St	€ 1.650	set

* For more steel sections, please refer to our component list.

BP1-AW	Covering Z bending for width side
BP2-BW	Wall Bracket (Plus & Prestige)
BP1-AP	Covering Z bending for projection side
BP2-BP	Wall Bracket (Plus & Prestige)

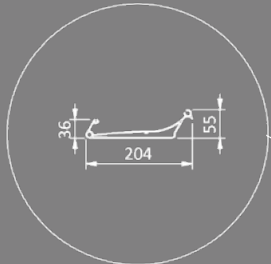
NOTES:

1. If projection is bigger than 587,8 cm (32th panel), an additional pillar is required on each side. It is included in the price.
2. For wall installations, 3 cm must be added to the projection size.
3. For ceiling installations, 16 cm must be added to the projection size.
4. Palmiye Aluminium Coating Catalogue includes the standard colours with no extra cost. For any other type/brand/color of paint, price difference and additional delivery duration shall be checked from your customer representative.
5. Support pillar deduction can apply only when supported by wall bracket or steel application.
6. If rain sensor is needed; For single product, a Dry contact transmitter which costs 346€, must be added to the price. For up to 5 products, a RS485 Automation interface Dry contact transmitter which costs 1057€ must be added to the price.
7. For available sizes please refer to related hanging models.
8. Water outlets can be optionally given through the steel pillars.
9. The corner pillars can be moved max. 50cm.
10. Hanging models can be made as wall/ceiling connections, cannot be freestanding. If projection is in the range of 359 cm – 447cm, a hanging pipe is applied to the front gutter beam of the product. In this case, 2 pipes should be applied in each direction. Additional pipes should be priced from option price. For projections more than 447cm, the maximum projection is determined according to the pipe profile length. The maximum pipe profile length can not be more than 600 cm. A middle hanging pipe will be used only in projection sizes after 450cm.
11. For wall installed products, a wall bracket is required in every 150cm.

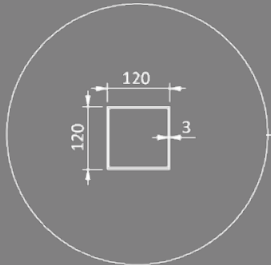
DEDUCTION

1. Deduction to short pillar -€48
2. Support pillar deduction cost is -€373

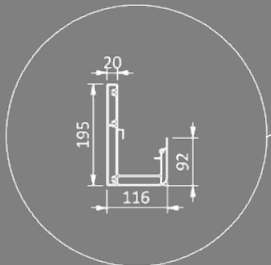
SKYROOF COMPACT



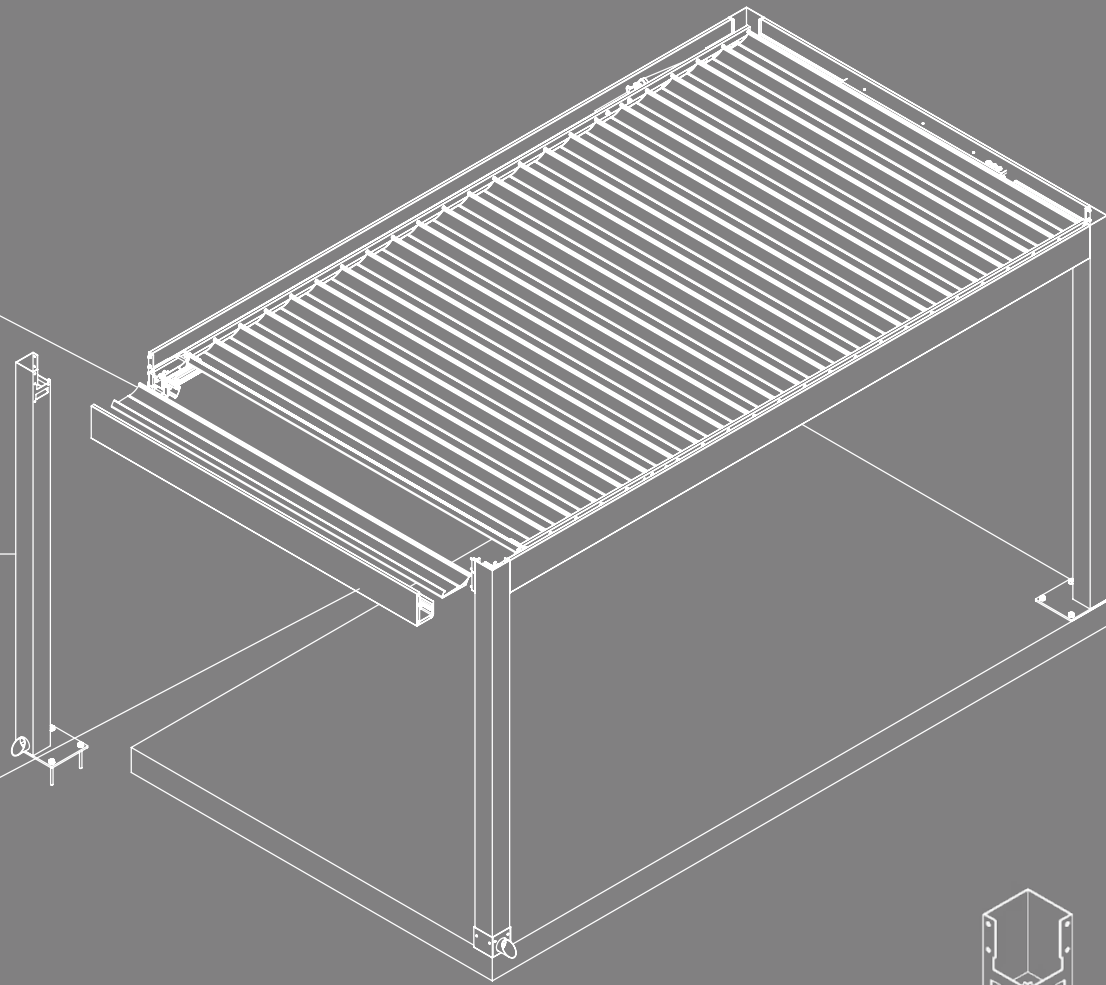
Panel



Pillar



Integrated Beam



Short pillar

REQUIRED WATER DRAINAGE

NO OF PANEL	PROJECTION	WIDTH (cm)						
		150	200	250	300	350	375	400
8	160,3 cm	1	1	1	1	1	1	1
9	177,9 cm	1	1	1	1	1	1	1
10	195,5 cm	1	1	1	1	1	1	1
11	213,1 cm	1	1	1	1	1	1	1
12	230,7 cm	1	1	1	1	1	1	1
13	248,3 cm	1	1	1	1	1	1	1
14	265,9 cm	1	1	1	1	1	1	1
15	283,5 cm	1	1	1	1	1	1	1
16	301,1 cm	1	1	1	1	1	1	2
17	318,7 cm	1	1	1	1	1	1	2
18	336,3 cm	1	1	1	1	1	1	2
19	353,9 cm	1	1	1	1	1	2	2
20	371,5 cm	1	1	1	1	1	2	2
21	389,1 cm	1	1	1	1	1	2	2
22	406,7 cm	1	1	1	1	2	2	2
23	424,3 cm	1	1	1	1	2	2	2
24	441,9 cm	1	1	1	1	2	2	2
25	459,5 cm	1	1	1	2	2	2	2
26	477,1 cm	1	1	1	2	2	2	2
27	494,7 cm	1	1	1	2	2	2	2
28	512,3 cm	1	1	2	2	2	2	2
29	529,9 cm	1	1	2	2	2	2	2
30	547,5 cm	1	1	2	2	2	2	2
31	565,1 cm	1	2	2	2	2	2	2
32	582,7 cm	1	2	2	2	2	2	2
33	600,3 cm	1	2	2	2	2	2	2

WIND RESISTANCE

NO OF PANEL	PROJECTION	WIDTH (cm)	
		150	400
8	160,3	9	6
33	600,3	6	5

*The values are given according to the Beaufort scale.
 ** Calculated for Products with a front height of 300 cm according to Eurocode EN 1991-1-4 Terrain Category 4.
 *** You can ask for new calculations for special designs.

SNOW LOAD

NO OF PANEL	PROJECTION	WIDTH (cm)	
		150	400
8	160,3	199	150
33	600,3	42	31

* The values are given as kg/m² and are calculated for the units with a height of 300cm and without side closures.

NO OF PANEL	PROJECTION	WIDTH (cm)	
		150	400
8	160,3	9	6
33	600,3	6	5

* The values are given according to the Beaufort scale.
 ** Calculated for Products with a front height of 300 cm according to Eurocode EN 1991-1-4 Terrain Category 4.
 *** You can ask for new calculations for special designs.

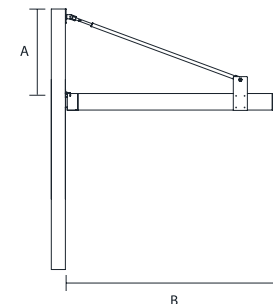
NO OF PANEL	PROJECTION	WIDTH (cm)	
		150	400
11	160,3	189	350
33	600,3	41	29

* The values are given as kg/m² and are calculated for the units with a height of 350cm and without side closures.

MINIMUM "A" VALUES

For hanging options

B (cm)	150 - 353,9	353,9 - 441,9	> 441,9
A (cm)	50	100	120



SKYROOF COMPACT

PANEL	FREESTANDING		WIDTH (cm)										BP1-AP	BP2-BP	
	PROJECTION		150 cm	175 cm	200 cm	225 cm	250 cm	275 cm	300 cm	325 cm	350 cm	375 cm	400 cm	Covering	Wall Bracket
8	160,3 cm	€ 6.105	€ 6.332	€ 6.754	€ 6.965	€ 7.174	€ 7.381	€ 7.581	€ 7.781	€ 8.013	€ 8.492	€ 8.731	€ 52	€ 97	
9	177,9 cm	€ 6.317	€ 6.547	€ 6.971	€ 7.192	€ 7.414	€ 7.634	€ 7.850	€ 8.065	€ 8.301	€ 8.794	€ 9.037	€ 52	€ 97	
10	195,5 cm	€ 6.529	€ 6.763	€ 7.188	€ 7.419	€ 7.653	€ 7.887	€ 8.118	€ 8.348	€ 8.589	€ 9.095	€ 9.343	€ 52	€ 97	
11	213,1 cm	€ 6.741	€ 6.978	€ 7.405	€ 7.647	€ 7.893	€ 8.140	€ 8.386	€ 8.632	€ 8.877	€ 9.396	€ 9.649	€ 52	€ 97	
12	230,7 cm	€ 6.954	€ 7.193	€ 7.616	€ 7.875	€ 8.135	€ 8.393	€ 8.657	€ 8.911	€ 9.169	€ 9.709	€ 9.975	€ 52	€ 97	
13	248,3 cm	€ 7.166	€ 7.408	€ 7.836	€ 8.107	€ 8.375	€ 8.647	€ 8.928	€ 9.189	€ 9.464	€ 10.030	€ 10.313	€ 52	€ 97	
14	265,9 cm	€ 7.378	€ 7.624	€ 8.054	€ 8.339	€ 8.615	€ 8.901	€ 9.198	€ 9.468	€ 9.759	€ 10.351	€ 10.651	€ 52	€ 97	
15	283,5 cm	€ 7.590	€ 7.839	€ 8.269	€ 8.570	€ 8.855	€ 9.155	€ 9.468	€ 9.746	€ 10.054	€ 10.672	€ 10.988	€ 52	€ 97	
16	301,1 cm	€ 7.802	€ 8.054	€ 8.488	€ 8.802	€ 9.094	€ 9.408	€ 9.738	€ 10.036	€ 10.348	€ 10.981	€ 11.303	€ 52	€ 146	
17	318,7 cm	€ 8.015	€ 8.269	€ 8.702	€ 9.033	€ 9.334	€ 9.661	€ 10.008	€ 10.324	€ 10.641	€ 11.287	€ 11.613	€ 52	€ 146	
18	336,3 cm	€ 8.227	€ 8.485	€ 8.921	€ 9.264	€ 9.573	€ 9.914	€ 10.277	€ 10.612	€ 10.934	€ 11.593	€ 11.925	€ 52	€ 146	
19	353,9 cm	€ 8.439	€ 8.700	€ 9.138	€ 9.487	€ 9.812	€ 10.167	€ 10.546	€ 10.896	€ 11.226	€ 11.903	€ 12.243	€ 52	€ 146	
20	371,5 cm	€ 8.651	€ 8.915	€ 9.352	€ 9.713	€ 10.051	€ 10.419	€ 10.815	€ 11.180	€ 11.518	€ 12.212	€ 12.561	€ 52	€ 146	
21	389,1 cm	€ 8.864	€ 9.130	€ 9.571	€ 9.941	€ 10.290	€ 10.674	€ 11.084	€ 11.464	€ 11.810	€ 12.521	€ 12.878	€ 52	€ 146	
22	406,7 cm	€ 9.076	€ 9.346	€ 9.784	€ 10.168	€ 10.528	€ 10.929	€ 11.353	€ 11.748	€ 12.102	€ 12.830	€ 13.195	€ 52	€ 146	
23	424,3 cm	€ 9.288	€ 9.561	€ 10.002	€ 10.396	€ 10.766	€ 11.184	€ 11.621	€ 12.031	€ 12.394	€ 13.139	€ 13.512	€ 52	€ 146	
24	441,9 cm	€ 9.500	€ 9.776	€ 10.219	€ 10.623	€ 11.007	€ 11.439	€ 11.889	€ 12.314	€ 12.685	€ 13.447	€ 13.829	€ 52	€ 146	
25	459,5 cm	€ 9.713	€ 9.992	€ 10.432	€ 10.850	€ 11.248	€ 11.693	€ 12.157	€ 12.597	€ 12.976	€ 13.755	€ 14.145	€ 52	€ 195	
26	477,1 cm	€ 9.925	€ 10.207	€ 10.649	€ 11.077	€ 11.488	€ 11.947	€ 12.425	€ 12.880	€ 13.267	€ 14.063	€ 14.461	€ 52	€ 195	
27	494,7 cm	€ 10.137	€ 10.422	€ 10.862	€ 11.303	€ 11.729	€ 12.201	€ 12.692	€ 13.162	€ 13.557	€ 14.371	€ 14.777	€ 52	€ 195	
28	512,3 cm	€ 10.349	€ 10.637	€ 11.078	€ 11.530	€ 11.969	€ 12.455	€ 12.960	€ 13.445	€ 13.848	€ 14.678	€ 15.093	€ 52	€ 195	
29	529,9 cm	€ 10.878	€ 11.178	€ 11.634	€ 12.109	€ 12.575	€ 13.089	€ 13.624	€ 14.139	€ 14.562	€ 14.985	€ 15.408	€ 52	€ 195	
30	547,5 cm	€ 11.097	€ 11.400	€ 11.857	€ 12.342	€ 12.822	€ 13.351	€ 13.899	€ 14.429	€ 14.861	€ 15.292	€ 15.724	€ 52	€ 243	
31	565,1 cm	€ 11.316	€ 11.622	€ 12.079	€ 12.575	€ 13.069	€ 13.612	€ 14.174	€ 14.720	€ 15.160	€ 15.600	€ 16.039	€ 52	€ 243	
32	582,7 cm	€ 11.534	€ 11.843	€ 12.302	€ 12.808	€ 13.317	€ 13.873	€ 14.449	€ 15.011	€ 15.459	€ 15.907	€ 16.355	€ 52	€ 243	
33	600,3 cm	€ 11.753	€ 12.065	€ 12.525	€ 13.041	€ 13.564	€ 14.135	€ 14.725	€ 15.302	€ 15.758	€ 16.214	€ 16.671	€ 52	€ 243	
BP1-AW	Covering	€ 58	€ 58	€ 58	€ 58	€ 58	€ 58	€ 58	€ 58	€ 58	€ 58	€ 58	€ 58		
BP2-BW	Wall Bracket	€ 97	€ 97	€ 97	€ 97	€ 97	€ 97	€ 97	€ 146	€ 146	€ 146	€ 146	€ 146		
Number of wall bracket		2 pcs						3 pcs							

OPTIONS

BP4	Perimeter LED	€ 78	lm
BP4-RGB	Perimeter RGB LED	€ 86	lm
BP4-RGBWW	Perimeter RGBWW LED	€ 97	lm
BP5-A	Extra Pillar (120x120x3mm - Al)	€ 305	set
FS19	Fix louver	€ 67	lm
BP8	Sun Sensor (SUNIS) (with Universal Receiver RTS)	€ 903	pcs
BP9	Wind Sensor (EOLIS RTS) (with Universal Receiver RTS)	€ 600	pcs
BP10	Sun and Wind Sensor (SOLIRIS RTS) (with Universal Receiver RTS)	€ 635	pcs
BP11 ⁷	Rain Sensor (ONDEIS) (with Universal Receiver RTS)	€ 857	pcs
FS30	CONNEXOON	€ 479	pcs
BP12-C1 ⁹	Hanging (Right or Left Side)	€ 654	set
BP12-C2 ⁹	Hanging (Front)	€ 641	set
BP12-C3 ⁹	Hanging (Module)	€ 729	set
BP13 ¹⁰	Inner aluminium drainage set on steel pillars	€ 256	set
BP14-C1	Hidden Anchorage set for Compact (with drainage)	€ 104	set
BP14-C2	Hidden Anchorage set for Compact (without drainage)	€ 49	set

STEEL CONSTRUCTION

Beam Group		
120x120x3mm St	€ 324	lm
120x120x5mm St	€ 449	lm
150x150x3mm St	€ 407	lm
150x150x5mm St	€ 569	lm
150x150x6mm St	€ 673	lm
150x200x3mm St	€ 475	lm
150x200x5mm St	€ 714	lm
150x200x6mm St	€ 846	lm
150x250x6mm St	€ 975	lm
150x250x8mm St	€ 1.333	lm
200x200x6mm St	€ 974	lm
200x300x6mm St	€ 1.233	lm
200x300x8mm St	€ 1.677	lm

Pillar Group

120x120x3mm St	€ 514	set
120x120x5mm St	€ 897	set
150x150x3mm St	€ 645	set
150x150x5mm St	€ 1.140	set
200x200x6mm St	€ 1.650	set

* For more steel sections, please refer to our component list.

BP1-AW	Covering Z bending for width side
BP2-BW	Wall Bracket (Plus & Prestige)
BP1-AP	Covering Z bending for projection side
BP2-BP	Wall Bracket (Plus & Prestige)

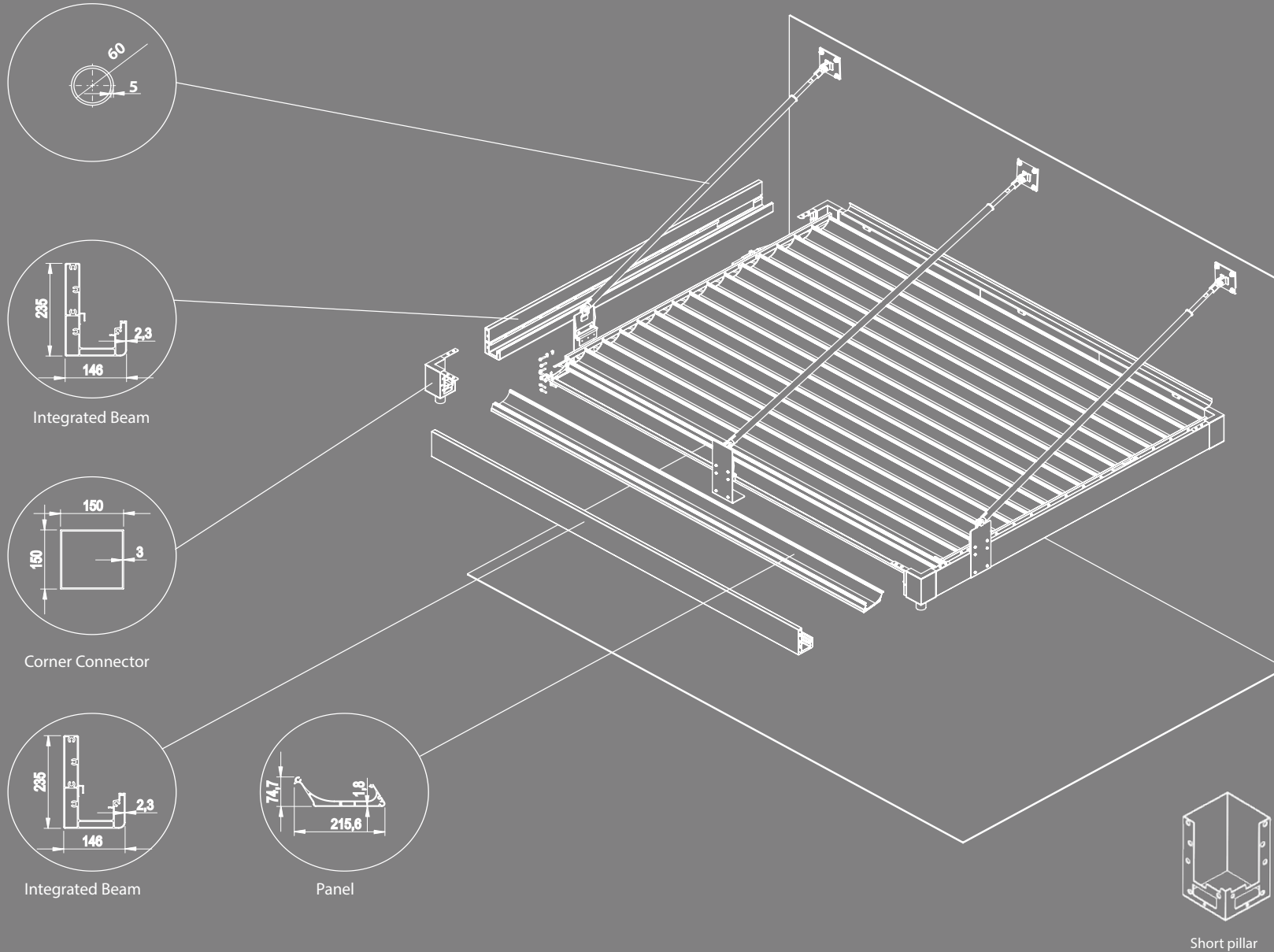
NOTES:

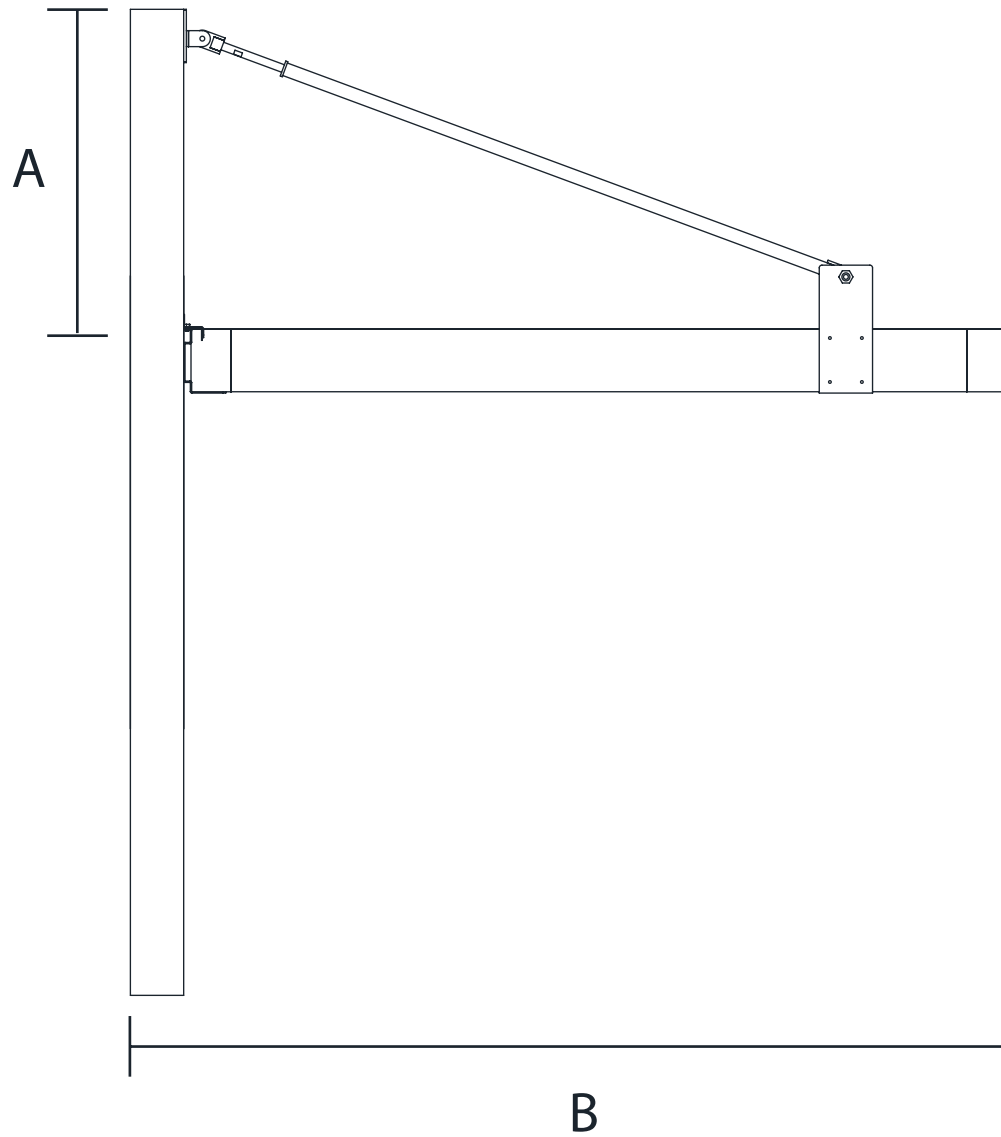
- For wall installations, 3 cm must be added to the projection size.
- For ceiling installations, 16 cm must be added to the projection size.
- Palmye Aluminium Coating Catalogue includes the standard colours with no extra cost. For any other type/brand/color of paint, price difference and additional delivery duration shall be checked from your customer representative.
- Support pillar deduction can apply only when supported by wall bracket or steel application.
- If rain sensor is needed; For single product, a Dry contact transmitter which costs 346€, must be added to the price. For up to 5 products, a RS485 Automation interface Dry contact transmitter which costs 1057€ must be added to the price.
- The corner pillars can be moved max. 50cm.
- For available sizes please refer to related hanging models.
- Water outlets can be optionally given through the steel pillars.
- Hanging models can be made as wall/ceiling connections, cannot be freestanding.
- If projection is in the range of 353,9 cm – 441,9cm, a hanging pipe is applied to the front gutter beam of the product. In this case, 2 pipes should be applied in each direction. Additional pipes should be priced from option price. For projections more than 441,9cm, the maximum projection is determined according to the pipe profile length. The maximum pipe profile length can not be more than 600 cm. A middle hanging pipe will be used only in projection sizes after 450cm.
- For wall installed products, a wall bracket is required in every 150cm.

DEDUCTION

- Deduction to short pillar -€37

SKYROOF PLUS HANGING





STANDARD "A" VALUES

B (cm)	150 - 359
A (cm)	50

SKYROOF PLUS HANGING

Panel	FREESTANDING Projection	WIDTH (cm)											BP1-AP	BP2-BP	
		150 cm	175 cm	200 cm	225 cm	250 cm	275 cm	300 cm	325 cm	350 cm	375 cm	400 cm	Covering	Wall Bracket	
8	165,4 cm	€ 8.330	€ 8.603	€ 8.870	€ 9.153	€ 9.423	€ 9.698	€ 9.964	€ 10.233	€ 10.527	€ 10.805	€ 11.082	€ 52	€ 105	
9	183 cm	€ 8.571	€ 8.863	€ 9.156	€ 9.452	€ 9.744	€ 10.037	€ 10.325	€ 10.619	€ 10.921	€ 11.215	€ 11.507	€ 52	€ 105	
10	200,6 cm	€ 8.827	€ 9.137	€ 9.447	€ 9.757	€ 10.068	€ 10.377	€ 10.687	€ 10.994	€ 11.312	€ 11.623	€ 11.934	€ 52	€ 105	
11	218,2 cm	€ 9.087	€ 9.416	€ 9.739	€ 10.062	€ 10.390	€ 10.720	€ 11.048	€ 11.376	€ 11.704	€ 12.032	€ 12.360	€ 52	€ 105	
12	235,8 cm	€ 9.328	€ 9.675	€ 10.021	€ 10.366	€ 10.712	€ 11.057	€ 11.409	€ 11.748	€ 12.093	€ 12.440	€ 12.784	€ 52	€ 105	
13	253,4 cm	€ 9.583	€ 9.956	€ 10.314	€ 10.676	€ 11.033	€ 11.396	€ 11.771	€ 12.121	€ 12.488	€ 12.851	€ 13.210	€ 52	€ 157	
14	271 cm	€ 9.838	€ 10.220	€ 10.606	€ 10.985	€ 11.354	€ 11.736	€ 12.132	€ 12.493	€ 12.882	€ 13.256	€ 13.638	€ 52	€ 157	
15	288,6 cm	€ 10.115	€ 10.513	€ 10.893	€ 11.295	€ 11.675	€ 12.075	€ 12.493	€ 12.866	€ 13.277	€ 13.662	€ 14.064	€ 52	€ 157	
16	306,2 cm	€ 10.310	€ 10.746	€ 11.186	€ 11.605	€ 11.995	€ 12.414	€ 12.855	€ 13.253	€ 13.671	€ 14.068	€ 14.490	€ 52	€ 157	
17	323,8 cm	€ 10.601	€ 11.025	€ 11.474	€ 11.914	€ 12.316	€ 12.753	€ 13.216	€ 13.640	€ 14.064	€ 14.473	€ 14.916	€ 52	€ 157	
18	341,4 cm	€ 10.896	€ 11.354	€ 11.767	€ 12.224	€ 12.637	€ 13.092	€ 13.577	€ 14.025	€ 14.457	€ 14.879	€ 15.341	€ 52	€ 157	
19	359 cm	€ 11.120	€ 11.578	€ 12.058	€ 12.523	€ 12.958	€ 13.432	€ 13.939	€ 14.407	€ 14.849	€ 15.284	€ 15.767	€ 52	€ 157	
BP1-AW	Covering	€ 52	€ 52	€ 52	€ 52	€ 52	€ 52	€ 52	€ 52	€ 52	€ 52	€ 52			
BP2-BW	Wall Bracket	€ 105	€ 105	€ 105	€ 105	€ 105	€ 157	€ 157	€ 157	€ 157	€ 157	€ 157	€ 157	€ 157	
Number of wall bracket		2 pcs						3 pcs							

NOTES:

1. For wall installations, 3 cm must be added to the projection size.
2. For ceiling installations, 16 cm must be added to the projection size.
3. Palmiye Aluminium Coating Catalogue includes the standard colours with no extra cost. For any other type/brand/coulor of paint, price difference and additional delivery duration shall be checked from your customer representative.
4. If rain sensor is needed; For single product, a Dry contact transmitter which costs 346€, must be added to the price. For up to 5 products, a RS485 Automation interface Dry contact transmitter which costs 1057€ must be added to the price.
5. Hanging models can be made as wall/ceiling connections, cannot be freestanding.
6. For wall installed products, a wall bracket is required in every 150cm.

OPTIONS

BP3-A	2 Linear LED	€ 220	modul
BP3-A-RGB	2 Linear RGB LED	€ 279	modul
BP3-B	3 Linear LED	€ 286	modul
BP3-B-RGB	3 Linear RGB LED	€ 363	modul
BP4	Perimeter LED	€ 78	lm
BP4-RGB	Perimeter RGB LED	€ 86	lm
BP4-RGBWW	Perimeter RGBWW LED	€ 97	lm
BP5-B	Extra Pillar (150x150x3 mm - Al)	€ 380	set
FS19	Fix louver	€ 67	lm
BP7	Polyurethan foam	€ 138	m ²
BP8	Sun Sensor (SUNIS) (with Universal Receiver RTS)	€ 903	pcs
BP9	Wind Sensor (EOLIS RTS) (with Universal Receiver RTS)	€ 600	pcs
BP10	Sun and Wind Sensor (SOLIRIS RTS) (with Universal Receiver RTS)	€ 635	set
BP11	Rain Sensor (ONDEIS) (with Universal Receiver RTS) ⁶	€ 857	set
FS30	CONNEXOON	€ 479	pcs
FS28-1	Stainless steel chain - 100 cm	€ 71	1m
FS28-2	Stainless steel chain - 200 cm	€ 140	2m
FS28-3	Stainless steel chain - 300 cm	€ 209	3m
FS28-4	Stainless steel chain - 400 cm	€ 279	4m

STEEL CONSTRUCTON

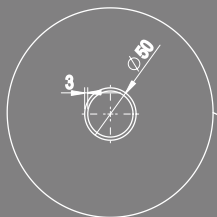
Beam Group		
150x150x3mm St	€ 407	lm
150x150x5mm St	€ 569	lm
150x150x6mm St	€ 673	lm
150x200x3mm St	€ 475	lm
150x200x5mm St	€ 714	lm
150x200x6mm St	€ 846	lm
150x250x6mm St	€ 975	lm
150x250x8mm St	€ 1.333	lm
200x200x6mm St	€ 974	lm
200x300x6mm St	€ 1.233	lm
200x300x8mm St	€ 1.677	lm

Pillar Group

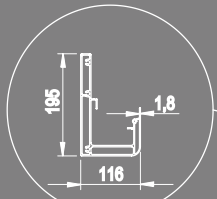
150x150x3mm St	€ 645	set
150x150x5mm St	€ 1.140	set
200x200x6mm St	€ 1.650	set

* For more steel sections, please refer to our component list.

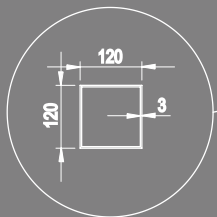
SKYROOF COMPACT HANGING



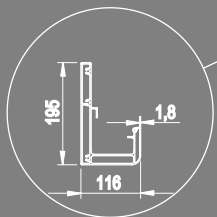
Steel Hanging Pipe



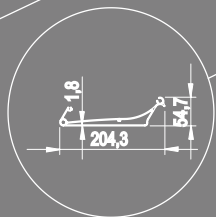
Integrated Beam



Corner Connector



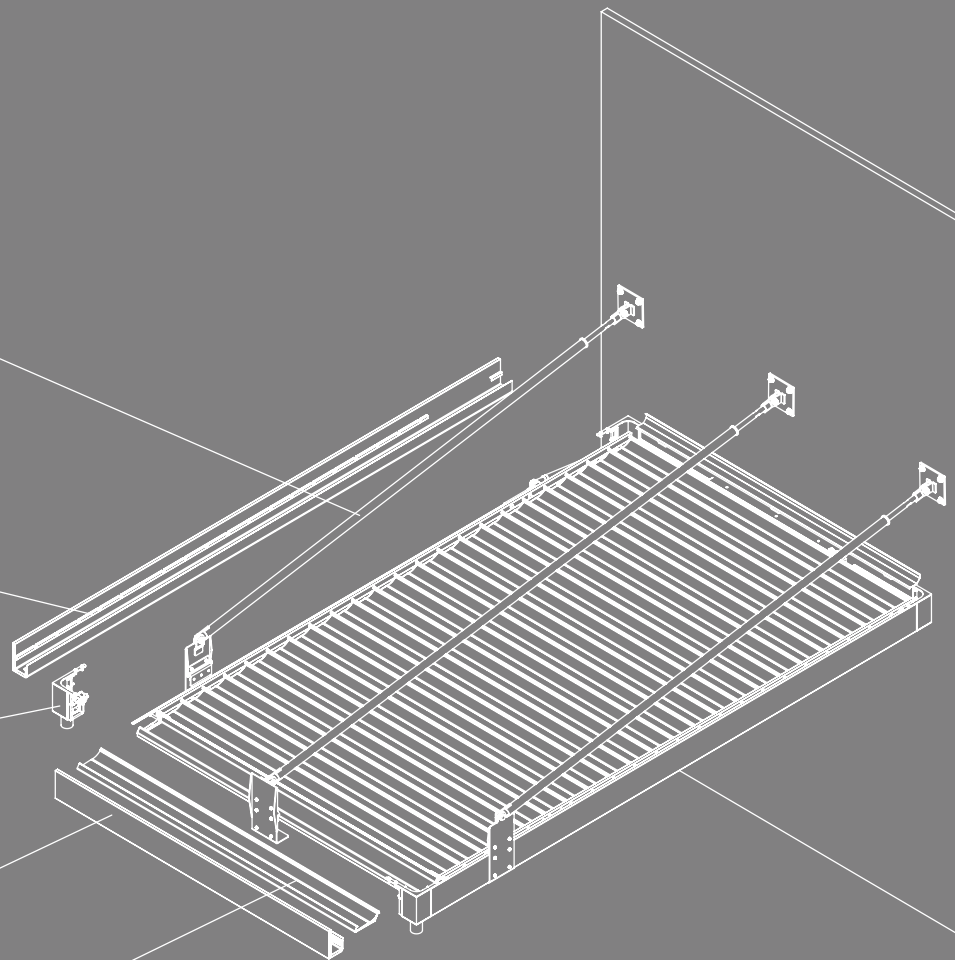
Integrated Beam

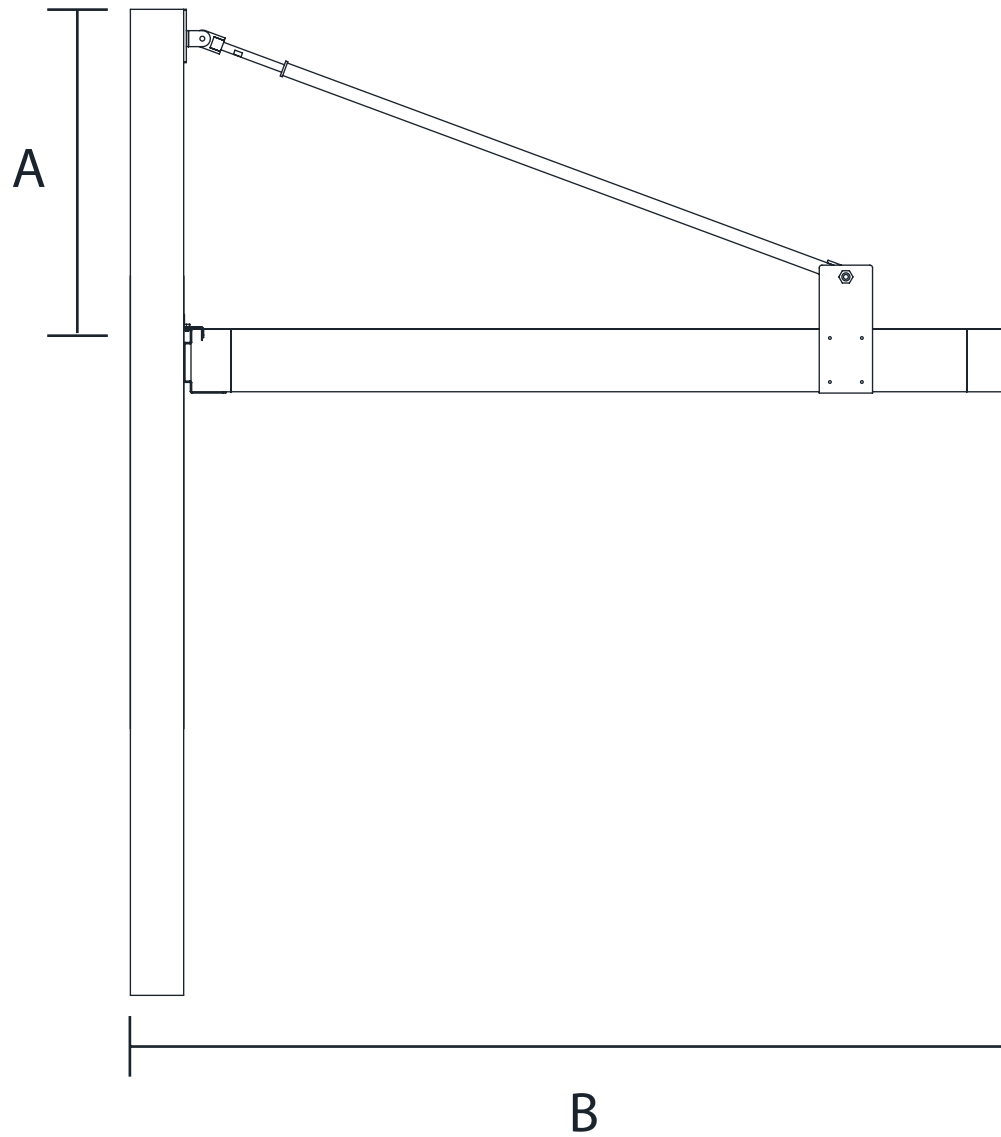


Panel



Short pillar





STANDARD "A" VALUES

B (cm)	150 - 356,7
A (cm)	50

SKYROOF COMPACT HANGING

Panel	FREESTANDING Projection	WIDTH (cm)									BP1-AP	BP2-BP
		150 cm	175 cm	200 cm	225 cm	250 cm	275 cm	300 cm	325 cm	350 cm	Covering	Wall Bracket
8	160,3 cm	€ 6.715	€ 6.965	€ 7.430	€ 7.661	€ 7.892	€ 8.119	€ 8.339	€ 8.559	€ 8.814	€ 52	€ 97
9	177,9 cm	€ 6.949	€ 7.202	€ 7.668	€ 7.911	€ 8.155	€ 8.397	€ 8.634	€ 8.871	€ 9.131	€ 52	€ 97
10	195,5 cm	€ 7.182	€ 7.439	€ 7.907	€ 8.161	€ 8.419	€ 8.676	€ 8.930	€ 9.183	€ 9.448	€ 52	€ 97
11	213,1 cm	€ 7.415	€ 7.676	€ 8.145	€ 8.411	€ 8.682	€ 8.954	€ 9.225	€ 9.495	€ 9.765	€ 52	€ 97
12	230,7 cm	€ 7.649	€ 7.912	€ 8.378	€ 8.662	€ 8.948	€ 9.232	€ 9.523	€ 9.802	€ 10.085	€ 52	€ 97
13	248,3 cm	€ 7.882	€ 8.149	€ 8.619	€ 8.917	€ 9.212	€ 9.512	€ 9.820	€ 10.108	€ 10.410	€ 52	€ 97
14	265,9 cm	€ 8.116	€ 8.386	€ 8.859	€ 9.172	€ 9.476	€ 9.791	€ 10.118	€ 10.415	€ 10.735	€ 52	€ 97
15	283,5 cm	€ 8.349	€ 8.623	€ 9.095	€ 9.427	€ 9.740	€ 10.070	€ 10.415	€ 10.721	€ 11.059	€ 52	€ 97
16	301,1 cm	€ 8.583	€ 8.860	€ 9.336	€ 9.682	€ 10.004	€ 10.349	€ 10.712	€ 11.039	€ 11.383	€ 52	€ 146
17	318,7 cm	€ 8.816	€ 9.096	€ 9.573	€ 9.936	€ 10.267	€ 10.627	€ 11.008	€ 11.357	€ 11.705	€ 52	€ 146
18	336,3 cm	€ 9.050	€ 9.333	€ 9.813	€ 10.190	€ 10.530	€ 10.905	€ 11.305	€ 11.673	€ 12.027	€ 52	€ 146
19	353,9 cm	€ 9.283	€ 9.570	€ 10.052	€ 10.435	€ 10.793	€ 11.183	€ 11.601	€ 11.986	€ 12.349	€ 52	€ 146

2 pcs

3 pcs

BP1-AW	Covering	€ 52	€ 52	€ 52	€ 52	€ 52	€ 52	€ 52	€ 52	€ 52	€ 52
BP2-BW	Wall Bracket	€ 97	€ 97	€ 97	€ 97	€ 97	€ 97	€ 97	€ 97	€ 146	€ 146
Number of wall bracket		2 pcs						3 pcs			

BP1-AW	Covering Z bending for width side
BP2-BW	Wall Bracket (Plus & Prestige)
BP1-AP	Covering Z bending for projection side
BP2-BP	Wall Bracket (Plus & Prestige)

NOTES:

1. For wall installations, 3 cm must be added to the projection size.
2. For ceiling installations, 16 cm must be added to the projection size.
3. Palmiye Aluminium Coating Catalogue includes the standard colours with no extra cost. For any other type/brand/couolor of paint, price difference and additional delivery duration shall be checked from your customer representative.
4. If rain sensor is needed; For single product, a Dry contact transmitter which costs 346€, must be added to the price. For up to 5 products, a RS485 Automation interface Dry contact transmitter which costs 1057€ must be added to the price.
5. Hanging models can be made as wall/ceiling connections, cannot be freestanding.
6. For wall installed products, a wall bracket is required in every 150cm.

OPTIONS

BP4	Perimeter LED	€ 78	lm
BP4-RGB	Perimeter RGB LED	€ 86	lm
BP4-RGBWW	Perimeter RGBWW LED	€ 97	lm
BP5-A	"Extra Pillar (120x120x3mm - AI)"	€ 305	set
FS19	Fix louver	€ 67	lm
BP8	Sun Sensor (SUNIS) (with Universal Receiver RTS)	€ 903	pcs
BP9	Wind Sensor (EOLIS RTS) (with Universal Receiver RTS)	€ 600	pcs
BP10	Sun and Wind Sensor (SOLIRIS RTS) (with Universal Receiver RTS)	€ 635	pcs
BP11	Rain Sensor (ONDEIS) (with Universal Receiver RTS) ⁶	€ 857	pcs
FS30	CONNEXOON	€ 479	pcs
BP12-C1	Hanging (Right or Left Side)	€ 654	set
BP12-C2	Hanging (Front)	€ 641	set
BP12-C3	Hanging (Module)	€ 729	set
FS28-1	Stainless steel chain - 100 cm 1m	€ 71	lm
FS28-2	Stainless steel chain - 200 cm 2m	€ 140	lm
FS28-3	Stainless steel chain - 300 cm 3m	€ 209	lm
FS28-4	Stainless steel chain - 400 cm 4m	€ 279	lm

STEEL CONSTRUCTION

Beam Group		
120x120x3mm St	€ 324	lm
120x120x5mm St	€ 449	lm
150x150x3mm St	€ 407	lm
150x150x5mm St	€ 569	lm
150x150x6mm St	€ 673	lm
150x200x3mm St	€ 475	lm
150x200x5mm St	€ 714	lm
150x200x6mm St	€ 846	lm
150x250x6mm St	€ 975	lm
150x250x8mm St	€ 1.333	lm
200x200x6mm St	€ 974	lm
200x300x6mm St	€ 1.233	lm
200x300x8mm St	€ 1.677	lm

Pillar Group

120x120x3mm St	€ 514	set
120x120x5mm St	€ 897	set
150x150x3mm St	€ 645	set
150x150x5mm St	€ 1.140	set
200x200x6mm St	€ 1.650	set

* For more steel sections, please refer to our component list.



palmiyeglobal.com