



FABRIC PERGOLAS

PRICE LIST / 2024

MADE FOR OUTDOOR LIFE



MADE FOR OUTDOOR LIFE

INDEX

04

Silver

90

Coral Twin

22

Silver Twin

112

Coral Hanging

36

Silver Hanging

138

Coral Twin Hanging

62

Silver Twin Hanging

148

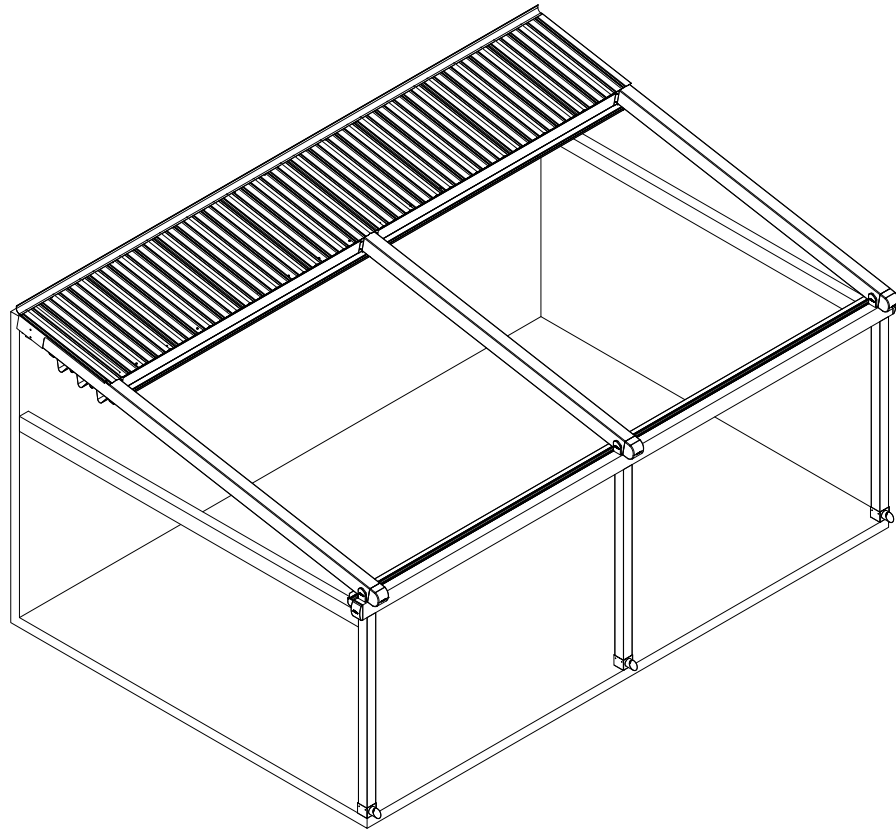
Satin S

72

Coral

154

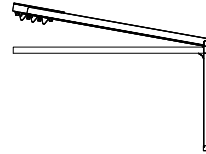
Legend



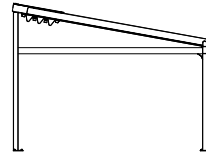
SILVER

PRODUCT FORMS

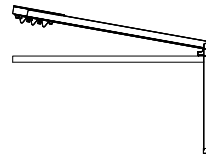
- **SILVER** Wall / Ceiling



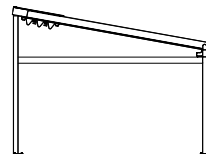
- **SILVER** Freestanding



- **SILVER Compact** Wall / Ceiling

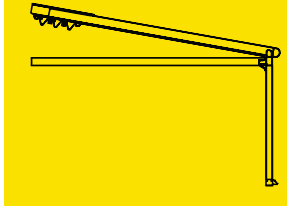


- **SILVER Compact** Freestanding



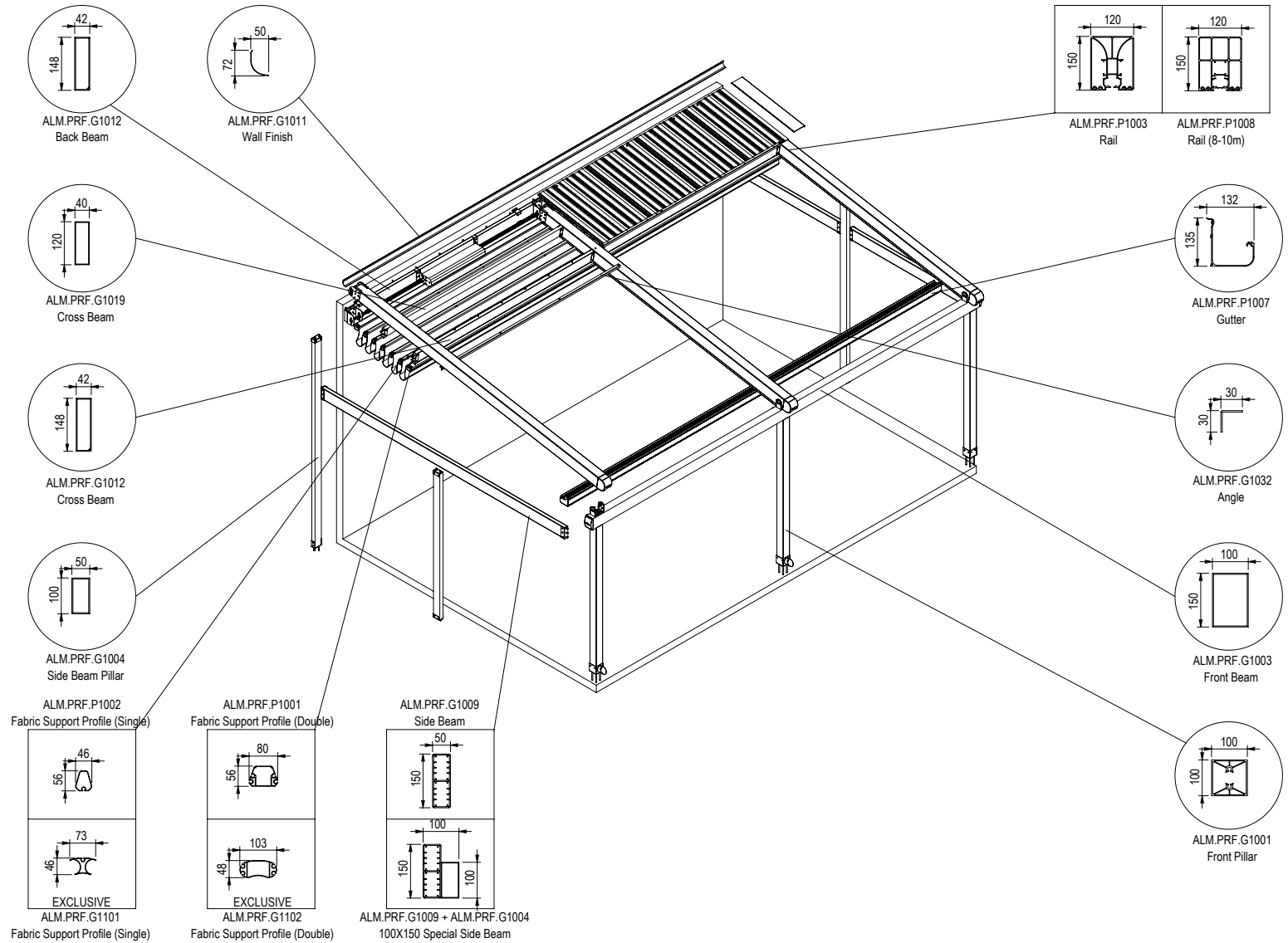
SILVER

Wall / Ceiling



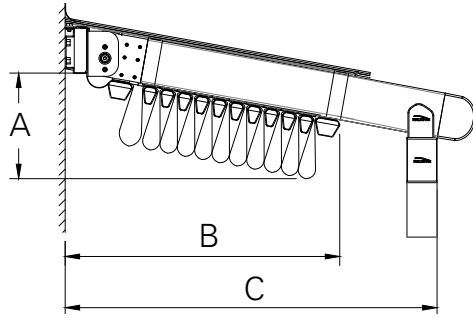
MAXIMUM DIMENSIONS

	WIDTH	PROJECTION
2 RAILS	450 cm	1000 cm
3 RAILS	900 cm	1000 cm
4 RAILS	1300 cm	700 cm



TECHNICAL FEATURES

COLLECTED FABRIC DIMENSIONS



Projection cm

No of Fabric Support Profiles	185	235	284	334	383	433	482	532	581	631	680	729	779	828	878	927	977	C
4	34																	61
5		35																68
6			36															74
7				37														81
8					38													87
9						39												94
10							40											100
11								41										107
12									42									113
14										44								126
16											45							139
17												46						146
18													47					152
19														48				159
20															49			165
																50		172
																	51	172

*Calculated according to a slope of 15%

DRAINAGE CALCULATION

Type	Max. m ²
Full	39 m ² /pc
Half	18 m ² /pc

* per drainage

There should be at least one drainage, each 8 m length gutter.

MINIMUM SLOPE CHART

Slope	Rail Center										
	200	225	250	275	300	325	350	375	400	425	450
6,4-7,9%	16	19	21	24	26	28	30	33	35	38	40
7,4-8,8%	20	23	26	29	31	34	37	40	42	45	48
8,4-9,7%	23	27	30	34	37	40	43	46	49	53	56
9,4-10,8%	27	31	35	39	42	46	49	53	57	61	64
10,4-12%	32	36	40	44	48	52	56	60	64	69	73
11,2-12,7%	36	41	45	50	54	59	63	68	72	77	81
12-13,4%	40	45	50	55	60	65	70	75	80	85	90
13-14,5%	44	50	55	61	66	72	77	83	88	94	99
14-15,7%	49	55	61	67	72	78	84	90	96	102	108
15-16,6%	54	60	66	73	79	85	91	98	104	111	117
16-17,6%	59	66	72	79	85	92	99	106	112	119	126
	63	70	77	85	92	99	106	114	121	129	136
	67	75	82	91	99	106	113	122	130	138	146
	71	79	87	97	106	113	120	130	139	148	156
	75	84	92	103	113	120	127	138	148	157	166
	79	88	97	109	120	127	134	146	157	167	176

*Note: Max. slope can be up to 25%

WIND RESISTANCE

For back height of system 30 cm should be added to slope value.

PROJECTION (cm)	WIDTH (cm)																	
	450	500	550	600	650	700	750	800	850	900	950	1000	1050	1100	1150	1200	1250	1300
400	11	11	11	11	11	11	11	11	11	11	11	11	11	11	11	11	11	11
450	11	11	11	11	11	11	11	11	10	10	11	11	11	11	11	11	11	11
500	11	11	11	11	11	10	10	10	10	9	11	11	11	11	11	11	11	11
550	11	11	11	10	10	10	9	9	9	9	11	11	11	11	10	10	10	10
600	11	10	10	10	10	9	9	8	8	8	11	10	10	10	10	10	10	10
650	10	10	9	9	9	9	9	8	8	8	10	10	9	9	9	9	9	9
700	10	9	9	9	9	8	8	8	8	8	10	9	9	9	9	9	9	9
750	9	9	8	8	8	8	8	7	7	7	9	9	8	8	8	8	8	8
800	9	8	8	8	8	7	7	7	7	7	9	8	8	8	8	8	8	8
850	8	8	8	8	7	7	7	7	7	7	8	8	8	8	8	8	8	8
900	8	8	7	7	7	7	7	7	6	6	8	8	7	7	7	7	7	7
950	7	7	7	7	7	6	6	6	6	6	7	7	7	7	7	7	7	7
1000	7	7	7	6	6	6	6	6	6	6	7	7	7	7	7	7	7	7

All sides open

PROJECTION (cm)	WIDTH (cm)																		
	450	500	550	600	650	700	750	800	850	900	950	1000	1050	1100	1150	1200	1250	1300	
400	11	11	10	10	10	9	9	9	9	8	8	11	11	10	10	10	10	9	9
450	11	10	10	10	10	9	9	9	9	8	8	11	10	10	10	10	10	9	9
500	10	10	10	10	10	9	9	9	9	8	8	10	10	10	10	10	10	9	9
550	10	10	10	10	10	9	9	9	9	8	8	10	10	10	10	10	10	9	9
600	10	9	9	9	9	9	9	9	8	8	8	9	9	9	9	9	9	9	9
650	9	9	9	9	9	9	9	9	8	8	8	9	9	9	9	9	9	9	9
700	9	9	9	9	9	9	9	9	8	8	8	9	9	9	9	9	9	9	9
750	9	9	9	9	8	8	8	8	8	8	8	9	9	9	9	9	9	8	8
800	8	8	8	8	8	8	8	8	8	8	8	8	8	8	8	8	8	8	8
850	8	8	8	8	8	8	8	8	8	8	8	8	8	8	8	8	8	8	8
900	8	8	8	8	8	8	8	8	8	8	8	8	8	8	8	8	8	8	8
950	8	8	8	8	8	8	8	8	8	8	8	8	8	8	8	8	8	8	8
1000	8	8	8	8	7	7	7	7	7	7	8	8	8	8	8	8	8	8	8

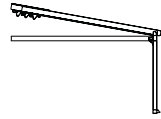
With side enclosure

*The values are given according to the Beaufort scale.

**Calculated for Products with a front height of 250 cm according to Eurocode EN 1991-1-4 Terrain Category 4.

*** You can ask for new calculations for special designs.

SILVER Wall / Ceiling



Projection	Width																				FS4	FS9	FS9-S	FS9-2		
	2 RAILS					3 RAILS					4 RAILS															
	250 cm	300 cm	350 cm	400 cm	450 cm	500 cm	550 cm	600 cm	650 cm	700 cm	750 cm	800 cm	850 cm	900 cm	950 cm	1000 cm	1050 cm	1100 cm	1150 cm	1200 cm					1250 cm	1300 cm
200 cm	€ 6.340	€ 6.649	€ 7.083	€ 7.525	€ 7.836	€ 9.203	€ 9.505	€ 9.807	€ 10.379	€ 10.634	€ 10.844	€ 11.142	€ 11.443	€ 11.743	€ 13.252	€ 13.548	€ 13.846	€ 14.145	€ 14.446	€ 14.678	€ 15.077	€ 15.540	€ 1.082	€ 221	€ 294	€ 174
250 cm	€ 6.618	€ 7.093	€ 7.516	€ 7.837	€ 8.153	€ 9.654	€ 10.132	€ 10.441	€ 10.862	€ 11.127	€ 11.349	€ 11.822	€ 12.296	€ 12.441	€ 13.901	€ 14.208	€ 14.681	€ 14.988	€ 15.299	€ 15.538	€ 15.951	€ 16.422	€ 1.194	€ 267	€ 367	€ 204
300 cm	€ 7.107	€ 7.638	€ 8.114	€ 8.489	€ 8.863	€ 10.557	€ 11.091	€ 11.460	€ 11.936	€ 12.252	€ 12.532	€ 13.059	€ 13.594	€ 13.797	€ 15.412	€ 15.777	€ 16.308	€ 16.670	€ 17.039	€ 17.326	€ 17.795	€ 18.321	€ 1.306	€ 313	€ 441	€ 233
350 cm	€ 7.551	€ 7.935	€ 8.423	€ 8.964	€ 9.346	€ 11.183	€ 11.566	€ 12.109	€ 12.600	€ 12.919	€ 13.211	€ 13.753	€ 14.304	€ 14.510	€ 16.404	€ 16.779	€ 17.158	€ 17.532	€ 18.072	€ 18.369	€ 18.848	€ 19.224	€ 1.419	€ 358	€ 514	€ 263
400 cm	€ 7.841	€ 8.235	€ 8.734	€ 9.285	€ 9.679	€ 11.648	€ 12.040	€ 12.593	€ 13.094	€ 13.426	€ 13.729	€ 14.280	€ 14.835	€ 15.060	€ 17.071	€ 17.459	€ 17.848	€ 18.234	€ 18.783	€ 19.089	€ 19.579	€ 19.965	€ 1.531	€ 404	€ 588	€ 292
450 cm	€ 8.138	€ 8.542	€ 9.053	€ 9.614	€ 10.019	€ 12.126	€ 12.530	€ 13.095	€ 13.606	€ 13.947	€ 14.261	€ 14.823	€ 15.390	€ 15.624	€ 17.756	€ 18.153	€ 18.553	€ 18.951	€ 19.514	€ 19.823	€ 20.325	€ 20.721	€ 1.643	€ 449	€ 661	€ 322
500 cm	€ 8.428	€ 8.845	€ 9.364	€ 9.937	€ 10.354	€ 12.593	€ 13.007	€ 13.582	€ 14.108	€ 14.454	€ 14.778	€ 15.352	€ 15.932	€ 16.175	€ 18.427	€ 18.836	€ 19.246	€ 19.654	€ 20.226	€ 20.547	€ 21.059	€ 21.467	€ 1.756	€ 495	€ 734	€ 352
550 cm	€ 8.930	€ 9.556	€ 10.130	€ 10.758	€ 11.228	€ 13.679	€ 14.314	€ 14.782	€ 15.528	€ 15.927	€ 16.308	€ 16.940	€ 17.576	€ 18.041	€ 20.262	€ 20.752	€ 21.383	€ 21.849	€ 22.478	€ 22.843	€ 23.411	€ 24.040	€ 1.868	€ 541	€ 808	€ 381
600 cm	€ 9.232	€ 9.869	€ 10.456	€ 11.093	€ 11.573	€ 14.159	€ 14.808	€ 15.287	€ 16.042	€ 16.450	€ 16.841	€ 17.484	€ 18.131	€ 18.608	€ 20.974	€ 21.450	€ 22.092	€ 22.568	€ 23.207	€ 23.582	€ 24.161	€ 24.799	€ 1.981	€ 586	€ 881	€ 411
650 cm	€ 9.526	€ 10.174	€ 10.770	€ 11.417	€ 11.911	€ 14.632	€ 15.291	€ 15.782	€ 16.547	€ 16.894	€ 17.291	€ 17.942	€ 18.592	€ 19.082	€ 21.653	€ 22.143	€ 22.710	€ 23.280	€ 23.930	€ 24.313	€ 24.903	€ 25.552	€ 2.093	€ 632	€ 955	€ 440
700 cm	€ 9.821	€ 10.480	€ 11.084	€ 11.745	€ 12.247	€ 15.106	€ 15.774	€ 16.279	€ 17.056	€ 17.406	€ 17.817	€ 18.480	€ 19.145	€ 19.639	€ 22.332	€ 22.831	€ 23.493	€ 23.992	€ 24.656	€ 25.043	€ 25.646	€ 26.305	€ 2.205	€ 678	€ 1.028	€ 470
750 cm	€ 10.118	€ 10.787	€ 11.404	€ 12.071	€ 12.583	€ 15.579	€ 16.259	€ 16.772	€ 17.563	€ 17.920	€ 18.340	€ 19.012	€ 19.688	€ 20.195	€ 23.014	€ 23.522	€ 24.195	€ 24.705	€ 25.378	€ 25.776	€ 26.387		€ 2.318	€ 983	€ 1.601	€ 999
800 cm	€ 10.618	€ 11.344	€ 12.013	€ 12.737	€ 13.305	€ 16.501	€ 17.237	€ 17.807	€ 18.654	€ 19.060	€ 19.538	€ 20.265	€ 20.998	€ 21.564	€ 24.550	€ 25.113	€ 25.844	€ 26.409	€ 27.140	€ 27.585			€ 2.430	€ 1.028	€ 1.675	€ 1.029
850 cm	€ 11.103	€ 11.841	€ 12.521	€ 13.257	€ 13.835	€ 17.086	€ 17.834	€ 18.414	€ 19.275	€ 19.688	€ 20.174	€ 20.914	€ 21.659	€ 22.235	€ 25.271	€ 25.844	€ 26.587	€ 27.162	€ 27.905				€ 2.542	€ 1.074	€ 1.748	€ 1.059
900 cm	€ 11.407	€ 12.145	€ 12.825	€ 13.561	€ 14.140	€ 17.390	€ 18.138	€ 18.718	€ 19.579	€ 19.992	€ 20.478	€ 21.218	€ 21.963	€ 22.539	€ 25.575	€ 26.148	€ 26.891	€ 27.466					€ 2.655	€ 1.120	€ 1.822	€ 1.088
950 cm	€ 11.711	€ 12.449	€ 13.129	€ 13.865	€ 14.444	€ 17.694	€ 18.442	€ 19.022	€ 19.883	€ 20.296	€ 20.782	€ 21.522	€ 22.267	€ 22.843	€ 25.880	€ 26.452	€ 27.196						€ 2.767	€ 1.165	€ 1.895	€ 1.118
1000 cm	€ 12.015	€ 12.753	€ 13.433	€ 14.170	€ 14.748	€ 17.998	€ 18.746	€ 19.326	€ 20.187	€ 20.600	€ 21.086	€ 21.826	€ 22.571	€ 23.147	€ 26.184	€ 26.757							€ 2.880	€ 1.211	€ 1.969	€ 1.147
FS3	€ 219	€ 230	€ 251	€ 276	€ 298	€ 321	€ 344	€ 367	€ 390	€ 413	€ 530	€ 553	€ 576	€ 599	€ 623	€ 646	€ 669	€ 692	€ 715	€ 737	€ 760	€ 783				
FS5-A	€ 40	€ 51	€ 60	€ 68	€ 79	€ 88	€ 98	€ 107	€ 118	€ 126	€ 137	€ 146	€ 156	€ 165	€ 176	€ 184	€ 195	€ 204	€ 214	€ 223	€ 234	€ 242				
FS5-E	€ 56	€ 70	€ 82	€ 94	€ 109	€ 121	€ 135	€ 147	€ 162	€ 174	€ 189	€ 201	€ 215	€ 227	€ 242	€ 254	€ 268	€ 280	€ 295	€ 307	€ 322	€ 334				

Side beam pillar is included in the price

FS3	Gutter System
FS5-A	Additional Fabric Support Profile (Standard)
FS5-E	Additional Fabric Support Profile (3 Axis)
FS4	Additional Rail - AL- 120x150mm
FS8	Lighting System
FS9	Side Beam - AL- 50x150mm
FS9-S	Side Beam - AL- 100x150mm (Special)
FS9-2	Side Beam - AL- 100x150mm

FS8	
FS8-S	SPOT
FS8-L	LINEAR
FS8-E	3 AXIS ⁷
FS8-L (RGB)	LINEAR (RGB)
FS8-E (RGB)	3 AXIS (RGB) ⁷

LED TYPE & MODULE		
2 LED	3 LED	4 LED
€ 151	€ 183	€ 216
€ 216	€ 280	
€ 248	€ 323	
€ 274	€ 356	
€ 315	€ 409	

Notes:

- Any side beam is not included in the price.
- FS Flexy Plain/3D or Stam 6002 is included in the price.
- Motor and Remote control is included in the price.
- Palmiye Aluminium Coating Catalogue includes the standard colours with no extra cost. For any other type/brand/color of paint, price difference and additional delivery duration shall be checked from your customer representative.
- Standard fabric support profile plastic colours are specified in Palmiye Aluminium Coating Catalogue.
- If side beam used and projection is bigger than 700 cm, a side beam pillar also needs to be added up to the rail (FS15 or FS15-B). Price is included in FS9 side beam option price.
- 3 AXIS lights available only at exclusive fabric option.

DEDUCTION

Price deduction is applicable only for pillars and beam. Deduction amount shall be considered as 70% of related option price.

OPTIONS

FS10	Extra pillar (100x100mm Al.)	€ 500	pcs
FS10-ST3	Extra pillar (100x100x3mm St.)	€ 479	pcs
FS10-ST5	Extra pillar (100x100x5mm St.)	€ 698	pcs
FS11	Deco ceiling cover	€ 66	m ²
FS15	Side beam pillar (50x100mm - Al)	€ 259	pcs
FS15-B	Side beam pillar (100x100mm - Al)	€ 500	pcs
FS19	Fix louver	€ 68	lm
FS23	External Square Downpipe	€ 306	pcs
FS24	W96 Ceiling Cover	€ 76	m ²
FS26	Exclusive fabric difference (up to 800cm width)	€ 45	m ²
FS27	3 Axis lighting fabric support profile difference	€ 13	m ²
FS29-1	Sun Sensor (SUNIS) (for single motor)	€ 567	pcs
FS29-1S	Sun Sensor (SUNIS) (for synchronized motor)	€ 903	pcs
FS29-2	Wind Sensor (EOLIS RTS) (for single motor)	€ 267	pcs
FS29-2S	Wind Sensor (EOLIS RTS) (for synchronized motor)	€ 600	pcs
FS29-3	Sun and Wind Sensor (SOLIRIS RTS) (for single motor)	€ 302	pcs
FS29-3S	Sun and Wind Sensor (SOLIRIS RTS) (for synchronized motor)	€ 635	pcs
FS29-42	Rain Sensor (ONDEIS) (for single motor)	€ 524	pcs
FS29-4S3	Rain Sensor (ONDEIS) (for synchronized motor)	€ 856	pcs
FS30	CONNEXOON	€ 479	pcs

Notes:

1. Fabric support profiles can be painted in the same color as the general construction. No fee is paid for this process. However, the plastic color should be specified from our standard plastic colours in Palmiye Color Chart.
2. For one product, a dry contact transmitter costing 337€, must be added.
3. Up to 5 products, a RS485 Automation interface dry contact transmitter costing 1027€, must be added.
4. Exclusive fabric option can only be selected together with 3 axis fabric support profile. Price difference for 3 axis fabric profile should be added.

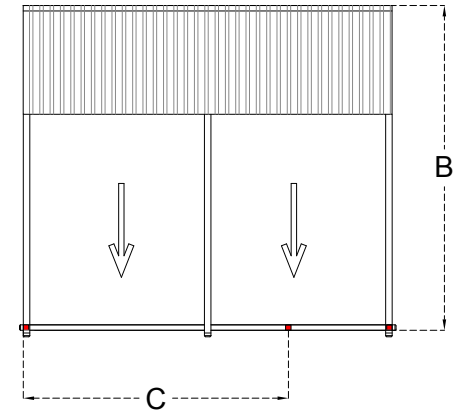
EXTENSIONS

Rail	- 120x150mm	€ 308	lm
Beam	Al. 42x150mm	€ 96	lm
Beam	Al. 50x150mm	€ 169	lm
Beam	Al. 100x150mm	€ 141	lm
Beam	St. 100x150x3mm	€ 292	lm
Beam	St. 100x150x5mm	€ 354	lm
Beam	St. 100x200x3mm	€ 296	lm
Beam	St. 100x200x5mm	€ 421	lm
Fabric protection cover	Al. - 63x___cm	€ 55	m ²
Gutter	Special Profile	€ 41	lm
Pillar	Al. 100x100mm	€ 158	lm
Pillar	St. 100x100x3mm	€ 198	lm
Pillar	St. 100x100x5mm	€ 354	lm
Pillar	St. 150x150x3mm	€ 401	lm
Pillar	St. 150x150x5mm	€ 562	lm

*Max. Al. Front pillar (Al. 100x100mm) height is 280cm

*Max. St 3mm. Front pillar (St. 100x100x3mm) height is 380cm

*Max. St. 5mm Front pillar (St. 100x100x5mm) height is 480cm



PRICE DIFFERENCE

		BEAM GROUP		
		Standard	Al. 42x150mm	
Back Beam	to		Al. 50x150mm	€ 74 lm
			St. 50x150x3mm	€ 95 lm
			St. 50x150x5mm	€ 176 lm
			Al. 100x150mm	€ 44 lm
			St. 100x150x3mm	€ 192 lm
			St. 100x150x5mm	€ 260 lm
			St. 100x200x3mm	€ 196 lm
			St. 100x200x5mm	€ 328 lm
		Standard	Al. 100x150mm	
Front Beam	to		St. 100x150x3mm	€ 146 lm
			St. 100x150x5mm	€ 217 lm
			St. 100x200x3mm	€ 150 lm
			St. 100x200x5mm	€ 283 lm
		PILLAR GROUP		
		Standard	Al. 100x100mm	
Front Pillar	to		St. 100x100x3mm	€ 101 pcs
			St. 100x100x5mm	€ 416 pcs
			St. 150x150x3mm	€ 635 pcs
			St. 150x150x5mm	€ 1.124 pcs

FRONT PILLAR POSITION CHANGE

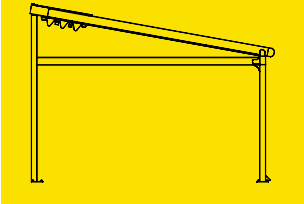
		C				
		500	550	600	650	700
B	400					
	500					
	600					
	700					
	800					
	900					
1000						

(Construction price difference needs to be added.
The deflection doesn't evaluate on this chart.)

	FRONT PILLAR : Al. 100x100x3mm
	FRONT BEAM : Al. 100x150x3mm
	FRONT PILLAR : St. 100x100x3mm
	FRONT BEAM : St. 100x150x3mm
	FRONT PILLAR : St. 100x100x5mm
	FRONT BEAM : St. 100x150x5mm

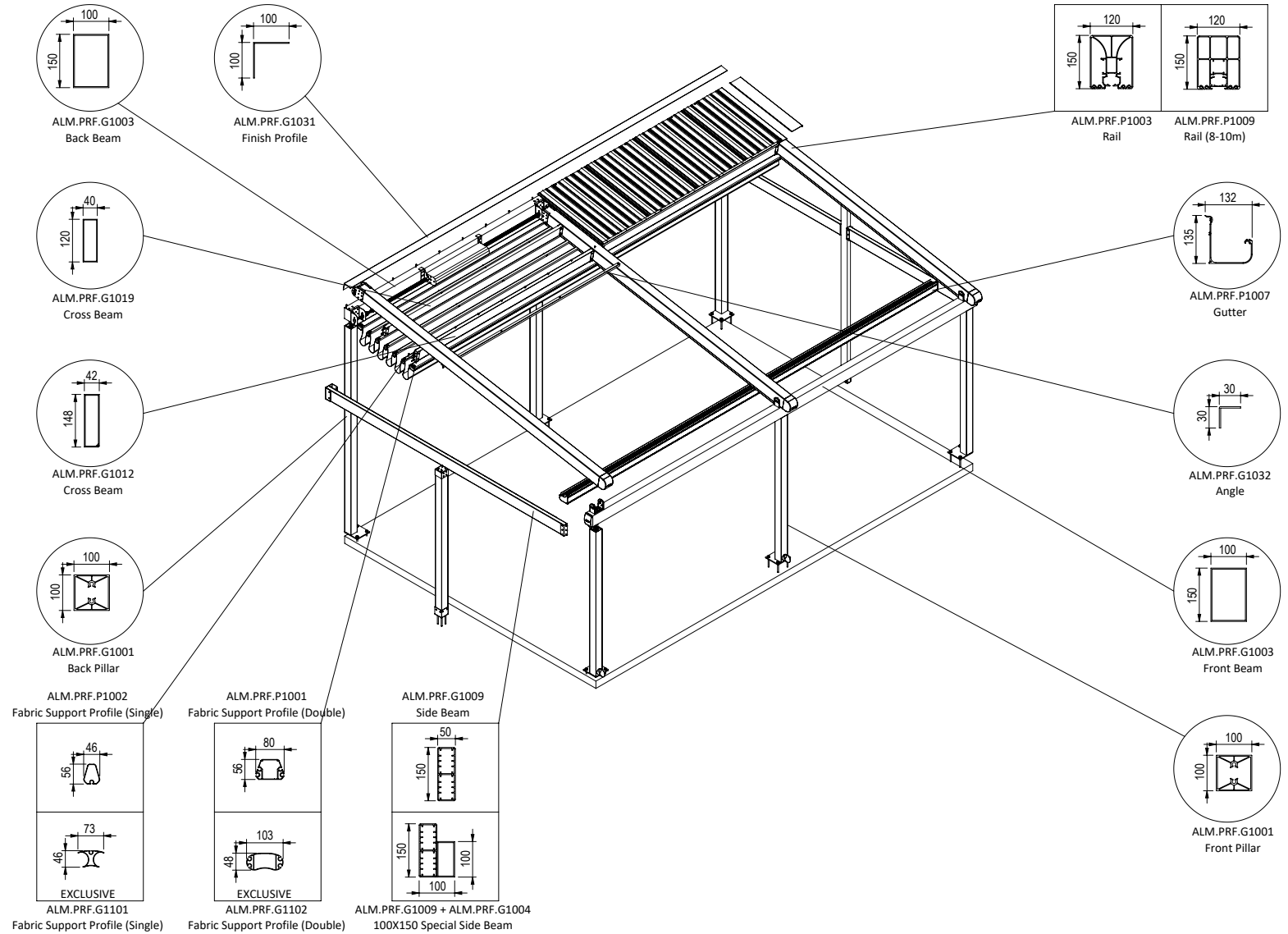
SILVER

Freestanding



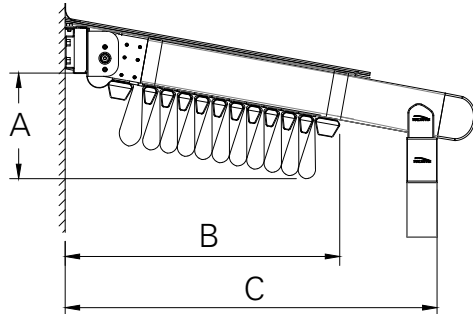
MAXIMUM DIMENSIONS

	WIDTH	PROJECTION
2 RAILS	450 cm	1000 cm
3 RAILS	900 cm	1000 cm
4 RAILS	1300 cm	700 cm



TECHNICAL FEATURES

COLLECTED FABRIC DIMENSIONS



Projection cm

No of Fabric Support Profiles	185	235	284	334	383	433	482	532	581	631	680	729	779	828	878	927	977	C
4	34																	61
5		35																68
6			36															74
7				37														81
8					38													87
9						39												94
10							40											100
11								41										107
12									42									113
14										44								126
16											45							139
17												46						146
18													47					152
19														48				159
20															49			165
																50		172
																	51	172

*Calculated according to a slope of 15%

DRAINAGE CALCULATION

Type	Max. m ²
Full	39 m ² /pc
Half	18 m ² /pc

* per drainage

There should be at least one drainage, each 8 m length gutter.

MINIMUM SLOPE CHART

Slope	Rail Center										
	200	225	250	275	300	325	350	375	400	425	450
6,4-7,9%	16	19	21	24	26	28	30	33	35	38	40
7,4-8,8%	20	23	26	29	31	34	37	40	42	45	48
8,4-9,7%	23	27	30	34	37	40	43	46	49	53	56
9,4-10,8%	27	31	35	39	42	46	49	53	57	61	64
10,4-12%	32	36	40	44	48	52	56	60	64	69	73
11,2-12,7%	36	41	45	50	54	59	63	68	72	77	81
12-13,4%	40	45	50	55	60	65	70	75	80	85	90
13-14,5%	44	50	55	61	66	72	77	83	88	94	99
14-15,7%	49	55	61	67	72	78	84	90	96	102	108
15-16,6%	54	60	66	73	79	85	91	98	104	111	117
16-17,6%	59	66	72	79	85	92	99	106	112	119	126
	63	70	77	85	92	99	106	114	121	129	136
	67	75	82	91	99	106	113	122	130	138	146
	71	79	87	97	106	113	120	130	139	148	156
	75	84	92	103	113	120	127	138	148	157	166
	79	88	97	109	120	127	134	146	157	167	176

*Note: Max. slope can be up to 25%

WIND RESISTANCE

For back height of system 30 cm should be added to slope value.

PROJECTION (cm)	WIDTH (cm)																	
	450	500	550	600	650	700	750	800	850	900	950	1000	1050	1100	1150	1200	1250	1300
400	11	11	11	11	11	11	11	11	11	11	11	11	11	11	11	11	11	11
450	11	11	11	11	11	11	11	11	10	10	11	11	11	11	11	11	11	11
500	11	11	11	11	11	10	10	10	10	9	11	11	11	11	11	11	11	11
550	11	11	11	10	10	10	9	9	9	9	11	11	11	11	10	10	10	10
600	11	10	10	10	10	9	9	8	8	8	11	10	10	10	10	10	10	10
650	10	10	9	9	9	9	9	8	8	8	10	10	9	9	9	9	9	9
700	10	9	9	9	9	8	8	8	8	8	10	9	9	9	9	9	9	9
750	9	9	8	8	8	8	8	7	7	7	9	9	8	8	8	8	8	8
800	9	8	8	8	8	7	7	7	7	7	9	8	8	8	8	8	8	8
850	8	8	8	8	7	7	7	7	7	7	8	8	8	8	8	8	8	8
900	8	8	7	7	7	7	7	7	6	6	8	8	7	7	7	7	7	7
950	7	7	7	7	7	6	6	6	6	6	7	7	7	7	7	7	7	7
1000	7	7	7	6	6	6	6	6	6	6	7	7	7	7	7	7	7	7

All sides open

PROJECTION (cm)	WIDTH (cm)																		
	450	500	550	600	650	700	750	800	850	900	950	1000	1050	1100	1150	1200	1250	1300	
400	11	11	10	10	10	9	9	9	9	8	8	11	11	10	10	10	10	9	9
450	11	10	10	10	10	9	9	9	9	8	8	11	10	10	10	10	10	9	9
500	10	10	10	10	10	9	9	9	9	8	8	10	10	10	10	10	10	9	9
550	10	10	10	10	10	9	9	9	9	8	8	10	10	10	10	10	10	9	9
600	10	9	9	9	9	9	9	9	8	8	8	10	9	9	9	9	9	9	9
650	9	9	9	9	9	9	9	9	8	8	8	9	9	9	9	9	9	9	9
700	9	9	9	9	9	9	9	9	8	8	8	9	9	9	9	9	9	9	9
750	9	9	9	9	9	8	8	8	8	8	8	9	9	9	9	9	9	8	8
800	8	8	8	8	8	8	8	8	8	8	8	8	8	8	8	8	8	8	8
850	8	8	8	8	8	8	8	8	8	8	8	8	8	8	8	8	8	8	8
900	8	8	8	8	8	8	8	8	8	8	8	8	8	8	8	8	8	8	8
950	8	8	8	8	8	8	8	8	8	8	8	8	8	8	8	8	8	8	8
1000	8	8	8	8	8	8	8	8	8	8	8	8	8	8	8	8	8	8	8

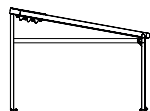
With side enclosure

*The values are given according to the Beaufort scale.

**Calculated for Products with a front height of 250 cm according to Eurocode EN 1991-1-4 Terrain Category 4.

*** You can ask for new calculations for special designs.

SILVER Freestanding



Projection	Width																							FS4	FS9-SPD
	2 RAILS					3 RAILS									4 RAILS										
	250 cm	300 cm	350 cm	400 cm	450 cm	500 cm	550 cm	600 cm	650 cm	700 cm	750 cm	800 cm	850 cm	900 cm	950 cm	1000 cm	1050 cm	1100 cm	1150 cm	1200 cm	1250 cm	1300 cm			
200 cm	€ 7.830	€ 8.160	€ 8.614	€ 9.077	€ 9.408	€ 11.275	€ 11.597	€ 11.920	€ 12.512	€ 12.787	€ 13.018	€ 13.337	€ 13.658	€ 13.979	€ 15.987	€ 16.303	€ 16.623	€ 16.942	€ 17.263	€ 17.516	€ 17.936	€ 18.419	€ 1.082	€ 73	
250 cm	€ 8.197	€ 8.693	€ 9.136	€ 9.478	€ 9.814	€ 11.814	€ 12.313	€ 12.642	€ 13.084	€ 13.369	€ 13.612	€ 14.105	€ 14.601	€ 14.766	€ 16.725	€ 17.053	€ 17.546	€ 17.874	€ 18.205	€ 18.465	€ 18.899	€ 19.390	€ 1.194	€ 100	
300 cm	€ 8.774	€ 9.326	€ 9.823	€ 10.219	€ 10.613	€ 12.806	€ 13.361	€ 13.750	€ 14.247	€ 14.583	€ 14.884	€ 15.432	€ 15.987	€ 16.210	€ 18.324	€ 18.710	€ 19.262	€ 19.644	€ 20.034	€ 20.341	€ 20.831	€ 21.377	€ 1.306	€ 128	
350 cm	€ 9.307	€ 9.712	€ 10.220	€ 10.782	€ 11.185	€ 13.521	€ 13.924	€ 14.488	€ 15.000	€ 15.340	€ 15.652	€ 16.214	€ 16.786	€ 17.013	€ 19.405	€ 19.801	€ 20.201	€ 20.595	€ 21.155	€ 21.473	€ 21.973	€ 22.369	€ 1.419	€ 156	
400 cm	€ 9.686	€ 10.101	€ 10.620	€ 11.192	€ 11.607	€ 14.074	€ 14.487	€ 15.061	€ 15.582	€ 15.935	€ 16.258	€ 16.830	€ 17.405	€ 17.651	€ 20.161	€ 20.569	€ 20.979	€ 21.386	€ 21.956	€ 22.282	€ 22.792	€ 23.199	€ 1.531	€ 184	
450 cm	€ 10.072	€ 10.497	€ 11.028	€ 11.610	€ 12.035	€ 14.641	€ 15.066	€ 15.652	€ 16.183	€ 16.545	€ 16.879	€ 17.462	€ 18.049	€ 18.303	€ 20.935	€ 21.353	€ 21.773	€ 22.191	€ 22.775	€ 23.105	€ 23.627	€ 24.044	€ 1.643	€ 212	
500 cm	€ 10.451	€ 10.888	€ 11.427	€ 12.022	€ 12.459	€ 15.198	€ 15.631	€ 16.227	€ 16.773	€ 17.141	€ 17.485	€ 18.080	€ 18.681	€ 19.789	€ 21.694	€ 22.125	€ 22.555	€ 22.983	€ 23.576	€ 23.917	€ 24.450	€ 26.038	€ 1.756	€ 239	
550 cm	€ 11.041	€ 11.689	€ 12.283	€ 12.931	€ 13.421	€ 16.372	€ 17.028	€ 17.516	€ 18.282	€ 18.703	€ 19.104	€ 19.756	€ 21.219	€ 21.744	€ 23.618	€ 24.129	€ 24.781	€ 25.268	€ 25.916	€ 26.302	€ 28.011	€ 28.699	€ 1.868	€ 267	
600 cm	€ 11.432	€ 12.090	€ 12.697	€ 13.355	€ 13.855	€ 16.940	€ 17.610	€ 18.110	€ 18.885	€ 19.314	€ 19.725	€ 20.389	€ 21.863	€ 22.399	€ 24.419	€ 24.916	€ 25.578	€ 26.075	€ 26.734	€ 27.130	€ 28.849	€ 29.547	€ 1.981	€ 295	
650 cm	€ 11.815	€ 12.484	€ 13.100	€ 13.768	€ 14.282	€ 17.502	€ 18.182	€ 18.694	€ 19.479	€ 19.846	€ 20.265	€ 21.703	€ 22.413	€ 22.962	€ 25.187	€ 25.698	€ 26.285	€ 26.876	€ 28.588	€ 29.030	€ 29.681	€ 30.389	€ 2.093	€ 323	
700 cm	€ 12.199	€ 12.878	€ 13.503	€ 14.184	€ 14.707	€ 18.065	€ 18.754	€ 19.279	€ 20.077	€ 20.447	€ 20.879	€ 22.329	€ 23.055	€ 23.608	€ 25.955	€ 26.474	€ 27.157	€ 27.676	€ 29.402	€ 29.850	€ 30.512	€ 31.231	€ 2.205	€ 350	
750 cm	€ 13.082	€ 13.771	€ 14.408	€ 15.096	€ 15.629	€ 19.124	€ 19.824	€ 20.358	€ 21.169	€ 21.547	€ 22.715	€ 23.447	€ 24.183	€ 25.131	€ 27.222	€ 27.751	€ 28.445	€ 29.978	€ 30.710	€ 31.168	€ 31.838		€ 2.318	€ 619	
800 cm	€ 13.671	€ 14.417	€ 15.106	€ 15.851	€ 16.440	€ 20.135	€ 20.891	€ 21.482	€ 23.512	€ 24.695	€ 25.300	€ 26.154	€ 27.014	€ 28.088	€ 30.510	€ 32.085	€ 32.943	€ 33.635	€ 34.493	€ 35.066			€ 2.430	€ 647	
850 cm	€ 14.244	€ 15.002	€ 15.703	€ 16.460	€ 17.059	€ 20.808	€ 21.577	€ 22.177	€ 24.871	€ 25.411	€ 26.025	€ 26.892	€ 28.132	€ 28.848	€ 32.205	€ 32.905	€ 33.775	€ 34.477	€ 35.347				€ 2.542	€ 674	
900 cm	€ 14.637	€ 15.990	€ 16.759	€ 17.583	€ 18.249	€ 22.161	€ 22.998	€ 24.276	€ 25.264	€ 25.804	€ 26.418	€ 27.284	€ 28.525	€ 29.241	€ 32.598	€ 33.298	€ 34.168	€ 34.870					€ 2.655	€ 702	
950 cm	€ 15.030	€ 16.383	€ 17.152	€ 17.976	€ 18.642	€ 22.554	€ 23.390	€ 24.668	€ 25.657	€ 26.197	€ 26.810	€ 27.677	€ 28.918	€ 29.633	€ 32.990	€ 33.691	€ 34.561						€ 2.767	€ 730	
1000 cm	€ 15.422	€ 16.776	€ 17.545	€ 18.369	€ 19.035	€ 22.947	€ 24.354	€ 25.061	€ 28.267	€ 28.850	€ 29.505	€ 30.414	€ 31.696	€ 32.454	€ 36.410	€ 37.152							€ 2.880	€ 758	
FS3	€ 219	€ 230	€ 251	€ 276	€ 298	€ 321	€ 344	€ 367	€ 390	€ 413	€ 530	€ 553	€ 576	€ 599	€ 623	€ 646	€ 669	€ 692	€ 715	€ 737	€ 760	€ 783			
FS5-A	€ 40	€ 51	€ 60	€ 68	€ 79	€ 88	€ 98	€ 107	€ 118	€ 126	€ 137	€ 146	€ 156	€ 165	€ 176	€ 184	€ 195	€ 204	€ 214	€ 223	€ 234	€ 242			
FS5-E	€ 56	€ 70	€ 82	€ 94	€ 109	€ 121	€ 135	€ 147	€ 162	€ 174	€ 189	€ 201	€ 215	€ 227	€ 242	€ 254	€ 268	€ 280	€ 295	€ 307	€ 322	€ 334			

Side beam pillar is included in the price

FS3	Gutter System
FS5-A	Additional Fabric Support Profile (Standard)
FS5-E	Additional Fabric Support Profile (3 Axis)
FS4	Additional Rail - Al.- 120x150mm
FS8	Lighting System
FS9-SPD	Price difference between Al. 50x150mm to Al. 100x150mm Special side beam and Al. 50x100mm to Al. 100x100mm side beam pillar

FS8	
FS8-S	SPOT
FS8-L	LINEAR
FS8-E	3 AXIS ⁷
FS8-LR	LINEAR (RGB)
FS8-ER	3 AXIS (RGB) ⁷

LED TYPE & MODULE		
2 LED	3 LED	4 LED
€ 151	€ 183	€ 216
€ 216	€ 280	
€ 248	€ 323	
€ 274	€ 356	
€ 315	€ 409	

Notes:

- FS9- Side Beam (Al. 50x150mm) is included in the price for right and left side. For other option which is FS9-S (Al. 100x150mm) Special Side Beam is extra cost. The difference of the cost applies with FS9-SPD option code and for only one side of the pergola. If 100x150 mm aluminum box profile is preferred as side beam, there will be no price difference, but this should be stated in the technical drawing.
- If the projection is bigger than 700cm, a side beam pillar needs to be added up to rail (FS15 or FS15-B), FS15 Side Beam Pillar (Al. 50x100mm) included in the product price. FS15-B Side beam (Al. 100x100mm) included in FS9-SPD option.
- FS Flexy Plain/3D or Stam 6002 is included in the price.
- Motor and Remote control is included in the price.
- Palmye Aluminium Coating Catalogue includes the standard colours with no extra cost. For any other type/brand/color of paint, price difference and additional delivery duration shall be checked from your customer representative.
- Standard fabric support profile plastic colours are specified in Palmye Aluminium Coating Catalogue.
- 3 AXIS lights available only at exclusive fabric option.
- In pergolas including steel front pillars, if gutter option is preferred, external water drainage points will be specified according to the Project and will be priced additionally.

DEDUCTIONS

Price deduction is applicable only for pillars and beam. Deduction amount shall be consider as 70% of related option price.

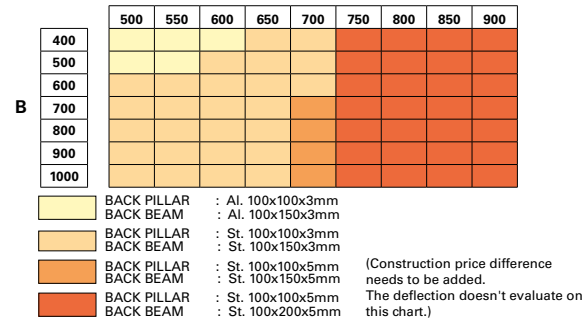
OPTIONS

FS10	Extra pillar (100x100mm Al.)	€ 500	pcs
FS10-ST3	Extra pillar (100x100x3mm St.)	€ 479	pcs
FS10-ST5	Extra pillar (100x100x5mm St.)	€ 698	pcs
FS11	Deco ceiling cover	€ 66	m ²
FS15	Side beam pillar (50x100mm - Al)	€ 259	pcs
FS15-B	Side beam pillar (100x100mm - Al)	€ 500	pcs
FS19	Fix louver	€ 68	lm
FS23	External Square Downpipe	€ 306	pcs
FS24	W96 Ceiling Cover	€ 76	m ²
FS26	Exclusive fabric difference (up to 800cm width)	€ 45	m ²
FS27	3 Axis lighting fabric support profile difference	€ 13	m ²
FS29-1	Sun Sensor (SUNIS) (for single motor)	€ 567	pcs
FS29-1S	Sun Sensor (SUNIS) (for synchronized motor)	€ 903	pcs
FS29-2	Wind Sensor (EOLIS RTS) (for single motor)	€ 267	pcs
FS29-2S	Wind Sensor (EOLIS RTS) (for synchronized motor)	€ 600	pcs
FS29-3	Sun and Wind Sensor (SOLIRIS RTS) (for single motor)	€ 302	pcs
FS29-3S	Sun and Wind Sensor (SOLIRIS RTS) (for synchronized motor)	€ 635	pcs
FS29-4 ^{2/3}	Rain Sensor (ONDEIS) (for single motor)	€ 524	pcs
FS29-4S ^{2/3}	Rain Sensor (ONDEIS) (for synchronized motor)	€ 856	pcs
FS30	CONNEXOON	€ 479	pcs

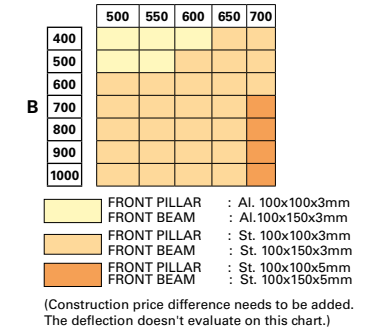
Notes:

1. Fabric support profiles can be painted in the same color as the general construction. No fee is paid for this process. However, the plastic color should be specified from our standard plastic colours in Palmiye Color Chart.
2. For one product, a dry contact transmitter costing 337€, must be added.
3. Up to 5 products, a RS485 Automation interface dry contact transmitter costing 1027€, must be added.
4. Exclusive fabric option can only be selected together with 3 axis fabric support profile. Price difference for 3 axis fabric profile should be added.

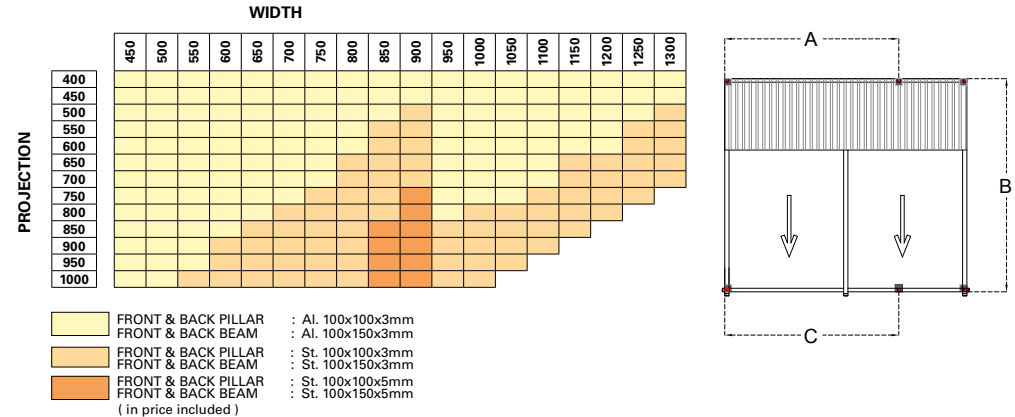
BACK PILLAR POSITION CHANGE



FRONT PILLAR POSITION CHANGE



STANDARD CONSTRUCTION



EXTENSIONS

Rail	- 120x150mm	€ 308	lm
Beam	Al. 100x150mm	€ 141	lm
Beam	St. 100x150x3mm	€ 292	lm
Beam	St. 100x150x5mm	€ 354	lm
Beam	St. 100x200x3mm	€ 296	lm
Beam	St. 100x200x5mm	€ 421	lm
Fabric protection cover	Al. - 63x__cm	€ 55	m ²
Gutter	Special Profile	€ 41	lm
Pillar	Al. 100x100mm	€ 158	lm
Pillar	St. 100x100x3mm	€ 198	lm
Pillar	St. 100x100x5mm	€ 354	lm
Pillar	St. 150x150x3mm	€ 401	lm
Pillar	St. 150x150x5mm	€ 562	lm

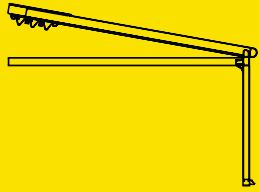
PRICE DIFFERENCE

		BEAM GROUP	
		Standard	Al. 100x150mm
Beam	to	St. 100x150x3mm	€ 146 lm
		St. 100x150x5mm	€ 217 lm
		St. 100x200x3mm	€ 150 lm
		St. 100x200x5mm	€ 283 lm
		PILLAR GROUP	
		Standard	Al. 100x100mm
Pillar	to	St. 100x100x3mm	€ 101 pcs
		St. 100x100x5mm	€ 416 pcs
		St. 150x150x3mm	€ 635 pcs
		St. 150x150x5mm	€ 1.124 pcs

*Max. Al. Front pillar (Al. 100x100mm) height is 280cm
 *Max. St 3mm. Front pillar (St. 100x100x3mm) height is 380cm
 *Max. St. 5mm Front pillar (St. 100x100x5mm) height is 480cm

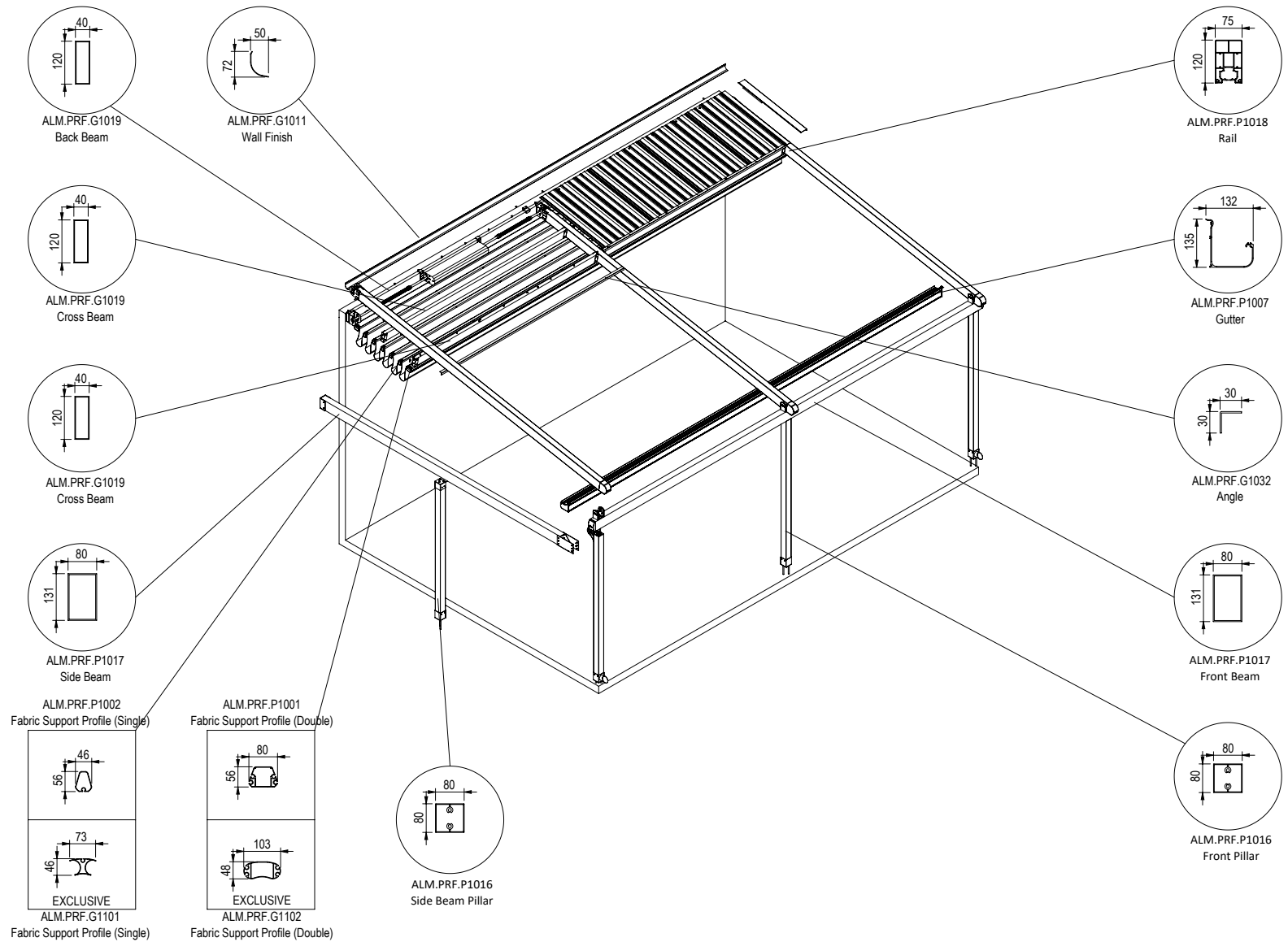
SILVER

Compact Wall / Ceiling



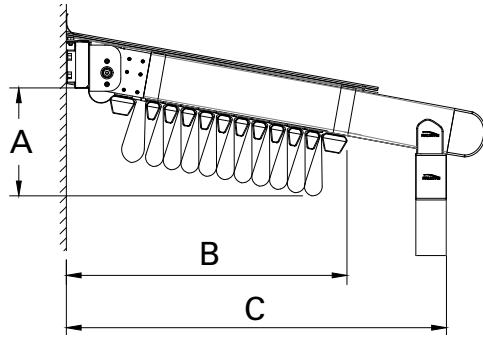
MAXIMUM DIMENSIONS

	WIDTH	PROJECTION
2 RAILS	450 cm	600 cm
3 RAILS	900 cm	600 cm
4 RAILS	1300 cm	600 cm



TECHNICAL FEATURES

COLLECTED FABRIC DIMENSIONS



Projection cm		
	185 235 284 334 383 433 482 532 581	C
No of Fabric Support Profiles	4 34	61
	5 35	68
	6 36	74
	7 37	81
	8 38	87
	9 39	94
	10 40	100
	11 41	107
	13 43	120

*Calculated according to a slope of 15%

DRAINAGE CALCULATION

Type	Max. m ²
Compact	30 m ² /pc

* per drainage

There should be at least one drainage, each 8 m length gutter.

MINIMUM SLOPE CHART

Slope	6,4-7,9%	7,4-8,8%	8,4-9,7%	9,4-10,8%	10,4-12%	11,2-12,7%	12-13,4%	13-14,5%	14-15,7%	15-16,6%	16-17,6%	
Rail Center												
	200	225	250	275	300	325	350	375	400	425	450	
Projection	250	11	14	16	19	21	23	25	28	30	33	35
	300	15	18	21	24	26	29	32	35	37	40	43
	350	18	22	25	29	32	35	38	41	44	48	51
	400	22	26	30	34	37	41	44	48	52	56	59
	450	27	31	35	39	43	47	51	55	59	64	68
	500	31	36	40	45	49	54	58	63	67	72	76
	550	35	40	45	50	55	60	65	70	75	80	85
	600	39	45	50	56	61	67	72	78	83	89	94

*Note: Max. slope can be up to 25%

For back height of system 25 cm should be added to slope value.

WIND RESISTANCE

PROJECTION (cm)	WIDTH (cm)																	
	450	500	550	600	650	700	750	800	850	900	950	1000	1050	1100	1150	1200	1250	1300
400	11	11	11	11	10	10	10	10	10	10	11	11	11	11	11	10	10	10
450	11	11	10	10	10	9	9	9	9	9	11	11	10	10	10	10	10	10
500	10	10	9	9	9	9	9	8	8	8	10	10	9	9	9	9	9	9
550	9	9	9	9	8	8	8	8	8	7	9	9	9	9	9	9	8	8
600	9	9	8	8	8	8	7	7	7	6	9	9	8	8	8	8	8	8

All sides open

PROJECTION (cm)	WIDTH (cm)																	
	450	500	550	600	650	700	750	800	850	900	950	1000	1050	1100	1150	1200	1250	1300
400	9	9	9	9	9	9	9	8	8	8	9	9	9	9	9	9	9	9
450	9	9	8	8	8	8	8	8	8	7	9	9	8	8	8	8	8	8
500	8	8	8	8	8	8	7	7	7	7	8	8	8	8	8	8	8	8
550	8	8	7	7	7	7	7	7	7	7	8	8	7	7	7	7	7	7
600	7	7	7	7	7	6	6	6	6	6	7	7	7	7	7	7	7	7

With side enclosure

*The values are given according to the Beaufort scale.

**Calculated for Products with a front height of 250 cm according to Eurocode EN 1991-1-4 Terrain Category 4.

*** You can ask for new calculations for special designs.

SILVER Compact Wall / Ceiling



Projection	Width																				FS4 FS10-C	FS9-C		
	2 RAILS					3 RAILS									4 RAILS									
	250 cm	300 cm	350 cm	400 cm	450 cm	500 cm	550 cm	600 cm	650 cm	700 cm	750 cm	800 cm	850 cm	900 cm	950 cm	1000 cm	1050 cm	1100 cm	1150 cm	1200 cm	1250 cm	1300 cm		
200 cm	€ 5.137	€ 5.386	€ 5.736	€ 6.091	€ 6.340	€ 7.445	€ 7.687	€ 7.930	€ 8.389	€ 8.592	€ 8.759	€ 8.998	€ 9.237	€ 9.476	€ 10.692	€ 10.926	€ 11.163	€ 11.402	€ 11.639	€ 11.823	€ 12.141	€ 12.510	€ 1.255	€ 183
250 cm	€ 5.357	€ 5.739	€ 6.081	€ 6.339	€ 6.591	€ 7.802	€ 8.186	€ 8.433	€ 8.771	€ 8.981	€ 9.159	€ 9.536	€ 9.917	€ 10.031	€ 11.204	€ 11.448	€ 11.825	€ 12.069	€ 12.315	€ 12.503	€ 12.832	€ 13.206	€ 1.348	€ 219
300 cm	€ 5.746	€ 6.175	€ 6.557	€ 6.859	€ 7.158	€ 8.524	€ 8.952	€ 9.247	€ 9.628	€ 9.881	€ 10.103	€ 10.524	€ 10.951	€ 11.112	€ 12.409	€ 12.699	€ 13.123	€ 13.409	€ 13.701	€ 13.928	€ 14.300	€ 14.719	€ 1.441	€ 258
350 cm	€ 6.100	€ 6.409	€ 6.799	€ 7.235	€ 7.542	€ 9.020	€ 9.326	€ 9.761	€ 10.154	€ 10.408	€ 10.640	€ 11.072	€ 11.513	€ 11.675	€ 13.194	€ 13.491	€ 13.792	€ 14.089	€ 14.517	€ 14.751	€ 15.132	€ 15.429	€ 1.534	€ 295
400 cm	€ 6.328	€ 6.644	€ 7.044	€ 7.486	€ 7.802	€ 9.386	€ 9.700	€ 10.142	€ 10.541	€ 10.806	€ 11.045	€ 11.485	€ 11.928	€ 12.105	€ 13.718	€ 14.024	€ 14.333	€ 14.639	€ 15.074	€ 15.315	€ 15.704	€ 16.008	€ 1.625	€ 334
450 cm	€ 6.560	€ 6.885	€ 7.294	€ 7.745	€ 8.068	€ 9.761	€ 10.084	€ 10.535	€ 10.943	€ 11.214	€ 11.463	€ 11.911	€ 12.361	€ 12.546	€ 14.253	€ 14.569	€ 14.884	€ 15.198	€ 15.646	€ 15.888	€ 16.286	€ 16.598	€ 1.718	€ 370
500 cm	€ 6.789	€ 7.122	€ 7.537	€ 7.996	€ 8.329	€ 10.128	€ 10.456	€ 10.915	€ 11.335	€ 11.610	€ 11.866	€ 12.324	€ 12.785	€ 12.976	€ 14.777	€ 15.101	€ 15.425	€ 15.746	€ 16.201	€ 16.451	€ 16.856	€ 17.179	€ 1.811	€ 409
550 cm	€ 7.185	€ 7.687	€ 8.146	€ 8.648	€ 9.024	€ 10.990	€ 11.496	€ 11.868	€ 12.464	€ 12.779	€ 13.082	€ 13.584	€ 14.091	€ 14.458	€ 16.233	€ 16.620	€ 17.121	€ 17.488	€ 17.986	€ 18.271	€ 18.720	€ 19.217	€ 1.904	€ 446
600 cm	€ 7.421	€ 7.931	€ 8.401	€ 8.909	€ 9.292	€ 11.364	€ 11.882	€ 12.262	€ 12.863	€ 13.186	€ 13.495	€ 14.007	€ 14.521	€ 14.898	€ 16.786	€ 17.162	€ 17.670	€ 18.046	€ 18.550	€ 18.845	€ 19.301	€ 19.804	€ 1.997	€ 485
FS3	€ 219	€ 230	€ 251	€ 276	€ 298	€ 321	€ 344	€ 367	€ 390	€ 413	€ 530	€ 553	€ 576	€ 599	€ 623	€ 646	€ 669	€ 692	€ 715	€ 737	€ 760	€ 783		
FS5-A	€ 40	€ 51	€ 60	€ 68	€ 79	€ 88	€ 98	€ 107	€ 118	€ 126	€ 137	€ 146	€ 156	€ 165	€ 176	€ 184	€ 195	€ 204	€ 214	€ 223	€ 234	€ 242		
FS5-E	€ 56	€ 70	€ 82	€ 94	€ 109	€ 121	€ 135	€ 147	€ 162	€ 174	€ 189	€ 201	€ 215	€ 227	€ 242	€ 254	€ 268	€ 280	€ 295	€ 307	€ 322	€ 334		

FS3	Gutter System
FS5-A	Additional Fabric Support Profile (Standard)
FS5-E	Additional Fabric Support Profile (3 Axis)
FS4 FS10-C	Additional Rail for Compact Series- AL - 75x120mm Additional Pillar for Compact Series- AL - 80x80mm
FS8	Lighting System
FS9-C	Side Beam for Compact Series- AL - 80x130mm

FS8	
FS8-S	SPOT
FS8-L	LINEAR
FS8-E	3 AXIS ⁶
FS8-LR	LINEAR (RGB)
FS8-ER	3 AXIS (RGB) ⁶

LEDTYPE & MODULE		
2 LED	3 LED	4 LED
€ 151	€ 183	€ 216
€ 216	€ 280	
€ 248	€ 323	
€ 274	€ 356	
€ 315	€ 409	

Notes:

- Any side beam is not included in the price.
- FS Flexy Plain/3D or Stam 6002 is included in the price.
- Motor and Remote control is included in the price.
- Palmiye Aluminium Coating Catalogue includes the standard colours with no extra cost. For any other type/brand/coulour of paint, price difference and additional delivery duration shall be checked from your customer representative.
- Standard fabric support profile plastic colours are specified in Palmiye Aluminium Coating Catalogue.
- 3 AXIS lights available only at exclusive fabric option.

DEDUCTION

Price deduction is applicable only for pillars and beam. Deduction amount shall be considered as 70% of related option price.

OPTIONS

FS10-C	Extra pillar (80x80mm Al.)	€ 368	pcs
FS10	Extra pillar (100x100mm Al.)	€ 500	pcs
FS10-ST3	Extra pillar (100x100x3mm St.)	€ 479	pcs
FS10-ST5	Extra pillar (100x100x5mm St.)	€ 698	pcs
FS11	Deco ceiling cover	€ 66	m ²
FS15-C	Side beam pillar (80x80mm - Al)	€ 368	pcs
FS19	Fix louver	€ 68	lm
FS23	External Square Downpipe	€ 306	pcs
FS24	W96 Ceiling Cover	€ 76	m ²
FS26	Exclusive fabric difference (up to 800cm width)	€ 45	m ²
FS27	3 Axis lighting fabric support profile difference	€ 13	m ²
FS29-1	Sun Sensor (SUNIS) (for single motor)	€ 567	pcs
FS29-1S	Sun Sensor (SUNIS) (for synchronized motor)	€ 903	pcs
FS29-2	Wind Sensor (EOLIS RTS) (for single motor)	€ 267	pcs
FS29-2S	Wind Sensor (EOLIS RTS) (for synchronized motor)	€ 600	pcs
FS29-3	Sun and Wind Sensor (SOLIRIS RTS) (for single motor)	€ 302	pcs
FS29-3S	Sun and Wind Sensor (SOLIRIS RTS) (for synchronized motor)	€ 635	pcs
FS29-4 ^{2/3}	Rain Sensor (ONDEIS) (for single motor)	€ 524	pcs
FS29-4S ^{2/3}	Rain Sensor (ONDEIS) (for synchronized motor)	€ 856	pcs
FS30	CONNEXOON	€ 479	pcs

Notes:

1. Fabric support profiles can be painted in the same color as the general construction. No fee is paid for this process. However, the plastic color should be specified from our standard plastic colours in Palmiye Color Chart.
2. For one product, a dry contact transmitter costing 337€, must be added.
3. Up to 5 products, a RS485 Automation interface dry contact transmitter costing 1027€, must be added.
4. Exclusive fabric option can only be selected together with 3 axis fabric support profile. Price difference for 3 axis fabric profile should be added.

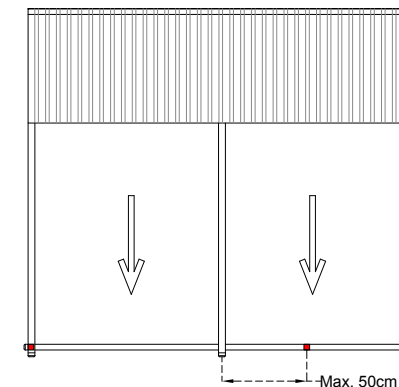
EXTENSIONS

Rail	Compact - 75x120mm	€ 188	lm
Beam	Al. 40x120mm	€ 61	lm
Beam	Al. 42x150mm	€ 96	lm
Beam	Al. 50x150mm	€ 169	lm
Beam	Al. 80x130mm	€ 90	lm
Beam	Al. 100x150mm	€ 141	lm
Beam	St. 100x150x3mm	€ 292	lm
Beam	St. 100x150x5mm	€ 354	lm
Beam	St. 100x200x3mm	€ 296	lm
Beam	St. 100x200x5mm	€ 421	lm
Fabric protection cover	Al. - 63x___cm	€ 55	m ²
Gutter	Special Profile	€ 41	lm
Pillar	Al. 80x80mm	€ 83	lm
Pillar	Al. 100x100mm	€ 158	lm
Pillar	St. 100x100x3mm	€ 198	lm
Pillar	St. 100x100x5mm	€ 354	lm
Pillar	St. 150x150x3mm	€ 401	lm
Pillar	St. 150x150x5mm	€ 562	lm

*Max. Al. Front pillar (Al. 80x80mm) height is 280cm

*Max. St 3mm. Front pillar (St. 100x100x3mm) height is 380cm

*Max. St. 5mm Front pillar (St. 100x100x5mm) height is 480cm



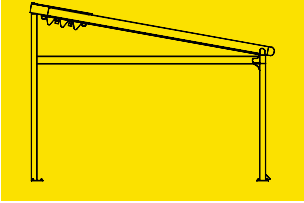
Middle front pillars can only be moved max. 50 cm towards right or left side.

PRICE DIFFERENCE

		BEAM GROUP				PILLAR GROUP				
		Standard	Al. 40x120mm			Standard	Al. 80x80mm			
Back Beam	to		Al. 42x150mm	€ 36	lm			Al. 100x100mm	€ 130	pcs
			Al. 50x150mm	€ 111	lm			St. 100x100x3mm	€ 270	pcs
			Al. 80x130mm	€ 29	lm			St. 100x100x5mm	€ 585	pcs
			St. 50x150x3mm	€ 142	lm			St. 150x150x3mm	€ 804	pcs
			St. 50x150x5mm	€ 223	lm			St. 150x150x5mm	€ 1.292	pcs
			Al. 100x150mm	€ 81	lm					
			St. 100x150x3mm	€ 239	lm					
			St. 100x150x5mm	€ 307	lm					
			St. 100x200x3mm	€ 243	lm					
			St. 100x200x5mm	€ 374	lm					
Front Beam	to		Al. 80x130mm							
			Al. 100x150mm	€ 52	lm					
			St. 100x150x3mm	€ 214	lm					
			St. 100x150x5mm	€ 285	lm					
			St. 100x200x3mm	€ 218	lm					
	St. 100x200x5mm	€ 351	lm							

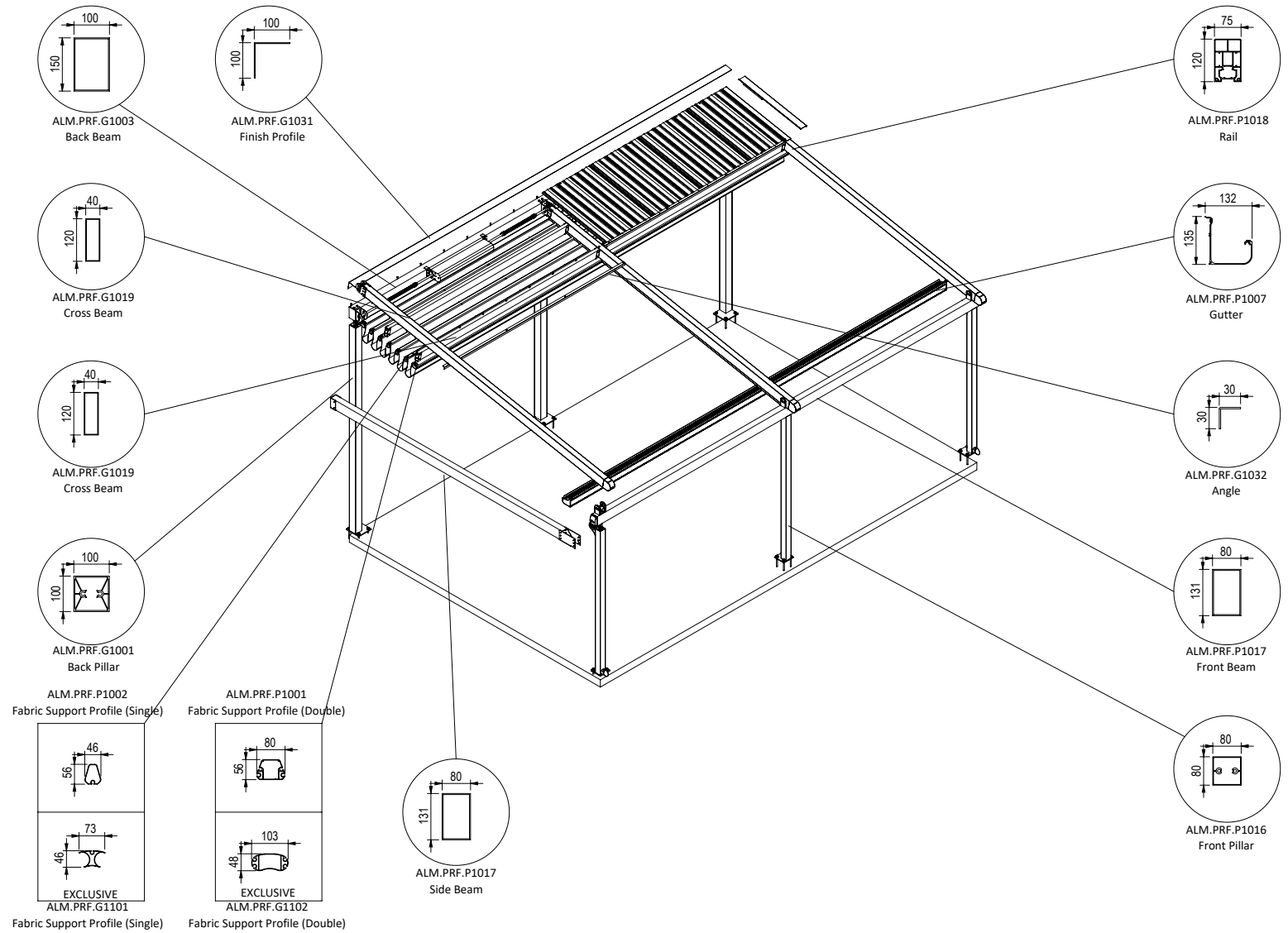
SILVER

Compact Freestanding



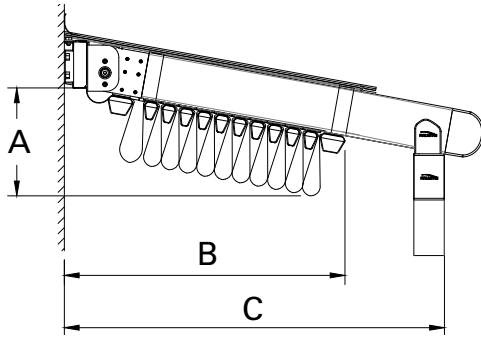
MAXIMUM DIMENSIONS

	WIDTH	PROJECTION
2 RAILS	450 cm	600 cm
3 RAILS	900 cm	600 cm
4 RAILS	1300 cm	600 cm



TECHNICAL FEATURES

COLLECTED FABRIC DIMENSIONS



No of Fabric Support Profiles	Projection cm										C
	185	235	284	334	383	433	482	532	581		
4	34										61
5		35									68
6			36								74
7				37							81
8					38						87
9						39					94
10							40				100
11								41			107
13									43		120

*Calculated according to a slope of 15%

DRAINAGE CALCULATION

Type	Max. m ²
Compact	30 m ² /pc

* per drainage

There should be at least one drainage, each 8 m length gutter.

MINIMUM SLOPE CHART

Slope	Rail Center										
	200	225	250	275	300	325	350	375	400	425	450
6,4-7,9%	11	14	16	19	21	23	25	28	30	33	35
7,4-8,8%	15	18	21	24	26	29	32	35	37	40	43
8,4-9,7%	18	22	25	29	32	35	38	41	44	48	51
9,4-10,8%	22	26	30	34	37	41	44	48	52	56	59
10,4-12%	27	31	35	39	43	47	51	55	59	64	68
11,2-12,7%	31	36	40	45	49	54	58	63	67	72	76
12-13,4%	35	40	45	50	55	60	65	70	75	80	85
13-14,5%	39	45	50	56	61	67	72	78	83	89	94

*Note: Max. slope can be up to 25%

For back height of system 25 cm should be added to slope value.

WIND RESISTANCE

PROJECTION (cm)	WIDTH (cm)																	
	450	500	550	600	650	700	750	800	850	900	950	1000	1050	1100	1150	1200	1250	1300
400	11	11	11	11	10	10	10	10	10	10	11	11	11	11	11	11	10	10
450	11	11	10	10	10	9	9	9	9	9	11	11	10	10	10	10	10	10
500	10	10	9	9	9	9	9	8	8	8	10	10	9	9	9	9	9	9
550	9	9	9	9	8	8	8	8	8	7	9	9	9	9	9	9	8	8
600	9	9	8	8	8	8	7	7	7	6	9	9	8	8	8	8	8	8

All sides open

PROJECTION (cm)	WIDTH (cm)																	
	450	500	550	600	650	700	750	800	850	900	950	1000	1050	1100	1150	1200	1250	1300
400	9	9	9	9	9	9	9	8	8	8	9	9	9	9	9	9	9	9
450	9	9	8	8	8	8	8	8	8	7	9	9	8	8	8	8	8	8
500	8	8	8	8	8	8	7	7	7	7	8	8	8	8	8	8	8	8
550	8	8	7	7	7	7	7	7	7	7	8	8	7	7	7	7	7	7
600	7	7	7	7	7	6	6	6	6	6	7	7	7	7	7	7	7	7

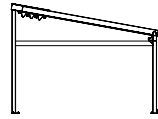
With side enclosure

*The values are given according to the Beaufort scale.

**Calculated for Products with a front height of 250 cm according to Eurocode EN 1991-1-4 Terrain Category 4.

*** You can ask for new calculations for special designs.

SILVER Compact Freestanding



Projection	Width																				FS4 FS10-C		
	2 RAILS					3 RAILS										4 RAILS							
	250 cm	300 cm	350 cm	400 cm	450 cm	500 cm	550 cm	600 cm	650 cm	700 cm	750 cm	800 cm	850 cm	900 cm	950 cm	1000 cm	1050 cm	1100 cm	1150 cm	1200 cm	1250 cm	1300 cm	
200 cm	€ 6.516	€ 6.785	€ 7.156	€ 7.532	€ 7.801	€ 9.387	€ 9.650	€ 9.913	€ 10.393	€ 10.616	€ 10.804	€ 11.064	€ 11.323	€ 11.583	€ 13.279	€ 13.534	€ 13.792	€ 14.051	€ 14.309	€ 14.514	€ 14.852	€ 15.241	€ 1.255
250 cm	€ 6.807	€ 7.210	€ 7.572	€ 7.851	€ 8.124	€ 9.815	€ 10.220	€ 10.488	€ 10.847	€ 11.077	€ 11.275	€ 11.673	€ 12.074	€ 12.209	€ 13.863	€ 14.128	€ 14.526	€ 14.790	€ 15.057	€ 15.265	€ 15.615	€ 16.009	€ 1.348
300 cm	€ 7.272	€ 7.721	€ 8.124	€ 8.447	€ 8.766	€ 10.613	€ 11.062	€ 11.378	€ 11.779	€ 12.052	€ 12.294	€ 12.737	€ 13.184	€ 13.365	€ 15.143	€ 15.454	€ 15.898	€ 16.206	€ 16.518	€ 16.766	€ 17.158	€ 17.597	€ 1.441
350 cm	€ 7.697	€ 8.026	€ 8.438	€ 8.894	€ 9.222	€ 11.181	€ 11.507	€ 11.963	€ 12.376	€ 12.651	€ 12.904	€ 13.356	€ 13.817	€ 14.000	€ 16.000	€ 16.318	€ 16.639	€ 16.957	€ 17.406	€ 17.660	€ 18.061	€ 18.379	€ 1.534
400 cm	€ 8.001	€ 8.337	€ 8.757	€ 9.220	€ 9.556	€ 11.621	€ 11.956	€ 12.419	€ 12.839	€ 13.124	€ 13.384	€ 13.845	€ 14.307	€ 14.505	€ 16.600	€ 16.926	€ 17.255	€ 17.581	€ 18.037	€ 18.299	€ 18.708	€ 19.033	€ 1.625
450 cm	€ 8.305	€ 8.650	€ 9.080	€ 9.551	€ 9.894	€ 12.069	€ 12.412	€ 12.883	€ 13.312	€ 13.604	€ 13.874	€ 14.341	€ 14.813	€ 15.018	€ 17.206	€ 17.542	€ 17.878	€ 18.213	€ 18.681	€ 18.944	€ 19.362	€ 19.695	€ 1.718
500 cm	€ 8.608	€ 8.962	€ 9.397	€ 9.877	€ 10.231	€ 12.511	€ 12.859	€ 13.339	€ 13.779	€ 14.075	€ 14.352	€ 14.830	€ 15.311	€ 15.523	€ 17.805	€ 18.150	€ 18.495	€ 18.836	€ 19.311	€ 19.582	€ 20.007	€ 20.351	€ 1.811
550 cm	€ 9.076	€ 9.599	€ 10.078	€ 10.601	€ 10.997	€ 13.445	€ 13.971	€ 14.363	€ 14.980	€ 15.316	€ 15.639	€ 16.161	€ 16.689	€ 17.076	€ 19.333	€ 19.741	€ 20.262	€ 20.649	€ 21.168	€ 21.474	€ 21.943	€ 22.461	€ 1.904
600 cm	€ 9.387	€ 9.918	€ 10.408	€ 10.937	€ 11.340	€ 13.894	€ 14.431	€ 14.833	€ 15.454	€ 15.797	€ 16.127	€ 16.660	€ 17.194	€ 17.592	€ 19.961	€ 20.357	€ 20.886	€ 21.282	€ 21.807	€ 22.123	€ 22.599	€ 23.123	€ 1.997
FS3	€ 219	€ 230	€ 251	€ 276	€ 298	€ 321	€ 344	€ 367	€ 390	€ 413	€ 530	€ 553	€ 576	€ 599	€ 623	€ 646	€ 669	€ 692	€ 715	€ 737	€ 760	€ 783	
FS5-A	€ 40	€ 51	€ 60	€ 68	€ 79	€ 88	€ 98	€ 107	€ 118	€ 126	€ 137	€ 146	€ 156	€ 165	€ 176	€ 184	€ 195	€ 204	€ 214	€ 223	€ 234	€ 242	
FS5-E	€ 56	€ 70	€ 82	€ 94	€ 109	€ 121	€ 135	€ 147	€ 162	€ 174	€ 189	€ 201	€ 215	€ 227	€ 242	€ 254	€ 268	€ 280	€ 295	€ 307	€ 322	€ 334	

FS3	Gutter System
FS5-A	Additional Fabric Support Profile (Standard)
FS5-E	Additional Fabric Support Profile (3 Axis)
FS4 FS10-C	Additional Rail for Compact Series- Al. - 75x120mm Additional Pillar for Compact Series- Al. - 80x80mm
FS8	Lighting System

FS8	
FS8-S	SPOT
FS8-L	LINEAR
FS8-E	3 AXIS ⁸
FS8-LR	LINEAR (RGB)
FS8-ER	3 AXIS (RGB) ⁸

LED TYPE & MODULE		
2 LED	3 LED	4 LED
€ 151	€ 183	€ 216
€ 216	€ 280	
€ 248	€ 323	
€ 274	€ 356	
€ 315	€ 409	

Notes:

- FS9-C- Side Beam (Al. 80x130mm) is included in the price for right and left side.
- FS Flexy Plain/3D or Stam 6002 is included in the price.
- Motor and Remote control is included in the price.
- Palmye Aluminium Coating Catalogue includes the standard colours with no extra cost. For any other type/brand/color of paint, price difference and additional delivery duration shall be checked from your customer representative.
- Standard fabric support profile plastic colours are specified in Palmye Aluminium Coating Catalogue.
- If you use an additional rail you have to add a front pillar. It's included in the price. (FS4+FS10-C)
- In pergolas including steel front pillars, if gutter option is preferred, external water drainage points will be specified according to the Project and will be priced additionally.
- 3 AXIS lights available only at exclusive fabric option.

DEDUCTIONS

Price deduction is applicable only for front & back pillars and side beam. Deduction amount shall be consider as 70% of related option price.

OPTIONS			
FS10-C	Extra pillar (80x80mm Al.)	€ 368	pcs
FS10	Extra pillar (100x100mm Al.)	€ 500	pcs
FS10-ST3	Extra pillar (100x100x3mm St.)	€ 479	pcs
FS10-ST5	Extra pillar (100x100x5mm St.)	€ 698	pcs
FS11	Deco ceiling cover	€ 66	m ²
FS15-C	Side beam pillar (80x80mm - Al)	€ 368	pcs
FS19	Fix louver	€ 68	lm
FS23	External Square Downpipe	€ 306	pcs
FS24	W96 Ceiling Cover	€ 76	m ²
FS26	Exclusive fabric difference (up to 800cm width)	€ 45	m ²
FS27	3 Axis lighting fabric support profile difference	€ 13	m ²
FS29-1	Sun Sensor (SUNIS) (for single motor)	€ 567	pcs
FS29-1S	Sun Sensor (SUNIS) (for synchronized motor)	€ 903	pcs
FS29-2	Wind Sensor (EOLIS RTS) (for single motor)	€ 267	pcs
FS29-2S	Wind Sensor (EOLIS RTS) (for synchronized motor)	€ 600	pcs
FS29-3	Sun and Wind Sensor (SOLIRIS RTS) (for single motor)	€ 302	pcs
FS29-3S	Sun and Wind Sensor (SOLIRIS RTS) (for synchronized motor)	€ 635	pcs
FS29-4 ^{2/3}	Rain Sensor (ONDEIS) (for single motor)	€ 524	pcs
FS29-4S ^{2/3}	Rain Sensor (ONDEIS) (for synchronized motor)	€ 856	pcs
FS30	CONNEXOON	€ 479	pcs

Notes:

1. Fabric support profiles can be painted in the same color as the general construction. No fee is paid for this process. However, the plastic color should be specified from our standard plastic colours in Palmye Color Chart.
2. For one product, a dry contact transmitter costing 337€, must be added.
3. Up to 5 products, a RS485 Automation interface dry contact transmitter costing 1027€, must be added.
4. Exclusive fabric option can only be selected together with 3 axis fabric support profile. Price difference for 3 axis fabric profile should be added.

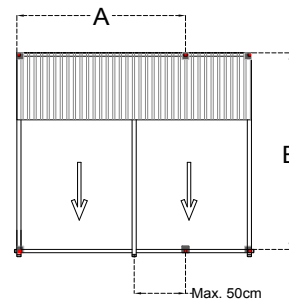
		BACK PILLAR POSITION CHANGE								
		A								
		500	550	600	650	700	750	800	850	900
B	400									
	500									
	600									

	BACK PILLAR	: Al. 100x100x3mm
	BACK BEAM	: Al. 100x150x3mm
	BACK PILLAR	: St. 100x100x3mm
	BACK BEAM	: St. 100x150x3mm
	BACK PILLAR	: St. 100x100x5mm
	BACK BEAM	: St. 100x150x5mm
	BACK PILLAR	: St. 100x100x5mm
	BACK BEAM	: St. 100x200x5mm

(Construction price difference needs to be added.
The deflection doesn't evaluate on this chart.)

EXTENSIONS			
Rail	Compact - 75x120mm	€ 188	lm
Beam	Al. 80x130mm	€ 90	lm
Beam	Al. 100x150mm	€ 141	lm
Beam	St. 100x150x3mm	€ 292	lm
Beam	St. 100x150x5mm	€ 354	lm
Beam	St. 100x200x3mm	€ 296	lm
Beam	St. 100x200x5mm	€ 421	lm
Fabric protection cover	Al. - 63x___cm	€ 55	m ²
Gutter	Special Profile	€ 41	lm
Pillar	Al. 80x80mm	€ 83	lm
Pillar	Al. 100x100mm	€ 158	lm
Pillar	St. 100x100x3mm	€ 198	lm
Pillar	St. 100x100x5mm	€ 354	lm
Pillar	St. 150x150x3mm	€ 401	lm
Pillar	St. 150x150x5mm	€ 562	lm

- *Max. Al. Front pillar (Al. 80x80mm) height is 280cm
- *Max. St 3mm. Front pillar (St. 100x100x3mm) height is 380cm
- *Max. St. 5mm Front pillar (St. 100x100x5mm) height is 480cm



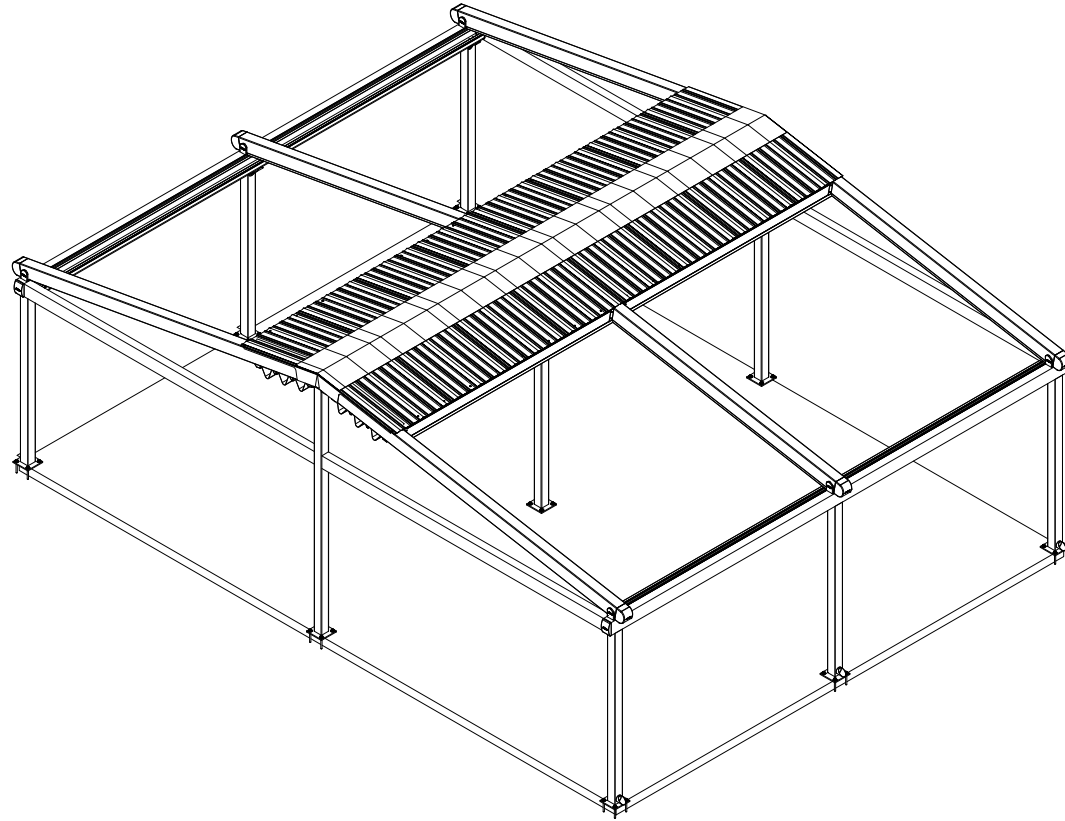
Middle front pillars can only be moved max. 50 cm towards right or left side.

		STANDARD CONSTRUCTION														
		WIDTH														
		450	500	550	600	650	700	750	800	850	900	950	1000	1100	1200	1300
PROJECTION	400															
	450															
	500															
	550															
600																

	BACK PILLAR	: Al. 100x100x3mm
	BACK BEAM	: Al. 100x150x3mm

(in price included)

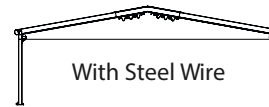
		PRICE DIFFERENCE			
		BEAM GROUP			
		Standard	Al. 100x150mm		
Back Beam	to		St. 100x150x3mm	€ 146	lm
			St. 100x150x5mm	€ 217	lm
			St. 100x200x3mm	€ 150	lm
			St. 100x200x5mm	€ 283	lm
		Standard	Al. 80x130mm		
Front Beam	to		Al. 100x150mm	€ 52	lm
			St. 100x150x3mm	€ 214	lm
			St. 100x150x5mm	€ 285	lm
			St. 100x200x3mm	€ 218	lm
		St. 100x200x5mm	€ 351	lm	
		PILLAR GROUP			
		Standard	Al. 100x100mm		
Back Pillar	to		St. 100x100x3mm	€ 101	pcs
			St. 100x100x5mm	€ 416	pcs
			St. 150x150x3mm	€ 635	pcs
			St. 150x150x5mm	€ 1.124	pcs
		Standard	Al. 80x80mm		
Front Pillar	to		Al. 100x100mm	€ 130	pcs
			St. 100x100x3mm	€ 270	pcs
			St. 100x100x5mm	€ 585	pcs
			St. 150x150x3mm	€ 804	pcs
			St. 150x150x5mm	€ 1.292	pcs



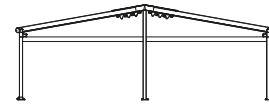
SILVER TWIN

PRODUCT FORMS

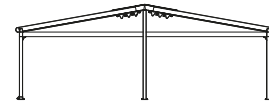
- **Silver Twin** Without Middle Pillar
-



- **Silver Twin**
-



- **Silver Compact Twin**
-



SILVER

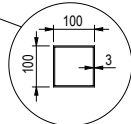
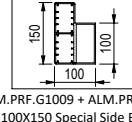
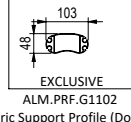
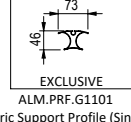
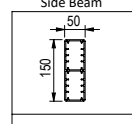
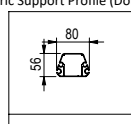
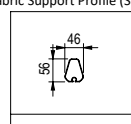
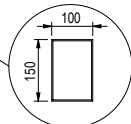
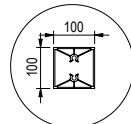
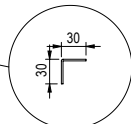
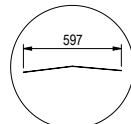
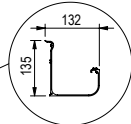
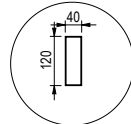
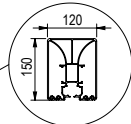
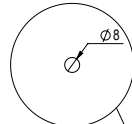
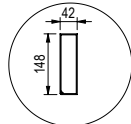
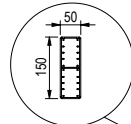
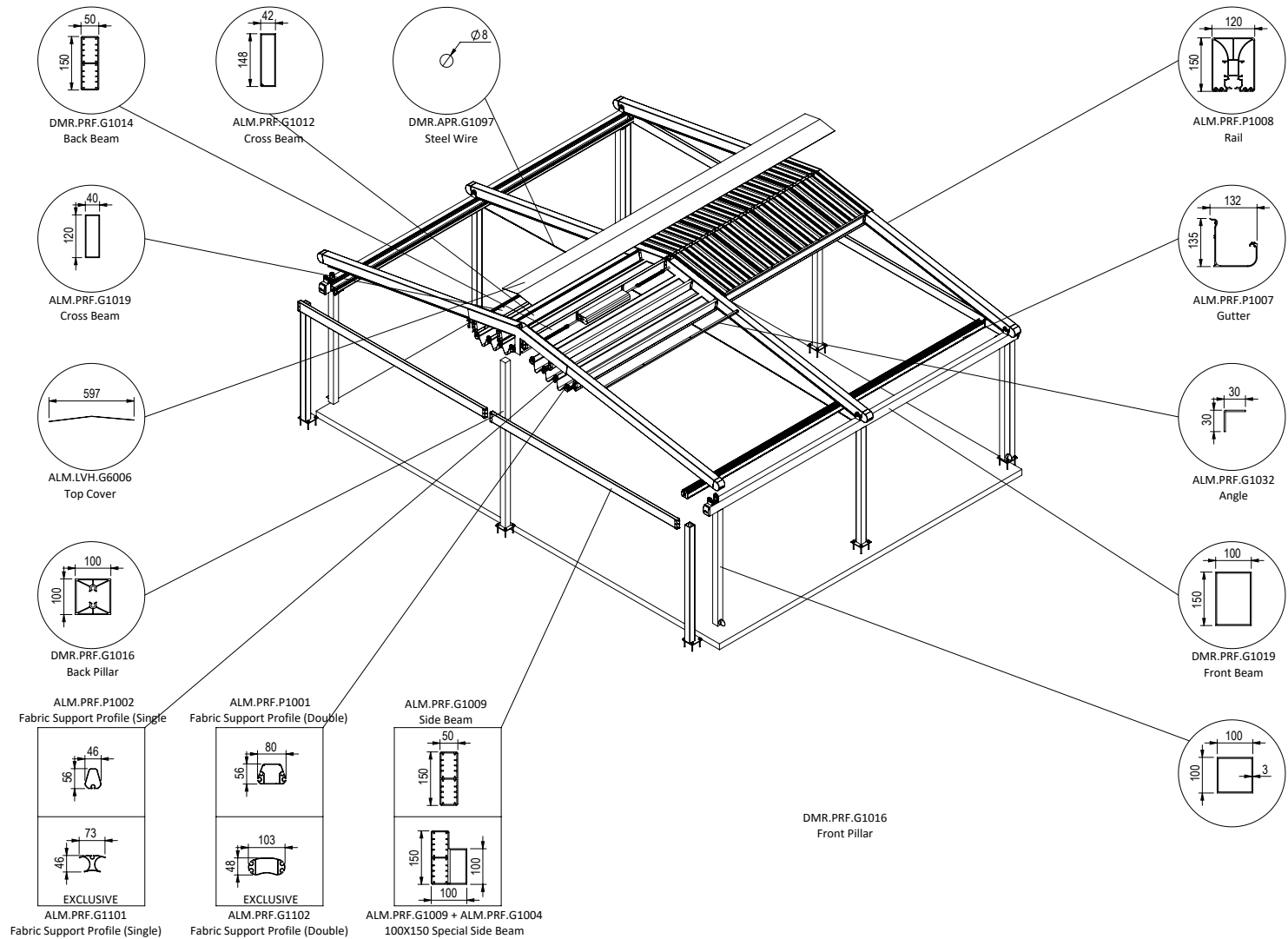
Twin

Without Middle Pillar



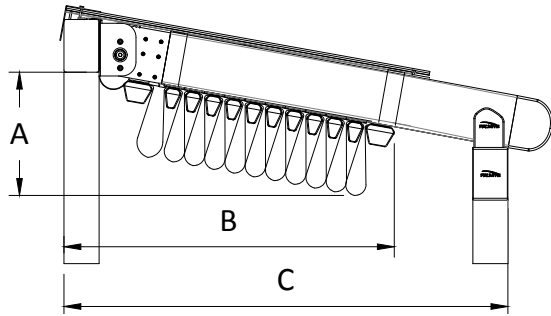
MAXIMUM DIMENSIONS

	WIDTH	PROJECTION
2 RAILS	450 cm	1000 cm
3 RAILS	900 cm	1000 cm
4 RAILS	1300 cm	1000 cm



TECHNICAL FEATURES

COLLECTED FABRIC DIMENSIONS



No of Fabric Support Profiles	Projection cm							
	185	235	284	334	383	433	482	C
4	34							61
5		35						68
6			36					74
7				37				81
8					38			87
9						39		94
10							40	100

*Calculated according to a slope of 15%

DRAINAGE CALCULATION

Type	Max. m ²
Full	39 m ² /pc
Half	18 m ² /pc

* per drainage

There should be at least one drainage, each 8 m length gutter.

MINIMUM SLOPE CHART

Slope	6,4-7,9%	7,4-8,8%	8,4-9,7%	9,4-10,8%	10,4-12%	11,2-12,7%	12-13,4%	13-14,5%	14-15,7%	15-16,6%	16-17,6%
-------	----------	----------	----------	-----------	----------	------------	----------	----------	----------	----------	----------

Rail Center

Projection	Rail Center										
	200	225	250	275	300	325	350	375	400	425	450
250	16	19	21	24	26	28	30	33	35	38	40
300	20	23	26	29	31	34	37	40	42	45	48
350	23	27	30	34	37	40	43	46	49	53	56
400	27	31	35	39	42	46	49	53	57	61	64
450	32	36	40	44	48	52	56	60	64	69	73
500	36	41	45	50	54	59	63	68	72	77	81

*Note: Max. slope can be up to 25%

For back height of system 30 cm should be added to slope value.

WIND RESISTANCE

PROJECTION (cm)	WIDTH (cm)																	
	450	500	550	600	650	700	750	800	850	900	950	1000	1050	1100	1150	1200	1250	1300
400	11	11	11	11	11	11	11	11	11	11	11	11	11	11	11	11	11	11
500	11	11	11	11	10	10	10	10	10	9	11	11	11	11	11	11	10	10
600	11	10	10	9	9	9	9	9	8	8	10	10	10	10	9	9	9	9
700	11	9	9	8	8	8	8	7	7	7	9	9	9	9	8	8	8	8
800	11	8	8	7	7	7	7	6	6	6	8	8	8	8	7	7	7	7
900	11	7	7	6	6	6	6	6	5	5	7	7	7	7	6	6	6	6
1000	11	6	6	6	5	5	5	5	5	5	6	6	6	6	6	6	5	5

All sides open

PROJECTION (cm)	WIDTH (cm)																	
	450	500	550	600	650	700	750	800	850	900	950	1000	1050	1100	1150	1200	1250	1300
400	11	11	11	11	10	10	9	9	9	8	11	11	11	11	11	11	10	10
500	11	11	11	10	9	9	9	9	9	8	11	11	11	11	10	10	9	9
600	11	11	10	10	9	8	8	8	8	8	11	11	10	10	10	10	9	9
700	11	10	9	9	8	8	8	7	7	7	11	10	9	9	9	9	8	8
800	10	9	8	8	8	7	7	7	7	7	10	9	8	8	8	8	8	8
900	9	8	7	7	7	7	7	6	6	6	9	8	7	7	7	7	7	7
1000	9	7	6	6	6	6	6	6	6	6	9	7	6	6	6	6	6	6

With side enclosure

*The values are given according to the Beaufort scale.

**Calculated for Products with a front height of 250 cm according to Eurocode EN 1991-1-4 Terrain Category 4.

*** You can ask for new calculations for special designs.

SILVER Twin Without Middle Pillar



Projection	Width	2 RAILS					3 RAILS									4 RAILS									FS4	FS9-SPD
		250 cm	300 cm	350 cm	400 cm	450 cm	500 cm	550 cm	600 cm	650 cm	700 cm	750 cm	800 cm	850 cm	900 cm	950 cm	1000 cm	1050 cm	1100 cm	1150 cm	1200 cm	1250 cm	1300 cm			
400 cm		€ 12.366	€ 12.970	€ 13.817	€ 14.679	€ 15.283	€ 17.951	€ 18.539	€ 19.129	€ 20.246	€ 20.742	€ 21.153	€ 21.734	€ 22.320	€ 22.905	€ 25.849	€ 26.427	€ 27.010	€ 27.593	€ 28.177	€ 28.630	€ 29.408	€ 30.312	€ 1.531	€ 184	
450 cm		€ 12.640	€ 13.404	€ 14.241	€ 14.984	€ 15.595	€ 18.392	€ 19.152	€ 19.749	€ 20.720	€ 21.223	€ 21.646	€ 22.398	€ 23.153	€ 23.588	€ 26.483	€ 27.071	€ 27.825	€ 28.417	€ 29.010	€ 29.470	€ 30.264	€ 31.174	€ 1.643	€ 211	
500 cm		€ 12.911	€ 13.836	€ 14.664	€ 15.287	€ 15.905	€ 18.832	€ 19.763	€ 20.367	€ 21.190	€ 21.704	€ 22.137	€ 23.060	€ 23.986	€ 24.270	€ 27.115	€ 27.716	€ 28.639	€ 29.237	€ 29.843	€ 30.310	€ 31.116	€ 32.036	€ 1.756	€ 240	
550 cm		€ 13.392	€ 14.371	€ 15.250	€ 15.928	€ 16.601	€ 19.718	€ 20.704	€ 21.364	€ 22.243	€ 22.806	€ 23.296	€ 24.271	€ 25.256	€ 25.596	€ 28.593	€ 29.250	€ 30.229	€ 30.882	€ 31.544	€ 32.058	€ 32.918	€ 33.892	€ 1.868	€ 267	
600 cm		€ 13.871	€ 14.907	€ 15.836	€ 16.569	€ 17.298	€ 20.602	€ 21.642	€ 22.363	€ 23.294	€ 23.907	€ 24.455	€ 25.485	€ 26.525	€ 26.922	€ 30.070	€ 30.783	€ 31.821	€ 32.527	€ 33.245	€ 33.805	€ 34.719	€ 35.746	€ 1.981	€ 294	
650 cm		€ 14.306	€ 15.197	€ 16.139	€ 17.032	€ 17.772	€ 21.214	€ 22.107	€ 22.996	€ 23.942	€ 24.560	€ 25.118	€ 26.163	€ 27.219	€ 27.619	€ 31.041	€ 31.763	€ 32.652	€ 33.370	€ 34.254	€ 34.825	€ 35.749	€ 36.628	€ 2.093	€ 323	
700 cm		€ 14.743	€ 15.491	€ 16.442	€ 17.497	€ 18.245	€ 21.829	€ 22.576	€ 23.632	€ 24.590	€ 25.215	€ 25.784	€ 26.841	€ 27.915	€ 28.316	€ 32.011	€ 32.745	€ 33.485	€ 34.214	€ 35.267	€ 35.844	€ 36.780	€ 37.510	€ 2.205	€ 350	
750 cm		€ 15.028	€ 15.787	€ 16.749	€ 17.814	€ 18.573	€ 22.283	€ 23.040	€ 24.109	€ 25.076	€ 25.712	€ 26.291	€ 27.357	€ 28.436	€ 28.857	€ 32.664	€ 33.409	€ 34.159	€ 34.899	€ 35.964	€ 36.551	€ 37.496	€ 38.238	€ 2.318	€ 379	
800 cm		€ 15.312	€ 16.081	€ 17.053	€ 18.129	€ 19.403	€ 23.298	€ 24.076	€ 25.195	€ 26.208	€ 26.895	€ 27.524	€ 28.638	€ 29.762	€ 30.241	€ 34.202	€ 34.997	€ 35.797	€ 36.586	€ 37.699	€ 38.334	€ 39.329	€ 40.122	€ 2.430	€ 406	
850 cm		€ 15.604	€ 16.384	€ 17.367	€ 18.453	€ 19.738	€ 23.767	€ 24.557	€ 25.686	€ 26.712	€ 27.406	€ 28.047	€ 29.171	€ 30.306	€ 30.792	€ 34.873	€ 35.678	€ 36.487	€ 37.290	€ 38.414	€ 39.052	€ 40.060	€ 40.862	€ 2.542	€ 433	
900 cm		€ 15.898	€ 16.689	€ 17.680	€ 18.777	€ 20.072	€ 24.237	€ 25.038	€ 26.178	€ 27.214	€ 28.154	€ 28.849	€ 30.027	€ 30.850	€ 31.344	€ 35.542	€ 36.753	€ 37.574	€ 38.393	€ 39.530	€ 40.176	€ 40.789	€ 41.603	€ 2.655	€ 462	
950 cm		€ 16.185	€ 16.986	€ 17.990	€ 19.098	€ 20.401	€ 24.698	€ 25.506	€ 26.657	€ 27.707	€ 28.654	€ 29.360	€ 30.549	€ 31.384	€ 31.888	€ 36.203	€ 37.423	€ 38.254	€ 39.082	€ 40.231	€ 40.886	€ 41.511	€ 42.334	€ 2.767	€ 489	
1000 cm		€ 16.472	€ 17.284	€ 18.296	€ 19.415	€ 20.758	€ 25.205	€ 26.088	€ 27.291	€ 28.394	€ 29.153	€ 29.869	€ 32.816	€ 34.124	€ 34.738	€ 37.247	€ 38.091	€ 38.934	€ 39.770	€ 43.409	€ 44.168	€ 45.358	€ 46.296	€ 2.880	€ 517	
FS3		€ 219	€ 230	€ 251	€ 276	€ 298	€ 321	€ 344	€ 367	€ 390	€ 413	€ 530	€ 553	€ 576	€ 599	€ 623	€ 646	€ 669	€ 692	€ 715	€ 737	€ 760	€ 783			
FS5-A		€ 40	€ 51	€ 60	€ 68	€ 79	€ 88	€ 98	€ 107	€ 118	€ 126	€ 137	€ 146	€ 156	€ 165	€ 176	€ 184	€ 195	€ 204	€ 214	€ 223	€ 234	€ 242			
FS5-E		€ 56	€ 70	€ 82	€ 94	€ 109	€ 121	€ 135	€ 147	€ 162	€ 174	€ 189	€ 201	€ 215	€ 227	€ 242	€ 254	€ 268	€ 280	€ 295	€ 307	€ 322	€ 334			

FS3	Gutter System (For One Side)
FS5-A	Additional Fabric Support Profile (Standard)
FS5-E	Additional Fabric Support Profile (3 Axis)
FS4	Additional Rail - Al. - 120x150mm for both projection side
FS8	Lighting System
FS9-SPD	Price difference between Al. 50x150mm to Al. 100x150mm Special side beam

FS8	
FS8-S	SPOT
FS8-L	LINEAR
FS8-E	3 AXIS [§]
FS8-LR	LINEAR (RGB)
FS8-ER	3 AXIS (RGB) [§]

LED TYPE & MODULE		
2 LED	3 LED	4 LED
€ 151	€ 183	€ 216
€ 216	€ 280	
€ 248	€ 323	
€ 274	€ 356	
€ 315	€ 409	

Notes:

1. FS9- Side Beam (Al. 50x150mm) is included in the price for right and left side. For other option which is FS9-S (Al. 100x150mm) Special Side Beam is extra cost. The difference of the cost applies with FS9-SPD option code and for only one side of the pergola.

2. FS Flexy Plain/3D or Stam 6002 is included in the price.

3. Motor and Remote control is included in the price.

4. Palmiye Aluminium Coating Catalogue includes the standard colours with no extra cost. For any other type/brand/color of paint, price difference and additional delivery duration shall be checked from your customer representative.

5. Standard fabric support profile plastic colours are specified in Palmiye Aluminium Coating Catalogue.

6. The gutter option price is for one side and must be added separately for each side.

7. In pergolas including steel front pillars, if gutter option is preferred, external water drainage points will be specified according to the Project and will be priced additionally.

8. 3 AXIS lights available only at exclusive fabric option.

DEDUCTIONS

Price deduction is applicable only for pillars and beam. Deduction amount shall be consider as 70% of related option price.

OPTIONS

FS10	Extra pillar (100x100mm Al.)	€ 500	pcs
FS10-ST3	Extra pillar (100x100x3mm St.)	€ 479	pcs
FS10-ST5	Extra pillar (100x100x5mm St.)	€ 698	pcs
FS11	Deco ceiling cover	€ 66	m ²
FS15	Side beam pillar (50x100mm - Al)	€ 259	pcs
FS15-B	Side beam pillar (100x100mm - Al)	€ 500	pcs
FS19	Fix louver	€ 68	lm
FS23	External Square Downpipe	€ 306	pcs
FS24	W96 Ceiling Cover	€ 76	m ²
FS26	Exclusive fabric difference (up to 800cm width)	€ 45	m ²
FS27	3 Axis lighting fabric support profile difference	€ 13	m ²
FS29-1	Sun Sensor (SUNIS) (for single motor)	€ 567	pcs
FS29-1S	Sun Sensor (SUNIS) (for synchronized motor)	€ 903	pcs
FS29-2	Wind Sensor (EOLIS RTS) (for single motor)	€ 267	pcs
FS29-2S	Wind Sensor (EOLIS RTS) (for synchronized motor)	€ 600	pcs
FS29-3	Sun and Wind Sensor (SOLIRIS RTS) (for single motor)	€ 302	pcs
FS29-3S	Sun and Wind Sensor (SOLIRIS RTS) (for synchronized motor)	€ 635	pcs
FS29-4 ^{2/3}	Rain Sensor (ONDEIS) (for single motor)	€ 524	pcs
FS29-4S ^{2/3}	Rain Sensor (ONDEIS) (for synchronized motor)	€ 856	pcs
FS30	CONNEXOON	€ 479	pcs

Notes:

1. Fabric support profiles can be painted in the same color as the general construction. No fee is paid for this process. However, the plastic color should be specified from our standard plastic colours in Palmiye Color Chart.
2. For one product, a dry contact transmitter costing 337€, must be added.
3. Up to 5 products, a RS485 Automation interface dry contact transmitter costing 1027€, must be added.
4. Exclusive fabric option can only be selected together with 3 axis fabric support profile. Price difference for 3 axis fabric profile should be added.

EXTENSIONS

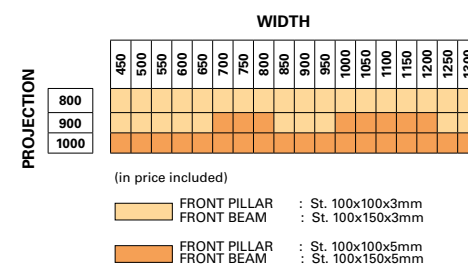
Rail	- 120x150mm	€ 308	lm
Beam	Al. 100x150mm	€ 141	lm
Beam	St. 100x150x3mm	€ 292	lm
Beam	St. 100x150x5mm	€ 354	lm
Beam	St. 100x200x3mm	€ 296	lm
Beam	St. 100x200x5mm	€ 421	lm
Fabric protection cover	Al. - 63x___cm	€ 55	m ²
Gutter	Special Profile	€ 41	lm
Pillar	Al. 100x100mm	€ 158	lm
Pillar	St. 100x100x3mm	€ 198	lm
Pillar	St. 100x100x5mm	€ 354	lm
Pillar	St. 150x150x3mm	€ 401	lm
Pillar	St. 150x150x5mm	€ 562	lm

*Max. Al. Front pillar (Al. 100x100mm) height is 280cm

*Max. St. 3mm. Front pillar (St. 100x100x3mm) height is 380cm

*Max. St. 5mm Front pillar (St. 100x100x5mm) height is 480cm

STANDARD CONSTRUCTION

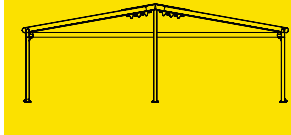


PRICE DIFFERENCE

		BEAM GROUP	
		Standard	St. 100x150x3mm
Front Beam			
	to	St. 100x150x5mm	€ 71 lm
		St. 100x200x3mm	€ 4 lm
		St. 100x200x5mm	€ 137 lm

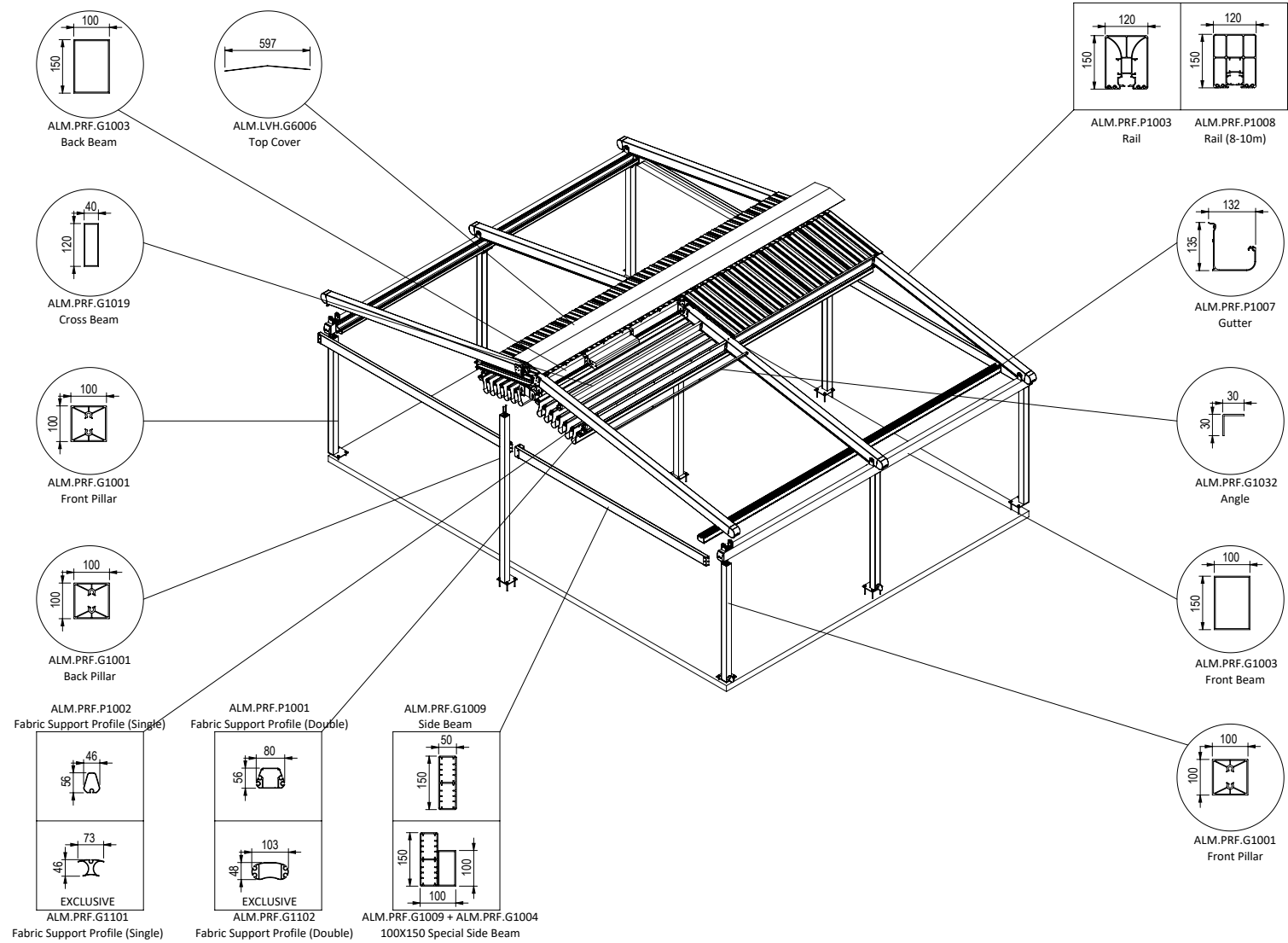
		PILLAR GROUP	
		Standard	St. 100x100x3mm
Front Pillar			
	to	St. 100x100x5mm	€ 316 pcs
		St. 150x150x3mm	€ 535 pcs
		St. 150x150x5mm	€ 1.023 pcs

SILVER Twin



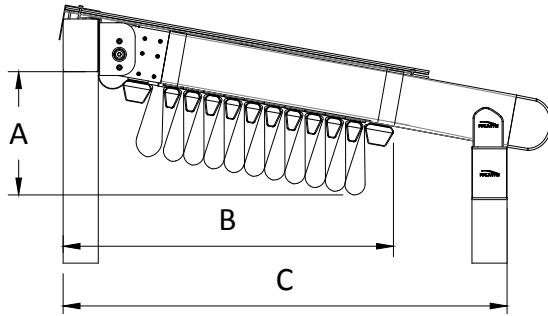
MAXIMUM DIMENSIONS

	WIDTH	PROJECTION
2 RAILS	450 cm	2000 cm
3 RAILS	900 cm	2000 cm
4 RAILS	1300 cm	1400 cm



TECHNICAL FEATURES

COLLECTED FABRIC DIMENSIONS



	185	225	284	334	383	433	482	532	581	631	680	729	779	828	878	927	977	C
4	34																	61
5		35																68
6			36															74
7				37														81
8					38													87
9						39												94
10							40											100
11								41										107
12									42									113
14										44								126
15											45							133
17												46						146
18													47					152
19														48				159
20															49			165
21																50		172
																	51	172

DRAINAGE CALCULATION

Type	Max. m ²
Full	39 m ² /pc
Half	18 m ² /pc

* per drainage

There should be at least one drainage, each 8 m length gutter.

MINIMUM SLOPE CHART

Slope	6,4-7,9%	7,4-8,8%	8,4-9,7%	9,4-10,8%	10,4-12%	11,2-12,7%	12-13,4%	13-14,5%	14-15,7%	15-16,8%	16-17,6%
Rail Center											
	200	225	250	275	300	325	350	375	400	425	450
250	16	19	21	24	26	28	30	33	35	38	40
300	20	23	26	29	31	34	37	40	42	45	48
350	23	27	30	34	37	40	43	46	49	53	56
400	27	31	35	39	42	46	49	53	57	61	64
450	32	36	40	44	48	52	56	60	64	69	73
500	36	41	45	50	54	59	63	68	72	77	81
550	40	45	50	55	60	65	70	75	80	85	90
600	44	50	55	61	66	72	77	83	88	94	99
650	49	55	61	67	72	78	84	90	96	102	108
700	54	60	66	73	79	85	91	98	104	111	117
750	59	66	72	79	85	92	99	106	112	119	126
800	63	70	77	85	92	99	106	114	121	129	136
850	67	75	82	91	99	106	113	122	130	138	146
900	71	79	87	97	106	113	120	130	139	148	156
950	75	84	92	103	113	120	127	138	148	157	166
1000	79	88	97	109	120	127	134	146	157	167	176

Projection

*Note: Max. slope can be up to 25%

For back height of system 30 cm should be added to slope value.

WIDTH (cm)

	450	500	550	600	650	700	750	800	850	900	950	1000	1050	1100	1150	1200	1250	1300
800	11	11	11	11	11	10	10	10	10	9	11	11	11	11	11	11	11	11
900	11	11	11	11	10	10	10	9	9	9	11	11	11	11	11	11	10	10
1000	11	11	10	10	10	10	9	9	9	8	11	11	10	10	10	10	10	10
1100	11	11	10	10	10	9	9	9	8	8	11	11	10	10	10	10	10	10
1200	10	10	10	10	9	9	8	8	8	8	10	10	10	10	10	10	9	9
1300	10	10	9	9	9	8	8	8	8	8	10	10	9	9	9	9	9	9
1400	9	9	9	9	8	8	8	8	8	7	9	9	9	9	9	8	8	8
1500	9	9	8	8	8	8	8	7	7	7	9	9	8	8	8	8	8	8
1600	8	8	8	8	8	7	7	7	7	7	8	8	8	8	8	8	8	8
1700	8	8	8	7	7	7	7	7	7	7	8	8	8	8	7	7	7	7
1800	8	8	7	7	7	7	7	7	7	7	8	8	7	7	7	7	7	7
1900	7	7	7	7	7	7	7	7	7	7	7	7	7	7	7	7	7	7
2000	7	7	7	7	7	7	7	7	7	7	7	7	7	7	7	7	7	7

All sides open

*The values are given according to the Beaufort scale.

**Calculated for Products with a front height of 250 cm according to Eurocode EN 1991-1-4 Terrain Category 4.

*** You can ask for new calculations for special designs.

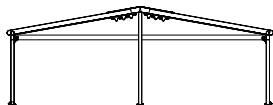
WIND RESISTANCE

WIDTH (cm)

	450	500	550	600	650	700	750	800	850	900	950	1000	1050	1100	1150	1200	1250	1300
800	9	9	9	8	8	8	7	7	7	7	9	9	9	9	8	8	8	8
900	9	9	8	8	8	7	7	7	7	7	9	9	8	8	8	8	8	8
1000	9	8	8	8	7	7	7	7	7	7	9	8	8	8	8	8	8	7
1100	9	8	8	7	7	7	7	7	7	7	9	8	8	8	7	7	7	7
1200	8	8	8	7	7	7	7	7	7	7	8	8	8	8	7	7	7	7
1300	8	8	7	7	7	7	7	7	7	7	8	8	7	7	7	7	7	7
1400	8	8	7	7	7	7	7	7	7	7	8	8	7	7	7	7	7	7
1500	8	7	7	7	7	7	7	7	7	7	8	7	7	7	7	7	7	7
1600	8	7	7	7	7	7	7	7	7	7	8	7	7	7	7	7	7	7
1700	8	7	7	7	7	7	7	7	7	7	6	8	7	7	7	7	7	7
1800	7	7	7	7	7	7	7	7	6	6	6	7	7	7	7	7	7	7
1900	7	7	7	7	7	7	7	6	6	6	6	7	7	7	7	7	7	7
2000	7	7	7	7	7	7	6	6	6	6	6	7	7	7	7	7	7	7

With side enclosure

SILVER Twin



Projection	Width					2 RAILS										3 RAILS										4 RAILS										FS4	FS9-SPD
	250 cm	300 cm	350 cm	400 cm	450 cm	500 cm	550 cm	600 cm	650 cm	700 cm	750 cm	800 cm	850 cm	900 cm	950 cm	1000 cm	1050 cm	1100 cm	1150 cm	1200 cm	1250 cm	1300 cm															
400 cm	€ 11.987	€ 12.573	€ 13.394	€ 14.231	€ 14.816	€ 17.402	€ 17.972	€ 18.544	€ 19.627	€ 20.108	€ 20.506	€ 21.069	€ 21.638	€ 22.204	€ 25.059	€ 25.619	€ 26.184	€ 26.749	€ 27.316	€ 27.754	€ 28.509	€ 29.385	€ 1.531	€ 184													
450 cm	€ 12.254	€ 12.995	€ 13.805	€ 14.526	€ 15.118	€ 17.829	€ 18.567	€ 19.145	€ 20.086	€ 20.574	€ 20.984	€ 21.713	€ 22.445	€ 22.867	€ 25.673	€ 26.243	€ 26.974	€ 27.548	€ 28.123	€ 28.569	€ 29.338	€ 30.221	€ 1.643	€ 211													
500 cm	€ 12.517	€ 13.413	€ 14.215	€ 14.819	€ 15.419	€ 18.256	€ 19.159	€ 19.744	€ 20.542	€ 21.040	€ 21.460	€ 22.355	€ 23.253	€ 23.527	€ 26.286	€ 26.868	€ 27.763	€ 28.343	€ 28.930	€ 29.383	€ 30.165	€ 31.056	€ 1.756	€ 240													
550 cm	€ 12.983	€ 13.932	€ 14.784	€ 15.441	€ 16.093	€ 19.115	€ 20.071	€ 20.711	€ 21.563	€ 22.109	€ 22.583	€ 23.529	€ 24.483	€ 24.813	€ 27.718	€ 28.355	€ 29.304	€ 29.938	€ 30.580	€ 31.078	€ 31.911	€ 32.855	€ 1.868	€ 267													
600 cm	€ 13.447	€ 14.451	€ 15.352	€ 16.062	€ 16.769	€ 19.972	€ 20.980	€ 21.679	€ 22.582	€ 23.176	€ 23.707	€ 24.705	€ 25.714	€ 26.098	€ 29.151	€ 29.842	€ 30.848	€ 31.532	€ 32.229	€ 32.771	€ 33.657	€ 34.653	€ 1.981	€ 294													
650 cm	€ 13.869	€ 14.732	€ 15.646	€ 16.511	€ 17.228	€ 20.566	€ 21.431	€ 22.293	€ 23.210	€ 23.809	€ 24.350	€ 25.363	€ 26.387	€ 26.774	€ 30.091	€ 30.791	€ 31.653	€ 32.350	€ 33.207	€ 33.760	€ 34.656	€ 35.508	€ 2.093	€ 323													
700 cm	€ 14.292	€ 15.017	€ 15.939	€ 16.962	€ 17.687	€ 21.161	€ 21.885	€ 22.909	€ 23.838	€ 24.444	€ 24.996	€ 26.020	€ 27.061	€ 27.450	€ 31.032	€ 31.744	€ 32.461	€ 33.168	€ 34.188	€ 34.748	€ 35.655	€ 36.363	€ 2.205	€ 350													
750 cm	€ 14.569	€ 15.304	€ 16.236	€ 17.269	€ 18.005	€ 21.602	€ 22.336	€ 23.372	€ 24.309	€ 24.926	€ 25.487	€ 26.520	€ 27.566	€ 27.974	€ 31.665	€ 32.387	€ 33.115	€ 33.832	€ 34.864	€ 35.433	€ 36.350	€ 37.068	€ 2.318	€ 379													
800 cm	€ 14.843	€ 15.589	€ 16.532	€ 17.575	€ 18.321	€ 22.042	€ 22.787	€ 23.833	€ 24.777	€ 25.405	€ 25.977	€ 27.018	€ 28.070	€ 28.497	€ 32.299	€ 33.031	€ 33.768	€ 34.496	€ 35.537	€ 36.114	€ 37.041	€ 37.772	€ 2.430	€ 406													
850 cm	€ 15.127	€ 15.883	€ 16.836	€ 17.889	€ 18.645	€ 22.496	€ 23.253	€ 24.309	€ 25.265	€ 25.900	€ 26.484	€ 27.536	€ 28.598	€ 29.031	€ 32.949	€ 33.692	€ 34.438	€ 35.179	€ 36.230	€ 36.811	€ 37.749	€ 38.489	€ 2.542	€ 433													
900 cm	€ 15.412	€ 16.178	€ 17.139	€ 18.203	€ 18.969	€ 22.952	€ 23.719	€ 24.786	€ 25.752	€ 26.395	€ 26.989	€ 28.051	€ 29.125	€ 29.566	€ 33.598	€ 34.352	€ 35.107	€ 35.860	€ 36.921	€ 37.509	€ 38.456	€ 39.207	€ 2.655	€ 462													
950 cm	€ 15.690	€ 16.467	€ 17.440	€ 18.514	€ 19.289	€ 23.399	€ 24.173	€ 25.250	€ 26.230	€ 26.880	€ 27.485	€ 28.557	€ 29.642	€ 30.093	€ 34.238	€ 35.003	€ 35.766	€ 36.527	€ 37.601	€ 38.197	€ 39.156	€ 39.916	€ 2.767	€ 489													
1000 cm	€ 15.968	€ 16.755	€ 17.737	€ 18.821	€ 19.606	€ 23.843	€ 24.625	€ 25.714	€ 26.706	€ 27.363	€ 27.978	€ 30.754	€ 31.942	€ 33.755	€ 34.875	€ 35.650	€ 36.425	€ 37.195	€ 40.682	€ 41.378	€ 42.434	€ 45.032	€ 2.880	€ 517													
1050 cm	€ 16.457	€ 17.442	€ 18.474	€ 19.611	€ 20.448	€ 24.883	€ 25.875	€ 26.861	€ 28.770	€ 29.436	€ 30.268	€ 33.509	€ 35.532	€ 36.624	€ 37.475	€ 38.458	€ 39.282	€ 42.825	€ 43.561	€ 44.670	€ 47.476	€ 3.004	€ 543														
1100 cm	€ 16.943	€ 18.128	€ 19.212	€ 20.400	€ 21.288	€ 25.924	€ 27.123	€ 28.010	€ 29.420	€ 30.175	€ 30.895	€ 33.783	€ 36.283	€ 37.309	€ 38.373	€ 39.299	€ 40.493	€ 41.372	€ 44.965	€ 45.746	€ 48.586	€ 49.921	€ 3.131	€ 571													
1150 cm	€ 17.240	€ 18.435	€ 19.531	€ 20.728	€ 21.626	€ 26.389	€ 27.601	€ 28.499	€ 29.917	€ 30.680	€ 31.411	€ 34.308	€ 36.821	€ 37.856	€ 39.055	€ 39.969	€ 41.174	€ 42.063	€ 45.667	€ 46.455	€ 49.306	€ 50.652	€ 3.255	€ 597													
1200 cm	€ 17.539	€ 18.744	€ 19.852	€ 21.057	€ 21.964	€ 26.855	€ 28.080	€ 28.989	€ 30.414	€ 32.705	€ 33.534	€ 34.836	€ 37.359	€ 38.405	€ 41.795	€ 42.783	€ 44.086	€ 45.074	€ 47.932	€ 48.788	€ 50.029	€ 51.384	€ 3.380	€ 625													
1250 cm	€ 17.831	€ 19.048	€ 20.164	€ 21.378	€ 22.298	€ 27.317	€ 28.553	€ 29.472	€ 30.909	€ 33.141	€ 33.975	€ 35.285	€ 37.810	€ 38.870	€ 42.452	€ 43.453	€ 44.685	€ 45.762	€ 48.632	€ 49.493	€ 50.746	€ 52.111	€ 3.506	€ 653													
1300 cm	€ 18.119	€ 19.350	€ 20.473	€ 21.697	€ 22.631	€ 27.776	€ 29.023	€ 29.953	€ 31.401	€ 33.572	€ 34.413	€ 36.883	€ 38.259	€ 39.332	€ 43.108	€ 44.121	€ 45.283	€ 46.450	€ 49.329	€ 50.198	€ 51.461	€ 52.837	€ 3.631	€ 681													
1350 cm	€ 18.415	€ 19.651	€ 20.784	€ 22.022	€ 22.962	€ 28.239	€ 29.492	€ 30.436	€ 31.892	€ 34.069	€ 34.924	€ 37.402	€ 38.795	€ 39.870	€ 43.763	€ 44.787	€ 46.036	€ 47.134	€ 50.027	€ 50.901	€ 52.176	€ 53.561	€ 3.756	€ 708													
1400 cm	€ 18.708	€ 19.953	€ 21.097	€ 22.346	€ 23.294	€ 29.866	€ 31.216	€ 32.260	€ 33.816	€ 34.566	€ 35.432	€ 37.922	€ 39.331	€ 40.409	€ 44.420	€ 45.451	€ 46.790	€ 49.322	€ 50.725	€ 51.604	€ 52.893	€ 54.284	€ 3.880	€ 736													
1450 cm	€ 19.996	€ 21.250	€ 22.404	€ 23.661	€ 24.619	€ 31.321	€ 32.681	€ 33.733	€ 35.303	€ 36.060	€ 36.935	€ 39.433	€ 40.850	€ 41.943	€ 46.070	€ 47.110	€ 48.460	€ 51.004	€ 52.415	€ 53.305	€ 54.600	€ 56.000	€ 4.007	€ 1.496													
1500 cm	€ 20.288	€ 21.553	€ 22.715	€ 23.980	€ 24.948	€ 31.780	€ 33.152	€ 34.211	€ 35.794	€ 36.558	€ 38.532	€ 39.951	€ 41.374	€ 43.050	€ 46.725	€ 49.162	€ 50.580	€ 51.690	€ 53.109	€ 54.008	€ 55.312	€ 56.800	€ 4.131	€ 1.524													
1550 cm	€ 20.774	€ 22.092	€ 23.307	€ 24.625	€ 25.644	€ 32.666	€ 34.092	€ 35.205	€ 36.841	€ 37.651	€ 39.679	€ 41.151	€ 42.627	€ 44.359	€ 48.192	€ 50.681	€ 52.154	€ 53.317	€ 54.790	€ 55.736	€ 57.300	€ 58.900	€ 4.256	€ 1.551													
1600 cm	€ 21.262	€ 22.633	€ 23.898	€ 25.269	€ 26.343	€ 33.550	€ 35.033	€ 36.198	€ 37.886	€ 39.777	€ 40.826	€ 42.351	€ 43.879	€ 45.670	€ 50.985	€ 52.200	€ 53.728	€ 54.944	€ 56.472	€ 57.462	€ 59.100	€ 60.700	€ 4.383	€ 1.579													
1650 cm	€ 21.751	€ 23.174	€ 24.489	€ 25.913	€ 27.041	€ 34.435	€ 35.974	€ 37.192	€ 38.930	€ 40.869	€ 41.974	€ 43.551	€ 45.130	€ 46.981	€ 52.451	€ 53.720	€ 55.302	€ 56.571	€ 58.153	€ 59.800	€ 61.500	€ 4.507	€ 1.607														
1700 cm	€ 22.239	€ 23.715	€ 25.079	€ 26.556	€ 27.739	€ 35.319	€ 36.914	€ 38.185	€ 40.949	€ 41.962	€ 43.121	€ 44.751	€ 46.934	€ 48.292	€ 53.918	€ 55.239	€ 56.876	€ 58.197	€ 59.835	€ 61.600	€ 63.400	€ 4.632	€ 1.635														
1750 cm	€ 22.727	€ 24.257	€ 25.670	€ 27.200	€ 28.437	€ 36.203	€ 37.855	€ 39.179	€ 41.994	€ 43.054	€ 44.268	€ 45.951	€ 48.185	€ 49.603	€ 55.384	€ 56.758	€ 58.450	€ 59.824	€ 61.700	€ 63.600	€ 4.758	€ 1.663															
1800 cm	€ 23.846	€ 24.998	€ 26.261	€ 27.843	€ 29.136	€ 37.087	€ 40.209	€ 42.543	€ 44.536	€ 45.686	€ 46.996	€ 48.774	€ 51.102	€ 52.622	€ 58.917	€ 60.386	€ 62.174	€ 63.644	€ 65.200	€ 67.700	€ 4.883	€ 1.690															
1850 cm	€ 24.334	€ 25.339	€ 26.851	€ 28.487	€ 29.834	€ 37.972	€ 41.150	€ 43.537	€ 45.581	€ 46.779	€ 48.144	€ 49.975	€ 52.353	€ 53.933	€ 60.384	€ 61.906	€ 63.748	€ 65.300	€ 67.800	€ 69.500	€ 71.300	€ 73.200	€ 5.008	€ 1.718													
1900 cm	€ 24.822	€ 25.880	€ 27.442	€ 29.130	€ 30.532	€ 38.856	€ 42.090	€ 44.530	€ 46.626	€ 47.871	€ 49.291	€ 51.175	€ 53.605	€ 55.244	€ 61.850	€ 63.425	€ 65.322	€ 66.900	€ 68.600	€ 70.400	€ 72.300	€ 74.300	€ 5.132	€ 1.746													
1950 cm	€ 25.311	€ 26.421	€ 28.033	€ 29.774	€ 31.230	€ 39.740	€ 43.031	€ 45.524	€ 47.671	€ 48.964	€ 50.438	€ 52.375	€ 54.856	€ 56.555	€ 63.316	€ 64.944	€ 66.700	€ 68.500	€ 70.400	€ 72.400	€ 74.500	€ 76.700	€ 5.259	€ 1.774													
2000 cm	€ 25.799	€ 26.962	€ 28.623	€ 30.418	€ 31.928	€ 41.996	€ 44.828	€ 46.517	€ 48.715	€ 50.056	€ 51.585	€ 53.575	€ 56.107	€ 57.866	€ 64.783	€ 66.464	€ 68.300	€ 70.000	€ 71.800	€ 73.700	€ 75.700	€ 77.800	€ 5.383	€ 1.802													

Side beam pillar is included in the price

FS3	€ 219	€ 230	€ 251	€ 276	€ 298	€ 321	€ 344	€ 367	€ 390	€ 413	€ 530	€ 553	€ 576	€ 599	€ 623	€ 646	€ 669	€ 692	€ 715	€ 737	€ 760	€ 783
FS5-A	€ 40	€ 51	€ 60	€ 68	€ 79	€ 88	€ 98	€ 107	€ 118	€ 126	€ 137	€ 146	€ 156	€ 165	€ 176	€ 184	€ 195	€ 204	€ 214	€ 223	€ 234	€ 242
FS5-E	€ 56	€ 70	€ 82	€ 94	€ 109	€ 121	€ 135	€ 147	€ 162	€ 174	€ 189	€ 201	€ 215	€ 227	€ 242	€ 254	€ 268	€ 280	€ 295	€ 307	€ 322	€ 334

		LEDTYPE & MODULE				
FS3	Gutter System (For One Side)	FS8				
FS5-A	Additional Fabric Support Profile (Standard)	FS8-S	SPOT	€ 151	€ 183	€ 216
FS5-E	Additional Fabric Support Profile (3 Axis)					

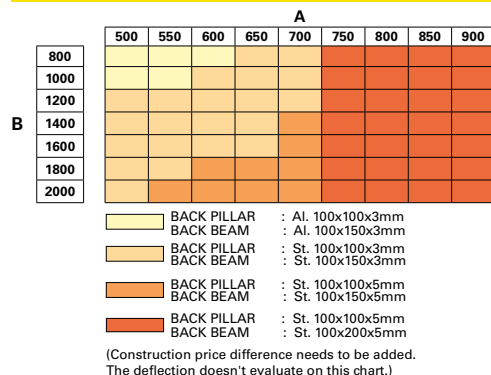
OPTIONS

FS10	Extra pillar (100x100mm Al.)	€ 500	pcs
FS10-ST3	Extra pillar (100x100x3mm St.)	€ 479	pcs
FS10-ST5	Extra pillar (100x100x5mm St.)	€ 698	pcs
FS11	Deco ceiling cover	€ 66	m ²
FS15	Side beam pillar (50x100mm - Al)	€ 259	pcs
FS15-B	Side beam pillar (100x100mm - Al)	€ 500	pcs
FS19	Fix louver	€ 68	lm
FS23	External Square Downpipe	€ 306	pcs
FS24	W96 Ceiling Cover	€ 76	m ²
FS26	Exclusive fabric difference (up to 800cm width)	€ 45	m ²
FS27	3 Axis lighting fabric support profile difference	€ 13	m ²
FS29-1	Sun Sensor (SUNIS) (for single motor)	€ 567	pcs
FS29-1S	Sun Sensor (SUNIS) (for synchronized motor)	€ 903	pcs
FS29-2	Wind Sensor (EOLIS RTS) (for single motor)	€ 267	vpcs
FS29-2S	Wind Sensor (EOLIS RTS) (for synchronized motor)	€ 600	pcs
FS29-3	Sun and Wind Sensor (SOLIRIS RTS) (for single motor)	€ 302	pcs
FS29-3S	Sun and Wind Sensor (SOLIRIS RTS) (for synchronized motor)	€ 635	pcs
FS29-4 ^{2/3}	Rain Sensor (ONDEIS) (for single motor)	€ 524	pcs
FS29-4S ^{2/3}	Rain Sensor (ONDEIS) (for synchronized motor)	€ 856	pcs
FS30	CONNEXOON	€ 479	pcs

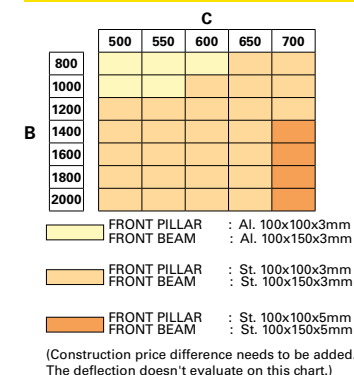
Notes:

1. Fabric support profiles can be painted in the same color as the general construction. No fee is paid for this process. However, the plastic color should be specified from our standard plastic colours in Palmiye Color Chart.
2. For one product, a dry contact transmitter costing 337€, must be added.
3. Up to 5 products, a RS485 Automation interface dry contact transmitter costing 1027€, must be added.
4. Exclusive fabric option can only be selected together with 3 axis fabric support profile. Price difference for 3 axis fabric profile should be added.

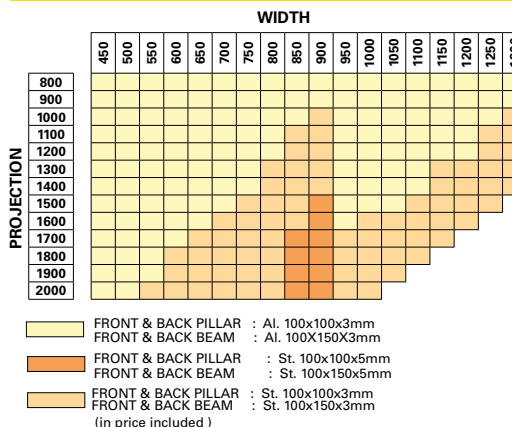
BACK PILLAR POSITION CHANGE



FRONT PILLAR POSITION CHANGE



STANDARD CONSTRUCTION



PRICE DIFFERENCE

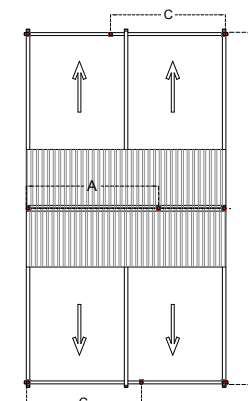
		BEAM GROUP	
		Standard	Al. 100x150mm
Beam	to	St. 100x150x3mm	€ 146 lm
		St. 100x150x5mm	€ 217 lm
		St. 100x200x3mm	€ 150 lm
		St. 100x200x5mm	€ 283 lm
		PILLAR GROUP	
		Standard	Al. 100x100mm
Pillar	to	St. 100x100x3mm	€ 101 pcs
		St. 100x100x5mm	€ 416 pcs
		St. 150x150x3mm	€ 635 pcs
		St. 150x150x5mm	€ 1.124 pcs

EXTENSIONS

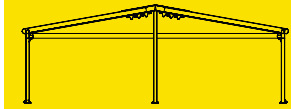
Extensions of Standard Profiles

Rail	- 120x150mm	€ 308	lm
Beam	Al. 100x150mm	€ 141	lm
Beam	St. 100x150x3mm	€ 292	lm
Beam	St. 100x150x5mm	€ 354	lm
Beam	St. 100x200x3mm	€ 296	lm
Beam	St. 100x200x5mm	€ 421	lm
Fabric protection cover	Al. - 63x_cm	€ 55	m ²
Gutter	Special Profile	€ 41	lm
Pillar	Al. 100x100mm	€ 158	lm
Pillar	St. 100x100x3mm	€ 198	lm
Pillar	St. 100x100x5mm	€ 354	lm
Pillar	St. 150x150x3mm	€ 401	lm
Pillar	St. 150x150x5mm	€ 562	lm

- *Max. Al. Front pillar (Al. 100x100mm) height is 280cm
- *Max. St. 3mm. Front pillar (St. 100x100x3mm) height is 380cm
- *Max. St. 5mm Front pillar (St. 100x100x5mm) height is 480cm

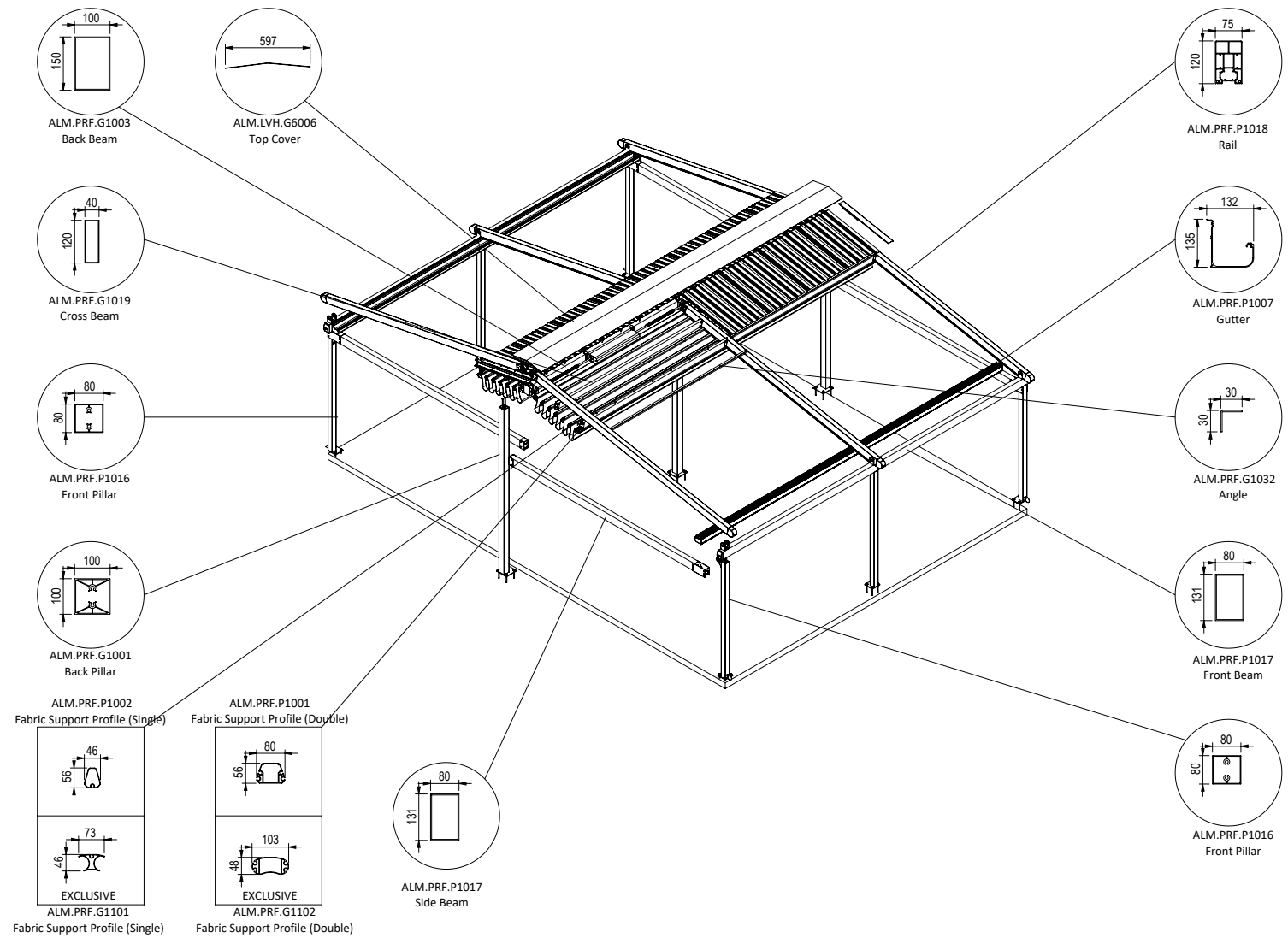


SILVER Compact Twin



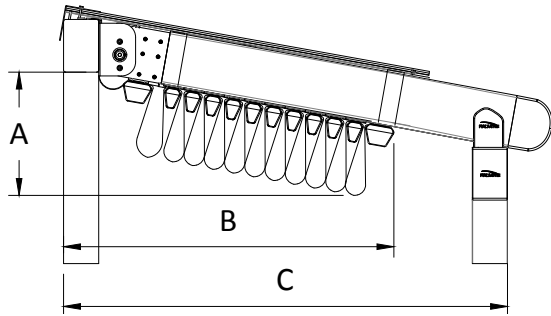
MAXIMUM DIMENSIONS

	WIDTH	PROJECTION
2 RAILS	450 cm	1200 cm
3 RAILS	900 cm	1200 cm
4 RAILS	1300 cm	1200 cm



TECHNICAL FEATURES

COLLECTED FABRIC DIMENSIONS



Projection cm	
	185 235 284 334 383 433 482 532 581 C
No of Fabric Support Profiles	
4	34 61
5	35 68
6	36 74
7	37 81
8	38 87
9	39 94
10	40 100
11	41 107
13	43 120

*Calculated according to a slope of 15%

DRAINAGE CALCULATION

Type	Max. m ²
Compact	30 m ² /pc

* per drainage

There should be at least one drainage, each 8 m length gutter.

MINIMUM SLOPE CHART

Slope	6,4-7,9%	7,4-8,8%	8,4-9,7%	9,4-10,8%	10,4-12%	11,2-12,7%	12-13,4%	13-14,5%	14-15,7%	15-16,6%	16-17,6%
-------	----------	----------	----------	-----------	----------	------------	----------	----------	----------	----------	----------

Rail Center

	200	225	250	275	300	325	350	375	400	425	450
250	11	14	16	19	21	23	25	28	30	33	35
300	15	18	21	24	26	29	32	35	37	40	43
350	18	22	25	29	32	35	38	41	44	48	51
400	22	26	30	34	37	41	44	48	52	56	59
450	27	31	35	39	43	47	51	55	59	64	68
500	31	36	40	45	49	54	58	63	67	72	76
550	35	40	45	50	55	60	65	70	75	80	85
600	39	45	50	56	61	67	72	78	83	89	94

*Note: Max. slope can be up to 25%

For back height of system 25 cm should be added to slope value.

WIND RESISTANCE

PROJECTION (cm)	WIDTH (cm)																	
	450	500	550	600	650	700	750	800	850	900	950	1000	1050	1100	1150	1200	1250	1300
800	11	10	10	10	10	10	9	9	9	9	10	10	10	10	10	10	10	10
900	10	9	9	9	9	9	9	9	8	8	9	9	9	9	9	9	9	9
1000	10	9	9	9	9	8	8	8	8	8	9	9	9	9	9	9	9	9
1100	9	8	8	8	8	8	8	7	7	7	8	8	8	8	8	8	8	8
1200	8	8	8	7	7	7	7	7	7	6	8	8	8	8	7	7	7	7

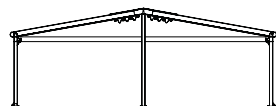
PROJECTION (cm)	WIDTH (cm)																	
	450	500	550	600	650	700	750	800	850	900	950	1000	1050	1100	1150	1200	1250	1300
800	8	8	8	7	7	7	6	6	6	6	8	8	8	8	7	7	7	7
900	8	7	7	7	7	7	6	6	6	6	8	7	7	7	7	7	7	7
1000	7	7	7	7	7	7	6	6	6	6	7	7	7	7	7	7	7	7
1100	7	7	6	6	6	6	6	6	6	6	7	7	6	6	6	6	6	6
1200	6	6	6	6	6	6	6	6	5	5	6	6	6	6	6	6	6	6

*The values are given according to the Beaufort scale.

**Calculated for Products with a front height of 250 cm according to Eurocode EN 1991-1-4 Terrain Category 4.

*** You can ask for new calculations for special designs.

SILVER Compact Twin



Projection	Width	2 RAILS					3 RAILS									4 RAILS							FS4 FS10-C	
		250 cm	300 cm	350 cm	400 cm	450 cm	500 cm	550 cm	600 cm	650 cm	700 cm	750 cm	800 cm	850 cm	900 cm	950 cm	1000 cm	1050 cm	1100 cm	1150 cm	1200 cm	1250 cm		1300 cm
400 cm		€ 9.713	€ 10.185	€ 10.845	€ 11.520	€ 11.989	€ 14.079	€ 14.536	€ 14.994	€ 15.863	€ 16.247	€ 16.564	€ 17.013	€ 17.467	€ 17.920	€ 20.216	€ 20.661	€ 21.110	€ 21.559	€ 22.010	€ 22.356	€ 22.957	€ 23.654	€ 1.625
450 cm		€ 9.918	€ 10.516	€ 11.168	€ 11.747	€ 12.223	€ 14.410	€ 15.000	€ 15.463	€ 16.218	€ 16.607	€ 16.933	€ 17.515	€ 18.101	€ 18.435	€ 20.692	€ 21.144	€ 21.726	€ 22.182	€ 22.638	€ 22.990	€ 23.601	€ 24.304	€ 1.718
500 cm		€ 10.121	€ 10.844	€ 11.487	€ 11.972	€ 12.453	€ 14.739	€ 15.465	€ 15.932	€ 16.569	€ 16.967	€ 17.300	€ 18.015	€ 18.734	€ 18.949	€ 21.165	€ 21.626	€ 22.339	€ 22.799	€ 23.265	€ 23.621	€ 24.241	€ 24.949	€ 1.811
550 cm		€ 10.489	€ 11.252	€ 11.936	€ 12.462	€ 12.984	€ 15.419	€ 16.183	€ 16.696	€ 17.377	€ 17.810	€ 18.188	€ 18.944	€ 19.705	€ 19.965	€ 22.295	€ 22.800	€ 23.556	€ 24.058	€ 24.565	€ 24.958	€ 25.620	€ 26.370	€ 1.904
600 cm		€ 10.852	€ 11.660	€ 12.382	€ 12.950	€ 13.517	€ 16.093	€ 16.900	€ 17.459	€ 18.179	€ 18.652	€ 19.074	€ 19.871	€ 20.675	€ 20.977	€ 23.423	€ 23.971	€ 24.772	€ 25.315	€ 25.864	€ 26.293	€ 26.995	€ 27.785	€ 1.997
650 cm		€ 11.182	€ 11.875	€ 12.607	€ 13.300	€ 13.874	€ 16.556	€ 17.247	€ 17.935	€ 18.667	€ 19.142	€ 19.572	€ 20.380	€ 21.196	€ 21.499	€ 24.156	€ 24.710	€ 25.393	€ 25.945	€ 26.624	€ 27.058	€ 27.768	€ 28.442	€ 2.089
700 cm		€ 11.511	€ 12.091	€ 12.831	€ 13.648	€ 14.229	€ 17.018	€ 17.595	€ 18.413	€ 19.152	€ 19.634	€ 20.071	€ 20.887	€ 21.714	€ 22.020	€ 24.886	€ 25.450	€ 26.016	€ 26.575	€ 27.384	€ 27.823	€ 28.540	€ 29.098	€ 2.182
750 cm		€ 11.723	€ 12.310	€ 13.056	€ 13.882	€ 14.469	€ 17.355	€ 17.938	€ 18.766	€ 19.512	€ 20.001	€ 20.444	€ 21.267	€ 22.099	€ 22.420	€ 25.369	€ 25.940	€ 26.513	€ 27.078	€ 27.896	€ 28.343	€ 29.067	€ 29.632	€ 2.275
800 cm		€ 11.931	€ 12.527	€ 13.281	€ 14.114	€ 14.708	€ 17.691	€ 18.283	€ 19.116	€ 19.867	€ 20.364	€ 20.817	€ 21.645	€ 22.479	€ 22.814	€ 25.851	€ 26.428	€ 27.010	€ 27.584	€ 28.406	€ 28.859	€ 29.589	€ 30.165	€ 2.368
850 cm		€ 12.148	€ 12.750	€ 13.512	€ 14.352	€ 14.954	€ 18.037	€ 18.638	€ 19.480	€ 20.240	€ 20.741	€ 21.202	€ 22.037	€ 22.879	€ 23.218	€ 26.344	€ 26.930	€ 27.517	€ 28.101	€ 28.932	€ 29.386	€ 30.125	€ 30.706	€ 2.461
900 cm		€ 12.365	€ 12.976	€ 13.742	€ 14.589	€ 15.198	€ 18.384	€ 18.993	€ 19.840	€ 20.608	€ 21.117	€ 21.585	€ 22.426	€ 23.278	€ 23.623	€ 26.836	€ 27.430	€ 28.024	€ 28.616	€ 29.455	€ 29.914	€ 30.660	€ 31.249	€ 2.552
950 cm		€ 12.575	€ 13.193	€ 13.969	€ 14.825	€ 15.439	€ 18.724	€ 19.336	€ 20.192	€ 20.970	€ 21.482	€ 21.959	€ 22.809	€ 23.667	€ 24.021	€ 27.321	€ 27.922	€ 28.521	€ 29.120	€ 29.967	€ 30.431	€ 31.186	€ 31.781	€ 2.645
1000 cm		€ 12.785	€ 13.411	€ 14.193	€ 15.055	€ 15.678	€ 19.060	€ 19.680	€ 20.543	€ 21.329	€ 21.848	€ 22.331	€ 23.188	€ 24.057	€ 24.413	€ 27.800	€ 28.410	€ 29.018	€ 29.622	€ 30.474	€ 30.948	€ 31.708	€ 32.312	€ 2.738
1050 cm		€ 13.164	€ 13.947	€ 14.768	€ 15.671	€ 16.335	€ 19.871	€ 20.658	€ 21.438	€ 22.391	€ 22.947	€ 23.471	€ 24.371	€ 25.281	€ 25.805	€ 29.166	€ 29.834	€ 30.607	€ 31.254	€ 32.148	€ 32.654	€ 33.454	€ 34.223	€ 2.831
1100 cm		€ 13.539	€ 14.480	€ 15.342	€ 16.286	€ 16.989	€ 20.682	€ 21.631	€ 22.332	€ 23.449	€ 24.043	€ 24.610	€ 25.552	€ 26.503	€ 27.194	€ 30.527	€ 31.256	€ 32.194	€ 32.882	€ 33.816	€ 34.356	€ 35.197	€ 36.129	€ 2.924
1150 cm		€ 13.763	€ 14.712	€ 15.581	€ 16.530	€ 17.242	€ 21.032	€ 21.991	€ 22.699	€ 23.821	€ 24.422	€ 24.996	€ 25.945	€ 26.902	€ 27.601	€ 31.039	€ 31.756	€ 32.703	€ 33.398	€ 34.339	€ 34.883	€ 35.732	€ 36.672	€ 3.016
1200 cm		€ 13.986	€ 14.942	€ 15.822	€ 16.776	€ 17.493	€ 21.382	€ 22.351	€ 23.067	€ 24.193	€ 24.801	€ 25.381	€ 26.337	€ 27.304	€ 28.009	€ 31.553	€ 32.258	€ 33.212	€ 33.914	€ 34.863	€ 35.412	€ 36.269	€ 37.215	€ 3.109
FS3		€ 219	€ 230	€ 251	€ 276	€ 298	€ 321	€ 344	€ 367	€ 390	€ 413	€ 530	€ 553	€ 576	€ 599	€ 623	€ 646	€ 669	€ 692	€ 715	€ 737	€ 760	€ 783	
FS5-A		€ 40	€ 51	€ 60	€ 68	€ 79	€ 88	€ 98	€ 107	€ 118	€ 126	€ 137	€ 146	€ 156	€ 165	€ 176	€ 184	€ 195	€ 204	€ 214	€ 223	€ 234	€ 242	
FS5-E		€ 56	€ 70	€ 82	€ 94	€ 109	€ 121	€ 135	€ 147	€ 162	€ 174	€ 189	€ 201	€ 215	€ 227	€ 242	€ 254	€ 268	€ 280	€ 295	€ 307	€ 322	€ 334	

FS3	Gutter System
FS5-A	Additional Fabric Support Profile (Standard)
FS5-E	Additional Fabric Support Profile (3 Axis)
FS4 FS10-C	Additional Rail for Compact Series- Al.- 75x120mm for both projection side Additional Pillar for Compact Series- Al.- 80x80mm
FS8	Lighting System

FS8	
FS8-S	SPOT
FS8-L	LINEAR
FS8-E	3 AXIS ⁹
FS8-LR	LINEAR (RGB)
FS8-ER	3 AXIS (RGB) ⁹

LEDTYPE & MODULE		
2 LED	3 LED	4 LED
€ 151	€ 183	€ 216
€ 216	€ 280	
€ 248	€ 323	
€ 274	€ 356	
€ 315	€ 409	

Notes:

- FS9-C- Side Beam (Al. 80x130mm) is included in the price for right and left side.
- FS Flexy Plain/3D or Stam 6002 is included in the price.
- Motor and Remote control is included in the price.
- Palmiye Aluminium Coating Catalogue includes the standard colours with no extra cost. For any other type/brand/color of paint, price difference and additional delivery duration shall be checked from your customer representative.
- Standard fabric support profile plastic colours are specified in Palmiye Aluminium Coating Catalogue.
- If you use an additional rail you have to add a front pillar. It's included in the price. (FS4+FS10-C)
- The gutter option price is for one side and must be added separately for each side.
- In pergolas including steel front pillars, if gutter option is preferred, external water drainage points will be specified according to the Project and will be priced additionally.
- 3 AXIS lights available only at exclusive fabric option.

DEDUCTIONS

Price deduction is applicable only for front & back pillars and side beam. Deduction amount shall be consider as 70% of related option price.

OPTIONS

FS10-C	Extra pillar (80x80mm Al.)	€ 368	pcs
FS10	Extra pillar (100x100mm Al.)	€ 500	pcs
FS10-ST3	Extra pillar (100x100x3mm St.)	€ 479	pcs
FS10-ST5	Extra pillar (100x100x5mm St.)	€ 698	pcs
FS11	Deco ceiling cover	€ 66	m ²
FS15-C	Side beam pillar (80x80mm - Al)	€ 368	pcs
FS19	Fix louver	€ 68	lm
FS23	External Square Downpipe	€ 306	pcs
FS24	W96 Ceiling Cover	€ 76	m ²
FS26	Exclusive fabric difference (up to 800cm width)	€ 45	m ²
FS27	3 Axis lighting fabric support profile difference	€ 13	m ²
FS29-1	Sun Sensor (SUNIS) (for single motor)	€ 567	pcs
FS29-1S	Sun Sensor (SUNIS) (for synchronized motor)	€ 903	pcs
FS29-2	Wind Sensor (EOLIS RTS) (for single motor)	€ 267	pcs
FS29-2S	Wind Sensor (EOLIS RTS) (for synchronized motor)	€ 600	pcs
FS29-3	Sun and Wind Sensor (SOLIRIS RTS) (for single motor)	€ 302	pcs
FS29-3S	Sun and Wind Sensor (SOLIRIS RTS) (for synchronized motor)	€ 635	pcs
FS29-4 ^{2/3}	Rain Sensor (ONDEIS) (for single motor)	€ 524	pcs
FS29-4S ^{2/3}	Rain Sensor (ONDEIS) (for synchronized motor)	€ 856	pcs
FS30	CONNEXOON	€ 479	pcs

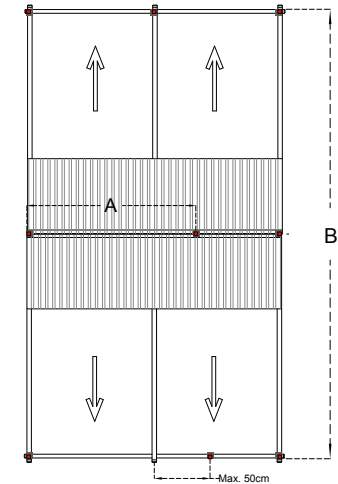
Notes:

- Fabric support profiles can be painted in the same color as the general construction. No fee is paid for this process. However, the plastic color should be specified from our standard plastic colours in Palmiye Color Chart.
- For one product, a dry contact transmitter costing 337€, must be added.
- Up to 5 products, a RS485 Automation interface dry contact transmitter costing 1027€, must be added.
- Exclusive fabric option can only be selected together with 3 axis fabric support profile. Price difference for 3 axis fabric profile should be added.

EXTENSIONS

Rail	Compact - 75x120mm	€ 188	lm
Beam	Al. 80x130mm	€ 90	lm
Beam	Al. 100x150mm	€ 141	lm
Beam	St. 100x150x3mm	€ 292	lm
Beam	St. 100x150x5mm	€ 354	lm
Beam	St. 100x200x3mm	€ 296	lm
Beam	St. 100x200x5mm	€ 421	lm
Fabric protection cover	Al. - 63x___cm	€ 55	m ²
Gutter	Special Profile	€ 41	lm
Pillar	Al. 80x80mm	€ 83	lm
Pillar	Al. 100x100mm	€ 158	lm
Pillar	St. 100x100x3mm	€ 198	lm
Pillar	St. 100x100x5mm	€ 354	lm
Pillar	St. 150x150x3mm	€ 401	lm
Pillar	St. 150x150x5mm	€ 562	lm

*Max. Al. Front pillar (Al. 80x80mm) height is 280cm
 *Max. St 3mm. Front pillar (St. 100x100x3mm) height is 380cm
 *Max. St. 5mm Front pillar (St. 100x100x5mm) height is 480cm



Middle front pillars can only be moved max. 50 cm towards right or left side.

PRICE DIFFERENCE

		BEAM GROUP	
		Standard	Al. 100x150mm
Back Beam	to	St. 100x150x3mm	€ 146 lm
		St. 100x150x5mm	€ 217 lm
		St. 100x200x3mm	€ 150 lm
		St. 100x200x5mm	€ 283 lm
		Standard	Al. 80x130mm
Front Beam	to	Al. 100x150mm	€ 52 lm
		St. 100x150x3mm	€ 214 lm
		St. 100x150x5mm	€ 285 lm
		St. 100x200x3mm	€ 218 lm
		St. 100x200x5mm	€ 351 lm

		PILLAR GROUP	
		Standard	Al. 100x100mm
Back Pillar	to	St. 100x100x3mm	€ 101 pcs
		St. 100x100x5mm	€ 416 pcs
		St. 150x150x3mm	€ 635 pcs
		St. 150x150x5mm	€ 1.124 pcs
		Standard	Al. 80x80mm
Front Pillar	to	Al. 100x100mm	€ 130 pcs
		St. 100x100x3mm	€ 270 pcs
		St. 100x100x5mm	€ 585 pcs
		St. 150x150x3mm	€ 804 pcs
		St. 150x150x5mm	€ 1.292 pcs

STANDARD CONSTRUCTION

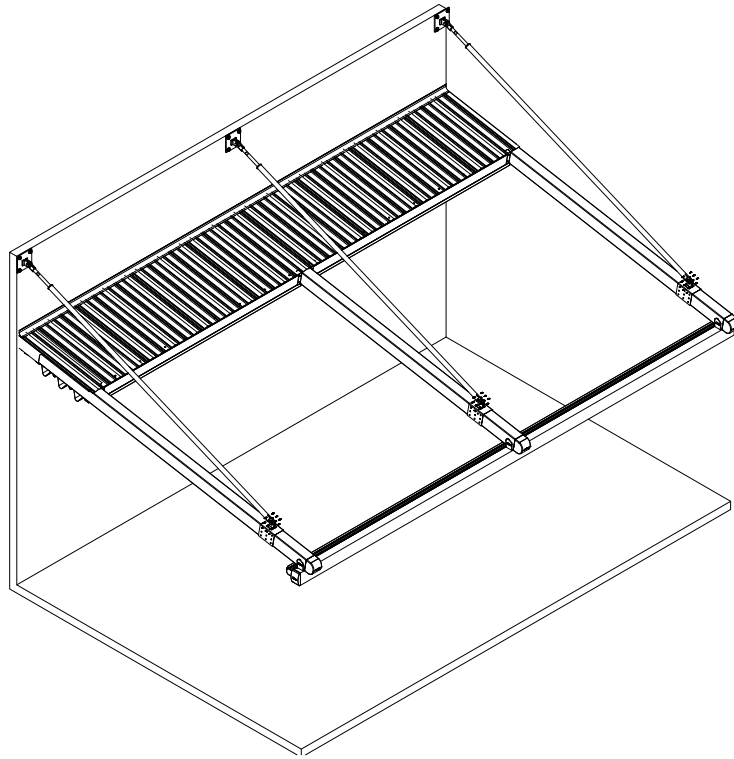
		WIDTH																	
		450	500	550	600	650	700	750	800	850	900	950	1000	1050	1100	1150	1200	1250	1300
PROJECTION	400																		
	600																		
	800																		
	900																		
	1000																		
	1100																		
1200																			

BACK PILLAR : Al. 100x100x3mm
 BACK BEAM : Al. 100x150x3mm
 (in price included)

BACK PILLAR POSITION CHANGE

		A								
		500	550	600	650	700	750	800	850	900
B	400									
	600									
	800									
	1000									
	1200									

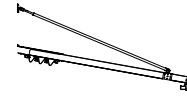
BACK PILLAR : Al. 100x100x3mm
 BACK BEAM : Al. 100x150x3mm
 BACK PILLAR : St. 100x100x3mm
 BACK BEAM : St. 100x150x3mm
 BACK PILLAR : St. 100x100x5mm
 BACK BEAM : St. 100x150x5mm
 BACK PILLAR : St. 100x100x5mm
 BACK BEAM : St. 100x200x5mm
 (Construction price difference needs to be added. The deflection doesn't evaluate on this chart.)



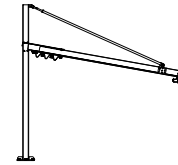
SILVER HANGING

PRODUCT FORMS

- **Silver Hanging** Wall / Ceiling Installation
-



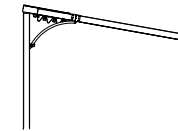
- **Silver Hanging** Freestanding
-



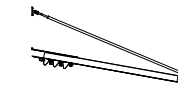
- **Silver Hanging** Wall / Ceiling Installation - Buttress
-



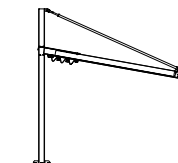
- **Silver Hanging** Freestanding - Buttress
-



- **Silver Compact Hanging** Wall / Ceiling Installation
-

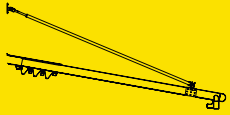


- **Silver Compact Hanging** Freestanding
-



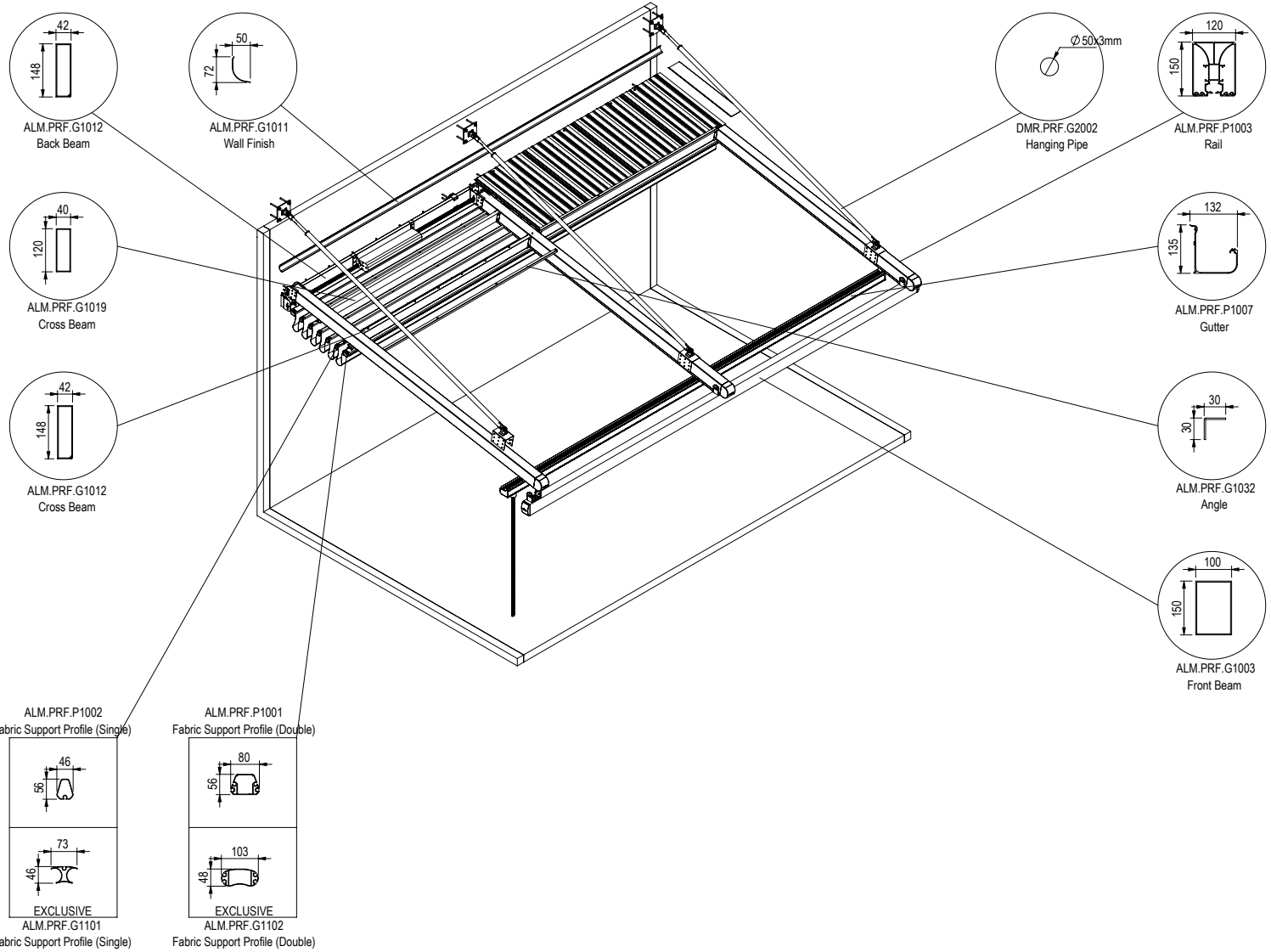
SILVER

Hanging Wall / Ceiling



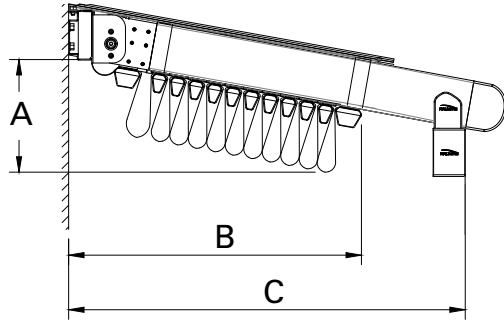
MAXIMUM DIMENSIONS

	WIDTH	PROJECTION
2 RAILS	450 cm	600 cm
3 RAILS	900 cm	600 cm
4 RAILS	1300 cm	600 cm



TECHNICAL FEATURES

COLLECTED FABRIC DIMENSIONS



No of Fabric Support Profiles	TILTED VERSION										C
	Projection cm										
	185	235	284	334	383	433	482	532	581		
4	34										61
5		35									68
6			36								74
7				37							81
8					38						87
9						39					94
10							40				100
11								41			107
12									42		113

*Calculated according to a slope of 15%

DRAINAGE CALCULATION

Type	Max. m ²
Full	39 m ² /pc

* per drainage

There should be at least one drainage, each 8 m length gutter.

MINIMUM SLOPE CHART

Projection	Slope										
	6,4-7,9%	7,4-8,8%	8,4-9,7%	9,4-10,8%	10,4-12%	11,2-12,7%	12-13,4%	13-14,5%	14-15,7%	15-16,6%	16-17,6%
	Rail Center										
	200	225	250	275	300	325	350	375	400	425	450
250	16	19	21	24	26	28	30	33	35	38	40
300	20	23	26	29	31	34	37	40	42	45	48
350	23	27	30	34	37	40	43	46	49	53	56
400	27	31	35	39	42	46	49	53	57	61	64
450	32	36	40	44	48	52	56	60	64	69	73
500	36	41	45	50	54	59	63	68	72	77	81
550	40	45	50	55	60	65	70	75	80	85	90
600	44	50	55	61	66	72	77	83	88	94	99

*Note: Max. slope can be up to 25%

For back height of system 30 cm should be added to slope value.

WIND RESISTANCE

PROJECTION (cm)	WIDTH (cm)																	
	450	500	550	600	650	700	750	800	850	900	950	1000	1050	1100	1150	1200	1250	1300
400	10	10	10	9	9	9	8	8	8	7	9	9	9	8	8	8	8	7
450	10	9	8	8	8	8	7	7	7	7	8	8	8	7	7	7	7	7
500	9	8	7	7	7	7	6	6	6	6	7	7	7	6	6	6	6	6
550	8	7	7	7	7	6	6	6	6	6	7	6	6	6	6	6	6	6
600	7	6	6	6	6	5	5	5	5	5	6	5	5	5	5	5	5	5

*The values are given according to the Beaufort scale.

**Calculated for Products with a front height of 250 cm according to Eurocode EN 1991-1-4 Terrain Category 4.

*** You can ask for new calculations for special designs.

All sides open

SILVER Hanging Wall / Ceiling



Projection	Width	2 RAILS					3 RAILS									4 RAILS									FS4	FS9	FS9-S
		250 cm	300 cm	350 cm	400 cm	450 cm	500 cm	550 cm	600 cm	650 cm	700 cm	750 cm	800 cm	850 cm	900 cm	950 cm	1000 cm	1050 cm	1100 cm	1150 cm	1200 cm	1250 cm	1300 cm				
200 cm		€ 6.975	€ 7.317	€ 7.795	€ 8.283	€ 8.623	€ 10.132	€ 10.463	€ 10.796	€ 11.427	€ 11.707	€ 11.940	€ 12.267	€ 12.599	€ 12.930	€ 14.592	€ 14.918	€ 15.248	€ 15.577	€ 15.907	€ 16.163	€ 16.602	€ 17.112	€ 1.082	€ 221	€ 294	
250 cm		€ 7.281	€ 7.803	€ 8.271	€ 8.623	€ 8.973	€ 10.625	€ 11.151	€ 11.494	€ 11.958	€ 12.249	€ 12.493	€ 13.013	€ 13.537	€ 13.696	€ 15.304	€ 15.644	€ 16.165	€ 16.503	€ 16.844	€ 17.109	€ 17.564	€ 18.083	€ 1.194	€ 267	€ 367	
300 cm		€ 7.817	€ 8.401	€ 8.927	€ 9.341	€ 9.753	€ 11.619	€ 12.206	€ 12.612	€ 13.140	€ 13.486	€ 13.795	€ 14.377	€ 14.965	€ 15.188	€ 16.967	€ 17.370	€ 17.955	€ 18.355	€ 18.759	€ 19.077	€ 19.593	€ 20.173	€ 1.306	€ 313	€ 441	
350 cm		€ 8.305	€ 8.727	€ 9.265	€ 9.860	€ 10.284	€ 12.307	€ 12.728	€ 13.326	€ 13.867	€ 14.220	€ 14.541	€ 15.139	€ 15.745	€ 15.972	€ 18.058	€ 18.473	€ 18.891	€ 19.302	€ 19.896	€ 20.224	€ 20.752	€ 21.165	€ 1.419	€ 358	€ 514	
400 cm		€ 8.621	€ 9.056	€ 9.604	€ 10.214	€ 10.647	€ 12.815	€ 13.249	€ 13.858	€ 14.410	€ 14.775	€ 15.110	€ 15.716	€ 16.329	€ 16.576	€ 18.792	€ 19.219	€ 19.649	€ 20.072	€ 20.680	€ 21.015	€ 21.556	€ 21.981	€ 1.531	€ 404	€ 588	
450 cm		€ 8.947	€ 9.394	€ 9.954	€ 10.574	€ 11.019	€ 13.341	€ 13.787	€ 14.408	€ 14.971	€ 15.347	€ 15.694	€ 16.311	€ 16.936	€ 17.194	€ 19.545	€ 19.983	€ 20.422	€ 20.861	€ 21.481	€ 21.822	€ 22.375	€ 22.812	€ 1.643	€ 449	€ 661	
500 cm		€ 9.266	€ 9.724	€ 10.296	€ 10.927	€ 11.385	€ 13.855	€ 14.309	€ 14.944	€ 15.523	€ 15.905	€ 16.262	€ 16.894	€ 17.534	€ 17.800	€ 20.282	€ 20.733	€ 21.185	€ 21.633	€ 22.264	€ 22.618	€ 23.183	€ 23.632	€ 1.756	€ 495	€ 734	
550 cm		€ 9.585	€ 10.053	€ 10.637	€ 11.281	€ 11.750	€ 14.369	€ 14.831	€ 15.480	€ 16.074	€ 16.463	€ 16.830	€ 17.476	€ 18.131	€ 18.406	€ 21.020	€ 21.482	€ 21.948	€ 22.404	€ 23.048	€ 23.413	€ 23.990	€ 24.451	€ 1.868	€ 541	€ 808	
600 cm		€ 9.905	€ 10.383	€ 10.978	€ 11.634	€ 12.115	€ 14.883	€ 15.354	€ 16.016	€ 16.626	€ 17.022	€ 17.399	€ 18.058	€ 18.729	€ 19.012	€ 21.757	€ 22.232	€ 22.711	€ 23.176	€ 23.831	€ 24.209	€ 24.798	€ 25.270	€ 1.981	€ 586	€ 881	
FS3		€ 219	€ 230	€ 251	€ 276	€ 298	€ 321	€ 344	€ 367	€ 390	€ 413	€ 530	€ 553	€ 576	€ 599	€ 623	€ 646	€ 669	€ 692	€ 715	€ 737	€ 760	€ 783				
FS5-A		€ 40	€ 51	€ 60	€ 68	€ 79	€ 88	€ 98	€ 107	€ 118	€ 126	€ 137	€ 146	€ 156	€ 165	€ 176	€ 184	€ 195	€ 204	€ 214	€ 223	€ 234	€ 242				
FS5-E		€ 56	€ 70	€ 82	€ 94	€ 109	€ 121	€ 135	€ 147	€ 162	€ 174	€ 189	€ 201	€ 215	€ 227	€ 242	€ 254	€ 268	€ 280	€ 295	€ 307	€ 322	€ 334				

FS3	Gutter System
FS5-A	Additional Fabric Support Profile (Standard)
FS5-E	Additional Fabric Support Profile (3 Axis)
FS4	Additional Rail - Al.- 120x150mm
FS8	Lighting System
FS9	Side Beam - Al.- 50x150mm
FS9-S	Side Beam - Al.- 100x150mm (Special)

FS8		LEDTYPE & MODULE		
		2 LED	3 LED	4 LED
FS8-S	SPOT	€ 151	€ 183	€ 216
FS8-L	LINEAR	€ 216	€ 280	
FS8-E	3 AXIS ⁶	€ 248	€ 323	
FS8-LR	LINEAR (RGB)	€ 274	€ 356	
FS8-ER	3 AXIS (RGB) ⁶	€ 315	€ 409	

Notes:

- Any Side Beam is not included in the price.
- FS Flexy Plain/3D or Stam 6002 is included in the price.
- Motor and Remote control is included in the price.
- Palmye Aluminium Coating Catalogue includes the standard colours with no extra cost. For any other type/brand/color of paint, price difference and additional delivery duration shall be checked from your customer representative.
- Standard fabric support profile plastic colours are specified in Palmye Aluminium Coating Catalogue.
- 3 AXIS lights available only at exclusive fabric option.

OPTIONS

FS11	Deco ceiling cover	€ 66	m ²
FS15	Side beam pillar (50x100mm - Al)	€ 259	pcs
FS15-B	Side beam pillar (100x100mm - Al)	€ 500	pcs
FS19	Fix louver	€ 68	lm
FS24	W96 Ceiling Cover	€ 76	m ²
FS26	Exclusive fabric difference (up to 800cm width)	€ 45	m ²
FS27	3 Axis lighting fabric support profile difference	€ 13	m ²
FS28-1	Stainless steel chain - 100 cm	€ 72	1m
FS28-2	Stainless steel chain - 200 cm	€ 140	2m
FS28-3	Stainless steel chain - 300 cm	€ 204	3m
FS28-4	Stainless steel chain - 400 cm	€ 272	4m
FS29-1	Sun Sensor (SUNIS) (for single motor)	€ 567	pcs
FS29-1S	Sun Sensor (SUNIS) (for synchronized motor)	€ 903	pcs
FS29-2	Wind Sensor (EOLIS RTS) (for single motor)	€ 267	pcs
FS29-2S	Wind Sensor (EOLIS RTS) (for synchronized motor)	€ 600	pcs
FS29-3	Sun and Wind Sensor (SOLIRIS RTS) (for single motor)	€ 302	pcs
FS29-3S	Sun and Wind Sensor (SOLIRIS RTS) (for synchronized motor)	€ 635	pcs
FS29-4 ^{2/3}	Rain Sensor (ONDEIS) (for single motor)	€ 524	pcs
FS29-4S ^{2/3}	Rain Sensor (ONDEIS) (for synchronized motor)	€ 856	pcs
FS30	CONNEXOON	€ 479	pcs

Notes:

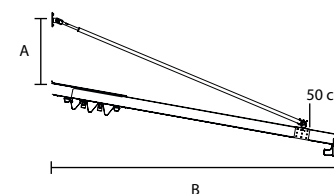
1. Fabric support profiles can be painted in the same color as the general construction. No fee is paid for this process. However, the plastic color should be specified from our standard plastic colours in Palmiye Color Chart.
2. For one product, a dry contact transmitter costing 337€, must be added.
3. Up to 5 products, a RS485 Automation interface dry contact transmitter costing 1027€, must be added.
4. Exclusive fabric option can only be selected together with 3 axis fabric support profile. Price difference for 3 axis fabric profile should be added.

EXTENSIONS

Rail	- 120x150mm	€ 308	lm
Beam	Al. 42x150mm	€ 96	lm
Beam	Al. 50x150mm	€ 169	lm
Beam	Al. 100x150mm	€ 141	lm
Beam	St. 100x150x3mm	€ 292	lm
Beam	St. 100x150x5mm	€ 354	lm
Beam	St. 100x200x3mm	€ 296	lm
Beam	St. 100x200x5mm	€ 421	lm
Fabric protection cover	Al. - 63x__cm	€ 55	m ²
Gutter	Special Profile	€ 41	lm

PRICE DIFFERENCE

		BEAM GROUP	
Standard	Al. 42x150mm		
Back Beam to	Al. 50x150mm	€ 74	lm
	St. 50x150x3mm	€ 95	lm
	St. 50x150x5mm	€ 176	lm
	Al. 100x150mm	€ 44	lm
	St. 100x150x3mm	€ 192	lm
	St. 100x150x5mm	€ 260	lm
	St. 100x200x3mm	€ 196	lm
	St. 100x200x5mm	€ 328	lm



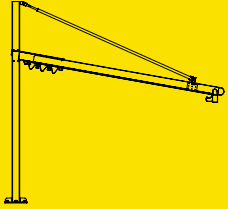
MINIMUM "A" VALUES

B (cm)	250	300	350	400	450	500	550	600
A (cm)	50	50	50	60	70	80	90	100

Upper values will be evaluated on a project basis.

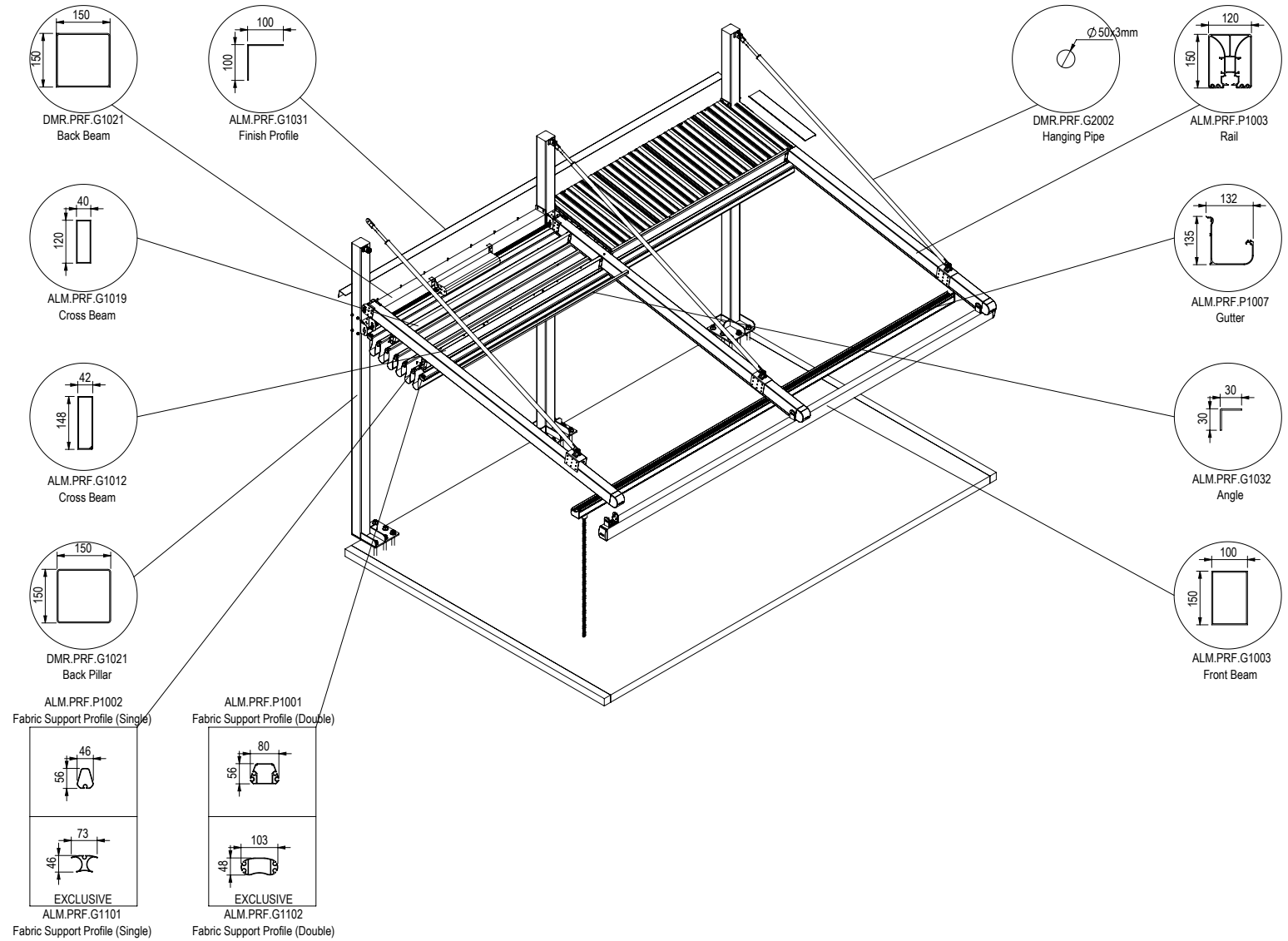
SILVER

Hanging Freestanding



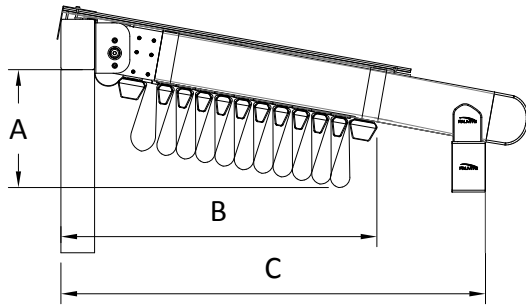
MAXIMUM DIMENSIONS

	WIDTH	PROJECTION
2 RAILS	450 cm	600 cm
3 RAILS	900 cm	600 cm
4 RAILS	1300 cm	600 cm



TECHNICAL FEATURES

COLLECTED FABRIC DIMENSIONS



TILTED VERSION	Projection cm										C
	185	235	284	334	383	433	482	532	581		
4	35										66
5		36									73
6			37								79
7				38							86
8					39						92
9						40					99
10							41				105
11								42			112
12									43		118

*Calculated according to a slope of 15%

DRAINAGE CALCULATION

Type	Max. m ²
Full	39 m ² /pc

* per drainage

There should be at least one drainage, each 8 m length gutter.

MINIMUM SLOPE CHART

Projection	Slope										
	6,4-7,9%	7,4-8,8%	8,4-9,7%	9,4-10,8%	10,4-12%	11,2-12,7%	12-13,4%	13-14,5%	14-15,7%	15-16,6%	16-17,6%
	Rail Center										
	200	225	250	275	300	325	350	375	400	425	450
250	16	19	21	24	26	28	30	33	35	38	40
300	20	23	26	29	31	34	37	40	42	45	48
350	23	27	30	34	37	40	43	46	49	53	56
400	27	31	35	39	42	46	49	53	57	61	64
450	32	36	40	44	48	52	56	60	64	69	73
500	36	41	45	50	54	59	63	68	72	77	81
550	40	45	50	55	60	65	70	75	80	85	90
600	44	50	55	61	66	72	77	83	88	94	99

For back height of system 25 cm should be added to slope value.

*Note: Max. slope can be up to 25%

WIND RESISTANCE

PROJECTION (cm)	WIDTH																	
	450	500	550	600	650	700	750	800	850	900	950	1000	1050	1100	1150	1200	1250	1300
400	10	10	10	9	9	9	9	8	8	8	9	9	9	9	8	8	8	8
450	9	9	9	8	8	8	8	7	7	7	8	8	8	8	7	7	7	7
500	8	8	8	8	8	7	7	7	7	6	8	7	7	7	7	7	7	6
550	8	8	7	7	7	7	6	6	6	6	7	7	7	6	6	6	6	6
600	7	7	7	6	6	6	6	6	6	5	5	6	6	6	6	6	5	5

All sides open

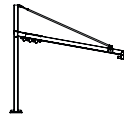
*The values are given according to the Beaufort scale.

**Calculated for Products with a front height of 250 cm according to Eurocode EN 1991-1-4 Terrain Category 4.

*** You can ask for new calculations for special designs.

SILVER

Hanging Freestanding



Projection	Width	2 RAILS															3 RAILS										4 RAILS										FS4	FS9	FS9-S
		250 cm	300 cm	350 cm	400 cm	450 cm	500 cm	550 cm	600 cm	650 cm	700 cm	750 cm	800 cm	850 cm	900 cm	950 cm	1000 cm	1050 cm	1100 cm	1150 cm	1200 cm	1250 cm	1300 cm																
200 cm		€ 8.294	€ 8.636	€ 9.114	€ 9.602	€ 9.942	€ 12.110	€ 12.441	€ 12.774	€ 13.406	€ 13.686	€ 13.918	€ 14.246	€ 14.577	€ 14.908	€ 17.230	€ 17.556	€ 17.886	€ 18.215	€ 18.545	€ 18.801	€ 19.240	€ 19.750	€ 1.082	€ 221	€ 294													
250 cm		€ 8.600	€ 9.122	€ 9.590	€ 9.942	€ 10.292	€ 12.604	€ 13.129	€ 13.472	€ 13.937	€ 14.227	€ 14.471	€ 14.992	€ 15.516	€ 15.675	€ 17.942	€ 18.282	€ 18.803	€ 19.141	€ 19.482	€ 19.747	€ 20.202	€ 20.721	€ 1.194	€ 267	€ 367													
300 cm		€ 9.136	€ 9.720	€ 10.245	€ 10.660	€ 11.072	€ 13.597	€ 14.184	€ 14.591	€ 15.118	€ 15.465	€ 15.774	€ 16.356	€ 16.943	€ 17.167	€ 19.605	€ 20.008	€ 20.593	€ 20.993	€ 21.397	€ 21.715	€ 22.231	€ 22.811	€ 1.306	€ 313	€ 441													
350 cm		€ 9.624	€ 10.046	€ 10.583	€ 11.179	€ 11.603	€ 14.285	€ 14.707	€ 15.304	€ 15.845	€ 16.199	€ 16.520	€ 17.117	€ 17.723	€ 17.950	€ 20.696	€ 21.111	€ 21.529	€ 21.940	€ 22.534	€ 22.862	€ 23.390	€ 23.803	€ 1.419	€ 358	€ 514													
400 cm		€ 9.940	€ 10.375	€ 10.923	€ 11.533	€ 11.966	€ 14.794	€ 15.227	€ 15.837	€ 16.388	€ 16.754	€ 17.088	€ 17.694	€ 18.307	€ 18.555	€ 21.430	€ 21.857	€ 22.287	€ 22.710	€ 23.318	€ 23.653	€ 24.194	€ 24.619	€ 1.531	€ 404	€ 588													
450 cm		€ 10.393	€ 10.866	€ 11.452	€ 12.097	€ 12.568	€ 15.575	€ 16.046	€ 16.693	€ 17.281	€ 17.682	€ 18.054	€ 18.698	€ 19.348	€ 19.632	€ 22.667	€ 23.131	€ 23.596	€ 24.060	€ 24.705	€ 25.072	€ 25.651	€ 26.113	€ 1.643	€ 449	€ 661													
500 cm		€ 10.713	€ 11.196	€ 11.793	€ 12.450	€ 12.933	€ 16.088	€ 16.568	€ 17.229	€ 17.833	€ 18.241	€ 18.623	€ 19.280	€ 19.946	€ 20.238	€ 23.405	€ 23.881	€ 24.359	€ 24.832	€ 25.489	€ 25.868	€ 26.458	€ 26.933	€ 1.756	€ 495	€ 734													
550 cm		€ 11.032	€ 11.525	€ 12.135	€ 12.804	€ 13.299	€ 16.602	€ 17.090	€ 17.765	€ 18.384	€ 18.799	€ 19.191	€ 19.862	€ 20.543	€ 20.844	€ 24.142	€ 24.630	€ 25.122	€ 25.603	€ 26.272	€ 26.663	€ 27.266	€ 27.752	€ 1.868	€ 541	€ 808													
600 cm		€ 11.351	€ 11.855	€ 12.476	€ 13.157	€ 13.664	€ 17.116	€ 17.613	€ 18.301	€ 18.936	€ 19.357	€ 19.760	€ 20.444	€ 21.141	€ 21.450	€ 24.880	€ 25.380	€ 25.885	€ 26.375	€ 27.056	€ 27.459	€ 28.073	€ 28.571	€ 1.981	€ 586	€ 881													
FS3		€ 219	€ 230	€ 251	€ 276	€ 298	€ 321	€ 344	€ 367	€ 390	€ 413	€ 530	€ 553	€ 576	€ 599	€ 623	€ 646	€ 669	€ 692	€ 715	€ 737	€ 760	€ 783																
FS5-A		€ 40	€ 51	€ 60	€ 68	€ 79	€ 88	€ 98	€ 107	€ 118	€ 126	€ 137	€ 146	€ 156	€ 165	€ 176	€ 184	€ 195	€ 204	€ 214	€ 223	€ 234	€ 242																
FS5-E		€ 56	€ 70	€ 82	€ 94	€ 109	€ 121	€ 135	€ 147	€ 162	€ 174	€ 189	€ 201	€ 215	€ 227	€ 242	€ 254	€ 268	€ 280	€ 295	€ 307	€ 322	€ 334																

FS3	Gutter System
FS5-A	Additional Fabric Support Profile (Standard)
FS5-E	Additional Fabric Support Profile (3 Axis)
FS4	Additional Rail - Al. - 120x150mm
FS8	Lighting System
FS9	Side Beam - Al. - 50x150mm
FS9-S	Side Beam - Al. - 100x150mm (Special)

FS8	
FS8-S	SPOT
FS8-L	LINEAR
FS8-E	3 AXIS ⁷
FS8-L (RGB)	LINEAR (RGB)
FS8-E (RGB)	3 AXIS (RGB) ⁷

LEDTYPE & MODULE		
2 LED	3 LED	4 LED
€ 151	€ 183	€ 216
€ 216	€ 280	
€ 248	€ 323	
€ 274	€ 356	
€ 315	€ 409	

Notes:

- Any Side Beam is not included in the price.
- FS Flexy Plain/3D or Stam 6002 is included in the price.
- Motor and Remote control is included in the price.
- Palmiye Aluminium Coating Catalogue includes the standard colours with no extra cost. For any other type/brand/color of paint, price difference and additional delivery duration shall be checked from your customer representative.
- Standard fabric support profile plastic colours are specified in Palmiye Aluminium Coating Catalogue.
- In pergolas including steel front pillars, if gutter option is preferred, external water drainage points will be specified according to the Project and will be priced additionally.
- 3 AXIS lights available only at exclusive fabric option.

DEDUCTIONS

Price deduction is applicable only for back pillars and back beam. Deduction amount shall be consider as 70% of related option price.

OPTIONS

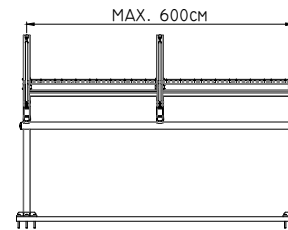
FS10-150ST3	Extra pillar (150x150x3mm St.)	€ 894	pcs
FS10-150ST5	Extra pillar (150x150x5mm St.)	€ 1.250	pcs
FS10-150ST5-H	Extra Half pillar (150x150x5mm St.)	€ 150	pcs
FS11	Deco ceiling cover	€ 66	m ²
FS15	Side beam pillar (50x100mm - Al)	€ 259	pcs
FS15-B	Side beam pillar (100x100mm - Al)	€ 500	pcs
FS19	Fix louver	€ 68	lm
FS24	W96 Ceiling Cover	€ 76	m ²
FS26	Exclusive fabric difference (up to 800cm width)	€ 45	m ²
FS27	3 Axis lighting fabric support profile difference	€ 13	m ²
FS28-1	Stainless steel chain - 100 cm	€ 72	1m
FS28-2	Stainless steel chain - 200 cm	€ 140	2m
FS28-3	Stainless steel chain - 300 cm	€ 204	3m
FS28-4	Stainless steel chain - 400 cm	€ 272	4m
FS29-1	Sun Sensor (SUNIS) (for single motor)	€ 567	pcs
FS29-1S	Sun Sensor (SUNIS) (for synchronized motor)	€ 903	pcs
FS29-2	Wind Sensor (EOLIS RTS) (for single motor)	€ 267	pcs
FS29-2S	Wind Sensor (EOLIS RTS) (for synchronized motor)	€ 600	pcs
FS29-3	Sun and Wind Sensor (SOLIRIS RTS) (for single motor)	€ 302	pcs
FS29-3S	Sun and Wind Sensor (SOLIRIS RTS) (for synchronized motor)	€ 635	pcs
FS29-4 ^{2/3}	Rain Sensor (ONDEIS) (for single motor)	€ 524	pcs
FS29-4S ^{2/3}	Rain Sensor (ONDEIS) (for synchronized motor)	€ 856	pcs
FS30	CONNEXOON	€ 479	pcs

Notes:

1. Fabric support profiles can be painted in the same color as the general construction. No fee is paid for this process. However, the plastic color should be specified from our standard plastic colours in Palmiye Color Chart.
2. For one product, a dry contact transmitter costing 337€, must be added.
3. Up to 5 products, a RS485 Automation interface dry contact transmitter costing 1027€, must be added.
4. Exclusive fabric option can only be selected together with 3 axis fabric support profile. Price difference for 3 axis fabric profile should be added.

EXTENSIONS

Rail	- 120x150mm	€ 308	lm
Beam	Al. 100x150mm	€ 141	lm
Beam	St. 100x150x3mm	€ 292	lm
Beam	St. 100x150x5mm	€ 354	lm
Beam	St. 100x200x3mm	€ 296	lm
Beam	St. 100x200x5mm	€ 421	lm
Fabric protection cover	Al. - 63x__cm	€ 55	m ²
Gutter	Special Profile	€ 41	lm

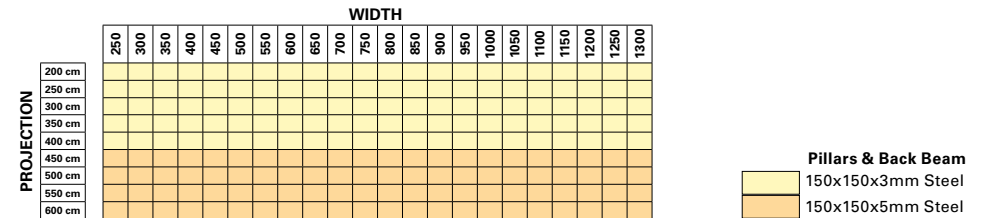


- The front beam can not be produced in steel.
- Ground flanges are 380x380x15 mm.
- When pillar reduction is applied, half pillar must be installed at the back of each rail shaft, and steel back pillars and back beam should be 150x150 mm.
- In condition of adding an additional rail, a steel 150x150 mm back pillar should also be added.

PRICE DIFFERENCE

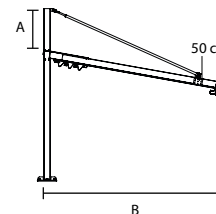
PILLAR GROUP			
Pillar	Standard	St. 150x150x3mm	
	to	St. 150x150x5mm	€ 488 pcs

STANDARD CONSTRUCTION



* In case of reducing middle pillars, distance between the pillars can be maximum 600 cm.

** Steel with a wall thickness of 5 mm must be used in all cases where the pillar is reduced.



MINIMUM "A" VALUES

B (cm)	250	300	350	400	450	500	550	600
A (cm)	50	50	50	60	70	80	90	100

Upper values will be evaluated on a project basis.

- Max. pillar length: 480 cm

SILVER

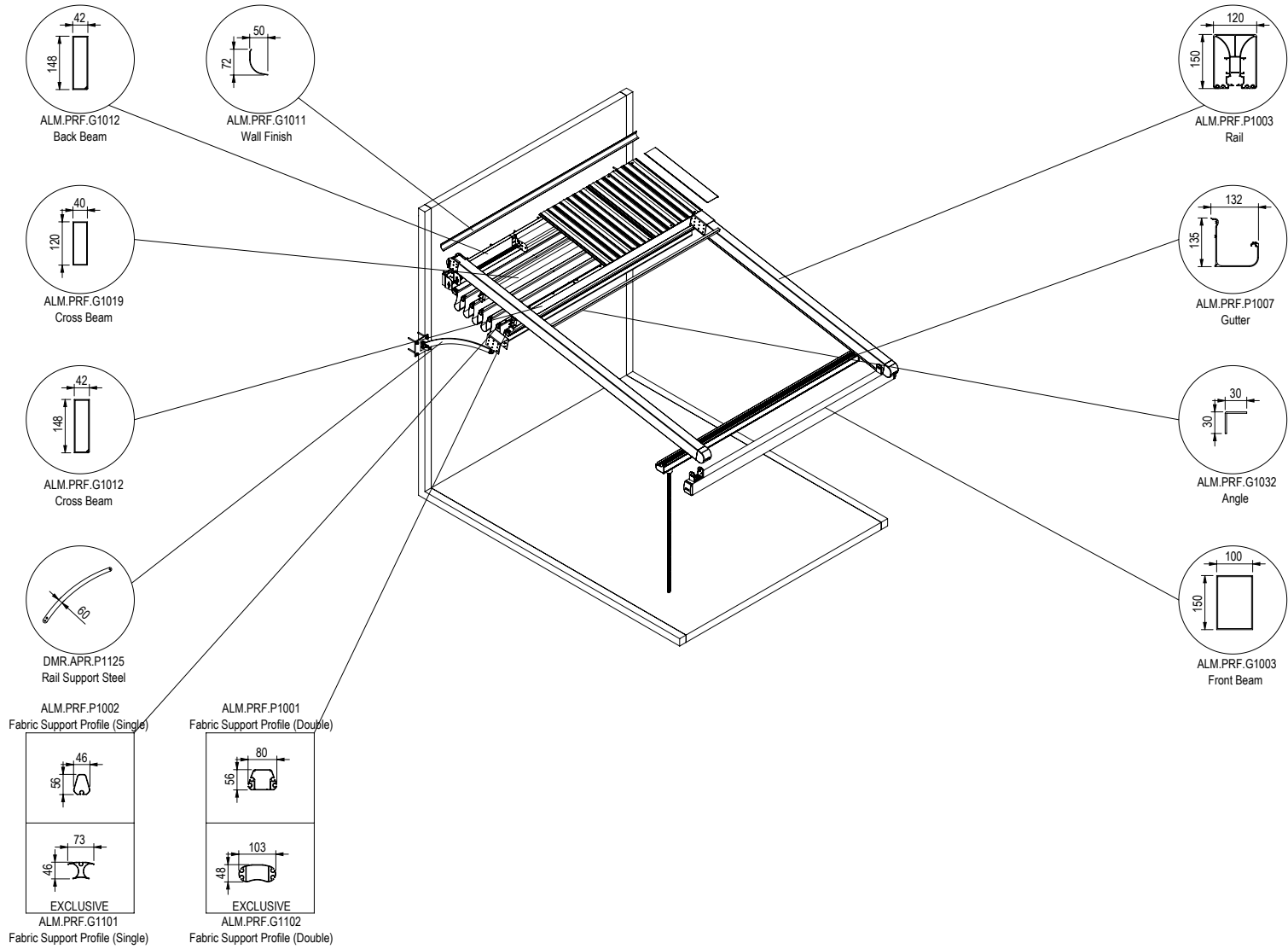
Hanging

Wall / Ceiling with Buttruss



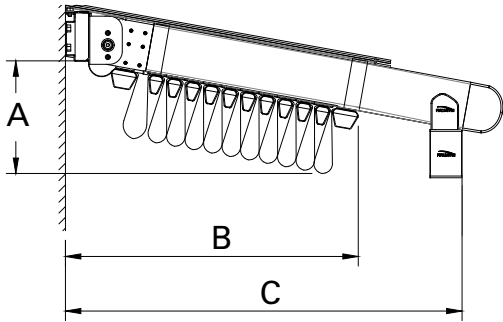
MAXIMUM DIMENSIONS

	WIDTH	PROJECTION
2 RAILS	450 cm	400 cm



TECHNICAL FEATURES

COLLECTED FABRIC DIMENSIONS



No of Fabric Support Profiles	Projection cm				
	185	235	284	334	383
4	26				36
5		27			42
6			27		48
7				28	54
8					29

← A → B

*Calculated according to a slope of 15%

DRAINAGE CALCULATION

Type	Max. m ²
Full	39 m ² /pc

* per drainage

There should be at least one drainage, each 8 m length gutter.

MINIMUM SLOPE CHART

Slope	6,4-7,9%	7,4-8,8%	8,4-9,7%	9,4-10,8%	10,4-12%	11,2-12,7%	12-13,4%	13-14,5%	14-15,7%	15-16,6%	16-17,6%
Rail Center											
	200	225	250	275	300	325	350	375	400	425	450
250	16	19	21	24	26	28	30	33	35	38	40
300	20	23	26	29	31	34	37	40	42	45	48
350	23	27	30	34	37	40	43	46	49	53	56
400	27	31	35	39	42	46	49	53	57	61	64

*Note: Max. slope can be up to 25%

WIND RESISTANCE

PROJECTION	WIDTH				
	250	300	350	400	450
200	11	11	11	11	11
250	11	11	11	11	11
300	11	11	11	11	11
350	11	11	10	10	10
400	10	10	10	9	9

All sides open

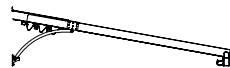
*The values are given according to the Beaufort scale.

**Calculated for Products with a front height of 250 cm according to Eurocode EN 1991-1-4 Terrain Category 4.

*** You can ask for new calculations for special designs.

SILVER

Hanging Wall / Ceiling with Buttress



Projection	Width				
	2 RAILS				
	250 cm	300 cm	350 cm	400 cm	450 cm
200 cm	€ 6.975	€ 7.317	€ 7.795	€ 8.283	€ 8.623
250 cm	€ 7.281	€ 7.803	€ 8.271	€ 8.623	€ 8.973
300 cm	€ 7.817	€ 8.401	€ 8.927	€ 9.341	€ 9.753
350 cm	€ 8.305	€ 8.727	€ 9.265	€ 9.860	€ 10.284
400 cm	€ 8.621	€ 9.056	€ 9.604	€ 10.214	€ 10.647
FS3	€ 219	€ 230	€ 251	€ 276	€ 298
FS5-A	€ 40	€ 51	€ 60	€ 68	€ 79
FS5-E	€ 56	€ 70	€ 82	€ 94	€ 109

FS3	Gutter System
FS5-A	Additional Fabric Support Profile (Standard)
FS5-E	Additional Fabric Support Profile (3 Axis)
FS8	Lighting System

		LED TYPE & MODULE		
FS8		2 LED	3 LED	4 LED
FS8-S	SPOT	€ 151	€ 183	€ 216
FS8-L	LINEAR	€ 216	€ 280	
FS8-E	3 AXIS ⁷	€ 248	€ 323	
FS8-L (RGB)	LINEAR (RGB)	€ 274	€ 356	
FS8-E (RGB)	3 AXIS (RGB) ⁷	€ 315	€ 409	

Notes:

1. Any Side Beam is not included in the price.
2. Modules can not be combined.
3. FS Flexy Plain/3D or Stam 6002 is included in the price.
4. Motor and Remote control is included in the price.
5. Palmiye Aluminium Coating Catalogue includes the standard colours with no extra cost. For any other type/brand/color of paint, price difference and additional delivery duration shall be checked from your customer representative.
6. Standard fabric support profile plastic colours are specified in Palmiye Aluminium Coating Catalogue.
7. 3 AXIS lights available only at exclusive fabric option.

OPTIONS

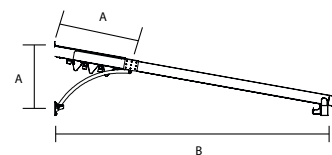
FS11	Deco ceiling cover	€ 66	m ²
FS19	Fix louver	€ 68	lm
FS24	W96 Ceiling Cover	€ 76	m ²
FS26	Exclusive fabric difference (up to 800cm width)	€ 45	m ²
FS27	3 Axis lighting fabric support profile difference	€ 13	m ²
FS28-1	Stainless steel chain - 100 cm	€ 72	1m
FS28-2	Stainless steel chain - 200 cm	€ 140	2m
FS28-3	Stainless steel chain - 300 cm	€ 204	3m
FS28-4	Stainless steel chain - 400 cm	€ 272	4m
FS29-1	Sun Sensor (SUNIS) (for single motor)	€ 567	pcs
FS29-2	Wind Sensor (EOLIS RTS) (for single motor)	€ 267	pcs
FS29-3	Sun and Wind Sensor (SOLIRIS RTS) (for single motor)	€ 302	pcs
FS29-42	Rain Sensor (ONDEIS) (for single motor)	€ 524	pcs
FS30	CONNEXOON	€ 479	pcs

EXTENSIONS

Rail	- 120x150mm	€ 308	lm
Beam	Al. 42x150mm	€ 96	lm
Beam	Al. 50x150mm	€ 169	lm
Beam	Al. 100x150mm	€ 141	lm
Beam	St. 100x150x3mm	€ 292	lm
Beam	St. 100x150x5mm	€ 354	lm
Beam	St. 100x200x3mm	€ 296	lm
Beam	St. 100x200x5mm	€ 421	lm
Fabric protection cover	Al. - 63x__cm	€ 55	m ²
Gutter	Special Profile	€ 41	lm

PRICE DIFFERENCE

		BEAM GROUP	
Standard	Al. 42x150mm		
Back Beam to	Al. 50x150mm	€ 74	lm
	St. 50x150x3mm	€ 95	lm
	St. 50x150x5mm	€ 176	lm
	Al. 100x150mm	€ 44	lm
	St. 100x150x3mm	€ 192	lm
	St. 100x150x5mm	€ 260	lm
	St. 100x200x3mm	€ 196	lm
	St. 100x200x5mm	€ 328	lm



STANDARD "A" VALUES

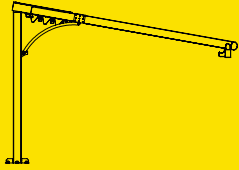
B (cm)	250	300	350	400
A (cm)	70	80	90	100

Notes:

1. Fabric support profiles can be painted in the same color as the general construction. No fee is paid for this process. However, the plastic color should be specified from our standard plastic colours in Palmiye Color Chart.
2. For one product, a dry contact transmitter costing 337€, must be added.
3. Up to 5 products, a RS485 Automation interface dry contact transmitter costing 1027€, must be added.
4. Exclusive fabric option can only be selected together with 3 axis fabric support profile. Price difference for 3 axis fabric profile should be added.

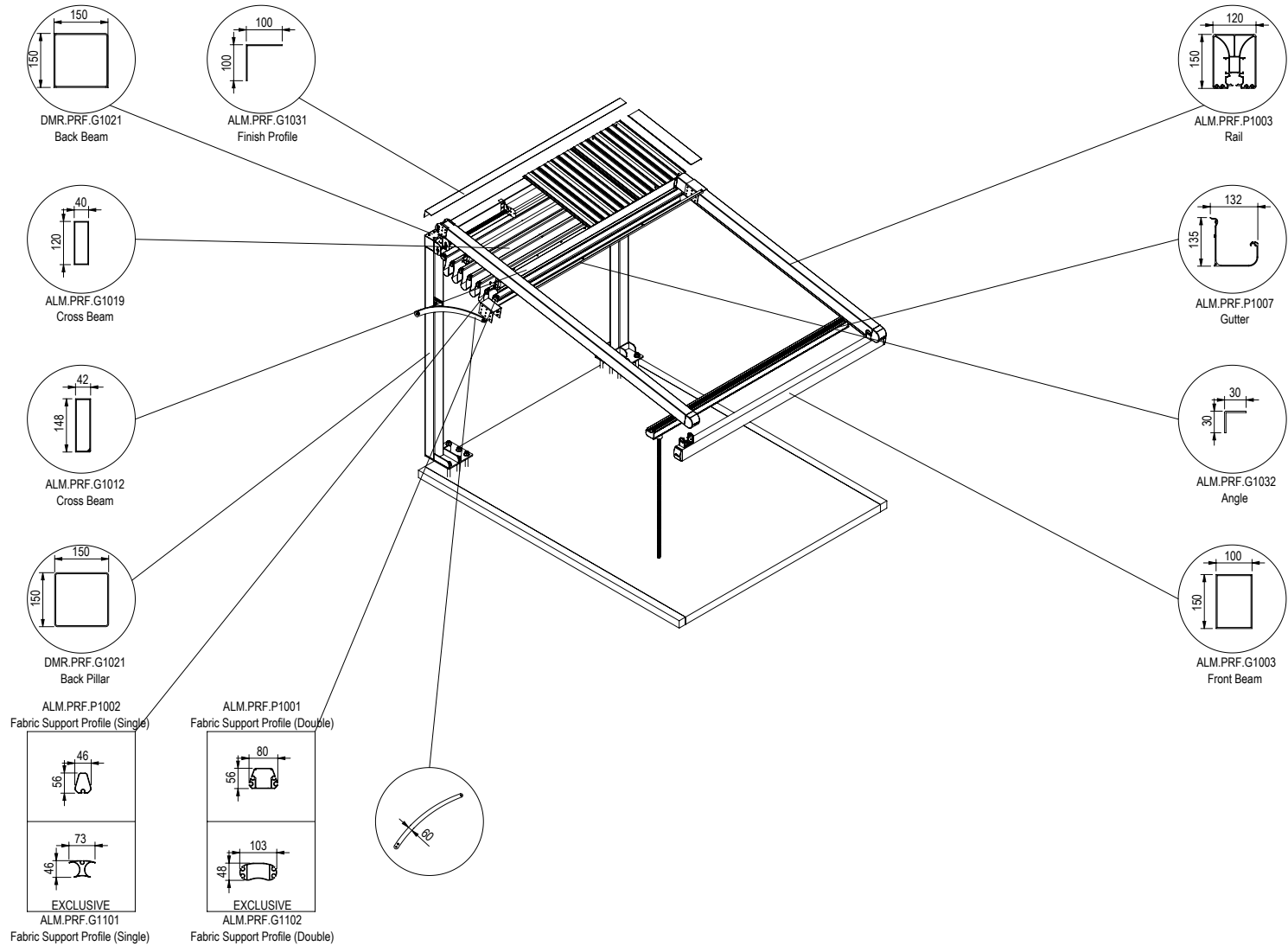
SILVER

Hanging Freestanding with Buttress



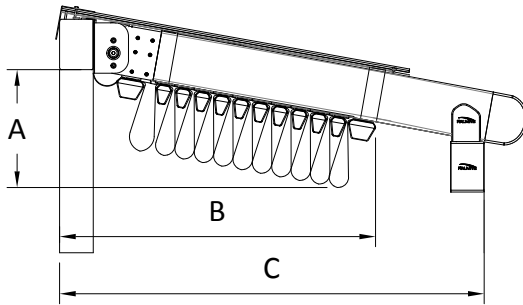
MAXIMUM DIMENSIONS

	WIDTH	PROJECTION
2 RAILS	450 cm	400 cm



TECHNICAL FEATURES

COLLECTED FABRIC DIMENSIONS



No of Fabric Support Profiles	Projection cm				
	185	235	284	334	383
4	35				66
5		36			73
6			37		79
7				38	86
8					92

*Calculated according to a slope of 15%

DRAINAGE CALCULATION

Type	Max. m ²
Full	39 m ² /pc

* per drainage

There should be at least one drainage, each 8 m length gutter.

MINIMUM SLOPE CHART

Projection	Slope										
	6,4-7,9%	7,4-8,8%	8,4-9,7%	9,4-10,8%	10,4-12%	11,2-12,7%	12-13,4%	13-14,5%	14-15,7%	15-16,6%	16-17,6%
	Rail Center										
	200	225	250	275	300	325	350	375	400	425	450
250	16	19	21	24	26	28	30	33	35	38	40
300	20	23	26	29	31	34	37	40	42	45	48
350	23	27	30	34	37	40	43	46	49	53	56
400	27	31	35	39	42	46	49	53	57	61	64

*Note: Max. slope can be up to 25%

WIND RESISTANCE

PROJECTION	WIDTH				
	250	300	350	400	450
200	11	11	11	11	11
250	11	11	11	11	11
300	11	11	11	11	11
350	11	11	10	10	10
400	10	10	10	9	9

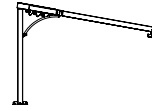
All sides open

*The values are given according to the Beaufort scale.

**Calculated for Products with a front height of 250 cm according to Eurocode EN 1991-1-4 Terrain Category 4.

*** You can ask for new calculations for special designs.

SILVER Hanging Freestanding with Buttress



Projection	Width				
	2 RAILS				
	250 cm	300 cm	350 cm	400 cm	450 cm
200 cm	€ 8.108	€ 8.442	€ 8.909	€ 9.386	€ 9.718
250 cm	€ 8.406	€ 8.917	€ 9.374	€ 9.718	€ 10.060
300 cm	€ 8.930	€ 9.501	€ 10.015	€ 10.421	€ 10.823
350 cm	€ 9.408	€ 9.820	€ 10.346	€ 10.928	€ 11.342
400 cm	€ 9.716	€ 10.142	€ 10.678	€ 11.273	€ 11.697

FS3	€ 219	€ 230	€ 251	€ 276	€ 298
FS5-A	€ 40	€ 51	€ 60	€ 68	€ 79
FS5-E	€ 56	€ 70	€ 82	€ 94	€ 109

FS3	Gutter System
FS5-A	Additional Fabric Support Profile (Standard)
FS5-E	Additional Fabric Support Profile (3 Axis)
FS8	Lighting System

FS8		LED TYPE & MODULE		
		2 LED	3 LED	4 LED
FS8-S	SPOT	€ 151	€ 183	€ 216
FS8-L	LINEAR	€ 216	€ 280	
FS8-E	3 AXIS ⁸	€ 248	€ 323	
FS8-LR	LINEAR (RGB)	€ 274	€ 356	
FS8-ER	3 AXIS (RGB) ⁸	€ 315	€ 409	

Notes:

1. Any Side Beam is not included in the price.
2. Modules can not be combined.
3. FS Flexy Plain/3D or Stam 6002 is included in the price.
4. Motor and Remote control is included in the price.
5. Palmiye Aluminium Coating Catalogue includes the standard colours with no extra cost. For any other type/brand/color of paint, price difference and additional delivery duration shall be checked from your customer representative.
6. Standard fabric support profile plastic colours are specified in Palmiye Aluminium Coating Catalogue.
7. In pergolas including steel front pillars, if gutter option is preferred, external water drainage points will be specified according to the Project and will be priced additionally.
8. 3 AXIS lights available only at exclusive fabric option.

DEDUCTIONS

Price deduction is applicable only for back pillars and back beam. Deduction amount shall be consider as 70% of related option price.

OPTIONS

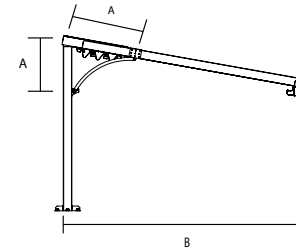
FS10-150ST3	Extra pillar (150x150x3mm St.)	€ 894	pcs
FS10-150ST5	Extra pillar (150x150x5mm St.)	€ 1.250	pcs
FS11	Deco ceiling cover	€ 66	m ²
FS15	Side beam pillar (50x100mm - Al)	€ 259	pcs
FS15-B	Side beam pillar (100x100mm - Al)	€ 500	pcs
FS19	Fix louver	€ 68	lm
FS24	W96 Ceiling Cover	€ 76	m ²
FS26	Exclusive fabric difference (up to 800cm width)	€ 45	m ²
FS27	3 Axis lighting fabric support profile difference	€ 13	m ²
FS28-1	Stainless steel chain - 100 cm	€ 72	1m
FS28-2	Stainless steel chain - 200 cm	€ 140	2m
FS28-3	Stainless steel chain - 300 cm	€ 204	3m
FS28-4	Stainless steel chain - 400 cm	€ 272	4m
FS29-1	Sun Sensor (SUNIS) (for single motor)	€ 567	pcs
FS29-2	Wind Sensor (EOLIS RTS) (for single motor)	€ 267	pcs
FS29-3	Sun and Wind Sensor (SOLIRIS RTS) (for single motor)	€ 302	pcs
FS29-42	Rain Sensor (ONDEIS) (for single motor)	€ 524	pcs
FS30	CONNEXOON	€ 479	pcs

Notes:

1. Fabric support profiles can be painted in the same color as the general construction. No fee is paid for this process. However, the plastic color should be specified from our standard plastic colours in Palmiye Color Chart.
2. For one product, a dry contact transmitter costing 337€, must be added.
3. Up to 5 products, a RS485 Automation interface dry contact transmitter costing 1027€, must be added.
4. Exclusive fabric option can only be selected together with 3 axis fabric support profile. Price difference for 3 axis fabric profile should be added.

EXTENSIONS

Rail	- 120x150mm	€ 308	lm
Beam	Al. 42x150mm	€ 96	lm
Beam	Al. 50x150mm	€ 169	lm
Beam	Al. 100x150mm	€ 141	lm
Beam	St. 100x150x3mm	€ 292	lm
Beam	St. 100x150x5mm	€ 354	lm
Beam	St. 100x200x3mm	€ 296	lm
Beam	St. 100x200x5mm	€ 421	lm
Fabric protection cover	Al. - 63x___cm	€ 55	m ²
Gutter	Special Profile	€ 41	lm



- Max. pillar length: 480 cm

STANDARD "A" VALUES

B (cm)	250	300	350	400
A (cm)	70	80	90	100

- This model includes 3m steel back beam and pillars.
- The front beam can not be produced in steel.
- Ground flanges are 380x380x15 mm.

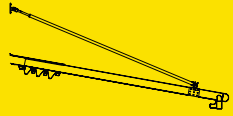
PRICE DIFFERENCE

Pillar	PILLAR GROUP		
	Standard	St. 150x150x3mm	
to	St. 150x150x5mm	€ 488	pcs

SILVER

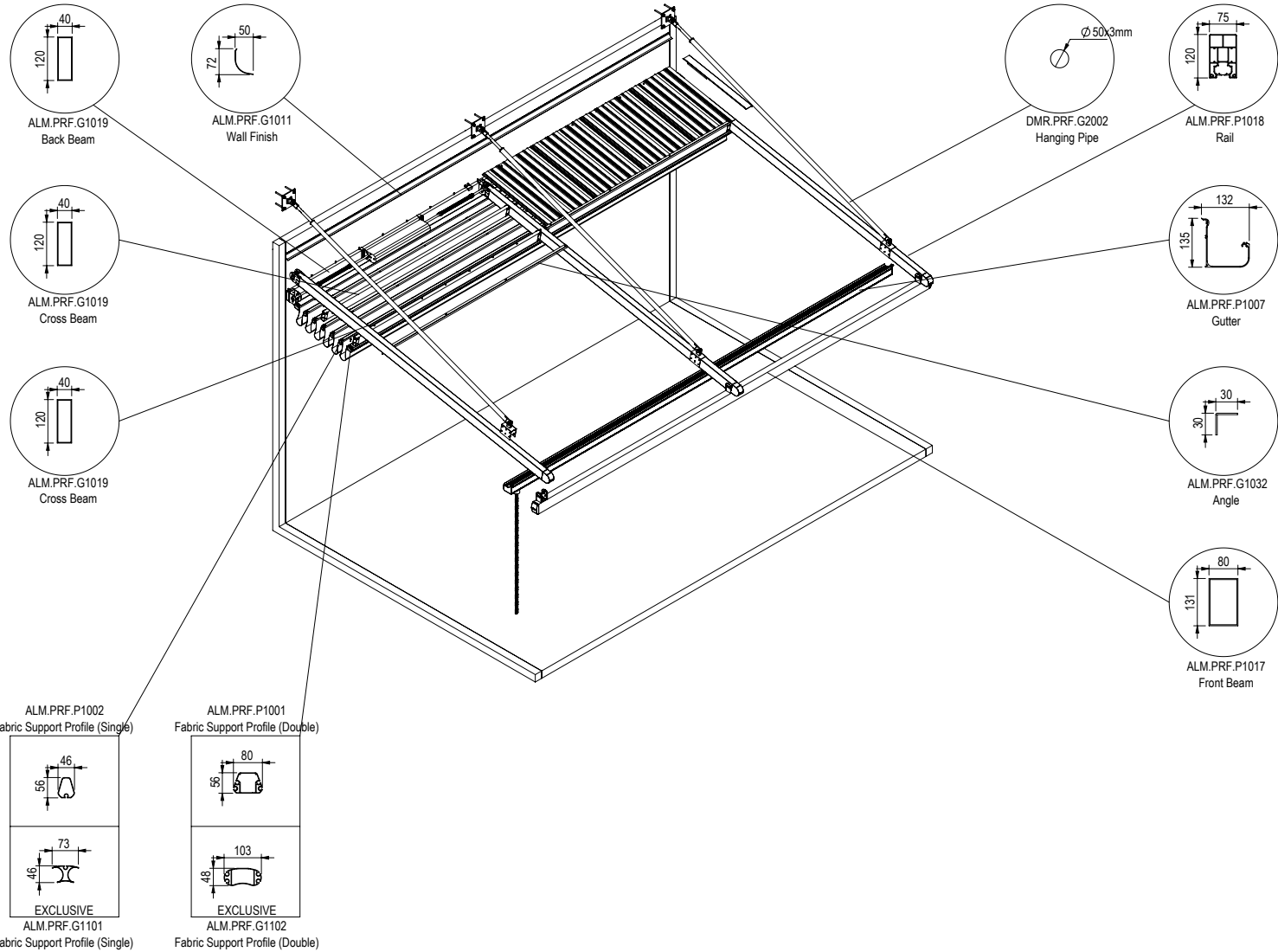
Compact

Hanging Wall / Ceiling



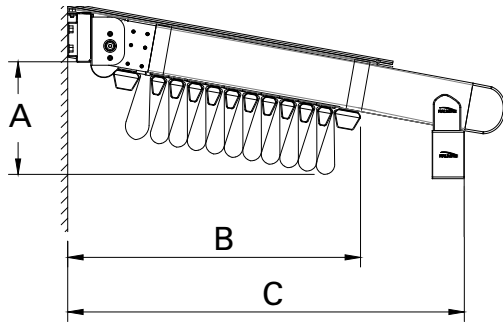
MAXIMUM DIMENSIONS

	WIDTH	PROJECTION
2 RAILS	450 cm	600 cm
3 RAILS	900 cm	600 cm
4 RAILS	1300 cm	600 cm



TECHNICAL FEATURES

COLLECTED FABRIC DIMENSIONS



TILTED VERSION Projection cm

No of Fabric Support Profiles	185	235	284	334	383	433	482	532	581	C
4	34									61
5		35								68
6			36							74
7				37						81
8					38					87
9						39				94
10							40			100
11								41		107
13									43	120

*Calculated according to a slope of 15%

DRAINAGE CALCULATION

Type	Max. m ²
Compact	30 m ² /pc

* per drainage

There should be at least one drainage, each 8 m length gutter.

MINIMUM SLOPE CHART

Projection	Slope										
	6,4-7,9%	7,4-8,8%	8,4-9,7%	9,4-10,8%	10,4-12%	11,2-12,7%	12-13,4%	13-14,5%	14-15,7%	15-16,6%	16-17,6%
	Rail Center										
	200	225	250	275	300	325	350	375	400	425	450
250	11	14	16	19	21	23	25	28	30	33	35
300	15	18	21	24	26	29	32	35	37	40	43
350	18	22	25	29	32	35	38	41	44	48	51
400	22	26	30	34	37	41	44	48	52	56	59
450	27	31	35	39	43	47	51	55	59	64	68
500	31	36	40	45	49	54	58	63	67	72	76
550	35	40	45	50	55	60	65	70	75	80	85
600	39	45	50	56	61	67	72	78	83	89	94

*Note: Max. slope can be up to 25%

For back height of system 25 cm should be added to slope value.

WIND RESISTANCE

PROJECTION (cm)	WIDTH (cm)																	
	450	500	550	600	650	700	750	800	850	900	950	1000	1050	1100	1150	1200	1250	1300
400	10	10	10	9	9	9	8	8	8	7	9	9	9	8	8	8	8	7
450	10	9	8	8	8	8	7	7	7	7	8	8	8	7	7	7	7	7
500	9	8	7	7	7	7	6	6	6	6	7	7	7	6	6	6	6	6
550	8	7	7	7	7	6	6	6	6	6	7	6	6	6	6	6	6	6
600	7	6	6	6	6	5	5	5	5	5	6	5	5	5	5	5	5	5

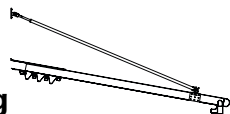
All sides open

*The values are given according to the Beaufort scale.

**Calculated for Products with a front height of 250 cm according to Eurocode EN 1991-1-4 Terrain Category 4.

*** You can ask for new calculations for special designs.

SILVER Compact Hanging Wall / Ceiling



Projection	Width																				FS4	FS9-C		
	2 RAILS					3 RAILS										4 RAILS								
	250 cm	300 cm	350 cm	400 cm	450 cm	500 cm	550 cm	600 cm	650 cm	700 cm	750 cm	800 cm	850 cm	900 cm	950 cm	1000 cm	1050 cm	1100 cm	1150 cm	1200 cm	1250 cm	1300 cm		
200 cm	€ 5.652	€ 5.927	€ 6.311	€ 6.706	€ 6.979	€ 8.196	€ 8.462	€ 8.728	€ 9.235	€ 9.459	€ 9.643	€ 9.906	€ 10.171	€ 10.434	€ 11.772	€ 12.032	€ 12.293	€ 12.556	€ 12.817	€ 13.018	€ 13.368	€ 13.775	€ 892	€ 183
250 cm	€ 5.893	€ 6.315	€ 6.690	€ 6.974	€ 7.254	€ 8.587	€ 9.010	€ 9.283	€ 9.655	€ 9.888	€ 10.081	€ 10.497	€ 10.917	€ 11.042	€ 12.334	€ 12.604	€ 13.020	€ 13.288	€ 13.558	€ 13.768	€ 14.130	€ 14.543	€ 985	€ 219
300 cm	€ 6.321	€ 6.791	€ 7.214	€ 7.547	€ 7.877	€ 9.381	€ 9.852	€ 10.176	€ 10.599	€ 10.876	€ 11.120	€ 11.586	€ 12.056	€ 12.233	€ 13.660	€ 13.981	€ 14.447	€ 14.765	€ 15.086	€ 15.337	€ 15.745	€ 16.207	€ 1.078	€ 258
350 cm	€ 6.709	€ 7.047	€ 7.479	€ 7.959	€ 8.297	€ 9.927	€ 10.263	€ 10.741	€ 11.175	€ 11.456	€ 11.711	€ 12.189	€ 12.672	€ 12.851	€ 14.524	€ 14.854	€ 15.185	€ 15.511	€ 15.984	€ 16.241	€ 16.660	€ 16.987	€ 1.171	€ 295
400 cm	€ 6.958	€ 7.306	€ 7.747	€ 8.235	€ 8.582	€ 10.326	€ 10.673	€ 11.159	€ 11.600	€ 11.892	€ 12.156	€ 12.639	€ 13.129	€ 13.324	€ 15.099	€ 15.439	€ 15.779	€ 16.113	€ 16.597	€ 16.859	€ 17.288	€ 17.624	€ 1.262	€ 334
450 cm	€ 7.214	€ 7.571	€ 8.020	€ 8.517	€ 8.874	€ 10.739	€ 11.095	€ 11.591	€ 12.040	€ 12.339	€ 12.614	€ 13.106	€ 13.604	€ 13.807	€ 15.690	€ 16.037	€ 16.383	€ 16.730	€ 17.221	€ 17.491	€ 17.928	€ 18.273	€ 1.355	€ 370
500 cm	€ 7.464	€ 7.829	€ 8.288	€ 8.793	€ 9.159	€ 11.142	€ 11.504	€ 12.011	€ 12.472	€ 12.774	€ 13.058	€ 13.561	€ 14.070	€ 14.280	€ 16.265	€ 16.622	€ 16.979	€ 17.332	€ 17.833	€ 18.109	€ 18.556	€ 18.910	€ 1.449	€ 409
550 cm	€ 7.713	€ 8.087	€ 8.556	€ 9.070	€ 9.444	€ 11.545	€ 11.914	€ 12.431	€ 12.904	€ 13.210	€ 13.502	€ 14.017	€ 14.536	€ 14.753	€ 16.841	€ 17.208	€ 17.575	€ 17.935	€ 18.444	€ 18.727	€ 19.185	€ 19.546	€ 1.542	€ 446
600 cm	€ 7.962	€ 8.344	€ 8.824	€ 9.346	€ 9.729	€ 11.948	€ 12.324	€ 12.851	€ 13.336	€ 13.645	€ 13.945	€ 14.473	€ 15.002	€ 15.226	€ 17.416	€ 17.793	€ 18.171	€ 18.538	€ 19.055	€ 19.345	€ 19.813	€ 20.183	€ 1.635	€ 485
FS3	€ 219	€ 230	€ 251	€ 276	€ 298	€ 321	€ 344	€ 367	€ 390	€ 413	€ 530	€ 553	€ 576	€ 599	€ 623	€ 646	€ 669	€ 692	€ 715	€ 737	€ 760	€ 783		
FS5-A	€ 40	€ 51	€ 60	€ 68	€ 79	€ 88	€ 98	€ 107	€ 118	€ 126	€ 137	€ 146	€ 156	€ 165	€ 176	€ 184	€ 195	€ 204	€ 214	€ 223	€ 234	€ 242		
FS5-E	€ 56	€ 70	€ 82	€ 94	€ 109	€ 121	€ 135	€ 147	€ 162	€ 174	€ 189	€ 201	€ 215	€ 227	€ 242	€ 254	€ 268	€ 280	€ 295	€ 307	€ 322	€ 334		

FS3	Gutter System
FS5-A	Additional Fabric Support Profile (Standard)
FS5-E	Additional Fabric Support Profile (3 Axis)
FS4	Additional Rail for Compact Series- Al.- 75x120mm
FS8	Lighting System
FS9-C	Side Beam for Compact Series- Al.- 80x130mm

FS8	
FS8-S	SPOT
FS8-L	LINEAR
FS8-E	3 AXIS ⁶
FS8-LR	LINEAR (RGB)
FS8-ER	3 AXIS (RGB) ⁶

LED TYPE & MODULE		
2 LED	3 LED	4 LED
€ 151	€ 183	€ 216
€ 216	€ 280	
€ 248	€ 323	
€ 274	€ 356	
€ 315	€ 409	

Notes:

1. Any Side Beam is not included in the price.
2. FS Flexy Plain/3D or Stam 6002 is included in the price.
3. Motor and Remote control is included in the price.
4. Palmiye Aluminium Coating Catalogue includes the standard colours with no extra cost. For any other type/brand/color of paint, price difference and additional delivery duration **shall be checked from your customer representative.**
5. Standard fabric support profile plastic colours are specified in Palmiye Aluminium Coating Catalogue.
6. 3 AXIS lights available only at exclusive fabric option.

OPTIONS

FS11	Deco ceiling cover	€ 66	m ²
FS15-C	Side beam pillar (80x80mm - Al)	€ 368	pcs
FS19	Fix louver	€ 68	lm
FS24	W96 Ceiling Cover	€ 76	m ²
FS26	Exclusive fabric difference (up to 800cm width)	€ 45	m ²
FS27	3 Axis lighting fabric support profile difference	€ 13	m ²
FS28-1	Stainless steel chain - 100 cm	€ 72	1m
FS28-2	Stainless steel chain - 200 cm	€ 140	2m
FS28-3	Stainless steel chain - 300 cm	€ 204	3m
FS28-4	Stainless steel chain - 400 cm	€ 272	4m
FS29-1	Sun Sensor (SUNIS) (for single motor)	€ 567	pcs
FS29-1S	Sun Sensor (SUNIS) (for synchronized motor)	€ 903	pcs
FS29-2	Wind Sensor (EOLIS RTS) (for single motor)	€ 267	pcs
FS29-2S	Wind Sensor (EOLIS RTS) (for synchronized motor)	€ 600	pcs
FS29-3	Sun and Wind Sensor (SOLIRIS RTS) (for single motor)	€ 302	pcs
FS29-3S	Sun and Wind Sensor (SOLIRIS RTS) (for synchronized motor)	€ 635	pcs
FS29-4 ^{2/3}	Rain Sensor (ONDEIS) (for single motor)	€ 524	pcs
FS29-4S ^{2/3}	Rain Sensor (ONDEIS) (for synchronized motor)	€ 856	pcs
FS30	CONNEXOON	€ 479	pcs

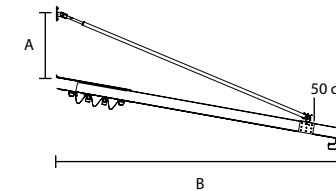
EXTENSIONS

Rail	Compact - 75x120mm	€ 188	lm
Beam	Al. 40x120mm	€ 61	lm
Beam	Al. 42x150mm	€ 96	lm
Beam	Al. 50x150mm	€ 169	lm
Beam	Al. 80x130mm	€ 90	lm
Beam	Al. 100x150mm	€ 141	lm
Beam	St. 100x150x3mm	€ 292	lm
Beam	St. 100x150x5mm	€ 354	lm
Beam	St. 100x200x3mm	€ 296	lm
Beam	St. 100x200x5mm	€ 421	lm
Fabric protection cover	Al. - 63x___cm	€ 55	m ²
Gutter	Special Profile	€ 41	lm

*Max. St 3mm. Pillar (St. 100x100x3mm) height is 380cm
 *Max. St. 5mm Pillar (St. 100x100x5mm) height is 480cm

PRICE DIFFERENCE

BEAM GROUP			
	Standard	Al. 40x120mm	
Back Beam to		Al. 42x150mm	€ 36 lm
		Al. 50x150mm	€ 111 lm
		Al. 80x130mm	€ 29 lm
		St. 50x150x3mm	€ 142 lm
		St. 50x150x5mm	€ 223 lm
		Al. 100x150mm	€ 81 lm
		St. 100x150x3mm	€ 239 lm
		St. 100x150x5mm	€ 307 lm
		St. 100x200x3mm	€ 243 lm
		St. 100x200x5mm	€ 374 lm



MINIMUM "A" VALUES

B (cm)	250	300	350	400	450	500	550	600
A (cm)	50	50	50	60	70	80	90	100

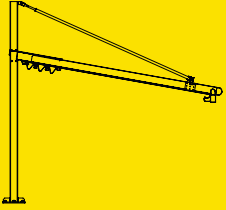
Upper values will be evaluated on a project basis.

Notes:

1. Fabric support profiles can be painted in the same color as the general construction. No fee is paid for this process. However, the plastic color should be specified from our standard plastic colours in Palmiye Color Chart.
2. For one product, a dry contact transmitter costing 337€, must be added.
3. Up to 5 products, a RS485 Automation interface dry contact transmitter costing 1027€, must be added.
4. Exclusive fabric option can only be selected together with 3 axis fabric support profile. Price difference for 3 axis fabric profile should be added.

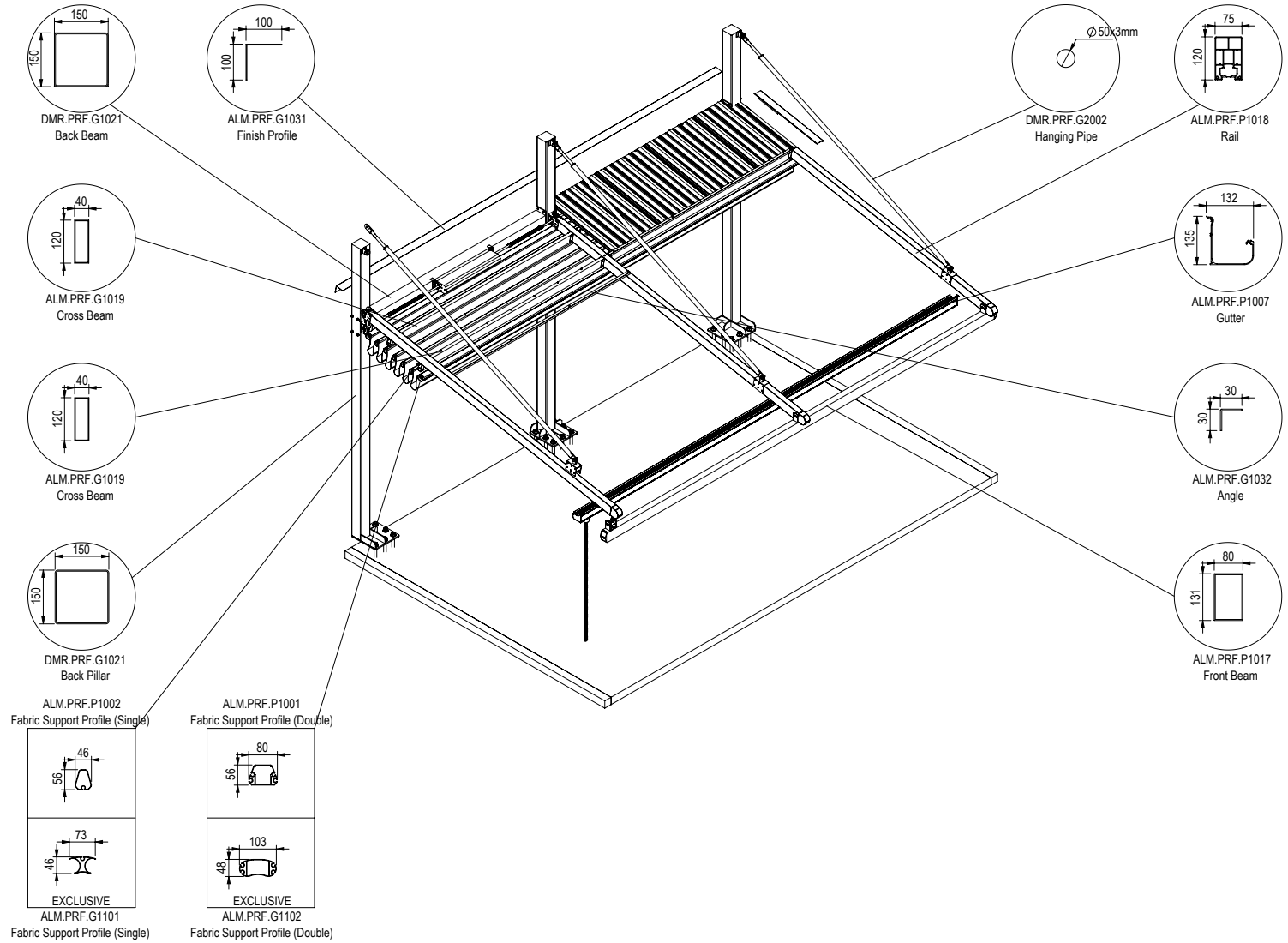
SILVER Compact

Hanging Freestanding



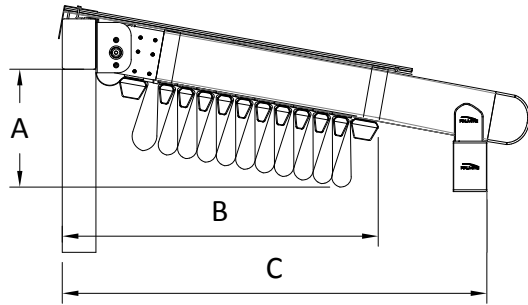
MAXIMUM DIMENSIONS

	WIDTH	PROJECTION
2 RAILS	450 cm	600 cm
3 RAILS	900 cm	600 cm
4 RAILS	1300 cm	600 cm



TECHNICAL FEATURES

COLLECTED FABRIC DIMENSIONS



No of Fabric Support Profiles	TILTED VERSION										C
	Projection cm										
	185	235	284	334	383	433	482	532	581		
4	34										61
5		35									68
6			36								74
7				37							81
8					38						87
9						39					94
10							40				100
11								41			107
13										43	120

*Calculated according to a slope of 15%

DRAINAGE CALCULATION

Type	Max. m ²
Compact	30 m ² /pc

* per drainage

There should be at least one drainage, each 8 m length gutter.

MINIMUM SLOPE CHART

Projection	Slope										
	6,4-7,9%	7,4-8,8%	8,4-9,7%	9,4-10,8%	10,4-12%	11,2-12,7%	12-13,4%	13-14,5%	14-15,7%	15-16,6%	16-17,6%
	Rail Center										
	200	225	250	275	300	325	350	375	400	425	450
250	16	19	21	24	26	28	30	33	35	38	40
300	20	23	26	29	31	34	37	40	42	45	48
350	23	27	30	34	37	40	43	46	49	53	56
400	27	31	35	39	42	46	49	53	57	61	64
450	32	36	40	44	48	52	56	60	64	69	73
500	36	41	45	50	54	59	63	68	72	77	81
550	40	45	50	55	60	65	70	75	80	85	90
600	44	50	55	61	66	72	77	83	88	94	99

For back height of system 25 cm should be added to slope value.

*Note: Max. slope can be up to 25%

WIND RESISTANCE

PROJECTION (cm)	WIDTH (cm)																	
	450	500	550	600	650	700	750	800	850	900	950	1000	1050	1100	1150	1200	1250	1300
400	10	10	10	9	9	9	9	8	8	8	9	9	9	9	8	8	8	8
450	9	9	9	8	8	8	8	7	7	7	8	8	8	8	7	7	7	7
500	8	8	8	8	8	7	7	7	7	6	8	7	7	7	7	7	7	6
550	8	8	7	7	7	7	6	6	6	6	7	7	7	6	6	6	6	6
600	7	7	7	6	6	6	6	6	5	5	6	6	6	6	6	6	5	5

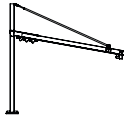
All sides open

*The values are given according to the Beaufort scale.

**Calculated for Products with a front height of 250 cm according to Eurocode EN 1991-1-4 Terrain Category 4.

*** You can ask for new calculations for special designs.

SILVER Compact Hanging Freestanding



Projection	Width																				FS4	FS9-C		
	2 RAILS					3 RAILS									4 RAILS									
	250 cm	300 cm	350 cm	400 cm	450 cm	500 cm	550 cm	600 cm	650 cm	700 cm	750 cm	800 cm	850 cm	900 cm	950 cm	1000 cm	1050 cm	1100 cm	1150 cm	1200 cm	1250 cm	1300 cm		
200 cm	€ 6.971	€ 7.246	€ 7.630	€ 8.025	€ 8.298	€ 10.174	€ 10.441	€ 10.707	€ 11.214	€ 11.438	€ 11.622	€ 11.885	€ 12.149	€ 12.412	€ 14.410	€ 14.670	€ 14.931	€ 15.194	€ 15.455	€ 15.656	€ 16.006	€ 16.413	€ 892	€ 183
250 cm	€ 7.212	€ 7.634	€ 8.009	€ 8.293	€ 8.573	€ 10.565	€ 10.989	€ 11.262	€ 11.634	€ 11.866	€ 12.059	€ 12.476	€ 12.895	€ 13.020	€ 14.972	€ 15.242	€ 15.658	€ 15.926	€ 16.196	€ 16.406	€ 16.768	€ 17.181	€ 985	€ 219
300 cm	€ 7.640	€ 8.110	€ 8.533	€ 8.866	€ 9.196	€ 11.359	€ 11.830	€ 12.155	€ 12.578	€ 12.855	€ 13.099	€ 13.565	€ 14.034	€ 14.212	€ 16.298	€ 16.619	€ 17.085	€ 17.403	€ 17.724	€ 17.975	€ 18.383	€ 18.845	€ 1.078	€ 258
350 cm	€ 8.028	€ 8.366	€ 8.798	€ 9.278	€ 9.616	€ 11.905	€ 12.242	€ 12.720	€ 13.153	€ 13.435	€ 13.689	€ 14.167	€ 14.650	€ 14.830	€ 17.162	€ 17.492	€ 17.823	€ 18.149	€ 18.622	€ 18.879	€ 19.298	€ 19.625	€ 1.171	€ 295
400 cm	€ 8.277	€ 8.625	€ 9.066	€ 9.554	€ 9.901	€ 12.305	€ 12.651	€ 13.138	€ 13.578	€ 13.870	€ 14.135	€ 14.618	€ 15.108	€ 15.303	€ 17.737	€ 18.077	€ 18.417	€ 18.751	€ 19.235	€ 19.497	€ 19.926	€ 20.262	€ 1.262	€ 334
450 cm	€ 8.661	€ 9.043	€ 9.518	€ 10.040	€ 10.422	€ 12.973	€ 13.354	€ 13.876	€ 14.350	€ 14.674	€ 14.975	€ 15.492	€ 16.016	€ 16.245	€ 18.813	€ 19.185	€ 19.557	€ 19.929	€ 20.446	€ 20.741	€ 21.204	€ 21.574	€ 1.355	€ 370
500 cm	€ 8.910	€ 9.301	€ 9.786	€ 10.316	€ 10.707	€ 13.376	€ 13.763	€ 14.296	€ 14.782	€ 15.110	€ 15.419	€ 15.948	€ 16.482	€ 16.717	€ 19.388	€ 19.770	€ 20.152	€ 20.531	€ 21.057	€ 21.359	€ 21.832	€ 22.211	€ 1.449	€ 409
550 cm	€ 9.159	€ 9.559	€ 10.054	€ 10.593	€ 10.992	€ 13.779	€ 14.173	€ 14.716	€ 15.214	€ 15.545	€ 15.863	€ 16.404	€ 16.948	€ 17.190	€ 19.963	€ 20.356	€ 20.748	€ 21.134	€ 21.668	€ 21.977	€ 22.460	€ 22.847	€ 1.542	€ 446
600 cm	€ 9.408	€ 9.816	€ 10.322	€ 10.869	€ 11.277	€ 14.182	€ 14.583	€ 15.136	€ 15.646	€ 15.980	€ 16.306	€ 16.859	€ 17.414	€ 17.663	€ 20.538	€ 20.941	€ 21.344	€ 21.737	€ 22.279	€ 22.595	€ 23.088	€ 23.484	€ 1.635	€ 485
FS3	€ 219	€ 230	€ 251	€ 276	€ 298	€ 321	€ 344	€ 367	€ 390	€ 413	€ 530	€ 553	€ 576	€ 599	€ 623	€ 646	€ 669	€ 692	€ 715	€ 737	€ 760	€ 783		
FS5-A	€ 40	€ 51	€ 60	€ 68	€ 79	€ 88	€ 98	€ 107	€ 118	€ 126	€ 137	€ 146	€ 156	€ 165	€ 176	€ 184	€ 195	€ 204	€ 214	€ 223	€ 234	€ 242		
FS5-E	€ 56	€ 70	€ 82	€ 94	€ 109	€ 121	€ 135	€ 147	€ 162	€ 174	€ 189	€ 201	€ 215	€ 227	€ 242	€ 254	€ 268	€ 280	€ 295	€ 307	€ 322	€ 334		

FS3	Gutter System
FS5-A	Additional Fabric Support Profile (Standard)
FS5-E	Additional Fabric Support Profile (3 Axis)
FS4	Additional Rail for Compact Series- Al.- 75x120mm
FS8	Lighting System
FS9-C	Side Beam for Compact Series- Al.- 80x130mm

FS8	
FS8-S	SPOT
FS8-L	LINEAR
FS8-E	3 AXIS ⁷
FS8-L (RGB)	LINEAR (RGB)
FS8-E (RGB)	3 AXIS (RGB) ⁷

LED TYPE & MODULE		
2 LED	3 LED	4 LED
€ 151	€ 183	€ 216
€ 216	€ 280	
€ 248	€ 323	
€ 274	€ 356	
€ 315	€ 409	

Notes:

- Any Side Beam is not included in the price.
- FS Flexy Plain/3D or Stam 6002 is included in the price.
- Motor and Remote control is included in the price.
- Palmiye Aluminium Coating Catalogue includes the standard colours with no extra cost. For any other type/brand/color of paint, price difference and additional delivery duration shall be checked from your customer representative.
- Standard fabric support profile plastic colours are specified in Palmiye Aluminium Coating Catalogue.
- In pergolas including steel front pillars, if gutter option is preferred, external water drainage points will be specified according to the Project and will be priced additionally.
- 3 AXIS lights available only at exclusive fabric option.

DEDUCTIONS

Price deduction is applicable only for back pillars and back beam. Deduction amount shall be consider as 70% of related option price.

OPTIONS

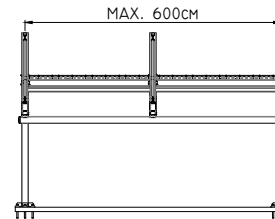
FS10-150ST3	Extra pillar (150x150x3mm St.)	€ 894	pcs
FS10-150ST5	Extra pillar (150x150x5mm St.)	€ 1.250	pcs
FS10-150ST5-H	Extra Half pillar (150x150x5mm St.)	€ 150	pcs
FS11	Deco ceiling cover	€ 66	m ²
FS15-C	Side beam pillar (80x80mm - Al)	€ 368	pcs
FS19	Fix louver	€ 68	lm
FS24	W96 Ceiling Cover	€ 76	m ²
FS26	Exclusive fabric difference (up to 800cm width)	€ 45	m ²
FS27	3 Axis lighting fabric support profile difference	€ 13	m ²
FS28-1	Stainless steel chain - 100 cm	€ 72	1m
FS28-2	Stainless steel chain - 200 cm	€ 140	2m
FS28-3	Stainless steel chain - 300 cm	€ 204	3m
FS28-4	Stainless steel chain - 400 cm	€ 272	4m
FS29-1	Sun Sensor (SUNIS) (for single motor)	€ 567	pcs
FS29-1S	Sun Sensor (SUNIS) (for synchronized motor)	€ 903	pcs
FS29-2	Wind Sensor (EOLIS RTS) (for single motor)	€ 267	pcs
FS29-2S	Wind Sensor (EOLIS RTS) (for synchronized motor)	€ 600	pcs
FS29-3	Sun and Wind Sensor (SOLIRIS RTS) (for single motor)	€ 302	pcs
FS29-3S	Sun and Wind Sensor (SOLIRIS RTS) (for synchronized motor)	€ 635	pcs
FS29-42	Rain Sensor (ONDEIS) (for single motor)	€ 524	pcs
FS29-4S3	Rain Sensor (ONDEIS) (for synchronized motor)	€ 856	pcs
FS30	CONNEXOON	€ 479	pcs

Notes:

1. Fabric support profiles can be painted in the same color as the general construction. No fee is paid for this process. However, the plastic color should be specified from our standard plastic colours in Palmiye Color Chart.
2. For one product, a dry contact transmitter costing 337€, must be added.
3. Up to 5 products, a RS485 Automation interface dry contact transmitter costing 1027€, must be added.
4. Exclusive fabric option can only be selected together with 3 axis fabric support profile. Price difference for 3 axis fabric profile should be added.

EXTENSIONS

Rail	Compact - 75x120mm	€ 188	lm
Beam	Al. 40x120mm	€ 61	lm
Beam	Al. 42x150mm	€ 96	lm
Beam	Al. 50x150mm	€ 169	lm
Beam	Al. 80x130mm	€ 90	lm
Beam	Al. 100x150mm	€ 141	lm
Beam	St. 100x150x3mm	€ 292	lm
Beam	St. 100x150x5mm	€ 354	lm
Beam	St. 100x200x3mm	€ 296	lm
Beam	St. 100x200x5mm	€ 421	lm
Fabric protection cover	Al. - 63x___cm	€ 55	m ²
Gutter	Special Profile	€ 41	lm

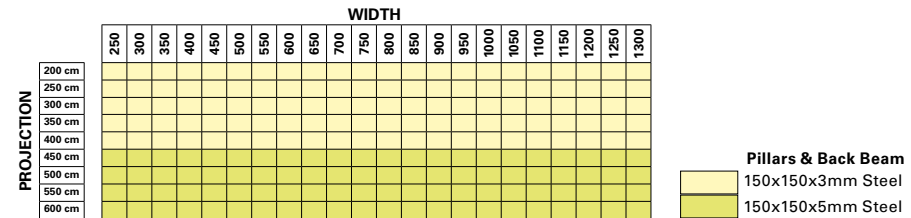


- The front beam can not be produced in steel.
- Ground flanges are 380x380x15 mm.
- When pillar reduction is applied, half pillar must be installed at the back of each rail shaft, and steel back pillars and back beam should be 150x150 mm.
- In condition of adding an additional rail, a steel 150x150 mm back pillar should also be added.

PRICE DIFFERENCE

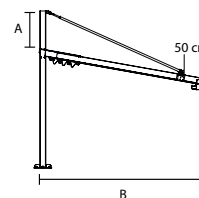
		PILLAR GROUP	
Pillar	Standard	St. 150x150x3mm	
		to	St. 150x150x5mm

STANDARD CONSTRUCTION



* In case of reducing middle pillars, distance between the pillars can be maximum 600 cm.

** Steel with a wall thickness of 5 mm must be used in all cases where the pillar is reduced.

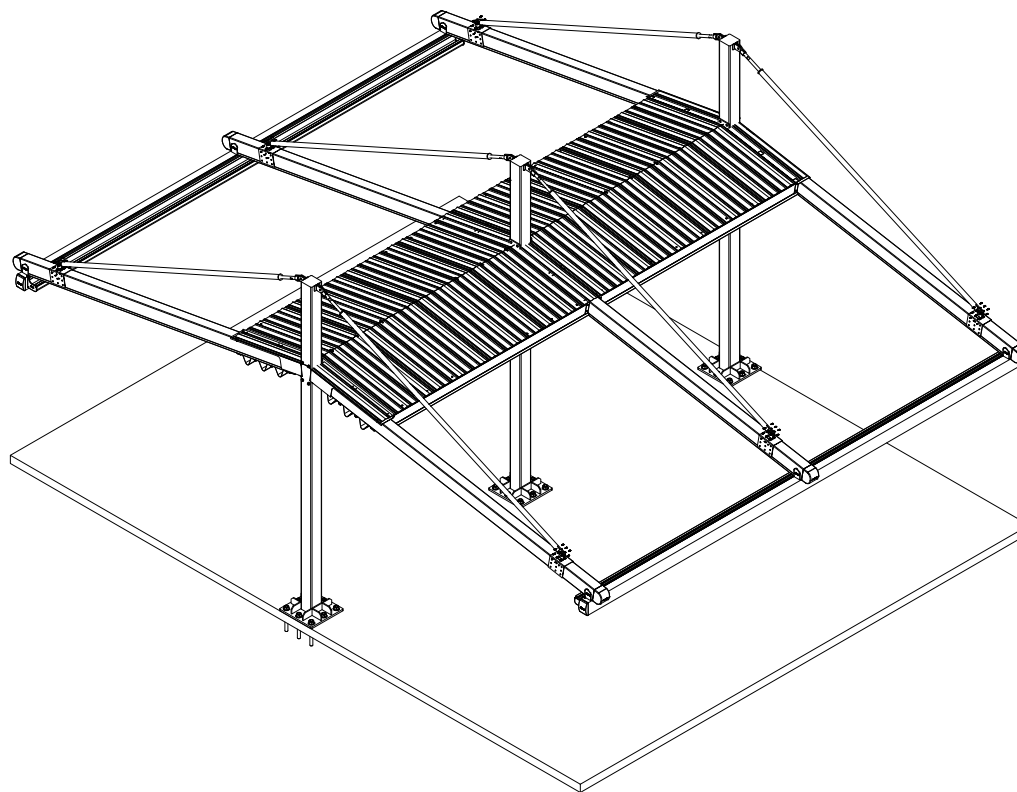


MINIMUM "A" VALUES

B (cm)	250	300	350	400	450	500	550	600
A (cm)	50	50	50	60	70	80	90	100

Upper values will be evaluated on a project basis.

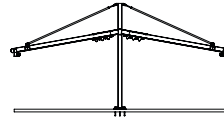
- Max. pillar length: 480 cm



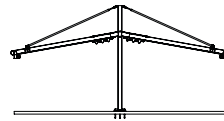
SILVERTWIN HANGING

PRODUCT FORMS

- **Silver Twin Hanging**

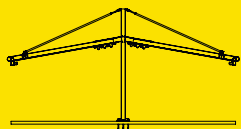


- **Silver Compact Twin Hanging**



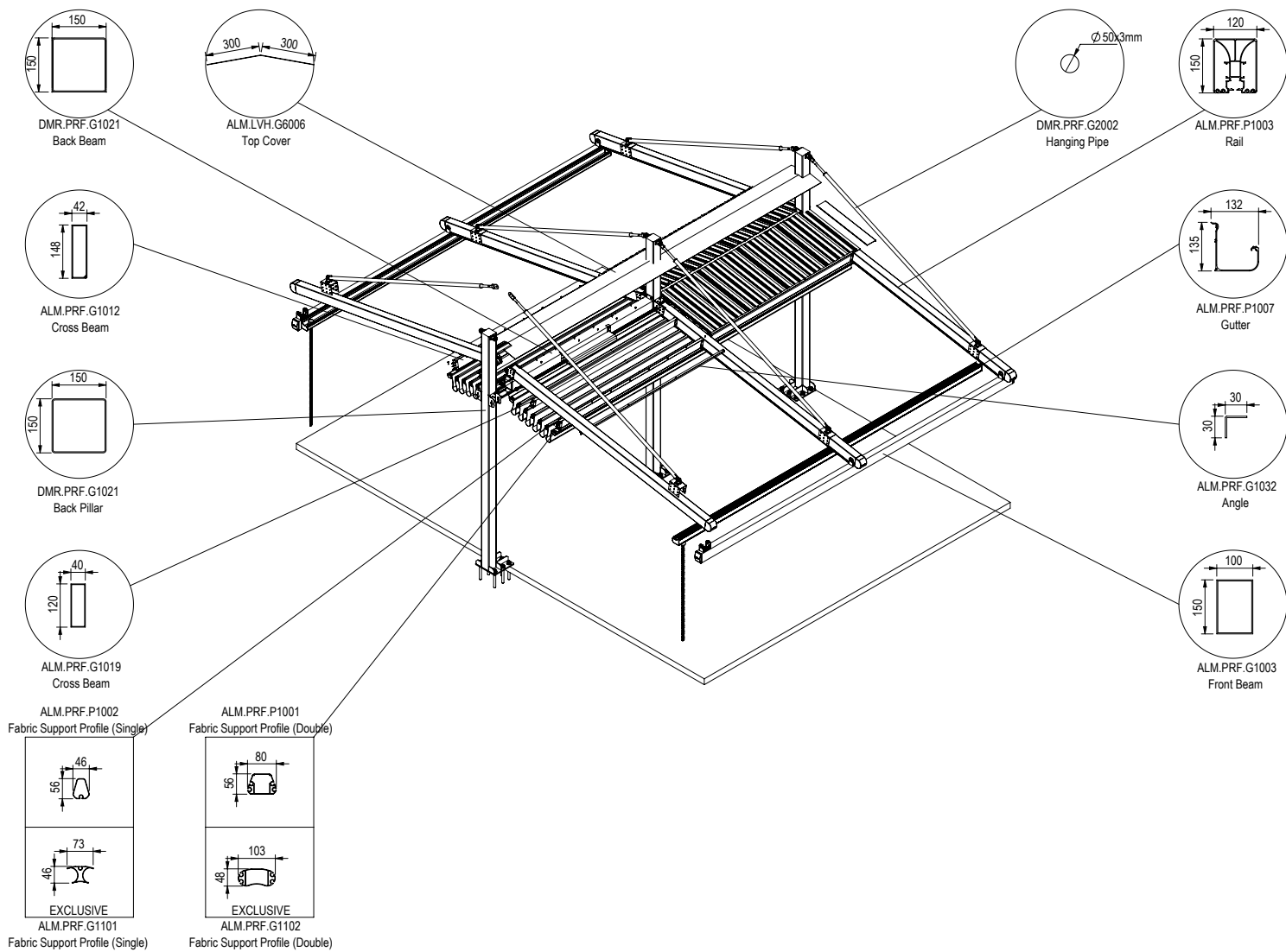
SILVER

Twin Hanging



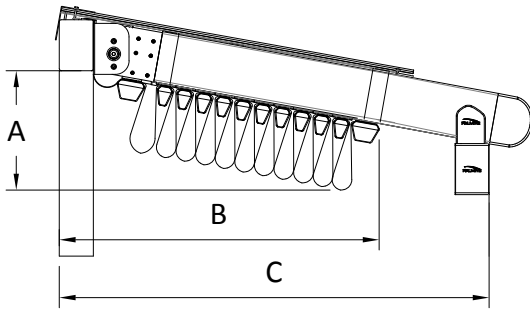
MAXIMUM DIMENSIONS

	WIDTH	PROJECTION
2 RAILS	400 cm	1200 cm
3 RAILS	900 cm	1200 cm
4 RAILS	1300 cm	1200 cm



TECHNICAL FEATURES

COLLECTED FABRIC DIMENSIONS



No of Fabric Support Profiles	Projection cm										C
	185	235	284	334	383	433	482	532	581		
4	35										66
5		36									73
6			37								79
7				38							86
8					39						92
9						40					99
10							41				105
11								42			112
12									43		118

*Calculated according to a slope of 15%

DRAINAGE CALCULATION

Type	Max. m ²
Full	39 m ² /pc

* per drainage

There should be at least one drainage, each 8 m length gutter.

MINIMUM SLOPE CHART

Projection	Slope										
	6,4-7,9%	7,4-8,8%	8,4-9,7%	9,4-10,8%	10,4-12%	11,2-12,7%	12-13,4%	13-14,5%	14-15,7%	15-16,6%	16-17,6%
	Rail Center										
	200	225	250	275	300	325	350	375	400	425	450
250	16	19	21	24	26	28	30	33	35	38	40
300	20	23	26	29	31	34	37	40	42	45	48
350	23	27	30	34	37	40	43	46	49	53	56
400	27	31	35	39	42	46	49	53	57	61	64
450	32	36	40	44	48	52	56	60	64	69	73
500	36	41	45	50	54	59	63	68	72	77	81
550	40	45	50	55	60	65	70	75	80	85	90
600	44	50	55	61	66	72	77	83	88	94	99

*Note: Max. slope can be up to 25%

For back height of system 30 cm should be added to slope value.

WIND RESISTANCE

PROJECTION (cm)	WIDTH (cm)																	
	450	500	550	600	650	700	750	800	850	900	950	1000	1050	1100	1150	1200	1250	1300
800	10	10	10	9	9	9	9	9	8	8	9	9	9	9	9	9	8	8
900	9	9	9	9	8	8	8	8	7	7	8	8	8	8	8	8	7	7
1000	8	8	8	8	7	7	7	7	6	6	7	7	7	7	7	7	6	6
1100	7	7	7	7	6	6	6	6	6	6	6	6	6	6	6	6	6	6
1200	7	6	6	6	6	6	6	6	5	5	6	6	6	6	6	6	5	5

All sides open

*The values are given according to the Beaufort scale.

**Calculated for Products with a front height of 250 cm according to Eurocode EN 1991-1-4 Terrain Category 4.

*** You can ask for new calculations for special designs.

OPTIONS

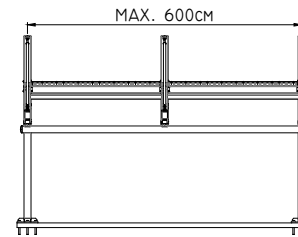
FS10-150ST3	Extra pillar (150x150x3mm St.)	€ 894	pcs
FS10-150ST5	Extra pillar (150x150x5mm St.)	€ 1.250	pcs
FS10-150ST5-H	Extra Half pillar (150x150x5mm St.)	€ 150	pcs
FS11	Deco ceiling cover	€ 66	m ²
FS15	Side beam pillar (50x100mm - Al)	€ 259	pcs
FS15-B	Side beam pillar (100x100mm - Al)	€ 500	pcs
FS19	Fix louver	€ 68	lm
FS24	W96 Ceiling Cover	€ 76	m ²
FS26	Exclusive fabric difference (up to 800cm width)	€ 45	m ²
FS27	3 Axis lighting fabric support profile difference	€ 13	m ²
FS28-1	Stainless steel chain - 100 cm	€ 72	1m
FS28-2	Stainless steel chain - 200 cm	€ 140	2m
FS28-3	Stainless steel chain - 300 cm	€ 204	3m
FS28-4	Stainless steel chain - 400 cm	€ 272	4m
FS29-1	Sun Sensor (SUNIS) (for single motor)	€ 567	pcs
FS29-1S	Sun Sensor (SUNIS) (for synchronized motor)	€ 903	pcs
FS29-2	Wind Sensor (EOLIS RTS) (for single motor)	€ 267	pcs
FS29-2S	Wind Sensor (EOLIS RTS) (for synchronized motor)	€ 600	pcs
FS29-3	Sun and Wind Sensor (SOLIRIS RTS) (for single motor)	€ 302	pcs
FS29-3S	Sun and Wind Sensor (SOLIRIS RTS) (for synchronized motor)	€ 635	pcs
FS29-42	Rain Sensor (ONDEIS) (for single motor)	€ 524	pcs
FS29-4S3	Rain Sensor (ONDEIS) (for synchronized motor)	€ 856	pcs
FS30	CONNEXOON	€ 479	pcs

Notes:

1. Fabric support profiles can be painted in the same color as the general construction. No fee is paid for this process. However, the plastic color should be specified from our standard plastic colours in Palmiye Color Chart.
2. For one product, a dry contact transmitter costing 337€, must be added.
3. Up to 5 products, a RS485 Automation interface dry contact transmitter costing 1027€, must be added.
4. Exclusive fabric option can only be selected together with 3 axis fabric support profile. Price difference for 3 axis fabric profile should be added.

EXTENSIONS

Rail	- 120x150mm	€ 308	lm
Beam	Al. 42x150mm	€ 96	lm
Beam	Al. 50x150mm	€ 169	lm
Beam	Al. 100x150mm	€ 141	lm
Beam	St. 100x150x3mm	€ 292	lm
Beam	St. 100x150x5mm	€ 354	lm
Beam	St. 100x200x3mm	€ 296	lm
Beam	St. 100x200x5mm	€ 421	lm
Fabric protection cover	Al. - 63x__cm	€ 55	m ²
Gutter	Special Profile	€ 41	lm



- The front beam can not be produced in steel.
- Ground flanges are 380x380x15 mm.
- When pillar reduction is applied, half pillar must be installed at the back of each rail shaft, and steel back pillars and back beam should be 150x150 mm.
- In condition of adding an additional rail, a steel 150x150 mm back pillar should also be added.

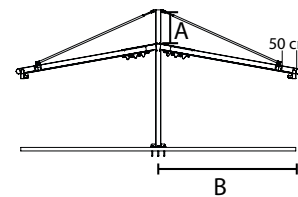
STANDARD CONSTRUCTION

PROJECTION	WIDTH																						
	250	300	350	400	450	500	550	600	650	700	750	800	850	900	950	1000	1050	1100	1150	1200	1250	1300	
200 cm																							
250 cm																							
300 cm																							
350 cm																							
400 cm																							
450 cm																							
500 cm																							
550 cm																							
600 cm																							

Pillars & Back Beam
 150x150x3mm Steel
 150x150x5mm Steel

* In case of reducing middle pillars, distance between the pillars can be maximum 600 cm.

** Steel with a wall thickness of 5 mm must be used in all cases where the pillar is reduced.



MINIMUM "A" VALUES

B (cm)	250	300	350	400	450	500	550	600
A (cm)	50	50	50	60	70	80	90	100

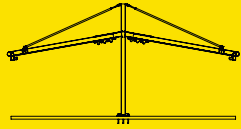
Upper values will be evaluated on a project basis.

PRICE DIFFERENCE

Beam	BEAM GROUP		
	Standard	St. 150x150x3mm	
	to	St. 150x150x5mm	488 lm

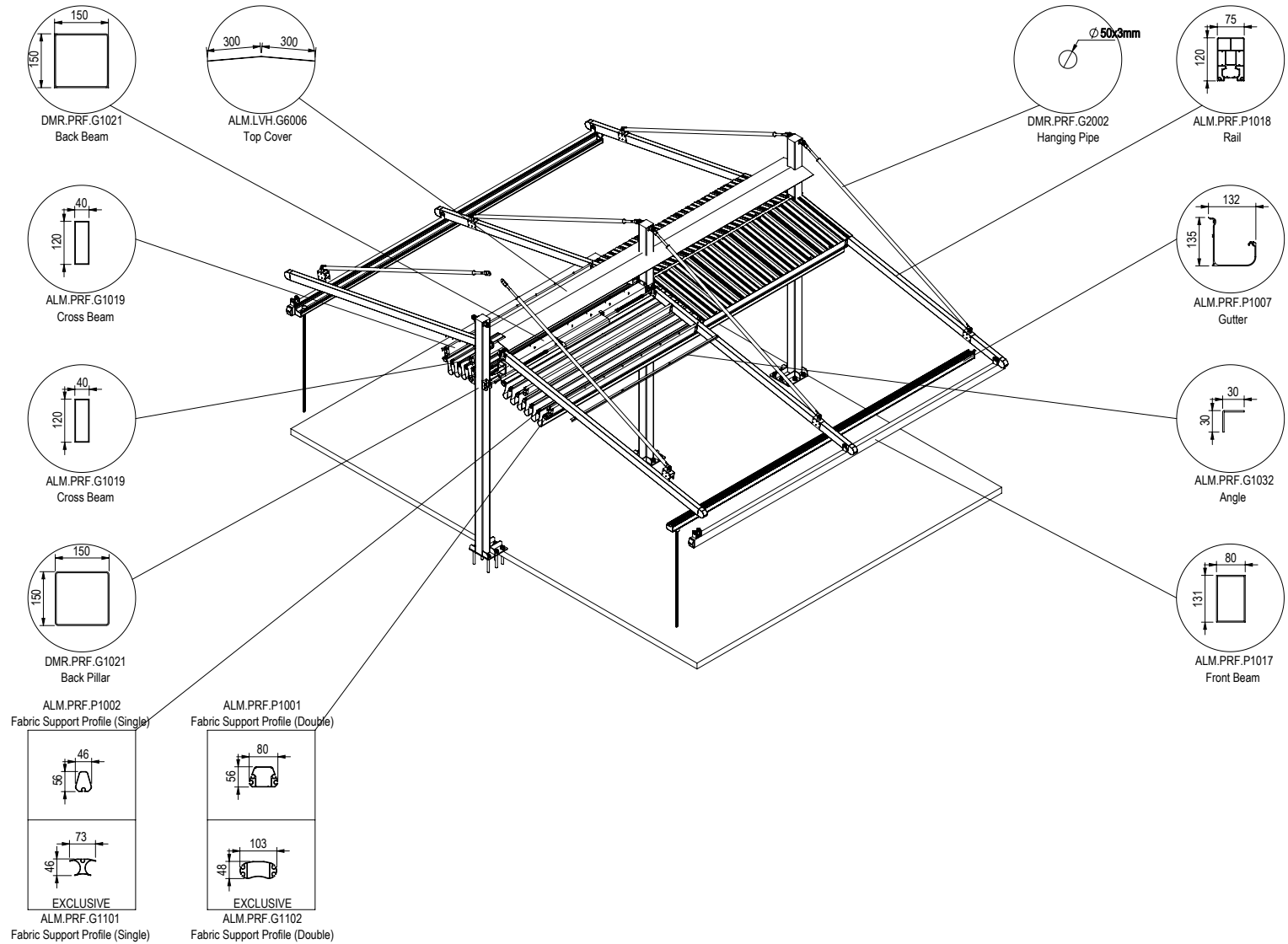
SILVER

Compact Twin Hanging



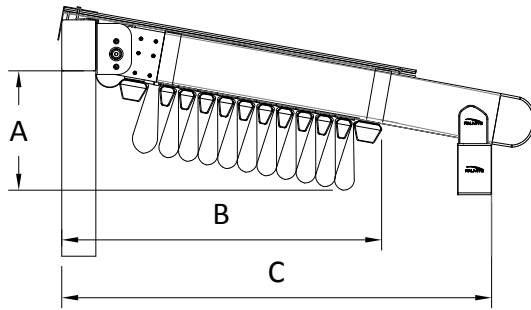
MAXIMUM DIMENSIONS

	WIDTH	PROJECTION
2 RAILS	400 cm	1200 cm
3 RAILS	900 cm	1200 cm
4 RAILS	1300 cm	1200 cm



TECHNICAL FEATURES

COLLECTED FABRIC DIMENSIONS



No of Fabric Support Profiles	Projection cm										C
	185	235	284	334	383	433	482	532	581		
4	35										66
5		36									73
6			37								79
7				38							86
8					39						92
9						40					99
10							41				105
11								42			112
12									43		118

*Calculated according to a slope of 15%

DRAINAGE CALCULATION

Type	Max. m ²
Compact	30 m ² /pc

gutter.* per drainage

There should be at least one drainage, each 8 m length

MINIMUM SLOPE CHART

Projection	Slope										
	6,4-7,9%	7,4-8,8%	8,4-9,7%	9,4-10,8%	10,4-12%	11,2-12,7%	12-13,4%	13-14,5%	14-15,7%	15-16,6%	16-17,6%
	Rail Center										
	200	225	250	275	300	325	350	375	400	425	450
250	11	14	16	19	21	23	25	28	30	33	35
300	15	18	21	24	26	29	32	35	37	40	43
350	18	22	25	29	32	35	38	41	44	48	51
400	22	26	30	34	37	41	44	48	52	56	59
450	27	31	35	39	43	47	51	55	59	64	68
500	31	36	40	45	49	54	58	63	67	72	76
550	35	40	45	50	55	60	65	70	75	80	85
600	39	45	50	56	61	67	72	78	83	89	94

* Note: Max. slope can be up to 25%

For back height of system 25 cm should be added to slope value.

WIND RESISTANCE

PROJECTION (cm)	WIDTH (cm)																	
	450	500	550	600	650	700	750	800	850	900	950	1000	1050	1100	1150	1200	1250	1300
400	11	11	11	11	11	11	11	10	10	10	11	11	11	11	10	10	10	10
500	11	11	10	10	10	10	9	9	9	10	10	10	10	9	9	9	9	9
600	10	10	10	9	9	9	8	8	8	8	9	9	9	8	8	8	8	8
700	9	9	9	8	8	8	7	7	7	7	8	8	8	7	7	7	7	7
800	9	9	8	7	7	7	7	7	7	6	7	7	7	7	7	7	7	6
900	7	7	7	6	6	6	6	6	6	5	6	6	6	6	6	6	6	5
1000	6	6	6	6	6	6	6	5	5	5	6	6	6	6	5	5	5	5
1100	5	5	5	5	5	5	5	5	5	5	5	5	5	5	5	5	5	5
1200	5	5	5	5	5	5	5	4	4	4	4	5	5	5	4	4	4	4

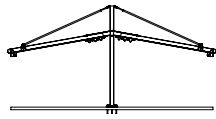
*The values are given according to the Beaufort scale.

**Calculated for Products with a front height of 250 cm according to Eurocode EN 1991-1-4 Terrain Category 4.

*** You can ask for new calculations for special designs.

All sides open

SILVER Compact Twin Hanging



Projection	Width																				FS4	FS9-C		
	2 RAILS						3 RAILS						4 RAILS											
	250 cm	300 cm	350 cm	400 cm	450 cm	500 cm	550 cm	600 cm	650 cm	700 cm	750 cm	800 cm	850 cm	900 cm	950 cm	1000 cm	1050 cm	1100 cm	1150 cm	1200 cm			1250 cm	1300 cm
400 cm	€ 10.912	€ 11.441	€ 12.185	€ 12.944	€ 13.472	€ 15.823	€ 16.337	€ 16.851	€ 17.831	€ 18.263	€ 18.620	€ 19.125	€ 19.635	€ 20.144	€ 22.728	€ 23.229	€ 23.735	€ 24.240	€ 24.745	€ 25.135	€ 25.812	€ 26.597	€ 1.263	€ 333
450 cm	€ 11.140	€ 11.811	€ 12.546	€ 13.198	€ 13.732	€ 16.193	€ 16.859	€ 17.379	€ 18.228	€ 18.666	€ 19.032	€ 19.687	€ 20.348	€ 20.723	€ 23.261	€ 23.771	€ 24.425	€ 24.937	€ 25.450	€ 25.846	€ 26.535	€ 27.325	€ 1.356	€ 371
500 cm	€ 11.367	€ 12.179	€ 12.903	€ 13.450	€ 13.990	€ 16.562	€ 17.377	€ 17.904	€ 18.623	€ 19.069	€ 19.444	€ 20.248	€ 21.056	€ 21.299	€ 23.791	€ 24.310	€ 25.113	€ 25.631	€ 26.154	€ 26.555	€ 27.253	€ 28.050	€ 1.449	€ 408
550 cm	€ 11.776	€ 12.635	€ 13.405	€ 13.999	€ 14.587	€ 17.322	€ 18.184	€ 18.760	€ 19.526	€ 20.015	€ 20.440	€ 21.291	€ 22.148	€ 22.440	€ 25.062	€ 25.630	€ 26.481	€ 27.046	€ 27.616	€ 28.057	€ 28.802	€ 29.644	€ 1.541	€ 446
600 cm	€ 12.185	€ 13.091	€ 13.906	€ 14.546	€ 15.182	€ 18.082	€ 18.990	€ 19.616	€ 20.428	€ 20.960	€ 21.434	€ 22.331	€ 23.238	€ 23.578	€ 26.329	€ 26.947	€ 27.846	€ 28.456	€ 29.076	€ 29.558	€ 30.348	€ 31.235	€ 1.634	€ 484
650 cm	€ 12.552	€ 13.333	€ 14.155	€ 14.936	€ 15.580	€ 18.599	€ 19.377	€ 20.152	€ 20.973	€ 21.510	€ 21.992	€ 22.900	€ 23.820	€ 24.162	€ 27.150	€ 27.775	€ 28.544	€ 29.162	€ 29.928	€ 30.416	€ 31.215	€ 31.973	€ 1.727	€ 521
700 cm	€ 12.921	€ 13.575	€ 14.407	€ 15.328	€ 15.980	€ 19.117	€ 19.766	€ 20.686	€ 21.520	€ 22.061	€ 22.551	€ 23.471	€ 24.403	€ 24.746	€ 27.969	€ 28.602	€ 29.240	€ 29.869	€ 30.778	€ 31.274	€ 32.082	€ 32.710	€ 1.819	€ 559
750 cm	€ 13.157	€ 13.819	€ 14.659	€ 15.587	€ 16.248	€ 19.494	€ 20.152	€ 21.080	€ 21.921	€ 22.470	€ 22.971	€ 23.896	€ 24.832	€ 25.192	€ 28.511	€ 29.153	€ 29.799	€ 30.436	€ 31.354	€ 31.856	€ 32.671	€ 33.307	€ 1.912	€ 597
800 cm	€ 13.391	€ 14.060	€ 14.909	€ 15.846	€ 16.515	€ 19.870	€ 20.536	€ 21.473	€ 22.320	€ 22.879	€ 23.387	€ 24.319	€ 25.259	€ 25.634	€ 29.050	€ 29.701	€ 30.355	€ 31.001	€ 31.927	€ 32.436	€ 33.259	€ 33.904	€ 2.005	€ 634
850 cm	€ 13.632	€ 14.310	€ 15.166	€ 16.112	€ 16.789	€ 20.259	€ 20.933	€ 21.880	€ 22.734	€ 23.300	€ 23.818	€ 24.757	€ 25.705	€ 26.088	€ 29.604	€ 30.263	€ 30.923	€ 31.579	€ 32.515	€ 33.027	€ 33.859	€ 34.513	€ 2.097	€ 672
900 cm	€ 13.872	€ 14.559	€ 15.424	€ 16.377	€ 17.062	€ 20.646	€ 21.330	€ 22.284	€ 23.148	€ 23.721	€ 24.247	€ 25.195	€ 26.152	€ 26.540	€ 30.156	€ 30.824	€ 31.491	€ 32.158	€ 33.101	€ 33.618	€ 34.458	€ 35.119	€ 2.190	€ 710
950 cm	€ 14.109	€ 14.803	€ 15.675	€ 16.638	€ 17.331	€ 21.026	€ 21.716	€ 22.678	€ 23.553	€ 24.129	€ 24.665	€ 25.621	€ 26.589	€ 26.984	€ 30.698	€ 31.374	€ 32.050	€ 32.723	€ 33.675	€ 34.199	€ 35.047	€ 35.717	€ 2.283	€ 747
1000 cm	€ 14.342	€ 15.045	€ 15.926	€ 16.896	€ 17.597	€ 21.403	€ 22.099	€ 23.070	€ 23.955	€ 24.537	€ 25.082	€ 26.046	€ 27.024	€ 27.427	€ 31.236	€ 31.922	€ 32.605	€ 33.286	€ 34.246	€ 34.777	€ 35.634	€ 36.313	€ 2.376	€ 785
1050 cm	€ 14.575	€ 15.287	€ 16.176	€ 17.153	€ 17.864	€ 21.781	€ 22.483	€ 23.462	€ 24.357	€ 24.945	€ 25.498	€ 26.471	€ 27.459	€ 27.869	€ 31.774	€ 32.470	€ 33.161	€ 33.848	€ 34.817	€ 35.356	€ 36.221	€ 36.908	€ 2.469	€ 823
1100 cm	€ 14.808	€ 15.529	€ 16.427	€ 17.411	€ 18.131	€ 22.158	€ 22.866	€ 23.854	€ 24.758	€ 25.353	€ 25.915	€ 26.897	€ 27.894	€ 28.312	€ 32.312	€ 33.018	€ 33.716	€ 34.411	€ 35.388	€ 35.934	€ 36.808	€ 37.504	€ 2.562	€ 860
1150 cm	€ 15.042	€ 15.771	€ 16.678	€ 17.669	€ 18.397	€ 22.536	€ 23.250	€ 24.246	€ 25.160	€ 25.761	€ 26.332	€ 27.322	€ 28.329	€ 28.754	€ 32.851	€ 33.566	€ 34.271	€ 34.974	€ 35.959	€ 36.512	€ 37.395	€ 38.099	€ 2.653	€ 899
1200 cm	€ 15.275	€ 16.014	€ 16.928	€ 17.927	€ 18.664	€ 22.913	€ 23.633	€ 24.638	€ 25.562	€ 26.169	€ 26.749	€ 27.747	€ 28.764	€ 29.197	€ 33.389	€ 34.114	€ 34.827	€ 35.536	€ 36.530	€ 37.091	€ 37.982	€ 38.695	€ 2.746	€ 936
FS3	€ 219	€ 230	€ 251	€ 276	€ 298	€ 321	€ 344	€ 367	€ 390	€ 413	€ 530	€ 553	€ 576	€ 599	€ 623	€ 646	€ 669	€ 692	€ 715	€ 737	€ 760	€ 783		
FS5-A	€ 40	€ 51	€ 60	€ 68	€ 79	€ 88	€ 98	€ 107	€ 118	€ 126	€ 137	€ 146	€ 156	€ 165	€ 176	€ 184	€ 195	€ 204	€ 214	€ 223	€ 234	€ 242		
FS5-E	€ 56	€ 70	€ 82	€ 94	€ 109	€ 121	€ 135	€ 147	€ 162	€ 174	€ 189	€ 201	€ 215	€ 227	€ 242	€ 254	€ 268	€ 280	€ 295	€ 307	€ 322	€ 334		

Notes:

- Any Side Beam is not included in the price.
- FS Flexy Plain/3D or Stam 6002 is included in the price.
- Motor and Remote control is included in the price.
- Palmiye Aluminium Coating Catalogue includes the standard colours with no extra cost. For any other type/brand/color of paint, price difference and additional delivery duration shall be checked from your customer representative.
- Standard fabric support profile plastic colours are specified in Palmiye Aluminium Coating Catalogue.
- The gutter option price is for one side and must be added separately for each side.
- In pergolas including steel front pillars, if gutter option is preferred, external water drainage points will be specified according to the Project and will be priced additionally.
- 3 AXIS lights available only at exclusive fabric option.

DEDUCTIONS

Price deduction is applicable only for back pillars and back beam. Deduction amount shall be consider as 70% of related option price.

		LED TYPE & MODULE		
FS3	Gutter System (For One Side)			
FS5-A	Additional Fabric Support Profile (Standard)			
FS5-E	Additional Fabric Support Profile (3 Axis)			
FS4	Additional Rail for Compact Series- Al.- 75x120mm Additional Pillar for Compact Series- Al.- 80x80mm			
FS8	Lighting System			
FS9-C	Side Beam for Compact Series- Al.- 80x130mm			
		FS8		
		FS8-S	SPOT	€ 151 € 183 € 216
		FS8-L	LINEAR	€ 216 € 280
		FS8-E	3 AXIS ⁸	€ 248 € 323
		FS8-LR	LINEAR (RGB)	€ 274 € 356
		FS8-ER	3 AXIS (RGB) ⁸	€ 315 € 409

OPTIONS

FS10-150ST3	Extra pillar (150x150x3mm St.)	€ 894	pcs
FS10-150ST5	Extra pillar (150x150x5mm St.)	€ 1.250	pcs
FS10-150ST5-H	Extra Half pillar (150x150x5mm St.)	€ 150	pcs
FS11	Deco ceiling cover	€ 66	m ²
FS15-C	Side beam pillar (80x80mm - Al)	€ 368	pcs
FS19	Fix louver	€ 68	lm
FS24	W96 Ceiling Cover	€ 76	m ²
FS26	Exclusive fabric difference (up to 800cm width)	€ 45	m ²
FS27	3 Axis lighting fabric support profile difference	€ 13	m ²
FS28-1	Stainless steel chain - 100 cm	€ 72	1m
FS28-2	Stainless steel chain - 200 cm	€ 140	2m
FS28-3	Stainless steel chain - 300 cm	€ 204	3m
FS28-4	Stainless steel chain - 400 cm	€ 272	4m
FS29-1	Sun Sensor (SUNIS) (for single motor)	€ 567	pcs
FS29-1S	Sun Sensor (SUNIS) (for synchronized motor)	€ 903	pcs
FS29-2	Wind Sensor (EOLIS RTS) (for single motor)	€ 267	pcs
FS29-2S	Wind Sensor (EOLIS RTS) (for synchronized motor)	€ 600	pcs
FS29-3	Sun and Wind Sensor (SOLIRIS RTS) (for single motor)	€ 302	pcs
FS29-3S	Sun and Wind Sensor (SOLIRIS RTS) (for synchronized motor)	€ 635	pcs
FS29-42	Rain Sensor (ONDEIS) (for single motor)	€ 524	pcs
FS29-4S3	Rain Sensor (ONDEIS) (for synchronized motor)	€ 856	pcs
FS30	CONNEXOON	€ 479	pcs

Notes:

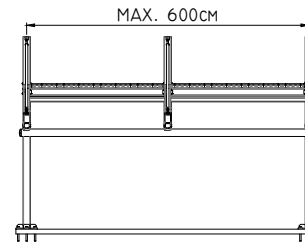
1. Fabric support profiles can be painted in the same color as the general construction. No fee is paid for this process. However, the plastic color should be specified from our standard plastic colours in Palmiye Color Chart.
2. For one product, a dry contact transmitter costing 337€, must be added.
3. Up to 5 products, a RS485 Automation interface dry contact transmitter costing 1027€, must be added.
4. Exclusive fabric option can only be selected together with 3 axis fabric support profile. Price difference for 3 axis fabric profile should be added.

EXTENSIONS

Rail	Compact - 75x120mm	€ 188	lm
Beam	Al. 40x120mm	€ 61	lm
Beam	Al. 42x150mm	€ 96	lm
Beam	Al. 50x150mm	€ 169	lm
Beam	Al. 80x130mm	€ 90	lm
Beam	Al. 100x150mm	€ 141	lm
Beam	St. 100x150x3mm	€ 292	lm
Beam	St. 100x150x5mm	€ 354	lm
Beam	St. 100x200x3mm	€ 296	lm
Beam	St. 100x200x5mm	€ 421	lm
Fabric protection cover	Al. - 63x__cm	€ 55	m ²
Gutter	Special Profile	€ 41	lm

PRICE DIFFERENCE

				PILLAR GROUP	
Pillar	Standard	St. 150x150x3mm			
		to	St. 150x150x5mm	€ 488	pcs



- The front beam can not be produced in steel.
- Ground flanges are 380x380x15 mm.
- When pillar reduction is applied, half pillar must be installed at the back of each rail shaft, and steel back pillars and back beam should be 150x150 mm.
- In condition of adding an additional rail, a steel 150x150 mm back pillar should also be added.

STANDARD CONSTRUCTION

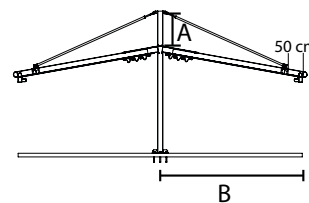
		WIDTH																										
		250	300	350	400	450	500	550	600	650	700	750	800	850	900	950	1000	1050	1100	1150	1200	1250	1300					
PROJECTION	400 cm																											
	500 cm																											
	600 cm																											
	700 cm																											
	800 cm																											
	900 cm																											
	1000 cm																											
	1100 cm																											
	1200 cm																											
	1250 cm																											
	1300 cm																											

Pillars & Back Beam

	150x150x3mm Steel
	150x150x5mm Steel

* In case of reducing middle pillars, distance between the pillars can be maximum 600 cm.

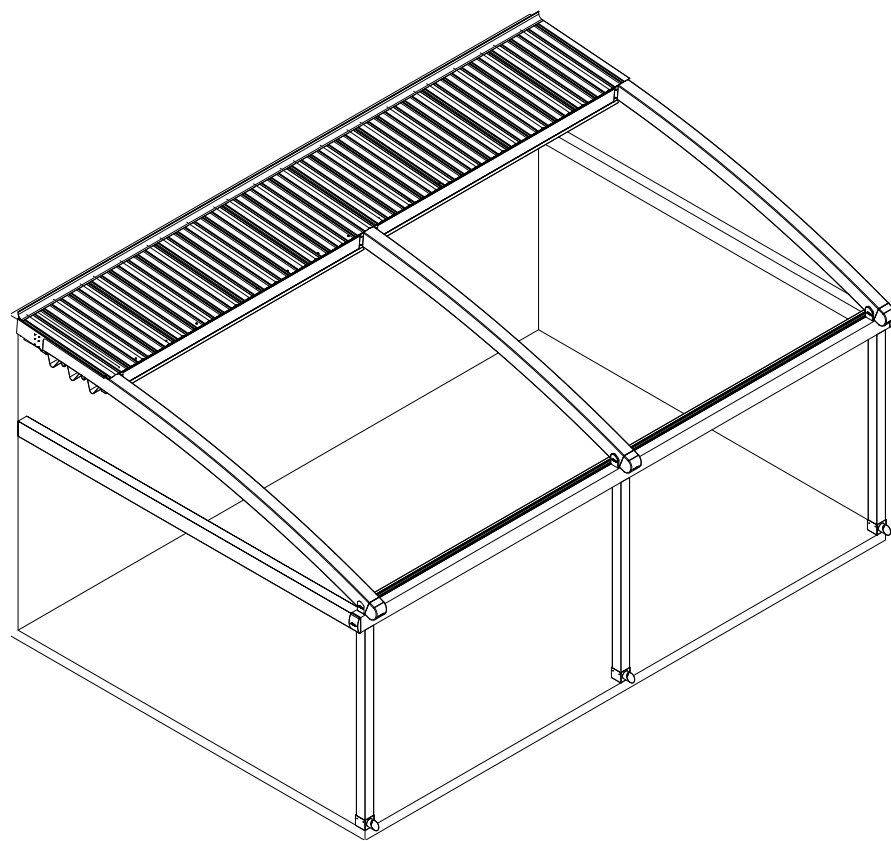
** Steel with a wall thickness of 5 mm must be used in all cases where the pillar is reduced.



MINIMUM "A" VALUES

B (cm)	250	350	350	400	450	500	550	600
A (cm)	50	50	50	60	70	80	90	100

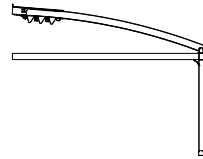
Upper values will be evaluated on a project basis.



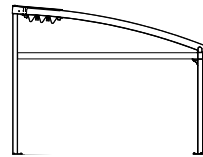
CORAL

PRODUCT FORMS

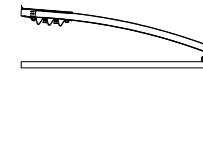
- **CORAL** Wall / Ceiling
-



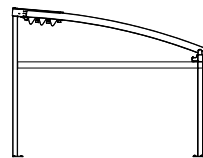
- **CORAL** Freestanding
-



- **CORAL Compact** Wall / Ceiling
-

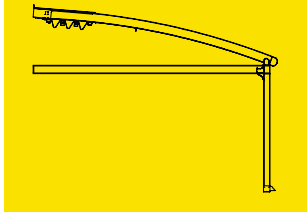


- **CORAL Compact** Freestanding
-



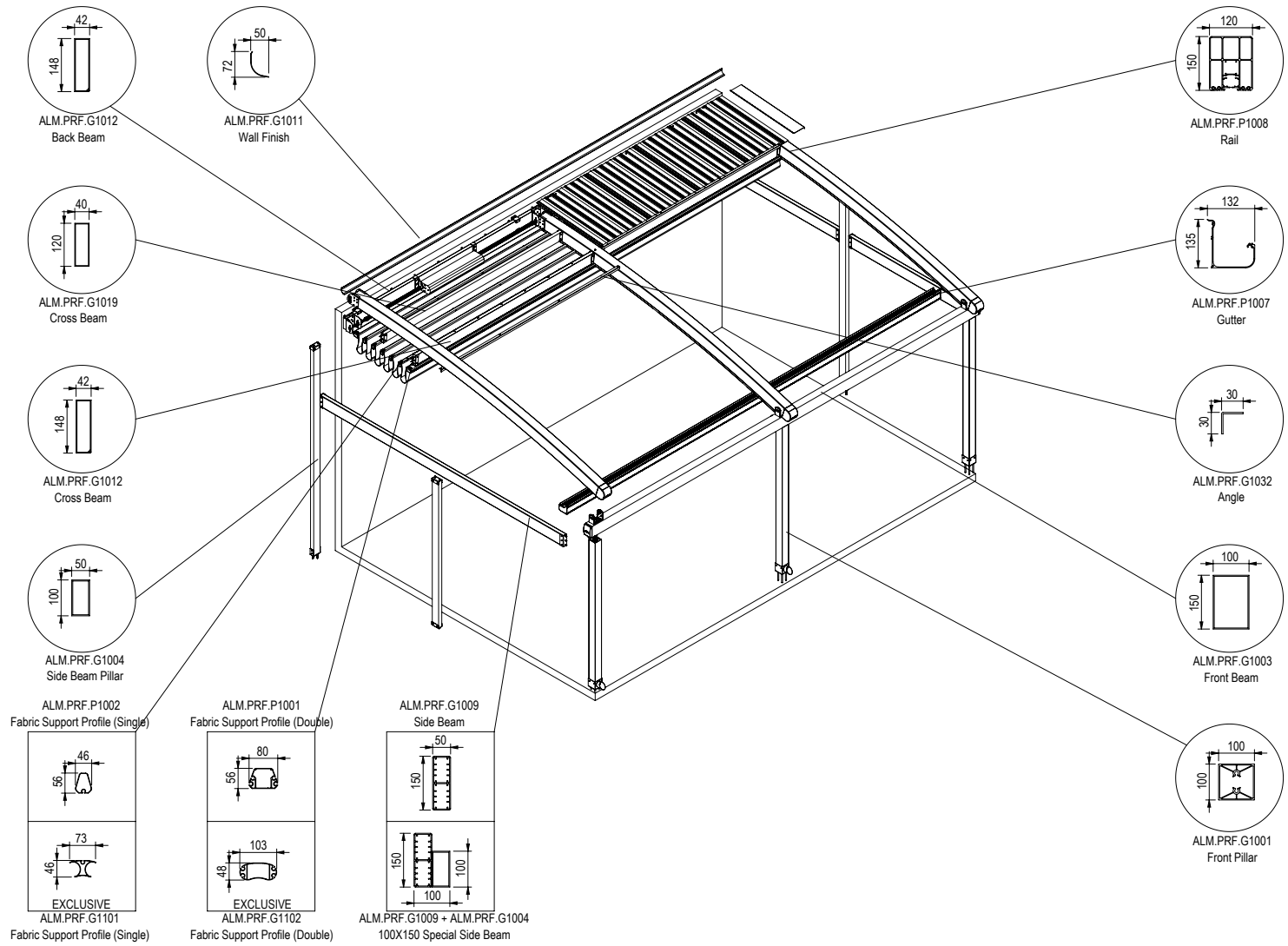
CORAL

Wall / Ceiling



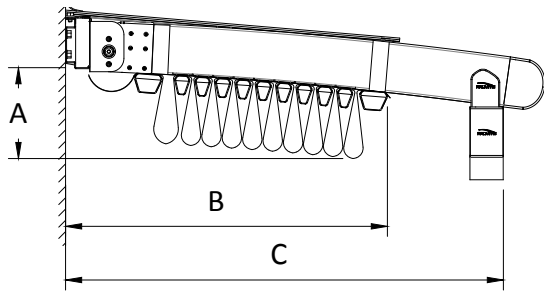
MAXIMUM DIMENSIONS

	WIDTH	PROJECTION
2 RAILS	400 cm	800 cm
3 RAILS	800 cm	800 cm
4 RAILS	1200 cm	800 cm
5 RAILS	1300 cm	700 cm



TECHNICAL FEATURES

COLLECTED FABRIC DIMENSIONS



Projection cm		C											
200	250	300	350	400	450	500	550	600	650	700	750	800	C
5													68
6													74
7		32											81
9			34										94
10				35									100
11					36								107
13						38							120
14							39						127
15								40					133
17									42				146
18										43			152
19											44		159
21												46	172

*Calculated according to a slope of 15%

DRAINAGE CALCULATION

Type	Max. m ²
Full	39 m ² /pc
Half	18 m ² /pc

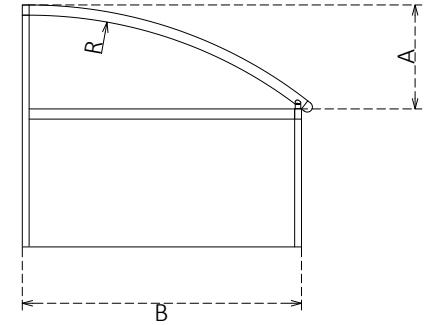
* per drainage

There should be at least one drainage, each 8 m length gutter.

RADIUS CHART

RADIUS	850	1500	2850
Projection	A		
250	63		
300	83		
350	107		
400	135	82	
450	168	98	
500		116	
550		137	
600		160	93
650		184	106
700			119
750			133
800			149

*The values are approx. ± 5 cm



WIND RESISTANCE

PROJECTION (cm)	WIDTH (cm)																	
	450	500	550	600	650	700	750	800	850	900	950	1000	1050	1100	1150	1200	1250	1300
400	11	11	11	11	11	11	11	11	11	11	11	11	11	11	11	11	11	11
450	11	11	11	11	11	11	11	11	11	11	11	11	11	11	11	11	11	11
500	11	11	11	11	11	11	11	11	11	11	11	11	11	11	11	11	11	11
550	11	11	11	11	11	11	11	11	11	11	11	11	11	11	11	11	11	11
600	11	11	11	11	11	11	10	10	11	11	11	11	11	11	10	10	11	11
650	11	11	11	11	10	10	10	9	11	11	10	10	10	10	10	9	10	10
700	11	10	10	10	10	10	9	9	10	10	10	10	10	10	9	9	10	10
750	10	10	10	9	9	9	9	8	10	9	9	9	9	9	9	8	9	
800	10	10	9	9	9	9	8	8	10	9	9	9	9	9	8	8		

All sides open

PROJECTION (cm)	WIDTH (cm)																	
	450	500	550	600	650	700	750	800	850	900	950	1000	1050	1100	1150	1200	1250	1300
400	11	11	11	11	11	10	10	10	11	11	11	11	10	10	10	10	11	11
450	11	11	10	10	10	10	10	10	11	10	10	10	10	10	10	10	10	10
500	10	10	10	10	10	10	10	10	10	10	10	10	10	10	10	10	10	10
550	10	10	9	9	9	9	9	9	10	9	9	9	9	9	9	9	9	9
600	10	9	9	9	9	9	9	9	9	9	9	9	9	9	9	9	9	9
650	9	9	9	9	9	9	8	8	9	9	9	9	9	9	8	8	9	9
700	9	9	9	9	8	8	8	8	9	9	8	8	8	8	8	8	8	8
750	8	8	8	8	8	8	8	8	8	8	8	8	8	8	8	8	8	8
800	8	8	8	8	8	8	7	7	8	8	8	8	8	8	7	7		

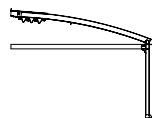
With side enclosure

*The values are given according to the Beaufort scale.

**Calculated for Products with a front height of 250 cm according to Eurocode EN 1991-1-4 Terrain Category 4.

*** You can ask for new calculations for special designs.

CORAL Wall / Ceiling



Projection	Width				2 RAILS								3 RAILS								4 RAILS								5 RAILS		FS4	FS9	FS9-S	FS9-2
	250 cm	300 cm	350 cm	400 cm	450 cm	500 cm	550 cm	600 cm	650 cm	700 cm	750 cm	800 cm	850 cm	900 cm	950 cm	1000 cm	1050 cm	1100 cm	1150 cm	1200 cm	1250 cm	1300 cm												
200 cm	€ 6.939	€ 7.283	€ 7.945	€ 8.293	€ 9.794	€ 10.137	€ 10.495	€ 10.828	€ 11.491	€ 11.839	€ 12.243	€ 12.587	€ 13.787	€ 14.121	€ 14.768	€ 15.103	€ 15.432	€ 15.765	€ 16.095	€ 16.428	€ 18.338	€ 18.858	€ 1.082	€ 221	€ 294	€ 174								
250 cm	€ 7.312	€ 7.841	€ 8.341	€ 8.699	€ 10.357	€ 10.710	€ 11.248	€ 11.602	€ 12.102	€ 12.455	€ 12.873	€ 13.408	€ 14.761	€ 15.110	€ 15.589	€ 15.934	€ 16.458	€ 16.801	€ 17.145	€ 17.488	€ 19.555	€ 20.084	€ 1.194	€ 267	€ 367	€ 204								
300 cm	€ 7.889	€ 8.479	€ 9.032	€ 9.442	€ 11.306	€ 11.716	€ 12.307	€ 12.716	€ 13.269	€ 13.679	€ 14.150	€ 14.741	€ 16.300	€ 16.696	€ 17.238	€ 17.634	€ 18.211	€ 18.606	€ 19.007	€ 19.406	€ 21.675	€ 22.262	€ 1.306	€ 313	€ 441	€ 233								
350 cm	€ 8.452	€ 8.877	€ 9.439	€ 10.040	€ 12.064	€ 12.484	€ 12.907	€ 13.508	€ 14.075	€ 14.495	€ 14.982	€ 15.583	€ 17.302	€ 17.711	€ 18.437	€ 18.852	€ 19.261	€ 19.671	€ 20.257	€ 20.666	€ 23.097	€ 23.522	€ 1.419	€ 358	€ 514	€ 263								
400 cm	€ 8.839	€ 9.273	€ 9.850	€ 10.459	€ 12.648	€ 13.082	€ 13.520	€ 14.130	€ 14.707	€ 15.140	€ 15.635	€ 16.245	€ 18.133	€ 18.553	€ 19.290	€ 19.715	€ 20.139	€ 20.559	€ 21.160	€ 21.578	€ 24.176	€ 24.610	€ 1.531	€ 404	€ 588	€ 292								
450 cm	€ 9.237	€ 9.684	€ 10.270	€ 10.895	€ 13.245	€ 13.693	€ 14.140	€ 14.760	€ 15.350	€ 15.794	€ 16.305	€ 16.929	€ 18.973	€ 19.406	€ 20.159	€ 20.593	€ 21.027	€ 21.460	€ 22.071	€ 22.505	€ 25.264	€ 25.707	€ 1.643	€ 449	€ 661	€ 322								
500 cm	€ 9.626	€ 10.084	€ 10.685	€ 11.318	€ 13.836	€ 14.294	€ 14.751	€ 15.385	€ 15.985	€ 16.443	€ 16.962	€ 17.595	€ 19.811	€ 20.255	€ 21.018	€ 21.465	€ 21.909	€ 22.351	€ 22.976	€ 23.423	€ 26.346	€ 26.803	€ 1.756	€ 495	€ 734	€ 352								
550 cm	€ 10.226	€ 10.912	€ 11.569	€ 12.257	€ 14.982	€ 15.497	€ 16.189	€ 16.679	€ 17.532	€ 18.042	€ 18.618	€ 19.304	€ 21.730	€ 22.408	€ 23.046	€ 23.546	€ 24.227	€ 24.724	€ 25.400	€ 25.900	€ 29.036	€ 29.723	€ 1.868	€ 541	€ 808	€ 381								
600 cm	€ 10.630	€ 11.330	€ 11.998	€ 12.698	€ 15.586	€ 16.110	€ 16.815	€ 17.339	€ 18.182	€ 18.708	€ 19.294	€ 19.994	€ 22.582	€ 23.268	€ 24.063	€ 24.436	€ 25.127	€ 25.637	€ 26.324	€ 26.838	€ 30.136	€ 30.836	€ 1.981	€ 586	€ 881	€ 411								
650 cm	€ 11.021	€ 11.731	€ 12.414	€ 13.123	€ 16.183	€ 16.716	€ 17.431	€ 17.966	€ 18.823	€ 19.357	€ 19.958	€ 20.673	€ 23.422	€ 24.128	€ 24.791	€ 25.315	€ 26.015	€ 26.534	€ 27.240	€ 27.765	€ 31.228	€ 31.938	€ 2.093	€ 632	€ 955	€ 440								
700 cm	€ 11.415	€ 12.139	€ 12.831	€ 13.556	€ 16.783	€ 17.326	€ 18.054	€ 18.602	€ 19.470	€ 20.012	€ 20.624	€ 21.347	€ 24.268	€ 24.984	€ 25.661	€ 26.194	€ 26.909	€ 27.438	€ 28.154	€ 28.691	€ 32.319	€ 33.043	€ 2.205	€ 678	€ 1.028	€ 470								
750 cm	€ 11.815	€ 12.549	€ 13.254	€ 13.988	€ 17.380	€ 17.938	€ 18.672	€ 19.234	€ 20.112	€ 20.673	€ 21.293	€ 22.027	€ 25.115	€ 25.841	€ 26.527	€ 27.075	€ 27.799	€ 28.347	€ 29.070	€ 29.618	€ 33.417		€ 2.318	€ 983	€ 1.601	€ 999								
800 cm	€ 12.214	€ 12.959	€ 13.677	€ 14.420	€ 17.978	€ 18.551	€ 19.290	€ 19.866	€ 20.753	€ 21.334	€ 21.962	€ 22.706	€ 25.962	€ 26.698	€ 27.392	€ 27.956	€ 28.688	€ 29.255	€ 29.987	€ 30.545			€ 2.430	€ 1.028	€ 1.675	€ 1.029								
FS3	€ 219	€ 230	€ 251	€ 276	€ 298	€ 321	€ 344	€ 367	€ 390	€ 413	€ 530	€ 553	€ 576	€ 599	€ 623	€ 646	€ 669	€ 692	€ 715	€ 737	€ 760	€ 783												
FS5-A	€ 40	€ 51	€ 60	€ 68	€ 79	€ 88	€ 98	€ 107	€ 118	€ 126	€ 137	€ 146	€ 156	€ 165	€ 176	€ 184	€ 195	€ 204	€ 214	€ 223	€ 234	€ 242												
FS5-E	€ 56	€ 70	€ 82	€ 94	€ 109	€ 121	€ 135	€ 147	€ 162	€ 174	€ 189	€ 201	€ 215	€ 227	€ 242	€ 254	€ 268	€ 280	€ 295	€ 307	€ 322	€ 334												

Side beam pillar is included in the price

FS3	Gutter System
FS5-A	Additional Fabric Support Profile (Standard)
FS5-E	Additional Fabric Support Profile (3 Axis)
FS4	Additional Rail - Al. - 120x150mm
FS8	Lighting System
FS9	Side Beam - Al. - 50x150mm
FS9-S	Side Beam - Al. - 100x150mm (Special)
FS9-2	Side Beam - Al. - 100x150mm

FS8	
FS8-S	SPOT
FS8-L	LINEAR
FS8-E	3 AXIS ⁷
FS8-L (RGB)	LINEAR (RGB)
FS8-E (RGB)	3 AXIS (RGB) ⁷

LED TYPE & MODULE		
2 LED	3 LED	4 LED
€ 151	€ 183	€ 216
€ 216	€ 280	
€ 248	€ 323	
€ 274	€ 356	
€ 315	€ 409	

Notes:

- Any side beam is not included in the price.
- FS Flexy Plain/3D or Stam 6002 is included in the price.
- Motor and Remote control is included in the price.
- Palmye Aluminium Coating Catalogue includes the standard colours with no extra cost. For any other type/brand/color of paint, price difference and additional delivery duration shall be checked from your customer representative.
- Standard fabric support profile plastic colours are specified in Palmye Aluminium Coating Catalogue.
- If side beam used and projection is bigger than 700 cm, a side beam pillar also needs to be added up to the rail (FS15 or FS15-B). Price is included in FS9 side beam option price.
7. 3 AXIS lights available only at exclusive fabric option.

DEDUCTION

Price deduction is applicable only for pillars and beam. Deduction amount shall be considered as 70% of related option price.

OPTIONS

FS10	Extra pillar (100x100mm Al.)	€ 500	pcs
FS10-ST3	Extra pillar (100x100x3mm St.)	€ 479	pcs
FS10-ST5	Extra pillar (100x100x5mm St.)	€ 698	pcs
FS11	Deco ceiling cover	€ 66	m ²
FS15	Side beam pillar (50x100mm - Al)	€ 259	pcs
FS15-B	Side beam pillar (100x100mm - Al)	€ 500	pcs
FS19	Fix louver	€ 68	lm
FS23	External Square Downpipe	€ 306	pcs
FS24	W96 Ceiling Cover	€ 76	m ²
FS26	Exclusive fabric difference (up to 800cm width)	€ 45	m ²
FS27	3 Axis lighting fabric support profile difference	€ 13	m ²
FS29-1	Sun Sensor (SUNIS) (for single motor)	€ 567	pcs
FS29-1S	Sun Sensor (SUNIS) (for synchronized motor)	€ 903	pcs
FS29-2	Wind Sensor (EOLIS RTS) (for single motor)	€ 267	pcs
FS29-2S	Wind Sensor (EOLIS RTS) (for synchronized motor)	€ 600	pcs
FS29-3	Sun and Wind Sensor (SOLIRIS RTS) (for single motor)	€ 302	pcs
FS29-3S	Sun and Wind Sensor (SOLIRIS RTS) (for synchronized motor)	€ 635	pcs
FS29-4 ^{2/3}	Rain Sensor (ONDEIS) (for single motor)	€ 524	pcs
FS29-4S ^{2/3}	Rain Sensor (ONDEIS) (for synchronized motor)	€ 856	pcs
FS30	CONNEXOON	€ 479	pcs

Notes:

1. Fabric support profiles can be painted in the same color as the general construction. No fee is paid for this process. However, the plastic color should be specified from our standard plastic colours in Palmiye Color Chart.
2. For one product, a dry contact transmitter costing 337€, must be added.
3. Up to 5 products, a RS485 Automation interface dry contact transmitter costing 1027€, must be added.
4. Exclusive fabric option can only be selected together with 3 axis fabric support profile. Price difference for 3 axis fabric profile should be added.

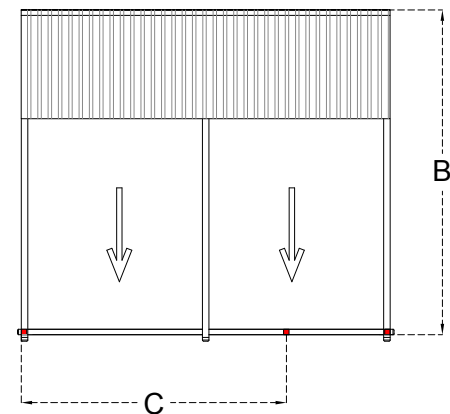
EXTENSIONS

Rail	- 120x150mm	€ 308	lm
Beam	Al. 42x150mm	€ 96	lm
Beam	Al. 50x150mm	€ 169	lm
Beam	Al. 100x150mm	€ 141	lm
Beam	St. 100x150x3mm	€ 292	lm
Beam	St. 100x150x5mm	€ 354	lm
Beam	St. 100x200x3mm	€ 296	lm
Beam	St. 100x200x5mm	€ 421	lm
Fabric protection cover	Al. - 63x__cm	€ 55	m ²
Gutter	Special Profile	€ 41	lm
Pillar	Al. 100x100mm	€ 158	lm
Pillar	St. 100x100x3mm	€ 198	lm
Pillar	St. 100x100x5mm	€ 354	lm
Pillar	St. 150x150x3mm	€ 401	lm
Pillar	St. 150x150x5mm	€ 562	lm

*Max. Al. Front pillar (Al. 100x100mm) height is 280cm

*Max. St 3mm. Front pillar (St. 100x100x3mm) height is 380cm

*Max. St. 5mm Front pillar (St. 100x100x5mm) height is 480cm



PRICE DIFFERENCE

		BEAM GROUP		
		Standard	Al. 42x150mm	
Back Beam	to		Al. 50x150mm	€ 74 lm
			St. 50x150x3mm	€ 95 lm
			St. 50x150x5mm	€ 176 lm
			Al. 100x150mm	€ 44 lm
			St. 100x150x3mm	€ 192 lm
			St. 100x150x5mm	€ 260 lm
			St. 100x200x3mm	€ 196 lm
		St. 100x200x5mm	€ 328 lm	
		Standard	Al. 100x150mm	
Front Beam	to		St. 100x150x3mm	€ 146 lm
			St. 100x150x5mm	€ 217 lm
			St. 100x200x3mm	€ 150 lm
			St. 100x200x5mm	€ 283 lm
		PILLAR GROUP		
		Standard	Al. 100x100mm	
Front Pillar	to		St. 100x100x3mm	€ 101 pcs
			St. 100x100x5mm	€ 416 pcs
			St. 150x150x3mm	€ 635 pcs
			St. 150x150x5mm	€ 1.124 pcs

FRONT PILLAR POSITION CHANGE

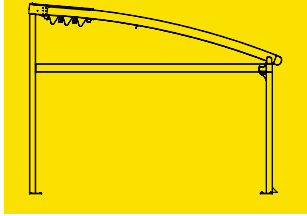
		C				
		500	550	600	650	700
B	400					
	500					
	600					
	700					
800						

(Construction price difference needs to be added. The deflection doesn't evaluate on this chart.)

	FRONT PILLAR	: Al. 100x100x3mm
	FRONT BEAM	: Al. 100x150x3mm
	FRONT PILLAR	: St. 100x100x3mm
	FRONT BEAM	: St. 100x150x3mm
	FRONT PILLAR	: St. 100x100x5mm
	FRONT BEAM	: St. 100x150x5mm

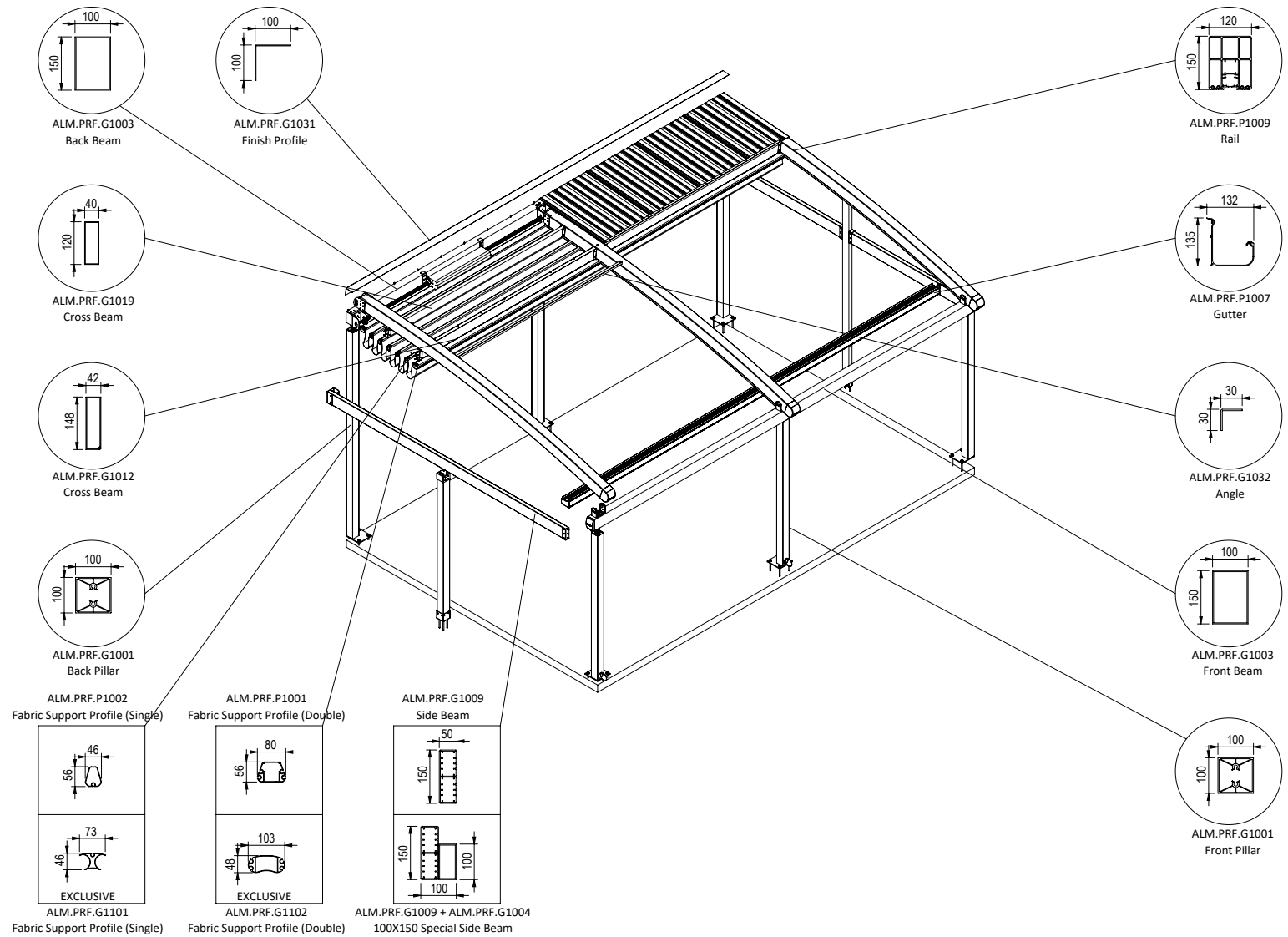
CORAL

Freestanding



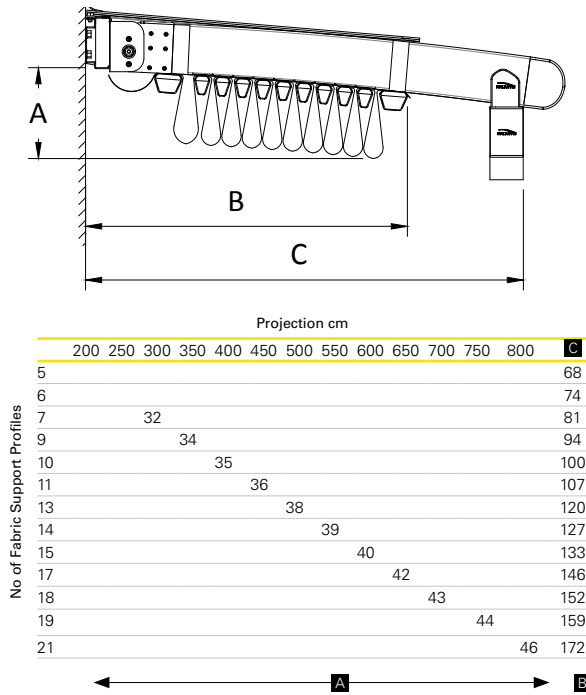
MAXIMUM DIMENSIONS

	WIDTH	PROJECTION
2 RAILS	400 cm	800 cm
3 RAILS	800 cm	800 cm
4 RAILS	1200 cm	800 cm
5 RAILS	1300 cm	700 cm



TECHNICAL FEATURES

COLLECTED FABRIC DIMENSIONS



*Calculated according to a slope of 15%

DRAINAGE CALCULATION

Type	Max. m ²
Full	39 m ² /pc
Half	18 m ² /pc

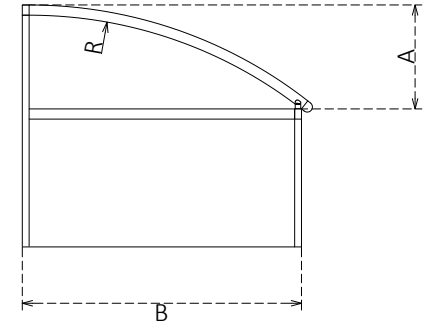
* per drainage

There should be at least one drainage, each 8 m length gutter.

RADIUS CHART

RADIUS	850	1500	2850
Projection	A		
250	63		
300	83		
350	107		
400	135	82	
450	168	98	
500		116	
550		137	
600		160	93
650		184	106
700			119
750			133
800			149

*The values are approx. ± 5 cm



WIND RESISTANCE

PROJECTION (cm)	WIDTH (cm)																	
	450	500	550	600	650	700	750	800	850	900	950	1000	1050	1100	1150	1200	1250	1300
400	11	11	11	11	10	10	9	9	11	11	10	10	10	10	9	9	10	10
450	11	11	11	11	10	9	9	8	11	11	10	10	9	9	9	8	10	10
500	11	11	11	10	9	8	8	8	11	10	9	9	8	8	8	8	9	9
550	11	10	10	10	9	8	8	7	10	10	9	9	8	8	8	7	9	9
600	10	10	10	9	8	7	7	7	10	9	8	8	7	7	7	7	8	8
650	9	9	9	8	8	7	7	7	9	8	8	8	7	7	7	7	8	8
700	9	9	8	8	7	7	7	7	9	8	7	7	7	7	7	7	7	7
750	8	8	7	7	7	7	7	7	8	7	7	7	7	7	7	7	7	7
800	8	7	7	7	7	7	7	7	7	7	7	7	7	7	7	7	7	7

All sides open

PROJECTION (cm)	WIDTH (cm)																	
	450	500	550	600	650	700	750	800	850	900	950	1000	1050	1100	1150	1200	1250	1300
400	11	10	10	10	9	8	8	8	10	10	9	9	8	8	8	8	9	9
450	10	10	10	10	9	8	8	8	10	10	9	9	8	8	8	8	9	9
500	10	10	9	9	8	8	8	8	10	9	8	8	8	8	8	8	8	8
550	9	9	9	9	7	7	7	7	9	9	7	7	7	7	7	7	7	7
600	9	8	8	8	7	7	7	7	8	8	7	7	7	7	7	7	7	7
650	8	8	7	7	7	7	7	7	8	7	7	7	7	7	7	7	7	7
700	7	7	7	7	7	7	7	7	7	7	7	7	7	7	7	7	7	7
750	7	7	7	7	7	7	7	7	7	7	7	7	7	7	7	7	7	7
800	7	7	7	7	7	7	7	7	7	7	7	7	7	7	7	7	7	7

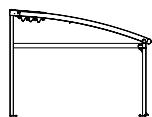
With side enclosure

*The values are given according to the Beaufort scale.

**Calculated for Products with a front height of 250 cm according to Eurocode EN 1991-1-4 Terrain Category 4.

*** You can ask for new calculations for special designs.

CORAL Freestanding



Projection	Width																				FS4	FS9-SPD		
	2 RAILS				3 RAILS								4 RAILS										5 RAILS	
	250 cm	300 cm	350 cm	400 cm	450 cm	500 cm	550 cm	600 cm	650 cm	700 cm	750 cm	800 cm	850 cm	900 cm	950 cm	1000 cm	1050 cm	1100 cm	1150 cm	1200 cm			1250 cm	1300 cm
200 cm	€ 8.430	€ 8.793	€ 9.476	€ 9.845	€ 11.845	€ 12.208	€ 12.577	€ 12.941	€ 13.624	€ 13.993	€ 14.418	€ 14.781	€ 16.481	€ 16.836	€ 17.503	€ 17.859	€ 18.209	€ 18.562	€ 18.912	€ 19.265	€ 21.675	€ 22.216	€ 1.082	€ 73
250 cm	€ 8.890	€ 9.440	€ 9.961	€ 10.340	€ 12.497	€ 12.871	€ 13.429	€ 13.803	€ 14.324	€ 14.698	€ 15.136	€ 15.691	€ 17.544	€ 17.913	€ 18.413	€ 18.779	€ 19.323	€ 19.687	€ 20.051	€ 20.414	€ 22.981	€ 23.531	€ 1.194	€ 100
300 cm	€ 9.556	€ 10.167	€ 10.741	€ 11.171	€ 13.535	€ 13.965	€ 14.576	€ 15.006	€ 15.580	€ 16.010	€ 16.502	€ 17.113	€ 19.171	€ 19.588	€ 20.151	€ 20.568	€ 21.165	€ 21.580	€ 22.002	€ 22.422	€ 25.190	€ 25.798	€ 1.306	€ 128
350 cm	€ 10.208	€ 10.654	€ 11.236	€ 11.858	€ 14.381	€ 14.822	€ 15.266	€ 15.887	€ 16.475	€ 16.915	€ 17.422	€ 18.044	€ 20.262	€ 20.692	€ 21.438	€ 21.874	€ 22.304	€ 22.734	€ 23.340	€ 23.771	€ 26.701	€ 27.146	€ 1.419	€ 156
400 cm	€ 10.685	€ 11.139	€ 11.736	€ 12.366	€ 15.054	€ 15.508	€ 15.968	€ 16.598	€ 17.195	€ 17.649	€ 18.165	€ 18.795	€ 21.182	€ 21.623	€ 22.381	€ 22.826	€ 23.270	€ 23.711	€ 24.332	€ 24.771	€ 27.868	€ 28.322	€ 1.531	€ 184
450 cm	€ 11.171	€ 11.639	€ 12.245	€ 12.890	€ 15.740	€ 16.208	€ 16.676	€ 17.316	€ 17.927	€ 18.392	€ 18.923	€ 19.568	€ 22.111	€ 22.565	€ 23.338	€ 23.792	€ 24.247	€ 24.701	€ 25.332	€ 25.787	€ 29.044	€ 29.509	€ 1.643	€ 212
500 cm	€ 11.649	€ 12.127	€ 12.749	€ 13.403	€ 16.420	€ 16.898	€ 17.376	€ 18.030	€ 18.651	€ 19.129	€ 19.669	€ 20.323	€ 23.038	€ 23.502	€ 24.286	€ 24.754	€ 25.218	€ 25.681	€ 26.326	€ 26.794	€ 30.216	€ 30.694	€ 1.756	€ 239
550 cm	€ 12.337	€ 13.044	€ 13.722	€ 14.430	€ 17.654	€ 18.190	€ 18.902	€ 19.413	€ 20.287	€ 20.818	€ 21.413	€ 22.120	€ 25.045	€ 25.744	€ 26.403	€ 26.923	€ 27.625	€ 28.142	€ 28.839	€ 29.360	€ 32.995	€ 33.702	€ 1.868	€ 267
600 cm	€ 13.401	€ 14.121	€ 14.809	€ 15.530	€ 18.917	€ 19.462	€ 20.187	€ 20.732	€ 21.596	€ 22.142	€ 22.748	€ 23.469	€ 26.556	€ 27.263	€ 28.079	€ 28.472	€ 29.184	€ 29.715	€ 30.421	€ 30.956	€ 34.753	€ 35.474	€ 1.981	€ 295
650 cm	€ 13.925	€ 14.655	€ 15.359	€ 16.088	€ 19.648	€ 20.201	€ 20.937	€ 21.492	€ 22.369	€ 22.924	€ 23.546	€ 24.282	€ 27.529	€ 28.256	€ 28.939	€ 29.484	€ 30.204	€ 30.744	€ 31.471	€ 32.016	€ 35.979	€ 36.710	€ 2.093	€ 323
700 cm	€ 14.452	€ 15.197	€ 15.909	€ 16.655	€ 20.380	€ 20.944	€ 21.693	€ 22.262	€ 23.799	€ 24.402	€ 25.072	€ 25.856	€ 30.037	€ 30.840	€ 30.828	€ 31.420	€ 32.195	€ 32.784	€ 33.559	€ 34.157	€ 38.323	€ 41.336	€ 2.205	€ 350
750 cm	€ 15.482	€ 16.236	€ 16.962	€ 17.717	€ 21.608	€ 22.187	€ 22.941	€ 24.134	€ 25.071	€ 25.692	€ 26.372	€ 27.165	€ 32.320	€ 33.173	€ 32.323	€ 32.931	€ 33.715	€ 34.322	€ 35.106	€ 35.714	€ 40.050		€ 2.318	€ 619
800 cm	€ 16.014	€ 16.779	€ 17.519	€ 18.282	€ 22.338	€ 22.933	€ 24.263	€ 24.898	€ 27.009	€ 27.716	€ 28.472	€ 29.343	€ 33.300	€ 34.163	€ 34.985	€ 35.675	€ 36.535	€ 37.229	€ 38.088	€ 38.774			€ 2.430	€ 647
FS3	€ 219	€ 230	€ 251	€ 276	€ 298	€ 321	€ 344	€ 367	€ 390	€ 413	€ 530	€ 553	€ 576	€ 599	€ 623	€ 646	€ 669	€ 692	€ 715	€ 737	€ 760	€ 783		
FS5-A	€ 40	€ 51	€ 60	€ 68	€ 79	€ 88	€ 98	€ 107	€ 118	€ 126	€ 137	€ 146	€ 156	€ 165	€ 176	€ 184	€ 195	€ 204	€ 214	€ 223	€ 234	€ 242		
FS5-E	€ 56	€ 70	€ 82	€ 94	€ 109	€ 121	€ 135	€ 147	€ 162	€ 174	€ 189	€ 201	€ 215	€ 227	€ 242	€ 254	€ 268	€ 280	€ 295	€ 307	€ 322	€ 334		

Side beam pillar is included in the price

FS3	Gutter System
FS5-A	Additional Fabric Support Profile (Standard)
FS5-E	Additional Fabric Support Profile (3 Axis)
FS4	Additional Rail - Al. - 120x150mm
FS8	Lighting System
FS9-SPD	Price difference between Al. 50x150mm to Al. 100x150mm Special side beam and Al. 50x100mm to Al. 100x100mm side beam pillar

FS8	
FS8-S	SPOT
FS8-L	LINEAR
FS8-E	3 AXIS ⁸
FS8-LR	LINEAR (RGB)
FS8-ER	3 AXIS (RGB) ⁸

LED TYPE & MODULE		
2 LED	3 LED	4 LED
€ 151	€ 183	€ 216
€ 216	€ 280	
€ 248	€ 323	
€ 274	€ 356	
€ 315	€ 409	

Notes:

- FS9- Side Beam (Al. 50x150mm) is included in the price for right and left side. For other option which is FS9-S (Al. 100x150mm) Special Side Beam is extra cost. The difference of the cost applies with FS9-SPD option code and for only one side of the pergola. If 100x150 mm aluminum box profile is preferred as side beam, there will be no price difference, but this should be stated in the technical drawing.
- If the projection is bigger than 700cm, a side beam pillar needs to be added up to rail (FS15 or FS15-B), FS15 Side Beam Pillar (Al. 50x100mm) included in the product price. FS15-B Side beam (Al. 100x100mm) included in FS9-SPD option.
- FS Flexy Plain/3D or Stam 6002 is included in the price.
- Motor and Remote control is included in the price.
- Palmiye Aluminium Coating Catalogue includes the standard colours with no extra cost. For any other type/brand/color of paint, price difference and additional delivery duration shall be checked from your customer representative.
- Standard fabric support profile plastic colours are specified in Palmiye Aluminium Coating Catalogue.
- In pergolas including steel front pillars, if gutter option is preferred, external water drainage points will be specified according to the Project and will be priced additionally.
- 3 AXIS lights available only at exclusive fabric option.

DEDUCTIONS

Price deduction is applicable only for pillars and beam. Deduction amount shall be consider as 70% of related option price.

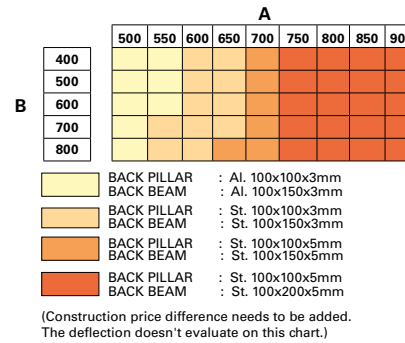
OPTIONS

FS10	Extra pillar (100x100mm Al.)	€ 500	pcs
FS10-ST3	Extra pillar (100x100x3mm St.)	€ 479	pcs
FS10-ST5	Extra pillar (100x100x5mm St.)	€ 698	pcs
FS11	Deco ceiling cover	€ 66	m ²
FS15	Side beam pillar (50x100mm - Al)	€ 259	pcs
FS15-B	Side beam pillar (100x100mm - Al)	€ 500	pcs
FS19	Fix louver	€ 68	lm
FS23	External Square Downpipe	€ 306	pcs
FS24	W96 Ceiling Cover	€ 76	m ²
FS26	Exclusive fabric difference (up to 800cm width)	€ 45	m ²
FS27	3 Axis lighting fabric support profile difference	€ 13	m ²
FS29-1	Sun Sensor (SUNIS) (for single motor)	€ 567	pcs
FS29-1S	Sun Sensor (SUNIS) (for synchronized motor)	€ 903	pcs
FS29-2	Wind Sensor (EOLIS RTS) (for single motor)	€ 267	pcs
FS29-2S	Wind Sensor (EOLIS RTS) (for synchronized motor)	€ 600	pcs
FS29-3	Sun and Wind Sensor (SOLIRIS RTS) (for single motor)	€ 302	pcs
FS29-3S	Sun and Wind Sensor (SOLIRIS RTS) (for synchronized motor)	€ 635	pcs
FS29-4 ^{2/3}	Rain Sensor (ONDEIS) (for single motor)	€ 524	pcs
FS29-4S ^{2/3}	Rain Sensor (ONDEIS) (for synchronized motor)	€ 856	pcs
FS30	CONNEXOON	€ 479	pcs

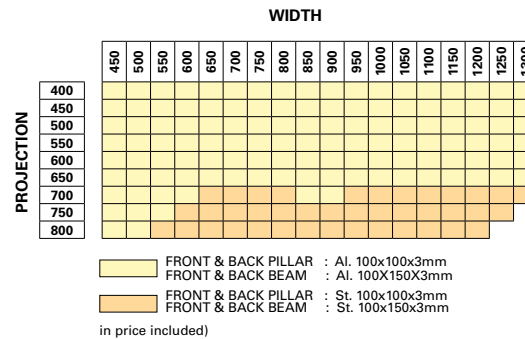
Notes:

1. Fabric support profiles can be painted in the same color as the general construction. No fee is paid for this process. However, the plastic color should be specified from our standard plastic colours in Palmiye Color Chart.
2. For one product, a dry contact transmitter costing 337€, must be added.
3. Up to 5 products, a RS485 Automation interface dry contact transmitter costing 1027€, must be added.
4. Exclusive fabric option can only be selected together with 3 axis fabric support profile. Price difference for 3 axis fabric profile should be added.

BACK PILLAR POSITION CHANGE



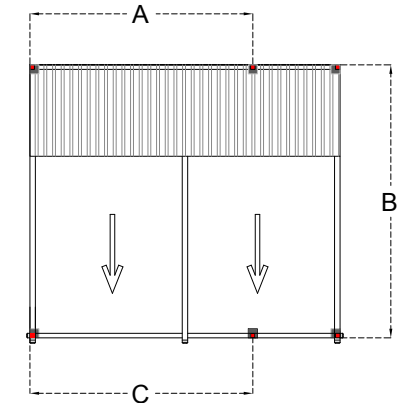
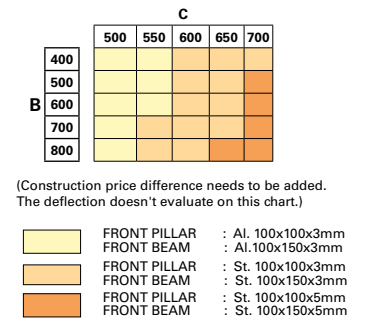
STANDARD CONSTRUCTION



EXTENSIONS

Rail	- 120x150mm	€ 308	lm
Beam	Al. 100x150mm	€ 141	lm
Beam	St. 100x150x3mm	€ 292	lm
Beam	St. 100x150x5mm	€ 354	lm
Beam	St. 100x200x3mm	€ 296	lm
Beam	St. 100x200x5mm	€ 421	lm
Fabric protection cover	Al. - 63x__cm	€ 55	m ²
Gutter	Special Profile	€ 41	lm
Pillar	Al. 100x100mm	€ 158	lm
Pillar	St. 100x100x3mm	€ 198	lm
Pillar	St. 100x100x5mm	€ 354	lm
Pillar	St. 150x150x3mm	€ 401	lm
Pillar	St. 150x150x5mm	€ 562	lm

FRONT PILLAR POSITION CHANGE



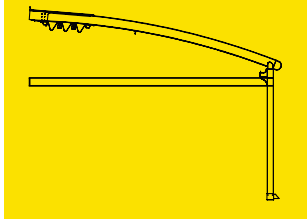
PRICE DIFFERENCE

		BEAM GROUP	
		Standard	Al. 100x150mm
Beam	to	St. 100x150x3mm	€ 146 lm
		St. 100x150x5mm	€ 217 lm
		St. 100x200x3mm	€ 150 lm
		St. 100x200x5mm	€ 283 lm
		PILLAR GROUP	
		Standard	Al. 100x100mm
Pillar	to	St. 100x100x3mm	€ 101 pcs
		St. 100x100x5mm	€ 416 pcs
		St. 150x150x3mm	€ 635 pcs
		St. 150x150x5mm	€ 1.124 pcs

- *Max. Al. Front pillar (Al. 100x100mm) height is 280cm
- *Max. St 3mm. Front pillar (St. 100x100x3mm) height is 380cm
- *Max. St. 5mm Front pillar (St. 100x100x5mm) height is 480cm

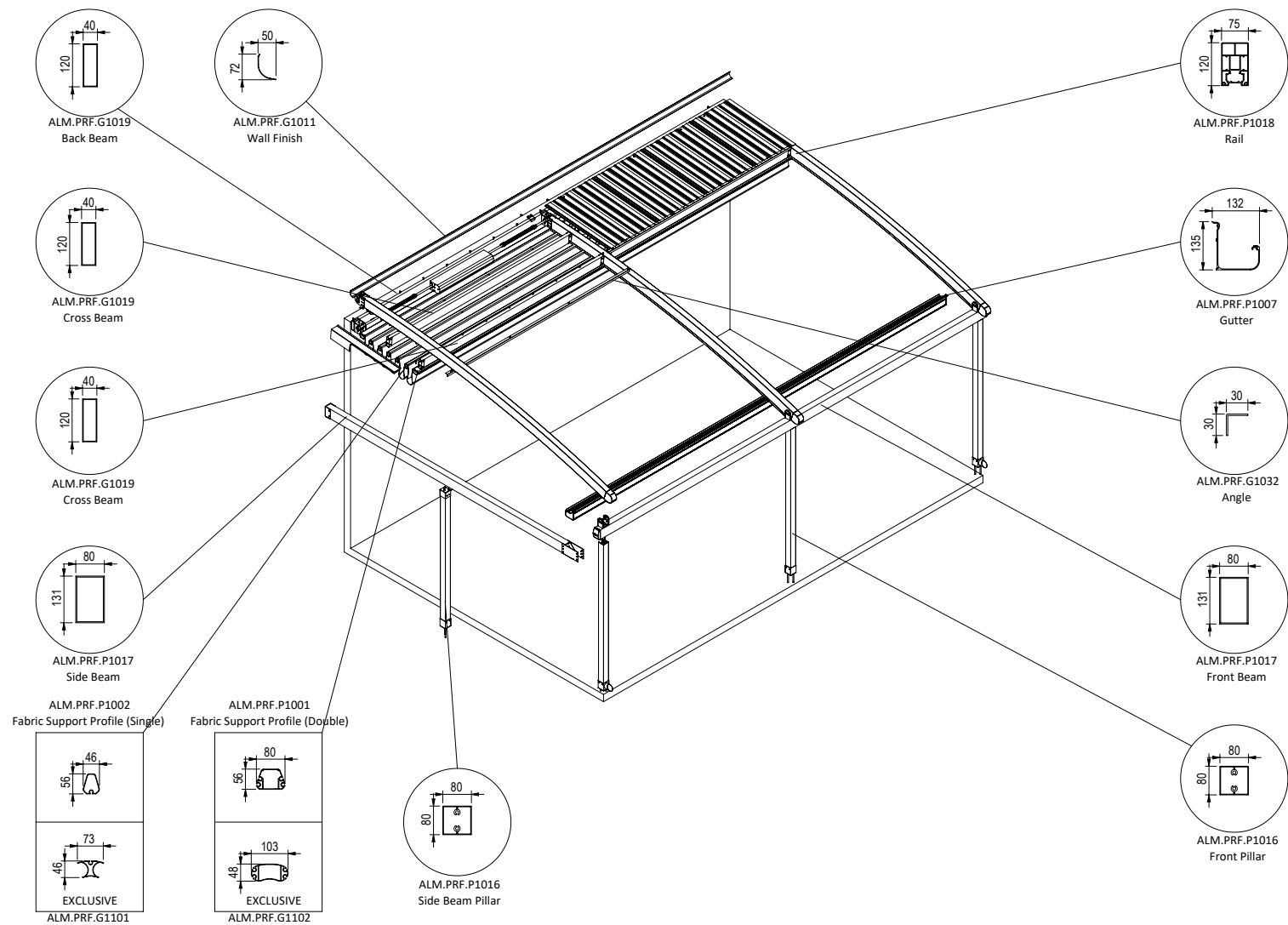
CORAL

Compact Wall / Ceiling



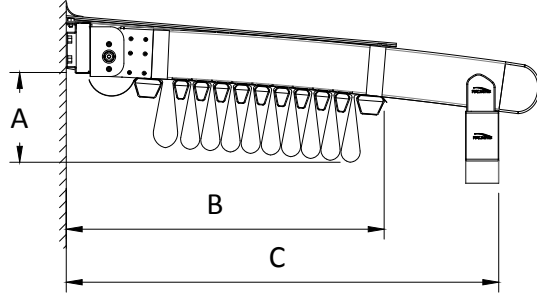
MAXIMUM DIMENSIONS

	WIDTH	PROJECTION
2 RAILS	400 cm	600 cm
3 RAILS	800 cm	600 cm
4 RAILS	1200 cm	600 cm
5 RAILS	1300 cm	600 cm



TECHNICAL FEATURES

COLLECTED FABRIC DIMENSIONS



DRAINAGE CALCULATION

Type	Max. m ²
Compact	30 m ² /pc

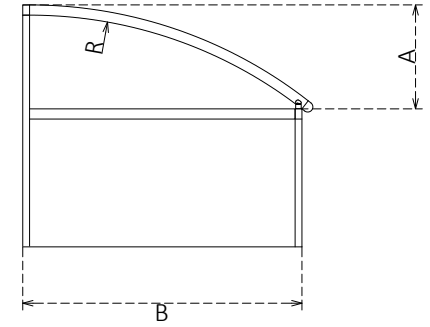
* per drainage

There should be at least one drainage, each 8 m length gutter.

RADIUS CHART

RADIUS	850	1500	2850
Projection	A		
250	63		
300	83		
350	107		
400	135	82	
450	168	98	
500		116	
550		137	
600		160	93

*The values are approx. ± 5 cm



Projection cm		
	200 250 300 350 400 450 500 550 600	C
5	30	68
6	31	74
7	32	81
9	34	94
10	35	100
11	36	107
13	38	120
14	39	126
15	40	133

*Calculated according to a slope of 15%

WIND RESISTANCE

PROJECTION (cm)	WIDTH (cm)																	
	450	500	550	600	650	700	750	800	850	900	950	1000	1050	1100	1150	1200	1250	1300
400	11	11	11	11	11	11	11	11	11	11	11	11	11	11	11	11	11	11
450	11	11	11	11	11	11	10	10	11	11	11	11	11	11	10	10	11	11
500	11	11	10	10	10	10	10	9	11	10	10	10	10	10	10	9	10	10
550	10	10	10	10	10	9	9	9	10	10	10	10	9	9	9	9	10	10
600	10	10	10	9	9	9	8	8	10	9	9	9	9	9	8	8	9	9

All sides open

PROJECTION (cm)	WIDTH (cm)																	
	450	500	550	600	650	700	750	800	850	900	950	1000	1050	1100	1150	1200	1250	1300
400	11	10	10	10	10	10	10	10	10	10	10	10	10	10	10	10	10	10
450	10	10	10	10	10	10	9	9	10	10	10	10	10	10	9	9	10	10
500	10	9	9	9	9	9	9	8	9	9	9	9	9	9	8	8	9	9
550	9	9	9	9	9	8	8	8	9	9	9	9	8	8	8	8	9	9
600	9	9	9	8	8	8	8	7	9	8	8	8	8	8	7	8	8	8

With side enclosure

*The values are given according to the Beaufort scale.

**Calculated for Products with a front height of 250 cm according to Eurocode EN 1991-1-4 Terrain Category 4.

*** You can ask for new calculations for special designs.

CORAL Compact Wall / Ceiling



Width
Projection

Projection	2 RAILS				3 RAILS								4 RAILS								5 RAILS		FS4 FS10-C	FS9-C
	250 cm	300 cm	350 cm	400 cm	450 cm	500 cm	550 cm	600 cm	650 cm	700 cm	750 cm	800 cm	850 cm	900 cm	950 cm	1000 cm	1050 cm	1100 cm	1150 cm	1200 cm	1250 cm	1300 cm		
200 cm	€ 5.623	€ 5.898	€ 6.434	€ 6.714	€ 7.926	€ 8.201	€ 8.479	€ 8.754	€ 9.287	€ 9.565	€ 9.889	€ 10.164	€ 11.129	€ 11.397	€ 11.914	€ 12.180	€ 12.443	€ 12.706	€ 12.969	€ 13.232	€ 14.767	€ 15.181	€ 1.255	€ 183
250 cm	€ 5.919	€ 6.345	€ 6.748	€ 7.035	€ 8.373	€ 8.657	€ 9.089	€ 9.370	€ 9.772	€ 10.053	€ 10.388	€ 10.816	€ 11.904	€ 12.182	€ 12.564	€ 12.837	€ 13.256	€ 13.529	€ 13.800	€ 14.072	€ 15.731	€ 16.151	€ 1.348	€ 219
300 cm	€ 6.379	€ 6.854	€ 7.300	€ 7.627	€ 9.131	€ 9.459	€ 9.934	€ 10.261	€ 10.704	€ 11.031	€ 11.407	€ 11.880	€ 13.131	€ 13.447	€ 13.879	€ 14.195	€ 14.654	€ 14.966	€ 15.284	€ 15.601	€ 17.419	€ 17.885	€ 1.441	€ 258
350 cm	€ 6.828	€ 7.170	€ 7.621	€ 8.104	€ 9.734	€ 10.070	€ 10.408	€ 10.890	€ 11.342	€ 11.677	€ 12.066	€ 12.546	€ 13.925	€ 14.251	€ 14.830	€ 15.159	€ 15.484	€ 15.808	€ 16.274	€ 16.597	€ 18.544	€ 18.879	€ 1.534	€ 295
400 cm	€ 7.134	€ 7.482	€ 7.945	€ 8.433	€ 10.195	€ 10.541	€ 10.891	€ 11.378	€ 11.841	€ 12.185	€ 12.580	€ 13.066	€ 14.580	€ 14.913	€ 15.501	€ 15.837	€ 16.173	€ 16.504	€ 16.982	€ 17.312	€ 19.391	€ 19.733	€ 1.625	€ 334
450 cm	€ 7.448	€ 7.805	€ 8.274	€ 8.776	€ 10.666	€ 11.023	€ 11.380	€ 11.875	€ 12.346	€ 12.699	€ 13.106	€ 13.602	€ 15.239	€ 15.584	€ 16.183	€ 16.527	€ 16.868	€ 17.211	€ 17.696	€ 18.037	€ 20.243	€ 20.591	€ 1.718	€ 370
500 cm	€ 7.754	€ 8.119	€ 8.600	€ 9.107	€ 11.130	€ 11.496	€ 11.859	€ 12.365	€ 12.844	€ 13.206	€ 13.619	€ 14.123	€ 15.897	€ 16.248	€ 16.856	€ 17.209	€ 17.559	€ 17.908	€ 18.403	€ 18.754	€ 21.088	€ 21.448	€ 1.811	€ 409
550 cm	€ 8.228	€ 8.778	€ 9.304	€ 9.853	€ 12.040	€ 12.450	€ 13.001	€ 13.391	€ 14.072	€ 14.478	€ 14.934	€ 15.480	€ 17.419	€ 17.957	€ 18.464	€ 18.858	€ 19.398	€ 19.789	€ 20.323	€ 20.718	€ 23.218	€ 23.760	€ 1.904	€ 446
600 cm	€ 8.546	€ 9.104	€ 9.638	€ 10.197	€ 12.513	€ 12.930	€ 13.491	€ 13.908	€ 14.580	€ 14.997	€ 15.461	€ 16.016	€ 18.085	€ 18.628	€ 19.260	€ 19.552	€ 20.098	€ 20.499	€ 21.042	€ 21.446	€ 24.074	€ 24.625	€ 1.997	€ 485
FS3	€ 219	€ 230	€ 251	€ 276	€ 298	€ 321	€ 344	€ 367	€ 390	€ 413	€ 530	€ 553	€ 576	€ 599	€ 623	€ 646	€ 669	€ 692	€ 715	€ 737	€ 760	€ 783		
FS5-A	€ 40	€ 51	€ 60	€ 68	€ 79	€ 88	€ 98	€ 107	€ 118	€ 126	€ 137	€ 146	€ 156	€ 165	€ 176	€ 184	€ 195	€ 204	€ 214	€ 223	€ 234	€ 242		
FS5-E	€ 56	€ 70	€ 82	€ 94	€ 109	€ 121	€ 135	€ 147	€ 162	€ 174	€ 189	€ 201	€ 215	€ 227	€ 242	€ 254	€ 268	€ 280	€ 295	€ 307	€ 322	€ 334		

FS3	Gutter System
FS5-A	Additional Fabric Support Profile (Standard)
FS5-E	Additional Fabric Support Profile (3 Axis)
FS4 FS10-C	Additional Rail for Compact Series- Al.- 75x120mm Additional Pillar for Compact Series- Al.- 80x80mm
FS8	Lighting System
FS9-C	Side Beam for Compact Series- Al.- 80x130mm

FS8	
FS8-S	SPOT
FS8-L	LINEAR
FS8-E	3 AXIS ⁷
FS8-LR	LINEAR (RGB)
FS8-ER	3 AXIS (RGB) ⁷

LEDTYPE & MODULE		
2 LED	3 LED	4 LED
€ 151	€ 183	€ 216
€ 216	€ 280	
€ 248	€ 323	
€ 274	€ 356	
€ 315	€ 409	

Notes:

- Any side beam is not included in the price.
- FS Flexy Plain/3D or Stam 6002 is included in the price.
- Motor and Remote control is included in the price.
- Palmiye Aluminium Coating Catalogue includes the standard colours with no extra cost. For any other type/brand/color of paint, price difference and additional delivery duration shall be checked from your customer representative.
- Standard fabric support profile plastic colours are specified in Palmiye Aluminium Coating Catalogue.
- If you use an additional rail you have to add a front pillar. It's included in the price. (FS4+FS10-C)
- 3 AXIS lights available only at exclusive fabric option.

DEDUCTIONS

Price deduction is applicable only for pillars and beam. Deduction amount shall be consider as 70% of related option price.

OPTIONS

FS10-C	Extra pillar (80x80mm Al.)	€ 368	pcs
FS10	Extra pillar (100x100mm Al.)	€ 500	pcs
FS10-ST3	Extra pillar (100x100x3mm St.)	€ 479	pcs
FS10-ST5	Extra pillar (100x100x5mm St.)	€ 698	pcs
FS11	Deco ceiling cover	€ 66	m ²
FS15-C	Side beam pillar (80x80mm - Al)	€ 368	pcs
FS19	Fix louver	€ 68	lm
FS23	External Square Downpipe	€ 306	pcs
FS24	W96 Ceiling Cover	€ 76	m ²
FS26	Exclusive fabric difference (up to 800cm width)	€ 45	m ²
FS27	3 Axis lighting fabric support profile difference	€ 13	m ²
FS29-1	Sun Sensor (SUNIS) (for single motor)	€ 567	pcs
FS29-1S	Sun Sensor (SUNIS) (for synchronized motor)	€ 903	pcs
FS29-2	Wind Sensor (EOLIS RTS) (for single motor)	€ 267	pcs
FS29-2S	Wind Sensor (EOLIS RTS) (for synchronized motor)	€ 600	pcs
FS29-3	Sun and Wind Sensor (SOLIRIS RTS) (for single motor)	€ 302	pcs
FS29-3S	Sun and Wind Sensor (SOLIRIS RTS) (for synchronized motor)	€ 635	pcs
FS29-4 ^{2/3}	Rain Sensor (ONDEIS) (for single motor)	€ 524	pcs
FS29-4S ^{2/3}	Rain Sensor (ONDEIS) (for synchronized motor)	€ 856	pcs
FS30	CONNEXOON	€ 479	pcs

Notes:

1. Fabric support profiles can be painted in the same color as the general construction. No fee is paid for this process. However, the plastic color should be specified from our standard plastic colours in Palmiye Color Chart.
2. For one product, a dry contact transmitter costing 337€, must be added.
3. Up to 5 products, a RS485 Automation interface dry contact transmitter costing 1027€, must be added.
4. Exclusive fabric option can only be selected together with 3 axis fabric support profile. Price difference for 3 axis fabric profile should be added.

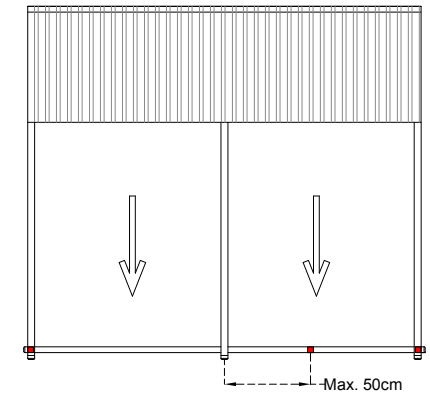
EXTENSIONS

Rail	Compact - 75x120mm	€ 188	lm
Beam	Al. 40x120mm	€ 61	lm
Beam	Al. 42x150mm	€ 96	lm
Beam	Al. 50x150mm	€ 169	lm
Beam	Al. 80x130mm	€ 90	lm
Beam	Al. 100x150mm	€ 141	lm
Beam	St. 100x150x3mm	€ 292	lm
Beam	St. 100x150x5mm	€ 354	lm
Beam	St. 100x200x3mm	€ 296	lm
Beam	St. 100x200x5mm	€ 421	lm
Fabric protection cover	Al. - 63x___cm	€ 55	m ²
Gutter	Special Profile	€ 41	lm
Pillar	Al. 80x80mm	€ 83	lm
Pillar	Al. 100x100mm	€ 158	lm
Pillar	St. 100x100x3mm	€ 198	lm
Pillar	St. 100x100x5mm	€ 354	lm
Pillar	St. 150x150x3mm	€ 401	lm
Pillar	St. 150x150x5mm	€ 562	lm

*Max. Al. Front pillar (Al. 80x80mm) height is 280cm

*Max. St 3mm. Front pillar (St. 100x100x3mm) height is 380cm

*Max. St. 5mm Front pillar (St. 100x100x5mm) height is 480cm



Middle front pillars can only be moved max. 50 cm towards right or left side.

PRICE DIFFERENCE

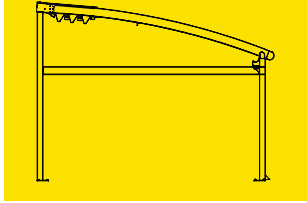
		BEAM GROUP		
		Standard	Al. 40x120mm	
Back Beam	to		Al. 42x150mm	€ 36 lm
			Al. 50x150mm	€ 111 lm
			Al. 80x130mm	€ 29 lm
			St. 50x150x3mm	€ 142 lm
			St. 50x150x5mm	€ 223 lm
			Al. 100x150mm	€ 81 lm
			St. 100x150x3mm	€ 239 lm
			St. 100x150x5mm	€ 307 lm
			St. 100x200x3mm	€ 243 lm
			St. 100x200x5mm	€ 374 lm

		Standard	Al. 80x130mm	
Front Beam	to		Al. 100x150mm	€ 52 lm
			St. 100x150x3mm	€ 214 lm
			St. 100x150x5mm	€ 285 lm
			St. 100x200x3mm	€ 218 lm
			St. 100x200x5mm	€ 351 lm

		PILLAR GROUP		
		Standard	Al. 80x80mm	
Front Pillar	to		Al. 100x100mm	€ 130 pcs
			St. 100x100x3mm	€ 270 pcs
			St. 100x100x5mm	€ 585 pcs
			St. 150x150x3mm	€ 804 pcs
			St. 150x150x5mm	€ 1.292 pcs

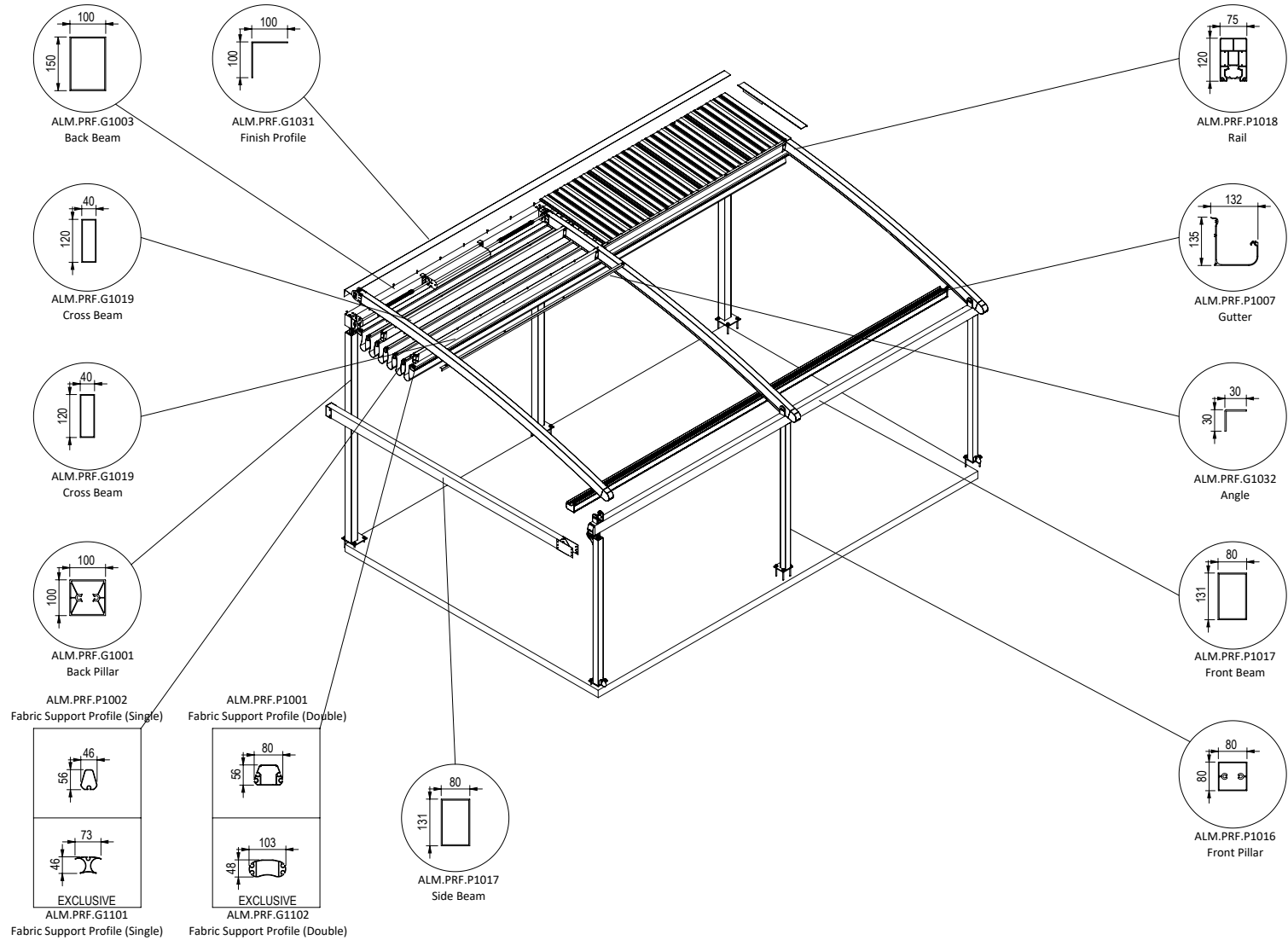
CORAL

Compact Freestanding



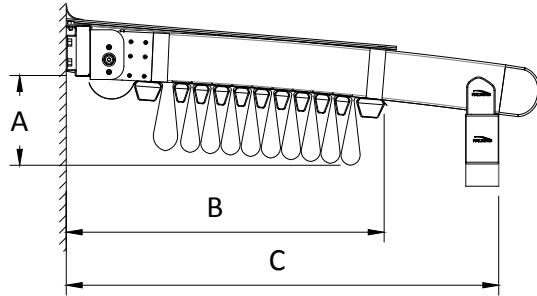
MAXIMUM DIMENSIONS

	WIDTH	PROJECTION
2 RAILS	400 cm	600 cm
3 RAILS	800 cm	600 cm
4 RAILS	1200 cm	600 cm
5 RAILS	1300 cm	600 cm



TECHNICAL FEATURES

COLLECTED FABRIC DIMENSIONS



DRAINAGE CALCULATION

Type	Max. m ²
Compact	30 m ² /pc

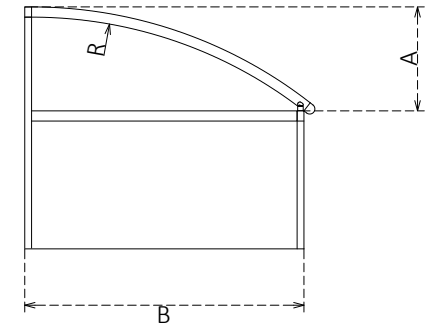
* per drainage

There should be at least one drainage, each 8 m length gutter.

RADIUS CHART

RADIUS	850	1500	2850	
Projection	A			B
250	63			
300	83			
350	107			
400	135	82		
450	168	98		
500		116		
550		137		
600		160	93	

*The values are approx. ± 5 cm



No of Fabric Support Profiles	Projection cm									
	200	250	300	350	400	450	500	550	600	C
5	31									73
6		32								79
7			33							86
9				35						99
10					36					105
11						37				112
13							39			125
14								40		131
15									41	138

*Calculated according to a slope of 15%

WIND RESISTANCE

PROJECTION (cm)	WIDTH (cm)																	
	450	500	550	600	650	700	750	800	850	900	950	1000	1050	1100	1150	1200	1250	1300
400	11	11	11	10	10	9	8	8	11	10	10	10	9	9	8	8	10	10
450	11	10	10	9	9	8	7	7	10	9	9	9	8	8	7	7	9	9
500	10	9	9	8	8	7	7	7	9	8	8	8	7	7	7	7	8	8
550	10	9	8	8	8	6	6	6	9	8	8	8	6	6	6	6	8	8
600	9	8	8	7	7	6	6	6	8	7	7	7	6	6	6	6	7	7

All sides open

PROJECTION (cm)	WIDTH (cm)																	
	450	500	550	600	650	700	750	800	850	900	950	1000	1050	1100	1150	1200	1250	1300
400	10	10	10	10	9	8	8	8	10	10	9	9	8	8	8	8	9	9
450	10	10	9	9	9	8	8	7	10	9	9	9	8	8	8	7	9	9
500	9	9	9	9	9	7	7	7	9	9	9	9	7	7	7	7	9	9
550	9	9	9	9	8	7	7	7	9	9	8	8	7	7	7	7	8	8
600	9	9	9	9	8	7	7	7	9	9	8	8	7	7	7	7	8	8

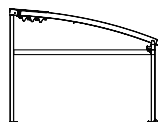
With side enclosure

*The values are given according to the Beaufort scale.

**Calculated for Products with a front height of 250 cm according to Eurocode EN 1991-1-4 Terrain Category 4.

*** You can ask for new calculations for special designs.

CORAL Compact Freestanding



Projection	2 RAILS				3 RAILS								4 RAILS							5 RAILS		FS4 FS10-C	
	250 cm	300 cm	350 cm	400 cm	450 cm	500 cm	550 cm	600 cm	650 cm	700 cm	750 cm	800 cm	850 cm	900 cm	950 cm	1000 cm	1050 cm	1100 cm	1150 cm	1200 cm	1250 cm		1300 cm
200 cm	€ 7.038	€ 7.333	€ 7.890	€ 8.190	€ 9.903	€ 10.198	€ 10.496	€ 10.792	€ 11.345	€ 11.644	€ 11.989	€ 12.284	€ 13.746	€ 14.036	€ 14.575	€ 14.860	€ 15.144	€ 15.427	€ 15.711	€ 15.995	€ 18.028	€ 18.464	€ 1.255
250 cm	€ 7.405	€ 7.853	€ 8.277	€ 8.584	€ 10.421	€ 10.725	€ 11.177	€ 11.479	€ 11.901	€ 12.204	€ 12.559	€ 13.008	€ 14.593	€ 14.892	€ 15.296	€ 15.589	€ 16.030	€ 16.322	€ 16.615	€ 16.906	€ 19.065	€ 19.506	€ 1.348
300 cm	€ 7.942	€ 8.436	€ 8.903	€ 9.251	€ 11.253	€ 11.604	€ 12.098	€ 12.445	€ 12.910	€ 13.259	€ 13.653	€ 14.146	€ 15.898	€ 16.232	€ 16.685	€ 17.023	€ 17.502	€ 17.834	€ 18.173	€ 18.511	€ 20.829	€ 21.314	€ 1.441
350 cm	€ 8.462	€ 8.826	€ 9.296	€ 9.798	€ 11.927	€ 12.286	€ 12.644	€ 13.144	€ 13.617	€ 13.975	€ 14.383	€ 14.884	€ 16.762	€ 17.109	€ 17.709	€ 18.057	€ 18.403	€ 18.748	€ 19.235	€ 19.577	€ 22.025	€ 22.379	€ 1.534
400 cm	€ 8.841	€ 9.213	€ 9.695	€ 10.204	€ 12.464	€ 12.833	€ 13.203	€ 13.709	€ 14.193	€ 14.557	€ 14.973	€ 15.481	€ 17.492	€ 17.845	€ 18.455	€ 18.813	€ 19.169	€ 19.519	€ 20.019	€ 20.368	€ 22.946	€ 23.309	€ 1.625
450 cm	€ 9.229	€ 9.605	€ 10.096	€ 10.618	€ 13.007	€ 13.385	€ 13.761	€ 14.277	€ 14.770	€ 15.143	€ 15.570	€ 16.087	€ 18.224	€ 18.590	€ 19.208	€ 19.574	€ 19.934	€ 20.297	€ 20.803	€ 21.166	€ 23.871	€ 24.238	€ 1.718
500 cm	€ 9.610	€ 9.996	€ 10.497	€ 11.025	€ 13.548	€ 13.933	€ 14.315	€ 14.843	€ 15.342	€ 15.726	€ 16.159	€ 16.683	€ 18.956	€ 19.328	€ 19.957	€ 20.330	€ 20.700	€ 21.069	€ 21.585	€ 21.956	€ 24.790	€ 25.170	€ 1.811
550 cm	€ 10.157	€ 10.725	€ 11.272	€ 11.843	€ 14.530	€ 14.960	€ 15.531	€ 15.939	€ 16.642	€ 17.068	€ 17.545	€ 18.112	€ 20.551	€ 21.110	€ 21.637	€ 22.051	€ 22.610	€ 23.021	€ 23.579	€ 23.992	€ 26.993	€ 27.555	€ 1.904
600 cm	€ 10.549	€ 11.127	€ 11.682	€ 12.262	€ 15.076	€ 15.514	€ 16.096	€ 16.533	€ 17.226	€ 17.663	€ 18.150	€ 18.724	€ 21.291	€ 21.854	€ 22.507	€ 22.819	€ 23.387	€ 23.807	€ 24.371	€ 24.796	€ 27.922	€ 28.494	€ 1.997
FS3	€ 219	€ 230	€ 251	€ 276	€ 298	€ 321	€ 344	€ 367	€ 390	€ 413	€ 530	€ 553	€ 576	€ 599	€ 623	€ 646	€ 669	€ 692	€ 715	€ 737	€ 760	€ 783	
FS5-A	€ 40	€ 51	€ 60	€ 68	€ 79	€ 88	€ 98	€ 107	€ 118	€ 126	€ 137	€ 146	€ 156	€ 165	€ 176	€ 184	€ 195	€ 204	€ 214	€ 223	€ 234	€ 242	
FS5-E	€ 56	€ 70	€ 82	€ 94	€ 109	€ 121	€ 135	€ 147	€ 162	€ 174	€ 189	€ 201	€ 215	€ 227	€ 242	€ 254	€ 268	€ 280	€ 295	€ 307	€ 322	€ 334	

FS3	Gutter System
FS5-A	Additional Fabric Support Profile (Standard)
FS5-E	Additional Fabric Support Profile (3 Axis)
FS4 FS10-C	Additional Rail for Compact Series- Al.- 75x120mm Additional Pillar for Compact Series- Al.- 80x80mm
FS8	Lighting System

FS3	Gutter System
FS5-A	Additional Fabric Support Profile (Standard)
FS5-E	Additional Fabric Support Profile (3 Axis)
FS4 FS10-C	Additional Rail for Compact Series- Al.- 75x120mm Additional Pillar for Compact Series- Al.- 80x80mm
FS8	Lighting System

FS8	
FS8-S	SPOT
FS8-L	LINEAR
FS8-E	3 AXIS ⁸
FS8-LR	LINEAR (RGB)
FS8-ER	3 AXIS (RGB) ⁸

LED TYPE & MODULE		
2 LED	3 LED	4 LED
€ 151	€ 183	€ 216
€ 216	€ 280	
€ 248	€ 323	
€ 274	€ 356	
€ 315	€ 409	

Notes:

1. FS9-C- Side Beam (Al. 80x130mm) is included in the price for right and left side.
2. FS Flexy Plain/3D or Stam 6002 is included in the price.
3. Motor and Remote control is included in the price.
4. Palmiye Aluminium Coating Catalogue includes the standard colours with no extra cost. For any other type/brand/color of paint, price difference and additional delivery duration shall be checked from your customer representative.
5. Standard fabric support profile plastic colours are specified in Palmiye Aluminium Coating Catalogue.
6. If you use an additional rail you have to add a front pillar. It's included in the price. (FS4+FS10-C)
7. In pergolas including steel front pillars, if gutter option is preferred, external water drainage points will be specified according to the Project and will be priced additionally.
8. 3 AXIS lights available only at exclusive fabric option.

DEDUCTIONS

Price deduction is applicable only for pillars and beam. Deduction amount shall be consider as 70% of related option price.

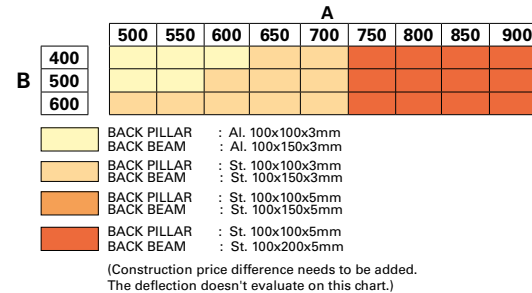
OPTIONS

FS10-C	Extra pillar (80x80mm Al.)	€ 368	pcs
FS10	Extra pillar (100x100mm Al.)	€ 500	pcs
FS10-ST3	Extra pillar (100x100x3mm St.)	€ 479	pcs
FS10-ST5	Extra pillar (100x100x5mm St.)	€ 698	pcs
FS11	Deco ceiling cover	€ 66	m ²
FS15-C	Side beam pillar (80x80mm - Al)	€ 368	pcs
FS19	Fix louver	€ 68	lm
FS23	External Square Downpipe	€ 306	pcs
FS24	W96 Ceiling Cover	€ 76	m ²
FS26	Exclusive fabric difference (up to 800cm width)	€ 45	m ²
FS27	3 Axis lighting fabric support profile difference	€ 13	m ²
FS29-1	Sun Sensor (SUNIS) (for single motor)	€ 567	pcs
FS29-1S	Sun Sensor (SUNIS) (for synchronized motor)	€ 903	pcs
FS29-2	Wind Sensor (EOLIS RTS) (for single motor)	€ 267	pcs
FS29-2S	Wind Sensor (EOLIS RTS) (for synchronized motor)	€ 600	pcs
FS29-3	Sun and Wind Sensor (SOLIRIS RTS) (for single motor)	€ 302	pcs
FS29-3S	Sun and Wind Sensor (SOLIRIS RTS) (for synchronized motor)	€ 635	pcs
FS29-4 ^{2/3}	Rain Sensor (ONDEIS) (for single motor)	€ 524	pcs
FS29-4S ^{2/3}	Rain Sensor (ONDEIS) (for synchronized motor)	€ 856	pcs
FS30	CONNEXOON	€ 479	pcs

Notes:

1. Fabric support profiles can be painted in the same color as the general construction. No fee is paid for this process. However, the plastic color should be specified from our standard plastic colours in Palmiye Color Chart.
2. For one product, a dry contact transmitter costing 337€, must be added.
3. Up to 5 products, a RS485 Automation interface dry contact transmitter costing 1027€, must be added.
4. Exclusive fabric option can only be selected together with 3 axis fabric support profile. Price difference for 3 axis fabric profile should be added.

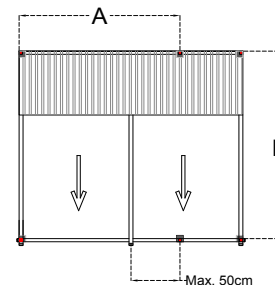
BACK PILLAR POSITION CHANGE



EXTENSIONS

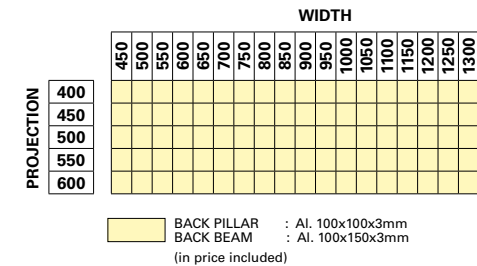
Rail	Compact - 75x120mm	€ 188	lm
Beam	Al. 80x130mm	€ 90	lm
Beam	Al. 100x150mm	€ 141	lm
Beam	St. 100x150x3mm	€ 292	lm
Beam	St. 100x150x5mm	€ 354	lm
Beam	St. 100x200x3mm	€ 296	lm
Beam	St. 100x200x5mm	€ 421	lm
Fabric protection cover	Al. - 63x__cm	€ 55	m ²
Gutter	Special Profile	€ 41	lm
Pillar	Al. 80x80mm	€ 83	lm
Pillar	Al. 100x100mm	€ 158	lm
Pillar	St. 100x100x3mm	€ 198	lm
Pillar	St. 100x100x5mm	€ 354	lm
Pillar	St. 150x150x3mm	€ 401	lm
Pillar	St. 150x150x5mm	€ 562	lm

- *Max. Al. Front pillar (Al. 80x80mm) height is 280cm
- *Max. St 3mm. Front pillar (St. 100x100x3mm) height is 380cm
- *Max. St. 5mm Front pillar (St. 100x100x5mm) height is 480cm



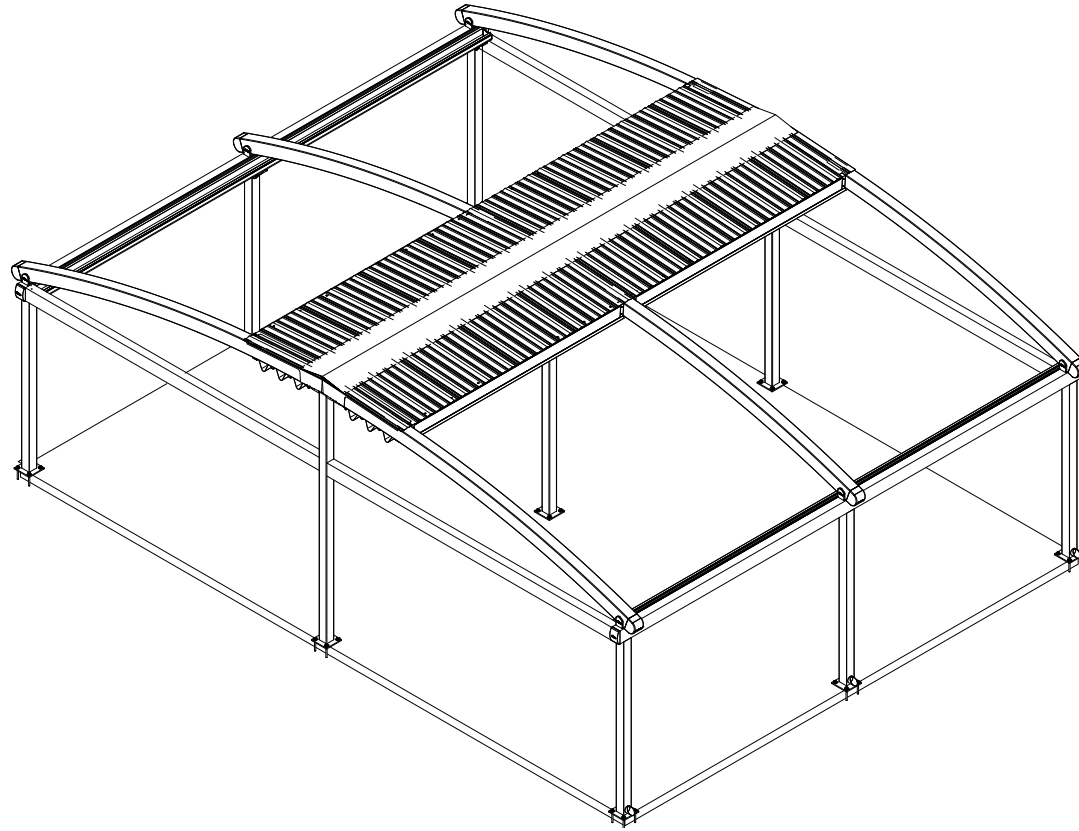
Middle front pillars can only be moved max. 50 cm towards right or left side.

STANDARD CONSTRUCTION



PRICE DIFFERENCE

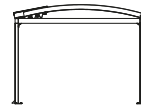
		BEAM GROUP	
		Standard	Al. 100x150mm
Back Beam	to	St. 100x150x3mm	€ 146 lm
		St. 100x150x5mm	€ 217 lm
		St. 100x200x3mm	€ 150 lm
		St. 100x200x5mm	€ 283 lm
		Standard	Al. 80x130mm
Front Beam	to	Al. 100x150mm	€ 52 lm
		St. 100x150x3mm	€ 214 lm
		St. 100x150x5mm	€ 285 lm
		St. 100x200x3mm	€ 218 lm
		St. 100x200x5mm	€ 351 lm
		PILLAR GROUP	
		Standard	Al. 100x100mm
Back Pillar	to	St. 100x100x3mm	€ 101 pcs
		St. 100x100x5mm	€ 416 pcs
		St. 150x150x3mm	€ 635 pcs
		St. 150x150x5mm	€ 1.124 pcs
		Standard	Al. 80x80mm
Front Pillar	to	Al. 100x100mm	€ 130 pcs
		St. 100x100x3mm	€ 270 pcs
		St. 100x100x5mm	€ 585 pcs
		St. 150x150x3mm	€ 804 pcs
		St. 150x150x5mm	€ 1.292 pcs



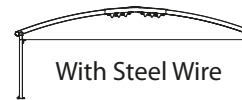
CORAL TWIN

PRODUCT FORMS

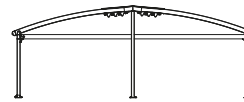
- **Coral Twin** Single Motor
-



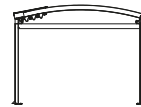
- **Coral Twin** Without Middle Pillar
-



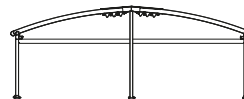
- **Coral Twin**
-



- **Coral Compact Twin** Single Motor
-

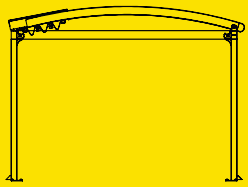


- **Coral Compact Twin**
-



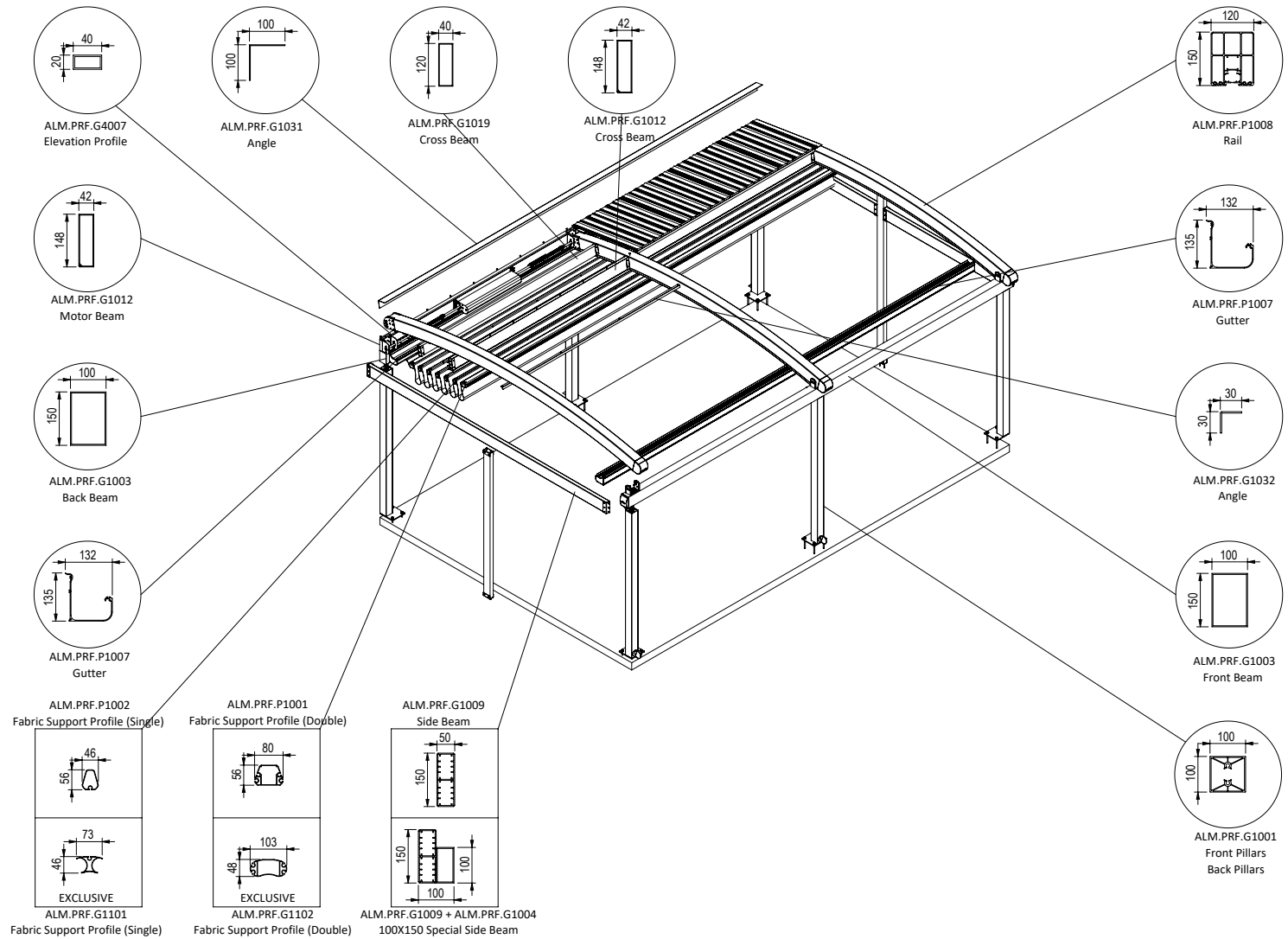
CORAL Twin

Single Motor



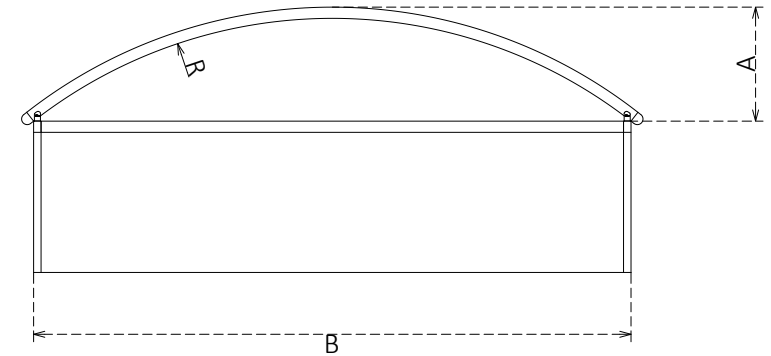
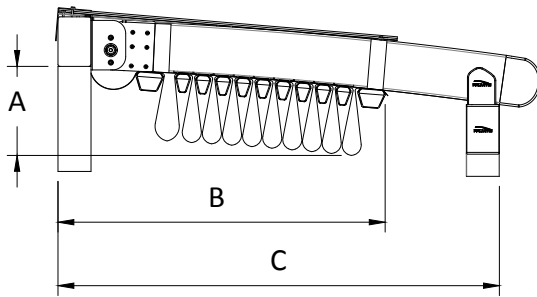
MAXIMUM DIMENSIONS

	WIDTH	PROJECTION
2 RAILS	350 cm	800 cm
3 RAILS	700 cm	800cm
	800 cm	800cm
4 RAILS	900 cm	700 cm
	1050 cm	600 cm
5 RAILS	1100 cm	600 cm
	1300 cm	500 cm



TECHNICAL FEATURES

COLLECTED FABRIC DIMENSIONS



Projection cm		C												
200	250	300	350	400	450	500	550	600	650	700	750	800		
9	31													104
9	31													104
11		32												117
13			33											130
15				36										143
17					37									156
17						37								156
19							40							169
21								42						182
23									44					195
25										46				208
27											48			221
29												50		234

DRAINAGE CALCULATION

Type	Max. m ²
Full	39 m ² /pc
Half	18 m ² /pc

* per drainage

There should be at least one drainage, each 8 m length gutter.

RADIUS CHART

RADIUS	R615	R850
Projection	A	
250	27	
300	33	
350	39	
400	47	
450	56	45
500	66	53
550	77	61
600		70
650		80
700		91
750		103
800		116

*The values are approx. ± 5 cm

*Calculated according to a slope of 15%

WIND RESISTANCE

PROJECTION (cm)	WIDTH (cm)																		
	450	500	550	600	650	700	750	800	850	900	950	1000	1050	1100	1150	1200	1250	1300	
400	11	11	11	11	11	11	11	11	11	11	11	11	11	11	11	11	11	11	11
450	11	11	11	11	11	11	11	11	11	11	11	11	11	11	11	11	11	11	11
500	11	11	11	11	10	10	11	11	11	11	11	10	10	11	11	11	11	10	10
550	11	11	10	10	10	10	11	10	10	10	10	10	10	11	10	10	10	10	10
600	10	10	10	9	9	10	10	10	9	9	9	9	10	10	10	10	10	10	10
650	10	9	9	8	8	8	9	9	8	8	8	8	8	8	8	8	8	8	8
700	9	8	8	8	7	7	8	8	8	8	8	8	8	8	8	8	8	8	8
750	9	8	8	8	7	7	8	8	8	8	8	8	8	8	8	8	8	8	8
800	8	8	8	8	7	7	8	8	8	8	8	8	8	8	8	8	8	8	8

All sides open

PROJECTION (cm)	WIDTH (cm)																		
	450	500	550	600	650	700	750	800	850	900	950	1000	1050	1100	1150	1200	1250	1300	
400	10	10	9	9	9	9	10	9	9	9	9	9	10	9	9	9	9	9	9
450	10	9	9	9	9	9	9	9	9	9	9	9	9	9	9	9	9	9	9
500	10	9	9	9	9	9	9	9	9	9	9	9	9	9	9	9	9	9	9
550	9	9	9	9	9	9	9	9	9	9	9	9	9	9	9	9	9	9	9
600	9	9	9	9	8	8	9	9	9	9	8	8	9	9	9	9	9	9	9
650	9	9	9	8	8	8	9	9	8	8	8	8	9	9	9	9	9	9	9
700	8	8	8	8	8	8	8	8	8	8	8	8	8	8	8	8	8	8	8
750	8	8	8	8	8	8	8	8	8	8	8	8	8	8	8	8	8	8	8
800	8	8	8	8	8	8	8	8	8	8	8	8	8	8	8	8	8	8	8

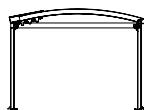
With side enclosure

*The values are given according to the Beaufort scale.

**Calculated for Products with a front height of 250 cm according to Eurocode EN 1991-1-4 Terrain Category 4.

*** You can ask for new calculations for special designs.

CORAL Twin Single Motor



Projection	Width																			FS4	FS9-SPD			
	2 RAILS			3 RAILS							4 RAILS						5 RAILS							
	250 cm	300 cm	350 cm	400 cm	450 cm	500 cm	550 cm	600 cm	650 cm	700 cm	750 cm	800 cm	850 cm	900 cm	950 cm	1000 cm	1050 cm	1100 cm	1150 cm	1200 cm	1250 cm	1300 cm		
200 cm	€ 7.953	€ 8.367	€ 8.923	€ 10.400	€ 10.956	€ 11.378	€ 11.767	€ 12.156	€ 12.853	€ 13.189	€ 14.529	€ 14.937	€ 15.490	€ 15.905	€ 16.593	€ 16.977	€ 17.363	€ 18.444	€ 18.742	€ 18.976	€ 21.233	€ 21.868	€ 1.082	€ 73
250 cm	€ 8.290	€ 8.906	€ 9.449	€ 10.806	€ 11.378	€ 11.887	€ 12.476	€ 12.873	€ 13.399	€ 13.746	€ 15.137	€ 15.757	€ 16.533	€ 16.757	€ 17.327	€ 17.723	€ 18.307	€ 19.425	€ 19.731	€ 19.970	€ 22.329	€ 22.974	€ 1.194	€ 100
300 cm	€ 8.879	€ 9.563	€ 10.171	€ 11.660	€ 12.319	€ 12.909	€ 13.561	€ 14.026	€ 14.615	€ 15.019	€ 16.569	€ 17.257	€ 18.119	€ 18.416	€ 19.038	€ 19.500	€ 20.149	€ 21.388	€ 21.752	€ 22.035	€ 24.646	€ 25.359	€ 1.306	€ 128
350 cm	€ 9.420	€ 9.925	€ 10.547	€ 12.283	€ 12.962	€ 13.618	€ 14.099	€ 14.761	€ 15.366	€ 15.775	€ 17.390	€ 18.095	€ 18.988	€ 19.287	€ 20.163	€ 20.637	€ 21.114	€ 22.396	€ 22.952	€ 23.241	€ 25.969	€ 26.493	€ 1.419	€ 156
400 cm	€ 9.768	€ 10.287	€ 10.920	€ 12.699	€ 13.399	€ 14.143	€ 14.637	€ 15.311	€ 15.926	€ 16.349	€ 18.017	€ 18.732	€ 19.637	€ 19.960	€ 20.919	€ 21.406	€ 21.895	€ 23.213	€ 23.778	€ 24.072	€ 26.885	€ 27.423	€ 1.531	€ 184
450 cm	€ 10.128	€ 10.659	€ 11.306	€ 13.129	€ 13.848	€ 14.683	€ 15.190	€ 15.878	€ 16.504	€ 16.938	€ 18.657	€ 19.386	€ 20.311	€ 20.646	€ 21.694	€ 22.192	€ 22.691	€ 24.050	€ 24.623	€ 24.919	€ 27.819	€ 28.371	€ 1.643	€ 212
500 cm	€ 10.478	€ 11.023	€ 11.683	€ 13.549	€ 14.289	€ 15.216	€ 15.731	€ 16.431	€ 17.073	€ 17.515	€ 19.287	€ 20.030	€ 20.977	€ 21.322	€ 22.455	€ 22.968	€ 23.480	€ 24.871	€ 25.453	€ 25.757	€ 28.743	€ 29.308	€ 1.756	€ 239
550 cm	€ 11.089	€ 11.890	€ 12.616	€ 14.632	€ 15.456	€ 16.445	€ 17.211	€ 17.790	€ 18.683	€ 19.183	€ 21.137	€ 21.952	€ 22.988	€ 23.604	€ 24.535	€ 25.137	€ 25.900	€ 27.435	€ 28.067	€ 28.410			€ 1.868	€ 267
600 cm	€ 11.448	€ 12.262	€ 13.005	€ 15.060	€ 15.905	€ 16.984	€ 17.766	€ 18.358	€ 19.260	€ 19.770	€ 21.779	€ 22.606	€ 23.662	€ 24.292	€ 25.337	€ 25.924	€ 26.699	€ 28.272					€ 1.981	€ 295
650 cm	€ 11.803	€ 12.634	€ 13.385	€ 15.485	€ 16.352	€ 17.518	€ 18.314	€ 18.918	€ 19.833	€ 20.274	€ 22.322	€ 23.159	€ 24.224	€ 24.873	€ 26.107	€ 26.710							€ 2.093	€ 323
700 cm	€ 12.158	€ 12.998	€ 13.763	€ 15.910	€ 16.793	€ 18.054	€ 18.858	€ 19.478	€ 20.407	€ 20.851	€ 22.956	€ 23.806	€ 26.776	€ 27.514									€ 2.205	€ 350
750 cm	€ 13.008	€ 13.860	€ 14.637	€ 16.831	€ 17.728	€ 19.086	€ 19.898	€ 20.535	€ 21.476	€ 21.925	€ 24.086	€ 24.950											€ 2.318	€ 619
800 cm	€ 13.362	€ 14.225	€ 15.014	€ 17.254	€ 18.167	€ 20.181	€ 21.012	€ 23.047	€ 24.127	€ 24.708	€ 27.148	€ 28.153											€ 2.430	€ 647
FS3	€ 219	€ 230	€ 251	€ 276	€ 298	€ 321	€ 344	€ 367	€ 390	€ 413	€ 530	€ 553	€ 576	€ 599	€ 623	€ 646	€ 669	€ 692	€ 715	€ 737	€ 760	€ 783		
FS5-A	€ 40	€ 51	€ 60	€ 68	€ 79	€ 88	€ 98	€ 107	€ 118	€ 126	€ 137	€ 146	€ 156	€ 165	€ 176	€ 184	€ 195	€ 204	€ 214	€ 223	€ 234	€ 242		
FS5-E	€ 56	€ 70	€ 82	€ 94	€ 109	€ 121	€ 135	€ 147	€ 162	€ 174	€ 189	€ 201	€ 215	€ 227	€ 242	€ 254	€ 268	€ 280	€ 295	€ 307	€ 322	€ 334		

Side beam pillar is included in the price

FS3	Gutter System (For One Side)
FS5-A	Additional Fabric Support Profile (Standard)
FS5-E	Additional Fabric Support Profile (3 Axis)
FS4	Additional Rail - Al. - 120x150mm for both projection side
FS8	Lighting System
FS9-SPD	Price difference between from Al. 50x150mm to Al. 100x150mm Special side beam and Al. 50x100mm to Al. 100x100mm side beam pillar (for both side)

FS8	
FS8-S	SPOT
FS8-L	LINEAR
FS8-E	3 AXIS ⁷
FS8-LR	LINEAR (RGB)
FS8-ER	3 AXIS (RGB) ⁷

LED TYPE & MODULE		
2 LED	3 LED	4 LED
€ 151	€ 183	€ 216
€ 216	€ 280	
€ 248	€ 323	
€ 274	€ 356	
€ 315	€ 409	

Notes:

- FS9- Side Beam (Al. 50x150mm) is included in the price for right and left side. For other option which is FS9-S (Al. 100x150mm) Special Side Beam is extra cost. The difference of the cost applies with FS9-SPD option code and for only one side of the pergola.
- If the projection is bigger than 700cm, a side beam pillar needs to be added up to rail (FS15 or FS15-B), FS15 Side Beam Pillar (Al. 50x100mm) included in the product price. FS15-B Side beam (Al. 100x100mm) included in FS9-SPD option.
- FS Flexy Plain/3D or Stam 6002 is included in the price.
- Motor and Remote control is included in the price.
- Palmiye Aluminium Coating Catalogue includes the standard colours with no extra cost. For any other type/brand/color of paint, price difference and additional delivery duration shall be checked from your customer representative.
- Standard fabric support profile plastic colours are specified in Palmiye Aluminium Coating Catalogue.
- 3 AXIS lights available only at exclusive fabric option.
- Decorative fabric can not be applied to this model.

DEDUCTIONS

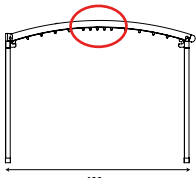
Price deduction is applicable only for pillars and beam. Deduction amount shall be consider as 70% of related option price.

OPTIONS

FS10	Extra pillar (100x100mm Al.)	€ 500	pcs
FS10-ST3	Extra pillar (100x100x3mm St.)	€ 479	pcs
FS10-ST5	Extra pillar (100x100x5mm St.)	€ 698	pcs
FS15	Side beam pillar (50x100mm - Al)	€ 66	pcs
FS15-B	Side beam pillar (100x100mm - Al)	€ 259	pcs
FS19	Fix louver	€ 500	lm
FS23	External Square Downpipe	€ 68	pcs
FS24	W96 Ceiling Cover	€ 306	m ²
FS26	Exclusive fabric difference (up to 800cm width)	€ 76	m ²
FS27	3 Axis lighting fabric support profile difference	€ 13	m ²
FS29-1	Sun Sensor (SUNIS) (for single motor)	€ 567	pcs
FS29-1S	Sun Sensor (SUNIS) (for synchronized motor)	€ 903	pcs
FS29-2	Wind Sensor (EOLIS RTS) (for single motor)	€ 267	pcs
FS29-2S	Wind Sensor (EOLIS RTS) (for synchronized motor)	€ 600	pcs
FS29-3	Sun and Wind Sensor (SOLIRIS RTS) (for single motor)	€ 302	pcs
FS29-3S	Sun and Wind Sensor (SOLIRIS RTS) (for synchronized motor)	€ 635	pcs
FS29-4 ^{2/3}	Rain Sensor (ONDEIS) (for single motor)	€ 524	pcs
FS29-4S ^{2/3}	Rain Sensor (ONDEIS) (for synchronized motor)	€ 856	pcs
FS30	CONNEXOON	€ 479	pcs

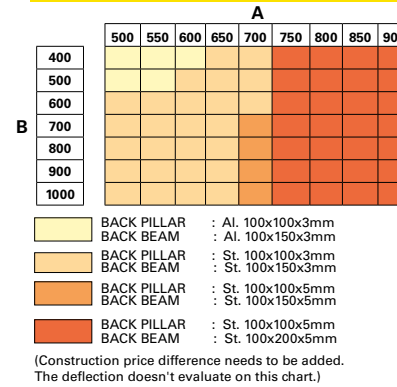
Notes:

1. Fabric support profiles can be painted in the same color as the general construction. No fee is paid for this process. However, the plastic color should be specified from our standard plastic colours in Palmiye Color Chart.
2. For one product, a dry contact transmitter costing 337€, must be added.
3. Up to 5 products, a RS485 Automation interface dry contact transmitter costing 1027€, must be added.
4. Exclusive fabric option can only be selected together with 3 axis fabric support profile. Price difference for 3 axis fabric profile should be added.

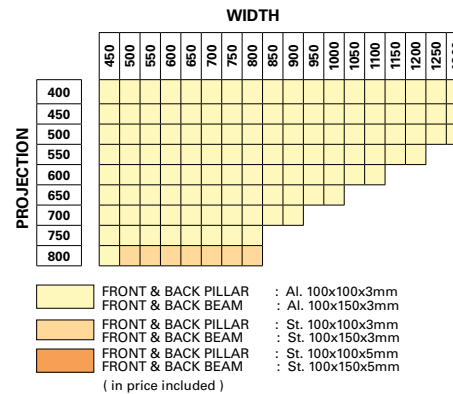


For projections of 4 meters or less, an extra fabric profile is added on either side of the central fabric profile to avoid water buildup along the pergola's central axis.

BACK PILLAR POSITION CHANGE



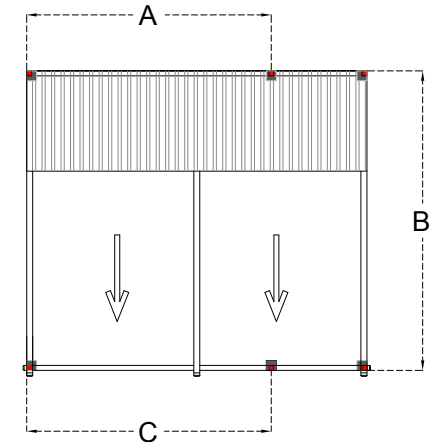
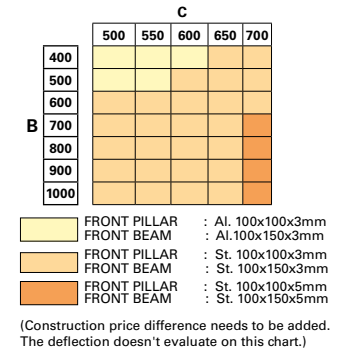
STANDARD CONSTRUCTION



EXTENSIONS

Rail	- 120x150mm	€ 308	lm
Beam	Al. 100x150mm	€ 141	lm
Beam	St. 100x150x3mm	€ 292	lm
Beam	St. 100x150x5mm	€ 354	lm
Beam	St. 100x200x3mm	€ 296	lm
Beam	St. 100x200x5mm	€ 421	lm
Fabric protection cover	Al. - 63x__cm	€ 55	m ²
Gutter	Special Profile	€ 41	lm
Pillar	Al. 100x100mm	€ 158	lm
Pillar	St. 100x100x3mm	€ 198	lm
Pillar	St. 100x100x5mm	€ 354	lm
Pillar	St. 150x150x3mm	€ 401	lm
Pillar	St. 150x150x5mm	€ 562	lm

FRONT PILLAR POSITION CHANGE



PRICE DIFFERENCE

		BEAM GROUP	
		Standard	Al. 100x150mm
Beam	to	St. 100x150x3mm	€ 146 lm
		St. 100x150x5mm	€ 217 lm
		St. 100x200x3mm	€ 150 lm
		St. 100x200x5mm	€ 283 lm
		PILLAR GROUP	
		Standard	Al. 100x100mm
Pillar	to	St. 100x100x3mm	€ 101 pcs
		St. 100x100x5mm	€ 416 pcs
		St. 150x150x3mm	€ 635 pcs
		St. 150x150x5mm	€ 1.124 pcs

- *Max. Al. Front pillar (Al. 100x100mm) height is 280cm
- *Max. St 3mm. Front pillar (St. 100x100x3mm) height is 380cm
- *Max. St. 5mm Front pillar (St. 100x100x5mm) height is 480cm

CORAL

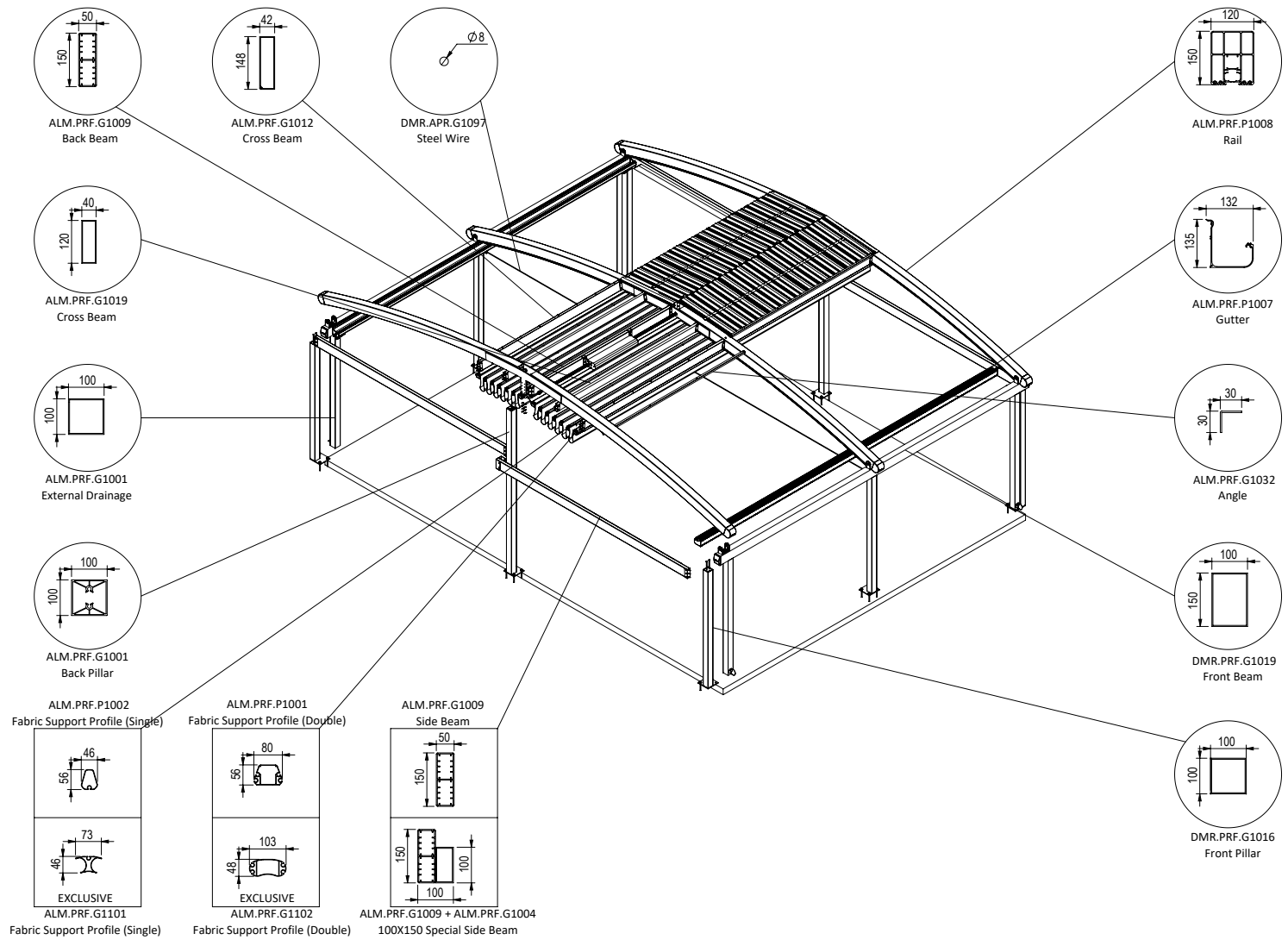
Twin

**Without
Middle Pillar**



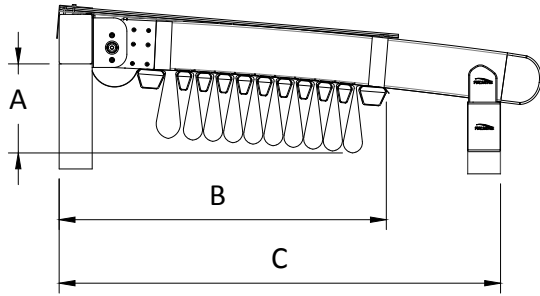
MAXIMUM DIMENSIONS

	WIDTH	PROJECTION
2 RAILS	400 cm	1000 cm
3 RAILS	800 cm	1000 cm
4 RAILS	1200 cm	1000 cm
5 RAILS	1300 cm	1000 cm



TECHNICAL FEATURES

COLLECTED FABRIC DIMENSIONS



No of Fabric Support Profiles	Projection cm							C
	200	250	300	350	400	450	500	
5	30							68
6		31						74
7			32					81
9				34				94
10					35			100
11						36		107
13							38	120

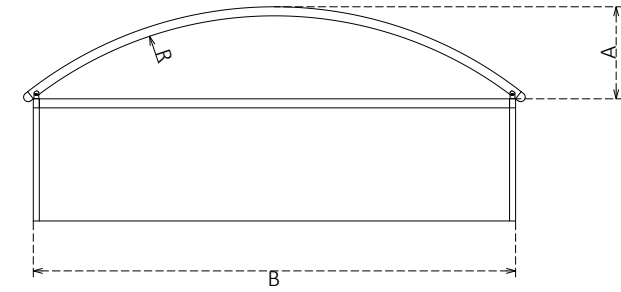
*Calculated according to a slope of 15%

DRAINAGE CALCULATION

Type	Max. m ²
Full	39 m ² /pc
Half	18 m ² /pc

* per drainage

There should be at least one drainage, each 8 m length gutter.



RADIUS CHART

RADIUS	650	850	1500
--------	-----	-----	------

Projection	A			B
	650	850	1500	
250	27			
300	32			
350	39			
400	47			
450	55	46		
500	65	54		
550	76	62		
600		71		
650		82		
700		93		
750		105	63	
800		118	69	
850		133	76	
900			84	
950			92	
1000			101	

*The values are approx. ± 5 cm

WIND RESISTANCE

PROJECTION (cm)	WIDTH (cm)																		
	450	500	550	600	650	700	750	800	850	900	950	1000	1050	1100	1150	1200	1250	1300	
400	11	11	11	11	11	11	11	11	11	11	11	11	11	11	11	11	11	11	11
500	11	11	11	11	11	11	11	10	10	11	11	11	11	11	10	10	10	11	11
600	11	11	10	10	10	10	9	9	10	10	10	10	9	9	9	9	10	10	10
700	10	9	9	9	8	8	8	8	9	9	8	8	8	8	8	8	8	8	8
800	9	8	8	8	7	7	7	7	8	8	7	7	7	7	7	7	7	7	7
900	8	8	7	7	7	7	7	7	7	7	7	7	7	7	7	7	7	7	7
1000	8	8	7	7	7	7	7	7	7	7	7	7	7	7	7	7	7	7	7

PROJECTION (cm)	All sides open WIDTH (cm)																		
	450	500	550	600	650	700	750	800	850	900	950	1000	1050	1100	1150	1200	1250	1300	
400	11	11	11	11	11	11	11	11	11	11	11	11	11	11	11	11	11	11	11
500	11	11	11	11	11	11	11	10	10	11	11	11	11	11	11	10	10	11	11
600	11	11	11	11	11	11	10	10	10	11	11	11	11	10	10	10	10	11	11
700	10	10	10	10	10	9	9	9	10	10	10	10	9	9	9	9	10	10	10
800	10	9	9	9	9	9	9	8	8	9	9	9	9	9	8	8	8	9	9
900	8	8	8	8	8	8	8	8	8	8	8	8	8	8	8	8	8	8	8
1000	8	8	8	8	8	8	8	8	8	8	8	8	8	8	8	8	8	8	8

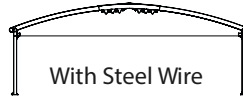
With side enclosure

*The values are given according to the Beaufort scale.

**Calculated for Products with a front height of 250 cm according to Eurocode EN 1991-1-4 Terrain Category 4.

*** You can ask for new calculations for special designs.

CORAL Twin Without Middle Pillar



Projection	Width	2 RAILS				3 RAILS								4 RAILS								5 RAILS		FS4	FS9-SPD
		250 cm	300 cm	350 cm	400 cm	450 cm	500 cm	550 cm	600 cm	650 cm	700 cm	750 cm	800 cm	850 cm	900 cm	950 cm	1000 cm	1050 cm	1100 cm	1150 cm	1200 cm	1250 cm	1300 cm		
400 cm		€ 12.725	€ 13.354	€ 14.568	€ 15.205	€ 17.955	€ 18.583	€ 19.222	€ 19.851	€ 21.065	€ 21.702	€ 22.444	€ 23.072	€ 25.274	€ 25.884	€ 27.072	€ 27.682	€ 28.286	€ 28.896	€ 29.500	€ 30.111	€ 33.611	€ 34.563	€ 1.531	€ 184
450 cm		€ 13.069	€ 13.869	€ 14.934	€ 15.580	€ 18.474	€ 19.113	€ 19.923	€ 20.562	€ 21.626	€ 22.268	€ 23.024	€ 23.828	€ 26.167	€ 26.792	€ 27.826	€ 28.447	€ 29.227	€ 29.849	€ 30.463	€ 31.084	€ 34.730	€ 35.689	€ 1.643	€ 211
500 cm		€ 13.412	€ 14.382	€ 15.299	€ 15.953	€ 18.992	€ 19.638	€ 20.624	€ 21.270	€ 22.187	€ 22.833	€ 23.603	€ 24.580	€ 27.059	€ 27.698	€ 28.580	€ 29.208	€ 30.169	€ 30.797	€ 31.426	€ 32.056	€ 35.845	€ 36.813	€ 1.756	€ 240
550 cm		€ 13.946	€ 14.971	€ 15.936	€ 16.640	€ 19.867	€ 20.564	€ 21.599	€ 22.298	€ 23.263	€ 23.962	€ 24.778	€ 25.808	€ 28.475	€ 29.157	€ 30.096	€ 30.772	€ 31.781	€ 32.457	€ 33.139	€ 33.820	€ 37.793	€ 38.815	€ 1.868	€ 267
600 cm		€ 14.479	€ 15.562	€ 16.575	€ 17.327	€ 20.741	€ 21.491	€ 22.574	€ 23.325	€ 24.337	€ 25.089	€ 25.953	€ 27.036	€ 29.891	€ 30.617	€ 31.611	€ 32.337	€ 33.394	€ 34.117	€ 34.852	€ 35.585	€ 39.742	€ 40.815	€ 1.981	€ 294
650 cm		€ 14.998	€ 15.929	€ 16.950	€ 17.876	€ 21.438	€ 22.198	€ 23.128	€ 24.054	€ 25.079	€ 25.840	€ 26.718	€ 27.808	€ 30.811	€ 31.549	€ 32.712	€ 33.454	€ 34.358	€ 35.094	€ 35.999	€ 36.742	€ 41.046	€ 41.972	€ 2.093	€ 323
700 cm		€ 15.520	€ 16.297	€ 17.327	€ 18.428	€ 22.137	€ 22.907	€ 23.684	€ 24.783	€ 25.822	€ 26.592	€ 27.482	€ 28.583	€ 31.735	€ 32.486	€ 33.813	€ 34.572	€ 35.323	€ 36.075	€ 37.149	€ 37.900	€ 42.353	€ 43.130	€ 2.205	€ 350
750 cm		€ 15.879	€ 16.665	€ 17.707	€ 18.817	€ 22.677	€ 23.458	€ 24.249	€ 25.357	€ 26.404	€ 27.187	€ 28.086	€ 29.196	€ 32.500	€ 33.259	€ 34.601	€ 35.369	€ 36.132	€ 36.893	€ 37.979	€ 38.739	€ 43.345	€ 44.131	€ 2.318	€ 379
800 cm		€ 16.237	€ 17.031	€ 18.086	€ 19.205	€ 23.718	€ 24.569	€ 25.381	€ 26.539	€ 27.634	€ 28.468	€ 29.415	€ 30.573	€ 34.069	€ 34.878	€ 36.269	€ 37.085	€ 37.903	€ 38.711	€ 39.849	€ 40.658	€ 45.455	€ 46.288	€ 2.430	€ 406
850 cm		€ 16.603	€ 17.412	€ 18.477	€ 19.608	€ 24.268	€ 25.132	€ 25.954	€ 27.121	€ 28.229	€ 29.072	€ 30.033	€ 31.203	€ 34.844	€ 35.664	€ 37.069	€ 37.894	€ 38.719	€ 39.541	€ 40.690	€ 41.509	€ 46.456	€ 47.299	€ 2.542	€ 433
900 cm		€ 16.971	€ 17.792	€ 18.867	€ 20.010	€ 24.820	€ 25.696	€ 26.528	€ 27.703	€ 28.824	€ 29.913	€ 30.929	€ 32.156	€ 35.617	€ 36.451	€ 37.871	€ 39.096	€ 39.934	€ 40.771	€ 41.931	€ 42.766	€ 47.458	€ 48.308	€ 2.655	€ 462
950 cm		€ 17.336	€ 18.164	€ 19.252	€ 20.405	€ 25.367	€ 26.252	€ 27.092	€ 28.280	€ 29.411	€ 30.513	€ 31.538	€ 32.773	€ 36.391	€ 37.234	€ 38.662	€ 39.901	€ 40.748	€ 41.594	€ 42.767	€ 43.614	€ 48.455	€ 49.318	€ 2.767	€ 489
1000 cm		€ 17.697	€ 18.536	€ 19.635	€ 20.798	€ 25.941	€ 26.854	€ 27.771	€ 29.010	€ 30.191	€ 31.109	€ 32.143	€ 35.144	€ 39.479	€ 40.432	€ 39.839	€ 40.705	€ 41.559	€ 42.414	€ 46.094	€ 47.045	€ 52.690	€ 53.669	€ 2.880	€ 517
FS3		€ 219	€ 230	€ 251	€ 276	€ 298	€ 321	€ 344	€ 367	€ 390	€ 413	€ 530	€ 553	€ 576	€ 599	€ 623	€ 646	€ 669	€ 692	€ 715	€ 737	€ 760	€ 783		
FS5-A		€ 40	€ 51	€ 60	€ 68	€ 79	€ 88	€ 98	€ 107	€ 118	€ 126	€ 137	€ 146	€ 156	€ 165	€ 176	€ 184	€ 195	€ 204	€ 214	€ 223	€ 234	€ 242		
FS5-E		€ 56	€ 70	€ 82	€ 94	€ 109	€ 121	€ 135	€ 147	€ 162	€ 174	€ 189	€ 201	€ 215	€ 227	€ 242	€ 254	€ 268	€ 280	€ 295	€ 307	€ 322	€ 334		

Notes:

- 1.FS9- Side Beam (Al. 50x150mm) is included in the price for right and left side. For other option which is FS9-S (Al. 100x150mm) Special Side Beam is extra cost. The difference of the cost applies with FS9-SPD option code and for only one side of the pergola.
2. FS Flexy Plain/3D or Stam 6002 is included in the price.
3. Motor and Remote control is included in the price.

4. Palmiye Aluminium Coating Catalogue includes the standard colours with no extra cost. For any other type/brand/coulor of paint, price difference and additional delivery duration shall be checked from your customer representative.

5. Standard fabric support profile plastic colours are specified in Palmiye Aluminium Coating Catalogue.

6. The gutter option price is for one side and must be added separately for each side.

7. In pergolas including steel front pillars, if gutter option is preferred, external water drainage points will be specified according to the Project and will be priced additionally.

8. 3 AXIS lights available only at exclusive fabric option.

DEDUCTIONS

Price deduction is applicable only for front & back pillars and side beam. Deduction amount shall be consider as 70% of related option price.

FS3	Gutter System (For One Side)	LED TYPE & MODULE				
FS5-A	Additional Fabric Support Profile (Standard)	FS8		2 LED	3 LED	4 LED
FS5-E	Additional Fabric Support Profile (3 Axis)	FS8-S	SPOT	€ 151	€ 183	€ 216
FS4	Additional Rail - Al. - 120x150mm for both projection side	FS8-L	LINEAR	€ 216	€ 280	
FS8	Lighting System	FS8-E	3 AXIS ⁸	€ 248	€ 323	
FS9-SPD	Price difference between Al. 50x150mm to Al. 100x150mm Special side beam and Al. 50x100mm to Al. 100x100mm side beam pillar (for both side)	FS8-LR	LINEAR (RGB)	€ 274	€ 356	
		FS8-ER	3 AXIS (RGB) ⁸	€ 315	€ 409	

OPTIONS

FS10	Extra pillar (100x100mm Al.)	€ 500	pcs
FS10-ST3	Extra pillar (100x100x3mm St.)	€ 479	pcs
FS10-ST5	Extra pillar (100x100x5mm St.)	€ 698	pcs
FS11	Deco ceiling cover	€ 66	m ²
FS15	Side beam pillar (50x100mm - Al)	€ 259	pcs
FS15-B	Side beam pillar (100x100mm - Al)	€ 500	pcs
FS19	Fix louver	€ 68	lm
FS23	External Square Downpipe	€ 306	pcs
FS24	W96 Ceiling Cover	€ 76	m ²
FS26	Exclusive fabric difference (up to 800cm width)	€ 45	m ²
FS27	3 Axis lighting fabric support profile difference	€ 13	m ²
FS29-1	Sun Sensor (SUNIS) (for single motor)	€ 567	pcs
FS29-1S	Sun Sensor (SUNIS) (for synchronized motor)	€ 903	pcs
FS29-2	Wind Sensor (EOLIS RTS) (for single motor)	€ 267	pcs
FS29-2S	Wind Sensor (EOLIS RTS) (for synchronized motor)	€ 600	pcs
FS29-3	Sun and Wind Sensor (SOLIRIS RTS) (for single motor)	€ 302	pcs
FS29-3S	Sun and Wind Sensor (SOLIRIS RTS) (for synchronized motor)	€ 635	pcs
FS29-4 ^{2/3}	Rain Sensor (ONDEIS) (for single motor)	€ 524	pcs
FS29-4S ^{2/3}	Rain Sensor (ONDEIS) (for synchronized motor)	€ 856	pcs
FS30	CONNEXOON	€ 479	pcs

Notes:

1. Fabric support profiles can be painted in the same color as the general construction. No fee is paid for this process. However, the plastic color should be specified from our standard plastic colours in Palmiye Color Chart.
2. For one product, a dry contact transmitter costing 337€, must be added.
3. Up to 5 products, a RS485 Automation interface dry contact transmitter costing 1027€, must be added.
4. Exclusive fabric option can only be selected together with 3 axis fabric support profile. Price difference for 3 axis fabric profile should be added.

EXTENSIONS

Rail	- 120x150mm	€ 567	lm
Beam	Al. 100x150mm	€ 903	lm
Beam	St. 100x150x3mm	€ 267	lm
Beam	St. 100x150x5mm	€ 600	lm
Beam	St. 100x200x3mm	€ 302	lm
Beam	St. 100x200x5mm	€ 635	lm
Fabric protection cover	Al. - 63x__cm	€ 524	m ²
Gutter	Special Profile	€ 856	lm
Pillar	Al. 100x100mm	€ 479	lm
Pillar	St. 100x100x3mm	€ 198	lm
Pillar	St. 100x100x5mm	€ 354	lm
Pillar	St. 150x150x3mm	€ 401	lm
Pillar	St. 150x150x5mm	€ 562	lm


*Max. Al. Front pillar (Al. 100x100mm) height is 280cm


*Max. St 3mm. Front pillar (St. 100x100x3mm) height is 380cm

*Max. St. 5mm Front pillar (St. 100x100x5mm) height is 480cm

STANDARD CONSTRUCTION

		WIDTH																	
		450	500	550	600	650	700	750	800	850	900	950	1000	1050	1100	1150	1200	1250	1300
PROJECTION	800																		
	900																		
	1000																		

	FRONT PILLAR : St. 100x100x3mm
	FRONT BEAM : St. 100x150x3mm

	FRONT PILLAR : St. 100x100x5mm
	FRONT BEAM : St. 100x150x5mm

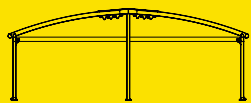
(in price included)

PRICE DIFFERENCE

		BEAM GROUP	
		Standard	St. 100x150x3mm
Front Beam			
	to	St. 100x150x5mm	€ 71 lm
		St. 100x200x3mm	€ 4 lm
		St. 100x200x5mm	€ 137 lm

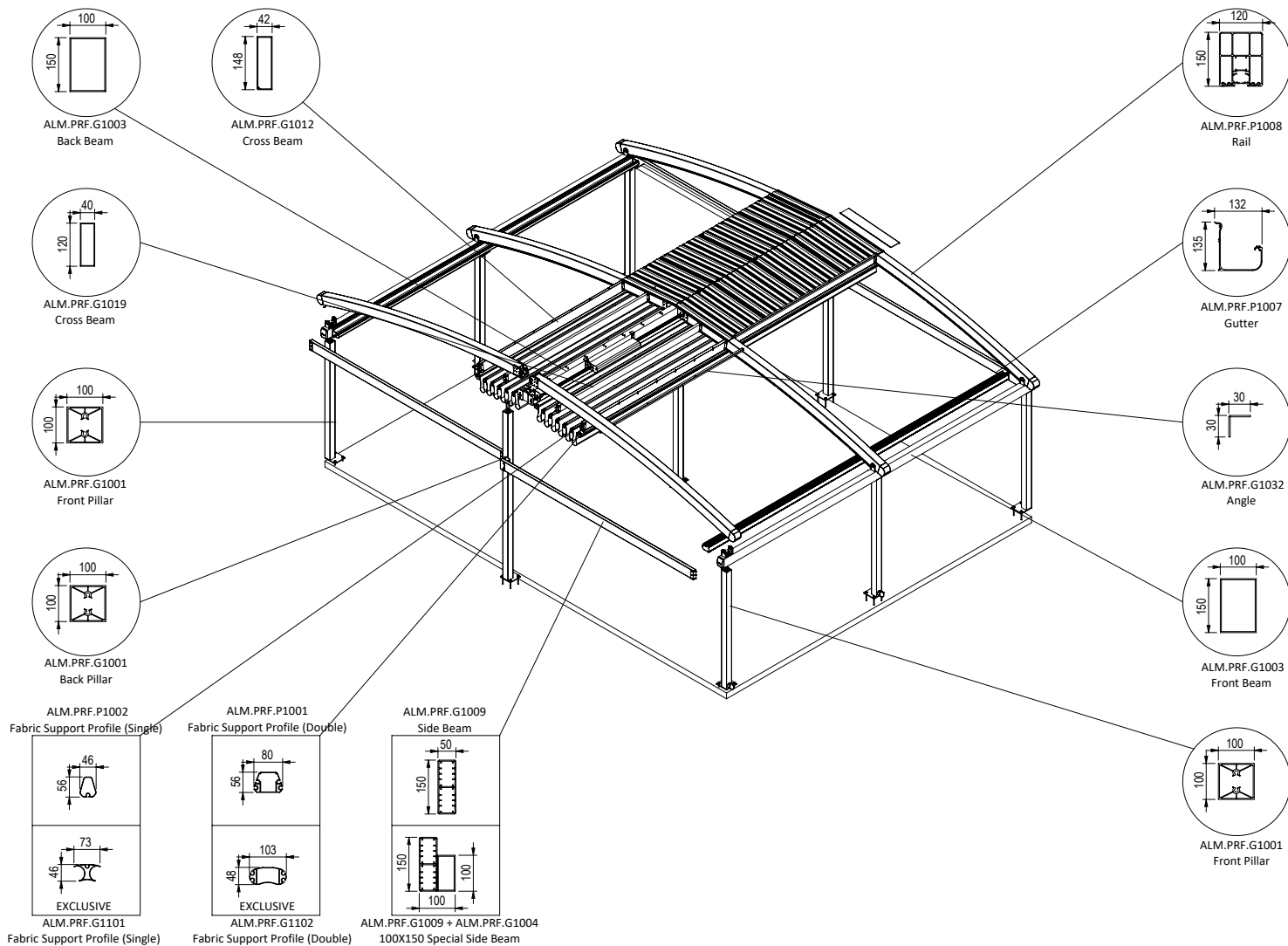
		PILLAR GROUP	
		Standard	St. 100x100x3mm
Front Pillar			
	to	St. 100x100x5mm	€ 316 pcs
		St. 150x150x3mm	€ 535 pcs
		St. 150x150x5mm	€ 1.023 pcs

CORAL Twin



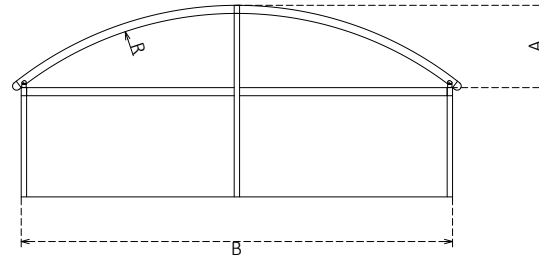
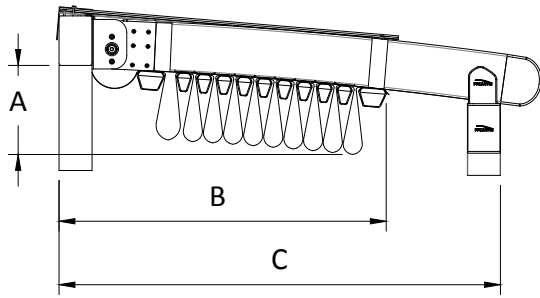
MAXIMUM DIMENSIONS

	WIDTH	PROJECTION
2 RAILS	400 cm	1600 cm
3 RAILS	800 cm	1600 cm
4 RAILS	1200 cm	1600 cm
5 RAILS	1300 cm	1400 cm



TECHNICAL FEATURES

COLLECTED FABRIC DIMENSIONS



Projection cm		C
200	250	30
300	350	31
400	450	32
500	550	34
600	650	35
700	750	36
800		38
		39
		40
		42
		43
		44
		46

No of Fabric Support Profiles

*Calculated according to a slope of 15%

DRAINAGE CALCULATION

Type	Max. m ²
Full	39 m ² /pc
Half	18 m ² /pc

* per drainage

There should be at least one drainage, each 8 m length gutter.

RADIUS CHART

RADIUS	R615	R850	R1500	R2850
250	34			
300	41			
350	49			
400	58			
450	68	56		
500	81	65		
550	94	74		
600		85		
650		96		
700		109		
750		122	75	
800		137	83	
850		153	91	
900			100	
950			109	
1000			118	
1050			128	
1100			139	
1150			150	89
1200			161	94
1250			174	101
1300				107
1350				114
1400				120
1450				128
1500				135
1550				142,5
1600				150

*The values are approx. ± 5 cm

WIND RESISTANCE

PROJECTION (cm)	WIDTH (cm)																	
	450	500	550	600	650	700	750	800	850	900	950	1000	1050	1100	1150	1200	1250	1300
800	11	11	11	11	10	10	9	9	11	11	10	10	10	10	9	9	10	10
900	11	11	11	11	10	9	9	8	11	11	10	10	9	9	9	8	10	10
1000	11	11	11	10	9	8	8	8	11	10	9	9	8	8	8	8	9	9
1100	11	10	10	10	9	8	8	7	10	10	9	9	8	8	8	7	9	9
1200	10	10	10	9	8	7	7	7	10	9	8	8	7	7	7	7	8	8
1300	9	9	8	8	7	7	7	7	9	8	8	8	7	7	7	7	8	8
1400	9	9	8	8	7	7	7	7	9	8	7	7	7	7	7	7	7	7
1500	8	8	7	7	7	7	7	7	8	7	7	7	7	7	7	7	7	7
1600	8	7	7	7	7	7	7	7	7	7	7	7	7	7	7	7	7	7

PROJECTION (cm)	WIDTH (cm)																	
	450	500	550	600	650	700	750	800	850	900	950	1000	1050	1100	1150	1200	1250	1300
800	11	10	10	10	9	8	8	8	10	10	9	9	8	8	8	8	9	9
900	10	10	10	10	9	8	8	8	10	10	9	9	8	8	8	8	9	9
1000	10	10	9	9	8	8	8	8	10	9	8	8	8	8	8	8	8	8
1100	9	9	9	9	7	7	7	7	9	9	7	7	7	7	7	7	7	7
1200	9	8	8	8	7	7	7	7	8	8	7	7	7	7	7	7	7	7
1300	8	8	7	7	7	7	7	7	8	7	7	7	7	7	7	7	7	7
1400	7	7	7	7	7	7	7	7	7	7	7	7	7	7	7	7	7	7
1500	7	7	7	7	7	7	7	7	7	7	7	7	7	7	7	7	7	7
1600	7	7	7	7	7	7	7	7	7	7	7	7	7	7	7	7	7	7

*The values are given according to the Beaufort scale.

All sides open

**Calculated for Products with a front height of 250 cm according to Eurocode EN 1991-1-4 Terrain Category 4.

*** You can ask for new calculations for special designs.

With side enclosure

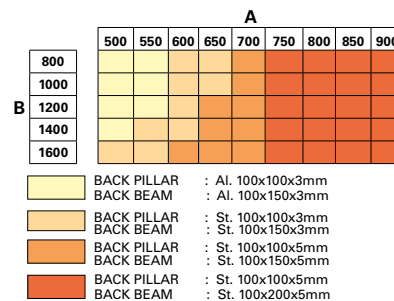
OPTIONS

FS10	Extra pillar (100x100mm Al.)	€ 500	pcs
FS10-ST3	Extra pillar (100x100x3mm St.)	€ 479	pcs
FS10-ST5	Extra pillar (100x100x5mm St.)	€ 698	pcs
FS11	Deco ceiling cover	€ 66	m ²
FS15	Side beam pillar (50x100mm - Al)	€ 259	pcs
FS15-B	Side beam pillar (100x100mm - Al)	€ 500	pcs
FS19	Fix louver	€ 68	lm
FS23	External Square Downpipe	€ 306	pcs
FS24	W96 Ceiling Cover	€ 76	m ²
FS26	Exclusive fabric difference (up to 800cm width)	€ 45	m ²
FS27	3 Axis lighting fabric support profile difference	€ 13	m ²
FS29-1	Sun Sensor (SUNIS) (for single motor)	€ 567	pcs
FS29-1S	Sun Sensor (SUNIS) (for synchronized motor)	€ 903	pcs
FS29-2	Wind Sensor (EOLIS RTS) (for single motor)	€ 267	pcs
FS29-2S	Wind Sensor (EOLIS RTS) (for synchronized motor)	€ 600	pcs
FS29-3	Sun and Wind Sensor (SOLIRIS RTS) (for single motor)	€ 302	pcs
FS29-3S	Sun and Wind Sensor (SOLIRIS RTS) (for synchronized motor)	€ 635	pcs
FS29-4 ^{2/3}	Rain Sensor (ONDEIS) (for single motor)	€ 524	pcs
FS29-4S ^{2/3}	Rain Sensor (ONDEIS) (for synchronized motor)	€ 856	pcs
FS30	CONNEXOON	€ 479	pcs

Notes:

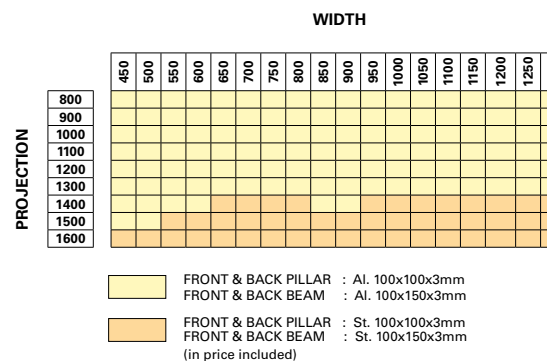
1. Fabric support profiles can be painted in the same color as the general construction. No fee is paid for this process. However, the plastic color should be specified from our standard plastic colours in Palmiye Color Chart.
2. For one product, a dry contact transmitter costing 337€, must be added.
3. Up to 5 products, a RS485 Automation interface dry contact transmitter costing 1027€, must be added.
4. Exclusive fabric option can only be selected together with 3 axis fabric support profile. Price difference for 3 axis fabric profile should be added.

BACK PILLAR POSITION CHANGE



(Construction price difference needs to be added. The deflection doesn't evaluate on this chart.)

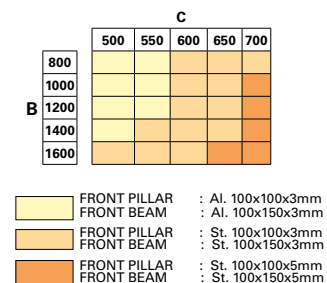
STANDARD CONSTRUCTION



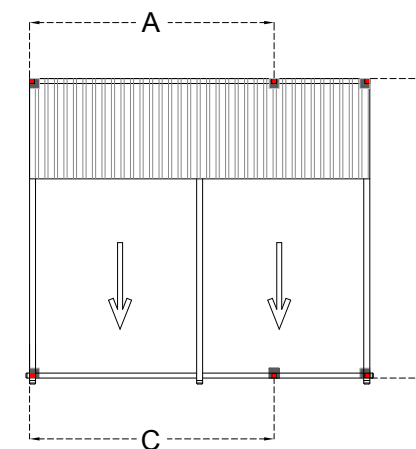
EXTENSIONS

Rail	- 120x150mm	€ 308	lm
Beam	Al. 100x150mm	€ 141	lm
Beam	St. 100x150x3mm	€ 292	lm
Beam	St. 100x150x5mm	€ 354	lm
Beam	St. 100x200x3mm	€ 296	lm
Beam	St. 100x200x5mm	€ 421	lm
Fabric protection cover	Al. - 63x__cm	€ 55	m ²
Gutter	Special Profile	€ 41	lm
Pillar	Al. 100x100mm	€ 158	lm
Pillar	St. 100x100x3mm	€ 198	lm
Pillar	St. 100x100x5mm	€ 354	lm
Pillar	St. 150x150x3mm	€ 401	lm
Pillar	St. 150x150x5mm	€ 562	lm

FRONT PILLAR POSITION CHANGE



(Construction price difference needs to be added. The deflection doesn't evaluate on this chart.)



PRICE DIFFERENCE

		BEAM GROUP		
Standard		Al. 100x150mm		
Beam	to	St. 100x150x3mm	€ 146	lm
		St. 100x150x5mm	€ 217	lm
		St. 100x200x3mm	€ 150	lm
		St. 100x200x5mm	€ 283	lm

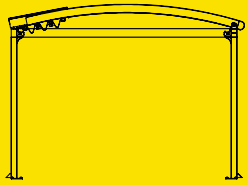
		PILLAR GROUP		
Standard		Al. 100x100mm		
Pillar	to	St. 100x100x3mm	€ 101	pcs
		St. 100x100x5mm	€ 416	pcs
		St. 150x150x3mm	€ 635	pcs
		St. 150x150x5mm	€ 1.124	pcs

*Max. Al. Front pillar (Al. 100x100mm) height is 280cm
 *Max. St. 3mm. Front pillar (St. 100x100x3mm) height is 380cm
 *Max. St. 5mm Front pillar (St. 100x100x5mm) height is 480cm

CORAL

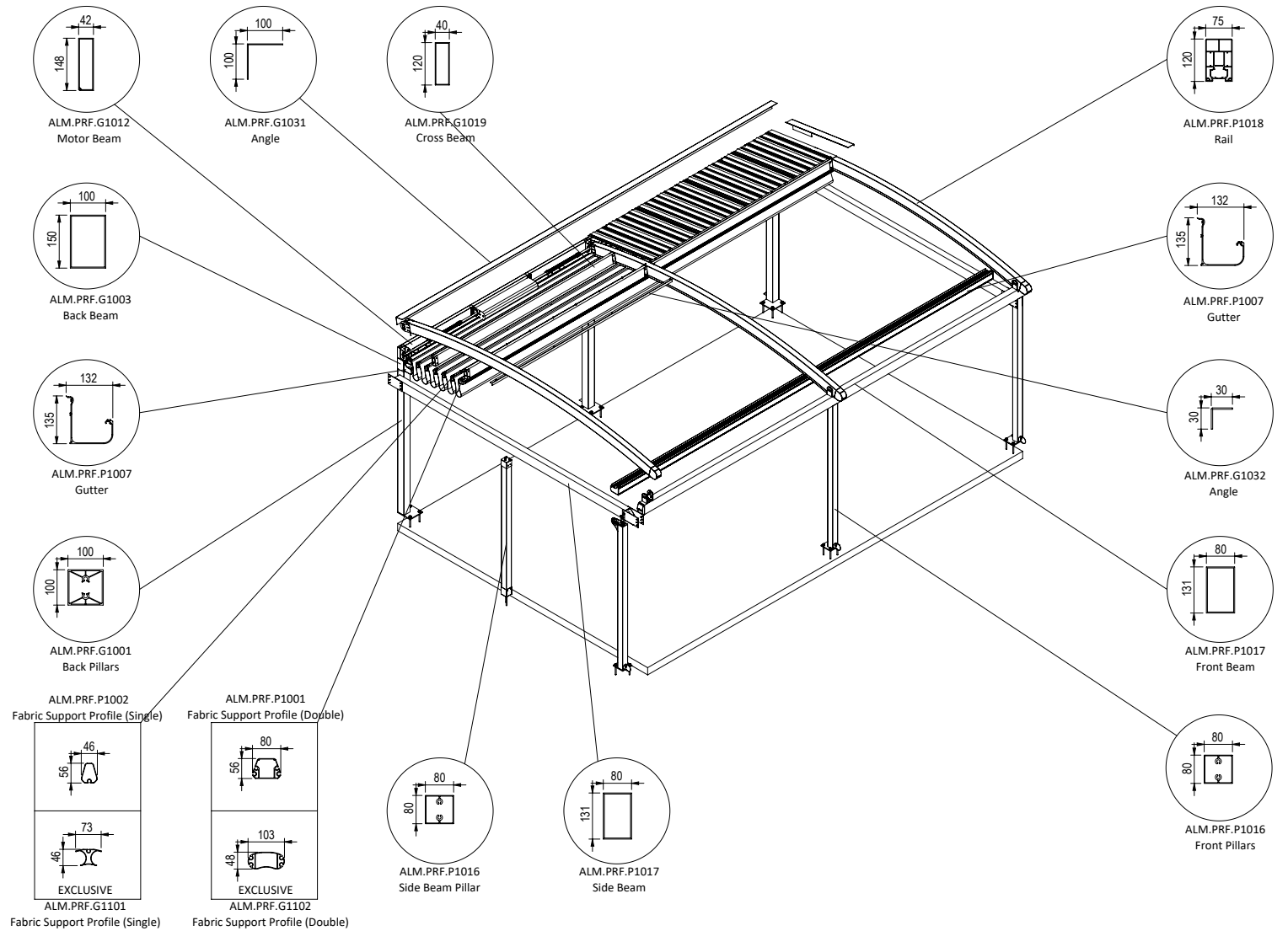
Compact Twin

Single Motor



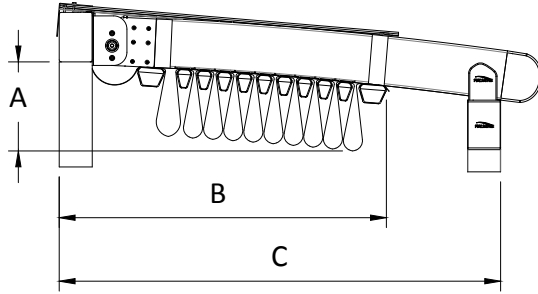
MAXIMUM DIMENSIONS

	WIDTH	PROJECTION
2 RAILS	350 cm	600 cm
3 RAILS	700 cm	600 cm
4 RAILS	1050 cm	600 cm
5 RAILS	1100 cm	600 cm
	1300 cm	500 cm



TECHNICAL FEATURES

COLLECTED FABRIC DIMENSIONS



TILTED VERSION		Projection cm								
		200	250	300	350	400	450	500	550	C
No of Fabric Support Profiles	9	31								104
	9	31								104
	11		32							117
	13			33						130
	15				36					143
	17					37				156
	17						37			156
	19							40		169
			← A →							

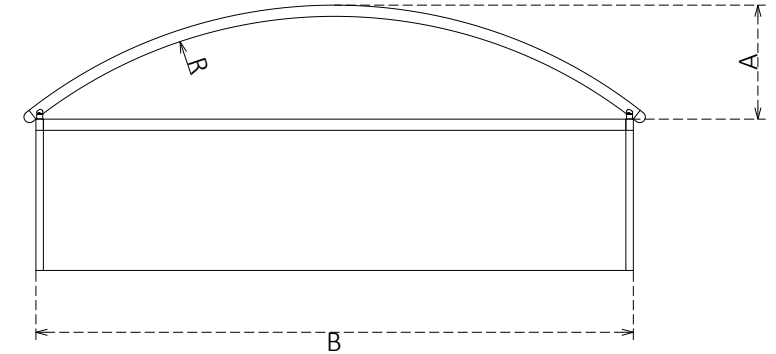
*Calculated according to a slope of 15%

DRAINAGE CALCULATION

Type	Max. m ²
Compact	30 m ² /pc

* per drainage

There should be at least one drainage, each 8 m length gutter.



RADIUS CHART

RADIUS	650	850

Projection	A		B
250	27		
300	33		
350	39		
400	47		
450	56	45	
500	66	53	
550	77	61	
600		70	

*The values are approx. ± 5 cm

WIND RESISTANCE

		WIDTH (cm)																	
		450	500	550	600	650	700	750	800	850	900	950	1000	1050	1100	1150	1200	1250	1300
PROJECTION (cm)	400	11	11	11	10	10	9	11	11	10	10	10	9	11	11	10	10	10	10
	450	10	10	9	9	9	8	10	9	9	9	9	8	10	9	9	9	9	9
	500	10	9	8	8	8	7	9	8	8	8	8	7	9	8	8	8	8	8
	550	9	8	7	7	7	7	8	7	7	7	7	7	8	7	7	7	7	7
	600	8	8	7	7	7	6	8	7	7	7	7	6	8	7	7	7	7	7

All sides open

		WIDTH (cm)																	
		450	500	550	600	650	700	750	800	850	900	950	1000	1050	1100	1150	1200	1250	1300
PROJECTION (cm)	400	8	8	8	8	8	8	8	8	8	8	8	8	8	8	8	8	8	8
	450	8	8	8	8	8	7	8	8	8	8	8	7	8	8	8	8	8	8
	500	8	8	8	7	7	7	8	8	7	7	7	7	8	8	7	7	7	7
	550	7	7	7	7	7	6	7	7	7	7	7	6	7	7	7	7	7	7
	600	7	7	7	7	7	6	7	7	7	7	7	6	7	7	7	7	7	7

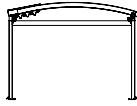
With side enclosure

*The values are given according to the Beaufort scale.

**Calculated for Products with a front height of 250 cm according to Eurocode EN 1991-1-4 Terrain Category 4.

*** You can ask for new calculations for special designs.

CORAL Compact Twin Single Motor



Projection	Width																					FS4 FS10-C	
	2 RAILS			3 RAILS							4 RAILS							5 RAILS					
	250 cm	300 cm	350 cm	400 cm	450 cm	500 cm	550 cm	600 cm	650 cm	700 cm	750 cm	800 cm	850 cm	900 cm	950 cm	1000 cm	1050 cm	1100 cm	1150 cm	1200 cm	1250 cm	1300 cm	
200 cm	€ 6.444	€ 6.777	€ 7.226	€ 8.418	€ 8.867	€ 9.205	€ 9.517	€ 9.828	€ 10.388	€ 10.658	€ 11.736	€ 12.062	€ 12.505	€ 12.836	€ 13.387	€ 13.693	€ 13.998	€ 14.866	€ 15.101	€ 15.286	€ 17.098	€ 17.604	€ 1.255
250 cm	€ 6.711	€ 7.207	€ 7.644	€ 8.739	€ 9.198	€ 9.606	€ 10.079	€ 10.398	€ 10.820	€ 11.096	€ 12.214	€ 12.711	€ 13.333	€ 13.510	€ 13.964	€ 14.280	€ 14.746	€ 15.641	€ 15.883	€ 16.069	€ 17.962	€ 18.476	€ 1.348
300 cm	€ 7.180	€ 7.732	€ 8.220	€ 9.420	€ 9.949	€ 10.424	€ 10.946	€ 11.316	€ 11.789	€ 12.112	€ 13.356	€ 13.908	€ 14.598	€ 14.833	€ 15.328	€ 15.695	€ 16.212	€ 17.204	€ 17.491	€ 17.715	€ 19.806	€ 20.374	€ 1.441
350 cm	€ 7.610	€ 8.015	€ 8.515	€ 9.913	€ 10.458	€ 10.984	€ 11.369	€ 11.899	€ 12.382	€ 12.709	€ 14.005	€ 14.569	€ 15.282	€ 15.518	€ 16.218	€ 16.595	€ 16.972	€ 17.996	€ 18.439	€ 18.664	€ 20.849	€ 21.264	€ 1.534
400 cm	€ 7.883	€ 8.300	€ 8.809	€ 10.239	€ 10.801	€ 11.397	€ 11.791	€ 12.330	€ 12.820	€ 13.158	€ 14.495	€ 15.067	€ 15.789	€ 16.043	€ 16.810	€ 17.196	€ 17.583	€ 18.635	€ 19.084	€ 19.313	€ 21.563	€ 21.988	€ 1.625
450 cm	€ 8.165	€ 8.592	€ 9.109	€ 10.576	€ 11.151	€ 11.820	€ 12.225	€ 12.774	€ 13.273	€ 13.618	€ 14.995	€ 15.577	€ 16.315	€ 16.578	€ 17.414	€ 17.810	€ 18.205	€ 19.289	€ 19.741	€ 19.972	€ 22.290	€ 22.725	€ 1.718
500 cm	€ 8.440	€ 8.875	€ 9.404	€ 10.903	€ 11.494	€ 12.237	€ 12.646	€ 13.206	€ 13.717	€ 14.068	€ 15.487	€ 16.078	€ 16.834	€ 17.104	€ 18.008	€ 18.413	€ 18.818	€ 19.927	€ 20.386	€ 20.624	€ 23.007	€ 23.452	€ 1.811
550 cm	€ 8.923	€ 9.565	€ 10.145	€ 11.762	€ 12.421	€ 13.211	€ 13.823	€ 14.283	€ 14.995	€ 15.393	€ 16.955	€ 17.604	€ 18.428	€ 18.917	€ 19.656	€ 20.132	€ 20.736	€ 21.959	€ 22.457	€ 22.725			€ 1.904
600 cm	€ 9.203	€ 9.853	€ 10.448	€ 12.095	€ 12.769	€ 13.631	€ 14.254	€ 14.726	€ 15.443	€ 15.847	€ 17.454	€ 18.109	€ 18.951	€ 19.449	€ 20.279	€ 20.741	€ 21.356	€ 22.606					€ 1.997
FS3	€ 219	€ 230	€ 251	€ 276	€ 298	€ 321	€ 344	€ 367	€ 390	€ 413	€ 530	€ 553	€ 576	€ 599	€ 623	€ 646	€ 669	€ 692	€ 715	€ 737	€ 760	€ 783	
FS5-A	€ 40	€ 51	€ 60	€ 68	€ 79	€ 88	€ 98	€ 107	€ 118	€ 126	€ 137	€ 146	€ 156	€ 165	€ 176	€ 184	€ 195	€ 204	€ 214	€ 223	€ 234	€ 242	
FS5-E	€ 56	€ 70	€ 82	€ 94	€ 109	€ 121	€ 135	€ 147	€ 162	€ 174	€ 189	€ 201	€ 215	€ 227	€ 242	€ 254	€ 268	€ 280	€ 295	€ 307	€ 322	€ 334	

FS3	Gutter System (For One Side)
FS5-A	Additional Fabric Support Profile (Standard)
FS5-E	Additional Fabric Support Profile (3 Axis)
FS4 FS10-C	Additional Rail for Compact Series - Al. - 75x120mm Additional Pillar for Compact Series - Al. - 80x80mm
FS8	Lighting System

FS8	
FS8-S	SPOT
FS8-L	LINEAR
FS8-E	3 AXIS ⁸
FS8-LR	LINEAR (RGB)
FS8-ER	3 AXIS (RGB) ⁸

LED TYPE & MODULE		
2 LED	3 LED	4 LED
€ 151	€ 183	€ 216
€ 216	€ 280	
€ 248	€ 323	
€ 274	€ 356	
€ 315	€ 409	

Notes:

- Al. 80x130mm Side Beam is included in the price for right and left side.
- FS Flexy Plain/3D or Stam 6002 is included in the price.
- Motor and Remote control is included in the price.
- Palmiye Aluminium Coating Catalogue includes the standard colours with no extra cost. For any other type/brand/color of paint, price difference and additional delivery duration shall be checked from your customer representative.
- Standard fabric support profile plastic colours are specified in Palmiye Aluminium Coating Catalogue.
- If you use an additional rail you have to add a front pillar. It's included in the price. (FS4+FS10-C)
- The gutter option price is for one side and must be added separately for each side.
- 3 AXIS lights available only at exclusive fabric option.
- Decorative fabric can not be applied to this model.

DEDUCTIONS

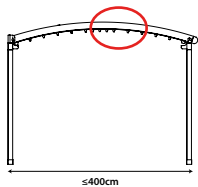
Price deduction is applicable only for front & back pillars and side beam. Deduction amount shall be consider as 70% of related option price.

OPTIONS

FS10-C	Extra pillar (80x80mm Al.)	€ 368	pcs
FS10	Extra pillar (100x100mm Al.)	€ 500	pcs
FS10-ST3	Extra pillar (100x100x3mm St.)	€ 479	pcs
FS10-ST5	Extra pillar (100x100x5mm St.)	€ 698	pcs
FS15-C	Side beam pillar (80x80mm - Al)	€ 368	pcs
FS19	Fix louver	€ 68	lm
FS23	External Square Downpipe	€ 306	pcs
FS24	W96 Ceiling Cover	€ 76	m ²
FS26	Exclusive fabric difference (up to 800cm width)	€ 45	m ²
FS27	3 Axis lighting fabric support profile difference	€ 13	m ²
FS29-1	Sun Sensor (SUNIS) (for single motor)	€ 567	pcs
FS29-1S	Sun Sensor (SUNIS) (for synchronized motor)	€ 903	pcs
FS29-2	Wind Sensor (EOLIS RTS) (for single motor)	€ 267	pcs
FS29-2S	Wind Sensor (EOLIS RTS) (for synchronized motor)	€ 600	pcs
FS29-3	Sun and Wind Sensor (SOLIRIS RTS) (for single motor)	€ 302	pcs
FS29-3S	Sun and Wind Sensor (SOLIRIS RTS) (for synchronized motor)	€ 635	pcs
FS29-42	Rain Sensor (ONDEIS) (for single motor)	€ 524	pcs
FS29-4S3	Rain Sensor (ONDEIS) (for synchronized motor)	€ 856	pcs
FS30	CONNEXOON	€ 479	pcs

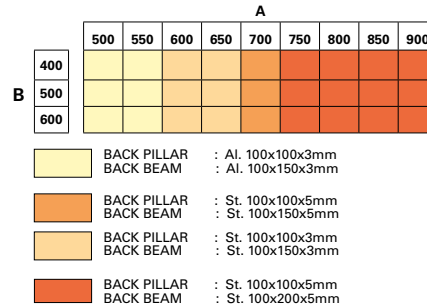
Notes:

1. Fabric support profiles can be painted in the same color as the general construction. No fee is paid for this process. However, the plastic color should be specified from our standard plastic colours in Palmiye Color Chart.
2. For one product, a dry contact transmitter costing 337€, must be added.
3. Up to 5 products, a RS485 Automation interface dry contact transmitter costing 1027€, must be added.
4. Exclusive fabric option can only be selected together with 3 axis fabric support profile. Price difference for 3 axis fabric profile should be added.



For projections of 4 meters or less, an extra fabric profile is added on either side of the central fabric profile to avoid water buildup along the pergola's central axis.

BACK PILLAR POSITION CHANGE



(Construction price difference needs to be added. The deflection doesn't evaluate on this chart.)

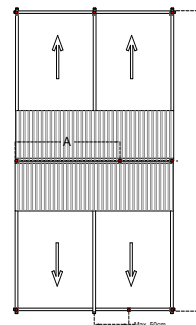
EXTENSIONS

Rail	Compact - 75x120mm	€ 188	lm
Beam	Al. 80x130mm	€ 90	lm
Beam	Al. 100x150mm	€ 141	lm
Beam	St. 100x150x3mm	€ 292	lm
Beam	St. 100x150x5mm	€ 354	lm
Beam	St. 100x200x3mm	€ 296	lm
Beam	St. 100x200x5mm	€ 421	lm
Fabric protection cover	Al. - 63x__ cm	€ 55	m ²
Gutter	Special Profile	€ 41	lm
Pillar	Al. 80x80mm	€ 83	lm
Pillar	Al. 100x100mm	€ 158	lm
Pillar	St. 100x100x3mm	€ 198	lm
Pillar	St. 100x100x5mm	€ 354	lm
Pillar	St. 150x150x3mm	€ 401	lm
Pillar	St. 150x150x5mm	€ 562	lm

*Max. Al. Front pillar (Al. 80x80mm) height is 280cm

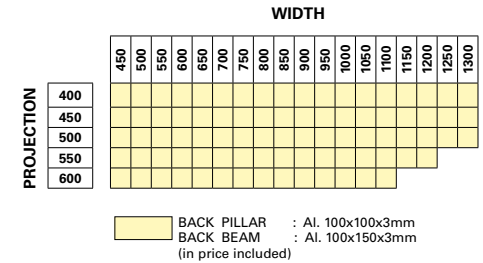
*Max. St 3mm. Front pillar (St. 100x100x3mm) height is 380cm

*Max. St. 5mm Front pillar (St. 100x100x5mm) height is 480cm



Middle front pillars can only be moved max. 50 cm towards right or left side.

STANDARD CONSTRUCTION

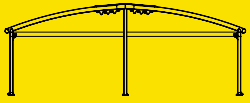


PRICE DIFFERENCE

		BEAM GROUP	
		Standard	Al. 100x150mm
Back Beam	to	St. 100x150x3mm	€ 146 lm
		St. 100x150x5mm	€ 217 lm
		St. 100x200x3mm	€ 150 lm
		St. 100x200x5mm	€ 283 lm
		Standard	Al. 80x130mm
Front Beam	to	Al. 100x150mm	€ 52 lm
		St. 100x150x3mm	€ 214 lm
		St. 100x150x5mm	€ 285 lm
		St. 100x200x3mm	€ 218 lm
		St. 100x200x5mm	€ 351 lm
		PILLAR GROUP	
		Standard	Al. 100x100mm
Back Pillar	to	St. 100x100x3mm	€ 101 pcs
		St. 100x100x5mm	€ 416 pcs
		St. 150x150x3mm	€ 635 pcs
		St. 150x150x5mm	€ 1.124 pcs
		Standard	Al. 80x80mm
Front Pillar	to	Al. 100x100mm	€ 130 pcs
		St. 100x100x3mm	€ 270 pcs
		St. 100x100x5mm	€ 585 pcs
		St. 150x150x3mm	€ 804 pcs
		St. 150x150x5mm	€ 1.292 pcs

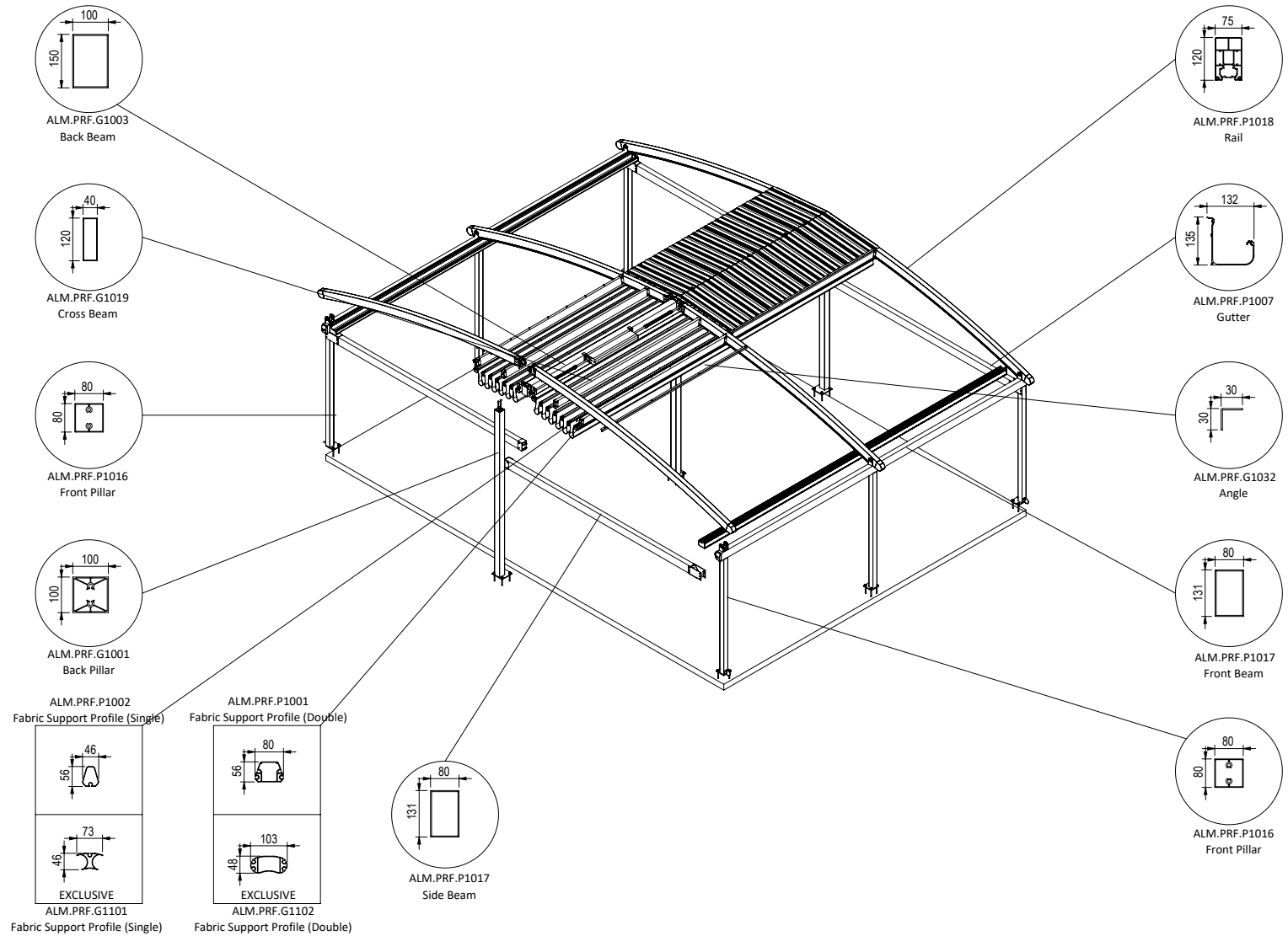
CORAL

Compact Twin



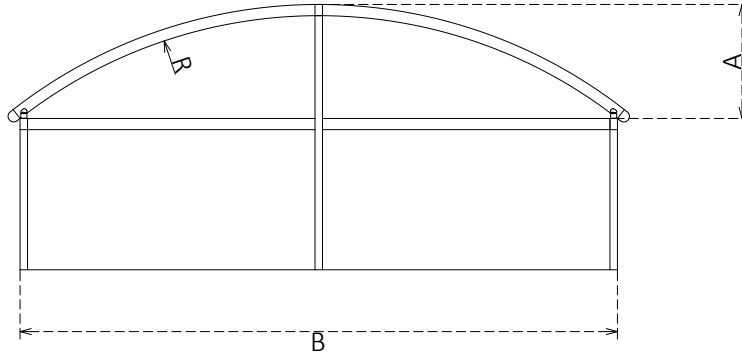
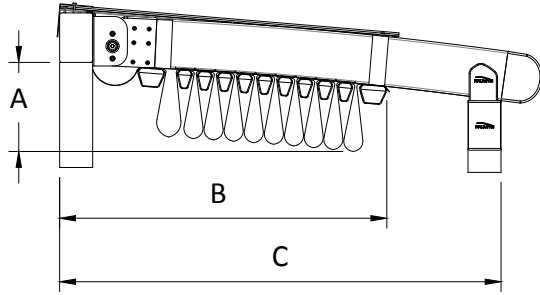
MAXIMUM DIMENSIONS

	WIDTH	PROJECTION
2 RAILS	400 cm	1200 cm
3 RAILS	800 cm	1200 cm
4 RAILS	1200 cm	1200 cm
5 RAILS	1300 cm	1200 cm



TECHNICAL FEATURES

COLLECTED FABRIC DIMENSIONS



No of Fabric Support Profiles	Projection cm										C
	200	250	300	350	400	450	500	550	600		
5	30										68
6		31									74
7			32								81
9				34							94
10					35						100
11						36					107
13							38				120
14								39			126
15									40		133

*Calculated according to a slope of 15%

DRAINAGE CALCULATION

Type	Max. m ²
Compact	30 m ² /pc

* per drainage

There should be at least one drainage, each 8 m length gutter.

RADIUS CHART

RADIUS	650	850	1500	2850	
Projection	A				B
250	34				
300	41				
350	49				
400	58				
450	68	56			
500	81	65			
550	94	74			
600		85			
650		96			
700		109			
750		122	75		
800		137	83		
850		153	91		
900			100		
950			109		
1000			118		
1050			128		
1100			139		
1150			150	89	
1200			161	94	

*The values are approx. ± 5 cm

WIND RESISTANCE

PROJECTION (cm)	WIDTH (cm)																		
	450	500	550	600	650	700	750	800	850	900	950	1000	1050	1100	1150	1200	1250	1300	
800	11	11	11	10	10	9	8	8	11	10	10	10	9	9	8	8	10	10	
900	11	10	10	9	9	8	7	7	10	9	9	9	8	8	7	7	9	9	
1000	10	9	9	8	8	7	7	7	9	8	8	8	7	7	7	7	8	8	
1100	10	9	8	8	8	6	6	6	9	8	8	8	6	6	6	6	8	8	
1200	9	8	8	7	7	6	6	6	8	7	7	7	6	6	6	6	7	7	

All sides open

PROJECTION (cm)	WIDTH (cm)																		
	450	500	550	600	650	700	750	800	850	900	950	1000	1050	1100	1150	1200	1250	1300	
800	10	10	10	10	9	8	8	8	10	10	9	9	8	8	8	8	9	9	
900	10	10	9	9	9	8	8	7	10	9	9	9	8	8	8	7	9	9	
1000	9	9	9	9	9	7	7	7	9	9	9	9	7	7	7	7	9	9	
1100	9	9	9	9	8	7	7	7	9	9	8	8	7	7	7	7	8	8	
1200	9	9	9	9	8	7	7	7	9	9	8	8	7	7	7	7	8	8	

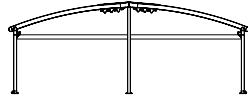
With side enclosure

*The values are given according to the Beaufort scale.

**Calculated for Products with a front height of 250 cm according to Eurocode EN 1991-1-4 Terrain Category 4.

*** You can ask for new calculations for special designs.

CORAL Compact Twin



Projection	Width	2 RAILS				3 RAILS								4 RAILS						5 RAILS		FS4 FS10-C		
		250 cm	300 cm	350 cm	400 cm	450 cm	500 cm	550 cm	600 cm	650 cm	700 cm	750 cm	800 cm	850 cm	900 cm	950 cm	1000 cm	1050 cm	1100 cm	1150 cm	1200 cm	1250 cm	1300 cm	
400 cm		€ 9.946	€ 10.432	€ 11.378	€ 11.871	€ 14.015	€ 14.502	€ 14.995	€ 15.480	€ 16.422	€ 16.914	€ 17.486	€ 17.971	€ 19.680	€ 20.147	€ 21.066	€ 21.534	€ 21.996	€ 22.466	€ 22.927	€ 23.394	€ 26.107	€ 26.838	€ 1.625
450 cm		€ 10.203	€ 10.825	€ 11.653	€ 12.153	€ 14.406	€ 14.900	€ 15.526	€ 16.020	€ 16.842	€ 17.337	€ 17.921	€ 18.541	€ 20.354	€ 20.834	€ 21.631	€ 22.107	€ 22.706	€ 23.183	€ 23.652	€ 24.127	€ 26.949	€ 27.684	€ 1.718
500 cm		€ 10.461	€ 11.214	€ 11.926	€ 12.431	€ 14.796	€ 15.294	€ 16.057	€ 16.554	€ 17.262	€ 17.759	€ 18.353	€ 19.106	€ 21.028	€ 21.518	€ 22.196	€ 22.676	€ 23.415	€ 23.894	€ 24.374	€ 24.856	€ 27.785	€ 28.528	€ 1.811
550 cm		€ 10.867	€ 11.661	€ 12.409	€ 12.954	€ 15.461	€ 15.999	€ 16.800	€ 17.337	€ 18.082	€ 18.619	€ 19.248	€ 20.042	€ 22.105	€ 22.628	€ 23.350	€ 23.867	€ 24.642	€ 25.158	€ 25.678	€ 26.197	€ 29.267	€ 30.049	€ 1.904
600 cm		€ 11.270	€ 12.110	€ 12.894	€ 13.476	€ 16.125	€ 16.704	€ 17.541	€ 18.118	€ 18.898	€ 19.476	€ 20.141	€ 20.974	€ 23.183	€ 23.737	€ 24.501	€ 25.055	€ 25.866	€ 26.419	€ 26.979	€ 27.537	€ 30.745	€ 31.565	€ 1.997
650 cm		€ 11.663	€ 12.383	€ 13.174	€ 13.889	€ 16.651	€ 17.235	€ 17.952	€ 18.666	€ 19.454	€ 20.038	€ 20.712	€ 21.552	€ 23.872	€ 24.436	€ 25.328	€ 25.895	€ 26.587	€ 27.148	€ 27.840	€ 28.405	€ 31.723	€ 32.428	€ 2.089
700 cm		€ 12.057	€ 12.657	€ 13.452	€ 14.304	€ 17.177	€ 17.769	€ 18.365	€ 19.212	€ 20.011	€ 20.601	€ 21.284	€ 22.131	€ 24.564	€ 25.136	€ 26.155	€ 26.733	€ 27.305	€ 27.879	€ 28.700	€ 29.270	€ 32.700	€ 33.289	€ 2.182
750 cm		€ 12.324	€ 12.930	€ 13.735	€ 14.591	€ 17.578	€ 18.177	€ 18.785	€ 19.637	€ 20.443	€ 21.042	€ 21.730	€ 22.582	€ 25.130	€ 25.709	€ 26.737	€ 27.322	€ 27.903	€ 28.481	€ 29.311	€ 29.888	€ 33.432	€ 34.028	€ 2.275
800 cm		€ 12.590	€ 13.201	€ 14.014	€ 14.876	€ 17.976	€ 18.585	€ 19.200	€ 20.060	€ 20.871	€ 21.479	€ 22.174	€ 23.031	€ 25.694	€ 26.281	€ 27.316	€ 27.908	€ 28.499	€ 29.082	€ 29.921	€ 30.504	€ 34.161	€ 34.764	€ 2.368
850 cm		€ 12.860	€ 13.483	€ 14.304	€ 15.175	€ 18.384	€ 19.002	€ 19.625	€ 20.490	€ 21.310	€ 21.923	€ 22.630	€ 23.495	€ 26.267	€ 26.860	€ 27.906	€ 28.504	€ 29.099	€ 29.694	€ 30.539	€ 31.131	€ 34.899	€ 35.506	€ 2.461
900 cm		€ 13.133	€ 13.764	€ 14.591	€ 15.470	€ 18.792	€ 19.420	€ 20.048	€ 20.919	€ 21.747	€ 22.367	€ 23.082	€ 23.956	€ 26.836	€ 27.440	€ 28.495	€ 29.098	€ 29.700	€ 30.303	€ 31.153	€ 31.756	€ 35.634	€ 36.245	€ 2.552
950 cm		€ 13.401	€ 14.038	€ 14.874	€ 15.758	€ 19.196	€ 19.830	€ 20.463	€ 21.344	€ 22.179	€ 22.807	€ 23.527	€ 24.408	€ 27.406	€ 28.015	€ 29.076	€ 29.688	€ 30.296	€ 30.906	€ 31.764	€ 32.375	€ 36.363	€ 36.985	€ 2.645
1000 cm		€ 13.667	€ 14.311	€ 15.154	€ 16.047	€ 19.598	€ 20.236	€ 20.876	€ 21.766	€ 22.606	€ 23.244	€ 23.970	€ 24.856	€ 27.973	€ 28.587	€ 29.654	€ 30.276	€ 30.889	€ 31.503	€ 32.372	€ 32.992	€ 37.090	€ 37.720	€ 2.738
1050 cm		€ 14.089	€ 14.893	€ 15.775	€ 16.702	€ 20.398	€ 21.078	€ 21.882	€ 22.669	€ 23.686	€ 24.361	€ 25.124	€ 26.047	€ 29.306	€ 30.086	€ 31.063	€ 31.720	€ 32.502	€ 33.150	€ 34.055	€ 34.711	€ 38.955	€ 39.745	€ 2.831
1100 cm		€ 14.509	€ 15.473	€ 16.395	€ 17.360	€ 21.199	€ 21.918	€ 22.884	€ 23.568	€ 24.763	€ 25.474	€ 26.278	€ 27.235	€ 30.639	€ 31.582	€ 32.469	€ 33.162	€ 34.110	€ 34.796	€ 35.733	€ 36.425	€ 40.815	€ 41.765	€ 2.924
1150 cm		€ 14.789	€ 15.762	€ 16.690	€ 17.664	€ 21.612	€ 22.338	€ 23.314	€ 24.021	€ 25.207	€ 25.928	€ 26.735	€ 27.701	€ 31.216	€ 32.165	€ 33.162	€ 33.763	€ 34.716	€ 35.411	€ 36.355	€ 37.056	€ 41.555	€ 42.512	€ 3.016
1200 cm		€ 15.070	€ 16.052	€ 16.987	€ 17.967	€ 22.027	€ 22.759	€ 23.743	€ 24.473	€ 25.651	€ 26.380	€ 27.194	€ 28.171	€ 31.795	€ 32.748	€ 33.854	€ 34.366	€ 35.324	€ 36.027	€ 36.978	€ 37.688	€ 42.294	€ 43.262	€ 3.109
FS3		€ 219	€ 230	€ 251	€ 276	€ 298	€ 321	€ 344	€ 367	€ 390	€ 413	€ 530	€ 553	€ 576	€ 599	€ 623	€ 646	€ 669	€ 692	€ 715	€ 737	€ 760	€ 783	
FS5-A		€ 40	€ 51	€ 60	€ 68	€ 79	€ 88	€ 98	€ 107	€ 118	€ 126	€ 137	€ 146	€ 156	€ 165	€ 176	€ 184	€ 195	€ 204	€ 214	€ 223	€ 234	€ 242	
FS5-E		€ 56	€ 70	€ 82	€ 94	€ 109	€ 121	€ 135	€ 147	€ 162	€ 174	€ 189	€ 201	€ 215	€ 227	€ 242	€ 254	€ 268	€ 280	€ 295	€ 307	€ 322	€ 334	

Notes:

- Al. 80x130mm Side Beam is included in the price for right and left side.
- FS Flexy Plain/3D or Stam 6002 is included in the price.
- Motor and Remote control is included in the price.
- Palmiye Aluminium Coating Catalogue includes the standard colours with no extra cost. For any other type/brand/color of paint, price difference and additional delivery duration shall be checked from your customer representative.
- Standard fabric support profile plastic colours are specified in Palmiye Aluminium Coating Catalogue.
- If you use an additional rail you have to add a front pillar. It's included in the price. (FS4+FS10-C)
- The gutter option price is for one side and must be added separately for each side.
- In pergolas including steel front pillars, if gutter option is preferred, external water drainage points will be specified according to the Project and will be priced additionally.
- 3 AXIS lights available only at exclusive fabric option.

DEDUCTIONS

Price deduction is applicable only for front & back pillars and side beam. Deduction amount shall be consider as 70% of related option price.

FS3	Gutter System (For One Side)
FS5-A	Additional Fabric Support Profile (Standard)
FS5-E	Additional Fabric Support Profile (3 Axis)
FS4 FS10-C	Additional Rail for Compact Series- Al.- 75x120mm Additional Pillar for Compact Series- Al.- 80x80mm
FS8	Lighting System

FS8	
FS8-S	SPOT
FS8-L	LINEAR
FS8-E	3 AXIS ⁹
FS8-LR	LINEAR (RGB)
FS8-ER	3 AXIS (RGB) ⁹

LEDTYPE & MODULE		
2 LED	3 LED	4 LED
€ 151	€ 183	€ 216
€ 216	€ 280	
€ 248	€ 323	
€ 274	€ 356	
€ 315	€ 409	

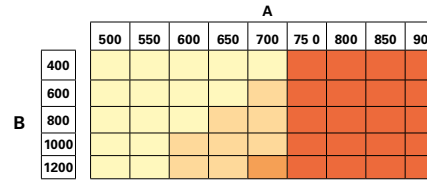
OPTIONS

FS10-C	Extra pillar (80x80mm Al.)	€ 368	pcs
FS10	Extra pillar (100x100mm Al.)	€ 500	pcs
FS10-ST3	Extra pillar (100x100x3mm St.)	€ 479	pcs
FS10-ST5	Extra pillar (100x100x5mm St.)	€ 698	pcs
FS11	Deco ceiling cover	€ 66	m ²
FS15-C	Side beam pillar (80x80mm - Al)	€ 368	pcs
FS19	Fix louver	€ 68	lm
FS23	External Square Downpipe	€ 306	pcs
FS24	W96 Ceiling Cover	€ 76	m ²
FS26	Exclusive fabric difference (up to 800cm width)	€ 45	m ²
FS27	3 Axis lighting fabric support profile difference	€ 13	m ²
FS29-1	Sun Sensor (SUNIS) (for single motor)	€ 567	pcs
FS29-1S	Sun Sensor (SUNIS) (for synchronized motor)	€ 903	pcs
FS29-2	Wind Sensor (EOLIS RTS) (for single motor)	€ 267	pcs
FS29-2S	Wind Sensor (EOLIS RTS) (for synchronized motor)	€ 600	pcs
FS29-3	Sun and Wind Sensor (SOLIRIS RTS) (for single motor)	€ 302	pcs
FS29-3S	Sun and Wind Sensor (SOLIRIS RTS) (for synchronized motor)	€ 635	pcs
FS29-4 ^{2/3}	Rain Sensor (ONDEIS) (for single motor)	€ 524	pcs
FS29-4S ^{2/3}	Rain Sensor (ONDEIS) (for synchronized motor)	€ 856	pcs
FS30	CONNEXOON	€ 479	pcs

Notes:

- Fabric support profiles can be painted in the same color as the general construction. No fee is paid for this process. However, the plastic color should be specified from our standard plastic colours in Palmiye Color Chart.
- For one product, a dry contact transmitter costing 337€, must be added.
- Up to 5 products, a RS485 Automation interface dry contact transmitter costing 1027€, must be added.
- Exclusive fabric option can only be selected together with 3 axis fabric support profile. Price difference for 3 axis fabric profile should be added.

BACK PILLAR POSITION CHANGE



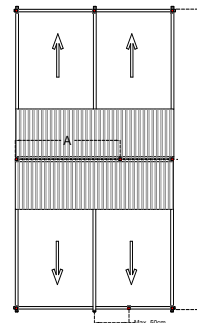
	BACK PILLAR	: Al. 100x100x3mm
	BACK BEAM	: Al. 100x150x3mm
	BACK PILLAR	: St. 100x100x5mm
	BACK BEAM	: St. 100x150x5mm
	BACK PILLAR	: St. 100x100x3mm
	BACK BEAM	: St. 100x150x3mm
	BACK PILLAR	: St. 100x100x5mm
	BACK BEAM	: St. 100x200x5mm

* Price difference needs to be added.
(The deflection doesn't evaluate on this chart)

EXTENSIONS

Rail	Compact - 75x120mm	€ 188	lm
Beam	Al. 80x130mm	€ 90	lm
Beam	Al. 100x150mm	€ 141	lm
Beam	St. 100x150x3mm	€ 292	lm
Beam	St. 100x150x5mm	€ 354	lm
Beam	St. 100x200x3mm	€ 296	lm
Beam	St. 100x200x5mm	€ 421	lm
Fabric protection cover	Al. - 63x__cm	€ 55	m ²
Gutter	Special Profile	€ 41	lm
Pillar	Al. 80x80mm	€ 83	lm
Pillar	Al. 100x100mm	€ 158	lm
Pillar	St. 100x100x3mm	€ 198	lm
Pillar	St. 100x100x5mm	€ 354	lm
Pillar	St. 150x150x3mm	€ 401	lm
Pillar	St. 150x150x5mm	€ 562	lm

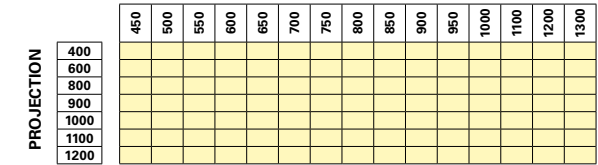
- *Max. Al. Front pillar (Al. 80x80mm) height is 280cm
- *Max. St 3mm. Front pillar (St. 100x100x3mm) height is 380cm
- *Max. St. 5mm Front pillar (St. 100x100x5mm) height is 480cm



Middle front pillars can only be moved max. 50 cm towards right or left side.

STANDARD CONSTRUCTION

WIDTH



	BACK PILLAR	: Al. 100x100x3mm
	BACK BEAM	: Al. 100x150x3mm

(in price included)

PRICE DIFFERENCE

BEAM GROUP

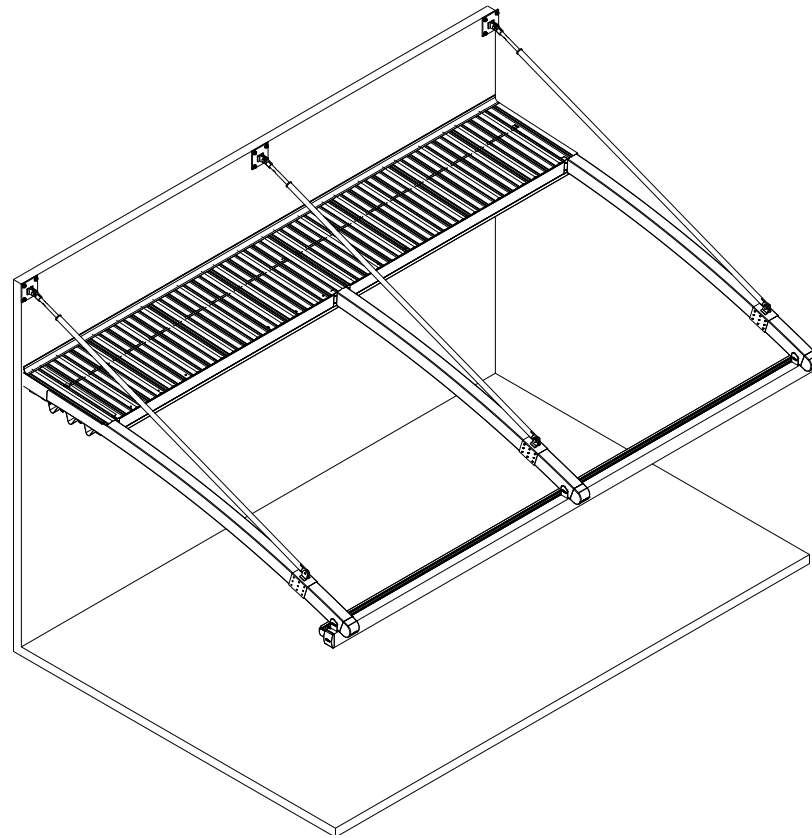
Standard		Al. 100x150mm	
to	St. 100x150x3mm	€ 146	lm
	St. 100x150x5mm	€ 217	lm
	St. 100x200x3mm	€ 150	lm
	St. 100x200x5mm	€ 283	lm

Standard		Al. 80x130mm	
to	Al. 100x150mm	€ 52	lm
	St. 100x150x3mm	€ 214	lm
	St. 100x150x5mm	€ 285	lm
	St. 100x200x3mm	€ 218	lm
	St. 100x200x5mm	€ 351	lm

PILLAR GROUP

Standard		Al. 100x100mm	
to	St. 100x100x3mm	€ 101	pcs
	St. 100x100x5mm	€ 416	pcs
	St. 150x150x3mm	€ 635	pcs
	St. 150x150x5mm	€ 1.124	pcs

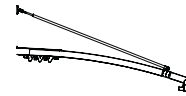
Standard		Al. 80x80mm	
to	Al. 100x100mm	€ 130	pcs
	St. 100x100x3mm	€ 270	pcs
	St. 100x100x5mm	€ 585	pcs
	St. 150x150x3mm	€ 804	pcs
	St. 150x150x5mm	€ 1.292	pcs



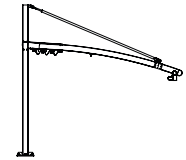
CORAL HANGING

PRODUCT FORMS

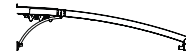
- **Coral Hanging** Wall / Ceiling



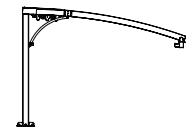
- **Coral Hanging** Freestanding



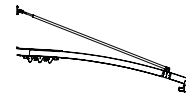
- **Coral Hanging** Wall / Ceiling Installation - Buttress



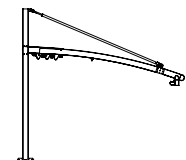
- **Coral Hanging** Freestanding - Buttress



- **Coral Compact Hanging** Wall / Ceiling



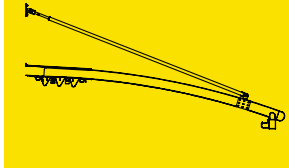
- **Coral Compact Hanging** Freestanding



CORAL

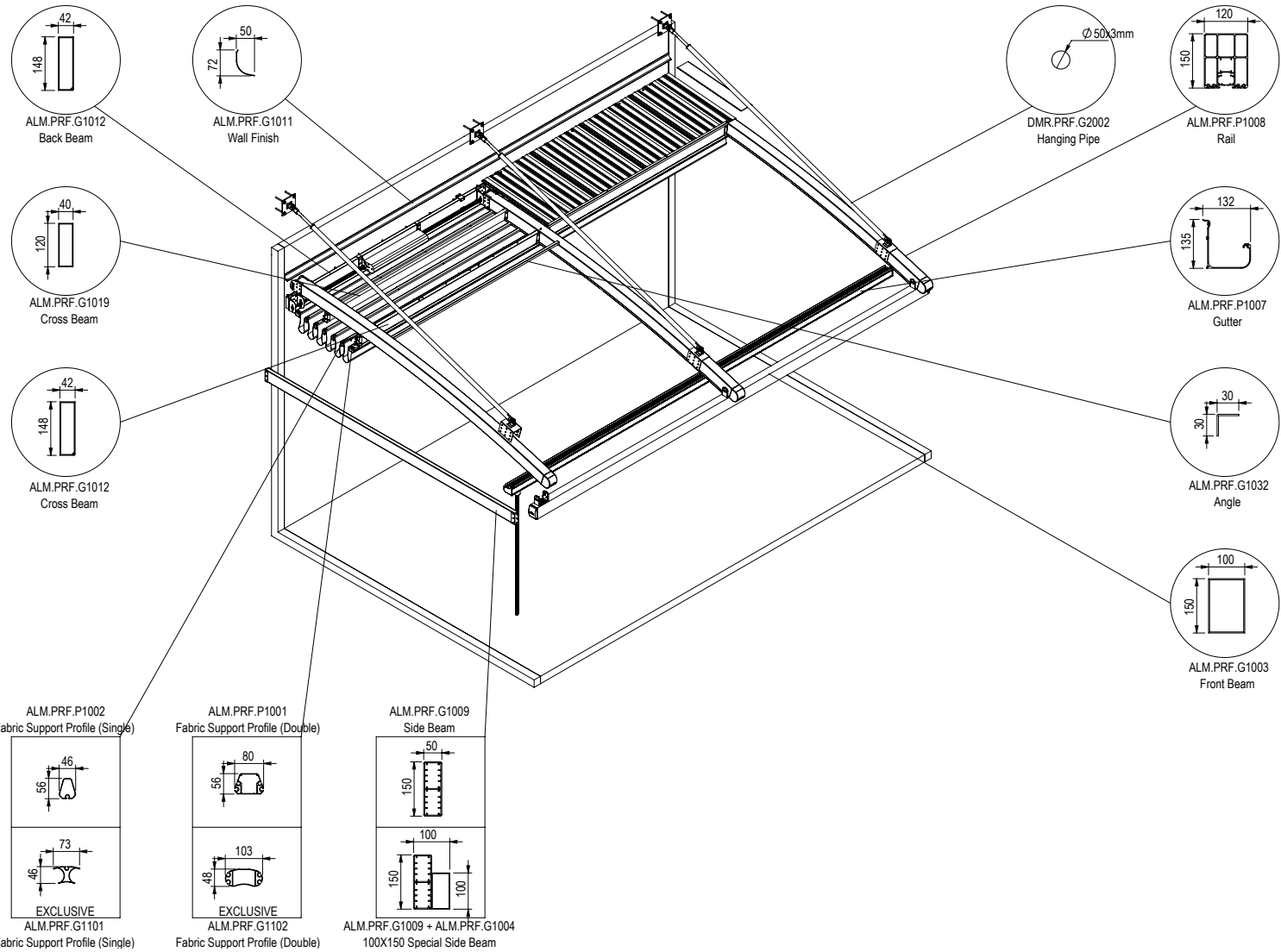
Hanging

Wall / Ceiling



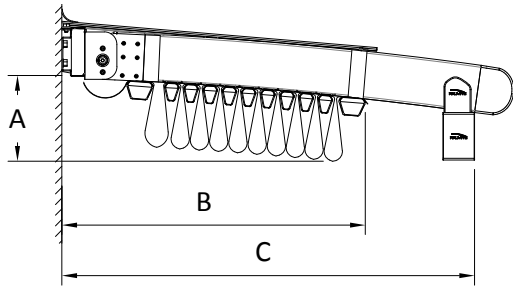
MAXIMUM DIMENSIONS

	WIDTH	PROJECTION
2 RAILS	400 cm	600 cm
3 RAILS	800 cm	600 cm
4 RAILS	1200 cm	600 cm
5 RAILS	1300 cm	600 cm



TECHNICAL FEATURES

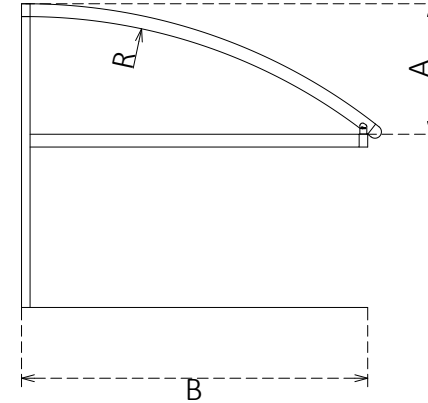
COLLECTED FABRIC DIMENSIONS



RADIUS CHART

RADIUS	850	1500	2850
B	A		
250	63		
300	83		
350	107		
400	135	82	
450	168	98	
500		116	
550		137	
600		160	93

*The values are approx. ± 5 cm



No of Fabric Support Profiles	Projection cm										C
	200	250	300	350	400	450	500	550	600		
5	30										68
6		31									74
7			32								81
9				34							94
10					35						100
11						36					107
13							38				120
14								39			126
15									40		133

*Calculated according to a slope of 15%

DRAINAGE CALCULATION

Type	Max. m ²
Full	39 m ² /pc

* per drainage

There should be at least one drainage, each 8 m length gutter.

WIND RESISTANCE

PROJECTION (cm)	WIDTH (cm)																	
	450	500	550	600	650	700	750	800	850	900	950	1000	1050	1100	1150	1200	1250	1300
400	10	10	10	9	9	9	8	8	8	7	9	9	9	8	8	8	8	7
450	10	9	8	8	8	8	7	7	7	7	8	8	8	7	7	7	7	7
500	9	8	7	7	7	7	6	6	6	6	7	7	7	6	6	6	6	6
550	8	7	7	7	7	6	6	6	6	6	7	6	6	6	6	6	6	6
600	7	6	6	6	6	5	5	5	5	5	6	5	5	5	5	5	5	5

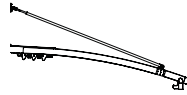
*The values are given according to the Beaufort scale.

**Calculated for Products with a front height of 250 cm according to Eurocode EN 1991-1-4 Terrain Category 4.

*** You can ask for new calculations for special designs.

All sides open

CORAL Hanging Wall / Ceiling



Projection	Width	2 RAILS				3 RAILS								4 RAILS						5 RAILS		FS4	FS9	FS9-S		
		250 cm	300 cm	350 cm	400 cm	450 cm	500 cm	550 cm	600 cm	650 cm	700 cm	750 cm	800 cm	850 cm	900 cm	950 cm	1000 cm	1050 cm	1100 cm	1150 cm	1200 cm				1250 cm	1300 cm
200 cm		€ 7.636	€ 8.015	€ 8.744	€ 9.128	€ 10.782	€ 11.159	€ 11.544	€ 11.921	€ 12.651	€ 13.034	€ 13.481	€ 13.858	€ 15.181	€ 15.550	€ 16.264	€ 16.631	€ 16.994	€ 17.361	€ 17.723	€ 18.090	€ 20.197	€ 20.769	€ 1.082	€ 221	€ 294
250 cm		€ 8.046	€ 8.628	€ 9.179	€ 9.573	€ 11.400	€ 11.789	€ 12.383	€ 12.771	€ 13.322	€ 13.712	€ 14.172	€ 14.761	€ 16.252	€ 16.636	€ 17.167	€ 17.544	€ 18.123	€ 18.500	€ 18.877	€ 19.256	€ 21.535	€ 22.117	€ 1.194	€ 267	€ 367
300 cm		€ 8.679	€ 9.329	€ 9.939	€ 10.389	€ 12.443	€ 12.896	€ 13.546	€ 13.998	€ 14.606	€ 15.058	€ 15.577	€ 16.230	€ 17.947	€ 18.382	€ 18.981	€ 19.417	€ 20.052	€ 20.487	€ 20.929	€ 21.370	€ 23.869	€ 24.516	€ 1.306	€ 313	€ 441
350 cm		€ 9.297	€ 9.765	€ 10.384	€ 11.047	€ 13.278	€ 13.741	€ 14.207	€ 14.869	€ 15.494	€ 15.956	€ 16.491	€ 17.153	€ 19.048	€ 19.500	€ 20.298	€ 20.755	€ 21.207	€ 21.658	€ 22.303	€ 22.756	€ 25.434	€ 25.900	€ 1.419	€ 358	€ 514
400 cm		€ 9.722	€ 10.200	€ 10.835	€ 11.508	€ 13.918	€ 14.396	€ 14.879	€ 15.550	€ 16.187	€ 16.665	€ 17.209	€ 17.882	€ 19.961	€ 20.424	€ 21.238	€ 21.704	€ 22.172	€ 22.635	€ 23.297	€ 23.758	€ 26.621	€ 27.099	€ 1.531	€ 404	€ 588
450 cm		€ 10.157	€ 10.651	€ 11.298	€ 11.986	€ 14.574	€ 15.067	€ 15.560	€ 16.243	€ 16.895	€ 17.384	€ 17.945	€ 18.633	€ 20.885	€ 21.363	€ 22.192	€ 22.670	€ 23.148	€ 23.626	€ 24.299	€ 24.777	€ 27.817	€ 28.306	€ 1.643	€ 449	€ 661
500 cm		€ 10.586	€ 11.089	€ 11.752	€ 12.450	€ 15.222	€ 15.726	€ 16.231	€ 16.929	€ 17.590	€ 18.095	€ 18.667	€ 19.366	€ 21.807	€ 22.295	€ 23.137	€ 23.630	€ 24.118	€ 24.606	€ 25.294	€ 25.788	€ 29.007	€ 29.511	€ 1.756	€ 495	€ 734
550 cm		€ 11.014	€ 11.528	€ 12.206	€ 12.914	€ 15.871	€ 16.385	€ 16.902	€ 17.616	€ 18.285	€ 18.807	€ 19.389	€ 20.098	€ 22.729	€ 23.227	€ 24.081	€ 24.589	€ 25.088	€ 25.586	€ 26.290	€ 26.798	€ 30.197	€ 30.716	€ 1.868	€ 541	€ 808
600 cm		€ 11.443	€ 11.967	€ 12.660	€ 13.379	€ 16.520	€ 17.044	€ 17.573	€ 18.302	€ 18.980	€ 19.519	€ 20.112	€ 20.830	€ 23.650	€ 24.159	€ 25.025	€ 25.549	€ 26.057	€ 26.566	€ 27.285	€ 27.809	€ 31.387	€ 31.921	€ 1.981	€ 586	€ 881
FS3		€ 219	€ 230	€ 251	€ 276	€ 298	€ 321	€ 344	€ 367	€ 390	€ 413	€ 530	€ 553	€ 576	€ 599	€ 623	€ 646	€ 669	€ 692	€ 715	€ 737	€ 760	€ 783			
FS5-A		€ 40	€ 51	€ 60	€ 68	€ 79	€ 88	€ 98	€ 107	€ 118	€ 126	€ 137	€ 146	€ 156	€ 165	€ 176	€ 184	€ 195	€ 204	€ 214	€ 223	€ 234	€ 242			
FS5-E		€ 56	€ 70	€ 82	€ 94	€ 109	€ 121	€ 135	€ 147	€ 162	€ 174	€ 189	€ 201	€ 215	€ 227	€ 242	€ 254	€ 268	€ 280	€ 295	€ 307	€ 322	€ 334			

FS3	Gutter System
FS5-A	Additional Fabric Support Profile (Standard)
FS5-E	Additional Fabric Support Profile (3 Axis)
FS4	Additional Rail - Al.- 120x150mm
FS8	Lighting System
FS9	Side Beam - Al.- 50x150mm
FS9-S	Side Beam - Al.- 100x150mm (Special)

FS8	
FS8-S	SPOT
FS8-L	LINEAR
FS8-E	3 AXIS ⁶
FS8-LR	LINEAR (RGB)
FS8-ER	3 AXIS (RGB) ⁶

LED TYPE & MODULE		
2 LED	3 LED	4 LED
€ 151	€ 183	€ 216
€ 216	€ 280	
€ 248	€ 323	
€ 274	€ 356	
€ 315	€ 409	

Notes:

- Any Side Beam is not included in the price.
- FS Flexy Plain/3D or Stam 6002 is included in the price.
- Motor and Remote control is included in the price.
- Palmye Aluminium Coating Catalogue includes the standard colours with no extra cost. For any other type/brand/color of paint, price difference and additional delivery duration shall be checked from your customer representative.
- Standard fabric support profile plastic colours are specified in Palmye Aluminium Coating Catalogue.
- 3 AXIS lights available only at exclusive fabric option.

OPTIONS

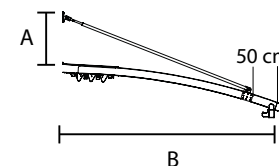
FS11	Deco ceiling cover	€ 66	m ²
FS15	Side beam pillar (50x100mm - Al)	€ 259	pcs
FS15-B	Side beam pillar (100x100mm - Al)	€ 500	pcs
FS19	Fix louver	€ 68	lm
FS24	W96 Ceiling Cover	€ 76	m ²
FS26	Exclusive fabric difference (up to 800cm width)	€ 45	m ²
FS27	3 Axis lighting fabric support profile difference	€ 13	m ²
FS28-1	Stainless steel chain - 100 cm	€ 72	1m
FS28-2	Stainless steel chain - 200 cm	€ 140	2m
FS28-3	Stainless steel chain - 300 cm	€ 204	3m
FS28-4	Stainless steel chain - 400 cm	€ 272	4m
FS29-1	Sun Sensor (SUNIS) (for single motor)	€ 567	pcs
FS29-1S	Sun Sensor (SUNIS) (for synchronized motor)	€ 903	pcs
FS29-2	Wind Sensor (EOLIS RTS) (for single motor)	€ 267	pcs
FS29-2S	Wind Sensor (EOLIS RTS) (for synchronized motor)	€ 600	pcs
FS29-3	Sun and Wind Sensor (SOLIRIS RTS) (for single motor)	€ 302	pcs
FS29-3S	Sun and Wind Sensor (SOLIRIS RTS) (for synchronized motor)	€ 635	pcs
FS29-42	Rain Sensor (ONDEIS) (for single motor)	€ 524	pcs
FS29-4S3	Rain Sensor (ONDEIS) (for synchronized motor)	€ 856	pcs
FS30	CONNEXOON	€ 479	pcs

EXTENSIONS

Rail	- 120x150mm	€ 308	lm
Beam	Al. 42x150mm	€ 96	lm
Beam	Al. 50x150mm	€ 169	lm
Beam	Al. 100x150mm	€ 141	lm
Beam	St. 100x150x3mm	€ 292	lm
Beam	St. 100x150x5mm	€ 354	lm
Beam	St. 100x200x3mm	€ 296	lm
Beam	St. 100x200x5mm	€ 421	lm
Fabric protection cover	Al. - 63x__cm	€ 55	m ²
Gutter	Special Profile	€ 41	lm

PRICE DIFFERENCE

BEAM GROUP			
Standard	Al. 42x150mm		
Back Beam to	Al. 50x150mm	€ 74	lm
	St. 5+0x150x3mm	€ 95	lm
	St. 50x150x5mm	€ 176	lm
	Al. 100x150mm	€ 44	lm
	St. 100x150x3mm	€ 192	lm
	St. 100x150x5mm	€ 260	lm
	St. 100x200x3mm	€ 196	lm
	St. 100x200x5mm	€ 328	lm



MINIMUM "A" VALUES

B (cm)	250	300	350	400	450	500	550	600
A (cm)	50	50	50	60	70	80	90	100

Upper values will be evaluated on a project basis.

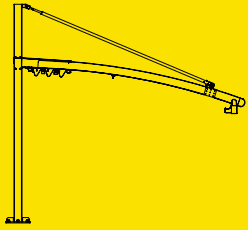
Notes:

1. Fabric support profiles can be painted in the same color as the general construction. No fee is paid for this process. However, the plastic color should be specified from our standard plastic colours in Palmiye Color Chart.
2. For one product, a dry contact transmitter costing 337€, must be added.
3. Up to 5 products, a RS485 Automation interface dry contact transmitter costing 1027€, must be added.
4. Exclusive fabric option can only be selected together with 3 axis fabric support profile. Price difference for 3 axis fabric profile should be added.

CORAL

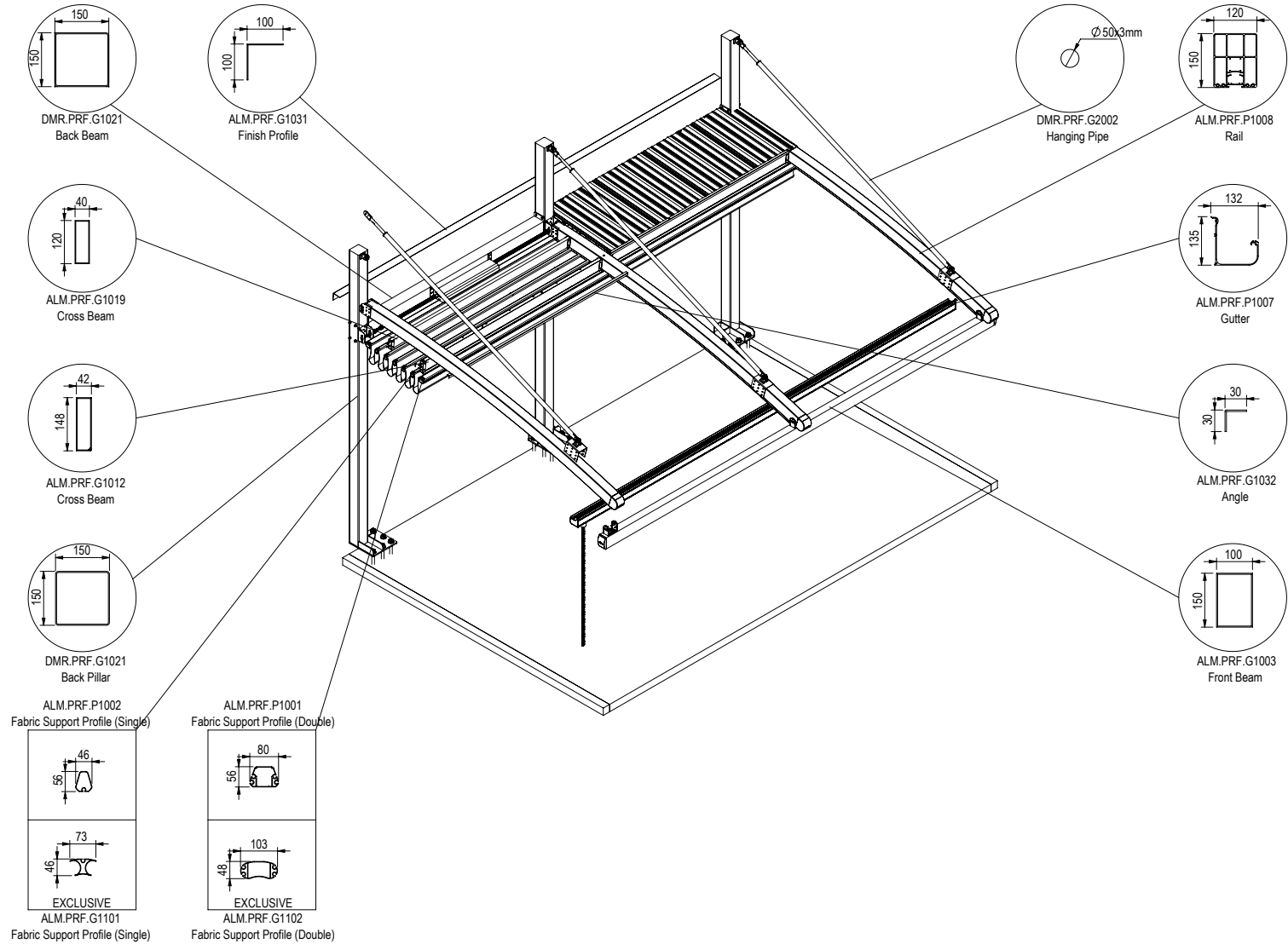
Hanging

Freestanding



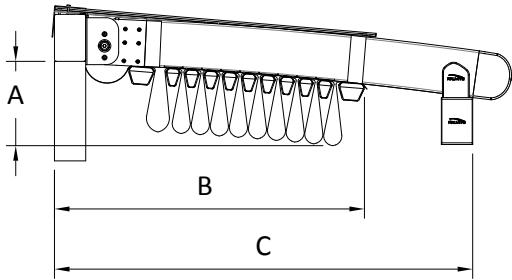
MAXIMUM DIMENSIONS

	WIDTH	PROJECTION
2 RAILS	400 cm	600 cm
3 RAILS	800 cm	600 cm
4 RAILS	1200 cm	600 cm
5 RAILS	1300 cm	600 cm



TECHNICAL FEATURES

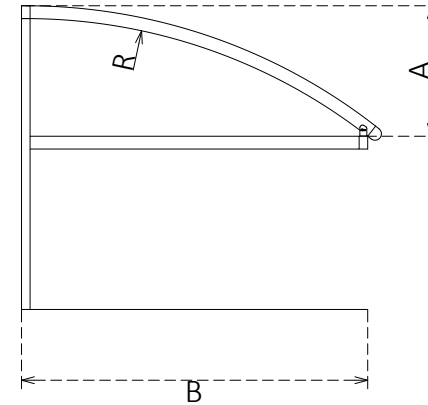
COLLECTED FABRIC DIMENSIONS



RADIUS CHART

RADIUS	850	1500	2850
B	A		
250	63		
300	83		
350	107		
400	135	82	
450	168	98	
500		116	
550		137	
600		160	93

*The values are approx. ± 5 cm



TILTED VERSION Projection cm

No of Fabric Support Profiles	200	250	300	350	400	450	500	550	600	C
5	31									73
6		32								79
7			33							86
9				35						99
10					36					105
11						37				112
13							39			125
14								40		131
15									41	138



*Calculated according to a slope of 15%

DRAINAGE CALCULATION

Type	Max. m ²
Full	39 m ² /pc

* per drainage

There should be at least one drainage, each 8 m length gutter.

WIND RESISTANCE

PROJECTION (cm)	WIDTH																	
	450	500	550	600	650	700	750	800	850	900	950	1000	1050	1100	1150	1200	1250	1300
400	10	10	10	9	9	9	9	8	8	8	9	9	9	9	8	8	8	8
450	9	9	9	8	8	8	8	7	7	7	8	8	8	8	7	7	7	7
500	8	8	8	8	8	7	7	7	7	6	8	7	7	7	7	7	7	6
550	8	8	7	7	7	7	6	6	6	6	7	7	7	6	6	6	6	6
600	7	7	7	6	6	6	6	6	5	5	6	6	6	6	6	6	5	5

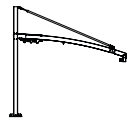
All sides open

*The values are given according to the Beaufort scale.

**Calculated for Products with a front height of 250 cm according to Eurocode EN 1991-1-4 Terrain Category 4.

*** You can ask for new calculations for special designs.

CORAL Hanging Freestanding



Projection	Width																				FS4	FS9	FS9-S		
	2 RAILS				3 RAILS						4 RAILS						5 RAILS								
	250 cm	300 cm	350 cm	400 cm	450 cm	500 cm	550 cm	600 cm	650 cm	700 cm	750 cm	800 cm	850 cm	900 cm	950 cm	1000 cm	1050 cm	1100 cm	1150 cm	1200 cm	1250 cm	1300 cm			
200 cm	€ 8.955	€ 9.334	€ 10.063	€ 10.447	€ 12.761	€ 13.138	€ 13.522	€ 13.899	€ 14.630	€ 15.012	€ 15.460	€ 15.837	€ 17.819	€ 18.188	€ 18.902	€ 19.269	€ 19.632	€ 19.999	€ 20.361	€ 20.728	€ 23.494	€ 24.066	€ 1.082	€ 221	€ 294
250 cm	€ 9.365	€ 9.947	€ 10.498	€ 10.892	€ 13.379	€ 13.768	€ 14.362	€ 14.749	€ 15.301	€ 15.690	€ 16.151	€ 16.740	€ 18.890	€ 19.274	€ 19.805	€ 20.182	€ 20.761	€ 21.138	€ 21.515	€ 21.894	€ 24.833	€ 25.415	€ 1.194	€ 267	€ 367
300 cm	€ 9.998	€ 10.648	€ 11.258	€ 11.708	€ 14.422	€ 14.874	€ 15.524	€ 15.977	€ 16.585	€ 17.037	€ 17.556	€ 18.208	€ 20.585	€ 21.020	€ 21.619	€ 22.055	€ 22.690	€ 23.125	€ 23.567	€ 24.008	€ 27.166	€ 27.813	€ 1.306	€ 313	€ 441
350 cm	€ 10.616	€ 11.084	€ 11.703	€ 12.366	€ 15.256	€ 15.719	€ 16.185	€ 16.847	€ 17.472	€ 17.935	€ 18.469	€ 19.132	€ 21.686	€ 22.138	€ 22.936	€ 23.393	€ 23.845	€ 24.296	€ 24.941	€ 25.394	€ 28.732	€ 29.198	€ 1.419	€ 358	€ 514
400 cm	€ 11.041	€ 11.519	€ 12.154	€ 12.827	€ 15.897	€ 16.375	€ 16.858	€ 17.529	€ 18.165	€ 18.643	€ 19.188	€ 19.860	€ 22.599	€ 23.062	€ 23.876	€ 24.342	€ 24.810	€ 25.273	€ 25.935	€ 26.396	€ 29.918	€ 30.396	€ 1.531	€ 404	€ 588
450 cm	€ 11.604	€ 12.123	€ 12.795	€ 13.509	€ 16.782	€ 17.300	€ 17.819	€ 18.528	€ 19.205	€ 19.719	€ 20.306	€ 21.020	€ 23.956	€ 24.460	€ 25.315	€ 25.818	€ 26.322	€ 26.825	€ 27.524	€ 28.027	€ 31.752	€ 32.266	€ 1.643	€ 449	€ 661
500 cm	€ 12.032	€ 12.561	€ 13.249	€ 13.973	€ 17.430	€ 17.959	€ 18.490	€ 19.214	€ 19.900	€ 20.431	€ 21.028	€ 21.752	€ 24.878	€ 25.392	€ 26.259	€ 26.778	€ 27.292	€ 27.805	€ 28.519	€ 29.038	€ 32.942	€ 33.471	€ 1.756	€ 495	€ 734
550 cm	€ 12.461	€ 13.000	€ 13.703	€ 14.437	€ 18.079	€ 18.618	€ 19.161	€ 19.900	€ 20.595	€ 21.143	€ 21.750	€ 22.484	€ 25.800	€ 26.324	€ 27.203	€ 27.737	€ 28.261	€ 28.785	€ 29.514	€ 30.048	€ 34.132	€ 34.677	€ 1.868	€ 541	€ 808
600 cm	€ 12.889	€ 13.439	€ 14.157	€ 14.902	€ 18.728	€ 19.277	€ 19.832	€ 20.586	€ 21.290	€ 21.855	€ 22.472	€ 23.217	€ 26.722	€ 27.256	€ 28.147	€ 28.697	€ 29.231	€ 29.765	€ 30.509	€ 31.059	€ 35.322	€ 35.882	€ 1.981	€ 586	€ 881
FS3	€ 219	€ 230	€ 251	€ 276	€ 298	€ 321	€ 344	€ 367	€ 390	€ 413	€ 530	€ 553	€ 576	€ 599	€ 623	€ 646	€ 669	€ 692	€ 715	€ 737	€ 760	€ 783			
FS5-A	€ 40	€ 51	€ 60	€ 68	€ 79	€ 88	€ 98	€ 107	€ 118	€ 126	€ 137	€ 146	€ 156	€ 165	€ 176	€ 184	€ 195	€ 204	€ 214	€ 223	€ 234	€ 242			
FS3-E	€ 56	€ 70	€ 82	€ 94	€ 109	€ 121	€ 135	€ 147	€ 162	€ 174	€ 189	€ 201	€ 215	€ 227	€ 242	€ 254	€ 268	€ 280	€ 295	€ 307	€ 322	€ 334			

FS3	Gutter System
FS5-A	Additional Fabric Support Profile (Standard)
FS5-E	Additional Fabric Support Profile (3 Axis)
FS4	Additional Rail - Al.- 120x150mm
FS8	Lighting System
FS9	Side Beam - Al.- 50x150mm
FS9-S	Side Beam - Al.- 100x150mm (Special)

FS8	
FS8-S	SPOT
FS8-L	LINEAR
FS8-E	3 AXIS ⁷
FS8-LR	LINEAR (RGB)
FS8-ER	3 AXIS (RGB) ⁷

LED TYPE & MODULE		
2 LED	3 LED	4 LED
€ 151	€ 183	€ 216
€ 216	€ 280	
€ 248	€ 323	
€ 274	€ 356	
€ 315	€ 409	

Notes:

- Any Side Beam is not included in the price.
- FS Flexy Plain/3D or Stam 6002 is included in the price.
- Motor and Remote control is included in the price.
- Palmye Aluminium Coating Catalogue includes the standard colours with no extra cost. For any other type/brand/colour of paint, price difference and additional delivery duration shall be checked from your customer representative.
- Standard fabric support profile plastic colours are specified in Palmye Aluminium Coating Catalogue.
- In pergolas including steel front pillars, if gutter option is preferred, external water drainage points will be specified according to the Project and will be priced additionally.
- 3 AXIS lights available only at exclusive fabric option.

DEDUCTIONS

Price deduction is applicable only for back pillars and back beam. Deduction amount shall be consider as 70% of related option price.

OPTIONS

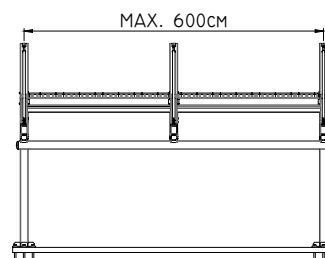
FS10-150ST3	Extra pillar (150x150x3mm St.)	€ 894	pcs
FS10-150ST5	Extra pillar (150x150x5mm St.)	€ 1.250	pcs
FS10-150ST5-H	Extra Half pillar (150x150x5mm St.)	€ 150	pcs
FS11	Deco ceiling cover	€ 66	m ²
FS15	Side beam pillar (50x100mm - Al)	€ 259	pcs
FS15-B	Side beam pillar (100x100mm - Al)	€ 500	pcs
FS19	Fix louver	€ 68	lm
FS24	W96 Ceiling Cover	€ 76	m ²
FS26	Exclusive fabric difference (up to 800cm width)	€ 45	m ²
FS27	3 Axis lighting fabric support profile difference	€ 13	m ²
FS28-1	Stainless steel chain - 100 cm	€ 72	1m
FS28-2	Stainless steel chain - 200 cm	€ 140	2m
FS28-3	Stainless steel chain - 300 cm	€ 204	3m
FS28-4	Stainless steel chain - 400 cm	€ 272	4m
FS29-1	Sun Sensor (SUNIS) (for single motor)	€ 567	pcs
FS29-1S	Sun Sensor (SUNIS) (for synchronized motor)	€ 903	pcs
FS29-2	Wind Sensor (EOLIS RTS) (for single motor)	€ 267	pcs
FS29-2S	Wind Sensor (EOLIS RTS) (for synchronized motor)	€ 600	pcs
FS29-3	Sun and Wind Sensor (SOLIRIS RTS) (for single motor)	€ 302	pcs
FS29-3S	Sun and Wind Sensor (SOLIRIS RTS) (for synchronized motor)	€ 635	pcs
FS29-42	Rain Sensor (ONDEIS) (for single motor)	€ 524	pcs
FS29-4S3	Rain Sensor (ONDEIS) (for synchronized motor)	€ 856	pcs
FS30	CONNEXOON	€ 479	pcs

Notes:

1. Fabric support profiles can be painted in the same color as the general construction. No fee is paid for this process. However, the plastic color should be specified from our standard plastic colours in Palmiye Color Chart.
2. For one product, a dry contact transmitter costing 337€, must be added.
3. Up to 5 products, a RS485 Automation interface dry contact transmitter costing 1027€, must be added.
4. Exclusive fabric option can only be selected together with 3 axis fabric support profile. Price difference for 3 axis fabric profile should be added.

EXTENSIONS

Rail	- 120x150mm	€ 308	lm
Beam	Al. 42x150mm	€ 96	lm
Beam	Al. 50x150mm	€ 169	lm
Beam	Al. 100x150mm	€ 141	lm
Beam	St. 100x150x3mm	€ 292	lm
Beam	St. 100x150x5mm	€ 354	lm
Beam	St. 100x200x3mm	€ 296	lm
Beam	St. 100x200x5mm	€ 421	lm
Fabric protection cover	Al. - 63x__cm	€ 55	m ²
Gutter	Special Profile	€ 41	lm

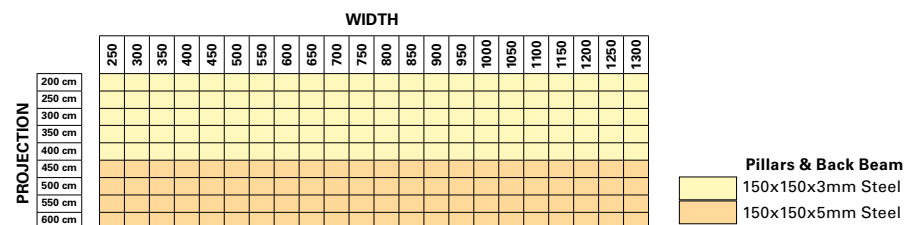


- The front beam can not be produced in steel.
- Ground flanges are 380x380x15 mm.
- When pillar reduction is applied, half pillar must be installed at the back of each rail shaft, and steel back pillars and back beam should be 150x150 mm.
- In condition of adding an additional rail, a steel 150x150 mm back pillar should also be added.

PRICE DIFFERENCE

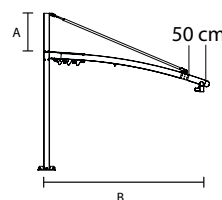
Pillar	PILLAR GROUP		
	Standard	St. 150x150x3mm	
	to	St. 150x150x5mm	€ 488 pcs

STANDARD CONSTRUCTION



* In case of reducing middle pillars, distance between the pillars can be maximum 600 cm.

** Steel with a wall thickness of 5 mm must be used in all cases where the pillar is reduced.



MINIMUM "A" VALUES

B (cm)	250	300	350	400	450	500	550	600
A (cm)	50	50	50	60	70	80	90	100

Upper values will be evaluated on a project basis.

- Max. pillar length: 480 cm

CORAL

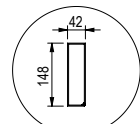
Hanging

Wall / Ceiling with Buttress

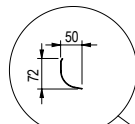


MAXIMUM DIMENSIONS

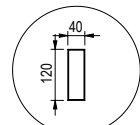
	WIDTH	PROJECTION
2 RAILS	400 cm	400 cm



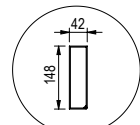
ALM.PRF.G1012
Back Beam



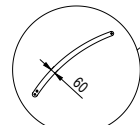
ALM.PRF.G1011
Wall Finish



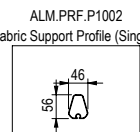
ALM.PRF.G1019
Cross Beam



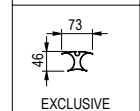
ALM.PRF.G1012
Cross Beam



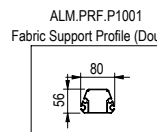
DMR.APR.P1125
Rail Support Steel



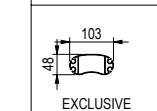
ALM.PRF.P1002
Fabric Support Profile (Single)



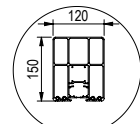
EXCLUSIVE
ALM.PRF.G1101
Fabric Support Profile (Single)



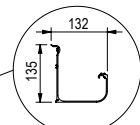
ALM.PRF.P1001
Fabric Support Profile (Double)



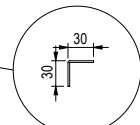
EXCLUSIVE
ALM.PRF.G1102
Fabric Support Profile (Double)



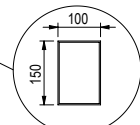
ALM.PRF.P1008
Rail



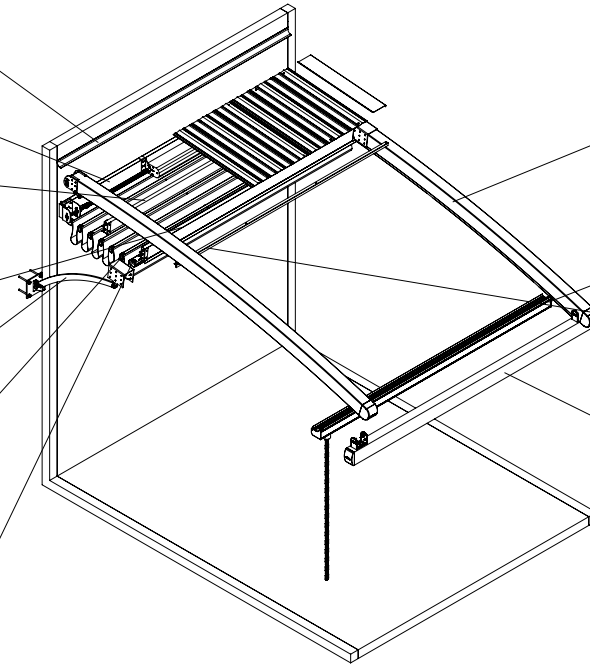
ALM.PRF.P1007
Gutter



ALM.PRF.G1032
Angle

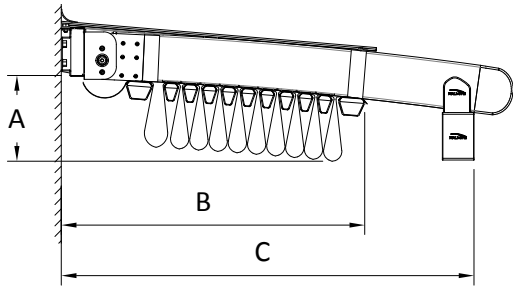


ALM.PRF.G1003
Front Beam



TECHNICAL FEATURES

COLLECTED FABRIC DIMENSIONS

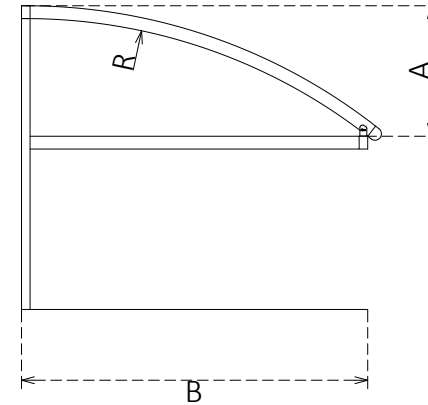


RADIUS CHART

RADIUS	R850	R1500
--------	------	-------

Projection	A		B
250	63		
300	83		
350	107		
400	135	82	

*The values are approx. ± 5 cm



No of Fabric Support Profiles	Projection cm					C
	200	250	300	350	400	
5	30					68
6		31				74
7			32			81
9				34		94
10					35	100

← A → B

*Calculated according to a slope of 15%

WIND RESISTANCE

PROJECTION (cm)	WIDTH (cm)			
	250	300	350	400
200	11	11	11	11
250	11	11	11	11
300	11	11	11	11
350	11	11	10	10
400	10	10	10	9

All sides open

*The values are given according to the Beaufort scale.

**Calculated for Products with a front height of 250 cm according to Eurocode EN 1991-1-4 Terrain Category 4.

*** You can ask for new calculations for special designs.

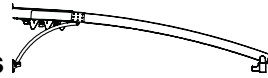
DRAINAGE CALCULATION

Type	Max. m ²
Full	39 m ² /pc

* per drainage

There should be at least one drainage, each 8 m length gutter.

CORAL Hanging Wall / Ceiling with Buttress



Projection	Width			
	2 RAILS			
	250 cm	300 cm	350 cm	400 cm
200 cm	€ 7.636	€ 8.015	€ 8.744	€ 9.128
250 cm	€ 8.046	€ 8.628	€ 9.179	€ 9.573
300 cm	€ 8.679	€ 9.329	€ 9.939	€ 10.389
350 cm	€ 9.297	€ 9.765	€ 10.384	€ 11.047
400 cm	€ 9.722	€ 10.200	€ 10.835	€ 11.508

FS3	€ 219	€ 230	€ 251	€ 276
FS5-A	€ 40	€ 51	€ 60	€ 68
FS5-E	€ 56	€ 70	€ 82	€ 94

FS3	Gutter System
FS5-A	Additional Fabric Support Profile (Standard)
FS5-E	Additional Fabric Support Profile (3 Axis)
FS8	Lighting System

FS8		LED TYPE & MODULE		
		2 LED	3 LED	4 LED
FS8-S	SPOT	€ 151	€ 183	€ 216
FS8-L	LINEAR	€ 216	€ 280	
FS8-E	3 AXIS ⁷	€ 248	€ 323	
FS8-LR	LINEAR (RGB)	€ 274	€ 356	
FS8-ER	3 AXIS (RGB) ⁷	€ 315	€ 409	

Notes:

1. Any Side Beam is not included in the price.
2. Modules can not be combined.
3. FS Flexy Plain/3D or Stam 6002 is included in the price.
4. Motor and Remote control is included in the price.
5. Palmiye Aluminium Coating Catalogue includes the standard colours with no extra cost. For any other type/brand/color of paint, price difference and additional delivery duration shall be checked from your customer representative.
6. Standard fabric support profile plastic colours are specified in Palmiye Aluminium Coating Catalogue.
7. 3 AXIS lights available only at exclusive fabric option.

OPTIONS

FS11	Deco ceiling cover	€ 66	m ²
FS19	Fix louver	€ 68	lm
FS24	W96 Ceiling Cover	€ 76	m ²
FS26	Exclusive fabric difference (up to 800cm width)	€ 45	m ²
FS27	3 Axis lighting fabric support profile difference	€ 13	m ²
FS28-1	Stainless steel chain - 100 cm	€ 72	1m
FS28-2	Stainless steel chain - 200 cm	€ 140	2m
FS28-3	Stainless steel chain - 300 cm	€ 204	3m
FS28-4	Stainless steel chain - 400 cm	€ 272	4m
FS29-1	Sun Sensor (SUNIS) (for single motor)	€ 567	pcs
FS29-2	Wind Sensor (EOLIS RTS) (for single motor)	€ 267	pcs
FS29-3	Sun and Wind Sensor (SOLIRIS RTS) (for single motor)	€ 302	pcs
FS29-42	Rain Sensor (ONDEIS) (for single motor)	€ 524	pcs
FS30	CONNEXOON	€ 479	pcs

Notes:

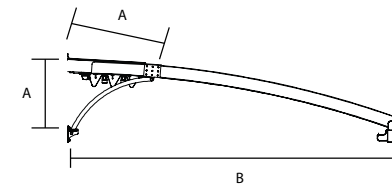
1. Fabric support profiles can be painted in the same color as the general construction. No fee is paid for this process. However, the plastic color should be specified from our standard plastic colours in Palmiye Color Chart.
2. For one product, a dry contact transmitter costing 337€, must be added.
3. Up to 5 products, a RS485 Automation interface dry contact transmitter costing 1027€, must be added.
4. Exclusive fabric option can only be selected together with 3 axis fabric support profile. Price difference for 3 axis fabric profile should be added.

EXTENSIONS

Rail	- 120x150mm	€ 308	lm
Beam	Al. 42x150mm	€ 96	lm
Beam	Al. 50x150mm	€ 169	lm
Beam	Al. 100x150mm	€ 141	lm
Beam	St. 100x150x3mm	€ 292	lm
Beam	St. 100x150x5mm	€ 354	lm
Beam	St. 100x200x3mm	€ 296	lm
Beam	St. 100x200x5mm	€ 421	lm
Fabric protection cover	Al. - 63x___cm	€ 55	m ²
Gutter	Special Profile	€ 41	lm

PRICE DIFFERENCE

		BEAM GROUP	
Standard	Al. 42x150mm		
Back Beam to	Al. 50x150mm	€ 74	lm
	St. 50x150x3mm	€ 95	lm
	St. 50x150x5mm	€ 176	lm
	Al. 100x150mm	€ 44	lm
	St. 100x150x3mm	€ 192	lm
	St. 100x150x5mm	€ 260	lm
	St. 100x200x3mm	€ 196	lm
	St. 100x200x5mm	€ 328	lm



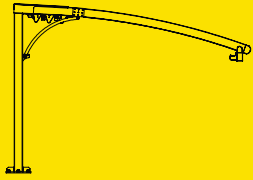
STANDARD "A" VALUES

B (cm)	250	300	350	400
A (cm)	70	80	90	100

CORAL

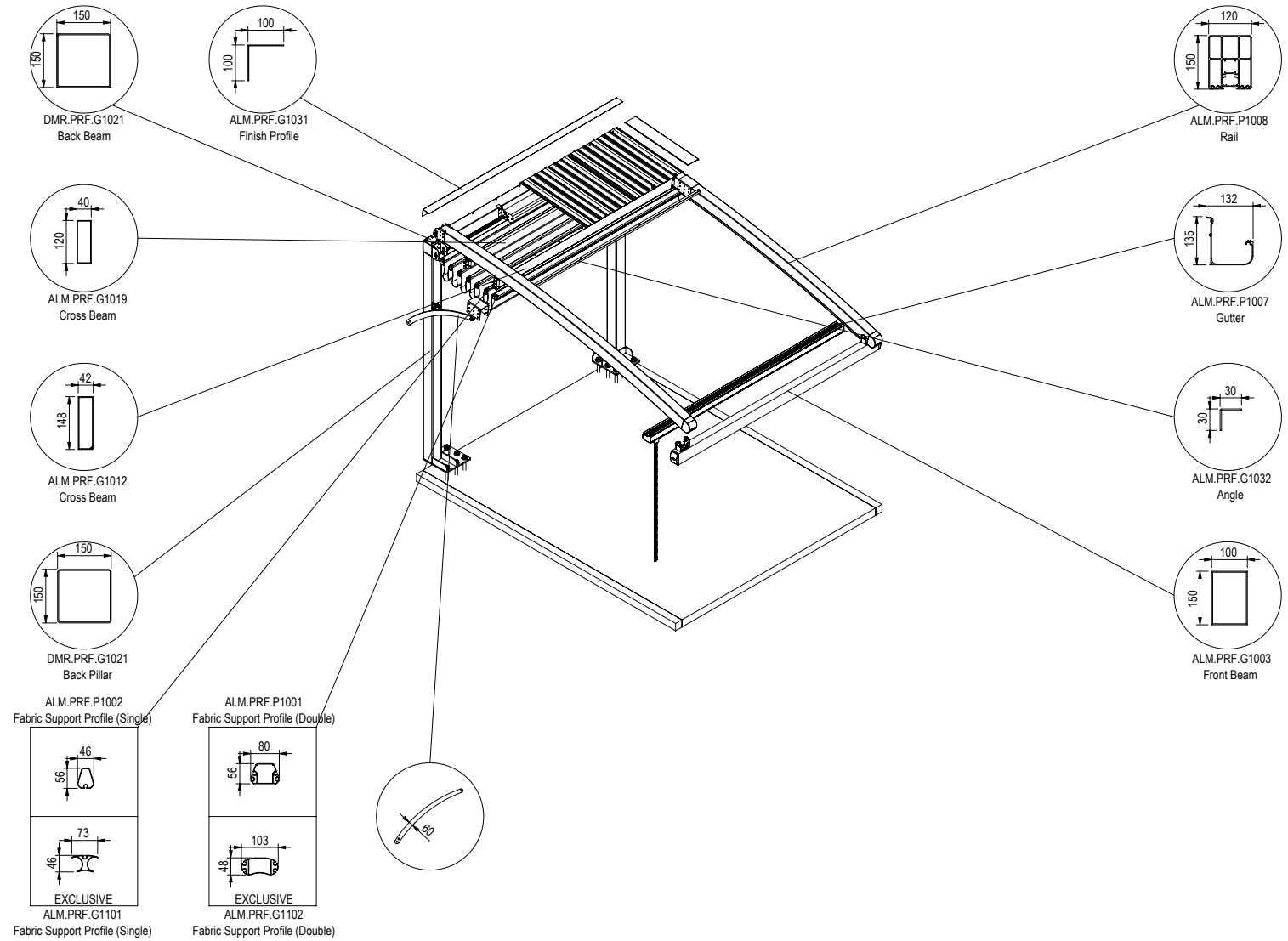
Hanging

Freestanding with Buttrass



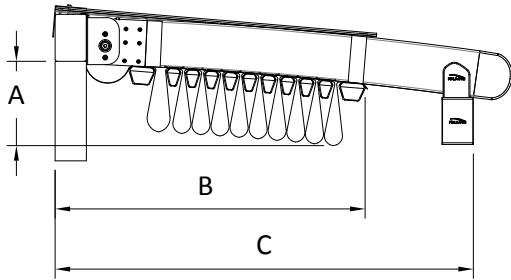
MAXIMUM DIMENSIONS

	WIDTH	PROJECTION
2 RAILS	400 cm	400 cm



TECHNICAL FEATURES

COLLECTED FABRIC DIMENSIONS



No of Fabric Support Profiles	Projection cm					C
	200	250	300	350	400	
5	31					73
6		32				79
7			33			86
9				35		99
10					36	105

← A → B

*Calculated according to a slope of 15%

DRAINAGE CALCULATION

Type	Max. m ²
Full	39 m ² /pc

* per drainage

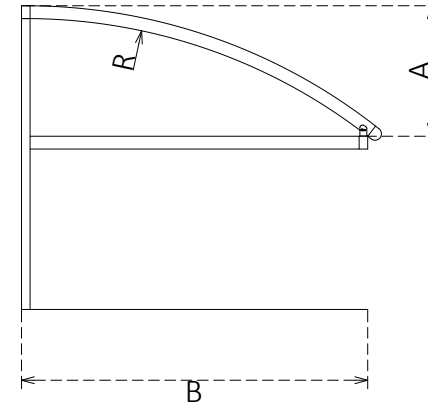
There should be at least one drainage, each 8 m length gutter.

RADIUS CHART

RADIUS	850	1500
--------	-----	------

B	A		B
250	63		
300	83		
350	107		
400	135	82	

*The values are approx. ± 5 cm



WIND RESISTANCE

PROJECTION (cm)	WIDTH (cm)			
	250	300	350	400
200	11	11	11	11
250	11	11	11	11
300	11	11	11	11
350	11	11	10	10
400	10	10	10	9

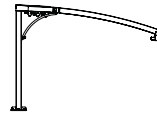
All sides open

*The values are given according to the Beaufort scale.

**Calculated for Products with a front height of 250 cm according to Eurocode EN 1991-1-4 Terrain Category 4.

*** You can ask for new calculations for special designs.

CORAL Hanging Freestanding with Buttress



Projection	Width			
	2 RAILS			
	250 cm	300 cm	350 cm	400 cm
200 cm	€ 8.955	€ 9.334	€ 10.063	€ 10.447
250 cm	€ 9.365	€ 9.947	€ 10.498	€ 10.892
300 cm	€ 9.998	€ 10.648	€ 11.258	€ 11.708
350 cm	€ 10.616	€ 11.084	€ 11.703	€ 12.366
400 cm	€ 11.041	€ 11.519	€ 12.154	€ 12.827
FS3	€ 219	€ 230	€ 251	€ 276
FS5	€ 40	€ 51	€ 60	€ 68
FS5-B	€ 56	€ 70	€ 82	€ 94

FS3	Gutter System
FS5-A	Additional Fabric Support Profile (Standard)
FS5-E	Additional Fabric Support Profile (3 Axis)
FS8	Lighting System

FS8	
FS8-S	SPOT
FS8-L	LINEAR
FS8-E	3 AXIS ⁸
FS8-LR	LINEAR (RGB)
FS8-ER	3 AXIS (RGB) ⁸

LED TYPE & MODULE			
	2 LED	3 LED	4 LED
	€ 151	€ 183	€ 216
	€ 216	€ 280	
	€ 248	€ 323	
	€ 274	€ 356	
	€ 315	€ 409	

Notes:

1. Any Side Beam is not included in the price.
2. Modules can not be combined.
3. FS Flexy Plain/3D or Stam 6002 is included in the price.
4. Motor and Remote control is included in the price.
5. Palmiye Aluminium Coating Catalogue includes the standard colours with no extra cost. For any other type/brand/color of paint, price difference and additional delivery duration shall be checked from your customer representative.
6. Standard fabric support profile plastic colours are specified in Palmiye Aluminium Coating Catalogue.
7. In pergolas including steel front pillars, if gutter option is preferred, external water drainage points will be specified according to the Project and will be priced additionally.
8. 3 AXIS lights available only at exclusive fabric option.

DEDUCTIONS

Price deduction is applicable only for back pillars and back beam. Deduction amount shall be consider as 70% of related option price.

OPTIONS

FS11	Deco ceiling cover	€ 66	m ²
FS19	Fix louver	€ 68	1m
FS24	W96 Ceiling Cover	€ 76	m ²
FS26	Exclusive fabric difference (up to 800cm width)	€ 45	m ²
FS27	3 Axis lighting fabric support profile difference	€ 13	m ²
FS28-1	Stainless steel chain - 100 cm	€ 72	1m
FS28-2	Stainless steel chain - 200 cm	€ 140	2m
FS28-3	Stainless steel chain - 300 cm	€ 204	3m
FS28-4	Stainless steel chain - 400 cm	€ 272	4m
FS29-1	Sun Sensor (SUNIS) (for single motor)	€ 567	pcs
FS29-2	Wind Sensor (EOLIS RTS) (for single motor)	€ 267	pcs
FS29-3	Sun and Wind Sensor (SOLIRIS RTS) (for single motor)	€ 302	pcs
FS29-42	Rain Sensor (ONDEIS) (for single motor)	€ 524	pcs
FS30	CONNEXOON	€ 479	pcs

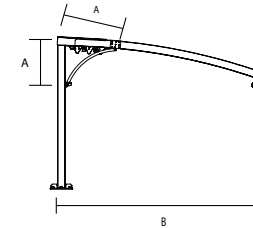
Notes:

1. Fabric support profiles can be painted in the same color as the general construction. No fee is paid for this process. However, the plastic color should be specified from our standard plastic colours in Palmiye Color Chart.
2. For one product, a dry contact transmitter costing 337€, must be added.
3. Up to 5 products, a RS485 Automation interface dry contact transmitter costing 1027€, must be added.
4. Exclusive fabric option can only be selected together with 3 axis fabric support profile. Price difference for 3 axis fabric profile should be added.

EXTENSIONS

Rail	- 120x150mm	€ 308	1m
Beam	Al. 42x150mm	€ 96	1m
Beam	Al. 50x150mm	€ 169	1m
Beam	Al. 100x150mm	€ 141	1m
Beam	St. 100x150x3mm	€ 292	1m
Beam	St. 100x150x5mm	€ 354	1m
Beam	St. 100x200x3mm	€ 296	1m
Beam	St. 100x200x5mm	€ 421	1m
Fabric protection cover	Al. - 63x__cm	€ 55	m ²
Gutter	Special Profile	€ 41	1m

- This model includes 3m steel back beam and pillars.
- The front beam can not be produced in steel.
- Ground flanges are 380x380x15 mm.



STANDARD "A" VALUES

B (cm)	250	300	350	400
A (cm)	70	80	90	100

- Max. pillar length: 480 cm

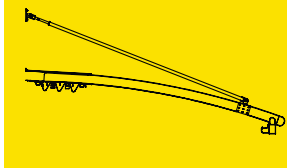
PRICE DIFFERENCE

BEAM GROUP			
Pillar	Standart:	St. 150x150x3mm	
	to	St. 150x150x5mm	€ 488 pcs

CORAL

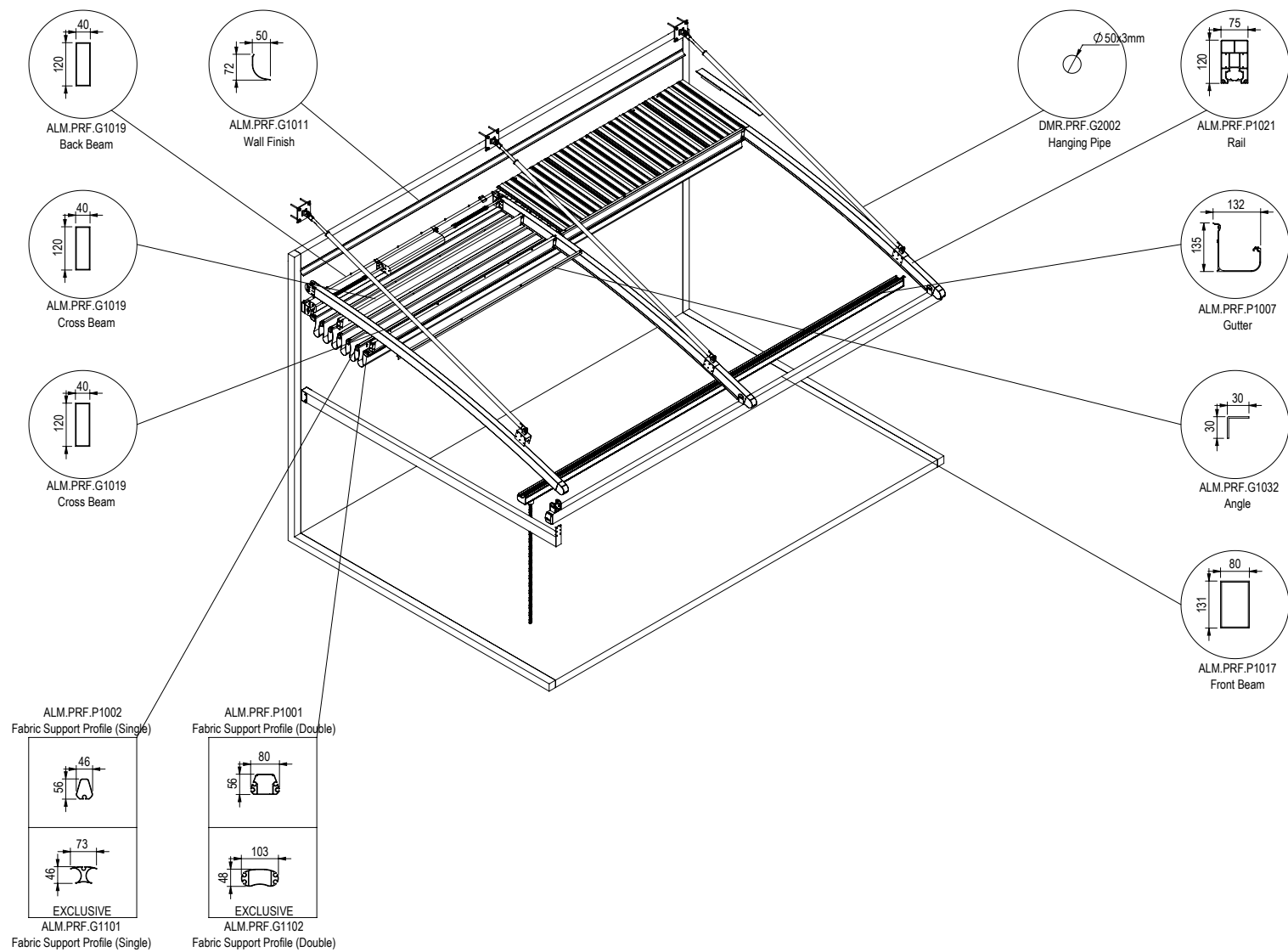
Compact Hanging

Wall / Ceiling



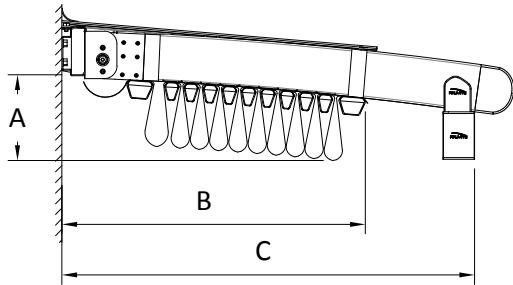
MAXIMUM DIMENSIONS

	WIDTH	PROJECTION
2 RAILS	400 cm	600 cm
3 RAILS	800 cm	600 cm
4 RAILS	1200 cm	600 cm
5 RAILS	1300 cm	600 cm



TECHNICAL FEATURES

COLLECTED FABRIC DIMENSIONS

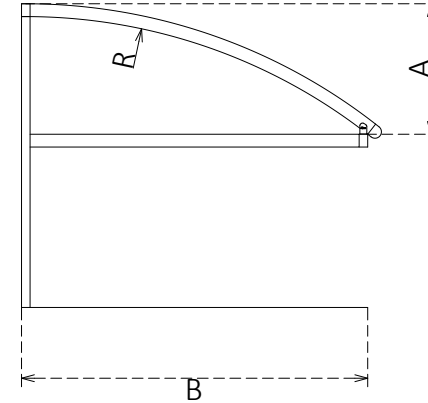


RADIUS CHART

RADIUS	850	1500	2850
--------	-----	------	------

Projection	A			B
300	83			
350	107			
400	135	82		
450		98		
500		116		
550		137		
600		160	93	

*The values are approx. ± 5 cm



TILTED VERSION

Projection cm

	200	250	300	350	400	450	500	550	600	C
5	30									68
6	31									74
7	32									81
9	34									94
10	35									100
11	36									107
13	38									120
14	39									126
15	40									133

*Calculated according to a slope of 15%

WIND RESISTANCE

PROJECTION (cm)	WIDTH (cm)																	
	450	500	550	600	650	700	750	800	850	900	950	1000	1050	1100	1150	1200	1250	1300
400	10	10	10	9	9	9	8	8	8	7	9	9	9	8	8	8	8	7
450	10	9	8	8	8	8	7	7	7	7	8	8	8	7	7	7	7	7
500	9	8	7	7	7	7	6	6	6	6	7	7	7	6	6	6	6	6
550	8	7	7	7	7	6	6	6	6	6	7	6	6	6	6	6	6	6
600	7	6	6	6	6	5	5	5	5	5	6	5	5	5	5	5	5	5

*The values are given according to the Beaufort scale.

**Calculated for Products with a front height of 250 cm according to Eurocode EN 1991-1-4 Terrain Category 4.

*** You can ask for new calculations for special designs.

All sides open

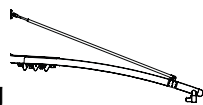
DRAINAGE CALCULATION

Type	Max. m ²
Compact	30 m ² /pc

* per drainage

There should be at least one drainage, each 8 m length gutter.

CORAL Compact Hanging Wall / Ceiling



Projection	Width																								FS4	FS9-C
	2 RAILS				3 RAILS								4 RAILS								5 RAILS					
	250 cm	300 cm	350 cm	400 cm	450 cm	500 cm	550 cm	600 cm	650 cm	700 cm	750 cm	800 cm	850 cm	900 cm	950 cm	1000 cm	1050 cm	1100 cm	1150 cm	1200 cm	1250 cm	1300 cm				
200 cm	€ 6.187	€ 6.492	€ 7.081	€ 7.388	€ 8.725	€ 9.027	€ 9.336	€ 9.638	€ 10.226	€ 10.531	€ 10.890	€ 11.190	€ 12.255	€ 12.549	€ 13.121	€ 13.413	€ 13.701	€ 13.993	€ 14.280	€ 14.572	€ 16.264	€ 16.719	€ 892	€ 183		
250 cm	€ 6.513	€ 6.982	€ 7.426	€ 7.742	€ 9.217	€ 9.527	€ 10.005	€ 10.314	€ 10.757	€ 11.067	€ 11.436	€ 11.909	€ 13.106	€ 13.411	€ 13.836	€ 14.135	€ 14.598	€ 14.896	€ 15.195	€ 15.495	€ 17.324	€ 17.786	€ 985	€ 219		
300 cm	€ 7.018	€ 7.542	€ 8.032	€ 8.394	€ 10.050	€ 10.412	€ 10.934	€ 11.296	€ 11.783	€ 12.143	€ 12.558	€ 13.080	€ 14.459	€ 14.806	€ 15.282	€ 15.629	€ 16.134	€ 16.480	€ 16.830	€ 17.179	€ 19.183	€ 19.697	€ 1.078	€ 258		
350 cm	€ 7.511	€ 7.885	€ 8.384	€ 8.916	€ 10.714	€ 11.083	€ 11.455	€ 11.986	€ 12.486	€ 12.855	€ 13.281	€ 13.811	€ 15.332	€ 15.690	€ 16.327	€ 16.689	€ 17.047	€ 17.404	€ 17.918	€ 18.275	€ 20.420	€ 20.788	€ 1.171	€ 295		
400 cm	€ 7.846	€ 8.230	€ 8.739	€ 9.278	€ 11.219	€ 11.600	€ 11.986	€ 12.522	€ 13.030	€ 13.411	€ 13.846	€ 14.382	€ 16.050	€ 16.417	€ 17.066	€ 17.435	€ 17.805	€ 18.171	€ 18.696	€ 19.062	€ 21.351	€ 21.728	€ 1.262	€ 334		
450 cm	€ 8.189	€ 8.585	€ 9.102	€ 9.654	€ 11.735	€ 12.129	€ 12.522	€ 13.068	€ 13.589	€ 13.976	€ 14.423	€ 14.971	€ 16.776	€ 17.155	€ 17.815	€ 18.193	€ 18.572	€ 18.949	€ 19.482	€ 19.859	€ 22.288	€ 22.672	€ 1.355	€ 370		
500 cm	€ 8.527	€ 8.930	€ 9.459	€ 10.019	€ 12.245	€ 12.646	€ 13.049	€ 13.606	€ 14.133	€ 14.534	€ 14.988	€ 15.545	€ 17.498	€ 17.885	€ 18.555	€ 18.944	€ 19.330	€ 19.714	€ 20.260	€ 20.648	€ 23.218	€ 23.615	€ 1.449	€ 409		
550 cm	€ 8.865	€ 9.275	€ 9.816	€ 10.384	€ 12.756	€ 13.164	€ 13.577	€ 14.143	€ 14.678	€ 15.093	€ 15.554	€ 16.119	€ 18.220	€ 18.616	€ 19.294	€ 19.695	€ 20.088	€ 20.479	€ 21.038	€ 21.436	€ 24.149	€ 24.557	€ 1.542	€ 446		
600 cm	€ 9.203	€ 9.620	€ 10.173	€ 10.750	€ 13.266	€ 13.681	€ 14.104	€ 14.681	€ 15.222	€ 15.651	€ 16.119	€ 16.692	€ 18.942	€ 19.347	€ 20.033	€ 20.446	€ 20.846	€ 21.243	€ 21.817	€ 22.225	€ 25.079	€ 25.499	€ 1.635	€ 485		
FS3	€ 219	€ 230	€ 251	€ 276	€ 298	€ 321	€ 344	€ 367	€ 390	€ 413	€ 530	€ 553	€ 576	€ 599	€ 623	€ 646	€ 669	€ 692	€ 715	€ 737	€ 760	€ 783				
FS5-A	€ 40	€ 51	€ 60	€ 68	€ 79	€ 88	€ 98	€ 107	€ 118	€ 126	€ 137	€ 146	€ 156	€ 165	€ 176	€ 184	€ 195	€ 204	€ 214	€ 223	€ 234	€ 242				
FS5-E	€ 56	€ 70	€ 82	€ 94	€ 109	€ 121	€ 135	€ 147	€ 162	€ 174	€ 189	€ 201	€ 215	€ 227	€ 242	€ 254	€ 268	€ 280	€ 295	€ 307	€ 322	€ 334				

FS3	Gutter System
FS5-A	Additional Fabric Support Profile (Standard)
FS5-E	Additional Fabric Support Profile (3 Axis)
FS4	Additional Rail for Compact Series- Al.- 75x120mm
FS8	Lighting System
FS9-C	Side Beam for Compact Series- Al.- 80x130mm

LED TYPE & MODULE		
	2 LED	3 LED
FS8		
FS8-S	SPOT	€ 151
FS8-L	LINEAR	€ 216
FS8-E	3 AXIS ⁶	€ 248
FS8-LR	LINEAR (RGB)	€ 274
FS8-ER	3 AXIS (RGB) ⁶	€ 315

- Notes:**
1. Any Side Beam is not included in the price.
 2. FS Flexy Plain/3D or Stam 6002 is included in the price.
 3. Motor and Remote control is included in the price.
 4. Palmiye Aluminium Coating Catalogue includes the standard colours with no extra cost. For any other type/brand/coulor of paint, price difference and additional delivery duration shall be checked from your customer representative.
 5. Standard fabric support profile plastic colours are specified in Palmiye Aluminium Coating Catalogue.
 6. 3 AXIS lights available only at exclusive fabric option.

OPTIONS

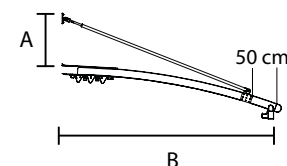
FS11	Deco ceiling cover	€ 66	m ²
FS15-C	Side beam pillar (80x80mm - Al)	€ 368	pcs
FS19	Fix louver	€ 68	lm
FS24	W96 Ceiling Cover	€ 76	m ²
FS26	Exclusive fabric difference (up to 800cm width)	€ 45	m ²
FS27	3 Axis lighting fabric support profile difference	€ 13	m ²
FS28-1	Stainless steel chain - 100 cm	€ 72	1m
FS28-2	Stainless steel chain - 200 cm	€ 140	2m
FS28-3	Stainless steel chain - 300 cm	€ 204	3m
FS28-4	Stainless steel chain - 400 cm	€ 272	4m
FS29-1	Sun Sensor (SUNIS) (for single motor)	€ 567	pcs
FS29-1S	Sun Sensor (SUNIS) (for synchronized motor)	€ 903	pcs
FS29-2	Wind Sensor (EOLIS RTS) (for single motor)	€ 267	pcs
FS29-2S	Wind Sensor (EOLIS RTS) (for synchronized motor)	€ 600	pcs
FS29-3	Sun and Wind Sensor (SOLIRIS RTS) (for single motor)	€ 302	pcs
FS29-3S	Sun and Wind Sensor (SOLIRIS RTS) (for synchronized motor)	€ 635	pcs
FS29-4 ^{2/3}	Rain Sensor (ONDEIS) (for single motor)	€ 524	pcs
FS29-4S ^{2/3}	Rain Sensor (ONDEIS) (for synchronized motor)	€ 856	pcs
FS30	CONNEXOON	€ 479	pcs

EXTENSIONS

Rail	Compact - 75x120mm	€ 188	lm
Beam	Al. 40x120mm	€ 61	lm
Beam	Al. 42x150mm	€ 96	lm
Beam	Al. 50x150mm	€ 169	lm
Beam	Al. 80x130mm	€ 90	lm
Beam	Al. 100x150mm	€ 141	lm
Beam	St. 100x150x3mm	€ 292	lm
Beam	St. 100x150x5mm	€ 354	lm
Beam	St. 100x200x3mm	€ 296	lm
Beam	St. 100x200x5mm	€ 421	lm
Fabric protection cover	Al. - 63x___cm	€ 55	m ²
Gutter	Special Profile	€ 41	lm

PRICE DIFFERENCE

		BEAM GROUP	
		Standard	Al. 40x120mm
Back Beam	to	Al. 42x150mm	€ 36 lm
		Al. 50x150mm	€ 111 lm
		Al. 80x130mm	€ 29 lm
		St. 50x150x3mm	€ 142 lm
		St. 50x150x5mm	€ 223 lm
		Al. 100x150mm	€ 81 lm
		St. 100x150x3mm	€ 239 lm
		St. 100x150x5mm	€ 307 lm
		St. 100x200x3mm	€ 243 lm
		St. 100x200x5mm	€ 374 lm



MINIMUM "A" VALUES

B (cm)	250	300	350	400	450	500	550	600
A (cm)	50	50	50	60	70	80	90	100

Upper values will be evaluated on a project basis.

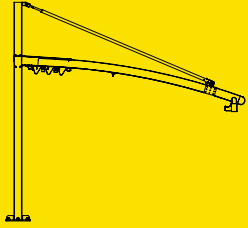
Notes:

1. Fabric support profiles can be painted in the same color as the general construction. No fee is paid for this process. However, the plastic color should be specified from our standard plastic colours in Palmiye Color Chart.
2. For one product, a dry contact transmitter costing 337€, must be added.
3. Up to 5 products, a RS485 Automation interface dry contact transmitter costing 1027€, must be added.
4. Exclusive fabric option can only be selected together with 3 axis fabric support profile. Price difference for 3 axis fabric profile should be added.

CORAL

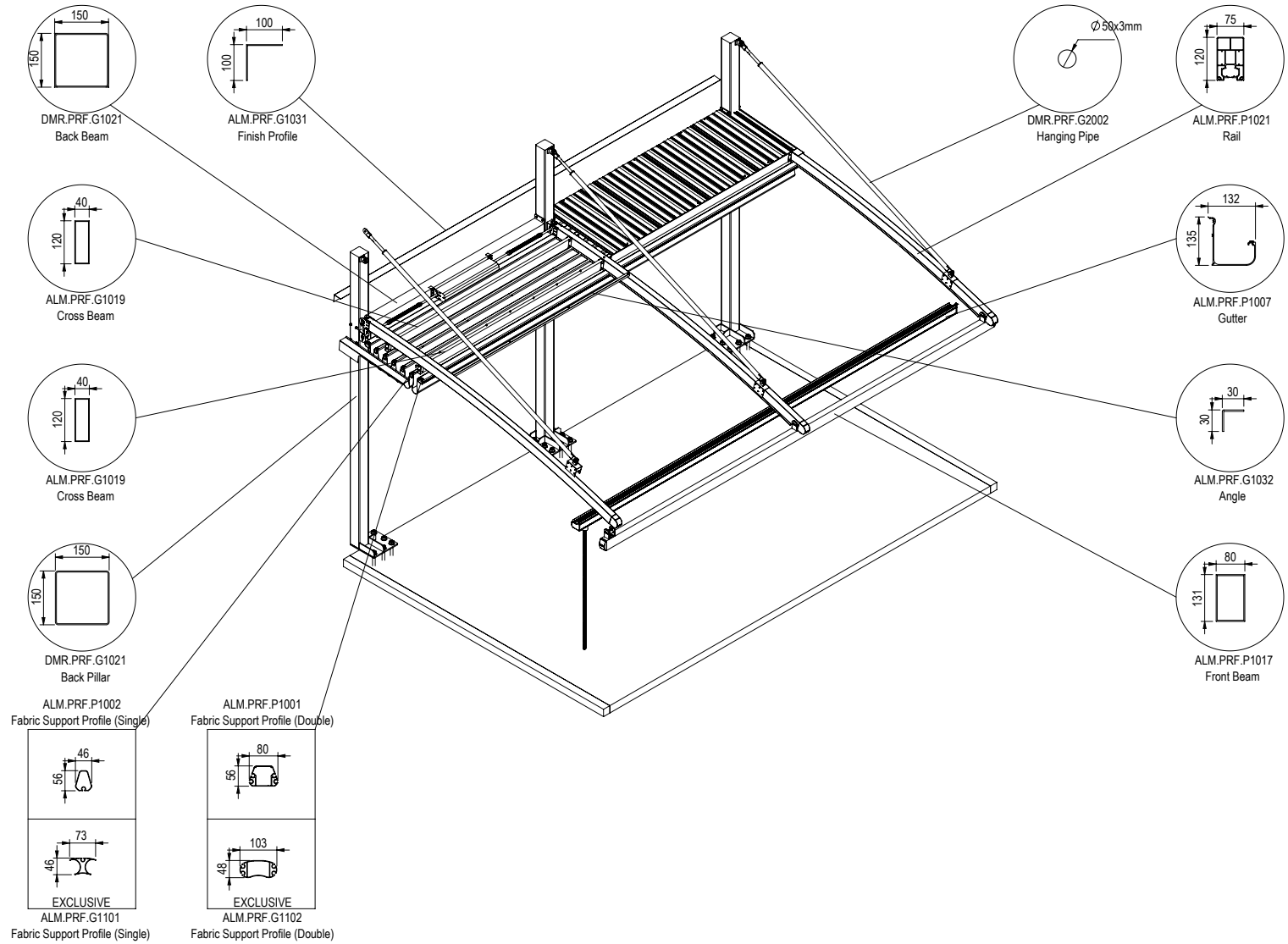
Compact Hanging

Freestanding



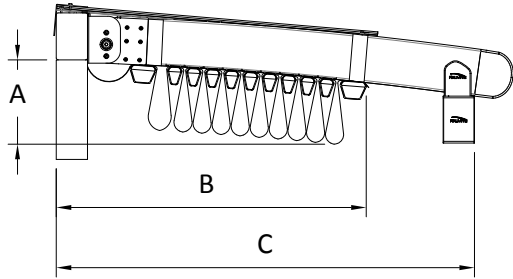
MAXIMUM DIMENSIONS

	WIDTH	PROJECTION
2 RAILS	400 cm	600 cm
3 RAILS	800 cm	600 cm
4 RAILS	1200 cm	600 cm
5 RAILS	1300 cm	600 cm



TECHNICAL FEATURES

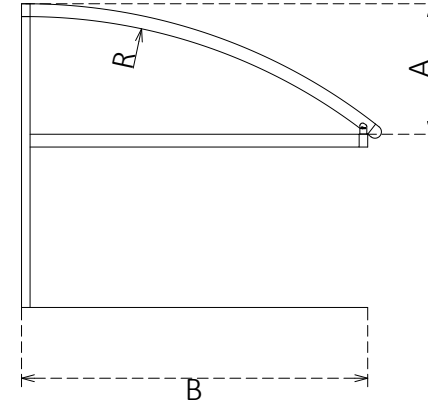
COLLECTED FABRIC DIMENSIONS



RADIUS CHART

RADIUS	850	1500	2850
B	A		
250	63		
300	83		
350	107		
400	135	82	
450	168	98	
500		116	
550		137	
600		160	93

*The values are approx. ± 5 cm



TILTED VERSION Projection cm

No of Fabric Support Profiles	200	250	300	350	400	450	500	550	600	C
5	31									73
6		32								79
7			33							86
9				35						99
10					36					105
11						37				112
13							39			125
14								40		131
15									41	138

*Calculated according to a slope of 15%

WIND RESISTANCE

PROJECTION (cm)	WIDTH (cm)																	
	450	500	550	600	650	700	750	800	850	900	950	1000	1050	1100	1150	1200	1250	1300
400	10	10	10	9	9	9	9	8	8	8	9	9	9	9	8	8	8	8
450	9	9	9	8	8	8	8	7	7	7	8	8	8	8	7	7	7	7
500	8	8	8	8	8	7	7	7	7	6	8	7	7	7	7	7	7	6
550	8	8	7	7	7	7	6	6	6	6	7	7	7	6	6	6	6	6
600	7	7	7	6	6	6	6	6	5	5	6	6	6	6	6	6	5	5

All sides open

*The values are given according to the Beaufort scale.

**Calculated for Products with a front height of 250 cm according to Eurocode EN 1991-1-4 Terrain Category 4.

*** You can ask for new calculations for special designs.

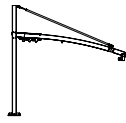
DRAINAGE CALCULATION

Type	Max. m ²
Compact	30 m ² /pc

* per drainage

There should be at least one drainage, each 8 m length gutter.

CORAL Compact Hanging Freestanding



Projection	Width				3 RAILS								4 RAILS								5 RAILS		FS4	FS9-C
	250 cm	300 cm	350 cm	400 cm	450 cm	500 cm	550 cm	600 cm	650 cm	700 cm	750 cm	800 cm	850 cm	900 cm	950 cm	1000 cm	1050 cm	1100 cm	1150 cm	1200 cm	1250 cm	1300 cm		
200 cm	€ 7.506	€ 7.811	€ 8.400	€ 8.707	€ 10.704	€ 11.006	€ 11.315	€ 11.617	€ 12.204	€ 12.510	€ 12.868	€ 13.169	€ 14.893	€ 15.187	€ 15.759	€ 16.051	€ 16.339	€ 16.631	€ 16.918	€ 17.210	€ 19.561	€ 20.017	€ 892	€ 183
250 cm	€ 7.832	€ 8.301	€ 8.745	€ 9.061	€ 11.195	€ 11.506	€ 11.984	€ 12.293	€ 12.735	€ 13.046	€ 13.414	€ 13.887	€ 15.743	€ 16.049	€ 16.474	€ 16.773	€ 17.236	€ 17.534	€ 17.833	€ 18.133	€ 20.621	€ 21.084	€ 985	€ 219
300 cm	€ 8.337	€ 8.861	€ 9.351	€ 9.713	€ 12.028	€ 12.390	€ 12.913	€ 13.274	€ 13.761	€ 14.121	€ 14.536	€ 15.058	€ 17.097	€ 17.444	€ 17.920	€ 18.267	€ 18.772	€ 19.118	€ 19.468	€ 19.817	€ 22.480	€ 22.994	€ 1.078	€ 258
350 cm	€ 8.830	€ 9.204	€ 9.703	€ 10.235	€ 12.692	€ 13.061	€ 13.433	€ 13.964	€ 14.464	€ 14.833	€ 15.260	€ 15.789	€ 17.970	€ 18.328	€ 18.965	€ 19.327	€ 19.685	€ 20.042	€ 20.556	€ 20.913	€ 23.718	€ 24.085	€ 1.171	€ 295
400 cm	€ 9.165	€ 9.549	€ 10.058	€ 10.597	€ 13.198	€ 13.578	€ 13.964	€ 14.500	€ 15.009	€ 15.390	€ 15.825	€ 16.361	€ 18.688	€ 19.055	€ 19.704	€ 20.073	€ 20.443	€ 20.808	€ 21.334	€ 21.700	€ 24.648	€ 25.026	€ 1.262	€ 334
450 cm	€ 9.636	€ 10.057	€ 10.600	€ 11.177	€ 13.943	€ 14.363	€ 14.781	€ 15.352	€ 15.899	€ 16.312	€ 16.784	€ 17.358	€ 19.847	€ 20.252	€ 20.938	€ 21.341	€ 21.745	€ 22.148	€ 22.706	€ 23.109	€ 26.223	€ 26.633	€ 1.355	€ 370
500 cm	€ 9.974	€ 10.402	€ 10.957	€ 11.542	€ 14.453	€ 14.880	€ 15.308	€ 15.890	€ 16.443	€ 16.870	€ 17.349	€ 17.931	€ 20.569	€ 20.982	€ 21.677	€ 22.092	€ 22.503	€ 22.913	€ 23.484	€ 23.897	€ 27.153	€ 27.575	€ 1.449	€ 409
550 cm	€ 10.312	€ 10.747	€ 11.313	€ 11.907	€ 14.964	€ 15.397	€ 15.836	€ 16.428	€ 16.988	€ 17.428	€ 17.914	€ 18.505	€ 21.291	€ 21.713	€ 22.416	€ 22.843	€ 23.261	€ 23.677	€ 24.263	€ 24.686	€ 28.084	€ 28.517	€ 1.542	€ 446
600 cm	€ 10.650	€ 11.092	€ 11.670	€ 12.273	€ 15.474	€ 15.914	€ 16.363	€ 16.966	€ 17.532	€ 17.986	€ 18.480	€ 19.079	€ 22.014	€ 22.444	€ 23.155	€ 23.594	€ 24.019	€ 24.442	€ 25.041	€ 25.475	€ 29.014	€ 29.460	€ 1.635	€ 485
FS3	€ 219	€ 230	€ 251	€ 276	€ 298	€ 321	€ 344	€ 367	€ 390	€ 413	€ 530	€ 553	€ 576	€ 599	€ 623	€ 646	€ 669	€ 692	€ 715	€ 737	€ 760	€ 783		
FS5-A	€ 40	€ 51	€ 60	€ 68	€ 79	€ 88	€ 98	€ 107	€ 118	€ 126	€ 137	€ 146	€ 156	€ 165	€ 176	€ 184	€ 195	€ 204	€ 214	€ 223	€ 234	€ 242		
FS5-E	€ 56	€ 70	€ 82	€ 94	€ 109	€ 121	€ 135	€ 147	€ 162	€ 174	€ 189	€ 201	€ 215	€ 227	€ 242	€ 254	€ 268	€ 280	€ 295	€ 307	€ 322	€ 334		

FS3	Gutter System
FS5-A	Additional Fabric Support Profile (Standard)
FS5-E	Additional Fabric Support Profile (3 Axis)
FS4	Additional Rail for Compact Series- Al.- 75x120mm
FS8	Lighting System
FS9-C	Side Beam for Compact Series- Al.- 80x130mm

FS8	
FS8-S	SPOT
FS8-L	LINEAR
FS8-E	3 AXIS ⁷
FS8-LR	LINEAR (RGB)
FS8-ER	3 AXIS (RGB) ⁷

LED TYPE & MODULE		
2 LED	3 LED	4 LED
€ 151	€ 183	€ 216
€ 216	€ 280	
€ 248	€ 323	
€ 274	€ 356	
€ 315	€ 409	

Notes:

- Any Side Beam is not included in the price.
- FS Flexy Plain/3D or Stam 6002 is included in the price.
- Motor and Remote control is included in the price.
- Palmiye Aluminium Coating Catalogue includes the standard colours with no extra cost. For any other type/brand/color of paint, price difference and additional delivery duration **shall be checked from your customer representative**.
- Standard fabric support profile plastic colours are specified in Palmiye Aluminium Coating Catalogue.
- In pergolas including steel front pillars, if gutter option is preferred, external water drainage points will be specified according to the Project and will be priced additionally.
- 3 AXIS lights available only at exclusive fabric option.

DEDUCTIONS

Price deduction is applicable only for back pillars and back beam. Deduction amount shall be consider as 70% of related option price.

OPTIONS

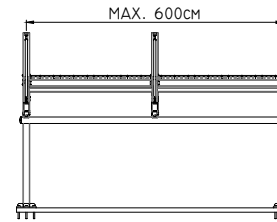
FS10-150ST3	Extra pillar (150x150x3mm St.)	€ 894	pcs
FS10-150ST5	Extra pillar (150x150x5mm St.)	€ 1.250	pcs
FS10-150ST5-H	Extra Half pillar (150x150x5mm St.)	€ 150	pcs
FS11	Deco ceiling cover	€ 66	m²
FS15-C	Side beam pillar (80x80mm - Al)	€ 368	pcs
FS19	Fix louver	€ 68	lm
FS24	W96 Ceiling Cover	€ 76	m²
FS26	Exclusive fabric difference (up to 800cm width)	€ 45	m²
FS27	3 Axis lighting fabric support profile difference	€ 13	m²
FS28-1	Stainless steel chain - 100 cm	€ 72	1m
FS28-2	Stainless steel chain - 200 cm	€ 140	2m
FS28-3	Stainless steel chain - 300 cm	€ 204	3m
FS28-4	Stainless steel chain - 400 cm	€ 272	4m
FS29-1	Sun Sensor (SUNIS) (for single motor)	€ 567	pcs
FS29-1S	Sun Sensor (SUNIS) (for synchronized motor)	€ 903	pcs
FS29-2	Wind Sensor (EOLIS RTS) (for single motor)	€ 267	pcs
FS29-2S	Wind Sensor (EOLIS RTS) (for synchronized motor)	€ 600	pcs
FS29-3	Sun and Wind Sensor (SOLIRIS RTS) (for single motor)	€ 302	pcs
FS29-3S	Sun and Wind Sensor (SOLIRIS RTS) (for synchronized motor)	€ 635	pcs
FS29-42	Rain Sensor (ONDEIS) (for single motor)	€ 524	pcs
FS29-4S3	Rain Sensor (ONDEIS) (for synchronized motor)	€ 856	pcs
FS30	CONNEXOON	€ 479	pcs

Notes:

1. Fabric support profiles can be painted in the same color as the general construction. No fee is paid for this process. However, the plastic color should be specified from our standard plastic colours in Palmiye Color Chart.
2. For one product, a dry contact transmitter costing 337€, must be added.
3. Up to 5 products, a RS485 Automation interface dry contact transmitter costing 1027€, must be added.
4. Exclusive fabric option can only be selected together with 3 axis fabric support profile. Price difference for 3 axis fabric profile should be added.

EXTENSIONS

Rail	Compact - 75x120mm	€ 188	lm
Beam	Al. 40x120mm	€ 61	lm
Beam	Al. 42x150mm	€ 96	lm
Beam	Al. 50x150mm	€ 169	lm
Beam	Al. 80x130mm	€ 90	lm
Beam	Al. 100x150mm	€ 141	lm
Beam	St. 100x150x3mm	€ 292	lm
Beam	St. 100x150x5mm	€ 354	lm
Beam	St. 100x200x3mm	€ 296	lm
Beam	St. 100x200x5mm	€ 421	lm
Fabric protection cover	Al. - 63x___cm	€ 55	m²
Gutter	Special Profile	€ 41	lm



- The front beam can not be produced in steel.
- Ground flanges are 380x380x15 mm.
- When pillar reduction is applied, half pillar must be installed at the back of each rail shaft, and steel back pillars and back beam should be 150x150 mm.
- In condition of adding an additional rail, a steel 150x150 mm back pillar should also be added.

PRICE DIFFERENCE

Pillar	PILLAR GROUP		€ 488	pcs
	Standard	St. 150x150x3mm		
	to	St. 150x150x5mm		

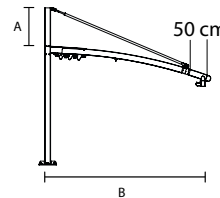
STANDARD CONSTRUCTION

PROJECTION	WIDTH																						
	250	300	350	400	450	500	550	600	650	700	750	800	850	900	950	1000	1050	1100	1150	1200	1250	1300	
200 cm																							
250 cm																							
300 cm																							
350 cm																							
400 cm																							
450 cm																							
500 cm																							
550 cm																							
600 cm																							

Pillars & Back Beam
 150x150x3mm Steel
 150x150x5mm Steel

* In case of reducing middle pillars, distance between the pillars can be maximum 600 cm.

** Steel with a wall thickness of 5 mm must be used in all cases where the pillar is reduced.

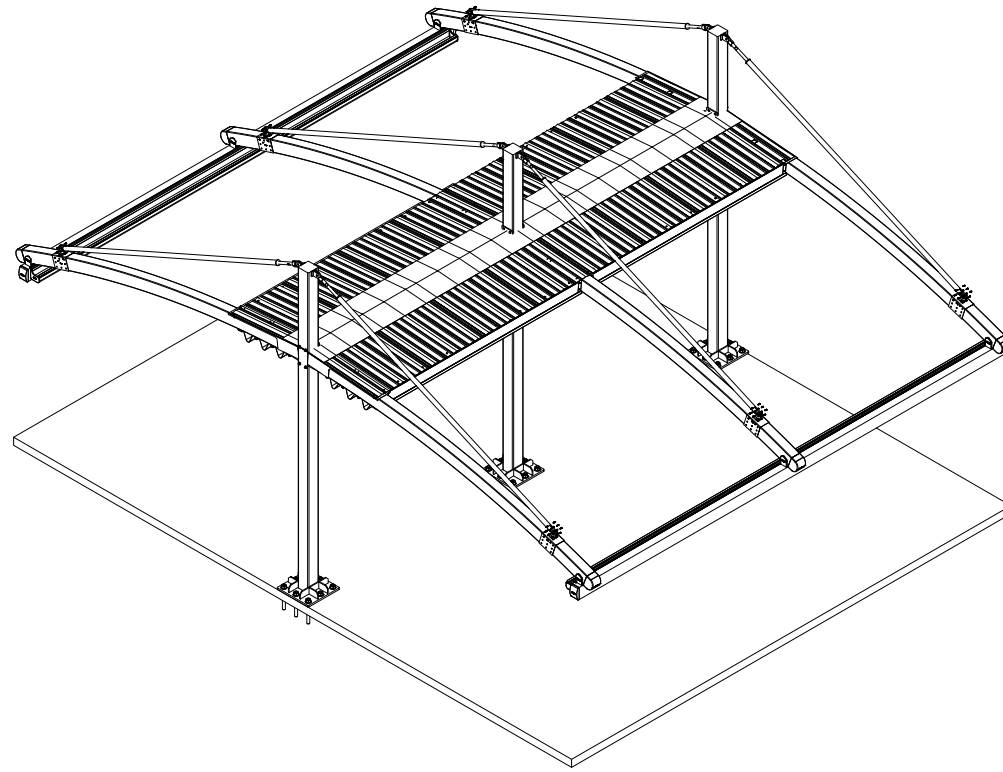


MINIMUM "A" VALUES

B (cm)	250	300	350	400	450	500	550	600
A (cm)	50	50	50	60	70	80	90	100

Upper values will be evaluated on a project basis.

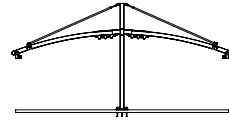
- Max. pillar length: 480 cm



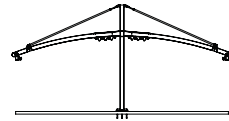
CORAL TWIN HANGING

PRODUCT FORMS

- Coral Twin Hanging

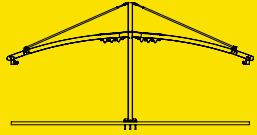


- Coral Compact Twin Hanging



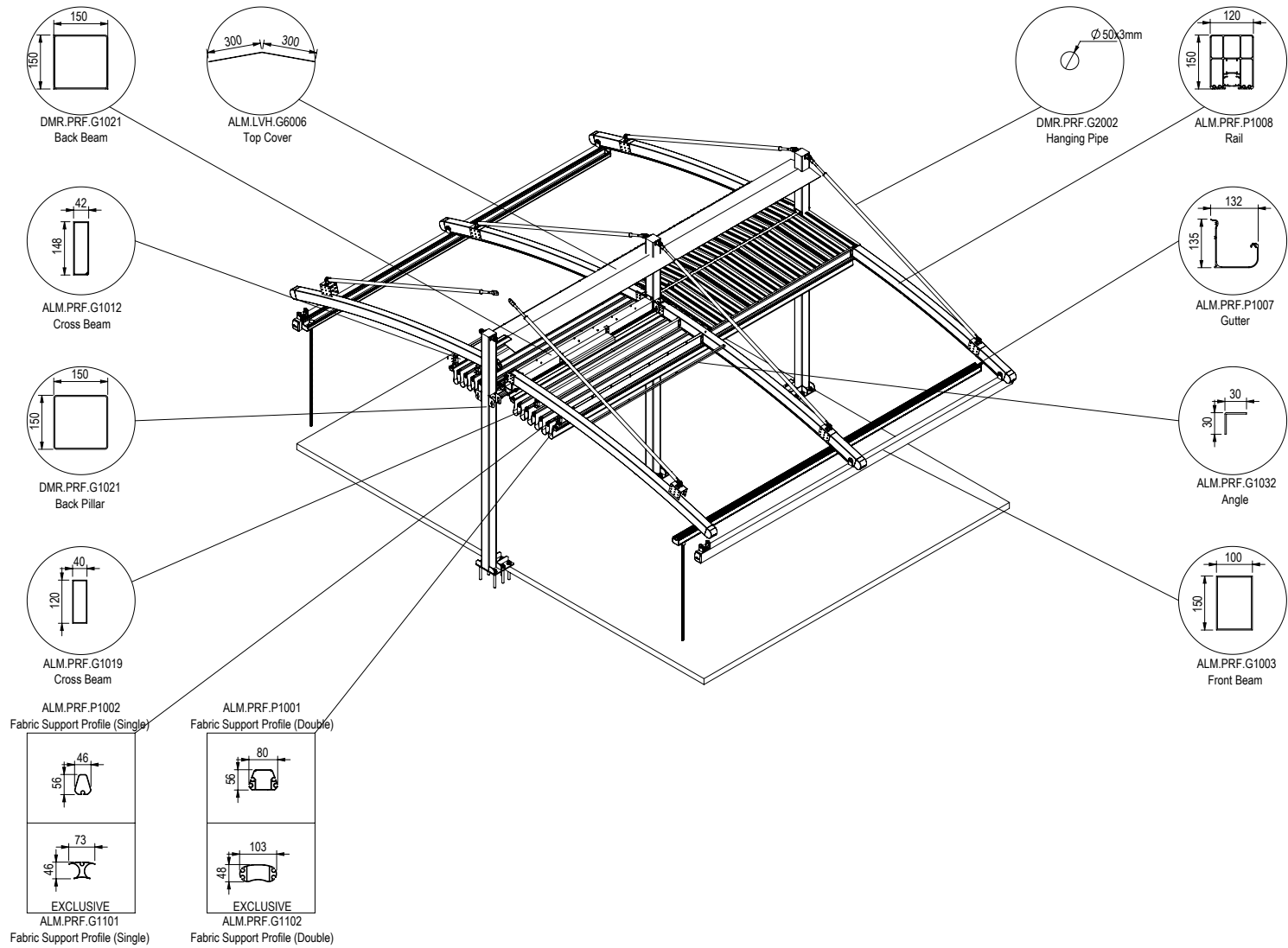
CORAL

Twin Hanging



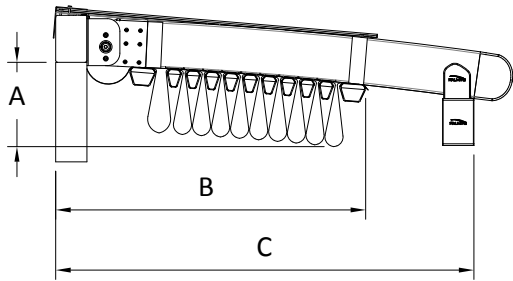
MAXIMUM DIMENSIONS

	WIDTH	PROJECTION
2 RAILS	400 cm	1200 cm
3 RAILS	800 cm	1200 cm
4 RAILS	1200 cm	1200 cm



TECHNICAL FEATURES

COLLECTED FABRIC DIMENSIONS



TILTED VERSION Projection cm

No of Fabric Support Profiles	Projection cm										C
	200	250	300	350	400	450	500	550	600		
5	30										68
6		31									74
7			32								81
9				34							94
10					35						100
11						36					107
13							38				120
14								39			126
15									40		133

*Calculated according to a slope of 15%

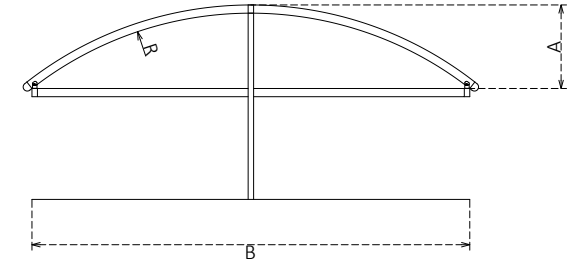
PROJECTION (cm)

RADIUS CHART

RADIUS	650	850	1500
--------	-----	-----	------

Projection	A			B
300	41			
400	58			
500	81	65		
600		85		
700		109		
800		137	83	
900			100	
1000			118	
1100			139	
1200			161	

*The values are approx. ± 5 cm



WIND RESISTANCE

PROJECTION (cm)	WIDTH (cm)																	
	450	500	550	600	650	700	750	800	850	900	950	1000	1050	1100	1150	1200	1250	1300
800	10	10	10	9	9	9	9	9	8	8	9	9	9	9	9	9	8	8
900	9	9	9	9	8	8	8	8	7	7	8	8	8	8	8	8	7	7
1000	8	8	8	8	7	7	7	7	7	6	7	7	7	7	7	7	7	6
1100	7	7	7	7	6	6	6	6	6	6	6	6	6	6	6	6	6	6
1200	7	6	6	6	6	6	6	6	5	5	6	6	6	6	6	6	5	5

*The values are given according to the Beaufort scale.

**Calculated for Products with a front height of 250 cm according to Eurocode EN 1991-1-4 Terrain Category 4.

*** You can ask for new calculations for special designs.

All sides open

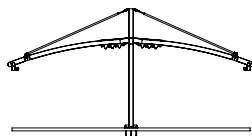
DRAINAGE CALCULATION

Type	Max. m ²
Full	39 m ² /pc

* per drainage

There should be at least one drainage, each 8 m length gutter.

CORAL Twin Hanging



Projection	2 RAILS				3 RAILS								4 RAILS								5 RAILS		FS4	FS9	FS9-S
	250 cm	300 cm	350 cm	400 cm	450 cm	500 cm	550 cm	600 cm	650 cm	700 cm	750 cm	800 cm	850 cm	900 cm	950 cm	1000 cm	1050 cm	1100 cm	1150 cm	1200 cm	1250 cm	1300 cm			
400 cm	€ 14.589	€ 15.246	€ 16.672	€ 17.341	€ 17.998	€ 20.784	€ 21.530	€ 22.198	€ 23.623	€ 24.282	€ 25.093	€ 25.750	€ 26.419	€ 27.077	€ 30.510	€ 31.167	€ 31.836	€ 32.493	€ 33.162	€ 33.820	€ 34.818	€ 35.904	€ 1.531	€ 404	€ 588
450 cm	€ 14.905	€ 15.787	€ 17.017	€ 17.696	€ 18.370	€ 21.320	€ 22.252	€ 22.932	€ 24.159	€ 24.833	€ 25.656	€ 26.539	€ 27.218	€ 27.893	€ 31.237	€ 31.911	€ 32.804	€ 33.478	€ 34.159	€ 34.834	€ 35.843	€ 36.944	€ 1.643	€ 449	€ 661
500 cm	€ 15.221	€ 16.327	€ 17.358	€ 18.049	€ 18.739	€ 21.854	€ 22.973	€ 23.662	€ 24.693	€ 25.385	€ 26.218	€ 27.324	€ 28.015	€ 28.707	€ 31.962	€ 32.654	€ 33.772	€ 34.463	€ 35.153	€ 35.844	€ 36.863	€ 37.982	€ 1.756	€ 495	€ 734
550 cm	€ 15.786	€ 16.958	€ 18.054	€ 18.811	€ 19.569	€ 22.857	€ 24.041	€ 24.798	€ 25.894	€ 26.645	€ 27.549	€ 28.724	€ 29.480	€ 30.236	€ 33.668	€ 34.424	€ 35.609	€ 36.360	€ 37.121	€ 37.879	€ 38.963	€ 40.148	€ 1.868	€ 541	€ 808
600 cm	€ 16.351	€ 17.588	€ 18.751	€ 19.574	€ 20.397	€ 23.860	€ 25.110	€ 25.933	€ 27.095	€ 27.906	€ 28.883	€ 30.122	€ 30.943	€ 31.766	€ 35.373	€ 36.196	€ 37.446	€ 38.256	€ 39.090	€ 39.912	€ 41.065	€ 42.314	€ 1.981	€ 586	€ 881
650 cm	€ 16.880	€ 17.928	€ 19.101	€ 20.147	€ 20.987	€ 24.582	€ 25.631	€ 26.677	€ 27.855	€ 28.683	€ 29.670	€ 30.926	€ 31.759	€ 32.592	€ 36.544	€ 37.379	€ 38.431	€ 39.259	€ 40.312	€ 41.150	€ 42.318	€ 43.364	€ 2.093	€ 632	€ 955
700 cm	€ 17.413	€ 18.268	€ 19.453	€ 20.724	€ 21.580	€ 25.306	€ 26.151	€ 27.423	€ 28.618	€ 29.463	€ 30.460	€ 31.732	€ 32.577	€ 33.420	€ 37.719	€ 38.562	€ 39.417	€ 40.262	€ 41.534	€ 42.389	€ 43.574	€ 44.417	€ 2.205	€ 678	€ 1.028
750 cm	€ 17.742	€ 18.608	€ 19.808	€ 21.097	€ 21.957	€ 25.817	€ 26.677	€ 27.961	€ 29.171	€ 30.026	€ 31.042	€ 32.324	€ 33.185	€ 34.045	€ 38.470	€ 39.330	€ 40.197	€ 41.058	€ 42.340	€ 43.212	€ 44.407	€ 45.268	€ 2.318	€ 723	€ 1.102
800 cm	€ 18.070	€ 18.946	€ 20.163	€ 21.469	€ 22.334	€ 26.325	€ 27.203	€ 28.497	€ 29.724	€ 30.590	€ 31.621	€ 32.915	€ 33.792	€ 34.670	€ 39.219	€ 40.097	€ 40.974	€ 41.852	€ 43.144	€ 44.033	€ 45.239	€ 46.116	€ 2.430	€ 769	€ 1.175
850 cm	€ 18.410	€ 19.302	€ 20.531	€ 21.846	€ 22.735	€ 26.851	€ 27.741	€ 29.050	€ 30.289	€ 31.172	€ 32.213	€ 33.524	€ 34.417	€ 35.305	€ 39.982	€ 40.875	€ 41.770	€ 42.657	€ 43.967	€ 44.866	€ 46.089	€ 46.976	€ 2.542	€ 815	€ 1.249
900 cm	€ 18.749	€ 19.659	€ 20.898	€ 22.225	€ 23.135	€ 27.379	€ 28.277	€ 29.605	€ 30.854	€ 31.754	€ 32.806	€ 34.132	€ 35.042	€ 35.942	€ 40.744	€ 41.654	€ 42.563	€ 43.463	€ 44.790	€ 45.699	€ 46.939	€ 47.838	€ 2.655	€ 860	€ 1.322
950 cm	€ 19.079	€ 19.999	€ 21.255	€ 22.599	€ 23.519	€ 27.894	€ 28.809	€ 30.148	€ 31.407	€ 32.324	€ 33.393	€ 34.730	€ 35.656	€ 36.566	€ 41.500	€ 42.427	€ 43.349	€ 44.264	€ 45.602	€ 46.527	€ 47.779	€ 48.694	€ 2.767	€ 906	€ 1.395
1000 cm	€ 19.406	€ 20.339	€ 21.610	€ 22.969	€ 23.901	€ 28.408	€ 29.340	€ 30.689	€ 31.961	€ 32.893	€ 33.978	€ 35.327	€ 36.269	€ 37.191	€ 42.256	€ 43.199	€ 44.131	€ 45.063	€ 46.411	€ 47.354	€ 48.615	€ 49.547	€ 2.880	€ 952	€ 1.469
1050 cm	€ 19.734	€ 20.678	€ 21.965	€ 23.340	€ 24.284	€ 28.922	€ 29.871	€ 31.230	€ 32.514	€ 33.461	€ 34.564	€ 35.925	€ 36.882	€ 37.816	€ 43.012	€ 43.970	€ 44.912	€ 45.862	€ 47.220	€ 48.180	€ 49.452	€ 50.401	€ 3.004	€ 999	€ 1.542
1100 cm	€ 20.062	€ 21.018	€ 22.321	€ 23.710	€ 24.666	€ 29.436	€ 30.402	€ 31.771	€ 33.067	€ 34.030	€ 35.149	€ 36.522	€ 37.495	€ 38.441	€ 43.769	€ 44.742	€ 45.694	€ 46.661	€ 48.030	€ 49.006	€ 50.288	€ 51.254	€ 3.131	€ 1.045	€ 1.616
1150 cm	€ 20.390	€ 21.358	€ 22.676	€ 24.081	€ 25.048	€ 29.950	€ 30.933	€ 32.312	€ 33.620	€ 34.598	€ 35.735	€ 37.119	€ 38.108	€ 39.066	€ 44.525	€ 45.513	€ 46.476	€ 47.459	€ 48.839	€ 49.832	€ 51.125	€ 52.108	€ 3.255	€ 1.092	€ 1.689
1200 cm	€ 20.718	€ 21.697	€ 23.031	€ 24.451	€ 25.431	€ 30.463	€ 31.464	€ 32.853	€ 34.173	€ 35.167	€ 36.321	€ 37.717	€ 38.721	€ 39.690	€ 45.281	€ 46.285	€ 47.258	€ 48.258	€ 49.648	€ 50.659	€ 51.961	€ 52.962	€ 3.380	€ 1.138	€ 1.763

FS3	€ 219	€ 230	€ 251	€ 276	€ 298	€ 321	€ 344	€ 367	€ 390	€ 413	€ 530	€ 553	€ 576	€ 599	€ 623	€ 646	€ 669	€ 692	€ 715	€ 737	€ 760	€ 783
FS5-A	€ 40	€ 51	€ 60	€ 68	€ 79	€ 88	€ 98	€ 107	€ 118	€ 126	€ 137	€ 146	€ 156	€ 165	€ 176	€ 184	€ 195	€ 204	€ 214	€ 223	€ 234	€ 242
FS5-E	€ 56	€ 70	€ 82	€ 94	€ 109	€ 121	€ 135	€ 147	€ 162	€ 174	€ 189	€ 201	€ 215	€ 227	€ 242	€ 254	€ 268	€ 280	€ 295	€ 307	€ 322	€ 334

FS3	Gutter System (For One Side)
FS5-A	Additional Fabric Support Profile (Standard)
FS5-E	Additional Fabric Support Profile (3 Axis)
FS4	Additional Rail - Al. - 120x150mm
FS8	Lighting System
FS9	Side Beam - Al. - 50x150mm
FS9-S	Side Beam - Al. - 100x150mm (Special)

FS8		LED TYPE & MODULE		
FS8-S	SPOT	2 LED	3 LED	4 LED
FS8-L	LINEAR	€ 151	€ 183	€ 216
FS8-E	3 AXIS ⁸	€ 216	€ 280	
FS8-LR	LINEAR (RGB)	€ 248	€ 323	
FS8-ER	3 AXIS (RGB) ⁸	€ 274	€ 356	
		€ 315	€ 409	

Notes:

- Any Side Beam is not included in the price.
- FS Flexy Plain/3D or Stam 6002 is included in the price.
- Motor and Remote control is included in the price.
- Palmiye Aluminium Coating Catalogue includes the standard colours with no extra cost. For any other type/brand/color of paint, price difference and additional delivery duration shall be checked from your customer representative.
- Standard fabric support profile plastic colours are specified in Palmiye Aluminium Coating Catalogue.
- The gutter option price is for one side and must be added separately for each side.
- In pergolas including steel front pillars, if gutter option is preferred, external water drainage points will be specified according to the Project and will be priced additionally.
- 3 AXIS lights available only at exclusive fabric option.

DEDUCTIONS

Price deduction is applicable only for back pillars and back beam. Deduction amount shall be consider as 70% of related option price.

OPTIONS

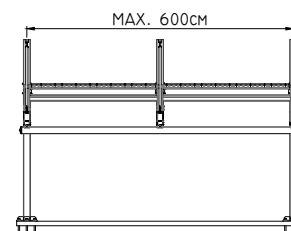
FS10-150ST3	Extra pillar (150x150x3mm St.)	€ 894	pcs
FS10-150ST5	Extra pillar (150x150x5mm St.)	€ 1.250	pcs
FS10-150ST5-H	Extra Half pillar (150x150x5mm St.)	€ 150	pcs
FS11	Deco ceiling cover	€ 66	m ²
FS15	Side beam pillar (50x100mm - Al)	€ 259	pcs
FS15-B	Side beam pillar (100x100mm - Al)	€ 500	pcs
FS19	Fix louver	€ 68	lm
FS24	W96 Ceiling Cover	€ 76	m ²
FS26	Exclusive fabric difference (up to 800cm width)	€ 45	m ²
FS27	3 Axis lighting fabric support profile difference	€ 13	m ²
FS28-1	Stainless steel chain - 100 cm	€ 72	1m
FS28-2	Stainless steel chain - 200 cm	€ 140	2m
FS28-3	Stainless steel chain - 300 cm	€ 204	3m
FS28-4	Stainless steel chain - 400 cm	€ 272	4m
FS29-1	Sun Sensor (SUNIS) (for single motor)	€ 567	pcs
FS29-1S	Sun Sensor (SUNIS) (for synchronized motor)	€ 903	pcs
FS29-2	Wind Sensor (EOLIS RTS) (for single motor)	€ 267	pcs
FS29-2S	Wind Sensor (EOLIS RTS) (for synchronized motor)	€ 600	pcs
FS29-3	Sun and Wind Sensor (SOLIRIS RTS) (for single motor)	€ 302	pcs
FS29-3S	Sun and Wind Sensor (SOLIRIS RTS) (for synchronized motor)	€ 635	pcs
FS29-42	Rain Sensor (ONDEIS) (for single motor)	€ 524	pcs
FS29-4S3	Rain Sensor (ONDEIS) (for synchronized motor)	€ 856	pcs
FS30	CONNEXOON	€ 479	pcs

Notes:

1. Fabric support profiles can be painted in the same color as the general construction. No fee is paid for this process. However, the plastic color should be specified from our standard plastic colours in Palmiye Color Chart.
2. For one product, a dry contact transmitter costing 337€, must be added.
3. Up to 5 products, a RS485 Automation interface dry contact transmitter costing 1027€, must be added.
4. Exclusive fabric option can only be selected together with 3 axis fabric support profile. Price difference for 3 axis fabric profile should be added.

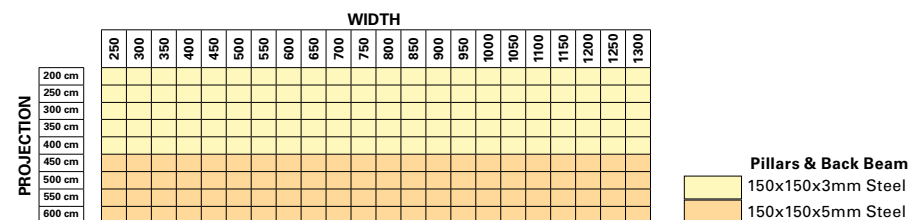
EXTENSIONS

Rail	- 120x150mm	€ 308	lm
Beam	Al. 42x150mm	€ 96	lm
Beam	Al. 50x150mm	€ 169	lm
Beam	Al. 100x150mm	€ 141	lm
Beam	St. 100x150x3mm	€ 292	lm
Beam	St. 100x150x5mm	€ 354	lm
Beam	St. 100x200x3mm	€ 296	lm
Beam	St. 100x200x5mm	€ 421	lm
Fabric protection cover	Al. - 63x___cm	€ 55	m ²
Gutter	Special Profile	€ 41	lm



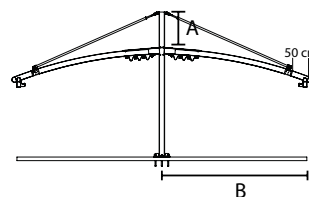
- The front beam can not be produced in steel.
- Ground flanges are 380x380x15 mm.
- When pillar reduction is applied, half pillar must be installed at the back of each rail shaft, and steel back pillars and back beam should be 150x150 mm.
- In condition of adding an additional rail, a steel 150x150 mm back pillar should also be added.

STANDARD CONSTRUCTION



* In case of reducing middle pillars, distance between the pillars can be maximum 600 cm.

** Steel with a wall thickness of 5 mm must be used in all cases where the pillar is reduced.



MINIMUM "A" VALUES

B (cm)	250	300	350	400	450	500	550	600
A (cm)	50	50	50	60	70	80	90	100

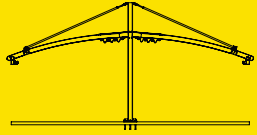
Upper values will be evaluated on a project basis.

PRICE DIFFERENCE

Pillar	PILLAR GROUP		
	Standard	St. 150x150x3mm	
	to	St. 150x150x5mm	€ 488 pcs

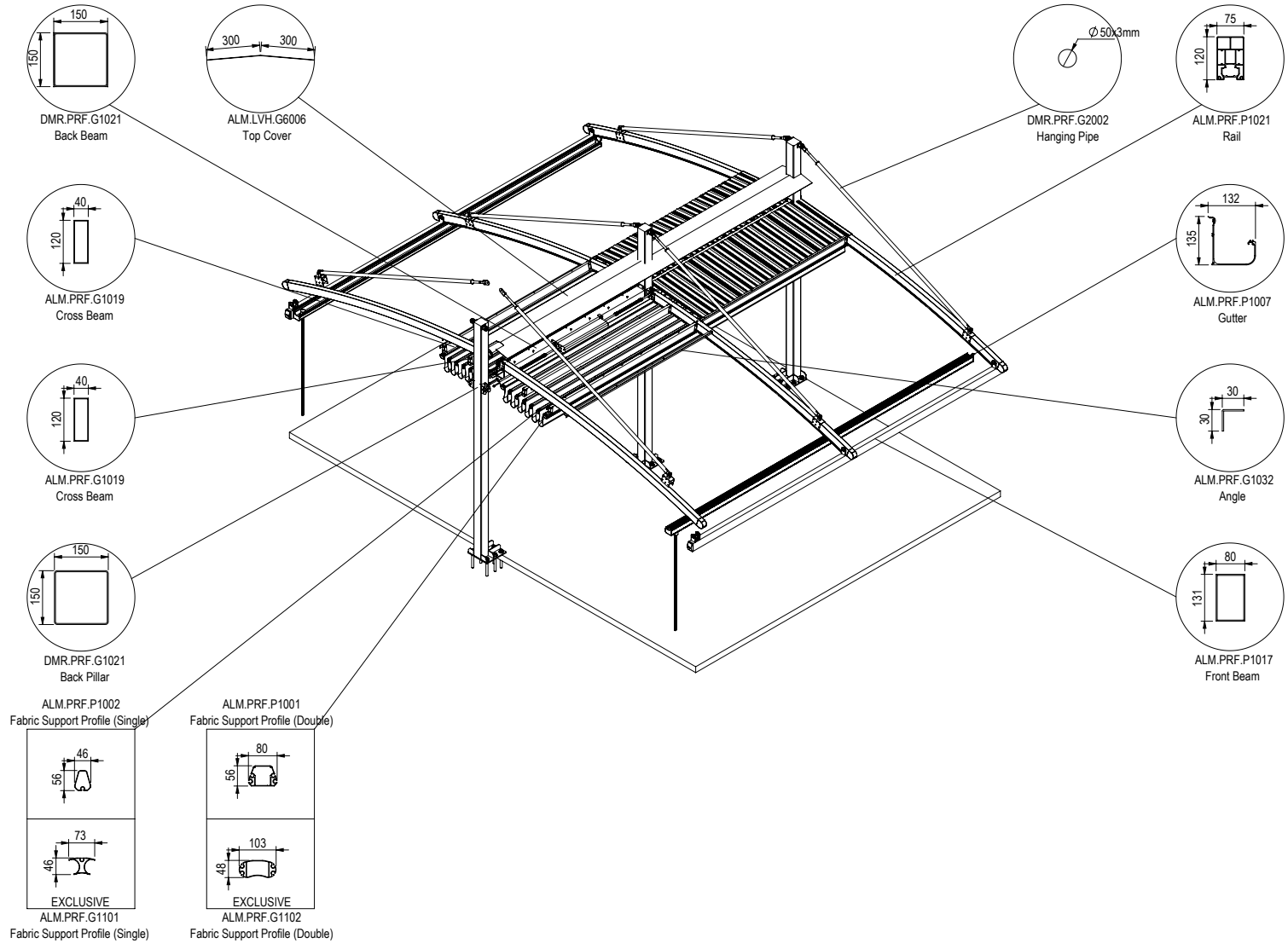
CORAL

Compact Twin Hanging



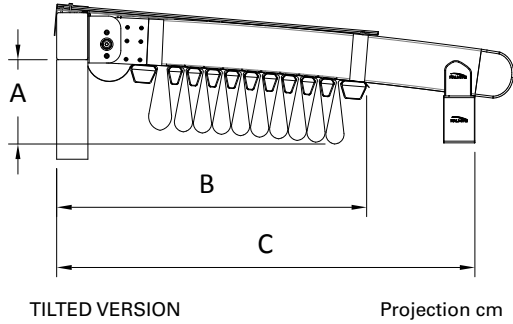
MAXIMUM DIMENSIONS

	WIDTH	PROJECTION
2 RAILS	400 cm	1200 cm
3 RAILS	800 cm	1200 cm
4 RAILS	1200 cm	1200 cm
5 RAILS	1300 cm	1200 cm



TECHNICAL FEATURES

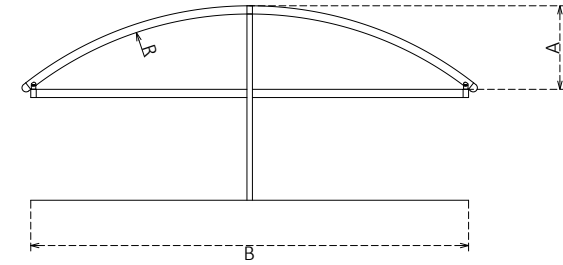
COLLECTED FABRIC DIMENSIONS



RADIUS CHART

RADIUS	650	850	1500
--------	-----	-----	------

Projection	A			B
300	41			
400	58			
500	81	65		
600		85		
700		109		
800		137	83	
900			100	
1000			118	
1100			139	
1200			161	



*The values are approx. ± 5 cm

	200	250	300	350	400	450	500	550	600	C
5	30									68
6	31									74
8	33									87
9	34									94
10	35									100
11	36									107
13	38									120
14	39									126
15	40									133



*Calculated according to a slope of 15%

WIND RESISTANCE

PROJECTION (cm)	WIDTH (cm)																	
	450	500	550	600	650	700	750	800	850	900	950	1000	1050	1100	1150	1200	1250	1300
400	11	11	11	11	11	11	11	10	10	10	11	11	11	11	10	10	10	10
500	11	11	10	10	10	10	9	9	9	9	10	10	10	9	9	9	9	9
600	10	10	10	9	9	9	8	8	8	8	9	9	9	8	8	8	8	8
700	9	9	9	8	8	8	7	7	7	7	8	8	8	7	7	7	7	7
800	9	9	8	7	7	7	7	7	7	6	7	7	7	7	7	7	7	6
900	7	7	7	6	6	6	6	6	6	5	6	6	6	6	6	6	6	5
1000	6	6	6	6	6	6	6	5	5	5	6	6	6	6	5	5	5	5
1100	5	5	5	5	5	5	5	5	5	5	5	5	5	5	5	5	5	5
1200	5	5	5	5	5	5	5	4	4	4	5	5	5	5	4	4	4	4

*The values are given according to the Beaufort scale.

**Calculated for Products with a front height of 250 cm according to Eurocode EN 1991-1-4 Terrain Category 4.

*** You can ask for new calculations for special designs.

All sides open

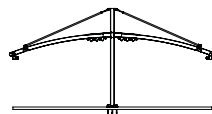
DRAINAGE CALCULATION

Type	Max. m ²
Compact	30 m ² /pc

* per drainage

There should be at least one drainage, each 8 m length gutter.

CORAL Compact Twin Hanging



Width Projection	2 RAILS				3 RAILS								4 RAILS								5 RAILS		FS4	FS9-C
	250 cm	300 cm	350 cm	400 cm	450 cm	500 cm	550 cm	600 cm	650 cm	700 cm	750 cm	800 cm	850 cm	900 cm	950 cm	1000 cm	1050 cm	1100 cm	1150 cm	1200 cm	1250 cm	1300 cm		
400 cm	€ 11.821	€ 12.349	€ 13.500	€ 14.037	€ 14.565	€ 16.814	€ 17.412	€ 17.947	€ 19.093	€ 19.620	€ 20.269	€ 20.793	€ 21.327	€ 21.851	€ 24.614	€ 25.136	€ 25.668	€ 26.190	€ 26.721	€ 27.242	€ 28.037	€ 28.903	€ 1.263	€ 333
450 cm	€ 12.065	€ 12.775	€ 13.766	€ 14.311	€ 14.851	€ 17.231	€ 17.979	€ 18.522	€ 19.507	€ 20.046	€ 20.703	€ 21.409	€ 21.950	€ 22.487	€ 25.175	€ 25.711	€ 26.422	€ 26.957	€ 27.497	€ 28.031	€ 28.834	€ 29.710	€ 1.356	€ 371
500 cm	€ 12.308	€ 13.199	€ 14.028	€ 14.582	€ 15.135	€ 17.645	€ 18.542	€ 19.093	€ 19.919	€ 20.470	€ 21.136	€ 22.020	€ 22.571	€ 23.120	€ 25.734	€ 26.283	€ 27.175	€ 27.722	€ 28.268	€ 28.815	€ 29.625	€ 30.514	€ 1.449	€ 408
550 cm	€ 12.752	€ 13.696	€ 14.576	€ 15.182	€ 15.789	€ 18.436	€ 19.386	€ 19.989	€ 20.866	€ 21.465	€ 22.187	€ 23.126	€ 23.727	€ 24.328	€ 27.081	€ 27.680	€ 28.624	€ 29.219	€ 29.821	€ 30.421	€ 31.282	€ 32.223	€ 1.541	€ 446
600 cm	€ 13.196	€ 14.190	€ 15.124	€ 15.782	€ 16.441	€ 19.227	€ 20.227	€ 20.884	€ 21.813	€ 22.459	€ 23.238	€ 24.227	€ 24.880	€ 25.533	€ 28.424	€ 29.076	€ 30.071	€ 30.712	€ 31.371	€ 32.022	€ 32.936	€ 33.928	€ 1.634	€ 484
650 cm	€ 13.609	€ 14.450	€ 15.391	€ 16.229	€ 16.900	€ 19.789	€ 20.626	€ 21.462	€ 22.402	€ 23.061	€ 23.847	€ 24.849	€ 25.511	€ 26.172	€ 29.336	€ 29.997	€ 30.831	€ 31.485	€ 32.320	€ 32.982	€ 33.907	€ 34.735	€ 1.727	€ 521
700 cm	€ 14.025	€ 14.709	€ 15.658	€ 16.677	€ 17.360	€ 20.351	€ 21.024	€ 22.040	€ 22.993	€ 23.665	€ 24.458	€ 25.471	€ 26.141	€ 26.810	€ 30.248	€ 30.915	€ 31.591	€ 32.258	€ 33.267	€ 33.941	€ 34.879	€ 35.543	€ 1.819	€ 559
750 cm	€ 14.276	€ 14.968	€ 15.928	€ 16.959	€ 17.646	€ 20.741	€ 21.426	€ 22.450	€ 23.414	€ 24.093	€ 24.900	€ 25.921	€ 26.602	€ 27.284	€ 30.820	€ 31.500	€ 32.184	€ 32.863	€ 33.878	€ 34.565	€ 35.510	€ 36.187	€ 1.912	€ 597
800 cm	€ 14.525	€ 15.225	€ 16.198	€ 17.241	€ 17.931	€ 21.129	€ 21.826	€ 22.857	€ 23.834	€ 24.521	€ 25.339	€ 26.368	€ 27.063	€ 27.757	€ 31.389	€ 32.081	€ 32.773	€ 33.465	€ 34.487	€ 35.187	€ 36.139	€ 36.828	€ 2.005	€ 634
850 cm	€ 14.784	€ 15.496	€ 16.478	€ 17.527	€ 18.235	€ 21.529	€ 22.235	€ 23.278	€ 24.263	€ 24.962	€ 25.788	€ 26.830	€ 27.535	€ 28.237	€ 31.968	€ 32.672	€ 33.376	€ 34.075	€ 35.110	€ 35.817	€ 36.781	€ 37.478	€ 2.097	€ 672
900 cm	€ 15.042	€ 15.767	€ 16.755	€ 17.813	€ 18.537	€ 21.930	€ 22.643	€ 23.699	€ 24.691	€ 25.403	€ 26.236	€ 27.289	€ 28.007	€ 28.717	€ 32.544	€ 33.260	€ 33.976	€ 34.684	€ 35.731	€ 36.445	€ 37.422	€ 38.127	€ 2.190	€ 710
950 cm	€ 15.291	€ 16.023	€ 17.024	€ 18.095	€ 18.826	€ 22.321	€ 23.046	€ 24.109	€ 25.109	€ 25.834	€ 26.679	€ 27.738	€ 28.470	€ 29.187	€ 33.115	€ 33.844	€ 34.568	€ 35.287	€ 36.343	€ 37.068	€ 38.053	€ 38.770	€ 2.283	€ 747
1000 cm	€ 15.538	€ 16.279	€ 17.292	€ 18.373	€ 19.113	€ 22.709	€ 23.447	€ 24.517	€ 25.525	€ 26.262	€ 27.120	€ 28.187	€ 28.930	€ 29.656	€ 33.685	€ 34.425	€ 35.157	€ 35.888	€ 36.950	€ 37.689	€ 38.681	€ 39.410	€ 2.376	€ 785
1050 cm	€ 15.785	€ 16.535	€ 17.559	€ 18.651	€ 19.400	€ 23.098	€ 23.848	€ 24.925	€ 25.942	€ 26.690	€ 27.560	€ 28.636	€ 29.391	€ 30.125	€ 34.254	€ 35.006	€ 35.745	€ 36.489	€ 37.558	€ 38.309	€ 39.308	€ 40.050	€ 2.469	€ 823
1100 cm	€ 16.032	€ 16.791	€ 17.826	€ 18.930	€ 19.687	€ 23.486	€ 24.250	€ 25.334	€ 26.359	€ 27.118	€ 28.001	€ 29.085	€ 29.851	€ 30.594	€ 34.824	€ 35.587	€ 36.333	€ 37.090	€ 38.166	€ 38.930	€ 39.935	€ 40.690	€ 2.562	€ 860
1150 cm	€ 16.279	€ 17.047	€ 18.093	€ 19.208	€ 19.974	€ 23.875	€ 24.651	€ 25.742	€ 26.775	€ 27.546	€ 28.442	€ 29.534	€ 30.311	€ 31.063	€ 35.393	€ 36.168	€ 36.921	€ 37.690	€ 38.774	€ 39.550	€ 40.563	€ 41.330	€ 2.653	€ 899
1200 cm	€ 16.526	€ 17.303	€ 18.360	€ 19.486	€ 20.261	€ 24.263	€ 25.052	€ 26.150	€ 27.192	€ 27.974	€ 28.882	€ 29.983	€ 30.772	€ 31.532	€ 35.963	€ 36.749	€ 37.509	€ 38.291	€ 39.381	€ 40.170	€ 41.190	€ 41.970	€ 2.746	€ 936

FS3	€ 219	€ 230	€ 251	€ 276	€ 298	€ 321	€ 344	€ 367	€ 390	€ 413	€ 530	€ 553	€ 576	€ 599	€ 623	€ 646	€ 669	€ 692	€ 715	€ 737	€ 760	€ 783
FS5-A	€ 40	€ 51	€ 60	€ 68	€ 79	€ 88	€ 98	€ 107	€ 118	€ 126	€ 137	€ 146	€ 156	€ 165	€ 176	€ 184	€ 195	€ 204	€ 214	€ 223	€ 234	€ 242
FS5-E	€ 56	€ 70	€ 82	€ 94	€ 109	€ 121	€ 135	€ 147	€ 162	€ 174	€ 189	€ 201	€ 215	€ 227	€ 242	€ 254	€ 268	€ 280	€ 295	€ 307	€ 322	€ 334

FS3	Gutter System (For One Side)
FS5-A	Additional Fabric Support Profile (Standard)
FS5-E	Additional Fabric Support Profile (3 Axis)
FS4	Additional Rail for Compact Series- Al. - 75x120mm
FS8	Lighting System
FS9-C	Side Beam for Compact Series- Al. - 80x130mm

FS8	
FS8-S	SPOT
FS8-L	LINEAR
FS8-E	3 AXIS ⁸
FS8-LR	LINEAR (RGB)
FS8-ER	3 AXIS (RGB) ⁸

LED TYPE & MODULE		
2 LED	3 LED	4 LED
€ 151	€ 183	€ 216
€ 216	€ 280	
€ 248	€ 323	
€ 274	€ 356	
€ 315	€ 409	

Notes:

- Any Side Beam is not included in the price.
- FS Flexy Plain/3D or Stam 6002 is included in the price.
- Motor and Remote control is included in the price.
- Palmiye Aluminium Coating Catalogue includes the standard colours with no extra cost. For any other type/brand/color of paint, price difference and additional delivery duration shall be checked from your customer representative.
- Standard fabric support profile plastic colours are specified in Palmiye Aluminium Coating Catalogue.
- The gutter option price is for one side and must be added separately for each side.
- In pergolas including steel front pillars, if gutter option is preferred, external water drainage points will be specified according to the Project and will be priced additionally.
- 3 AXIS lights available only at exclusive fabric option.

DEDUCTIONS

Price deduction is applicable only for back pillars and back beam. Deduction amount shall be consider as 70% of related option price.

OPTIONS

FS10-150ST3	Extra pillar (150x150x3mm St.)	€ 894	pcs
FS10-150ST5	Extra pillar (150x150x5mm St.)	€ 1.250	pcs
FS10-150ST5-H	Extra Half pillar (150x150x5mm St.)	€ 150	pcs
FS11	Deco ceiling cover	€ 66	m ²
FS15-C	Side beam pillar (80x80mm - Al)	€ 368	pcs
FS19	Fix louver	€ 68	lm
FS24	W96 Ceiling Cover	€ 76	m ²
FS26	Exclusive fabric difference (up to 800cm width)	€ 45	m ²
FS27	3 Axis lighting fabric support profile difference	€ 13	m ²
FS28-1	Stainless steel chain - 100 cm	€ 72	1m
FS28-2	Stainless steel chain - 200 cm	€ 140	2m
FS28-3	Stainless steel chain - 300 cm	€ 204	3m
FS28-4	Stainless steel chain - 400 cm	€ 272	4m
FS29-1	Sun Sensor (SUNIS) (for single motor)	€ 567	pcs
FS29-1S	Sun Sensor (SUNIS) (for synchronized motor)	€ 903	pcs
FS29-2	Wind Sensor (EOLIS RTS) (for single motor)	€ 267	pcs
FS29-2S	Wind Sensor (EOLIS RTS) (for synchronized motor)	€ 600	pcs
FS29-3	Sun and Wind Sensor (SOLIRIS RTS) (for single motor)	€ 302	pcs
FS29-3S	Sun and Wind Sensor (SOLIRIS RTS) (for synchronized motor)	€ 635	pcs
FS29-42	Rain Sensor (ONDEIS) (for single motor)	€ 524	pcs
FS29-4S3	Rain Sensor (ONDEIS) (for synchronized motor)	€ 856	pcs
FS30	CONNEXOON	€ 479	pcs

Notes:

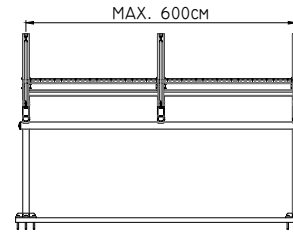
1. Fabric support profiles can be painted in the same color as the general construction. No fee is paid for this process. However, the plastic color should be specified from our standard plastic colours in Palmiye Color Chart.
2. For one product, a dry contact transmitter costing 337€, must be added.
3. Up to 5 products, a RS485 Automation interface dry contact transmitter costing 1027€, must be added.
4. Exclusive fabric option can only be selected together with 3 axis fabric support profile. Price difference for 3 axis fabric profile should be added.

EXTENSIONS

Rail	Compact - 75x120mm	€ 188	lm
Beam	Al. 40x120mm	€ 61	lm
Beam	Al. 42x150mm	€ 96	lm
Beam	Al. 50x150mm	€ 169	lm
Beam	Al. 80x130mm	€ 90	lm
Beam	Al. 100x150mm	€ 141	lm
Beam	St. 100x150x3mm	€ 292	lm
Beam	St. 100x150x5mm	€ 354	lm
Beam	St. 100x200x3mm	€ 296	lm
Beam	St. 100x200x5mm	€ 421	lm
Fabric protection cover	Al. - 63x__cm	€ 55	m ²
Gutter	Special Profile	€ 41	lm

*Max. St 3mm. Pillar (St. 100x100x3mm) height is 380cm

*Max. St. 5mm Pillar (St. 100x100x5mm) height is 480cm



- The front beam can not be produced in steel.
- Ground flanges are 380x380x15 mm.
- When pillar reduction is applied, half pillar must be installed at the back of each rail shaft, and steel back pillars and back beam should be 150x150 mm.
- In condition of adding an additional rail, a steel 150x150x3m back pillar should also be added.

PRICE DIFFERENCE

Pillar	PILLAR GROUP	
	Standard	St. 150x150x3mm
to	St. 150x150x5mm	€ 488 pcs

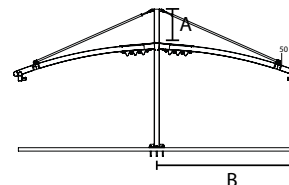
STANDARD CONSTRUCTION

PROJECTION	WIDTH																						
	250	300	350	400	450	500	550	600	650	700	750	800	850	900	950	1000	1050	1100	1150	1200	1250	1300	
400 cm																							
500 cm																							
600 cm																							
700 cm																							
800 cm																							
900 cm																							
1000 cm																							
1100 cm																							
1200 cm																							
1250 cm																							
1300 cm																							

Pillars & Back Beam
 150x150x3mm Steel
 150x150x5mm Steel

* In case of reducing middle pillars, distance between the pillars can be maximum 600 cm.

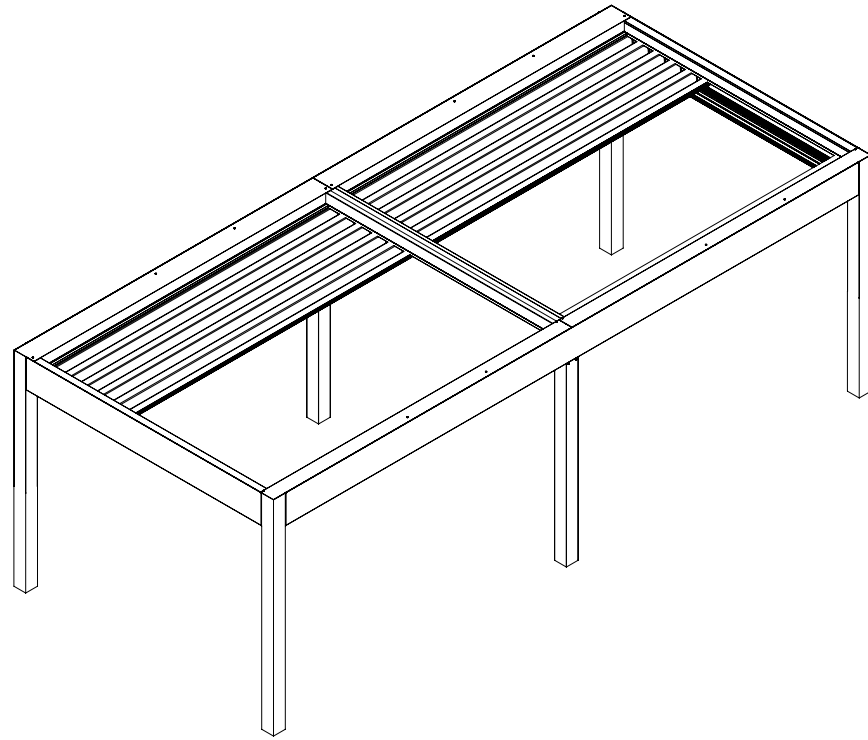
** Steel with a wall thickness of 5 mm must be used in all cases where the pillar is reduced.



MINIMUM "A" VALUES

B (cm)	250	300	350	400	450	500	550	600
A (cm)	50	50	50	60	70	80	90	100

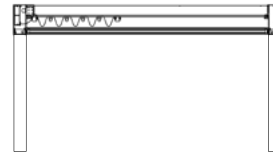
Upper values will be evaluated on a project basis.



SATIN S

PRODUCT FORMS

- SATIN S

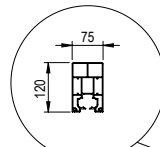


SATIN S

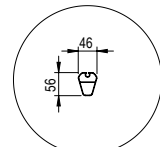


MAXIMUM DIMENSIONS

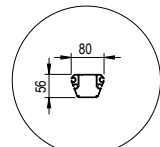
	WIDTH	PROJECTION
Single Fabric	400 cm	800 cm
Double Fabric	800 cm	600 cm



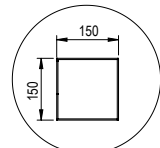
ALM.PRF.P1018
Aluminum Rail Profile



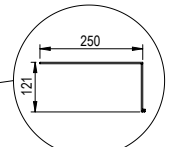
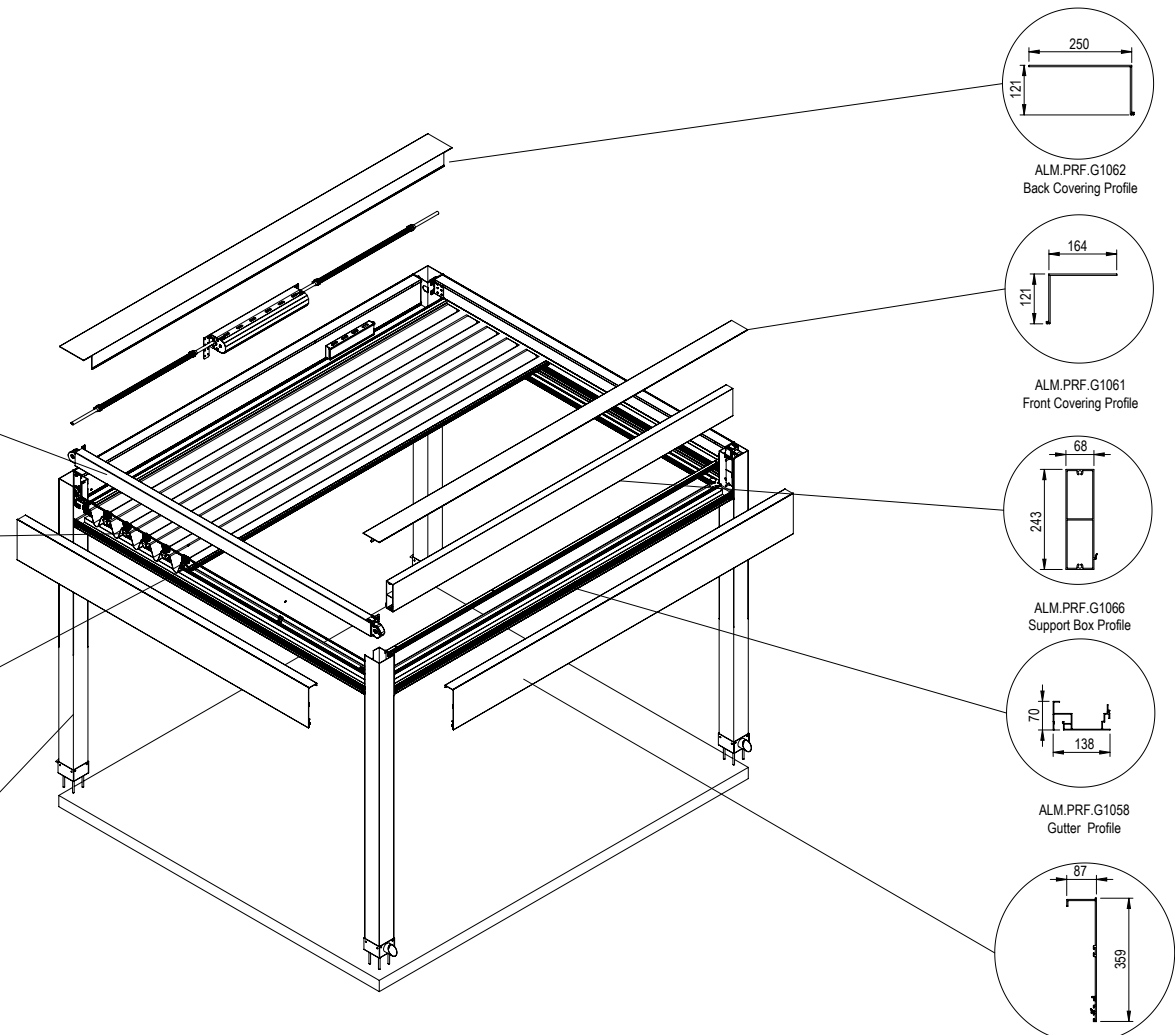
ALM.PRF.P1002
Aluminum fabric profile | Single channeled



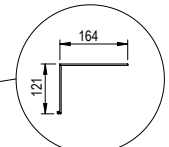
ALM.PRF.P1001
Aluminum fabric profile | Double channeled



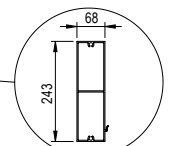
ALM.PRF.G4033
Aluminum pillar profile | 150x150mm



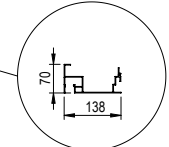
ALM.PRF.G1062
Back Covering Profile



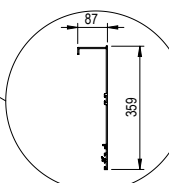
ALM.PRF.G1061
Front Covering Profile



ALM.PRF.G1066
Support Box Profile



ALM.PRF.G1058
Gutter Profile



ALM.PRF.G1059
Face Profile

TECHNICAL FEATURES

COLLECTED FABRIC DIMENSIONS

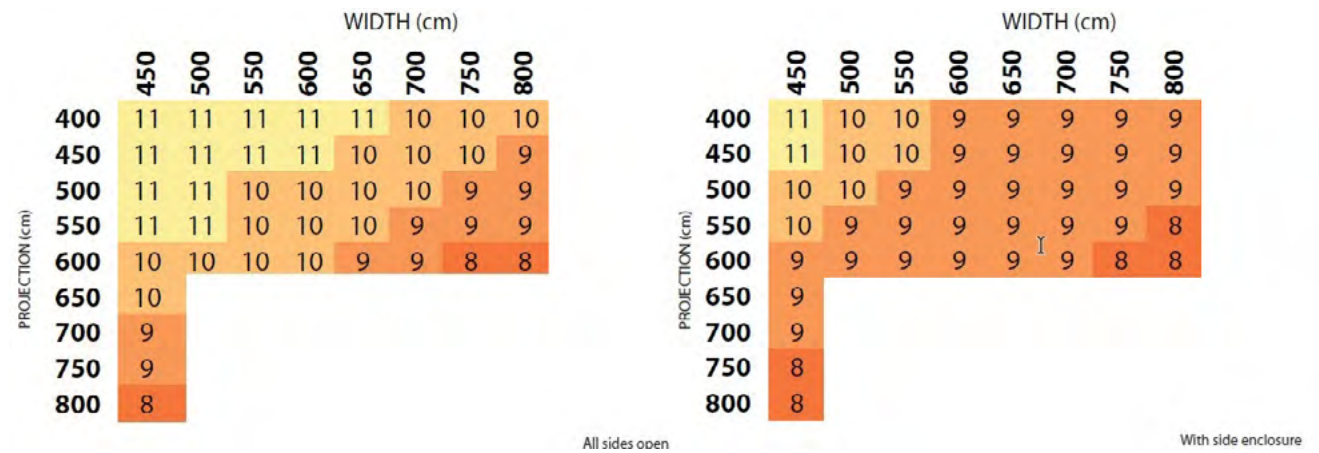


Carrier Q'ty	Collected dimension (Fabric)	Total Projection	Parking area
7	61cm	250cm	24%
8	67cm	282cm	24%
9	74cm	314cm	23%
10	80cm	346cm	23%
11	87cm	378cm	23%
12	93cm	410cm	23%
13	100cm	442cm	23%
14	106cm	474cm	22%
15	113cm	506cm	22%
16	119cm	538cm	22%
17	126cm	570cm	22%
18	132cm	602cm	22%
19	139cm	634cm	22%
29	145cm	666cm	22%
21	152cm	698cm	22%
22	158cm	730cm	22%
23	165cm	762cm	22%
24	171cm	794cm	22%

DRAINAGE CALCULATION

For each fabric;
 If ceiling area is smaller than 20 m², one water outlet point ,
 If ceiling area is bigger than 20 m², two water outlet points
 should be applied to the system.

WIND RESISTANCE

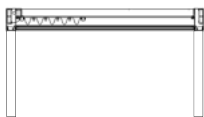


*The values are given according to the Beaufort scale.

**Calculated for Products with a front height of 250 cm according to Eurocode EN 1991-1-4 Terrain Category 4.

*** You can ask for new calculations for special designs.

SATIN S



Projection	Width				Width							
	SINGLE FABRIC				DOUBLE FABRIC							
	250 cm	300 cm	350 cm	400 cm	450 cm	500 cm	550 cm	600 cm	650 cm	700 cm	750 cm	800 cm
200 cm	€ 8.950	€ 9.327	€ 9.846	€ 10.375	€ 12.445	€ 13.091	€ 14.037	€ 15.048	€ 16.126	€ 16.236	€ 17.304	€ 17.384
250 cm	€ 9.370	€ 9.936	€ 10.443	€ 10.833	€ 13.633	€ 14.324	€ 15.281	€ 16.284	€ 17.412	€ 17.486	€ 18.569	€ 18.649
300 cm	€ 10.029	€ 10.659	€ 11.316	€ 11.772	€ 14.075	€ 14.797	€ 15.747	€ 16.778	€ 17.906	€ 17.982	€ 19.091	€ 19.174
350 cm	€ 10.638	€ 11.100	€ 11.774	€ 12.421	€ 15.110	€ 15.937	€ 16.981	€ 18.053	€ 19.274	€ 19.419	€ 20.620	€ 20.771
400 cm	€ 11.158	€ 11.636	€ 12.317	€ 12.893	€ 15.422	€ 16.282	€ 17.310	€ 18.383	€ 19.617	€ 19.763	€ 20.979	€ 21.131
450 cm	€ 11.784	€ 12.281	€ 12.903	€ 13.479	€ 16.064	€ 16.937	€ 17.966	€ 19.042	€ 20.302	€ 20.450	€ 21.692	€ 21.846
500 cm	€ 12.245	€ 12.757	€ 13.389	€ 13.766	€ 16.208	€ 17.088	€ 18.119	€ 19.195	€ 20.470	€ 20.619	€ 21.875	€ 22.029
550 cm	€ 12.965	€ 13.725	€ 14.423	€ 14.762	€ 17.161	€ 18.085	€ 19.118	€ 20.196	€ 21.497	€ 21.648	€ 22.931	€ 23.087
600 cm	€ 13.094	€ 13.847	€ 14.543	€ 15.385	€ 17.298	€ 18.231	€ 19.264	€ 20.344	€ 21.659	€ 21.811	€ 23.107	€ 23.264
650 cm	€ 14.052	€ 14.848	€ 15.581	€ 16.108								
700 cm	€ 14.172	€ 14.962	€ 15.688	€ 16.468								
750 cm	€ 15.069	€ 15.864	€ 16.598	€ 17.527								
800 cm	€ 15.412	€ 16.253	€ 17.031	€ 17.832								
FS5-A	€ 40	€ 51	€ 60	€ 68	€ 79	€ 88	€ 98	€ 107	€ 118	€ 126	€ 137	€ 146

FS9 (Side Beam Al.- 50x150mm)	FS9-2 (Side Beam Al.- 100x150mm)	FS9-3 (Side Beam Al.- 150x150mm)
€ 221	€ 174	€ 231
€ 267	€ 204	€ 268
€ 313	€ 233	€ 306
€ 358	€ 263	€ 343
€ 404	€ 292	€ 380
€ 449	€ 322	€ 418
€ 495	€ 352	€ 455
€ 541	€ 381	€ 493
€ 586	€ 411	€ 530
€ 632	€ 440	€ 567
€ 678	€ 470	€ 605
€ 723	€ 500	€ 642
€ 769	€ 529	€ 680

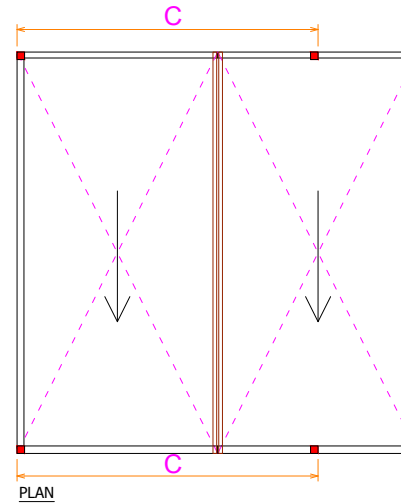
FS5-A	Additional Fabric Support Profile (Standard)	LED TYPE & MODULE		
FS8	Lighting System	FS8		
FS9	Side Beam Al.-50x150mm	FS8-S	SPOT	
FS9-2	Side Beam Al.-100x150mm	FS8-L	LINEAR	
FS9-3	Side Beam Al.-150x150mm	FS8-LR	LINEAR (RGB)	
		2 LED	3 LED	4 LED
		€ 151	€ 183	€ 216
		€ 216	€ 280	
		€ 274	€ 356	

Notes:

- Any Side Beam is not included in the price.
- FS Flexy Plain/3D or Stam 6002 is included in the price.
- Motor and Remote control is included in the price.
- Palmiye Aluminium Coating Catalogue includes the standard colours with no extra cost. For any other type/brand/color of paint, price difference and additional delivery duration shall be checked from your customer representative.
- Standard fabric support profile plastic colours are specified in Palmiye Aluminium Coating Catalogue.
- RGB colours only applicable in linear lighting option.

OPTIONS

FS10	Extra pillar (100x100mm Al.)	€ 500	pcs
FS15	Side beam pillar (50x100mm - Al)	€ 259	pcs
FS15-B	Side beam pillar (100x100mm - Al)	€ 500	pcs
FS19	Fix louver	€ 68	lm
FS24	W96 Ceiling Cover	€ 76	m ²
FS251	Fabric support profile special color	€ 16	m ²
FS29-1	Sun Sensor (SUNIS) (for single motor)	€ 553	pcs
FS29-2	Wind Sensor (EOLIS RTS) (for single motor)	€ 259	pcs
FS29-3	Sun and Wind Sensor (SOLIRIS RTS) (for single motor)	€ 293	pcs
FS29-42	Rain Sensor (ONDEIS) (for single motor)	€ 509	pcs
FS30	CONNEXOON	€ 479	pcs
BP4	Perimeter LED	€ 73	lm
BP4-RGB	Perimeter RGB LED	€ 80	lm
BP5-B	Extra Pillar (150x150x3 mm - Al)	€ 368	set
BP14-P1	Hidden Anchorage set for Plus - Prestige (with drainage)	€ 102	set
BP14-P2	Hidden Anchorage set for Plus - Prestige (without drainage)	€ 52	set

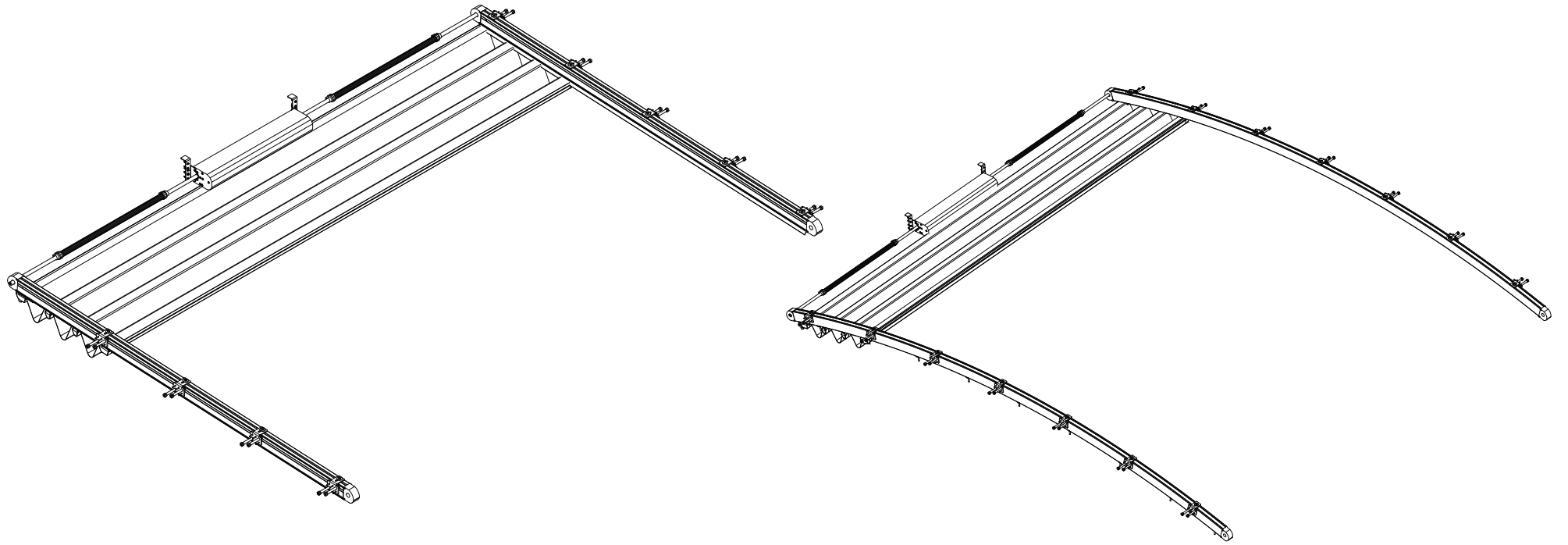


In double fabric type, C dimension can be maximum 6m without any support pillar.

The pergola height can be max. 350cm

Notes:

1. Fabric support profiles can be painted in the same color as the general construction. No fee is paid for this process. However, the plastic color should be specified from our standard plastic colours in Palmiye Color Chart.
2. For one product, a dry contact transmitter costing 337€, must be added.
3. Up to 5 products, a RS485 Automation interface dry contact transmitter costing 1027€, must be added.
4. Not possible to mount the gutter profile on top of a steel construction.
5. Module combination can not be made.



LEGEND

PRODUCT FORMS

- Legend Flat



- Legend Rounded



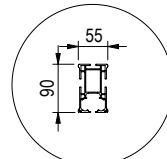
LEGEND

Flat



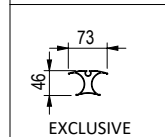
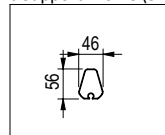
MAXIMUM DIMENSIONS

	WIDTH	PROJECTION
2 RAILS	450 cm	1000 cm
3 RAILS	900 cm	1000 cm
4 RAILS	1300 cm	700 cm



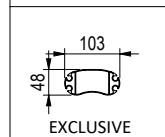
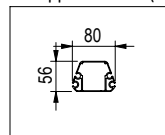
ALM.PRF.P1004
Rail

ALM.PRF.P1002
Fabric Support Profile (Single)

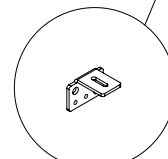


ALM.PRF.G1101
Fabric Support Profile (Single)

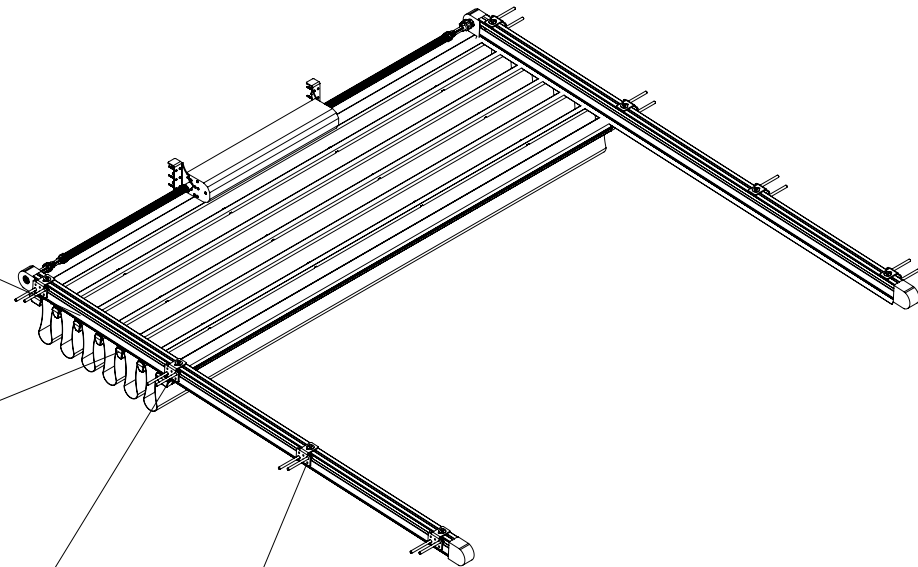
ALM.PRF.P1001
Fabric Support Profile (Double)



ALM.PRF.G1102
Fabric Support Profile (Double)

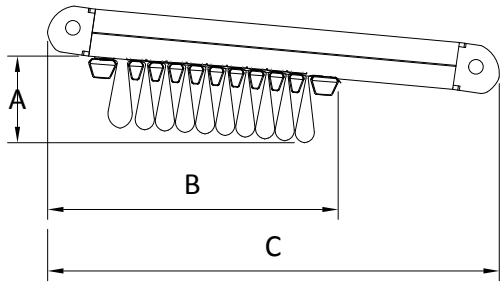


DMR.APR.P1037
Hanging Apparatus



TECHNICAL FEATURES

COLLECTED FABRIC DIMENSIONS

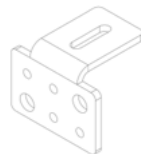


TILTED VERSION

Projection cm

No of Fabric Support Profiles	185	235	284	334	383	433	482	532	581	631	680	729	779	828	878	927	977	C
4	34																	61
5	35																	68
6	36																	74
7	37																	81
8	38																	87
9	39																	94
10	40																	100
11	41																	107
12	42																	113
14	44																	126
15	45																	133
16	46																	139
17	47																	146
18	48																	152
19	49																	159
20	50																	165
21	51																	172

*Calculated according to a slope of 15%



- Number of wall bracket calculation: Projection /150cm.
- Legend model can be flat or inclined.

MINIMUM SLOPE CHART

Slope	6,4-7,9%	7,4-8,8%	8,4-9,7%	9,4-10,8%	10,4-12%	11,2-12,7%	12-13,4%	13-14,5%	14-15,7%	15-16,6%	16-17,6%
Rail Center											
	200	225	250	275	300	325	350	375	400	425	450
250	16	19	21	24	26	28	30	33	35	38	40
300	20	23	26	29	31	34	37	40	42	45	48
350	23	27	30	34	37	40	43	46	49	53	56
400	27	31	35	39	42	46	49	53	57	61	64
450	32	36	40	44	48	52	56	60	64	69	73
500	36	41	45	50	54	59	63	68	72	77	81
550	40	45	50	55	60	65	70	75	80	85	90
600	44	50	55	61	66	72	77	83	88	94	99
650	49	55	61	67	72	78	84	90	96	102	108
700	54	60	66	73	79	85	91	98	104	111	117
750	59	66	72	79	85	92	99	106	112	119	126
800	63	70	77	85	92	99	106	114	121	129	136
850	67	75	82	91	99	106	113	122	130	138	146
900	71	79	87	97	106	113	120	130	139	148	156
950	75	84	92	103	113	120	127	138	148	157	166
1000	79	88	97	109	120	127	134	146	157	167	176

*Note: Max. slope can be up to 25%

LEGEND Flat



Projection	Width																				FS4-SP	FS21	FS33		
	2 RAILS					3 RAILS									4 RAILS										
	250 cm	300 cm	350 cm	400 cm	450 cm	500 cm	550 cm	600 cm	650 cm	700 cm	750 cm	800 cm	850 cm	900 cm	950 cm	1000 cm	1050 cm	1100 cm	1150 cm	1200 cm	1250 cm	1300 cm			
200 cm	€ 3.976	€ 4.173	€ 4.449	€ 4.731	€ 4.927	€ 5.798	€ 5.990	€ 6.182	€ 6.547	€ 6.708	€ 6.843	€ 7.032	€ 7.222	€ 7.415	€ 8.375	€ 8.562	€ 8.753	€ 8.943	€ 9.134	€ 9.282	€ 9.535	€ 9.830	€ 1.532	€ 362	€ 131
250 cm	€ 4.141	€ 4.443	€ 4.712	€ 4.915	€ 5.118	€ 6.072	€ 6.376	€ 6.573	€ 6.842	€ 7.009	€ 7.150	€ 7.452	€ 7.754	€ 7.844	€ 8.774	€ 8.969	€ 9.270	€ 9.466	€ 9.663	€ 9.816	€ 10.079	€ 10.378	€ 1.643	€ 451	€ 159
300 cm	€ 4.439	€ 4.777	€ 5.081	€ 5.319	€ 5.557	€ 6.634	€ 6.974	€ 7.209	€ 7.513	€ 7.713	€ 7.891	€ 8.227	€ 8.567	€ 8.696	€ 9.723	€ 9.956	€ 10.293	€ 10.524	€ 10.760	€ 10.941	€ 11.239	€ 11.574	€ 1.755	€ 543	€ 191
350 cm	€ 4.709	€ 4.953	€ 5.264	€ 5.608	€ 5.852	€ 7.020	€ 7.264	€ 7.608	€ 7.922	€ 8.124	€ 8.310	€ 8.655	€ 9.005	€ 9.138	€ 10.341	€ 10.582	€ 10.823	€ 11.061	€ 11.404	€ 11.592	€ 11.898	€ 12.137	€ 1.868	€ 632	€ 223
400 cm	€ 4.880	€ 5.132	€ 5.448	€ 5.798	€ 6.050	€ 7.303	€ 7.553	€ 7.905	€ 8.223	€ 8.433	€ 8.627	€ 8.977	€ 9.331	€ 9.474	€ 10.753	€ 10.999	€ 11.248	€ 11.493	€ 11.843	€ 12.038	€ 12.349	€ 12.594	€ 1.980	€ 723	€ 254
450 cm	€ 5.056	€ 5.314	€ 5.639	€ 5.995	€ 6.253	€ 7.593	€ 7.851	€ 8.211	€ 8.535	€ 8.753	€ 8.953	€ 9.309	€ 9.670	€ 9.819	€ 11.176	€ 11.429	€ 11.683	€ 11.936	€ 12.294	€ 12.491	€ 12.811	€ 13.063	€ 2.092	€ 813	€ 286
500 cm	€ 5.230	€ 5.494	€ 5.824	€ 6.189	€ 6.453	€ 7.879	€ 8.143	€ 8.509	€ 8.842	€ 9.063	€ 9.271	€ 9.635	€ 10.003	€ 10.159	€ 11.591	€ 11.852	€ 12.112	€ 12.371	€ 12.736	€ 12.939	€ 13.265	€ 13.525	€ 2.205	€ 904	€ 318
550 cm	€ 5.534	€ 5.934	€ 6.298	€ 6.697	€ 6.997	€ 8.556	€ 8.959	€ 9.258	€ 9.733	€ 9.987	€ 10.229	€ 10.630	€ 11.035	€ 11.330	€ 12.745	€ 13.057	€ 13.459	€ 13.754	€ 14.153	€ 14.387	€ 14.748	€ 15.147	€ 2.317	€ 994	€ 350
600 cm	€ 5.712	€ 6.118	€ 6.491	€ 6.897	€ 7.201	€ 8.847	€ 9.260	€ 9.566	€ 10.045	€ 10.305	€ 10.554	€ 10.962	€ 11.375	€ 11.677	€ 13.183	€ 13.487	€ 13.895	€ 14.198	€ 14.605	€ 14.842	€ 15.211	€ 15.618	€ 2.430	€ 1.085	€ 382
650 cm	€ 5.886	€ 6.299	€ 6.677	€ 7.089	€ 7.404	€ 9.135	€ 9.555	€ 9.867	€ 10.354	€ 10.575	€ 10.827	€ 11.242	€ 11.655	€ 11.967	€ 13.602	€ 13.913	€ 14.275	€ 14.637	€ 15.052	€ 15.294	€ 15.669	€ 16.083	€ 2.542	€ 1.175	€ 413
700 cm	€ 6.060	€ 6.479	€ 6.865	€ 7.284	€ 7.604	€ 9.423	€ 9.847	€ 10.169	€ 10.663	€ 10.885	€ 11.148	€ 11.569	€ 11.994	€ 12.307	€ 14.021	€ 14.337	€ 14.758	€ 15.077	€ 15.499	€ 15.745	€ 16.129	€ 16.549	€ 2.655	€ 1.264	€ 445
750 cm	€ 6.235	€ 6.660	€ 7.052	€ 7.478	€ 7.803	€ 9.710	€ 10.142	€ 10.469	€ 10.971	€ 11.199	€ 11.466	€ 11.893	€ 12.324	€ 12.646	€ 14.439	€ 14.763	€ 15.192	€ 15.516	€ 15.944	€ 16.196	€ 16.588		€ 2.767	€ 1.355	€ 477
800 cm	€ 6.540	€ 7.001	€ 7.427	€ 7.888	€ 8.249	€ 10.283	€ 10.752	€ 11.114	€ 11.652	€ 11.912	€ 12.216	€ 12.678	€ 13.144	€ 13.505	€ 15.404	€ 15.763	€ 16.227	€ 16.588	€ 17.053	€ 17.336			€ 2.880	€ 1.445	€ 509
850 cm	€ 6.845	€ 7.342	€ 7.802	€ 8.298	€ 8.696	€ 10.855	€ 11.362	€ 11.760	€ 12.334	€ 12.623	€ 12.964	€ 13.463	€ 13.962	€ 14.363	€ 16.369	€ 16.762	€ 17.264	€ 17.660	€ 18.162				€ 2.995		€ 541
900 cm	€ 7.150	€ 7.684	€ 8.177	€ 8.708	€ 9.142	€ 11.428	€ 11.972	€ 12.405	€ 13.015	€ 13.336	€ 13.714	€ 14.247	€ 14.783	€ 15.221	€ 17.332	€ 17.763	€ 18.301	€ 18.730					€ 3.113		€ 572
950 cm	€ 7.456	€ 8.023	€ 8.552	€ 9.119	€ 9.587	€ 12.001	€ 12.582	€ 13.052	€ 13.695	€ 14.047	€ 14.464	€ 15.032	€ 15.602	€ 16.080	€ 18.297	€ 18.761	€ 19.337						€ 3.228		€ 604
1000 cm	€ 7.760	€ 8.364	€ 8.926	€ 9.530	€ 10.033	€ 12.574	€ 13.192	€ 13.697	€ 14.378	€ 14.760	€ 15.212	€ 15.816	€ 16.423	€ 16.939	€ 19.261	€ 19.761							€ 3.346		€ 636

FS3	€ 219	€ 230	€ 251	€ 276	€ 298	€ 321	€ 344	€ 367	€ 390	€ 413	€ 530	€ 553	€ 576	€ 599	€ 623	€ 646	€ 669	€ 692	€ 715	€ 737	€ 760	€ 783
FS5-A	€ 40	€ 51	€ 60	€ 68	€ 79	€ 88	€ 98	€ 107	€ 118	€ 126	€ 137	€ 146	€ 156	€ 165	€ 176	€ 184	€ 195	€ 204	€ 214	€ 223	€ 234	€ 242
FS5-E	€ 56	€ 70	€ 82	€ 94	€ 109	€ 121	€ 135	€ 147	€ 162	€ 174	€ 189	€ 201	€ 215	€ 227	€ 242	€ 254	€ 268	€ 280	€ 295	€ 307	€ 322	€ 334
FS22	€ 169	€ 197	€ 225	€ 251	€ 279	€ 307	€ 335	€ 363	€ 390	€ 418	€ 446	€ 474	€ 502	€ 528	€ 557	€ 585	€ 613	€ 641	€ 667	€ 695	€ 723	€ 751

FS3	Gutter System
FS5-A	Additional Fabric Support Profile (Standard)
FS5-E	Additional Fabric Support Profile (3 Axis)
FS4-SP	Additional Rail for Legend Series- AL - 55x90mm
FS8	Lighting System
FS33	Z profile

FS8	
FS8-S	SPOT
FS8-L	LINEAR
FS8-E	3 AXIS ⁸
FS8-LR	LINEAR (RGB)
FS8-ER	3 AXIS (RGB) ⁸

LED TYPE & MODULE		
2 LED	3 LED	4 LED
€ 146	€ 177	€ 216
€ 208	€ 270	
€ 239	€ 311	
€ 264	€ 343	
€ 303	€ 394	

Notes:

1. FS Flexy Plain/3D or Stam 6002 is included in the price.
2. Motor and Remote control is included in the price.
3. Palmiye Aluminium Coating Catalogue includes the standard colours with no extra cost. For any other type/brand/color of paint, price difference and additional delivery duration shall be checked from your customer representative.
4. Standard fabric support profile plastic colours are specified in Palmiye Aluminium Coating Catalogue.
5. If the fabric trapezium is chosen, its max. width should be 900 cm.
6. Turquoise lines defines trapezium product dimension range for outdoor areas.
7. Standard wall brackets are included in the price. Any other special designed wall brackets will be priced additionally.
8. 3 AXIS lights available only at exclusive fabric option.

DEDUCTIONS

Price deduction is applicable only for front & back pillars and side beam. Deduction amount shall be consider as 70% of related option price.

OPTIONS

FS11	Deco ceiling cover	€ 86	m ²
FS13-A	Wavy ceiling cover (Only in flat systems, with flexy fabric, up to 350 cm width)	€ 66	m ²
FS24	W96 Ceiling Cover	€ 34	m ²
FS26	Exclusive fabric difference (up to 800 cm width)	€ 76	m ²
FS27	3 Axis lighting fabric support profile difference	€ 13	m ²
FS28-1	Stainless steel chain - 100 cm	€ 72	1m
FS28-2	Stainless steel chain - 200 cm	€ 140	2m
FS28-3	Stainless steel chain - 300 cm	€ 204	3m
FS28-4	Stainless steel chain - 400 cm	€ 272	4m
FS29-1	Sun Sensor (SUNIS) (for single motor)	€ 567	pcs
FS29-1S	Sun Sensor (SUNIS) (for synchronized motor)	€ 903	pcs
FS29-2	Wind Sensor (EOLIS RTS) (for single motor)	€ 267	pcs
FS29-2S	Wind Sensor (EOLIS RTS) (for synchronized motor)	€ 600	pcs
FS29-3	Sun and Wind Sensor (SOLIRIS RTS) (for single motor)	€ 302	pcs
FS29-3S	Sun and Wind Sensor (SOLIRIS RTS) (for synchronized motor)	€ 635	pcs
FS29-4 ^{2/3}	Rain Sensor (ONDEIS) (for single motor)	€ 524	pcs
FS29-4S ^{2/3}	Rain Sensor (ONDEIS) (for synchronized motor)	€ 856	pcs
FS30	CONNEXOON	€ 479	pcs

Notes:

1. Fabric support profiles can be painted in the same color as the general construction. No fee is paid for this process. However, the plastic color should be specified from our standard plastic colours in Palmiye Color Chart.
2. For one product, a dry contact transmitter costing 337€, must be added.
3. Up to 5 products, a RS485 Automation interface dry contact transmitter costing 1027€, must be added.
4. Exclusive fabric option can only be selected together with 3 axis fabric support profile. Price difference for 3 axis fabric profile should be added.

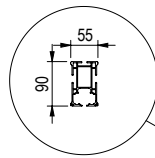
LEGEND

Rounded



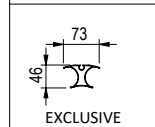
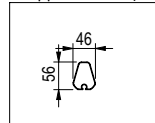
MAXIMUM DIMENSIONS

	WIDTH	PROJECTION
2 RAILS	400 cm	800 cm
3 RAILS	800 cm	800 cm
4 RAILS	1200 cm	800 cm
4 RAILS	1300 cm	800 cm



ALM.PRF.P1004
Rail

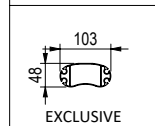
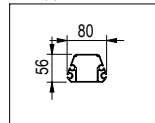
ALM.PRF.P1002
Fabric Support Profile (Single)



EXCLUSIVE
ALM.PRF.G1101

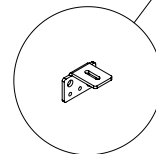
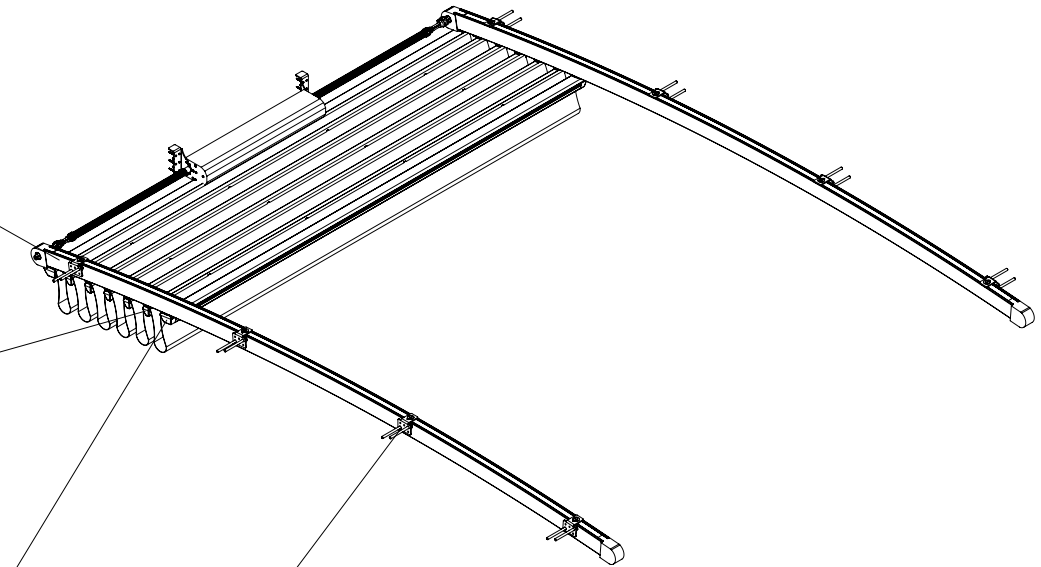
Fabric Support Profile (Single)

ALM.PRF.P1001
Fabric Support Profile (Double)



EXCLUSIVE
ALM.PRF.G1102

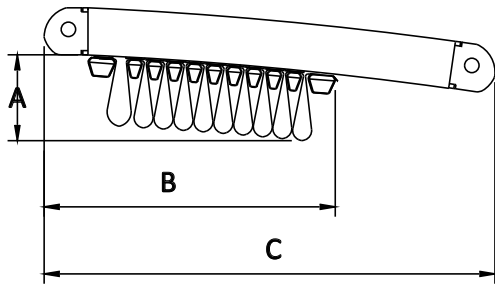
Fabric Support Profile (Double)



DMR.APR.P1037
Hanging Apparatus

TECHNICAL FEATURES

COLLECTED FABRIC DIMENSIONS



TILTED VERSION

Projection cm

No of Fabric Support Profiles	200	250	300	350	400	450	500	550	600	650	700	750	800	C
5	30													68
6		31												74
7			32											81
9				34										94
10					35									100
11						36								107
13							38							120
14								39						127
15									40					133
17										42				146
18											43			152
19												44		159
21													46	172



*Calculated according to a slope of 15%

Number of wall bracket calculation: Projection /150cm.



LEGEND Rounded

Width
Projection

	2 RAILS				3 RAILS								4 RAILS								5 RAILS		FS4-SP
	250 cm	300 cm	350 cm	400 cm	450 cm	500 cm	550 cm	600 cm	650 cm	700 cm	750 cm	800 cm	850 cm	900 cm	950 cm	1000 cm	1050 cm	1100 cm	1150 cm	1200 cm	1250 cm	1300 cm	
200 cm	€ 5.302	€ 5.563	€ 5.932	€ 6.308	€ 6.568	€ 7.730	€ 7.986	€ 8.242	€ 8.728	€ 8.943	€ 9.123	€ 9.375	€ 9.630	€ 9.884	€ 11.165	€ 11.417	€ 11.670	€ 11.924	€ 12.177	€ 12.374	€ 12.713	€ 13.106	€ 1.532
250 cm	€ 5.520	€ 5.924	€ 6.282	€ 6.554	€ 6.823	€ 8.095	€ 8.501	€ 8.765	€ 9.121	€ 9.344	€ 9.532	€ 9.934	€ 10.338	€ 10.459	€ 11.699	€ 11.958	€ 12.362	€ 12.621	€ 12.883	€ 13.087	€ 13.439	€ 13.838	€ 1.643
300 cm	€ 5.919	€ 6.370	€ 6.773	€ 7.092	€ 7.409	€ 8.846	€ 9.299	€ 9.611	€ 10.016	€ 10.284	€ 10.521	€ 10.970	€ 11.422	€ 11.595	€ 12.964	€ 13.272	€ 13.726	€ 14.032	€ 14.345	€ 14.587	€ 14.985	€ 15.432	€ 1.755
350 cm	€ 6.279	€ 6.604	€ 7.018	€ 7.477	€ 7.801	€ 9.360	€ 9.684	€ 10.144	€ 10.562	€ 10.834	€ 11.079	€ 11.540	€ 12.008	€ 12.182	€ 13.789	€ 14.108	€ 14.429	€ 14.746	€ 15.204	€ 15.457	€ 15.863	€ 16.180	€ 1.868
400 cm	€ 6.506	€ 6.841	€ 7.264	€ 7.731	€ 8.066	€ 9.736	€ 10.071	€ 10.540	€ 10.963	€ 11.245	€ 11.501	€ 11.968	€ 12.439	€ 12.631	€ 14.336	€ 14.666	€ 14.997	€ 15.323	€ 15.791	€ 16.048	€ 16.465	€ 16.793	€ 1.980
450 cm	€ 6.742	€ 7.085	€ 7.516	€ 7.995	€ 8.338	€ 10.125	€ 10.468	€ 10.946	€ 11.380	€ 11.670	€ 11.936	€ 12.412	€ 12.893	€ 13.092	€ 14.900	€ 15.240	€ 15.577	€ 15.915	€ 16.391	€ 16.655	€ 17.080	€ 17.416	€ 2.092
500 cm	€ 6.971	€ 7.325	€ 7.766	€ 8.253	€ 8.604	€ 10.505	€ 10.855	€ 11.344	€ 11.789	€ 12.085	€ 12.359	€ 12.847	€ 13.338	€ 13.544	€ 15.454	€ 15.801	€ 16.150	€ 16.494	€ 16.981	€ 17.252	€ 17.687	€ 18.034	€ 2.205
550 cm	€ 7.380	€ 7.911	€ 8.398	€ 8.929	€ 9.327	€ 11.407	€ 11.947	€ 12.345	€ 12.976	€ 13.315	€ 13.638	€ 14.174	€ 14.714	€ 15.108	€ 16.991	€ 17.407	€ 17.944	€ 18.338	€ 18.871	€ 19.181	€ 19.662	€ 20.197	€ 2.317
600 cm	€ 7.617	€ 8.157	€ 8.655	€ 9.195	€ 9.601	€ 11.797	€ 12.346	€ 12.752	€ 13.393	€ 13.738	€ 14.072	€ 14.616	€ 15.165	€ 15.569	€ 17.576	€ 17.981	€ 18.525	€ 18.929	€ 19.471	€ 19.789	€ 20.280	€ 20.822	€ 2.430
650 cm	€ 7.848	€ 8.399	€ 8.903	€ 9.453	€ 9.871	€ 12.180	€ 12.738	€ 13.155	€ 13.806	€ 14.100	€ 14.436	€ 14.989	€ 15.540	€ 15.955	€ 18.135	€ 18.551	€ 19.032	€ 19.516	€ 20.069	€ 20.391	€ 20.893	€ 21.445	€ 2.542
700 cm	€ 8.079	€ 8.638	€ 9.152	€ 9.711	€ 10.137	€ 12.563	€ 13.130	€ 13.558	€ 14.217	€ 14.514	€ 14.862	€ 15.424	€ 15.991	€ 16.408	€ 18.695	€ 19.117	€ 19.678	€ 20.101	€ 20.665	€ 20.993	€ 21.505	€ 22.063	€ 2.655
750 cm	€ 8.313	€ 8.880	€ 9.403	€ 9.970	€ 10.405	€ 12.945	€ 13.522	€ 13.958	€ 14.628	€ 14.931	€ 15.287	€ 15.857	€ 16.431	€ 16.862	€ 19.253	€ 19.685	€ 20.255	€ 20.686	€ 21.257	€ 21.595	€ 22.114		€ 2.767
800 cm	€ 8.720	€ 9.334	€ 9.902	€ 10.518	€ 10.999	€ 13.710	€ 14.334	€ 14.818	€ 15.537	€ 15.882	€ 16.286	€ 16.904	€ 17.524	€ 18.005	€ 20.537	€ 21.017	€ 21.638	€ 22.116	€ 22.735	€ 23.115			€ 2.880

FS3	€ 219	€ 230	€ 251	€ 276	€ 298	€ 321	€ 344	€ 367	€ 390	€ 413	€ 530	€ 553	€ 576	€ 599	€ 623	€ 646	€ 669	€ 692	€ 715	€ 737	€ 760	€ 783
FS5-A	€ 40	€ 51	€ 60	€ 68	€ 79	€ 88	€ 98	€ 107	€ 118	€ 126	€ 137	€ 146	€ 156	€ 165	€ 176	€ 184	€ 195	€ 204	€ 214	€ 223	€ 234	€ 242
FS5-E	€ 56	€ 70	€ 82	€ 94	€ 109	€ 121	€ 135	€ 147	€ 162	€ 174	€ 189	€ 201	€ 215	€ 227	€ 242	€ 254	€ 268	€ 280	€ 295	€ 307	€ 322	€ 334
FS22	€ 169	€ 197	€ 225	€ 251	€ 279	€ 307	€ 335	€ 363	€ 390	€ 418	€ 446	€ 474	€ 502	€ 528	€ 557	€ 585	€ 613	€ 641	€ 667	€ 695	€ 723	€ 751

FS3	Gutter System
FS5-A	Additional Fabric Support Profile (Standard)
FS5-E	Additional Fabric Support Profile (3 Axis)
FS4-SP	Additional Rail for Legend Series- Al.- 55x90mm
FS8	Lighting System
FS22	Fabric Protection Cover

FS8	
FS8-S	SPOT
FS8-L	LINEAR
FS8-E	3 AXIS ⁸
FS8-LR	LINEAR (RGB)
FS8-ER	3 AXIS (RGB) ⁸

LED TYPE & MODULE		
2 LED	3 LED	4 LED
€ 151	€ 183	€ 216
€ 216	€ 280	
€ 248	€ 323	
€ 274	€ 356	
€ 315	€ 409	

Notes:

- FS Flexy Plain/3D or Stam 6002 is included in the price.
- Motor and Remote control is included in the price.
- Palmye Aluminium Coating Catalogue includes the standard colours with no extra cost. For any other type/brand/color of paint, price difference and additional delivery duration shall be checked from your customer representative.
- Standard fabric support profile plastic colours are specified in Palmye Aluminium Coating Catalogue.
- Standard fabric support profile plastic colours are specified in Palmye Aluminium Coating Catalogue.
- Wall brackets are included in the price.
- Standard wall brackets are included in the price. Any other special designed wall brackets will be priced additionally.
- 3 AXIS lights available only at exclusive fabric option.

DEDUCTIONS

Price deduction is applicable only for front & back pillars and side beam. Deduction amount shall be consider as 70% of related option price.

OPTIONS

FS11	Deco ceiling cover	€ 66	m ²
FS13-A	Wavy ceiling cover (for flexy fabric) (up to 350 cm width)	€ 34	m ²
FS24	W96 Ceiling Cover	€ 76	m ²
FS26	Exclusive fabric difference (up to 800 cm width)	€ 45	m ²
FS27	3 Axis lighting fabric support profile difference	€ 13	m ²
FS28-1	Stainless steel chain - 100 cm	€ 72	1m
FS28-2	Stainless steel chain - 200 cm	€ 140	2m
FS28-3	Stainless steel chain - 300 cm	€ 204	3m
FS28-4	Stainless steel chain - 400 cm	€ 272	4m
FS29-1	Sun Sensor (SUNIS) (for single motor)	€ 567	pcs
FS29-1S	Sun Sensor (SUNIS) (for synchronized motor)	€ 903	pcs
FS29-2	Wind Sensor (EOLIS RTS) (for single motor)	€ 267	pcs
FS29-2S	Wind Sensor (EOLIS RTS) (for synchronized motor)	€ 600	pcs
FS29-3	Sun and Wind Sensor (SOLIRIS RTS) (for single motor)	€ 302	pcs
FS29-3S	Sun and Wind Sensor (SOLIRIS RTS) (for synchronized motor)	€ 635	pcs
FS29-4 ^{2/3}	Rain Sensor (ONDEIS) (for single motor)	€ 524	pcs
FS29-4S ^{2/3}	Rain Sensor (ONDEIS) (for synchronized motor)	€ 856	pcs
FS30	CONNEXOON	€ 479	pcs

Notes:

1. Fabric support profiles can be painted in the same color as the general construction. No fee is paid for this process. However, the plastic color should be specified from our standard plastic colours in Palmiye Color Chart.
2. For one product, a dry contact transmitter costing 337€, must be added.
3. Up to 5 products, a RS485 Automation interface dry contact transmitter costing 1027€, must be added.
4. Exclusive fabric option can only be selected together with 3 axis fabric support profile. Price difference for 3 axis fabric profile should be added.



www.palmiye.eu