



BIOCLIMATIC PERGOLA

SKYROOF

PRICE LIST / 2026

MADE FOR OUTDOOR LIFE



**MADE FOR
OUTDOOR
LIFE**

INDEX

02

SKYROOF PRESTIGE

06

SKYROOF PLUS

10

SKYROOF COMPACT

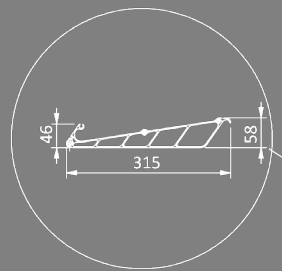
14

SKYROOF PLUS HANGING

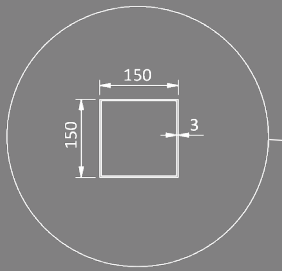
18

SKYROOF COMPACT HANGING

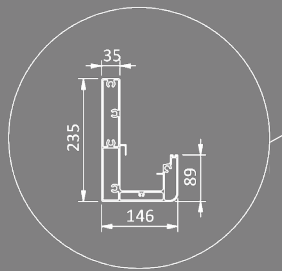
SKYROOF PRESTIGE



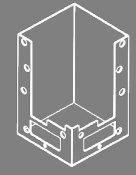
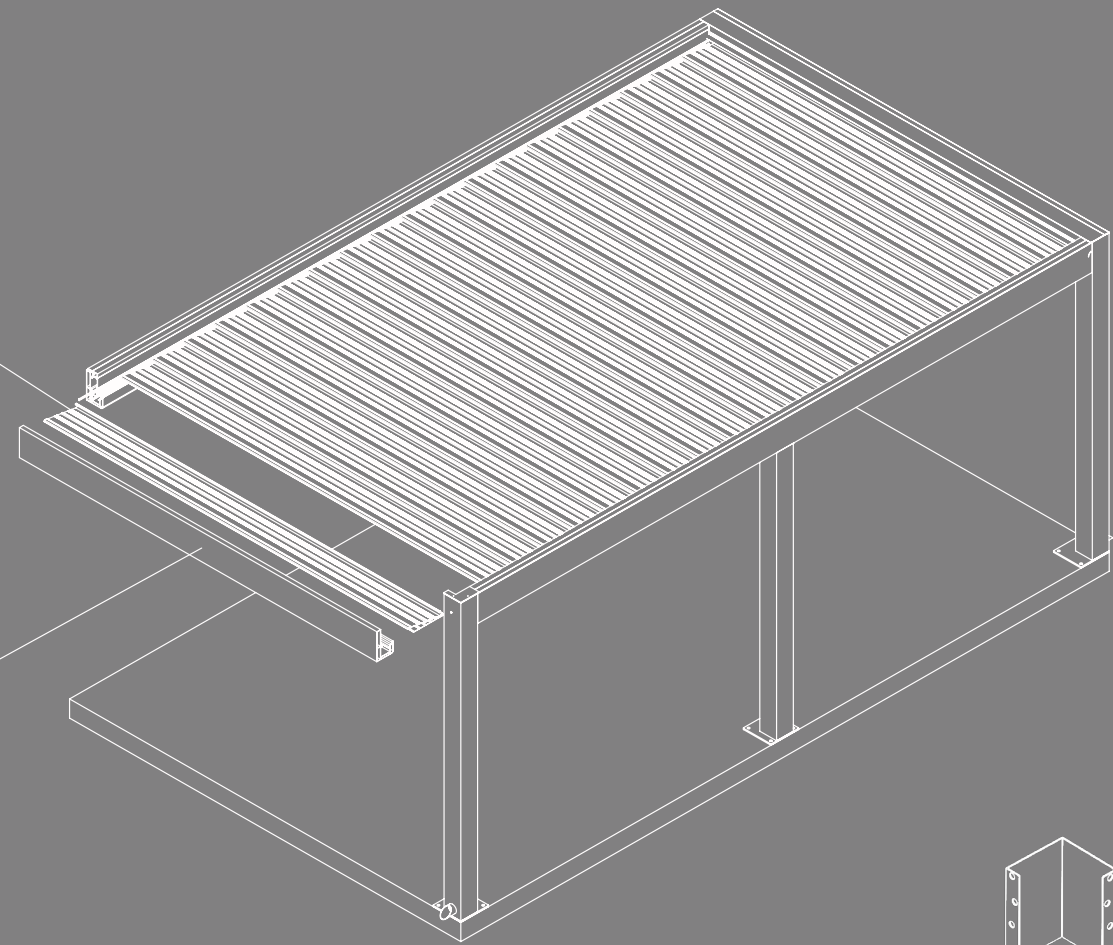
Panel



Pillar



Integrated Beam



Short Pillar

REQUIRED WATER DRAINAGE

NO OF PANEL	PROJECTION		WIDTH (cm)										
			200	225	250	275	300	325	350	375	400	425	450
4	134,3 cm	1	1	1	1	1	1	1	1	1	1	1	1
5	162,15 cm	1	1	1	1	1	1	1	1	1	1	1	1
6	190 cm	1	1	1	1	1	1	1	1	1	1	1	1
7	217,85 cm	1	1	1	1	1	1	1	1	1	1	1	1
8	245,7 cm	1	1	1	1	1	1	1	1	1	1	1	1
9	273,55 cm	1	1	1	1	1	1	1	1	1	1	2	2
10	301,4 cm	1	1	1	1	1	1	1	1	1	2	2	2
11	329,25 cm	1	1	1	1	1	1	1	1	2	2	2	2
12	357,1 cm	1	1	1	1	1	1	1	2	2	2	2	2
13	384,95 cm	1	1	1	1	1	1	2	2	2	2	2	2
14	412,8 cm	1	1	1	1	1	2	2	2	2	2	2	2
15	440,65 cm	1	1	1	1	1	2	2	2	2	2	2	2
16	468,5 cm	1	1	1	1	2	2	2	2	2	2	2	2
17	496,35 cm	1	1	1	1	2	2	2	2	2	2	2	2
18	524,2 cm	1	1	1	2	2	2	2	2	2	2	2	2
19	552,05 cm	1	1	1	2	2	2	2	2	2	2	2	2
20	579,9 cm	1	1	2	2	2	2	2	2	2	2	2	2
21	607,75 cm	1	1	2	2	2	2	2	2	2	2	2	2
22	635,6 cm	1	1	2	2	2	2	2	2	2	2	2	2
23	663,45 cm	1	2	2	2	2	2	2	2	2	2	2	2
24	691,3 cm	1	2	2	2	2	2	2	2	2	2	2	2
25	719,15 cm	2	2	2	2	2	2	2	2	2	2	2	2

WIND RESISTANCE

NO OF PANEL	PROJECTION		WIDTH (cm)											
			200	225	250	275	300	325	350	375	400	425	450	
4	134,3 cm	11	11	11	11	11	11	10	10	9	9	9	9	
5	162,15 cm	11	11	11	11	11	10	10	10	9	9	9	9	
6	190 cm	11	11	11	11	10	10	10	10	9	9	9	9	
7	217,85 cm	11	11	11	10	10	10	10	10	9	9	9	9	
8	245,7 cm	11	11	11	10	10	10	10	10	9	9	9	9	
9	273,55 cm	11	11	11	10	10	10	10	10	9	9	9	9	
10	301,4 cm	11	11	11	10	10	10	10	10	9	9	9	9	
11	329,25 cm	11	11	11	10	10	10	10	10	9	9	9	9	
12	357,1 cm	11	11	11	10	10	10	10	10	9	9	9	9	
13	384,95 cm	11	11	11	10	10	10	10	10	9	9	9	9	
14	412,8 cm	11	11	11	10	10	10	10	10	9	9	9	9	
15	440,65 cm	11	10	10	10	10	10	10	10	9	9	9	9	
16	468,5 cm	10	10	10	10	10	10	10	9	9	9	9	9	
17	496,35 cm	10	10	10	10	10	10	10	9	9	9	9	9	
18	524,2 cm	10	10	10	10	9	9	9	9	9	9	9	9	
19	552,05 cm	10	10	10	9	9	9	9	9	9	9	9	9	
20	579,9 cm	10	10	9	9	9	9	9	9	9	9	9	9	
21	607,75 cm	11	11	11	10	10	10	10	10	9	9	9	9	
22	635,6 cm	11	11	11	10	10	10	10	10	9	9	9	9	
23	663,45 cm	11	11	11	10	10	10	10	10	9	9	9	9	
24	691,3 cm	11	11	10	10	10	10	10	10	9	9	9	9	
25	719,15 cm	11	11	10	10	10	10	10	10	9	9	9	9	

NO OF PANEL	PROJECTION		WIDTH (cm)											
			200	225	250	275	300	325	350	375	400	425	450	
4	134,3 cm	11	11	11	11	11	11	10	10	9	9	9	9	
5	162,15 cm	11	11	11	11	11	10	10	10	10	9	9	9	
6	190 cm	11	11	11	11	10	10	10	10	10	9	9	9	
7	217,85 cm	11	11	11	10	10	10	10	10	10	9	9	9	
8	245,7 cm	11	11	11	10	10	10	10	10	10	9	9	9	
9	273,55 cm	11	11	11	10	10	10	10	10	10	9	9	9	
10	301,4 cm	10	10	10	9	9	9	9	9	9	8	8	8	
11	329,25 cm	10	10	10	9	9	9	9	9	9	8	8	8	
12	357,1 cm	10	10	10	9	9	9	9	9	9	8	8	8	
13	384,95 cm	10	10	10	9	9	9	9	9	9	8	8	8	
14	412,8 cm	10	10	10	9	9	9	9	9	9	8	8	8	
15	440,65 cm	9	9	9	9	9	9	9	9	9	8	8	8	
16	468,5 cm	9	9	9	9	9	9	9	9	9	8	8	8	
17	496,35 cm	9	9	9	9	9	8	8	8	8	8	8	8	
18	524,2 cm	9	9	9	9	8	8	8	8	8	8	8	8	
19	552,05 cm	9	9	9	8	8	8	8	8	8	8	8	8	
20	579,9 cm	8	8	8	8	8	8	8	8	8	8	8	8	
21	607,75 cm	10	10	10	10	9	9	9	9	9	9	9	9	
22	635,6 cm	10	10	10	10	9	9	9	9	9	9	9	9	
23	663,45 cm	10	10	10	10	9	9	9	9	9	9	9	9	
24	691,3 cm	10	10	10	10	9	9	9	9	9	9	9	9	
25	719,15 cm	10	10	10	10	9	9	9	9	9	9	9	9	

*The values are given according to the Beaufort scale.

**Calculated for Products with a front height of 300 cm according to Eurocode EN 1991-1-4 Terrain Category 4.

*** You can ask for new calculations for special designs.

*The values are given according to the Beaufort scale.

**Calculated for Products with a front height of 350 cm according to Eurocode EN 1991-1-4 Terrain Category 4.

*** You can ask for new calculations for special designs.

SNOW LOAD

NO OF PANEL	PROJECTION		WIDTH (cm)	
			200	450
4	134,3	375	280	
20	582,9	90	75	
21	607,75	244	173	
25	719,15	216	120	

* The values are given as kg/m² and are calculated for the units with a height of 300cm and without side closures.

NO OF PANEL	PROJECTION		WIDTH (cm)	
			200	450
4	134,3	350	198	
20	579,9	84	69	
21	607,75	225	131	
25	719,15	204	116	

* The values are given as kg/m² and are calculated for the units with a height of 350cm and without side closures.

SKYROOF PRESTIGE

FREESTANDING

WIDTH (cm)

PANEL	PROJECTION	200 cm	225 cm	250 cm	275 cm	300 cm	325 cm	350 cm	375 cm	400 cm	425 cm	450 cm
4	134,3 cm	€ 8.366	€ 8.587	€ 8.841	€ 9.088	€ 9.293	€ 9.572	€ 9.801	€ 10.040	€ 10.292	€ 10.543	€ 10.795
5	162,15 cm	€ 8.974	€ 9.236	€ 9.523	€ 9.805	€ 10.058	€ 10.362	€ 10.632	€ 10.909	€ 11.194	€ 11.479	€ 11.765
6	190 cm	€ 9.583	€ 9.886	€ 10.205	€ 10.522	€ 10.824	€ 11.152	€ 11.463	€ 11.778	€ 12.097	€ 12.416	€ 12.735
7	217,85 cm	€ 10.191	€ 10.536	€ 10.886	€ 11.239	€ 11.589	€ 11.942	€ 12.294	€ 12.646	€ 13.000	€ 13.354	€ 13.708
8	245,7 cm	€ 10.799	€ 11.185	€ 11.568	€ 11.955	€ 12.356	€ 12.732	€ 13.125	€ 13.515	€ 13.901	€ 14.287	€ 14.673
9	273,55 cm	€ 11.112	€ 11.518	€ 11.911	€ 12.320	€ 12.744	€ 13.131	€ 13.547	€ 13.950	€ 14.360	€ 14.770	€ 15.180
10	301,4 cm	€ 11.728	€ 12.173	€ 12.591	€ 13.040	€ 13.511	€ 13.938	€ 14.388	€ 14.813	€ 15.267	€ 15.722	€ 16.176
11	329,25 cm	€ 12.036	€ 12.507	€ 12.937	€ 13.404	€ 13.900	€ 14.354	€ 14.810	€ 15.249	€ 15.725	€ 16.201	€ 16.676
12	357,1 cm	€ 12.658	€ 13.154	€ 13.619	€ 14.125	€ 14.668	€ 15.170	€ 15.646	€ 16.114	€ 16.634	€ 17.154	€ 17.673
13	384,95 cm	€ 13.276	€ 13.804	€ 14.302	€ 14.853	€ 15.438	€ 15.984	€ 16.484	€ 16.980	€ 17.543	€ 18.106	€ 18.668
14	412,8 cm	€ 13.585	€ 14.133	€ 14.648	€ 15.223	€ 15.829	€ 16.396	€ 16.908	€ 17.419	€ 18.005	€ 18.590	€ 19.176
15	440,65 cm	€ 14.209	€ 14.787	€ 15.338	€ 15.955	€ 16.600	€ 17.212	€ 17.747	€ 18.287	€ 18.915	€ 19.544	€ 20.172
16	468,5 cm	€ 14.520	€ 15.118	€ 15.688	€ 16.326	€ 16.992	€ 17.625	€ 18.174	€ 18.726	€ 19.377	€ 20.028	€ 20.679
17	496,35 cm	€ 15.141	€ 15.772	€ 16.382	€ 17.059	€ 17.765	€ 18.442	€ 19.014	€ 19.595	€ 22.085	€ 23.049	€ 23.818
18	524,2 cm	€ 15.768	€ 16.428	€ 17.078	€ 17.794	€ 18.540	€ 19.260	€ 19.857	€ 22.261	€ 23.000	€ 23.740	€ 24.480
19	552,05 cm	€ 16.080	€ 16.760	€ 17.430	€ 18.168	€ 18.933	€ 19.676	€ 20.284	€ 22.704	€ 23.467	€ 24.230	€ 24.992
20	579,9 cm	€ 16.708	€ 17.416	€ 18.127	€ 18.904	€ 19.710	€ 20.495	€ 22.926	€ 23.578	€ 24.383	€ 25.188	€ 25.994
21	607,75 cm	€ 17.642	€ 18.366	€ 19.097	€ 19.894	€ 20.721	€ 21.529	€ 23.972	€ 24.640	€ 25.469	€ 26.298	€ 27.128
22	635,6 cm	€ 18.270	€ 19.025	€ 19.795	€ 20.632	€ 21.498	€ 24.149	€ 24.820	€ 25.516	€ 26.389	€ 27.261	€ 28.133
23	663,45 cm	€ 18.592	€ 19.360	€ 20.150	€ 21.007	€ 21.895	€ 24.568	€ 25.251	€ 25.962	€ 26.857	€ 27.752	€ 28.647
24	691,3 cm	€ 19.222	€ 20.019	€ 20.850	€ 21.748	€ 24.472	€ 25.393	€ 26.100	€ 26.840	€ 27.779	€ 28.719	€ 29.658
25	719,15 cm	€ 19.851	€ 20.678	€ 21.550	€ 22.490	€ 24.813	€ 26.217	€ 26.949	€ 27.719	€ 28.702	€ 29.685	€ 30.669

BP1-BP	BP2-BP	
Covering	Wall Bracket	
€ 43	€ 112	2 pcs
€ 43	€ 112	
€ 43	€ 112	
€ 43	€ 112	
€ 43	€ 112	
€ 43	€ 168	3 pcs
€ 43	€ 168	
€ 43	€ 168	
€ 43	€ 168	
€ 43	€ 223	4 pcs
€ 43	€ 223	
€ 43	€ 223	
€ 43	€ 223	
€ 86	€ 279	5 pcs
€ 86	€ 279	
€ 86	€ 279	
€ 86	€ 279	
€ 86	€ 279	

BP1-BW	Covering	€ 43	€ 43	€ 43	€ 43	€ 43	€ 43	€ 43	€ 43	€ 43	€ 43	€ 43	
BP2-BW	Wall Bracket	€ 112	€ 112	€ 112	€ 112	€ 112	€ 168	€ 168	€ 168	€ 168	€ 168	€ 168	
Number Of Wall Bracket		2 pcs						3 pcs					

BP1-BW	Wall Covering Profile
BP2-BW	Wall Bracket (Plus & Prestige)
BP1-BP	Wall Covering Profile
BP2-BP	Wall Bracket (Plus & Prestige)

OPTIONS

BP4	Perimeter LED	€ 83	lm
BP4-RGB	Perimeter RGB LED	€ 91	lm
BP4-RGBWW	Perimeter RGBWW LED	€ 104	lm
BP5-B	Extra Pillar (150x150x3 mm - Al)	€ 405	set
BP7	Polyurethan foam	€ 147	m ²
FS19	Fix louver	€ 72	lm
FS29-1	Sun Sensor (SUNIS)	€ 607	pcs
FS29-2	Wind Sensor (EOLIS RTS)	€ 284	pcs
FS29-3	Sun and Wind Sensor (SOLIRIS RTS)	€ 322	pcs
FS29-4⁸	Rain Sensor (ONDEIS)	€ 558	pcs
FS30	CONNEXOON	€ 510	pcs
BP13⁷	Inner aluminium drainage set on steel pillars	€ 273	set
BP14-P1	Hidden Anchorage set for Plus - Prestige (with drainage)	€ 115	set
BP14-P2	Hidden Anchorage set for Plus - Prestige (without drainage)	€ 59	set

STEEL CONSTRUCTION

Beam Group		
150x150x3mm St	€ 433	lm
150x150x5mm St	€ 606	lm
150x150x6mm St	€ 717	lm
150x200x3mm St	€ 506	lm
150x200x5mm St	€ 760	lm
150x200x6mm St	€ 901	lm
150x250x6mm St	€ 1.039	lm
150x250x8mm St	€ 1.420	lm
200x200x6mm St	€ 1.038	lm
200x300x6mm St	€ 1.313	lm
200x300x8mm St	€ 1.786	lm

Pillar Group		
150x150x3mm St	€ 687	set
150x150x5mm St	€ 1.214	set
200x200x6mm St	€ 1.757	set

* For more steel sections, please refer to our component list.

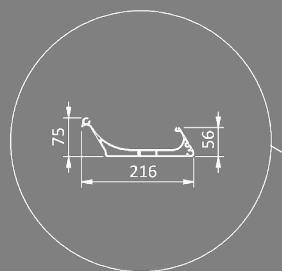
NOTES:

1. If projection is bigger than 579,9cm (20th panel), an additional pillar is required on each side. It is included in the price.
2. For wall installations, 3 cm must be added to the projection size.
3. For ceiling installations, 16 cm must be added to the projection size.
4. Palmiye Aluminium Coating Catalogue includes the standard colours with no extra cost. For any other type/brand/color of paint, price difference and additional delivery duration shall be checked from your customer representative.
5. Support pillar deduction can apply only when supported by wall bracket or steel application.
6. If rain sensor is needed; For single product, a Dry contact transmitter which costs 356€, must be added to the price. For up to 5 products, a RS485 Automation interface Dry contact transmitter which costs 1087€ must be added to the price.
7. Water outlets can be optionally given through the steel pillars.
8. The corner pillars can be moved max. 50cm.
9. For wall installed products, a wall bracket is required in every 150cm.

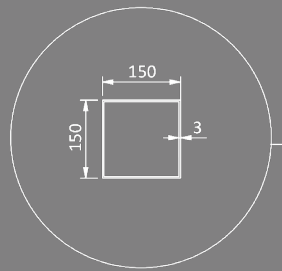
DEDUCTION

1. Deduction to short pillar -€51
2. Support pillar deduction cost is -€397

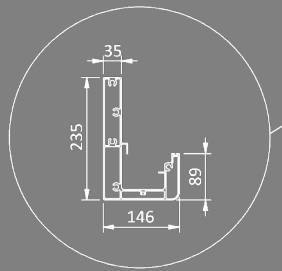
SKYROOF PLUS



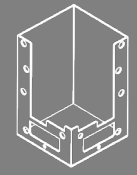
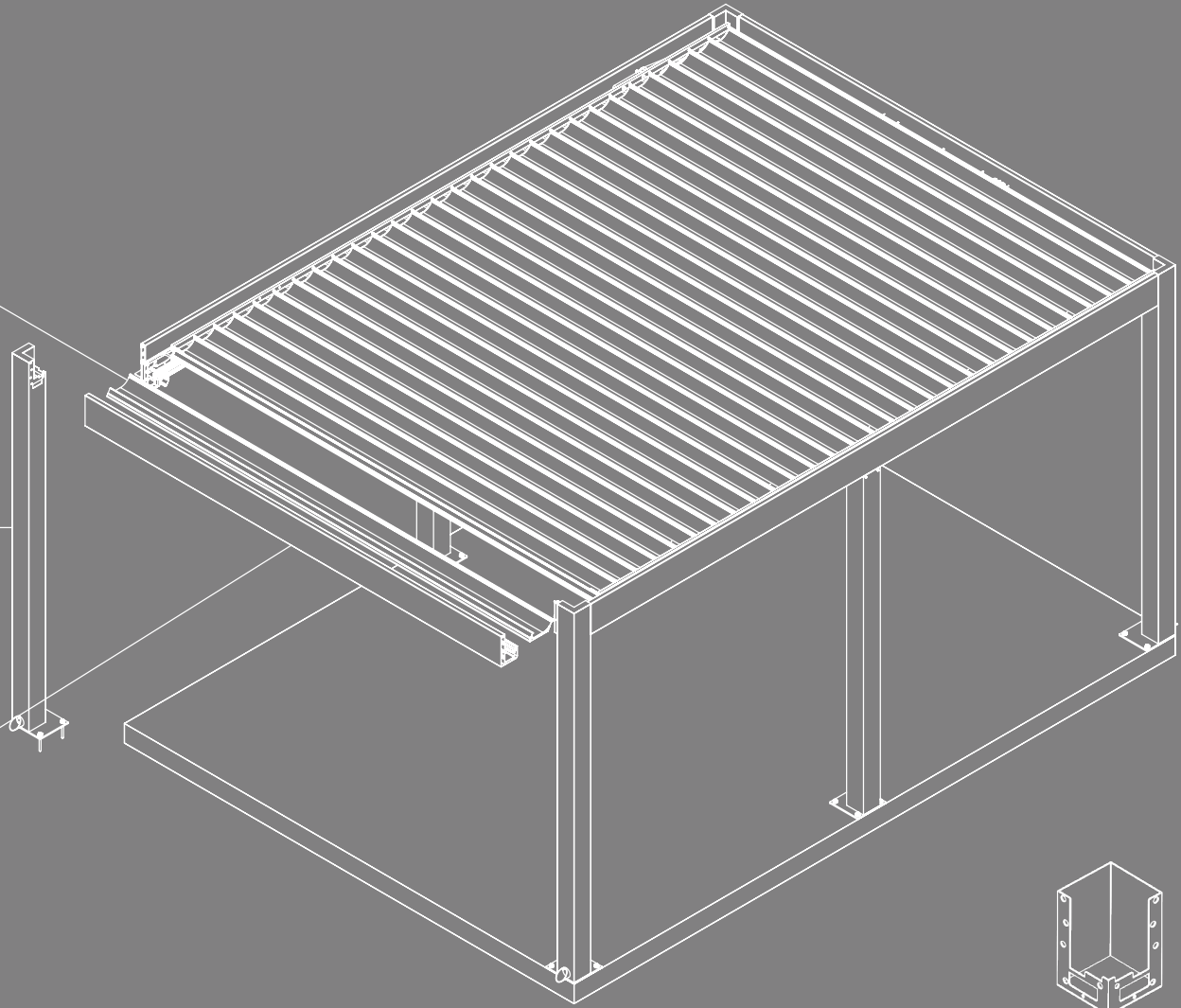
Panel



Pillar



Integrated Beam



Short pillar

REQUIRED WATER DRAINAGE

NO OF PANEL	PROJECTION		WIDTH (cm)																		
			200	225	250	275	300	325	350	375	400	425	450								
11	218,2 cm		1	1	1	1	1	1	1	1	1	1	1	1	1	1	1	1	1	1	1
12	235,8 cm		1	1	1	1	1	1	1	1	1	1	1	1	1	1	1	1	1	1	1
13	253,4 cm		1	1	1	1	1	1	1	1	1	1	1	1	1	1	1	1	1	1	1
14	271,0 cm		1	1	1	1	1	1	1	1	1	1	1	1	1	1	1	1	1	1	1
15	288,6 cm		1	1	1	1	1	1	1	1	1	1	1	1	1	1	1	1	1	1	1
16	306,2 cm		1	1	1	1	1	1	1	1	1	1	1	1	1	1	1	1	1	2	2
17	323,8 cm		1	1	1	1	1	1	1	1	1	1	1	1	1	1	1	2	2	2	2
18	341,4 cm		1	1	1	1	1	1	1	1	1	1	1	1	1	1	2	2	2	2	2
19	359,0 cm		1	1	1	1	1	1	1	1	1	1	1	1	1	2	2	2	2	2	2
20	376,6 cm		1	1	1	1	1	1	1	1	1	1	1	1	2	2	2	2	2	2	2
21	394,2 cm		1	1	1	1	1	1	1	1	2	2	2	2	2	2	2	2	2	2	2
22	411,8 cm		1	1	1	1	1	1	1	1	2	2	2	2	2	2	2	2	2	2	2
23	429,4 cm		1	1	1	1	1	1	1	2	2	2	2	2	2	2	2	2	2	2	2
24	447,0 cm		1	1	1	1	1	1	1	2	2	2	2	2	2	2	2	2	2	2	2
25	464,6 cm		1	1	1	1	1	2	2	2	2	2	2	2	2	2	2	2	2	2	2
26	482,2 cm		1	1	1	1	2	2	2	2	2	2	2	2	2	2	2	2	2	2	2
27	499,8 cm		1	1	1	2	2	2	2	2	2	2	2	2	2	2	2	2	2	2	2
28	517,4 cm		1	1	1	2	2	2	2	2	2	2	2	2	2	2	2	2	2	2	2
29	535,0 cm		1	1	1	2	2	2	2	2	2	2	2	2	2	2	2	2	2	2	2
30	552,6 cm		1	1	2	2	2	2	2	2	2	2	2	2	2	2	2	2	2	2	2
31	570,2 cm		1	1	2	2	2	2	2	2	2	2	2	2	2	2	2	2	2	2	2
32	587,8 cm		1	1	2	2	2	2	2	2	2	2	2	2	2	2	2	2	2	2	2
33	605,4 cm		1	2	2	2	2	2	2	2	2	2	2	2	2	2	2	2	3	3	3
34	623,0 cm		1	2	2	2	2	2	2	2	2	2	2	2	2	2	2	2	3	3	3
35	640,6 cm		1	2	2	2	2	2	2	2	2	2	2	2	2	2	2	3	3	3	3
36	658,2 cm		1	2	2	2	2	2	2	2	2	2	2	2	2	2	2	3	3	3	3
37	675,8 cm		1	2	2	2	2	2	2	2	2	2	2	2	2	2	2	3	3	3	3
38	693,4 cm		2	2	2	2	2	2	2	2	2	2	2	2	2	2	2	3	3	3	3
39	711,0 cm		2	2	2	2	2	2	2	2	2	2	2	2	2	2	2	3	3	3	3
40	728,6 cm		2	2	2	2	2	2	2	2	2	2	2	2	2	2	2	3	3	3	3
41	746,2 cm		2	2	2	2	2	2	2	2	2	2	2	2	2	2	2	3	3	3	3
42	763,8 cm		2	2	2	2	2	2	2	2	2	2	2	2	2	2	2	3	3	3	3
43	781,4 cm		2	2	2	2	2	2	2	2	2	2	2	2	2	2	2	3	3	3	3
44	799,0 cm		2	2	2	2	2	2	2	2	2	2	2	2	2	2	2	3	3	3	3

WIND RESISTANCE

NO OF PANEL	PROJECTION		WIDTH (cm)	
			250	450
8	165,4		11	9
32	587,8		10	9
33	605,4		11	9
44	799		10	9

* The values are given according to the Beaufort scale.
 ** Calculated for Products with a front height of 300 cm according to Eurocode EN 1991-1-4 Terrain Category 4.
 *** You can ask for new calculations for special designs.

SNOW LOAD

NO OF PANEL	PROJECTION		WIDTH (cm)	
			200	450
11	218		336	228
32	588		84	64
33	605		245	151
44	799		219	123

* The values are given as kg/m² and are calculated for the units with a height of 300 cm and without side closures.

NO OF PANEL	PROJECTION		WIDTH (cm)	
			250	450
8	165,4		11	9
32	587,8		9	8
33	605,4		10	9
44	799		10	8

* The values are given according to the Beaufort scale.
 ** Calculated for Products with a front height of 300 cm according to Eurocode EN 1991-1-4 Terrain Category 4.
 *** You can ask for new calculations for special designs.

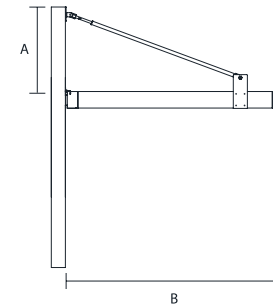
NO OF PANEL	PROJECTION		WIDTH (cm)	
			200	450
11	218		308	204
32	588		79	60
33	605		229	147
44	799		195	120

* The values are given as kg/m² and are calculated for the units with a height of 300 cm and without side closures.

MINIMUM "A" VALUES

For hanging options

B (cm)	150 - 359	359 - 450	> 450
A (cm)	50	100	120



SKYROOF PLUS

PANEL	FREESTANDING												BP1-AP	BP2-BP	
	PROJECTION	WIDTH (cm)													
		200 cm	225 cm	250 cm	275 cm	300 cm	325 cm	350 cm	375 cm	400 cm	425 cm	450 cm			
11	218,2 cm	€ 9.429	€ 9.742	€ 10.059	€ 10.379	€ 10.696	€ 11.014	€ 11.332	€ 11.650	€ 11.967	€ 12.287	€ 12.604	€ 55	€ 112	2 pcs
12	235,8 cm	€ 9.702	€ 10.036	€ 10.372	€ 10.705	€ 11.046	€ 11.375	€ 11.708	€ 12.044	€ 12.378	€ 12.710	€ 13.044	€ 55	€ 112	
13	253,4 cm	€ 9.986	€ 10.336	€ 10.682	€ 11.034	€ 11.396	€ 11.735	€ 12.090	€ 12.442	€ 12.790	€ 13.140	€ 13.492	€ 55	€ 112	2 pcs
14	271 cm	€ 10.268	€ 10.636	€ 10.993	€ 11.362	€ 11.746	€ 12.096	€ 12.472	€ 12.835	€ 13.204	€ 13.568	€ 13.938	€ 55	€ 112	
15	288,6 cm	€ 10.547	€ 10.936	€ 11.303	€ 11.691	€ 12.096	€ 12.456	€ 12.854	€ 13.227	€ 13.616	€ 13.997	€ 14.384	€ 55	€ 112	2 pcs
16	306,2 cm	€ 10.830	€ 11.236	€ 11.614	€ 12.019	€ 12.446	€ 12.831	€ 13.236	€ 13.620	€ 14.029	€ 14.425	€ 14.830	€ 55	€ 168	
17	323,8 cm	€ 11.109	€ 11.535	€ 11.924	€ 12.347	€ 12.795	€ 13.206	€ 13.616	€ 14.013	€ 14.441	€ 14.853	€ 15.276	€ 55	€ 168	3 pcs
18	341,4 cm	€ 11.393	€ 11.835	€ 12.235	€ 12.676	€ 13.145	€ 13.579	€ 13.997	€ 14.405	€ 14.853	€ 15.282	€ 15.723	€ 55	€ 168	
19	359 cm	€ 11.675	€ 12.124	€ 12.546	€ 13.004	€ 13.495	€ 13.948	€ 14.377	€ 14.798	€ 15.266	€ 15.710	€ 16.169	€ 55	€ 168	3 pcs
20	376,6 cm	€ 11.953	€ 12.419	€ 12.856	€ 13.333	€ 13.845	€ 14.318	€ 14.757	€ 15.191	€ 15.678	€ 16.138	€ 16.615	€ 55	€ 168	
21	394,2 cm	€ 12.237	€ 12.715	€ 13.167	€ 13.665	€ 14.195	€ 14.687	€ 15.137	€ 15.583	€ 16.090	€ 16.567	€ 17.061	€ 55	€ 168	3 pcs
22	411,8 cm	€ 12.515	€ 13.011	€ 13.477	€ 13.997	€ 14.545	€ 15.057	€ 15.517	€ 15.976	€ 16.503	€ 16.995	€ 17.507	€ 55	€ 168	
23	429,4 cm	€ 12.799	€ 13.308	€ 13.788	€ 14.329	€ 14.894	€ 15.426	€ 15.897	€ 16.369	€ 16.915	€ 17.424	€ 17.954	€ 55	€ 168	3 pcs
24	447 cm	€ 13.081	€ 13.604	€ 14.102	€ 14.661	€ 15.244	€ 15.796	€ 16.278	€ 16.761	€ 17.327	€ 17.852	€ 20.042	€ 55	€ 168	
25	464,6 cm	€ 13.359	€ 13.900	€ 14.416	€ 14.993	€ 15.594	€ 16.165	€ 16.658	€ 17.154	€ 17.739	€ 18.280	€ 20.488	€ 55	€ 223	4 pcs
26	482,2 cm	€ 13.643	€ 14.197	€ 14.730	€ 15.325	€ 15.944	€ 16.535	€ 17.038	€ 17.547	€ 19.794	€ 20.351	€ 20.934	€ 55	€ 223	
27	499,8 cm	€ 13.922	€ 14.493	€ 15.044	€ 15.657	€ 16.294	€ 16.904	€ 17.418	€ 17.939	€ 20.206	€ 20.779	€ 21.380	€ 55	€ 223	4 pcs
28	517,4 cm	€ 14.205	€ 14.789	€ 15.358	€ 15.989	€ 16.644	€ 17.274	€ 17.798	€ 18.332	€ 20.618	€ 21.207	€ 21.827	€ 55	€ 223	
29	535 cm	€ 14.489	€ 15.085	€ 15.673	€ 16.320	€ 16.993	€ 17.643	€ 18.179	€ 20.367	€ 21.031	€ 21.636	€ 22.273	€ 55	€ 223	4 pcs
30	552,6 cm	€ 14.767	€ 15.382	€ 15.987	€ 16.652	€ 17.343	€ 18.013	€ 18.559	€ 20.759	€ 21.443	€ 22.064	€ 22.719	€ 55	€ 223	
31	570,2 cm	€ 15.051	€ 15.678	€ 16.301	€ 16.984	€ 17.693	€ 18.382	€ 18.939	€ 21.152	€ 21.855	€ 22.492	€ 23.165	€ 55	€ 223	5 pcs
32	587,8 cm	€ 15.334	€ 15.974	€ 16.615	€ 17.316	€ 18.043	€ 18.751	€ 20.961	€ 21.545	€ 22.268	€ 22.921	€ 23.612	€ 55	€ 223	
33	605,4 cm	€ 16.181	€ 16.835	€ 17.493	€ 18.212	€ 18.957	€ 19.685	€ 21.905	€ 22.501	€ 23.244	€ 23.913	€ 24.622	€ 110	€ 279	5 pcs
34	623 cm	€ 16.464	€ 17.131	€ 17.807	€ 18.544	€ 19.307	€ 21.696	€ 22.285	€ 22.894	€ 23.656	€ 24.342	€ 25.068	€ 110	€ 279	
35	640,6 cm	€ 16.747	€ 17.427	€ 18.121	€ 18.876	€ 19.656	€ 22.066	€ 22.666	€ 23.287	€ 24.068	€ 24.770	€ 25.514	€ 110	€ 279	5 pcs
36	658,2 cm	€ 17.030	€ 17.723	€ 18.436	€ 19.208	€ 20.006	€ 22.435	€ 23.046	€ 23.679	€ 24.481	€ 25.198	€ 25.960	€ 110	€ 279	
37	675,8 cm	€ 17.313	€ 18.020	€ 18.750	€ 19.540	€ 21.998	€ 22.805	€ 23.426	€ 24.072	€ 24.893	€ 25.627	€ 26.407	€ 110	€ 279	5 pcs
38	693,4 cm	€ 17.596	€ 18.316	€ 19.064	€ 19.872	€ 22.348	€ 23.174	€ 23.806	€ 24.465	€ 25.305	€ 26.055	€ 26.853	€ 110	€ 279	
39	711 cm	€ 17.879	€ 18.612	€ 19.378	€ 20.204	€ 22.698	€ 23.544	€ 24.186	€ 24.857	€ 25.718	€ 26.483	€ 27.299	€ 110	€ 279	5 pcs
40	728,6 cm	€ 18.162	€ 18.909	€ 19.692	€ 22.178	€ 23.048	€ 23.913	€ 24.566	€ 25.250	€ 26.130	€ 26.912	€ 27.745	€ 110	€ 279	
41	746,2 cm	€ 18.446	€ 19.205	€ 20.006	€ 22.510	€ 23.397	€ 24.283	€ 24.947	€ 25.643	€ 26.542	€ 27.340	€ 28.191	€ 110	€ 279	6 pcs
42	763,8 cm	€ 18.729	€ 19.501	€ 20.320	€ 22.842	€ 23.747	€ 24.652	€ 25.327	€ 26.035	€ 26.955	€ 27.768	€ 28.638	€ 110	€ 342	
43	781,4 cm	€ 19.012	€ 19.797	€ 20.634	€ 23.174	€ 24.097	€ 25.022	€ 25.707	€ 26.428	€ 27.367	€ 28.197	€ 29.084	€ 110	€ 342	6 pcs
44	799 cm	€ 19.295	€ 20.094	€ 20.949	€ 23.506	€ 24.447	€ 25.391	€ 26.087	€ 26.821	€ 27.779	€ 28.625	€ 29.530	€ 110	€ 342	
BP1-AW	Covering	€ 55	€ 55	€ 55	€ 55	€ 55	€ 55	€ 55	€ 55	€ 55	€ 55	€ 55			
BP2-BW	Wall Bracket	€ 112	€ 112	€ 112	€ 112	€ 112	€ 168	€ 168	€ 168	€ 168	€ 168	€ 168			
Number of wall bracket		2 pcs					3 pcs								

OPTIONS

BP3-A	2 Linear LED	€ 234	modul
BP3-A-RGB	2 Linear RGB LED	€ 298	modul
BP3-B	3 Linear LED	€ 305	modul
BP3-B-RGB	3 Linear RGB LED	€ 386	modul
BP4	Perimeter LED	€ 83	lm
BP4-RGB	Perimeter RGB LED	€ 91	lm
BP4-RGBWW	Perimeter RGBWW LED	€ 104	lm
BP5-B	Extra Pillar (150x150x3 mm - Al)	€ 405	set
BP7	Polyurethan foam	€ 147	m ²
FS19	Fix louver	€ 72	lm
BP8	Sun Sensor (SUNIS) (with Universal Receiver RTS)	€ 961	pcs
BP9	Wind Sensor (EOLIS RTS) (with Universal Receiver RTS)	€ 638	pcs
BP10	Sun and Wind Sensor (SOLIRIS RTS) (with Universal Receiver RTS)	€ 676	pcs
BP11⁸	Rain Sensor (ONDEIS) (with Universal Receiver RTS)	€ 912	pcs
FS30	CONNEXOON	€ 510	pcs
BP12-P1⁹	Hanging (Right or Left Side)	€ 697	set
BP12-P2⁹	Hanging (Front)	€ 687	set
BP12-P3⁹	Hanging (Module)	€ 784	set
BP13¹⁰	Inner aluminium drainage set on steel pillars	€ 273	set
BP14-P¹	Hidden Anchorage set for Plus - Prestige (with drainage)	€ 115	set
BP14-P²	Hidden Anchorage set for Plus - Prestige (without drainage)	€ 59	set

STEEL CONSTRUCTION

Beam Group		
150x150x3mm St	€ 433	lm
150x150x5mm St	€ 606	lm
150x150x6mm St	€ 717	lm
150x200x3mm St	€ 506	lm
150x200x5mm St	€ 760	lm
150x200x6mm St	€ 901	lm
150x250x6mm St	€ 1.039	lm
150x250x8mm St	€ 1.420	lm
200x200x6mm St	€ 1.038	lm
200x300x6mm St	€ 1.313	lm
200x300x8mm St	€ 1.786	lm

Pillar Group

150x150x3mm St	€ 687	set
150x150x5mm St	€ 1.214	set
200x200x6mm St	€ 1.757	set

* For more steel sections, please refer to our component list.

BP1-AW	Covering Z bending for width side
BP2-BW	Wall Bracket (Plus & Prestige)
BP1-AP	Covering Z bending for projection side
BP2-BP	Wall Bracket (Plus & Prestige)

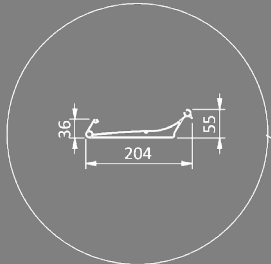
NOTES:

1. If projection is bigger than 587,8 cm (32th panel), an additional pillar is required on each side. It is included in the price.
2. For wall installations, 3 cm must be added to the projection size.
3. For ceiling installations, 16 cm must be added to the projection size.
4. Palmiye Aluminium Coating Catalogue includes the standard colours with no extra cost. For any other type/brand/color of paint, price difference and additional delivery duration shall be checked from your customer representative.
5. Support pillar deduction can apply only when supported by wall bracket or steel application.
6. If rain sensor is needed; For single product, a Dry contact transmitter which costs 356€, must be added to the price. For up to 5 products, a RS485 Automation interface Dry contact transmitter which costs 1087€ must be added to the price.
7. For available sizes please refer to related hanging models.
8. Water outlets can be optionally given through the steel pillars.
9. The corner pillars can be moved max. 50cm.
10. Hanging models can be made as wall/ceiling connections, cannot be freestanding. If projection is in the range of 359 cm – 447cm, a hanging pipe is applied to the front gutter beam of the product. In this case, 2 pipes should be applied in each direction. Additional pipes should be priced from option price. For projections more than 447cm, the maximum projection is determined according to the pipe profile length. The maximum pipe profile length can not be more than 600 cm. A middle hanging pipe will be used only in projection sizes after 450cm.
11. For wall installed products, a wall bracket is required in every 150cm.

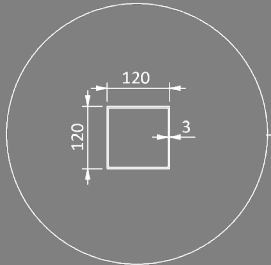
DEDUCTION

1. Deduction to short pillar -€51
2. Support pillar deduction cost is -€397

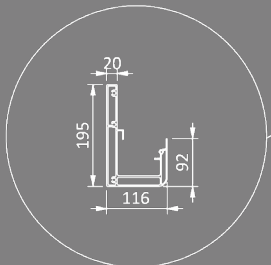
SKYROOF COMPACT



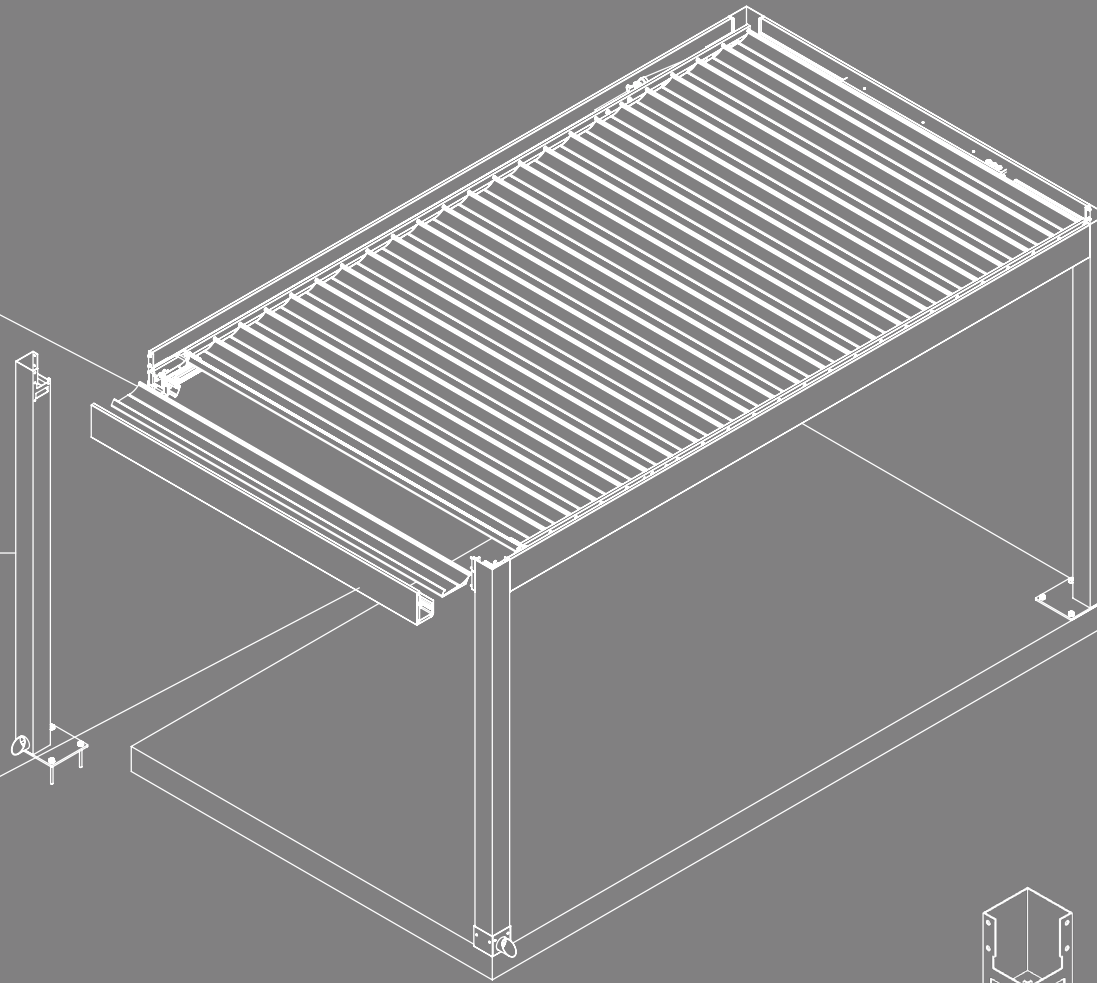
Panel



Pillar



Integrated Beam



Short pillar

REQUIRED WATER DRAINAGE

NO OF PANEL	PROJECTION	WIDTH (cm)						
		150	200	250	300	350	375	400
8	160,3 cm	1	1	1	1	1	1	1
9	177,9 cm	1	1	1	1	1	1	1
10	195,5 cm	1	1	1	1	1	1	1
11	213,1 cm	1	1	1	1	1	1	1
12	230,7 cm	1	1	1	1	1	1	1
13	248,3 cm	1	1	1	1	1	1	1
14	265,9 cm	1	1	1	1	1	1	1
15	283,5 cm	1	1	1	1	1	1	1
16	301,1 cm	1	1	1	1	1	1	2
17	318,7 cm	1	1	1	1	1	1	2
18	336,3 cm	1	1	1	1	1	1	2
19	353,9 cm	1	1	1	1	1	2	2
20	371,5 cm	1	1	1	1	1	2	2
21	389,1 cm	1	1	1	1	1	2	2
22	406,7 cm	1	1	1	1	2	2	2
23	424,3 cm	1	1	1	1	2	2	2
24	441,9 cm	1	1	1	1	2	2	2
25	459,5 cm	1	1	1	2	2	2	2
26	477,1 cm	1	1	1	2	2	2	2
27	494,7 cm	1	1	1	2	2	2	2
28	512,3 cm	1	1	2	2	2	2	2
29	529,9 cm	1	1	2	2	2	2	2
30	547,5 cm	1	1	2	2	2	2	2
31	565,1 cm	1	2	2	2	2	2	2
32	582,7 cm	1	2	2	2	2	2	2
33	600,3 cm	1	2	2	2	2	2	2

WIND RESISTANCE

NO OF PANEL	PROJECTION	WIDTH (cm)	
		150	400
8	160,3	9	6
33	600,3	6	5

*The values are given according to the Beaufort scale.
 ** Calculated for Products with a front height of 300 cm according to Eurocode EN 1991-1-4 Terrain Category 4.
 *** You can ask for new calculations for special designs.

SNOW LOAD

NO OF PANEL	PROJECTION	WIDTH (cm)	
		150	400
8	160,3	199	150
33	600,3	42	31

* The values are given as kg/m² and are calculated for the units with a height of 300cm and without side closures.

NO OF PANEL	PROJECTION	WIDTH (cm)	
		150	400
8	160,3	9	6
33	600,3	6	5

* The values are given according to the Beaufort scale.
 ** Calculated for Products with a front height of 300 cm according to Eurocode EN 1991-1-4 Terrain Category 4.
 *** You can ask for new calculations for special designs.

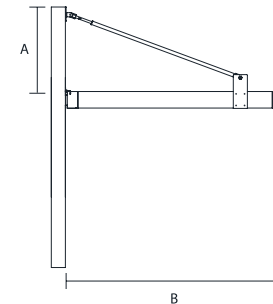
NO OF PANEL	PROJECTION	WIDTH (cm)	
		150	400
11	160,3	189	350
33	600,3	41	29

* The values are given as kg/m² and are calculated for the units with a height of 350cm and without side closures.

MINIMUM "A" VALUES

For hanging options

B (cm)	150 - 353,9	353,9 - 441,9	> 441,9
A (cm)	50	100	120



SKYROOF COMPACT

PANEL	FREESTANDING		WIDTH (cm)										BP1-AP	BP2-AP	
	PROJECTION		150 cm	175 cm	200 cm	225 cm	250 cm	275 cm	300 cm	325 cm	350 cm	375 cm	400 cm	Covering	Wall Bracket
8	160,3 cm	€ 6.501	€ 6.744	€ 7.193	€ 7.417	€ 7.641	€ 7.861	€ 8.074	€ 8.287	€ 8.534	€ 9.044	€ 9.299	€ 55	€ 104	
9	177,9 cm	€ 6.728	€ 6.973	€ 7.424	€ 7.659	€ 7.896	€ 8.130	€ 8.360	€ 8.589	€ 8.841	€ 9.365	€ 9.624	€ 55	€ 104	
10	195,5 cm	€ 6.954	€ 7.202	€ 7.655	€ 7.902	€ 8.151	€ 8.400	€ 8.646	€ 8.891	€ 9.148	€ 9.686	€ 9.950	€ 55	€ 104	
11	213,1 cm	€ 7.180	€ 7.431	€ 7.886	€ 8.144	€ 8.406	€ 8.670	€ 8.931	€ 9.193	€ 9.454	€ 10.007	€ 10.276	€ 55	€ 104	
12	230,7 cm	€ 7.406	€ 7.661	€ 8.111	€ 8.387	€ 8.664	€ 8.939	€ 9.220	€ 9.490	€ 9.765	€ 10.340	€ 10.623	€ 55	€ 104	
13	248,3 cm	€ 7.632	€ 7.890	€ 8.345	€ 8.634	€ 8.919	€ 9.209	€ 9.508	€ 9.787	€ 10.079	€ 10.682	€ 10.983	€ 55	€ 104	
14	265,9 cm	€ 7.858	€ 8.119	€ 8.577	€ 8.881	€ 9.175	€ 9.480	€ 9.796	€ 10.083	€ 10.393	€ 11.024	€ 11.343	€ 55	€ 104	
15	283,5 cm	€ 8.084	€ 8.348	€ 8.806	€ 9.127	€ 9.430	€ 9.750	€ 10.083	€ 10.380	€ 10.707	€ 11.366	€ 11.703	€ 55	€ 104	
16	301,1 cm	€ 8.310	€ 8.578	€ 9.039	€ 9.374	€ 9.686	€ 10.020	€ 10.371	€ 10.688	€ 11.021	€ 11.695	€ 12.038	€ 55	€ 155	
17	318,7 cm	€ 8.536	€ 8.807	€ 9.268	€ 9.620	€ 9.941	€ 10.289	€ 10.658	€ 10.996	€ 11.333	€ 12.020	€ 12.368	€ 55	€ 155	
18	336,3 cm	€ 8.762	€ 9.036	€ 9.501	€ 9.866	€ 10.195	€ 10.559	€ 10.945	€ 11.302	€ 11.645	€ 12.347	€ 12.700	€ 55	€ 155	
19	353,9 cm	€ 8.988	€ 9.266	€ 9.732	€ 10.103	€ 10.450	€ 10.828	€ 11.232	€ 11.605	€ 11.956	€ 12.677	€ 13.039	€ 55	€ 155	
20	371,5 cm	€ 9.214	€ 9.495	€ 9.960	€ 10.344	€ 10.704	€ 11.097	€ 11.518	€ 11.907	€ 12.267	€ 13.006	€ 13.377	€ 55	€ 155	
21	389,1 cm	€ 9.440	€ 9.724	€ 10.193	€ 10.587	€ 10.959	€ 11.368	€ 11.805	€ 12.209	€ 12.578	€ 13.335	€ 13.715	€ 55	€ 155	
22	406,7 cm	€ 9.666	€ 9.953	€ 10.421	€ 10.829	€ 11.213	€ 11.640	€ 12.091	€ 12.511	€ 12.889	€ 13.664	€ 14.053	€ 55	€ 155	
23	424,3 cm	€ 9.892	€ 10.183	€ 10.653	€ 11.071	€ 11.466	€ 11.911	€ 12.377	€ 12.813	€ 13.199	€ 13.993	€ 14.391	€ 55	€ 155	
24	441,9 cm	€ 10.118	€ 10.412	€ 10.883	€ 11.313	€ 11.723	€ 12.182	€ 12.662	€ 13.115	€ 13.510	€ 14.321	€ 14.728	€ 55	€ 155	
25	459,5 cm	€ 10.344	€ 10.641	€ 11.110	€ 11.555	€ 11.979	€ 12.453	€ 12.947	€ 13.416	€ 13.819	€ 14.649	€ 15.065	€ 55	€ 207	
26	477,1 cm	€ 10.570	€ 10.870	€ 11.341	€ 11.797	€ 12.235	€ 12.724	€ 13.233	€ 13.717	€ 14.129	€ 14.977	€ 15.401	€ 55	€ 207	
27	494,7 cm	€ 10.796	€ 11.100	€ 11.568	€ 12.038	€ 12.491	€ 12.994	€ 13.517	€ 14.018	€ 14.439	€ 15.305	€ 15.738	€ 55	€ 207	
28	512,3 cm	€ 11.022	€ 11.329	€ 11.799	€ 12.279	€ 12.747	€ 13.264	€ 13.802	€ 14.319	€ 14.748	€ 15.632	€ 16.074	€ 55	€ 207	
29	529,9 cm	€ 11.586	€ 11.905	€ 12.390	€ 12.896	€ 13.392	€ 13.940	€ 14.509	€ 15.058	€ 15.509	€ 15.959	€ 16.410	€ 55	€ 207	
30	547,5 cm	€ 11.818	€ 12.141	€ 12.627	€ 13.144	€ 13.656	€ 14.219	€ 14.802	€ 15.367	€ 15.827	€ 16.287	€ 16.746	€ 55	€ 259	
31	565,1 cm	€ 12.051	€ 12.377	€ 12.865	€ 13.393	€ 13.919	€ 14.497	€ 15.096	€ 15.677	€ 16.145	€ 16.614	€ 17.082	€ 55	€ 259	
32	582,7 cm	€ 12.284	€ 12.613	€ 13.102	€ 13.641	€ 14.182	€ 14.775	€ 15.389	€ 15.987	€ 16.464	€ 16.941	€ 17.418	€ 55	€ 259	
33	600,3 cm	€ 12.517	€ 12.849	€ 13.339	€ 13.889	€ 14.446	€ 15.053	€ 15.682	€ 16.296	€ 16.782	€ 17.268	€ 17.754	€ 55	€ 259	
BP1-AW	Covering	€ 55	€ 55	€ 55	€ 55	€ 55	€ 55	€ 55	€ 55	€ 55	€ 55	€ 55	€ 55		
BP2-AW	Wall Bracket	€ 104	€ 104	€ 104	€ 104	€ 104	€ 104	€ 104	€ 155	€ 155	€ 155	€ 155	€ 155		
Number of wall bracket		2 pcs						3 pcs							

OPTIONS

BP4	Perimeter LED	€ 83	lm
BP4-RGB	Perimeter RGB LED	€ 91	lm
BP4-RGBWW	Perimeter RGBWW LED	€ 104	lm
BP5-A	Extra Pillar (120x120x3mm - Al)	€ 324	set
FS19	Fix louver	€ 72	lm
BP8	Sun Sensor (SUNIS) (with Universal Receiver RTS)	€ 961	pcs
BP9	Wind Sensor (EOLIS RTS) (with Universal Receiver RTS)	€ 638	pcs
BP10	Sun and Wind Sensor (SOLIRIS RTS) (with Universal Receiver RTS)	€ 676	pcs
BP11 ⁷	Rain Sensor (ONDEIS) (with Universal Receiver RTS)	€ 912	pcs
FS30	CONNEXOON	€ 510	pcs
BP12-C1 ⁹	Hanging (Right or Left Side)	€ 697	set
BP12-C2 ⁹	Hanging (Front)	€ 683	set
BP12-C3 ⁹	Hanging (Module)	€ 777	set
BP13 ¹⁰	Inner aluminium drainage set on steel pillars	€ 273	set
BP14-C1	Hidden Anchorage set for Compact (with drainage)	€ 111	set
BP14-C2	Hidden Anchorage set for Compact (without drainage)	€ 52	set

STEEL CONSTRUCTION

Beam Group		
120x120x3mm St	€ 346	lm
120x120x5mm St	€ 478	lm
150x150x3mm St	€ 433	lm
150x150x5mm St	€ 606	lm
150x150x6mm St	€ 717	lm
150x200x3mm St	€ 506	lm
150x200x5mm St	€ 760	lm
150x200x6mm St	€ 901	lm
150x250x6mm St	€ 1.039	lm
150x250x8mm St	€ 1.420	lm
200x200x6mm St	€ 1.038	lm
200x300x6mm St	€ 1.313	lm
200x300x8mm St	€ 1.786	lm

Pillar Group

120x120x3mm St	€ 547	set
120x120x5mm St	€ 956	set
150x150x3mm St	€ 687	set
150x150x5mm St	€ 1.214	set
200x200x6mm St	€ 1.757	set

* For more steel sections, please refer to our component list.

BP1-AW	Covering Z bending for width side
BP2-BW	Wall Bracket (Plus & Prestige)
BP1-AP	Covering Z bending for projection side
BP2-BP	Wall Bracket (Plus & Prestige)

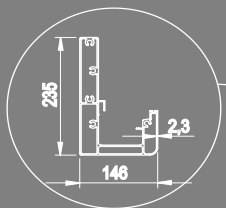
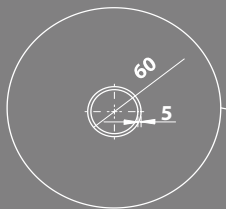
NOTES:

- For wall installations, 3 cm must be added to the projection size.
- For ceiling installations, 16 cm must be added to the projection size.
- Palmye Aluminium Coating Catalogue includes the standard colours with no extra cost. For any other type/brand/color of paint, price difference and additional delivery duration shall be checked from your customer representative.
- Support pillar deduction can apply only when supported by wall bracket or steel application.
- If rain sensor is needed; For single product, a Dry contact transmitter which costs 356€, must be added to the price. For up to 5 products, a RS485 Automation interface Dry contact transmitter which costs 1087€ must be added to the price.
- The corner pillars can be moved max. 50cm.
- For available sizes please refer to related hanging models.
- Water outlets can be optionally given through the steel pillars.
- Hanging models can be made as wall/ceiling connections, cannot be freestanding.
- If projection is in the range of 353,9 cm – 441,9cm, a hanging pipe is applied to the front gutter beam of the product. In this case, 2 pipes should be applied in each direction. Additional pipes should be priced from option price. For projections more than 441,9cm, the maximum projection is determined according to the pipe profile length. The maximum pipe profile length can not be more than 600 cm. A middle hanging pipe will be used only in projection sizes after 450cm.
- For wall installed products, a wall bracket is required in every 150cm.

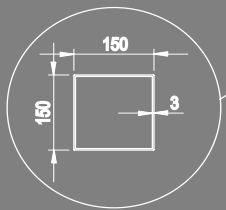
DEDUCTION

- Deduction to short pillar -€39

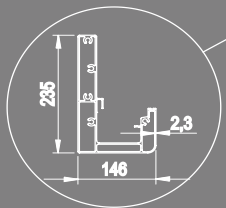
SKYROOF PLUS HANGING



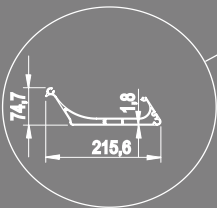
Integrated Beam



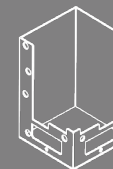
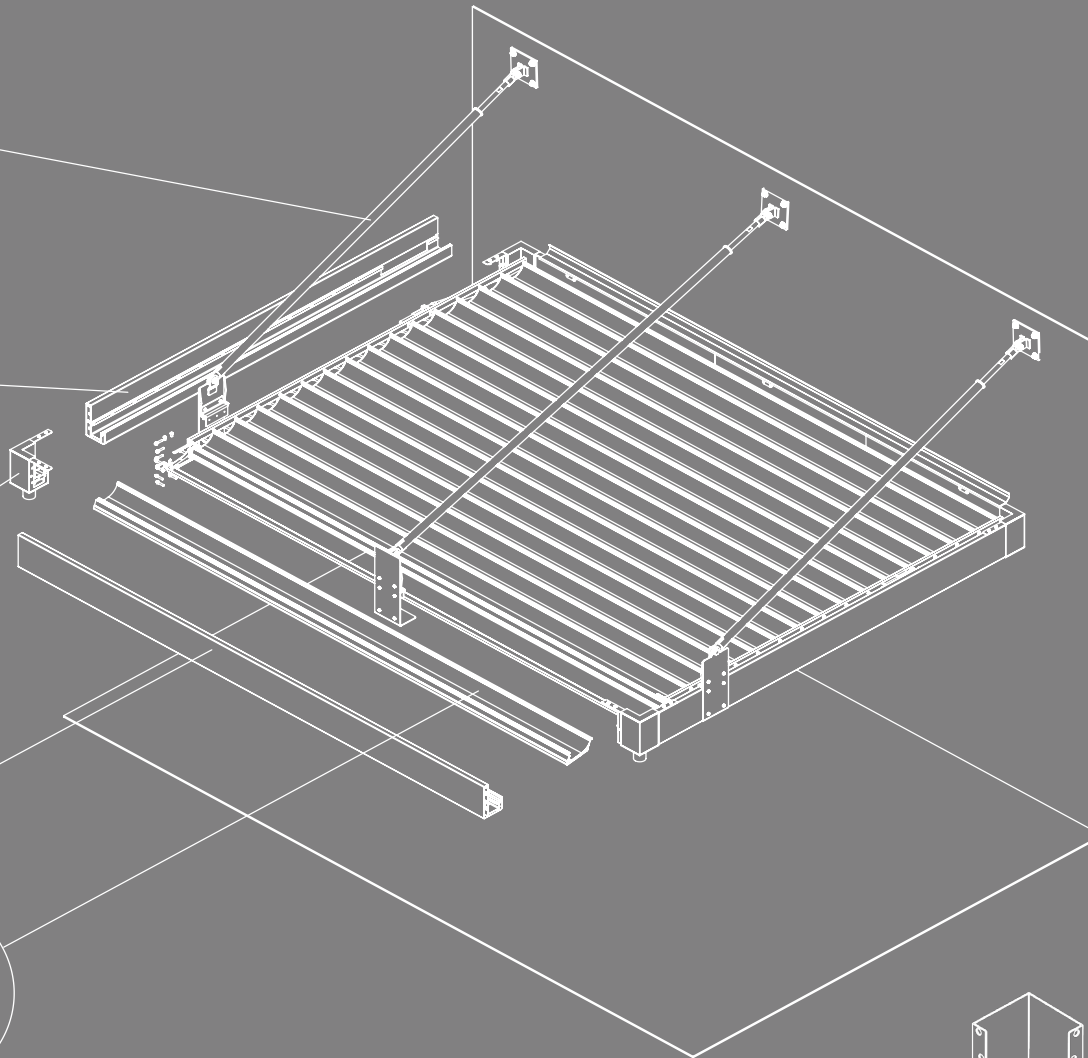
Corner Connector



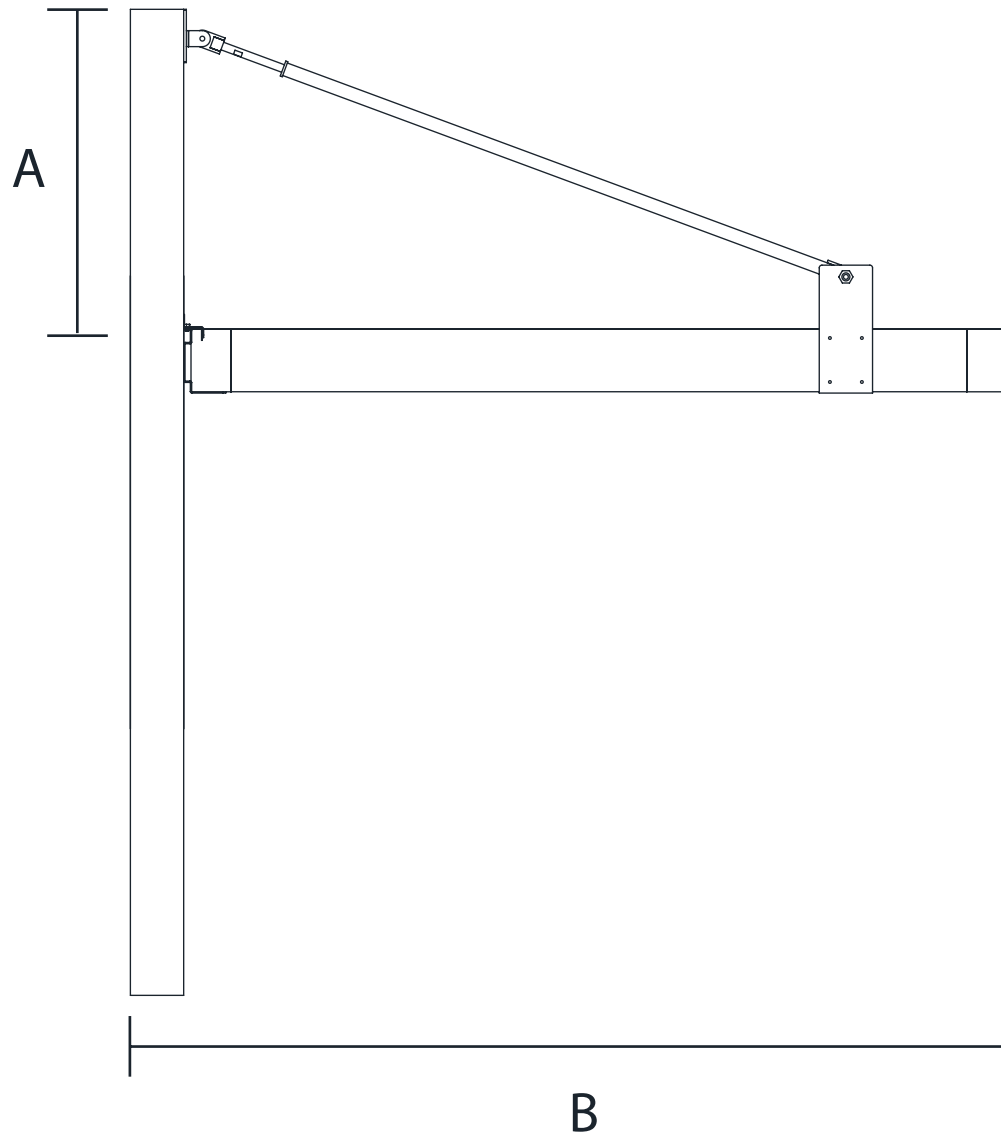
Integrated Beam



Panel



Short pillar



STANDARD "A" VALUES

B (cm)	150 - 359
A (cm)	50

SKYROOF PLUS HANGING

Panel	FREESTANDING Projection	WIDTH (cm)											BP1-AP	BP2-BP
		150 cm	175 cm	200 cm	225 cm	250 cm	275 cm	300 cm	325 cm	350 cm	375 cm	400 cm	Covering	Wall Bracket
8	165,4 cm	€ 8.871	€ 9.163	€ 9.447	€ 9.748	€ 10.035	€ 10.328	€ 10.611	€ 10.899	€ 11.211	€ 11.508	€ 11.802	€ 57	€ 115
9	183 cm	€ 9.128	€ 9.439	€ 9.751	€ 10.067	€ 10.378	€ 10.689	€ 10.996	€ 11.309	€ 11.631	€ 11.944	€ 12.255	€ 57	€ 115
10	200,6 cm	€ 9.401	€ 9.731	€ 10.061	€ 10.391	€ 10.723	€ 11.052	€ 11.381	€ 11.709	€ 12.047	€ 12.378	€ 12.709	€ 57	€ 115
11	218,2 cm	€ 9.678	€ 10.028	€ 10.372	€ 10.716	€ 11.065	€ 11.417	€ 11.766	€ 12.116	€ 12.465	€ 12.815	€ 13.164	€ 57	€ 115
12	235,8 cm	€ 9.934	€ 10.304	€ 10.673	€ 11.040	€ 11.409	€ 11.776	€ 12.151	€ 12.512	€ 12.879	€ 13.248	€ 13.616	€ 57	€ 115
13	253,4 cm	€ 10.206	€ 10.604	€ 10.985	€ 11.370	€ 11.750	€ 12.137	€ 12.536	€ 12.909	€ 13.299	€ 13.686	€ 14.069	€ 57	€ 172
14	271 cm	€ 10.478	€ 10.884	€ 11.295	€ 11.699	€ 12.092	€ 12.498	€ 12.921	€ 13.305	€ 13.720	€ 14.118	€ 14.525	€ 57	€ 172
15	288,6 cm	€ 10.773	€ 11.196	€ 11.601	€ 12.029	€ 12.434	€ 12.860	€ 13.305	€ 13.702	€ 14.140	€ 14.550	€ 14.978	€ 57	€ 172
16	306,2 cm	€ 10.981	€ 11.444	€ 11.913	€ 12.359	€ 12.775	€ 13.221	€ 13.690	€ 14.114	€ 14.560	€ 14.982	€ 15.432	€ 57	€ 172
17	323,8 cm	€ 11.290	€ 11.741	€ 12.220	€ 12.689	€ 13.117	€ 13.582	€ 14.075	€ 14.527	€ 14.978	€ 15.414	€ 15.885	€ 57	€ 172
18	341,4 cm	€ 11.604	€ 12.092	€ 12.532	€ 13.019	€ 13.459	€ 13.943	€ 14.460	€ 14.937	€ 15.396	€ 15.846	€ 16.339	€ 57	€ 172
19	359 cm	€ 11.843	€ 12.331	€ 12.842	€ 13.337	€ 13.800	€ 14.305	€ 14.845	€ 15.343	€ 15.814	€ 16.278	€ 16.792	€ 57	€ 172
BP1-AW	Covering	€ 57	€ 57	€ 57	€ 57	€ 57	€ 57	€ 57	€ 57	€ 57	€ 57	€ 57	€ 57	€ 57
BP2-BW	Wall Bracket	€ 115	€ 115	€ 115	€ 115	€ 115	€ 172	€ 172	€ 172	€ 172	€ 172	€ 172	€ 172	€ 172
Number of wall bracket		2 pcs					3 pcs							

2 pcs

3 pcs

NOTES:

1. For wall installations, 3 cm must be added to the projection size.
2. For ceiling installations, 16 cm must be added to the projection size.
3. Palmiye Aluminium Coating Catalogue includes the standard colours with no extra cost. For any other type/brand/coulor of paint, price difference and additional delivery duration shall be checked from your customer representative.
4. If rain sensor is needed; For single product, a Dry contact transmitter which costs 356€, must be added to the price. For up to 5 products, a RS485 Automation interface Dry contact transmitter which costs 1087€ must be added to the price.
5. Hanging models can be made as wall/ceiling connections, cannot be freestanding.
6. For wall installed products, a wall bracket is required in every 150cm.

OPTIONS

BP3-A	2 Linear LED	€ 234	modul
BP3-A-RGB	2 Linear RGB LED	€ 298	modul
BP3-B	3 Linear LED	€ 305	modul
BP3-B-RGB	3 Linear RGB LED	€ 386	modul
BP4	Perimeter LED	€ 83	lm
BP4-RGB	Perimeter RGB LED	€ 91	lm
BP4-RGBWW	Perimeter RGBWW LED	€ 104	lm
BP5-B	Extra Pillar (150x150x3 mm - Al)	€ 405	set
FS19	Fix louver	€ 72	lm
BP7	Polyurethan foam	€ 147	m ²
BP8	Sun Sensor (SUNIS) (with Universal Receiver RTS)	€ 961	pcs
BP9	Wind Sensor (EOLIS RTS) (with Universal Receiver RTS)	€ 638	pcs
BP10	Sun and Wind Sensor (SOLIRIS RTS) (with Universal Receiver RTS)	€ 676	pcs
BP11	Rain Sensor (ONDEIS) (with Universal Receiver RTS)	€ 912	pcs
FS30	CONNEXOON	€ 510	pcs
BP12-P1	Hanging (Right or Left Side)	€ 697	set
BP12-P2	Hanging (Front)	€ 687	set
BP12-P3	Hanging (Module)	€ 784	set
FS28-1	Stainless steel chain - 100 cm	€ 76	1m
FS28-2	Stainless steel chain - 200 cm	€ 149	2m
FS28-3	Stainless steel chain - 300 cm	€ 223	3m
FS28-4	Stainless steel chain - 400 cm	€ 297	4m

STEEL CONSTRUCTION

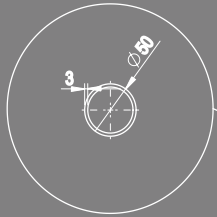
Beam Group		
150x150x3mm St	€ 433	lm
150x150x5mm St	€ 606	lm
150x150x6mm St	€ 717	lm
150x200x3mm St	€ 506	lm
150x200x5mm St	€ 760	lm
150x200x6mm St	€ 901	lm
150x250x6mm St	€ 1.039	lm
150x250x8mm St	€ 1.420	lm
200x200x6mm St	€ 1.038	lm
200x300x6mm St	€ 1.313	lm
200x300x8mm St	€ 1.786	lm

Pillar Group

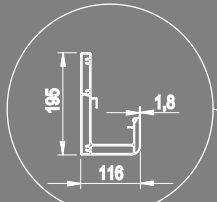
150x150x3mm St	€ 687	set
150x150x5mm St	€ 1.214	set
200x200x6mm St	€ 1.757	set

* For more steel sections, please refer to our component list.

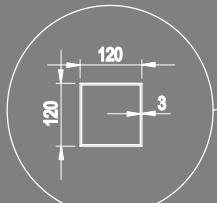
SKYROOF COMPACT HANGING



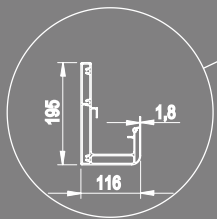
Steel Hanging Pipe



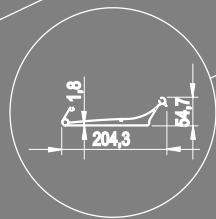
Integrated Beam



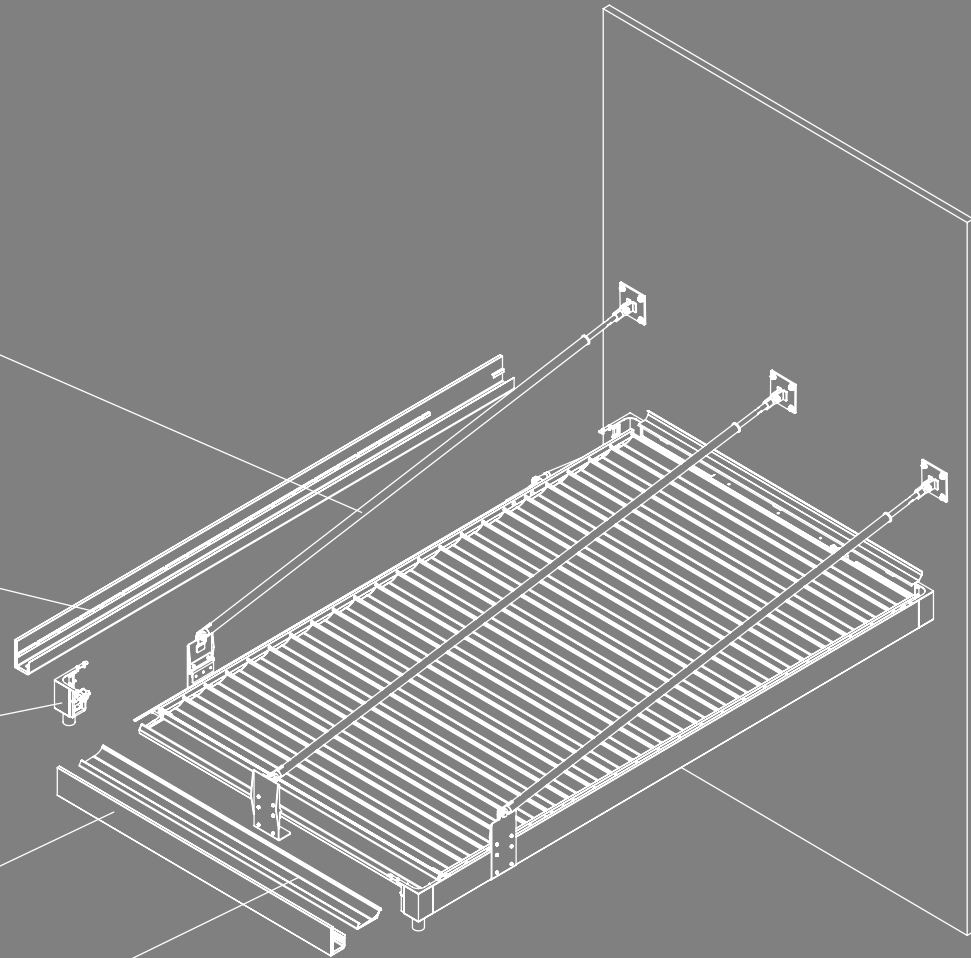
Corner Connector



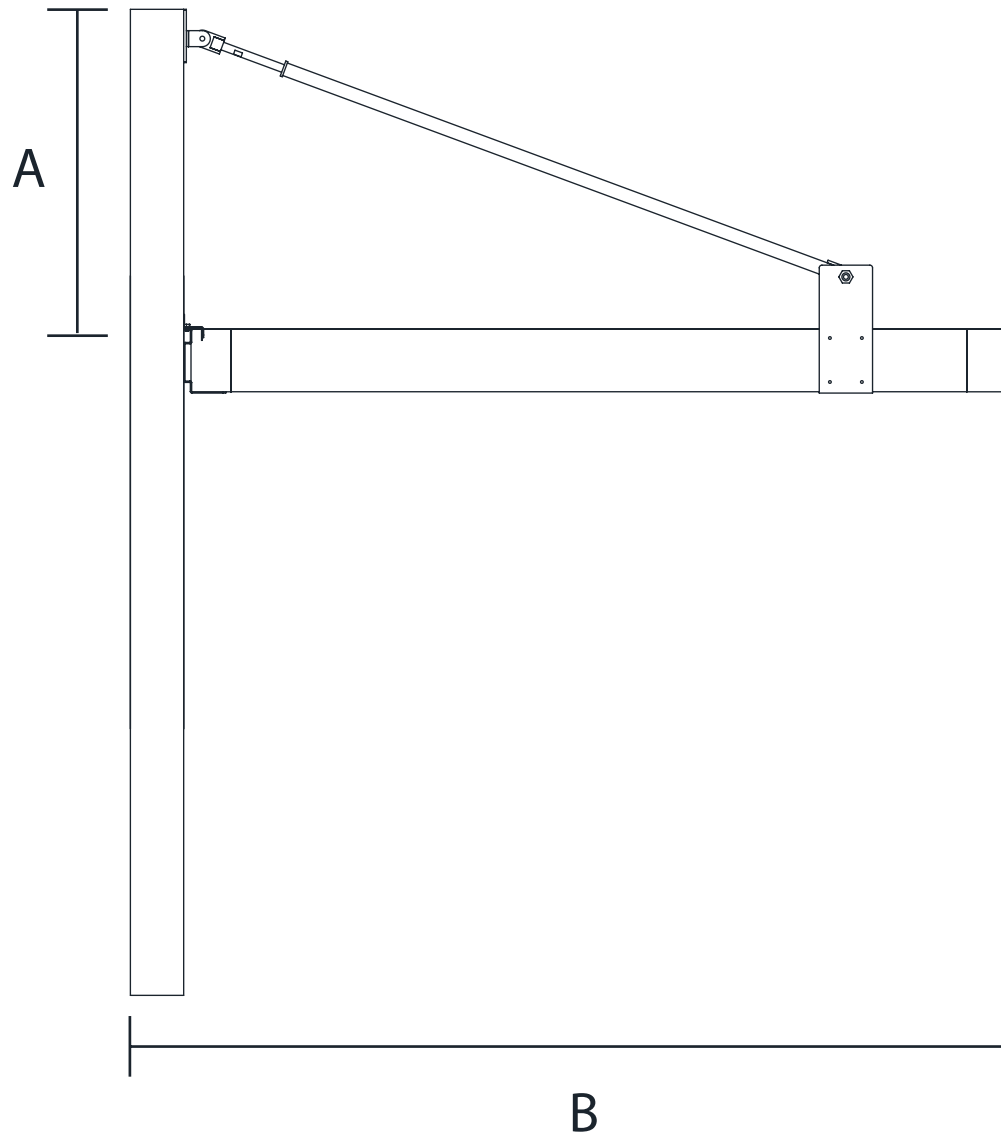
Integrated Beam



Panel



Short pillar



STANDARD "A" VALUES

B (cm)	150 - 356,7
A (cm)	50

SKYROOF COMPACT HANGING

Panel	FREESTANDING Projection	WIDTH (cm)									BP1-AP	BP2-AP
		150 cm	175 cm	200 cm	225 cm	250 cm	275 cm	300 cm	325 cm	350 cm	Covering	Wall Bracket
8	160,3 cm	€ 7.152	€ 7.418	€ 7.913	€ 8.159	€ 8.405	€ 8.647	€ 8.881	€ 9.116	€ 9.387	€ 55	€ 106
9	177,9 cm	€ 7.400	€ 7.670	€ 8.167	€ 8.425	€ 8.685	€ 8.943	€ 9.196	€ 9.448	€ 9.725	€ 55	€ 106
10	195,5 cm	€ 7.649	€ 7.922	€ 8.421	€ 8.692	€ 8.966	€ 9.240	€ 9.510	€ 9.780	€ 10.062	€ 55	€ 106
11	213,1 cm	€ 7.898	€ 8.175	€ 8.674	€ 8.958	€ 9.247	€ 9.537	€ 9.824	€ 10.112	€ 10.400	€ 55	€ 106
12	230,7 cm	€ 8.146	€ 8.427	€ 8.922	€ 9.225	€ 9.530	€ 9.833	€ 10.142	€ 10.439	€ 10.741	€ 55	€ 106
13	248,3 cm	€ 8.395	€ 8.679	€ 9.179	€ 9.497	€ 9.811	€ 10.130	€ 10.459	€ 10.766	€ 11.087	€ 55	€ 106
14	265,9 cm	€ 8.643	€ 8.931	€ 9.435	€ 9.769	€ 10.093	€ 10.428	€ 10.775	€ 11.092	€ 11.433	€ 55	€ 106
15	283,5 cm	€ 8.892	€ 9.183	€ 9.687	€ 10.040	€ 10.373	€ 10.725	€ 11.092	€ 11.418	€ 11.778	€ 55	€ 106
16	301,1 cm	€ 9.141	€ 9.436	€ 9.943	€ 10.311	€ 10.654	€ 11.021	€ 11.408	€ 11.757	€ 12.123	€ 55	€ 160
17	318,7 cm	€ 9.389	€ 9.688	€ 10.195	€ 10.582	€ 10.935	€ 11.318	€ 11.724	€ 12.095	€ 12.466	€ 55	€ 160
18	336,3 cm	€ 9.638	€ 9.940	€ 10.451	€ 10.853	€ 11.215	€ 11.614	€ 12.040	€ 12.432	€ 12.809	€ 55	€ 160
19	353,9 cm	€ 9.887	€ 10.192	€ 10.706	€ 11.114	€ 11.495	€ 11.911	€ 12.355	€ 12.765	€ 13.152	€ 55	€ 160
BP1-AW	Covering	€ 55	€ 55	€ 55	€ 55	€ 55	€ 55	€ 55	€ 55	€ 55		
BP2-AW	Wall Bracket	€ 106	€ 106	€ 106	€ 106	€ 106	€ 106	€ 106	€ 160	€ 160		
Number of wall bracket		2 pcs						3 pcs				

BP1-AW	Covering Z bending for width side
BP2-BW	Wall Bracket (Plus & Prestige)
BP1-AP	Covering Z bending for projection side
BP2-BP	Wall Bracket (Plus & Prestige)

NOTES:

1. For wall installations, 3 cm must be added to the projection size.
2. For ceiling installations, 16 cm must be added to the projection size.
3. Palmiye Aluminium Coating Catalogue includes the standard colours with no extra cost. For any other type/brand/couolor of paint, price difference and additional delivery duration shall be checked from your customer representative.
4. If rain sensor is needed; For single product, a Dry contact transmitter which costs 356€, must be added to the price. For up to 5 products, a RS485 Automation interface Dry contact transmitter which costs 1087€ must be added to the price.
5. Hanging models can be made as wall/ceiling connections, cannot be freestanding.
6. For wall installed products, a wall bracket is required in every 150cm.

OPTIONS

BP4	Perimeter LED	€ 83	lm
BP4-RGB	Perimeter RGB LED	€ 91	lm
BP4-RGBWW	Perimeter RGBWW LED	€ 104	lm
BP5-A	"Extra Pillar (120x120x3mm - Al)"	€ 324	set
FS19	Fix louver	€ 72	lm
BP8	Sun Sensor (SUNIS) (with Universal Receiver RTS)	€ 961	pcs
BP9	Wind Sensor (EOLIS RTS) (with Universal Receiver RTS)	€ 638	pcs
BP10	Sun and Wind Sensor (SOLIRIS RTS) (with Universal Receiver RTS)	€ 676	pcs
BP11	Rain Sensor (ONDEIS) (with Universal Receiver RTS) ⁶	€ 912	pcs
FS30	CONNEXOON	€ 510	pcs
BP12-C1	Hanging (Right or Left Side)	€ 697	set
BP12-C2	Hanging (Front)	€ 683	set
BP12-C3	Hanging (Module)	€ 777	set
FS28-1	Stainless steel chain - 100 cm 1m	€ 76	lm
FS28-2	Stainless steel chain - 200 cm 2m	€ 149	lm
FS28-3	Stainless steel chain - 300 cm 3m	€ 223	lm
FS28-4	Stainless steel chain - 400 cm 4m	€ 297	lm

STEEL CONSTRUCTION

Beam Group		
120x120x3mm St	€ 346	lm
120x120x5mm St	€ 478	lm
150x150x3mm St	€ 433	lm
150x150x5mm St	€ 606	lm
150x150x6mm St	€ 717	lm
150x200x3mm St	€ 506	lm
150x200x5mm St	€ 760	lm
150x200x6mm St	€ 901	lm
150x250x6mm St	€ 1.039	lm
150x250x8mm St	€ 1.420	lm
200x200x6mm St	€ 1.038	lm
200x300x6mm St	€ 1.313	lm
200x300x8mm St	€ 1.786	lm

Pillar Group

120x120x3mm St	€ 547	set
120x120x5mm St	€ 956	set
150x150x3mm St	€ 687	set
150x150x5mm St	€ 1.214	set
200x200x6mm St	€ 1.757	set

* For more steel sections, please refer to our component list.



palmiyeglobal.com