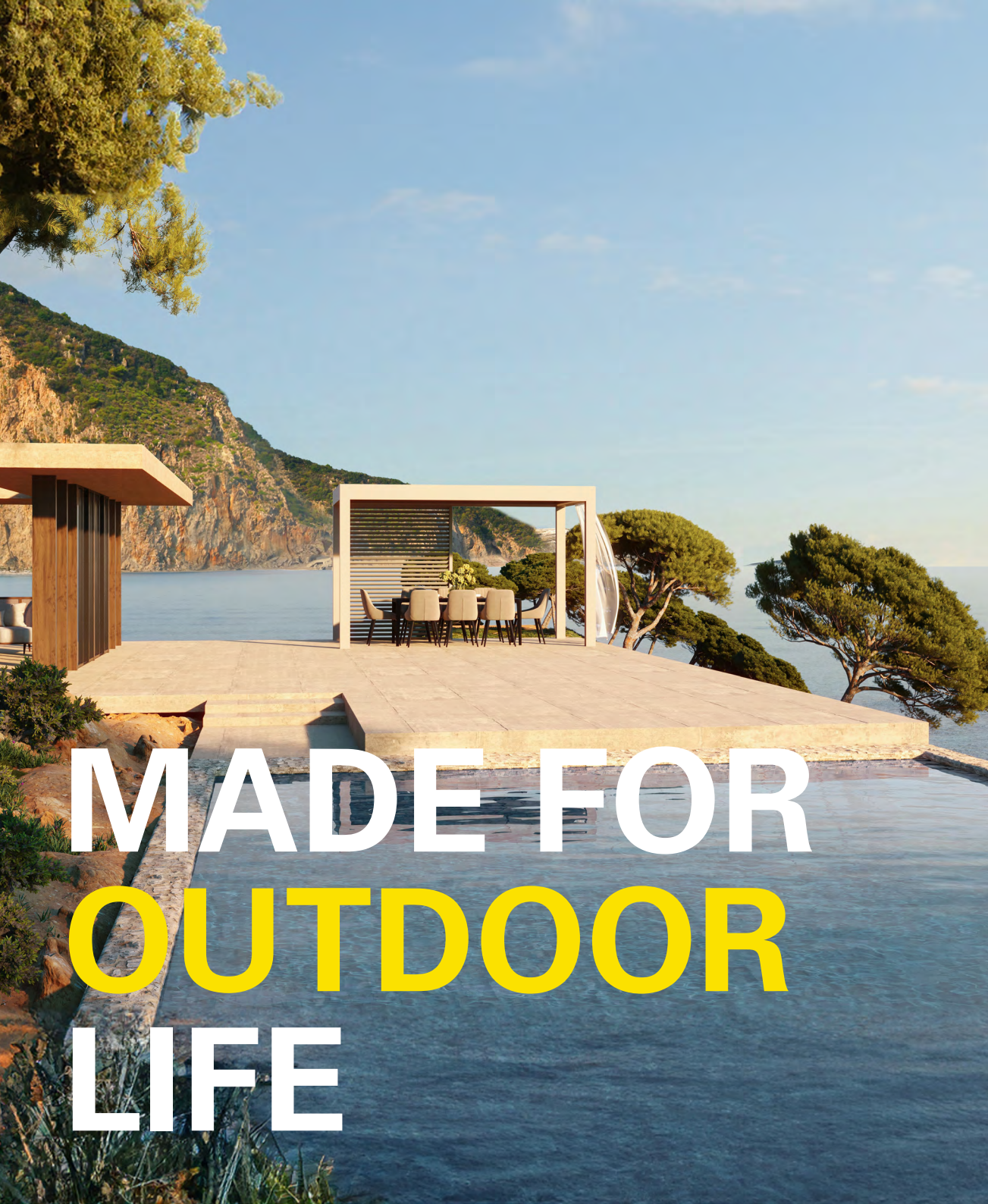




FABRIC PERGOLAS

PRICE LIST / 2026

MADE FOR OUTDOOR LIFE



MADE FOR OUTDOOR LIFE

INDEX

04

Silver

90

Coral Twin

22

Silver Twin

112

Coral Hanging

36

Silver Hanging

138

Coral Twin Hanging

62

Silver Twin Hanging

148

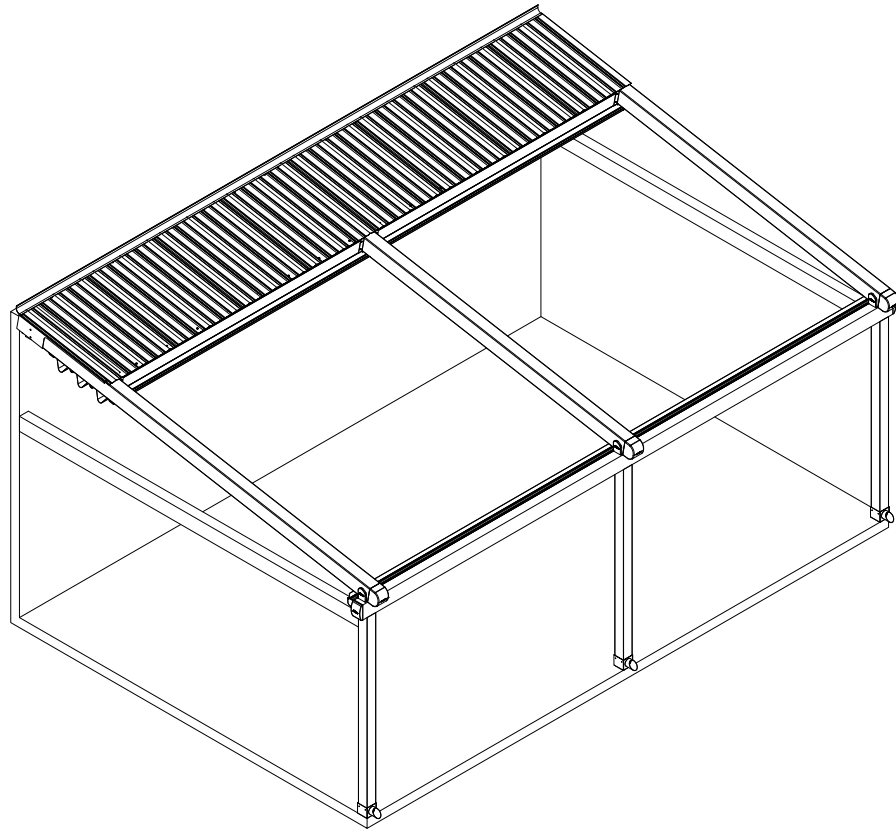
Satin S

72

Coral

154

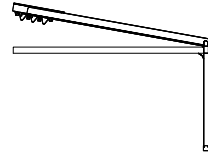
Legend



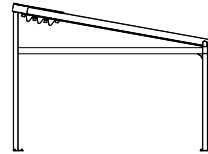
SILVER

PRODUCT FORMS

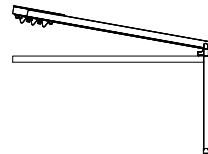
- **SILVER** Wall / Ceiling
-



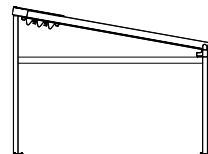
- **SILVER** Freestanding
-



- **SILVER Compact** Wall / Ceiling
-

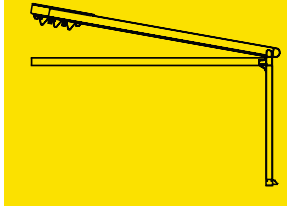


- **SILVER Compact** Freestanding
-



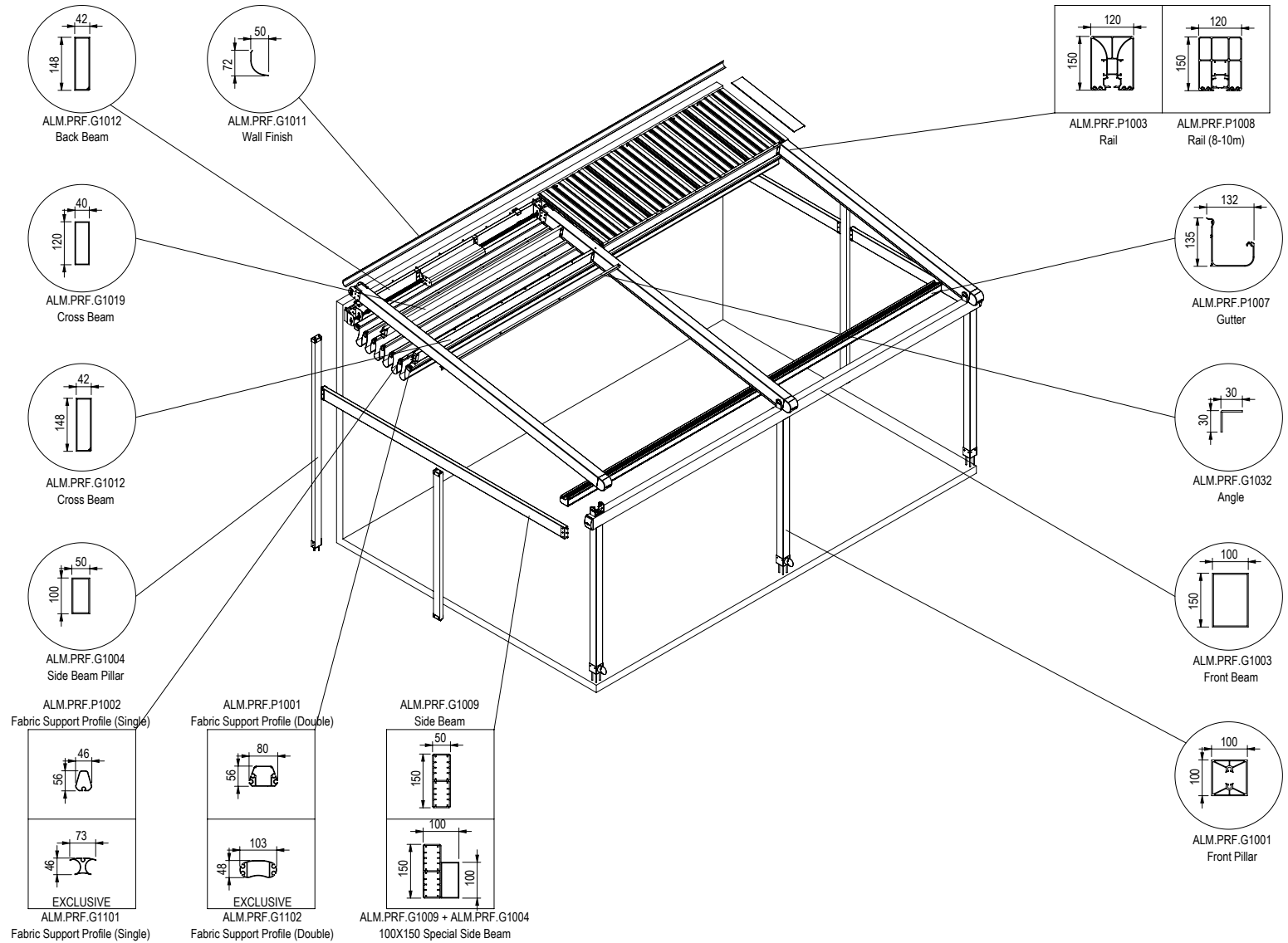
SILVER

Wall / Ceiling



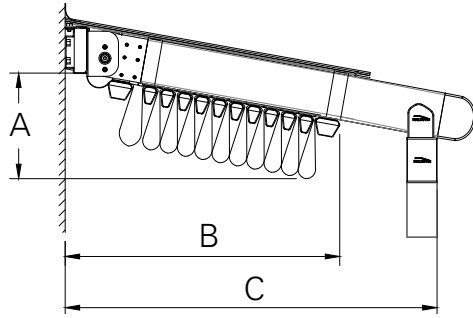
MAXIMUM DIMENSIONS

	WIDTH	PROJECTION
2 RAILS	450 cm	1000 cm
3 RAILS	900 cm	1000 cm
4 RAILS	1300 cm	700 cm



TECHNICAL FEATURES

COLLECTED FABRIC DIMENSIONS



Projection cm

No of Fabric Support Profiles	185	235	284	334	383	433	482	532	581	631	680	729	779	828	878	927	977	C
4	34																	61
5		35																68
6			36															74
7				37														81
8					38													87
9						39												94
10							40											100
11								41										107
12									42									113
14										44								126
16											45							139
17												46						146
18													47					152
19														48				159
20															49			165
																50		172
																	51	172

*Calculated according to a slope of 15%

DRAINAGE CALCULATION

Type	Max. m ²
Full	39 m ² /pc
Half	18 m ² /pc

* per drainage

There should be at least one drainage, each 8 m length gutter.

MINIMUM SLOPE CHART

Slope	Rail Center										
	200	225	250	275	300	325	350	375	400	425	450
6,4-7,9%	16	19	21	24	26	28	30	33	35	38	40
7,4-8,8%	20	23	26	29	31	34	37	40	42	45	48
8,4-9,7%	23	27	30	34	37	40	43	46	49	53	56
9,4-10,8%	27	31	35	39	42	46	49	53	57	61	64
10,4-12%	32	36	40	44	48	52	56	60	64	69	73
11,2-12,7%	36	41	45	50	54	59	63	68	72	77	81
12-13,4%	40	45	50	55	60	65	70	75	80	85	90
13-14,5%	44	50	55	61	66	72	77	83	88	94	99
14-15,7%	49	55	61	67	72	78	84	90	96	102	108
15-16,6%	54	60	66	73	79	85	91	98	104	111	117
16-17,6%	59	66	72	79	85	92	99	106	112	119	126
	63	70	77	85	92	99	106	114	121	129	136
	67	75	82	91	99	106	113	122	130	138	146
	71	79	87	97	106	113	120	130	139	148	156
	75	84	92	103	113	120	127	138	148	157	166
	79	88	97	109	120	127	134	146	157	167	176

*Note: Max. slope can be up to 25%

WIND RESISTANCE

For back height of system 30 cm should be added to slope value.

PROJECTION (cm)	WIDTH (cm)																	
	450	500	550	600	650	700	750	800	850	900	950	1000	1050	1100	1150	1200	1250	1300
400	11	11	11	11	11	11	11	11	11	11	11	11	11	11	11	11	11	11
450	11	11	11	11	11	11	11	11	10	10	11	11	11	11	11	11	11	11
500	11	11	11	11	11	10	10	10	10	9	11	11	11	11	11	11	11	11
550	11	11	11	10	10	10	9	9	9	9	11	11	11	11	10	10	10	10
600	11	10	10	10	10	9	9	8	8	8	11	10	10	10	10	10	10	10
650	10	10	9	9	9	9	9	8	8	8	10	10	9	9	9	9	9	9
700	10	9	9	9	9	8	8	8	8	8	10	9	9	9	9	9	9	9
750	9	9	8	8	8	8	8	7	7	7	9	9	8	8	8	8	8	8
800	9	8	8	8	8	7	7	7	7	7	9	8	8	8	8	8	8	8
850	8	8	8	8	7	7	7	7	7	7	8	8	8	8	8	8	8	8
900	8	8	7	7	7	7	7	7	6	6	8	8	7	7	7	7	7	7
950	7	7	7	7	7	6	6	6	6	6	7	7	7	7	7	7	7	7
1000	7	7	7	6	6	6	6	6	6	6	7	7	7	7	7	7	7	7

All sides open

PROJECTION (cm)	WIDTH (cm)																		
	450	500	550	600	650	700	750	800	850	900	950	1000	1050	1100	1150	1200	1250	1300	
400	11	11	10	10	10	9	9	9	9	8	8	11	11	10	10	10	10	9	9
450	11	10	10	10	10	9	9	9	9	8	8	11	10	10	10	10	10	9	9
500	10	10	10	10	10	9	9	9	9	8	8	10	10	10	10	10	10	9	9
550	10	10	10	10	10	9	9	9	9	8	8	10	10	10	10	10	10	9	9
600	10	9	9	9	9	9	9	9	9	8	8	9	9	9	9	9	9	9	9
650	9	9	9	9	9	9	9	9	9	8	8	8	9	9	9	9	9	9	9
700	9	9	9	9	9	9	9	9	9	8	8	8	9	9	9	9	9	9	9
750	9	9	9	9	9	8	8	8	8	8	8	9	9	9	9	9	9	8	8
800	8	8	8	8	8	8	8	8	8	8	8	8	8	8	8	8	8	8	8
850	8	8	8	8	8	8	8	8	8	8	8	8	8	8	8	8	8	8	8
900	8	8	8	8	8	8	8	8	8	8	8	8	8	8	8	8	8	8	8
950	8	8	8	8	8	8	8	8	8	8	8	8	8	8	8	8	8	8	8
1000	8	8	8	8	8	8	8	8	8	8	8	8	8	8	8	8	8	8	8

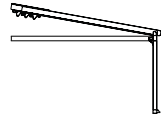
With side enclosure

*The values are given according to the Beaufort scale.

**Calculated for Products with a front height of 250 cm according to Eurocode EN 1991-1-4 Terrain Category 4.

*** You can ask for new calculations for special designs.

SILVER Wall / Ceiling



Projection	Width																				FS4	FS9	FS9-S	FS9-2		
	2 RAILS					3 RAILS									4 RAILS											
	250 cm	300 cm	350 cm	400 cm	450 cm	500 cm	550 cm	600 cm	650 cm	700 cm	750 cm	800 cm	850 cm	900 cm	950 cm	1000 cm	1050 cm	1100 cm	1150 cm	1200 cm					1250 cm	1300 cm
200 cm	€ 6.752	€ 7.081	€ 7.543	€ 8.014	€ 8.345	€ 9.801	€ 10.123	€ 10.445	€ 11.054	€ 11.325	€ 11.549	€ 11.867	€ 12.187	€ 12.507	€ 14.114	€ 14.428	€ 14.747	€ 15.065	€ 15.385	€ 15.632	€ 16.057	€ 16.550	€ 1.152	€ 236	€ 313	€ 185
250 cm	€ 7.049	€ 7.554	€ 8.005	€ 8.347	€ 8.683	€ 10.281	€ 10.790	€ 11.119	€ 11.569	€ 11.850	€ 12.087	€ 12.590	€ 13.096	€ 13.250	€ 14.805	€ 15.132	€ 15.636	€ 15.963	€ 16.294	€ 16.548	€ 16.988	€ 17.490	€ 1.272	€ 284	€ 391	€ 217
300 cm	€ 7.569	€ 8.134	€ 8.641	€ 9.041	€ 9.440	€ 11.243	€ 11.812	€ 12.205	€ 12.712	€ 13.048	€ 13.347	€ 13.908	€ 14.477	€ 14.694	€ 16.414	€ 16.803	€ 17.368	€ 17.754	€ 18.146	€ 18.452	€ 18.952	€ 19.512	€ 1.391	€ 333	€ 469	€ 248
350 cm	€ 8.041	€ 8.450	€ 8.970	€ 9.547	€ 9.954	€ 11.910	€ 12.318	€ 12.896	€ 13.419	€ 13.759	€ 14.070	€ 14.647	€ 15.234	€ 15.454	€ 17.470	€ 17.870	€ 18.274	€ 18.672	€ 19.246	€ 19.563	€ 20.074	€ 20.474	€ 1.511	€ 381	€ 548	€ 280
400 cm	€ 8.350	€ 8.770	€ 9.301	€ 9.889	€ 10.309	€ 12.405	€ 12.823	€ 13.412	€ 13.945	€ 14.299	€ 14.621	€ 15.208	€ 15.799	€ 16.039	€ 18.181	€ 18.594	€ 19.008	€ 19.419	€ 20.004	€ 20.330	€ 20.852	€ 21.263	€ 1.631	€ 430	€ 626	€ 311
450 cm	€ 8.667	€ 9.098	€ 9.641	€ 10.239	€ 10.670	€ 12.914	€ 13.345	€ 13.947	€ 14.490	€ 14.854	€ 15.188	€ 15.786	€ 16.390	€ 16.639	€ 18.910	€ 19.334	€ 19.759	€ 20.183	€ 20.783	€ 21.112	€ 21.646	€ 22.068	€ 1.750	€ 479	€ 704	€ 343
500 cm	€ 8.976	€ 9.420	€ 9.972	€ 10.583	€ 11.027	€ 13.412	€ 13.852	€ 14.465	€ 15.025	€ 15.394	€ 15.739	€ 16.350	€ 16.968	€ 17.226	€ 19.624	€ 20.061	€ 20.497	€ 20.932	€ 21.541	€ 21.883	€ 22.428	€ 22.862	€ 1.870	€ 527	€ 782	€ 374
550 cm	€ 9.510	€ 10.178	€ 10.789	€ 11.458	€ 11.958	€ 14.568	€ 15.245	€ 15.743	€ 16.537	€ 16.963	€ 17.368	€ 18.041	€ 18.719	€ 19.214	€ 21.579	€ 22.101	€ 22.773	€ 23.270	€ 23.939	€ 24.328	€ 24.933	€ 25.602	€ 1.990	€ 576	€ 860	€ 406
600 cm	€ 9.832	€ 10.510	€ 11.136	€ 11.814	€ 12.325	€ 15.079	€ 15.770	€ 16.281	€ 17.085	€ 17.519	€ 17.935	€ 18.621	€ 19.310	€ 19.817	€ 22.337	€ 22.844	€ 23.528	€ 24.035	€ 24.715	€ 25.115	€ 25.731	€ 26.411	€ 2.109	€ 625	€ 939	€ 438
650 cm	€ 10.145	€ 10.836	€ 11.470	€ 12.159	€ 12.685	€ 15.583	€ 16.285	€ 16.808	€ 17.623	€ 17.992	€ 18.415	€ 19.108	€ 19.801	€ 20.323	€ 23.061	€ 23.582	€ 24.186	€ 24.793	€ 25.486	€ 25.893	€ 26.522	€ 27.213	€ 2.229	€ 673	€ 1.017	€ 469
700 cm	€ 10.459	€ 11.161	€ 11.805	€ 12.508	€ 13.043	€ 16.088	€ 16.799	€ 17.337	€ 18.165	€ 18.537	€ 18.975	€ 19.681	€ 20.390	€ 20.915	€ 23.784	€ 24.315	€ 25.021	€ 25.551	€ 26.259	€ 26.671	€ 27.313	€ 28.015	€ 2.349	€ 722	€ 1.095	€ 501
750 cm	€ 10.776	€ 11.489	€ 12.145	€ 12.856	€ 13.401	€ 16.592	€ 17.315	€ 17.863	€ 18.705	€ 19.084	€ 19.532	€ 20.248	€ 20.968	€ 21.508	€ 24.510	€ 25.051	€ 25.768	€ 26.311	€ 27.028	€ 27.451	€ 28.102		€ 2.468	€ 1.046	€ 1.705	€ 1.064
800 cm	€ 11.309	€ 12.081	€ 12.794	€ 13.565	€ 14.170	€ 17.574	€ 18.357	€ 18.964	€ 19.866	€ 20.299	€ 20.808	€ 21.583	€ 22.363	€ 22.966	€ 26.146	€ 26.746	€ 27.524	€ 28.126	€ 28.904	€ 29.379			€ 2.588	€ 1.095	€ 1.784	€ 1.096
850 cm	€ 11.825	€ 12.610	€ 13.335	€ 14.119	€ 14.735	€ 18.196	€ 18.993	€ 19.611	€ 20.528	€ 20.968	€ 21.486	€ 22.273	€ 23.066	€ 23.680	€ 26.914	€ 27.524	€ 28.316	€ 28.928	€ 29.719				€ 2.708	€ 1.144	€ 1.862	€ 1.127
900 cm	€ 12.148	€ 12.934	€ 13.659	€ 14.443	€ 15.059	€ 18.520	€ 19.317	€ 19.935	€ 20.852	€ 21.292	€ 21.809	€ 22.597	€ 23.390	€ 24.004	€ 27.238	€ 27.848	€ 28.640	€ 29.252					€ 2.827	€ 1.192	€ 1.940	€ 1.159
950 cm	€ 12.472	€ 13.258	€ 13.983	€ 14.767	€ 15.383	€ 18.844	€ 19.641	€ 20.258	€ 21.175	€ 21.616	€ 22.133	€ 22.921	€ 23.714	€ 24.328	€ 27.562	€ 28.172	€ 28.963						€ 2.947	€ 1.241	€ 2.018	€ 1.191
1000 cm	€ 12.796	€ 13.582	€ 14.307	€ 15.076		€ 19.168	€ 19.965	€ 20.582	€ 21.499	€ 21.939	€ 22.457	€ 23.245	€ 24.038	€ 24.652	€ 27.886	€ 28.496							€ 3.067	€ 1.290	€ 2.097	€ 1.222
FS3	€ 234	€ 245	€ 267	€ 294	€ 318	€ 342	€ 367	€ 391	€ 415	€ 439	€ 565	€ 589	€ 613	€ 638	€ 664	€ 688	€ 712	€ 737	€ 761	€ 785	€ 810	€ 834				
FS5-A	€ 43	€ 54	€ 64	€ 73	€ 84	€ 93	€ 105	€ 114	€ 125	€ 135	€ 146	€ 155	€ 166	€ 176	€ 187	€ 196	€ 208	€ 217	€ 228	€ 237	€ 249	€ 258				
FS5-E	€ 59	€ 75	€ 88	€ 100	€ 116	€ 129	€ 144	€ 157	€ 173	€ 185	€ 201	€ 214	€ 229	€ 242	€ 257	€ 270	€ 286	€ 299	€ 314	€ 327	€ 342	€ 355				

Side beam pillar is included in the price

FS3	Gutter System
FS5-A	Additional Fabric Support Profile (Standard)
FS5-E	Additional Fabric Support Profile (3 Axis)
FS4	Additional Rail - Al.Plus- 120x150mm
FS8	Lighting System
FS9	Side Beam - Al. - 50x150mm
FS9-S	Side Beam - Al. - 100x150mm (Special)
FS9-2	Side Beam - Al. - 100x150mm

FS8	
FS8-S	SPOT
FS8-L	LINEAR
FS8-LR (RGB)	LINEAR (RGB)

LED TYPE & MODULE		
2 LED	3 LED	4 LED
€ 132	€ 160	€ 189
€ 189	€ 245	
€ 240	€ 311	

Notes:

- Any side beam is not included in the price.
- FS Flexy Plain/3D or Stam 6002 is included in the price.
- Motor and Remote control is included in the price.
- Palmiye Aluminium Coating Catalogue includes the standard colours with no extra cost. For any other type/brand/color of paint, price difference and additional delivery duration shall be checked from your customer representative.
- Standard fabric support profile plastic colours are specified in Palmiye Aluminium Coating Catalogue.
- If side beam used and projection is bigger than 700 cm, a side beam pillar also needs to be added up to the rail (FS15 or FS15-B). Price is included in FS9 side beam option price.

DEDUCTION

Price deduction is applicable only for pillars and beam. Deduction amount shall be considered as 70% of related option price.

OPTIONS

FS10	Extra pillar (100x100mm Al.)	€ 532	pcs
FS10-ST3	Extra pillar (100x100x3mm St.)	€ 510	pcs
FS10-ST5	Extra pillar (100x100x5mm St.)	€ 744	pcs
FS11	Deco ceiling cover	€ 70	m ²
FS15	Side beam pillar (50x100mm - Al)	€ 276	pcs
FS15-B	Side beam pillar (100x100mm - Al)	€ 532	pcs
FS19	Fix louver	€ 73	lm
FS23	External Square Downpipe	€ 326	pcs
FS24	W96 Ceiling Cover	€ 81	m ²
FS25 ¹	Fabric support profile special color	€ 17	m ²
FS26	Exclusive fabric difference (up to 800cm width)	€ 48	m ²
FS29-1	Sun Sensor (SUNIS) (for single motor)	€ 604	pcs
FS29-1S	Sun Sensor (SUNIS) (for synchronized motor)	€ 962	pcs
FS29-2	Wind Sensor (EOLIS RTS) (for single motor)	€ 284	pcs
FS29-2S	Wind Sensor (EOLIS RTS) (for synchronized motor)	€ 639	pcs
FS29-3	Sun and Wind Sensor (SOLIRIS RTS) (for single motor)	€ 322	pcs
FS29-3S	Sun and Wind Sensor (SOLIRIS RTS) (for synchronized motor)	€ 676	pcs
FS29-4 ²	Rain Sensor (ONDEIS) (for single motor)	€ 558	pcs
FS29-4S ³	Rain Sensor (ONDEIS) (for synchronized motor)	€ 912	pcs
FS30	CONNEXOON	€ 510	pcs
		€ 510	

Notes:

1. Fabric support profiles can be painted in the same color as the general construction. No fee is paid for this process. However, the plastic color should be specified from our standard plastic colours in Palmiye Color Chart.
2. For one product, a dry contact transmitter costing 358€, must be added.
3. Up to 5 products, a RS485 Automation interface dry contact transmitter costing 1094€, must be added.

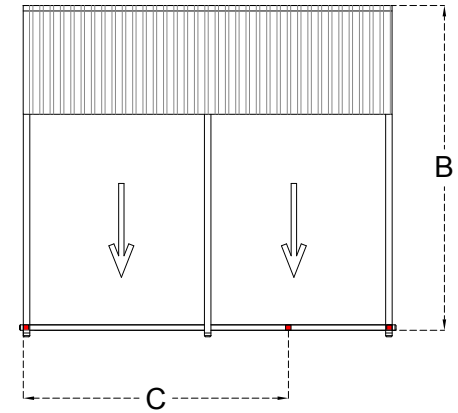
EXTENSIONS

Rail	Plus - 120x150mm	€ 328	lm
Beam	Al. 42x150mm	€ 102	lm
Beam	Al. 50x150mm	€ 180	lm
Beam	Al. 100x150mm	€ 151	lm
Beam	St. 100x150x3mm	€ 310	lm
Beam	St. 100x150x5mm	€ 377	lm
Beam	St. 100x200x3mm	€ 315	lm
Beam	St. 100x200x5mm	€ 449	lm
Fabric protection cover	Al. - 63x___cm	€ 59	m ²
Gutter	Special Profile	€ 44	lm
Pillar	Al. 100x100mm	€ 168	lm
Pillar	St. 100x100x3mm	€ 211	lm
Pillar	St. 100x100x5mm	€ 377	lm
Pillar	St. 150x150x3mm	€ 427	lm
Pillar	St. 150x150x5mm	€ 598	lm

*Max. Al. Front pillar (Al. 100x100mm) height is 280cm

*Max. St 3mm. Front pillar (St. 100x100x3mm) height is 380cm

*Max. St. 5mm Front pillar (St. 100x100x5mm) height is 480cm



PRICE DIFFERENCE

		BEAM GROUP		
		Standard	Al. 42x150mm	
Back Beam	to		Al. 50x150mm	€ 78 lm
			St. 50x150x3mm	€ 101 lm
			St. 50x150x5mm	€ 187 lm
			Al. 100x150mm	€ 47 lm
			St. 100x150x3mm	€ 204 lm
			St. 100x150x5mm	€ 277 lm
			St. 100x200x3mm	€ 209 lm
		St. 100x200x5mm	€ 349 lm	
		Standard	Al. 100x150mm	
Front Beam	to		St. 100x150x3mm	€ 155 lm
			St. 100x150x5mm	€ 231 lm
			St. 100x200x3mm	€ 160 lm
			St. 100x200x5mm	€ 302 lm
		PILLAR GROUP		
		Standard	Al. 100x100mm	
Front Pillar	to		St. 100x100x3mm	€ 108 pcs
			St. 100x100x5mm	€ 443 pcs
			St. 150x150x3mm	€ 677 pcs
			St. 150x150x5mm	€ 1.197 pcs

FRONT PILLAR POSITION CHANGE

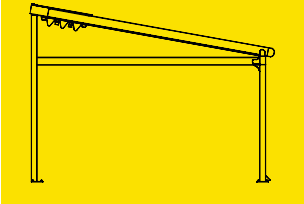
		C				
		500	550	600	650	700
B	400					
	500					
	600					
	700					
	800					
	1000					

(Construction price difference needs to be added.
The deflection doesn't evaluate on this chart.)

	FRONT PILLAR : Al. 100x100x3mm
	FRONT BEAM : Al. 100x150x3mm
	FRONT PILLAR : St. 100x100x3mm
	FRONT BEAM : St. 100x150x3mm
	FRONT PILLAR : St. 100x100x5mm
	FRONT BEAM : St. 100x150x5mm

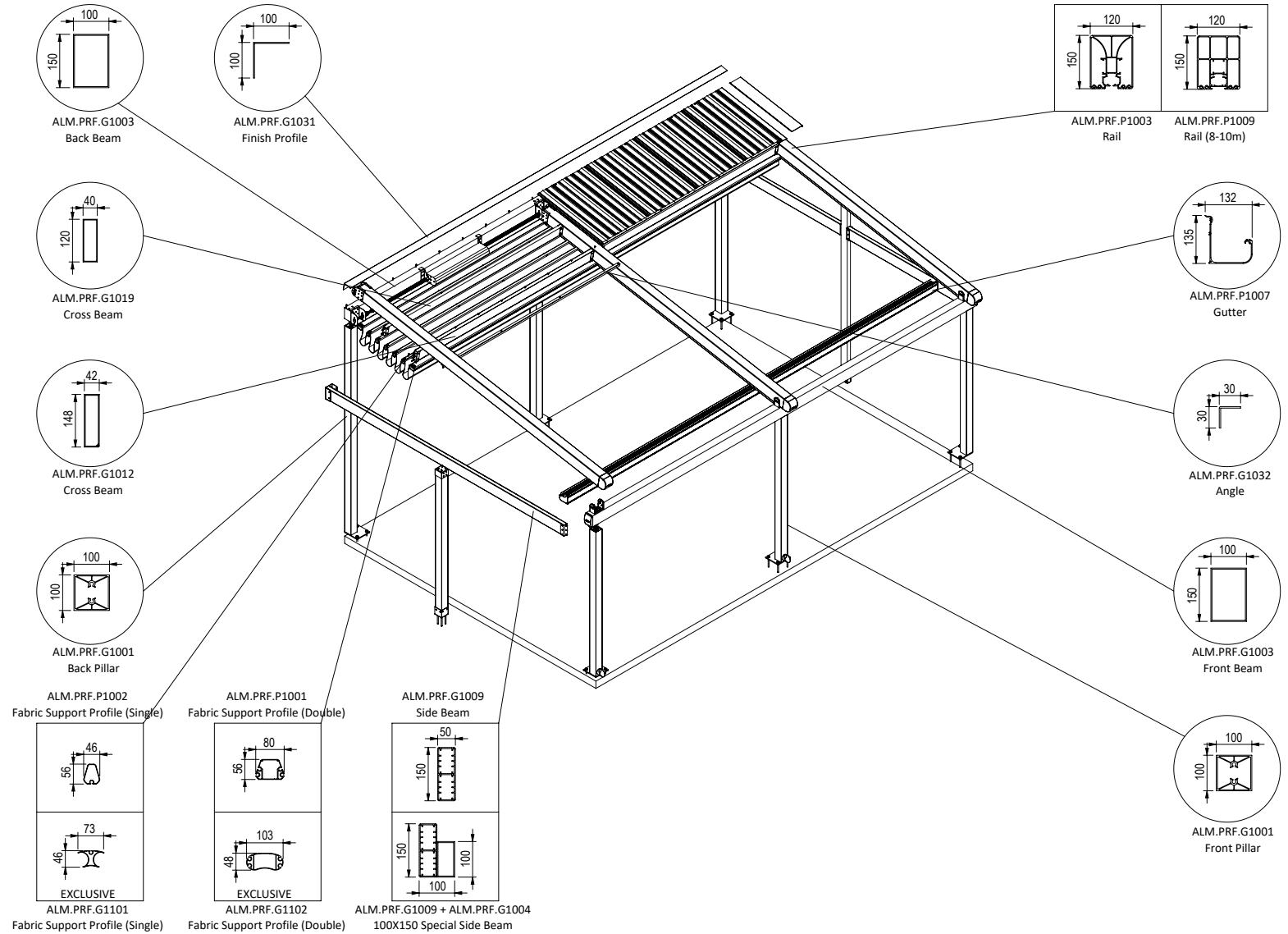
SILVER

Freestanding



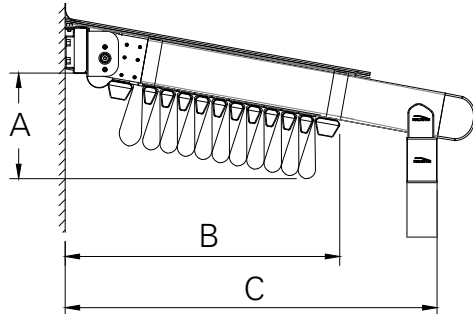
MAXIMUM DIMENSIONS

	WIDTH	PROJECTION
2 RAILS	450 cm	1000 cm
3 RAILS	900 cm	1000 cm
4 RAILS	1300 cm	700 cm



TECHNICAL FEATURES

COLLECTED FABRIC DIMENSIONS



Projection cm

No of Fabric Support Profiles	185	235	284	334	383	433	482	532	581	631	680	729	779	828	878	927	977	C
4	34																	61
5		35																68
6			36															74
7				37														81
8					38													87
9						39												94
10							40											100
11								41										107
12									42									113
14										44								126
16											45							139
17												46						146
18													47					152
19														48				159
20															49			165
																50		172
																	51	172

*Calculated according to a slope of 15%

DRAINAGE CALCULATION

Type	Max. m ²
Full	39 m ² /pc
Half	18 m ² /pc

* per drainage

There should be at least one drainage, each 8 m length gutter.

MINIMUM SLOPE CHART

Slope	Rail Center										
	200	225	250	275	300	325	350	375	400	425	450
6,4-7,9%	16	19	21	24	26	28	30	33	35	38	40
7,4-8,8%	20	23	26	29	31	34	37	40	42	45	48
8,4-9,7%	23	27	30	34	37	40	43	46	49	53	56
9,4-10,8%	27	31	35	39	42	46	49	53	57	61	64
10,4-12%	32	36	40	44	48	52	56	60	64	69	73
11,2-12,7%	36	41	45	50	54	59	63	68	72	77	81
12-13,4%	40	45	50	55	60	65	70	75	80	85	90
13-14,5%	44	50	55	61	66	72	77	83	88	94	99
14-15,7%	49	55	61	67	72	78	84	90	96	102	108
15-16,6%	54	60	66	73	79	85	91	98	104	111	117
16-17,6%	59	66	72	79	85	92	99	106	112	119	126
	63	70	77	85	92	99	106	114	121	129	136
	67	75	82	91	99	106	113	122	130	138	146
	71	79	87	97	106	113	120	130	139	148	156
	75	84	92	103	113	120	127	138	148	157	166
	79	88	97	109	120	127	134	146	157	167	176

*Note: Max. slope can be up to 25%

WIND RESISTANCE

For back height of system 30 cm should be added to slope value.

PROJECTION (cm)	WIDTH (cm)																	
	450	500	550	600	650	700	750	800	850	900	950	1000	1050	1100	1150	1200	1250	1300
400	11	11	11	11	11	11	11	11	11	11	11	11	11	11	11	11	11	11
450	11	11	11	11	11	11	11	11	10	10	11	11	11	11	11	11	11	11
500	11	11	11	11	11	10	10	10	10	9	11	11	11	11	11	11	11	11
550	11	11	11	10	10	10	9	9	9	9	11	11	11	11	10	10	10	10
600	11	10	10	10	10	9	9	8	8	8	11	10	10	10	10	10	10	10
650	10	10	9	9	9	9	9	8	8	8	10	10	9	9	9	9	9	9
700	10	9	9	9	9	8	8	8	8	8	10	9	9	9	9	9	9	9
750	9	9	8	8	8	8	8	7	7	7	9	9	8	8	8	8	8	8
800	9	8	8	8	8	7	7	7	7	7	9	8	8	8	8	8	8	8
850	8	8	8	8	7	7	7	7	7	7	8	8	8	8	8	8	8	8
900	8	8	7	7	7	7	7	7	6	6	8	8	7	7	7	7	7	7
950	7	7	7	7	7	6	6	6	6	6	7	7	7	7	7	7	7	7
1000	7	7	7	6	6	6	6	6	6	6	7	7	7	7	7	7	7	7

All sides open

PROJECTION (cm)	WIDTH (cm)																		
	450	500	550	600	650	700	750	800	850	900	950	1000	1050	1100	1150	1200	1250	1300	
400	11	11	10	10	10	9	9	9	9	8	8	11	11	10	10	10	10	9	9
450	11	10	10	10	10	9	9	9	9	8	8	11	10	10	10	10	10	9	9
500	10	10	10	10	10	9	9	9	9	8	8	10	10	10	10	10	10	9	9
550	10	10	10	10	10	9	9	9	9	8	8	10	10	10	10	10	10	9	9
600	10	9	9	9	9	9	9	9	8	8	8	9	9	9	9	9	9	9	9
650	9	9	9	9	9	9	9	9	8	8	8	9	9	9	9	9	9	9	9
700	9	9	9	9	9	9	9	9	8	8	8	9	9	9	9	9	9	9	9
750	9	9	9	9	8	8	8	8	8	8	8	9	9	9	9	9	9	8	8
800	8	8	8	8	8	8	8	8	8	8	8	8	8	8	8	8	8	8	8
850	8	8	8	8	8	8	8	8	8	8	8	8	8	8	8	8	8	8	8
900	8	8	8	8	8	8	8	8	8	8	8	8	8	8	8	8	8	8	8
950	8	8	8	8	8	8	8	8	8	8	8	8	8	8	8	8	8	8	8
1000	8	8	8	8	7	7	7	7	7	7	8	8	8	8	8	8	8	8	8

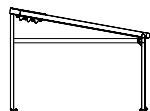
With side enclosure

*The values are given according to the Beaufort scale.

**Calculated for Products with a front height of 250 cm according to Eurocode EN 1991-1-4 Terrain Category 4.

*** You can ask for new calculations for special designs.

SILVER Freestanding



Projection	Width					2 RAILS										3 RAILS										4 RAILS										FS4	FS9-SPD
	250 cm	300 cm	350 cm	400 cm	450 cm	500 cm	550 cm	600 cm	650 cm	700 cm	750 cm	800 cm	850 cm	900 cm	950 cm	1000 cm	1050 cm	1100 cm	1150 cm	1200 cm	1250 cm	1300 cm															
200 cm	€ 8.339	€ 8.690	€ 9.174	€ 9.667	€ 10.020	€ 12.008	€ 12.351	€ 12.695	€ 13.326	€ 13.619	€ 13.864	€ 14.204	€ 14.546	€ 14.888	€ 17.027	€ 17.363	€ 17.703	€ 18.043	€ 18.385	€ 18.654	€ 19.102	€ 19.616	€ 1.152	€ 77													
250 cm	€ 8.730	€ 9.258	€ 9.730	€ 10.094	€ 10.452	€ 12.582	€ 13.113	€ 13.464	€ 13.935	€ 14.239	€ 14.497	€ 15.022	€ 15.550	€ 15.726	€ 17.812	€ 18.161	€ 18.687	€ 19.036	€ 19.389	€ 19.665	€ 20.127	€ 20.651	€ 1.272	€ 107													
300 cm	€ 9.345	€ 9.932	€ 10.461	€ 10.883	€ 11.303	€ 13.638	€ 14.229	€ 14.644	€ 15.173	€ 15.531	€ 15.851	€ 16.435	€ 17.026	€ 17.264	€ 19.516	€ 19.927	€ 20.514	€ 20.921	€ 21.336	€ 21.663	€ 22.185	€ 22.767	€ 1.391	€ 136													
350 cm	€ 9.912	€ 10.343	€ 10.885	€ 11.483	€ 11.912	€ 14.400	€ 14.829	€ 15.429	€ 15.975	€ 16.337	€ 16.669	€ 17.268	€ 17.877	€ 18.119	€ 20.667	€ 21.088	€ 21.514	€ 21.934	€ 22.530	€ 22.869	€ 23.401	€ 23.823	€ 1.511	€ 166													
400 cm	€ 10.316	€ 10.758	€ 11.310	€ 11.919	€ 12.361	€ 14.989	€ 15.429	€ 16.040	€ 16.595	€ 16.971	€ 17.315	€ 17.924	€ 18.537	€ 18.799	€ 21.472	€ 21.907	€ 22.343	€ 22.776	€ 23.383	€ 23.730	€ 24.274	€ 24.707	€ 1.631	€ 196													
450 cm	€ 10.727	€ 11.179	€ 11.745	€ 12.365	€ 12.818	€ 15.593	€ 16.046	€ 16.669	€ 17.235	€ 17.620	€ 17.977	€ 18.597	€ 19.222	€ 19.493	€ 22.296	€ 22.741	€ 23.188	€ 23.634	€ 24.256	€ 24.607	€ 25.163	€ 25.607	€ 1.750	€ 225													
500 cm	€ 11.130	€ 11.596	€ 12.170	€ 12.803	€ 13.269	€ 16.185	€ 16.647	€ 17.282	€ 17.864	€ 18.255	€ 18.622	€ 19.255	€ 19.895	€ 21.075	€ 23.105	€ 23.563	€ 24.021	€ 24.478	€ 25.108	€ 25.472	€ 26.040	€ 27.730	€ 1.870	€ 255													
550 cm	€ 11.759	€ 12.448	€ 13.081	€ 13.772	€ 14.294	€ 17.436	€ 18.135	€ 18.655	€ 19.471	€ 19.918	€ 20.346	€ 21.040	€ 22.599	€ 23.157	€ 25.154	€ 25.697	€ 26.392	€ 26.910	€ 27.601	€ 28.012	€ 29.832	€ 30.565	€ 1.990	€ 284													
600 cm	€ 12.176	€ 12.876	€ 13.523	€ 14.223	€ 14.756	€ 18.042	€ 18.755	€ 19.287	€ 20.113	€ 20.569	€ 21.007	€ 21.715	€ 23.284	€ 23.855	€ 26.006	€ 26.535	€ 27.241	€ 27.770	€ 28.472	€ 28.894	€ 30.725	€ 31.468	€ 2.109	€ 314													
650 cm	€ 12.583	€ 13.296	€ 13.952	€ 14.663	€ 15.210	€ 18.640	€ 19.364	€ 19.909	€ 20.745	€ 21.136	€ 21.582	€ 23.113	€ 23.870	€ 24.455	€ 26.824	€ 27.368	€ 27.994	€ 28.623	€ 30.446	€ 30.917	€ 31.610	€ 32.365	€ 2.229	€ 344													
700 cm	€ 12.992	€ 13.716	€ 14.381	€ 15.107	€ 15.663	€ 19.240	€ 19.973	€ 20.533	€ 21.382	€ 21.776	€ 22.236	€ 23.781	€ 24.553	€ 25.142	€ 27.643	€ 28.195	€ 28.923	€ 29.475	€ 31.314	€ 31.790	€ 32.495	€ 33.261	€ 2.349	€ 373													
750 cm	€ 13.932	€ 14.667	€ 15.345	€ 16.078	€ 16.645	€ 20.367	€ 21.113	€ 21.682	€ 22.546	€ 22.947	€ 24.192	€ 24.972	€ 25.755	€ 26.764	€ 28.992	€ 29.555	€ 30.294	€ 31.926	€ 32.706	€ 33.194	€ 33.908	€ 34.622	€ 2.468	€ 659													
800 cm	€ 14.559	€ 15.354	€ 16.088	€ 16.881	€ 17.508	€ 21.444	€ 22.249	€ 22.878	€ 25.040	€ 26.300	€ 26.944	€ 27.854	€ 28.770	€ 29.914	€ 32.493	€ 34.171	€ 35.084	€ 35.822	€ 36.735	€ 37.345	€ 38.055	€ 38.765	€ 2.588	€ 689													
850 cm	€ 15.170	€ 15.978	€ 16.724	€ 17.530	€ 18.168	€ 22.161	€ 22.979	€ 23.619	€ 26.488	€ 27.063	€ 27.717	€ 28.640	€ 29.961	€ 30.723	€ 34.298	€ 35.044	€ 35.971	€ 36.718	€ 37.645	€ 38.355	€ 39.065	€ 39.775	€ 2.708	€ 718													
900 cm	€ 15.588	€ 17.030	€ 17.848	€ 18.726	€ 19.436	€ 23.602	€ 24.493	€ 25.854	€ 26.906	€ 27.482	€ 28.135	€ 29.058	€ 30.379	€ 31.142	€ 34.717	€ 35.462	€ 36.389	€ 37.137	€ 37.885	€ 38.633	€ 39.381	€ 40.129	€ 2.827	€ 748													
950 cm	€ 16.007	€ 17.448	€ 18.267	€ 19.145	€ 19.854	€ 24.020	€ 24.911	€ 26.272	€ 27.325	€ 27.900	€ 28.553	€ 29.476	€ 30.798	€ 31.560	€ 35.135	€ 35.881	€ 36.807	€ 37.555	€ 38.303	€ 39.051	€ 39.800	€ 40.548	€ 2.947	€ 777													
1000 cm	€ 16.425	€ 17.867	€ 18.685	€ 19.563	€ 20.272	€ 24.439	€ 25.937	€ 26.690	€ 30.105	€ 30.725	€ 31.423	€ 32.391	€ 33.757	€ 34.564	€ 38.777	€ 39.567	€ 40.357	€ 41.147	€ 41.937	€ 42.727	€ 43.517	€ 44.307	€ 3.067	€ 807													
FS3	€ 234	€ 245	€ 267	€ 294	€ 318	€ 342	€ 367	€ 391	€ 415	€ 439	€ 565	€ 589	€ 613	€ 638	€ 664	€ 688	€ 712	€ 737	€ 761	€ 785	€ 810	€ 834															
FS5-A	€ 43	€ 54	€ 64	€ 73	€ 84	€ 93	€ 105	€ 114	€ 125	€ 135	€ 146	€ 155	€ 166	€ 176	€ 187	€ 196	€ 208	€ 217	€ 228	€ 237	€ 249	€ 258															
FS5-E	€ 59	€ 75	€ 88	€ 100	€ 116	€ 129	€ 144	€ 157	€ 173	€ 185	€ 201	€ 214	€ 229	€ 242	€ 257	€ 270	€ 286	€ 299	€ 314	€ 327	€ 342	€ 355															

Side beam pillar is included in the price

FS3	Gutter System
FS5-A	Additional Fabric Support Profile (Standard)
FS5-E	Additional Fabric Support Profile (3 Axis)
FS4	Additional Rail - Al.Plus- 120x150mm
FS8	Lighting System
FS9-SPD	Price difference between Al. 50x150mm to Al. 100x150mm Special side beam and Al. 50x100mm to Al. 100x100mm side beam pillar

FS8	
FS8-S	SPOT
FS8-L	LINEAR
FS8-LR (RGB)	LINEAR (RGB)

LED TYPE & MODULE		
2 LED	3 LED	4 LED
€ 132	€ 160	€ 189
€ 189	€ 245	
€ 240	€ 311	

Notes:

- FS9- Side Beam (Al. 50x150mm) is included in the price for right and left side. For other option which is FS9-S (Al. 100x150mm) Special Side Beam is extra cost. The difference of the cost applies with FS9-SPD option code and for only one side of the pergola. If 100x150 mm aluminum box profile is preferred as side beam, there will be no price difference, but this should be stated in the technical drawing.
- If the projection is bigger than 700cm, a side beam pillar needs to be added up to rail (FS15 or FS15-B), FS15 Side Beam Pillar (Al. 50x100mm) included in the product price. FS15-B Side beam (Al. 100x100mm) included in FS9-SPD option.
- FS Flexy Plain/3D or Stam 6002 is included in the price.
- Motor and Remote control is included in the price.
- Palmiye Aluminium Coating Catalogue includes the standard colours with no extra cost. For any other type/brand/color of paint, price difference and additional delivery duration shall be checked from your customer representative.
- Standard fabric support profile plastic colours are specified in Palmiye Aluminium Coating Catalogue.
- In pergolas including steel front pillars, if gutter option is preferred, external water drainage points will be specified according to the Project and will be priced additionally.

DEDUCTIONS

Price deduction is applicable only for pillars and beam. Deduction amount shall be consider as 70% of related option price.

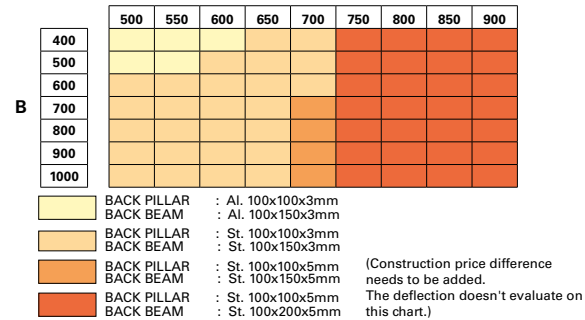
OPTIONS

FS10	Extra pillar (100x100mm Al.)	€ 532	pcs
FS10-ST3	Extra pillar (100x100x3mm St.)	€ 510	pcs
FS10-ST5	Extra pillar (100x100x5mm St.)	€ 744	pcs
FS11	Deco ceiling cover	€ 70	m ²
FS15	Side beam pillar (50x100mm - Al)	€ 276	pcs
FS15-B	Side beam pillar (100x100mm - Al)	€ 532	pcs
FS19	Fix louver	€ 73	lm
FS23	External Square Downpipe	€ 326	pcs
FS24	W96 Ceiling Cover	€ 81	m ²
FS26	Exclusive fabric difference (up to 800cm width)	€ 48	m ²
FS29-1	Sun Sensor (SUNIS) (for single motor)	€ 604	pcs
FS29-1S	Sun Sensor (SUNIS) (for synchronized motor)	€ 962	pcs
FS29-2	Wind Sensor (EOLIS RTS) (for single motor)	€ 284	pcs
FS29-2S	Wind Sensor (EOLIS RTS) (for synchronized motor)	€ 639	pcs
FS29-3	Sun and Wind Sensor (SOLIRIS RTS) (for single motor)	€ 322	pcs
FS29-3S	Sun and Wind Sensor (SOLIRIS RTS) (for synchronized motor)	€ 676	pcs
FS29-4 ^{2/3}	Rain Sensor (ONDEIS) (for single motor)	€ 558	pcs
FS29-4S ^{2/3}	Rain Sensor (ONDEIS) (for synchronized motor)	€ 912	pcs
FS30	CONNEXOON	€ 510	pcs

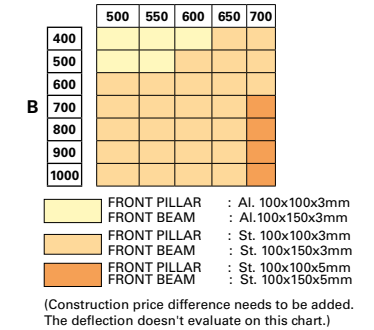
Notes:

1. Fabric support profiles can be painted in the same color as the general construction. No fee is paid for this process. However, the plastic color should be specified from our standard plastic colours in Palmiye Color Chart.
2. For one product, a dry contact transmitter costing 358€, must be added.
3. Up to 5 products, a RS485 Automation interface dry contact transmitter costing 1094€, must be added.

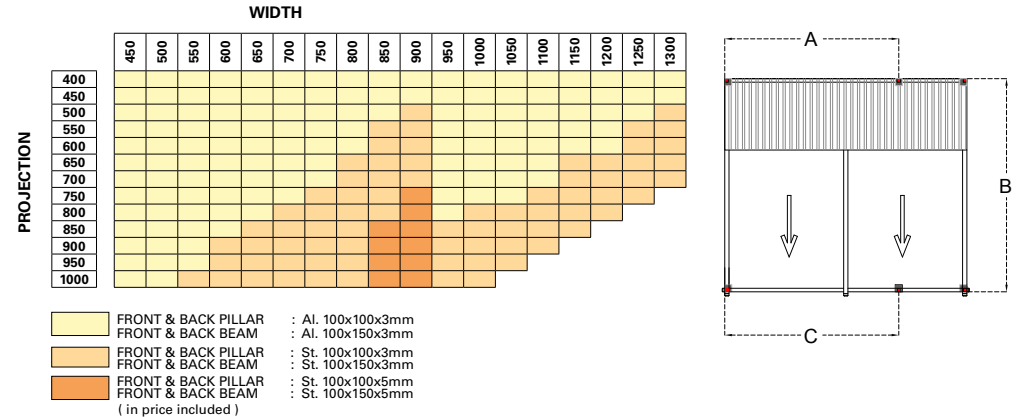
BACK PILLAR POSITION CHANGE



FRONT PILLAR POSITION CHANGE



STANDARD CONSTRUCTION



EXTENSIONS

Rail	Plus - 12150mm	€ 328	lm
Beam	Al. 100x150mm	€ 151	lm
Beam	St. 100x150x3mm	€ 310	lm
Beam	St. 100x150x5mm	€ 377	lm
Beam	St. 100x200x3mm	€ 315	lm
Beam	St. 100x200x5mm	€ 449	lm
Fabric protection cover	Al. - 63x__cm	€ 59	m ²
Gutter	Special Profile	€ 44	lm
Pillar	Al. 100x100mm	€ 168	lm
Pillar	St. 100x100x3mm	€ 211	lm
Pillar	St. 100x100x5mm	€ 377	lm
Pillar	St. 150x150x3mm	€ 427	lm
Pillar	St. 150x150x5mm	€ 598	lm

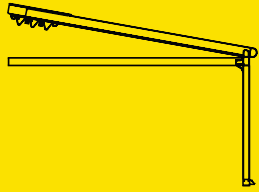
PRICE DIFFERENCE

		BEAM GROUP	
		Standard	Al. 100x150mm
Beam	to	St. 100x150x3mm	€ 155 lm
		St. 100x150x5mm	€ 231 lm
		St. 100x200x3mm	€ 160 lm
		St. 100x200x5mm	€ 302 lm
		PILLAR GROUP	
		Standard	Al. 100x100mm
Pillar	to	St. 100x100x3mm	€ 108 pcs
		St. 100x100x5mm	€ 443 pcs
		St. 150x150x3mm	€ 677 pcs
		St. 150x150x5mm	€ 1.197 pcs

- *Max. Al. Front pillar (Al. 100x100mm) height is 280cm
- *Max. St 3mm. Front pillar (St. 100x100x3mm) height is 380cm
- *Max. St. 5mm Front pillar (St. 100x100x5mm) height is 480cm

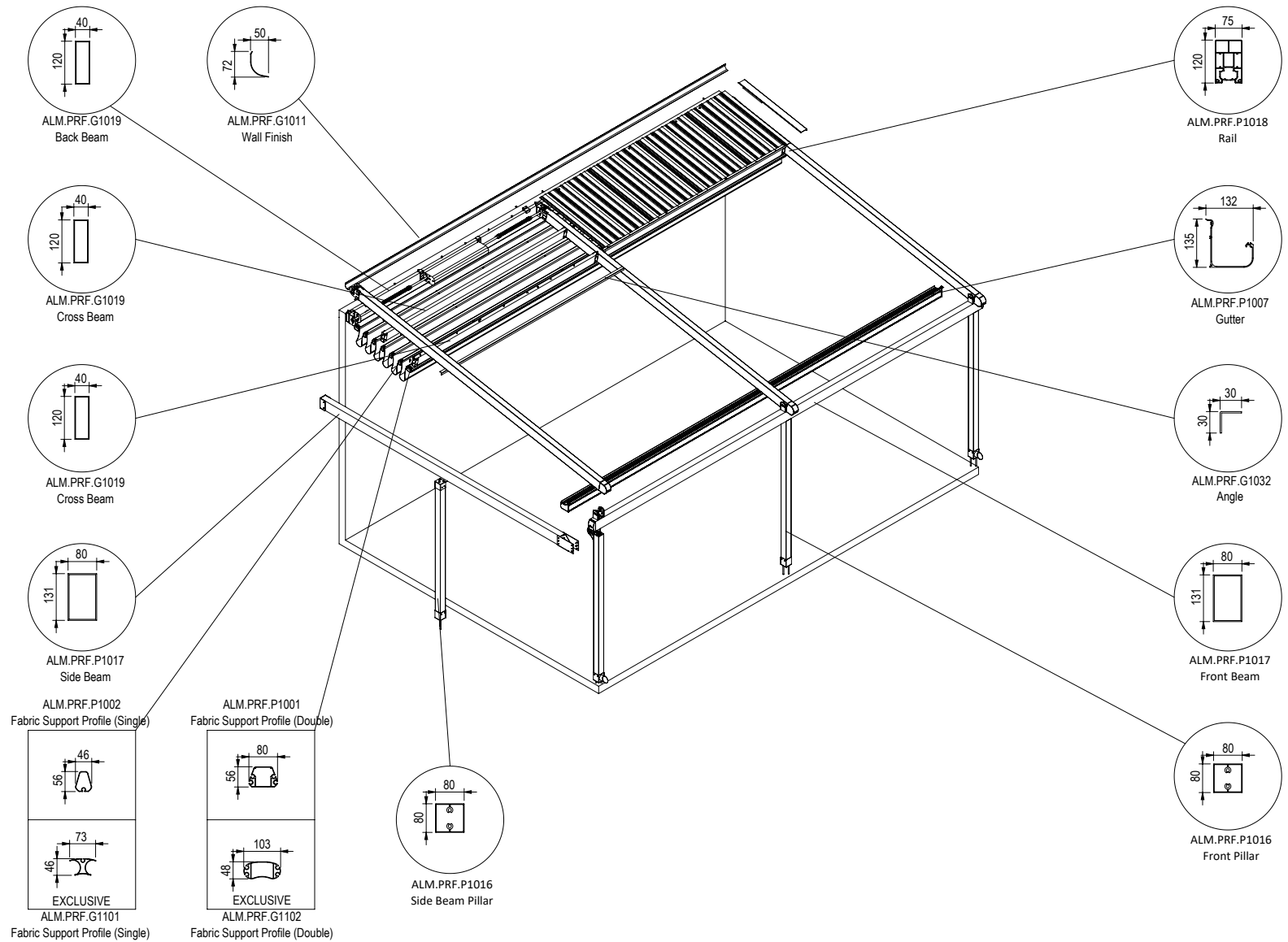
SILVER

Compact Wall / Ceiling



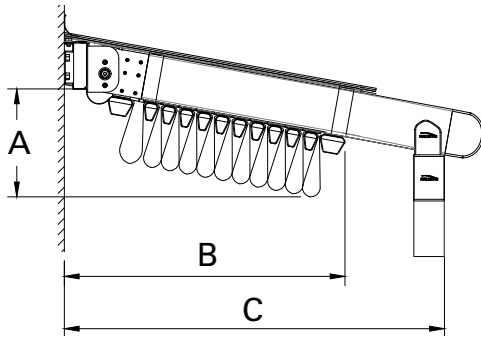
MAXIMUM DIMENSIONS

	WIDTH	PROJECTION
2 RAILS	450 cm	600 cm
3 RAILS	900 cm	600 cm
4 RAILS	1300 cm	600 cm



TECHNICAL FEATURES

COLLECTED FABRIC DIMENSIONS



Projection cm		
	185 235 284 334 383 433 482 532 581	C
4	34	61
5	35	68
6	36	74
7	37	81
8	38	87
9	39	94
10	40	100
11	41	107
13	43	120

*Calculated according to a slope of 15%

DRAINAGE CALCULATION

Type	Max. m ²
Compact	30 m ² /pc

* per drainage

There should be at least one drainage, each 8 m length gutter.

MINIMUM SLOPE CHART

Slope	6,4-7,9%	7,4-8,8%	8,4-9,7%	9,4-10,8%	10,4-12%	11,2-12,7%	12-13,4%	13-14,5%	14-15,7%	15-16,6%	16-17,6%
Rail Center											
	200	225	250	275	300	325	350	375	400	425	450
250	11	14	16	19	21	23	25	28	30	33	35
300	15	18	21	24	26	29	32	35	37	40	43
350	18	22	25	29	32	35	38	41	44	48	51
400	22	26	30	34	37	41	44	48	52	56	59
450	27	31	35	39	43	47	51	55	59	64	68
500	31	36	40	45	49	54	58	63	67	72	76
550	35	40	45	50	55	60	65	70	75	80	85
600	39	45	50	56	61	67	72	78	83	89	94

*Note: Max. slope can be up to 25%

For back height of system 25 cm should be added to slope value.

WIND RESISTANCE

PROJECTION (cm)	WIDTH (cm)																	
	450	500	550	600	650	700	750	800	850	900	950	1000	1050	1100	1150	1200	1250	1300
400	11	11	11	11	10	10	10	10	10	10	11	11	11	11	11	10	10	10
450	11	11	10	10	10	9	9	9	9	9	11	11	10	10	10	10	10	10
500	10	10	9	9	9	9	9	8	8	8	10	10	9	9	9	9	9	9
550	9	9	9	9	8	8	8	8	8	7	9	9	9	9	9	9	8	8
600	9	9	8	8	8	8	7	7	7	6	9	9	8	8	8	8	8	8

All sides open

PROJECTION (cm)	WIDTH (cm)																	
	450	500	550	600	650	700	750	800	850	900	950	1000	1050	1100	1150	1200	1250	1300
400	9	9	9	9	9	9	9	8	8	8	9	9	9	9	9	9	9	9
450	9	9	8	8	8	8	8	8	8	7	9	9	8	8	8	8	8	8
500	8	8	8	8	8	8	7	7	7	7	8	8	8	8	8	8	8	8
550	8	8	7	7	7	7	7	7	7	7	8	8	7	7	7	7	7	7
600	7	7	7	7	7	6	6	6	6	6	7	7	7	7	7	7	7	7

With side enclosure

*The values are given according to the Beaufort scale.

**Calculated for Products with a front height of 250 cm according to Eurocode EN 1991-1-4 Terrain Category 4.

*** You can ask for new calculations for special designs.

SILVER Compact Wall / Ceiling



Projection	Width					2 RAILS										3 RAILS										4 RAILS										FS4 FS10-C	FS9-C
	250 cm	300 cm	350 cm	400 cm	450 cm	500 cm	550 cm	600 cm	650 cm	700 cm	750 cm	800 cm	850 cm	900 cm	950 cm	1000 cm	1050 cm	1100 cm	1150 cm	1200 cm	1250 cm	1300 cm															
200 cm	€ 5.471	€ 5.736	€ 6.109	€ 6.487	€ 6.752	€ 7.929	€ 8.187	€ 8.445	€ 8.934	€ 9.150	€ 9.329	€ 9.583	€ 9.838	€ 10.092	€ 11.387	€ 11.636	€ 11.888	€ 12.143	€ 12.396	€ 12.592	€ 12.930	€ 13.323	€ 1.336	€ 194													
250 cm	€ 5.705	€ 6.112	€ 6.476	€ 6.751	€ 7.020	€ 8.309	€ 8.718	€ 8.981	€ 9.341	€ 9.565	€ 9.754	€ 10.156	€ 10.561	€ 10.683	€ 11.932	€ 12.192	€ 12.594	€ 12.854	€ 13.116	€ 13.316	€ 13.667	€ 14.065	€ 1.435	€ 234													
300 cm	€ 6.120	€ 6.576	€ 6.983	€ 7.305	€ 7.623	€ 9.078	€ 9.534	€ 9.849	€ 10.254	€ 10.523	€ 10.759	€ 11.209	€ 11.663	€ 11.834	€ 13.216	€ 13.525	€ 13.976	€ 14.281	€ 14.592	€ 14.834	€ 15.230	€ 15.676	€ 1.534	€ 275													
350 cm	€ 6.496	€ 6.825	€ 7.241	€ 7.705	€ 8.032	€ 9.607	€ 9.932	€ 10.396	€ 10.814	€ 11.085	€ 11.332	€ 11.792	€ 12.261	€ 12.434	€ 14.052	€ 14.368	€ 14.688	€ 15.005	€ 15.461	€ 15.710	€ 16.116	€ 16.432	€ 1.633	€ 314													
400 cm	€ 6.740	€ 7.076	€ 7.501	€ 7.972	€ 8.309	€ 9.996	€ 10.330	€ 10.801	€ 11.227	€ 11.509	€ 11.763	€ 12.232	€ 12.703	€ 12.892	€ 14.610	€ 14.936	€ 15.265	€ 15.590	€ 16.054	€ 16.310	€ 16.725	€ 17.048	€ 1.731	€ 355													
450 cm	€ 6.987	€ 7.332	€ 7.769	€ 8.249	€ 8.592	€ 10.396	€ 10.739	€ 11.219	€ 11.654	€ 11.943	€ 12.208	€ 12.685	€ 13.165	€ 13.361	€ 15.179	€ 15.516	€ 15.852	€ 16.186	€ 16.663	€ 16.921	€ 17.345	€ 17.677	€ 1.830	€ 395													
500 cm	€ 7.231	€ 7.585	€ 8.027	€ 8.516	€ 8.870	€ 10.787	€ 11.136	€ 11.625	€ 12.072	€ 12.365	€ 12.638	€ 13.125	€ 13.616	€ 13.819	€ 15.737	€ 16.083	€ 16.428	€ 16.770	€ 17.254	€ 17.521	€ 17.952	€ 18.295	€ 1.929	€ 436													
550 cm	€ 7.652	€ 8.187	€ 8.676	€ 9.210	€ 9.610	€ 11.705	€ 12.243	€ 12.639	€ 13.274	€ 13.610	€ 13.932	€ 14.467	€ 15.007	€ 15.397	€ 17.288	€ 17.701	€ 18.234	€ 18.625	€ 19.155	€ 19.459	€ 19.937	€ 20.466	€ 2.028	€ 475													
600 cm	€ 7.903	€ 8.447	€ 8.947	€ 9.489	€ 9.896	€ 12.103	€ 12.654	€ 13.059	€ 13.699	€ 14.043	€ 14.372	€ 14.917	€ 15.465	€ 15.866	€ 17.877	€ 18.277	€ 18.819	€ 19.219	€ 19.755	€ 20.070	€ 20.555	€ 21.092	€ 2.127	€ 516													
FS3	€ 234	€ 245	€ 267	€ 294	€ 318	€ 342	€ 367	€ 391	€ 415	€ 439	€ 565	€ 589	€ 613	€ 638	€ 664	€ 688	€ 712	€ 737	€ 761	€ 785	€ 810	€ 834															
FS5-A	€ 43	€ 54	€ 64	€ 73	€ 84	€ 93	€ 105	€ 114	€ 125	€ 135	€ 146	€ 155	€ 166	€ 176	€ 187	€ 196	€ 208	€ 217	€ 228	€ 237	€ 249	€ 258															
FS5-E	€ 59	€ 75	€ 88	€ 100	€ 116	€ 129	€ 144	€ 157	€ 173	€ 185	€ 201	€ 214	€ 229	€ 242	€ 257	€ 270	€ 286	€ 299	€ 314	€ 327	€ 342	€ 355															

FS3	Gutter System
FS5-A	Additional Fabric Support Profile (Standard)
FS5-E	Additional Fabric Support Profile (3 Axis)
FS4 FS10-C	Additional Rail for Compact Series- AL- 75x120mm Additional Pillar for Compact Series- AL- 80x80mm
FS8	Lighting System
FS9-C	Side Beam for Compact Series- AL- 80x130mm

FS8	
FS8-S	SPOT
FS8-L	LINEAR
FS8-LR (RGB)	LINEAR (RGB)

LEDTYPE & MODULE		
2 LED	3 LED	4 LED
€ 132	€ 160	€ 189
€ 189	€ 245	
€ 240	€ 311	

Notes:

- Any side beam is not included in the price.
- FS Flexy Plain/3D or Stam 6002 is included in the price.
- Motor and Remote control is included in the price.
- Palmiye Aluminium Coating Catalogue includes the standard colours with no extra cost. For any other type/brand/coulour of paint, price difference and additional delivery duration shall be checked from your customer representative.
- Standard fabric support profile plastic colours are specified in Palmiye Aluminium Coating Catalogue.

DEDUCTION

Price deduction is applicable only for pillars and beam. Deduction amount shall be considered as 70% of related option price.

OPTIONS

FS10-C	Extra pillar (80x80mm Al.)	€ 392	pcs
FS10	Extra pillar (100x100mm Al.)	€ 532	pcs
FS10-ST3	Extra pillar (100x100x3mm St.)	€ 510	pcs
FS10-ST5	Extra pillar (100x100x5mm St.)	€ 744	pcs
FS11	Deco ceiling cover	€ 70	m ²
FS15-C	Side beam pillar (80x80mm - Al)	€ 392	pcs
FS19	Fix louver	€ 73	lm
FS23	External Square Downpipe	€ 326	pcs
FS24	W96 Ceiling Cover	€ 81	m ²
FS26	Exclusive fabric difference (up to 800cm width)	€ 48	m ²
FS29-1	Sun Sensor (SUNIS) (for single motor)	€ 604	pcs
FS29-1S	Sun Sensor (SUNIS) (for synchronized motor)	€ 962	pcs
FS29-2	Wind Sensor (EOLIS RTS) (for single motor)	€ 284	pcs
FS29-2S	Wind Sensor (EOLIS RTS) (for synchronized motor)	€ 639	pcs
FS29-3	Sun and Wind Sensor (SOLIRIS RTS) (for single motor)	€ 322	pcs
FS29-3S	Sun and Wind Sensor (SOLIRIS RTS) (for synchronized motor)	€ 676	pcs
FS29-4 ^{2/3}	Rain Sensor (ONDEIS) (for single motor)	€ 558	pcs
FS29-4S ^{2/3}	Rain Sensor (ONDEIS) (for synchronized motor)	€ 912	pcs
FS30	CONNEXOON	€ 510	pcs

Notes:

1. Fabric support profiles can be painted in the same color as the general construction. No fee is paid for this process. However, the plastic color should be specified from our standard plastic colours in Palmiye Color Chart.

2. For one product, a dry contact transmitter costing 358€, must be added.

3. Up to 5 products, a RS485 Automation interface dry contact transmitter costing 1094€, must be added.

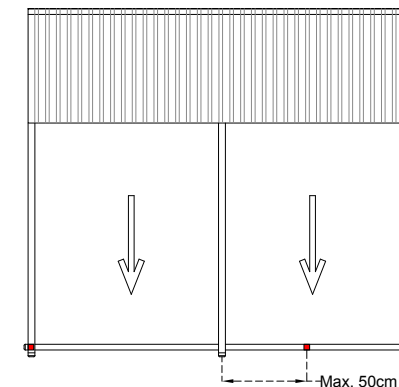
EXTENSIONS

Rail	Compact - 75x120mm	€ 200	lm
Beam	Al. 40x120mm	€ 63	lm
Beam	Al. 42x150mm	€ 102	lm
Beam	Al. 50x150mm	€ 180	lm
Beam	Al. 80x130mm	€ 96	lm
Beam	Al. 100x150mm	€ 151	lm
Beam	St. 100x150x3mm	€ 310	lm
Beam	St. 100x150x5mm	€ 377	lm
Beam	St. 100x200x3mm	€ 315	lm
Beam	St. 100x200x5mm	€ 449	lm
Fabric protection cover	Al. - 63x___cm	€ 59	m ²
Gutter	Special Profile	€ 44	lm
Pillar	Al. 80x80mm	€ 85	lm
Pillar	Al. 100x100mm	€ 168	lm
Pillar	St. 100x100x3mm	€ 211	lm
Pillar	St. 100x100x5mm	€ 377	lm
Pillar	St. 150x150x3mm	€ 427	lm
Pillar	St. 150x150x5mm	€ 598	lm

*Max. Al. Front pillar (Al. 80x80mm) height is 280cm

*Max. St 3mm. Front pillar (St. 100x100x3mm) height is 380cm

*Max. St. 5mm Front pillar (St. 100x100x5mm) height is 480cm



Middle front pillars can only be moved max. 50 cm towards right or left side.

PRICE DIFFERENCE

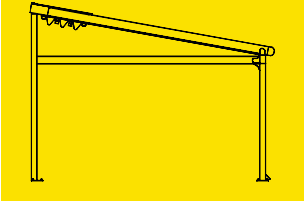
		BEAM GROUP	
		Standard	Al. 40x120mm
Back Beam	to	Al. 42x150mm	€ 39 lm
		Al. 50x150mm	€ 119 lm
		Al. 80x130mm	€ 30 lm
		St. 50x150x3mm	€ 151 lm
		St. 50x150x5mm	€ 237 lm
		Al. 100x150mm	€ 87 lm
		St. 100x150x3mm	€ 255 lm
		St. 100x150x5mm	€ 327 lm
		St. 100x200x3mm	€ 258 lm
		St. 100x200x5mm	€ 399 lm

		Standard	Al. 80x130mm
Front Beam	to	Al. 100x150mm	€ 55 lm
		St. 100x150x3mm	€ 227 lm
		St. 100x150x5mm	€ 304 lm
		St. 100x200x3mm	€ 232 lm
		St. 100x200x5mm	€ 374 lm

		PILLAR GROUP	
		Standard	Al. 80x80mm
Front Pillar	to	Al. 100x100mm	€ 138 pcs
		St. 100x100x3mm	€ 288 pcs
		St. 100x100x5mm	€ 623 pcs
		St. 150x150x3mm	€ 856 pcs
		St. 150x150x5mm	€ 1.376 pcs

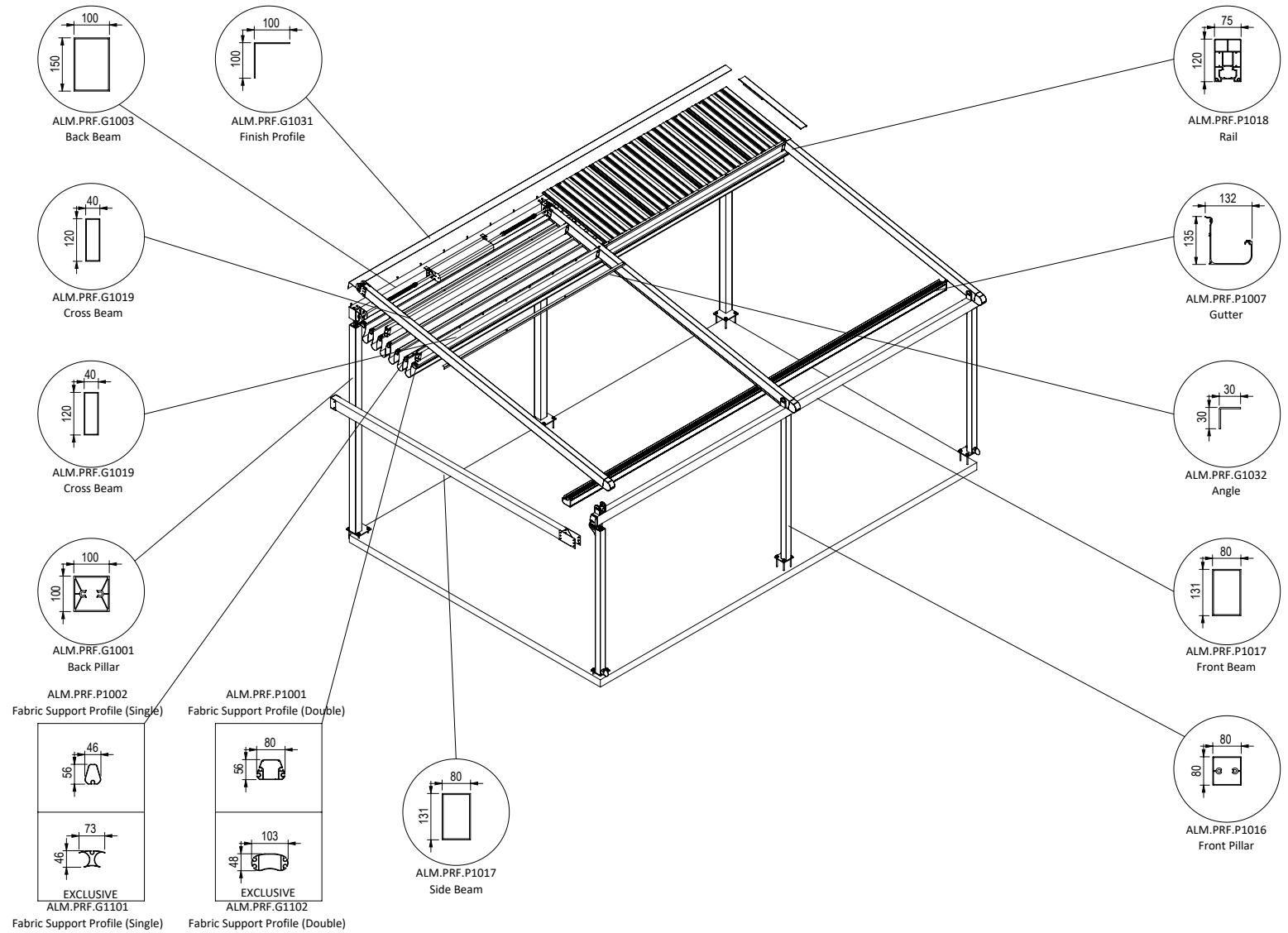
SILVER

Compact Freestanding



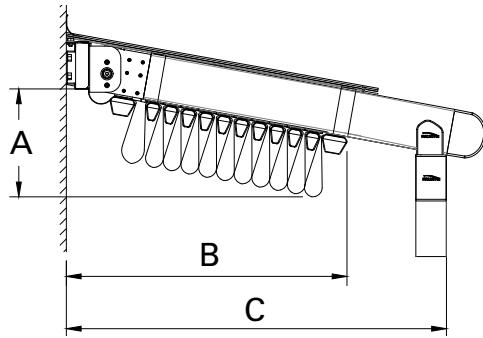
MAXIMUM DIMENSIONS

	WIDTH	PROJECTION
2 RAILS	450 cm	600 cm
3 RAILS	900 cm	600 cm
4 RAILS	1300 cm	600 cm



TECHNICAL FEATURES

COLLECTED FABRIC DIMENSIONS



No of Fabric Support Profiles	Projection cm										C
	185	235	284	334	383	433	482	532	581		
4	34										61
5		35									68
6			36								74
7				37							81
8					38						87
9						39					94
10							40				100
11								41			107
13									43		120

*Calculated according to a slope of 15%

DRAINAGE CALCULATION

Type	Max. m ²
Compact	30 m ² /pc

* per drainage

There should be at least one drainage, each 8 m length gutter.

MINIMUM SLOPE CHART

Slope	Rail Center										
	200	225	250	275	300	325	350	375	400	425	450
6,4-7,9%	11	14	16	19	21	23	25	28	30	33	35
7,4-8,8%	15	18	21	24	26	29	32	35	37	40	43
8,4-9,7%	18	22	25	29	32	35	38	41	44	48	51
9,4-10,8%	22	26	30	34	37	41	44	48	52	56	59
10,4-12%	27	31	35	39	43	47	51	55	59	64	68
11,2-12,7%	31	36	40	45	49	54	58	63	67	72	76
12-13,4%	35	40	45	50	55	60	65	70	75	80	85
13-14,5%	39	45	50	56	61	67	72	78	83	89	94

*Note: Max. slope can be up to 25%

For back height of system 25 cm should be added to slope value.

WIND RESISTANCE

PROJECTION (cm)	WIDTH (cm)																	
	450	500	550	600	650	700	750	800	850	900	950	1000	1050	1100	1150	1200	1250	1300
400	11	11	11	11	10	10	10	10	10	10	11	11	11	11	11	11	10	10
450	11	11	10	10	10	9	9	9	9	9	11	11	10	10	10	10	10	10
500	10	10	9	9	9	9	9	8	8	8	10	10	9	9	9	9	9	9
550	9	9	9	9	8	8	8	8	8	7	9	9	9	9	9	9	8	8
600	9	9	8	8	8	8	7	7	7	6	9	9	8	8	8	8	8	8

All sides open

PROJECTION (cm)	WIDTH (cm)																	
	450	500	550	600	650	700	750	800	850	900	950	1000	1050	1100	1150	1200	1250	1300
400	9	9	9	9	9	9	9	8	8	8	9	9	9	9	9	9	9	9
450	9	9	8	8	8	8	8	8	8	7	9	9	8	8	8	8	8	8
500	8	8	8	8	8	8	7	7	7	7	8	8	8	8	8	8	8	8
550	8	8	7	7	7	7	7	7	7	7	8	8	7	7	7	7	7	7
600	7	7	7	7	7	6	6	6	6	6	7	7	7	7	7	7	7	7

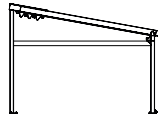
With side enclosure

*The values are given according to the Beaufort scale.

**Calculated for Products with a front height of 250 cm according to Eurocode EN 1991-1-4 Terrain Category 4.

*** You can ask for new calculations for special designs.

SILVER Compact Freestanding



Projection	Width					2 RAILS										3 RAILS										4 RAILS										FS4 FS10-C
	250 cm	300 cm	350 cm	400 cm	450 cm	500 cm	550 cm	600 cm	650 cm	700 cm	750 cm	800 cm	850 cm	900 cm	950 cm	1000 cm	1050 cm	1100 cm	1150 cm	1200 cm	1250 cm	1300 cm														
200 cm	€ 6.939	€ 7.226	€ 7.621	€ 8.021	€ 8.308	€ 9.997	€ 10.277	€ 10.557	€ 11.068	€ 11.306	€ 11.506	€ 11.783	€ 12.059	€ 12.336	€ 14.143	€ 14.414	€ 14.688	€ 14.965	€ 15.239	€ 15.457	€ 15.817	€ 16.232	€ 1.336													
250 cm	€ 7.250	€ 7.679	€ 8.065	€ 8.361	€ 8.652	€ 10.453	€ 10.884	€ 11.170	€ 11.552	€ 11.797	€ 12.008	€ 12.432	€ 12.859	€ 13.003	€ 14.764	€ 15.046	€ 15.470	€ 15.752	€ 16.036	€ 16.257	€ 16.630	€ 17.050	€ 1.435													
300 cm	€ 7.745	€ 8.223	€ 8.652	€ 8.996	€ 9.336	€ 11.302	€ 11.781	€ 12.117	€ 12.544	€ 12.835	€ 13.094	€ 13.565	€ 14.041	€ 14.234	€ 16.128	€ 16.459	€ 16.932	€ 17.259	€ 17.592	€ 17.855	€ 18.274	€ 18.741	€ 1.534													
350 cm	€ 8.197	€ 8.548	€ 8.986	€ 9.472	€ 9.821	€ 11.908	€ 12.255	€ 12.741	€ 13.181	€ 13.474	€ 13.743	€ 14.225	€ 14.716	€ 14.910	€ 17.041	€ 17.379	€ 17.721	€ 18.059	€ 18.537	€ 18.808	€ 19.236	€ 19.574	€ 1.633													
400 cm	€ 8.521	€ 8.879	€ 9.326	€ 9.819	€ 10.177	€ 12.377	€ 12.733	€ 13.226	€ 13.673	€ 13.977	€ 14.254	€ 14.745	€ 15.237	€ 15.448	€ 17.679	€ 18.026	€ 18.377	€ 18.724	€ 19.210	€ 19.488	€ 19.925	€ 20.270	€ 1.731													
450 cm	€ 8.844	€ 9.212	€ 9.670	€ 10.172	€ 10.537	€ 12.853	€ 13.219	€ 13.721	€ 14.177	€ 14.488	€ 14.775	€ 15.274	€ 15.776	€ 15.994	€ 18.324	€ 18.682	€ 19.041	€ 19.397	€ 19.895	€ 20.175	€ 20.621	€ 20.975	€ 1.830													
500 cm	€ 9.168	€ 9.545	€ 10.008	€ 10.519	€ 10.896	€ 13.324	€ 13.695	€ 14.206	€ 14.675	€ 14.990	€ 15.284	€ 15.794	€ 16.306	€ 16.532	€ 18.962	€ 19.330	€ 19.697	€ 20.061	€ 20.566	€ 20.855	€ 21.308	€ 21.674	€ 1.929													
550 cm	€ 9.666	€ 10.223	€ 10.734	€ 11.290	€ 11.712	€ 14.319	€ 14.879	€ 15.297	€ 15.953	€ 16.312	€ 16.655	€ 17.212	€ 17.774	€ 18.186	€ 20.590	€ 21.024	€ 21.579	€ 21.991	€ 22.544	€ 22.870	€ 23.370	€ 23.921	€ 2.028													
600 cm	€ 9.997	€ 10.563	€ 11.085	€ 11.648	€ 12.077	€ 14.797	€ 15.370	€ 15.797	€ 16.459	€ 16.824	€ 17.175	€ 17.743	€ 18.312	€ 18.735	€ 21.259	€ 21.680	€ 22.244	€ 22.666	€ 23.224	€ 23.561	€ 24.068	€ 24.626	€ 2.127													
FS3	€ 234	€ 245	€ 267	€ 294	€ 318	€ 342	€ 367	€ 391	€ 415	€ 439	€ 565	€ 589	€ 613	€ 638	€ 664	€ 688	€ 712	€ 737	€ 761	€ 785	€ 810	€ 834														
FS5-A	€ 43	€ 54	€ 64	€ 73	€ 84	€ 93	€ 105	€ 114	€ 125	€ 135	€ 146	€ 155	€ 166	€ 176	€ 187	€ 196	€ 208	€ 217	€ 228	€ 237	€ 249	€ 258														
FS5-E	€ 59	€ 75	€ 88	€ 100	€ 116	€ 129	€ 144	€ 157	€ 173	€ 185	€ 201	€ 214	€ 229	€ 242	€ 257	€ 270	€ 286	€ 299	€ 314	€ 327	€ 342	€ 355														

FS3	Gutter System
FS5-A	Additional Fabric Support Profile (Standard)
FS5-E	Additional Fabric Support Profile (3 Axis)
FS4 FS10-C	Additional Rail for Compact Series- Al.- 75x120mm Additional Pillar for Compact Series- Al.- 80x80mm
FS8	Lighting System

FS8	
FS8-S	SPOT
FS8-L	LINEAR
FS8-LR (RGB)	LINEAR (RGB)

LED TYPE & MODULE		
2 LED	3 LED	4 LED
€ 132	€ 160	€ 189
€ 189	€ 245	
€ 240	€ 311	

Notes:

- FS9-C- Side Beam (Al. 80x130mm) is included in the price for right and left side.
- FS Flexy Plain/3D or Stam 6002 is included in the price.
- Motor and Remote control is included in the price.
- Palmye Aluminium Coating Catalogue includes the standard colours with no extra cost. For any other type/brand/color of paint, price difference and additional delivery duration shall be checked from your customer representative.
- Standard fabric support profile plastic colours are specified in Palmye Aluminium Coating Catalogue.
- If you use an additional rail you have to add a front pillar. It's included in the price. (FS4+FS10-C)
- In pergolas including steel front pillars, if gutter option is preferred, external water drainage points will be specified according to the Project and will be priced additionally.

DEDUCTIONS

Price deduction is applicable only for front & back pillars and side beam. Deduction amount shall be consider as 70% of related option price.

OPTIONS

FS10-C	Extra pillar (80x80mm Al.)	€ 392	pcs
FS10	Extra pillar (100x100mm Al.)	€ 532	pcs
FS10-ST3	Extra pillar (100x100x3mm St.)	€ 510	pcs
FS10-ST5	Extra pillar (100x100x5mm St.)	€ 744	pcs
FS11	Deco ceiling cover	€ 70	m ²
FS15-C	Side beam pillar (80x80mm - Al)	€ 392	pcs
FS19	Fix louver	€ 73	lm
FS23	External Square Downpipe	€ 326	pcs
FS24	W96 Ceiling Cover	€ 81	m ²
FS26	Exclusive fabric difference (up to 800cm width)	€ 48	m ²
FS29-1	Sun Sensor (SUNIS) (for single motor)	€ 604	pcs
FS29-1S	Sun Sensor (SUNIS) (for synchronized motor)	€ 962	pcs
FS29-2	Wind Sensor (EOLIS RTS) (for single motor)	€ 284	pcs
FS29-2S	Wind Sensor (EOLIS RTS) (for synchronized motor)	€ 639	pcs
FS29-3	Sun and Wind Sensor (SOLIRIS RTS) (for single motor)	€ 322	pcs
FS29-3S	Sun and Wind Sensor (SOLIRIS RTS) (for synchronized motor)	€ 676	pcs
FS29-4 ^{2/3}	Rain Sensor (ONDEIS) (for single motor)	€ 558	pcs
FS29-4S ^{2/3}	Rain Sensor (ONDEIS) (for synchronized motor)	€ 912	pcs
FS30	CONNEXOON	€ 510	pcs

Notes:

1. Fabric support profiles can be painted in the same color as the general construction. No fee is paid for this process. However, the plastic color should be specified from our standard plastic colours in Palmye Color Chart.
2. For one product, a dry contact transmitter costing 358€, must be added.
3. Up to 5 products, a RS485 Automation interface dry contact transmitter costing 1094€, must be added.

BACK PILLAR POSITION CHANGE

		A								
		500	550	600	650	700	750	800	850	900
B	400									
	500									
	600									

 BACK PILLAR	:	Al. 100x100x3mm
 BACK BEAM	:	Al. 100x150x3mm
 BACK PILLAR	:	St. 100x100x3mm
 BACK BEAM	:	St. 100x150x3mm
 BACK PILLAR	:	St. 100x100x5mm
 BACK BEAM	:	St. 100x150x5mm
 BACK PILLAR	:	St. 100x100x5mm
 BACK BEAM	:	St. 100x200x5mm

(Construction price difference needs to be added.
The deflection doesn't evaluate on this chart.)

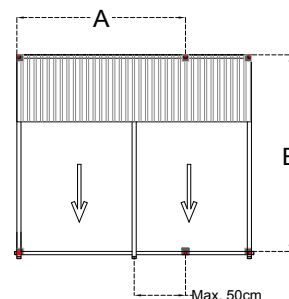
EXTENSIONS

Rail	Compact - 75x120mm	€ 200	lm
Beam	Al. 80x130mm	€ 96	lm
Beam	Al. 100x150mm	€ 151	lm
Beam	St. 100x150x3mm	€ 310	lm
Beam	St. 100x150x5mm	€ 377	lm
Beam	St. 100x200x3mm	€ 315	lm
Beam	St. 100x200x5mm	€ 449	lm
Fabric protection cover	Al. - 63x___cm	€ 59	m ²
Gutter	Special Profile	€ 44	lm
Pillar	Al. 80x80mm	€ 85	lm
Pillar	Al. 100x100mm	€ 168	lm
Pillar	St. 100x100x3mm	€ 211	lm
Pillar	St. 100x100x5mm	€ 377	lm
Pillar	St. 150x150x3mm	€ 427	lm
Pillar	St. 150x150x5mm	€ 598	lm

*Max. Al. Front pillar (Al. 80x80mm) height is 280cm

*Max. St 3mm. Front pillar (St. 100x100x3mm) height is 380cm

*Max. St. 5mm Front pillar (St. 100x100x5mm) height is 480cm



Middle front pillars can only be moved max. 50 cm towards right or left side.

STANDARD CONSTRUCTION

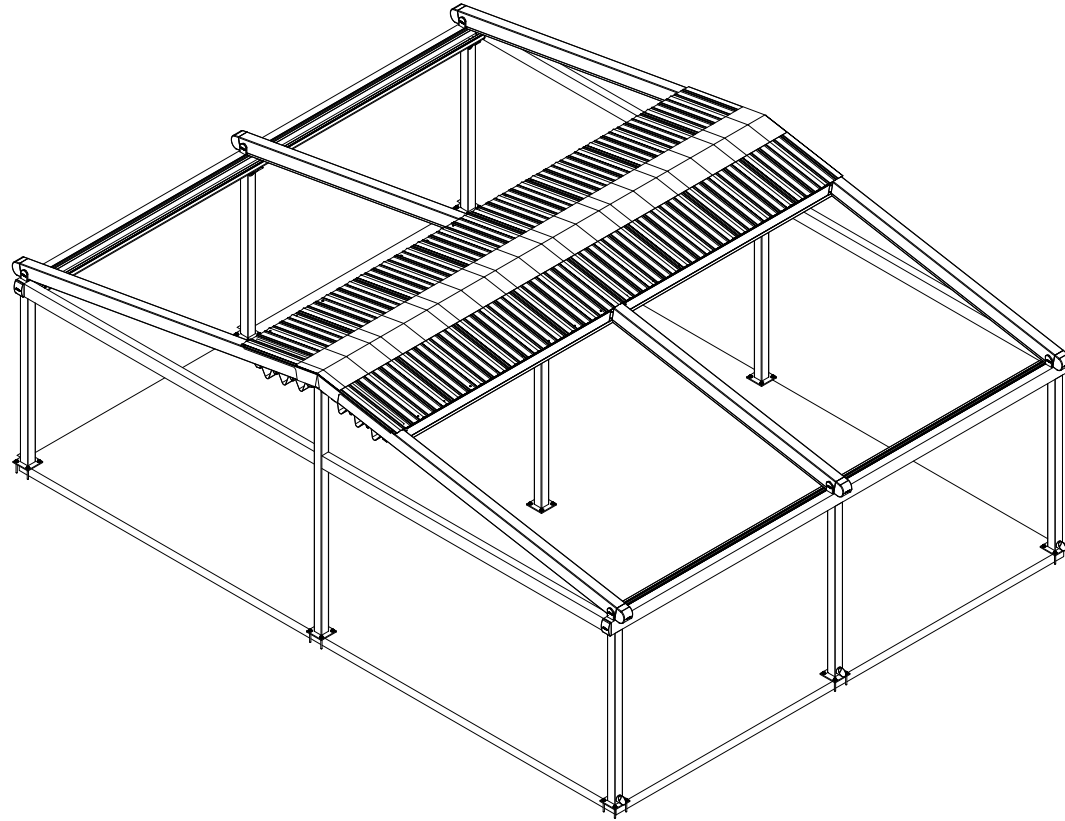
		WIDTH														
		450	500	550	600	650	700	750	800	850	900	950	1000	1100	1200	1300
PROJECTION	400															
	450															
	500															
	550															
600																

 BACK PILLAR	:	Al. 100x100x3mm
 BACK BEAM	:	Al. 100x150x3mm

(in price included)

PRICE DIFFERENCE

		BEAM GROUP		
		Standard	Al. 100x150mm	
Back Beam			St. 100x150x3mm	€ 155 lm
	to		St. 100x150x5mm	€ 231 lm
			St. 100x200x3mm	€ 160 lm
			St. 100x200x5mm	€ 302 lm
		Standard	Al. 80x130mm	
Front Beam			Al. 100x150mm	€ 55 lm
	to		St. 100x150x3mm	€ 227 lm
			St. 100x150x5mm	€ 304 lm
			St. 100x200x3mm	€ 232 lm
			St. 100x200x5mm	€ 374 lm
		PILLAR GROUP		
		Standard	Al. 100x100mm	
Back Pillar			St. 100x100x3mm	€ 108 pcs
	to		St. 100x100x5mm	€ 443 pcs
			St. 150x150x3mm	€ 677 pcs
			St. 150x150x5mm	€ 1.197 pcs
		Standard	Al. 80x80mm	
Front Pillar			Al. 100x100mm	€ 138 pcs
	to		St. 100x100x3mm	€ 288 pcs
			St. 100x100x5mm	€ 623 pcs
			St. 150x150x3mm	€ 856 pcs
			St. 150x150x5mm	€ 1.376 pcs



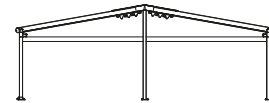
SILVER TWIN

PRODUCT FORMS

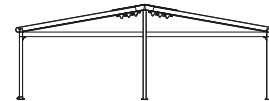
- **Silver Twin** Without Middle Pillar



- **Silver Twin**



- **Silver Compact Twin**



SILVER

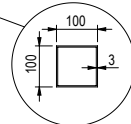
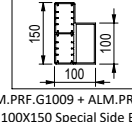
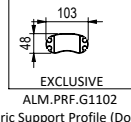
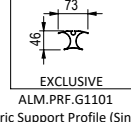
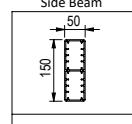
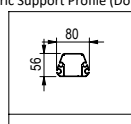
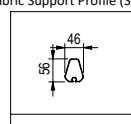
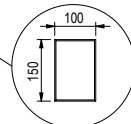
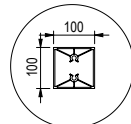
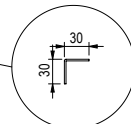
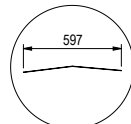
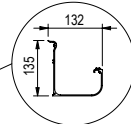
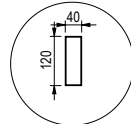
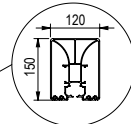
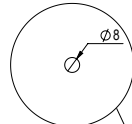
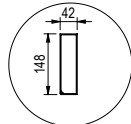
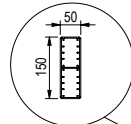
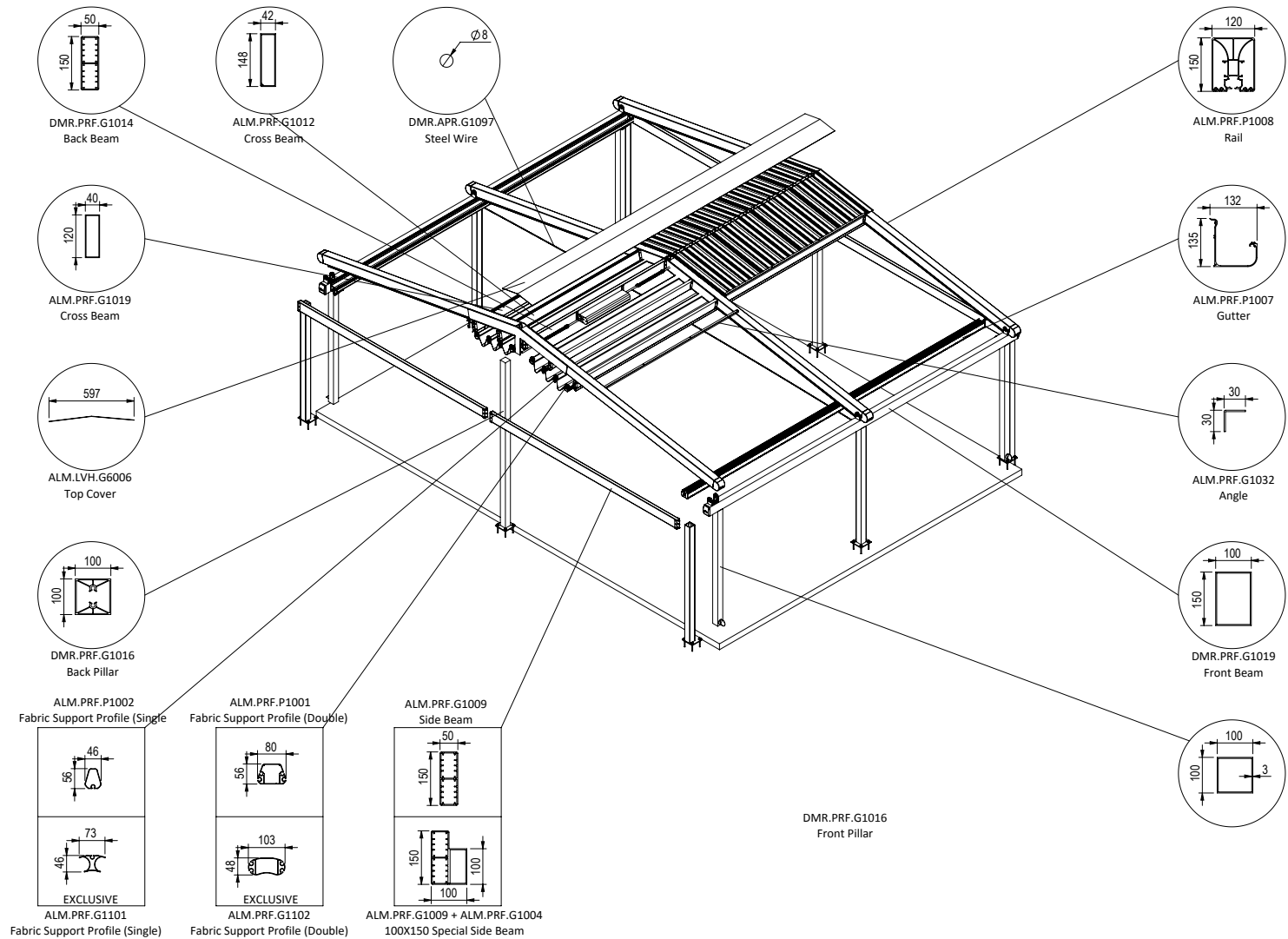
Twin

Without Middle Pillar



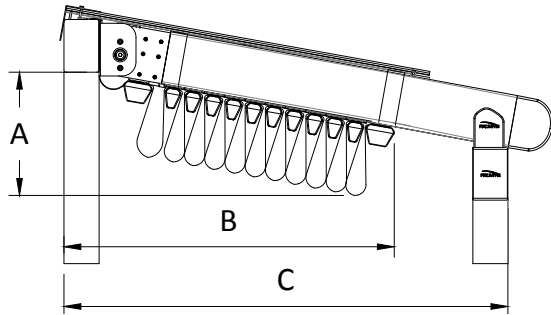
MAXIMUM DIMENSIONS

	WIDTH	PROJECTION
2 RAILS	450 cm	1000 cm
3 RAILS	900 cm	1000 cm
4 RAILS	1300 cm	1000 cm



TECHNICAL FEATURES

COLLECTED FABRIC DIMENSIONS



No of Fabric Support Profiles	Projection cm							
	185	235	284	334	383	433	482	C
4	34							61
5		35						68
6			36					74
7				37				81
8					38			87
9						39		94
10							40	100

*Calculated according to a slope of 15%

DRAINAGE CALCULATION

Type	Max. m ²
Full	39 m ² /pc
Half	18 m ² /pc

* per drainage

There should be at least one drainage, each 8 m length gutter.

MINIMUM SLOPE CHART

Slope	6,4-7,9%	7,4-8,8%	8,4-9,7%	9,4-10,8%	10,4-12%	11,2-12,7%	12-13,4%	13-14,5%	14-15,7%	15-16,6%	16-17,6%
-------	----------	----------	----------	-----------	----------	------------	----------	----------	----------	----------	----------

Rail Center

Projection	Rail Center										
	200	225	250	275	300	325	350	375	400	425	450
250	16	19	21	24	26	28	30	33	35	38	40
300	20	23	26	29	31	34	37	40	42	45	48
350	23	27	30	34	37	40	43	46	49	53	56
400	27	31	35	39	42	46	49	53	57	61	64
450	32	36	40	44	48	52	56	60	64	69	73
500	36	41	45	50	54	59	63	68	72	77	81

*Note: Max. slope can be up to 25%

For back height of system 30 cm should be added to slope value.

WIND RESISTANCE

PROJECTION (cm)	WIDTH (cm)																	
	450	500	550	600	650	700	750	800	850	900	950	1000	1050	1100	1150	1200	1250	1300
400	11	11	11	11	11	11	11	11	11	11	11	11	11	11	11	11	11	11
500	11	11	11	11	10	10	10	10	10	9	11	11	11	11	11	11	10	10
600	11	10	10	9	9	9	9	9	8	8	10	10	10	10	9	9	9	9
700	11	9	9	8	8	8	8	7	7	7	9	9	9	9	8	8	8	8
800	11	8	8	7	7	7	7	6	6	6	8	8	8	8	7	7	7	7
900	11	7	7	6	6	6	6	6	5	5	7	7	7	7	6	6	6	6
1000	11	6	6	6	5	5	5	5	5	5	6	6	6	6	6	6	5	5

All sides open

PROJECTION (cm)	WIDTH (cm)																	
	450	500	550	600	650	700	750	800	850	900	950	1000	1050	1100	1150	1200	1250	1300
400	11	11	11	11	10	10	9	9	9	8	11	11	11	11	11	11	10	10
500	11	11	11	10	9	9	9	9	9	8	11	11	11	11	10	10	9	9
600	11	11	10	10	9	8	8	8	8	8	11	11	10	10	10	10	9	9
700	11	10	9	9	8	8	8	7	7	7	11	10	9	9	9	9	8	8
800	10	9	8	8	8	7	7	7	7	7	10	9	8	8	8	8	8	8
900	9	8	7	7	7	7	7	6	6	6	9	8	7	7	7	7	7	7
1000	9	7	6	6	6	6	6	6	6	6	9	7	6	6	6	6	6	6

With side enclosure

*The values are given according to the Beaufort scale.

**Calculated for Products with a front height of 250 cm according to Eurocode EN 1991-1-4 Terrain Category 4.

*** You can ask for new calculations for special designs.

SILVER Twin Without Middle Pillar



Projection	Width	2 RAILS					3 RAILS									4 RAILS									FS4	FS9-SPD
		250 cm	300 cm	350 cm	400 cm	450 cm	500 cm	550 cm	600 cm	650 cm	700 cm	750 cm	800 cm	850 cm	900 cm	950 cm	1000 cm	1050 cm	1100 cm	1150 cm	1200 cm	1250 cm	1300 cm			
400 cm		€ 13.169	€ 13.813	€ 14.715	€ 15.634	€ 16.277	€ 19.118	€ 19.745	€ 20.373	€ 21.562	€ 22.091	€ 22.528	€ 23.147	€ 23.771	€ 24.394	€ 27.530	€ 28.145	€ 28.766	€ 29.386	€ 30.009	€ 30.491	€ 31.320	€ 32.282	€ 1.631	€ 196	
450 cm		€ 13.462	€ 14.276	€ 15.167	€ 15.958	€ 16.609	€ 19.587	€ 20.397	€ 21.033	€ 22.066	€ 22.603	€ 23.053	€ 23.854	€ 24.658	€ 25.122	€ 28.205	€ 28.831	€ 29.634	€ 30.264	€ 30.896	€ 31.386	€ 32.231	€ 33.201	€ 1.750	€ 225	
500 cm		€ 13.751	€ 14.735	€ 15.617	€ 16.281	€ 16.939	€ 20.056	€ 21.048	€ 21.691	€ 22.567	€ 23.115	€ 23.576	€ 24.559	€ 25.545	€ 25.847	€ 28.878	€ 29.518	€ 30.500	€ 31.138	€ 31.783	€ 32.280	€ 33.139	€ 34.118	€ 1.870	€ 255	
550 cm		€ 14.263	€ 15.305	€ 16.241	€ 16.963	€ 17.680	€ 20.999	€ 22.050	€ 22.753	€ 23.689	€ 24.289	€ 24.810	€ 25.849	€ 26.898	€ 27.260	€ 30.452	€ 31.151	€ 32.194	€ 32.890	€ 33.595	€ 34.142	€ 35.058	€ 36.095	€ 1.990	€ 284	
600 cm		€ 14.773	€ 15.876	€ 16.866	€ 17.646	€ 18.422	€ 21.941	€ 23.049	€ 23.816	€ 24.808	€ 25.461	€ 26.044	€ 27.141	€ 28.250	€ 28.672	€ 32.025	€ 32.785	€ 33.889	€ 34.641	€ 35.407	€ 36.003	€ 36.976	€ 38.070	€ 2.109	€ 313	
650 cm		€ 15.236	€ 16.185	€ 17.188	€ 18.139	€ 18.927	€ 22.593	€ 23.544	€ 24.491	€ 25.499	€ 26.157	€ 26.751	€ 27.863	€ 28.989	€ 29.414	€ 33.058	€ 33.827	€ 34.774	€ 35.540	€ 36.481	€ 37.089	€ 38.073	€ 39.009	€ 2.229	€ 344	
700 cm		€ 15.701	€ 16.498	€ 17.511	€ 18.634	€ 19.431	€ 23.248	€ 24.043	€ 25.168	€ 26.189	€ 26.854	€ 27.460	€ 28.586	€ 29.730	€ 30.157	€ 34.092	€ 34.874	€ 35.662	€ 36.438	€ 37.560	€ 38.175	€ 39.171	€ 39.949	€ 2.349	€ 373	
750 cm		€ 16.005	€ 16.813	€ 17.837	€ 18.972	€ 19.780	€ 23.732	€ 24.538	€ 25.677	€ 26.706	€ 27.383	€ 28.000	€ 29.135	€ 30.285	€ 30.733	€ 34.788	€ 35.581	€ 36.380	€ 37.168	€ 38.302	€ 38.927	€ 39.934	€ 40.723	€ 2.468	€ 404	
800 cm		€ 16.307	€ 17.127	€ 18.162	€ 19.308	€ 20.664	€ 24.813	€ 25.642	€ 26.833	€ 27.912	€ 28.644	€ 29.314	€ 30.500	€ 31.697	€ 32.207	€ 36.426	€ 37.272	€ 38.124	€ 38.964	€ 40.150	€ 40.826	€ 41.886	€ 42.730	€ 2.588	€ 433	
850 cm		€ 16.618	€ 17.449	€ 18.496	€ 19.653	€ 21.021	€ 25.312	€ 26.154	€ 27.356	€ 28.448	€ 29.188	€ 29.871	€ 31.068	€ 32.276	€ 32.794	€ 37.140	€ 37.998	€ 38.859	€ 39.715	€ 40.912	€ 41.591	€ 42.664	€ 43.518	€ 2.708	€ 462	
900 cm		€ 16.932	€ 17.774	€ 18.829	€ 19.998	€ 21.377	€ 25.813	€ 26.666	€ 27.880	€ 28.983	€ 29.984	€ 30.724	€ 31.979	€ 32.856	€ 33.381	€ 37.853	€ 39.142	€ 40.017	€ 40.889	€ 42.100	€ 42.788	€ 43.441	€ 44.308	€ 2.827	€ 492	
950 cm		€ 17.237	€ 18.091	€ 19.160	€ 20.339	€ 21.728	€ 26.304	€ 27.164	€ 28.390	€ 29.508	€ 30.517	€ 31.268	€ 32.535	€ 33.424	€ 33.961	€ 38.556	€ 39.856	€ 40.741	€ 41.623	€ 42.846	€ 43.544	€ 44.210	€ 45.086	€ 2.947	€ 521	
1000 cm		€ 17.543	€ 18.407	€ 19.486	€ 20.677	€ 22.108	€ 26.843	€ 27.784	€ 29.065	€ 30.239	€ 31.048	€ 31.810	€ 34.949	€ 36.342	€ 36.996	€ 39.668	€ 40.567	€ 41.465	€ 42.356	€ 46.231	€ 47.039	€ 48.306	€ 49.305	€ 3.067	€ 550	
FS3		€ 234	€ 245	€ 267	€ 294	€ 318	€ 342	€ 367	€ 391	€ 415	€ 439	€ 565	€ 589	€ 613	€ 638	€ 664	€ 688	€ 712	€ 737	€ 761	€ 785	€ 810	€ 834			
FS5-A		€ 43	€ 54	€ 64	€ 73	€ 84	€ 93	€ 105	€ 114	€ 125	€ 135	€ 146	€ 155	€ 166	€ 176	€ 187	€ 196	€ 208	€ 217	€ 228	€ 237	€ 249	€ 258			
FS5-E		€ 59	€ 75	€ 88	€ 100	€ 116	€ 129	€ 144	€ 157	€ 173	€ 185	€ 201	€ 214	€ 229	€ 242	€ 257	€ 270	€ 286	€ 299	€ 314	€ 327	€ 342	€ 355			

FS3	Gutter System (For One Side)
FS5-A	Additional Fabric Support Profile (Standard)
FS5-E	Additional Fabric Support Profile (3 Axis)
FS4	Additional Rail - Al.Plus- 120x150mm for both projection side
FS8	Lighting System
FS9-SPD	Price difference between Al. 50x150mm to Al. 100x150mm Special side beam

FS8	
FS8-S	SPOT
FS8-L	LINEAR
FS8-LR (RGB)	LINEAR (RGB)

LED TYPE & MODULE		
2 LED	3 LED	4 LED
€ 132	€ 160	€ 189
€ 189	€ 245	
€ 240	€ 311	

Notes:

- FS9- Side Beam (Al. 50x150mm) is included in the price for right and left side. For other option which is FS9-S (Al. 100x150mm) Special Side Beam is extra cost. The difference of the cost applies with FS9-SPD option code and for only one side of the pergola.
- FS Flexy Plain/3D or Stam 6002 is included in the price.
- Motor and Remote control is included in the price.
- Palmye Aluminium Coating Catalogue includes the standard colours with no extra cost. For any other type/brand/coulor of paint, price difference and additional delivery duration shall be checked from your customer representative.
- Standard fabric support profile plastic colours are specified in Palmye Aluminium Coating Catalogue.
- The gutter option price is for one side and must be added separately for each side.
- In pergolas including steel front pillars, if gutter option is preferred, external water drainage points will be specified according to the Project and will be priced additionally.

DEDUCTIONS

Price deduction is applicable only for pillars and beam. Deduction amount shall be consider as 70% of related option price.

OPTIONS

FS10	Extra pillar (100x100mm Al.)	€ 532	pcs
FS10-ST3	Extra pillar (100x100x3mm St.)	€ 510	pcs
FS10-ST5	Extra pillar (100x100x5mm St.)	€ 744	pcs
FS11	Deco ceiling cover	€ 70	m ²
FS15	Side beam pillar (50x100mm - Al)	€ 276	pcs
FS15-B	Side beam pillar (100x100mm - Al)	€ 532	pcs
FS19	Fix louver	€ 73	lm
FS23	External Square Downpipe	€ 326	pcs
FS24	W96 Ceiling Cover	€ 81	m ²
FS26	Exclusive fabric difference (up to 800cm width)	€ 48	m ²
FS29-1	Sun Sensor (SUNIS) (for single motor)	€ 604	pcs
FS29-1S	Sun Sensor (SUNIS) (for synchronized motor)	€ 962	pcs
FS29-2	Wind Sensor (EOLIS RTS) (for single motor)	€ 284	pcs
FS29-2S	Wind Sensor (EOLIS RTS) (for synchronized motor)	€ 639	pcs
FS29-3	Sun and Wind Sensor (SOLIRIS RTS) (for single motor)	€ 322	pcs
FS29-3S	Sun and Wind Sensor (SOLIRIS RTS) (for synchronized motor)	€ 676	pcs
FS29-4 ^{2/3}	Rain Sensor (ONDEIS) (for single motor)	€ 558	pcs
FS29-4S ^{2/3}	Rain Sensor (ONDEIS) (for synchronized motor)	€ 912	pcs
FS30	CONNEXOON	€ 510	pcs

Notes:

1. Fabric support profiles can be painted in the same color as the general construction. No fee is paid for this process. However, the plastic color should be specified from our standard plastic colours in Palmiye Color Chart.
2. For one product, a dry contact transmitter costing 358€, must be added.
3. Up to 5 products, a RS485 Automation interface dry contact transmitter costing 1094€, must be added.

EXTENSIONS

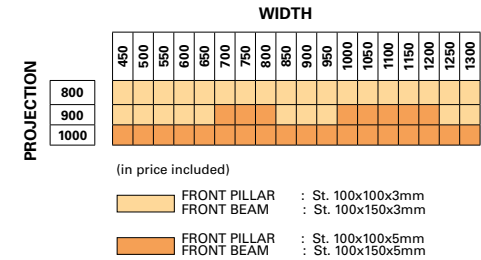
Rail	Plus - 120x150mm	€ 328	lm
Beam	Al. 100x150mm	€ 151	lm
Beam	St. 100x150x3mm	€ 310	lm
Beam	St. 100x150x5mm	€ 377	lm
Beam	St. 100x200x3mm	€ 315	lm
Beam	St. 100x200x5mm	€ 449	lm
Fabric protection cover	Al. - 63x___cm	€ 59	m ²
Gutter	Special Profile	€ 44	lm
Pillar	Al. 100x100mm	€ 168	lm
Pillar	St. 100x100x3mm	€ 211	lm
Pillar	St. 100x100x5mm	€ 377	lm
Pillar	St. 150x150x3mm	€ 427	lm
Pillar	St. 150x150x5mm	€ 598	lm

*Max. Al. Front pillar (Al. 100x100mm) height is 280cm

*Max. St. 3mm. Front pillar (St. 100x100x3mm) height is 380cm

*Max. St. 5mm Front pillar (St. 100x100x5mm) height is 480cm

STANDARD CONSTRUCTION

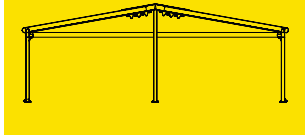


PRICE DIFFERENCE

		BEAM GROUP	
		Standard	St. 100x150x3mm
Front Beam			
	to	St. 100x150x5mm	€ 76 lm
		St. 100x200x3mm	€ 4 lm
		St. 100x200x5mm	€ 146 lm

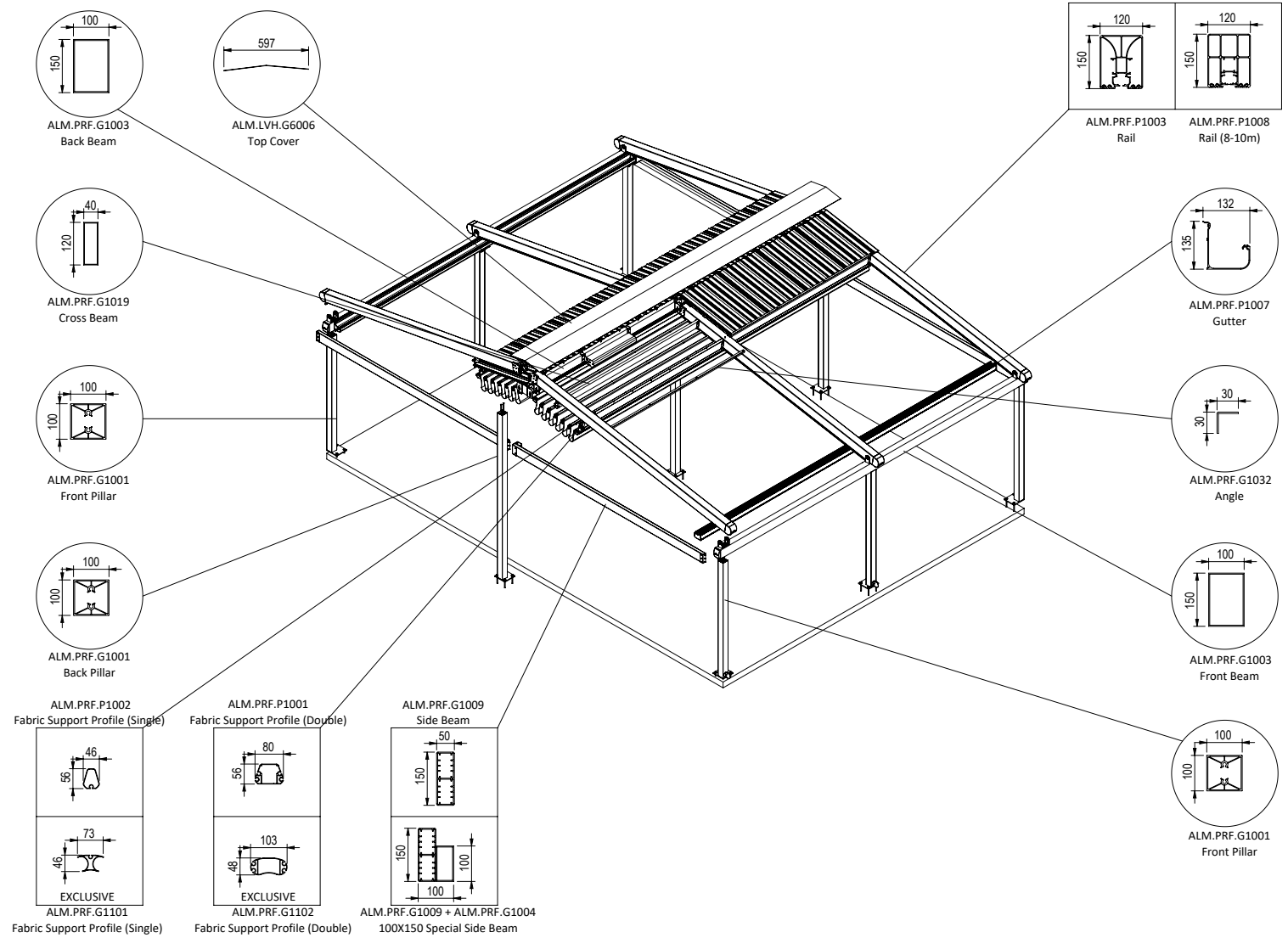
		PILLAR GROUP	
		Standard	St. 100x100x3mm
Front Pillar			
	to	St. 100x100x5mm	€ 337 pcs
		St. 150x150x3mm	€ 570 pcs
		St. 150x150x5mm	€ 1.090 pcs

SILVER Twin



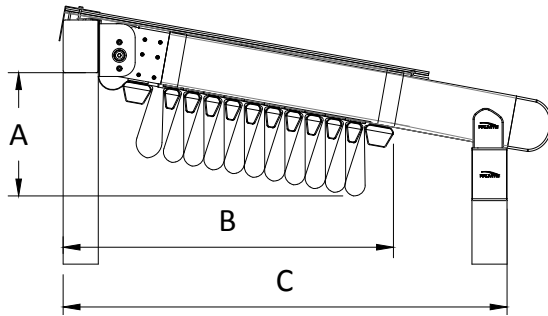
MAXIMUM DIMENSIONS

	WIDTH	PROJECTION
2 RAILS	450 cm	2000 cm
3 RAILS	900 cm	2000 cm
4 RAILS	1300 cm	1400 cm



TECHNICAL FEATURES

COLLECTED FABRIC DIMENSIONS



	185	225	284	334	383	433	482	532	581	631	680	729	779	828	878	927	977	C
4	34																	61
5		35																68
6			36															74
7				37														81
8					38													87
9						39												94
10							40											100
11								41										107
12									42									113
14										44								126
15											45							133
17												46						146
18													47					152
19														48				159
20															49			165
21																50		172
																	51	172

DRAINAGE CALCULATION

Type	Max. m ²
Full	39 m ² /pc
Half	18 m ² /pc

* per drainage

There should be at least one drainage, each 8 m length gutter.

MINIMUM SLOPE CHART

Slope	Rail Center										
	200	225	250	275	300	325	350	375	400	425	450
6,4-7,9%	16	19	21	24	26	28	30	33	35	38	40
7,4-8,8%	20	23	26	29	31	34	37	40	42	45	48
8,4-9,7%	23	27	30	34	37	40	43	46	49	53	56
9,4-10,8%	27	31	35	39	42	46	49	53	57	61	64
10,4-12%	32	36	40	44	48	52	56	60	64	69	73
11,2-12,7%	36	41	45	50	54	59	63	68	72	77	81
12-13,4%	40	45	50	55	60	65	70	75	80	85	90
13-14,5%	44	50	55	61	66	72	77	83	88	94	99
14-15,7%	49	55	61	67	72	78	84	90	96	102	108
15-16,8%	54	60	66	73	79	85	91	98	104	111	117
16-17,6%	59	66	72	79	85	92	99	106	112	119	126
	63	70	77	85	92	99	106	114	121	129	136
	67	75	82	91	99	106	113	122	130	138	146
	71	79	87	97	106	113	120	130	139	148	156
	75	84	92	103	113	120	127	138	148	157	166
	79	88	97	109	120	127	134	146	157	167	176

*Note: Max. slope can be up to 25%

For back height of system 30 cm should be added to slope value.

WIDTH (cm)

	450	500	550	600	650	700	750	800	850	900	950	1000	1050	1100	1150	1200	1250	1300
800	11	11	11	11	11	10	10	10	10	9	11	11	11	11	11	11	11	11
900	11	11	11	11	10	10	10	9	9	9	11	11	11	11	11	11	10	10
1000	11	11	10	10	10	10	9	9	9	8	11	11	10	10	10	10	10	10
1100	11	11	10	10	10	9	9	9	8	8	11	11	10	10	10	10	10	10
1200	10	10	10	10	9	9	8	8	8	8	10	10	10	10	10	10	9	9
1300	10	10	9	9	9	8	8	8	8	8	10	10	9	9	9	9	9	9
1400	9	9	9	9	8	8	8	8	8	7	9	9	9	9	9	8	8	8
1500	9	9	8	8	8	8	8	7	7	7	9	9	8	8	8	8	8	8
1600	8	8	8	8	8	7	7	7	7	7	8	8	8	8	8	8	8	8
1700	8	8	8	7	7	7	7	7	7	7	8	8	8	8	7	7	7	7
1800	8	8	7	7	7	7	7	7	7	7	8	8	7	7	7	7	7	7
1900	7	7	7	7	7	7	7	7	7	7	7	7	7	7	7	7	7	7
2000	7	7	7	7	7	7	7	7	7	7	7	7	7	7	7	7	7	7

All sides open

*The values are given according to the Beaufort scale.

**Calculated for Products with a front height of 250 cm according to Eurocode EN 1991-1-4 Terrain Category 4.

*** You can ask for new calculations for special designs.

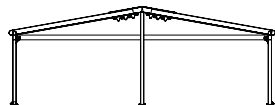
WIND RESISTANCE

WIDTH (cm)

	450	500	550	600	650	700	750	800	850	900	950	1000	1050	1100	1150	1200	1250	1300
800	9	9	9	8	8	8	7	7	7	7	9	9	9	9	8	8	8	8
900	9	9	8	8	8	7	7	7	7	7	9	9	8	8	8	8	8	8
1000	9	8	8	8	7	7	7	7	7	7	9	8	8	8	8	8	8	7
1100	9	8	8	7	7	7	7	7	7	7	9	8	8	8	7	7	7	7
1200	8	8	8	7	7	7	7	7	7	7	8	8	8	8	7	7	7	7
1300	8	8	7	7	7	7	7	7	7	7	8	8	7	7	7	7	7	7
1400	8	8	7	7	7	7	7	7	7	7	8	8	7	7	7	7	7	7
1500	8	7	7	7	7	7	7	7	7	7	8	7	7	7	7	7	7	7
1600	8	7	7	7	7	7	7	7	7	7	8	7	7	7	7	7	7	7
1700	8	7	7	7	7	7	7	7	7	7	6	8	7	7	7	7	7	7
1800	7	7	7	7	7	7	7	7	6	6	6	7	7	7	7	7	7	7
1900	7	7	7	7	7	7	7	6	6	6	6	7	7	7	7	7	7	7
2000	7	7	7	7	7	7	6	6	6	6	6	7	7	7	7	7	7	7

With side enclosure

SILVER Twin



Projection
Width

Projection	2 RAILS					3 RAILS									4 RAILS									FS4	FS9-SPD
	250 cm	300 cm	350 cm	400 cm	450 cm	500 cm	550 cm	600 cm	650 cm	700 cm	750 cm	800 cm	850 cm	900 cm	950 cm	1000 cm	1050 cm	1100 cm	1150 cm	1200 cm	1250 cm	1300 cm			
400 cm	€ 12.767	€ 13.390	€ 14.265	€ 15.156	€ 15.779	€ 18.534	€ 19.141	€ 19.750	€ 20.903	€ 21.415	€ 21.839	€ 22.439	€ 23.044	€ 23.648	€ 26.688	€ 27.284	€ 27.886	€ 28.488	€ 29.091	€ 29.559	€ 30.362	€ 31.295	€ 1.631	€ 196	
450 cm	€ 13.050	€ 13.839	€ 14.703	€ 15.470	€ 16.101	€ 18.988	€ 19.774	€ 20.390	€ 21.392	€ 21.912	€ 22.348	€ 23.124	€ 23.904	€ 24.353	€ 27.342	€ 27.950	€ 28.728	€ 29.339	€ 29.951	€ 30.426	€ 31.246	€ 32.186	€ 1.750	€ 225	
500 cm	€ 13.330	€ 14.285	€ 15.139	€ 15.783	€ 16.421	€ 19.443	€ 20.404	€ 21.028	€ 21.877	€ 22.408	€ 22.855	€ 23.808	€ 24.764	€ 25.057	€ 27.995	€ 28.615	€ 29.568	€ 30.186	€ 30.811	€ 31.293	€ 32.126	€ 33.075	€ 1.870	€ 255	
550 cm	€ 13.827	€ 14.837	€ 15.745	€ 16.445	€ 17.139	€ 20.357	€ 21.375	€ 22.057	€ 22.964	€ 23.546	€ 24.052	€ 25.059	€ 26.075	€ 26.426	€ 29.520	€ 30.198	€ 31.209	€ 31.884	€ 32.567	€ 33.098	€ 33.986	€ 34.991	€ 1.990	€ 284	
600 cm	€ 14.321	€ 15.390	€ 16.350	€ 17.106	€ 17.859	€ 21.270	€ 22.344	€ 23.088	€ 24.050	€ 24.682	€ 25.248	€ 26.311	€ 27.386	€ 27.795	€ 31.046	€ 31.782	€ 32.853	€ 33.582	€ 34.324	€ 34.902	€ 35.845	€ 36.905	€ 2.109	€ 313	
650 cm	€ 14.770	€ 15.690	€ 16.663	€ 17.585	€ 18.348	€ 21.903	€ 22.824	€ 23.742	€ 24.719	€ 25.357	€ 25.933	€ 27.011	€ 28.102	€ 28.515	€ 32.047	€ 32.793	€ 33.711	€ 34.453	€ 35.365	€ 35.955	€ 36.909	€ 37.816	€ 2.229	€ 344	
700 cm	€ 15.221	€ 15.994	€ 16.976	€ 18.065	€ 18.837	€ 22.537	€ 23.308	€ 24.399	€ 25.388	€ 26.033	€ 26.620	€ 27.711	€ 28.820	€ 29.235	€ 33.049	€ 33.807	€ 34.571	€ 35.324	€ 36.411	€ 37.007	€ 37.973	€ 38.727	€ 2.349	€ 373	
750 cm	€ 15.516	€ 16.299	€ 17.292	€ 18.392	€ 19.175	€ 23.006	€ 23.788	€ 24.891	€ 25.890	€ 26.546	€ 27.144	€ 28.244	€ 29.359	€ 29.793	€ 33.724	€ 34.493	€ 35.267	€ 36.031	€ 37.131	€ 37.736	€ 38.713	€ 39.478	€ 2.468	€ 404	
800 cm	€ 15.808	€ 16.603	€ 17.606	€ 18.717	€ 19.512	€ 23.475	€ 24.268	€ 25.382	€ 26.388	€ 27.057	€ 27.666	€ 28.775	€ 29.895	€ 30.349	€ 34.398	€ 35.178	€ 35.964	€ 36.738	€ 37.847	€ 38.462	€ 39.449	€ 40.227	€ 2.588	€ 433	
850 cm	€ 16.110	€ 16.916	€ 17.930	€ 19.052	€ 19.857	€ 23.959	€ 24.764	€ 25.890	€ 26.908	€ 27.584	€ 28.206	€ 29.326	€ 30.457	€ 30.918	€ 35.091	€ 35.882	€ 36.676	€ 37.465	€ 38.585	€ 39.203	€ 40.203	€ 40.991	€ 2.708	€ 462	
900 cm	€ 16.414	€ 17.230	€ 18.254	€ 19.386	€ 20.203	€ 24.444	€ 25.261	€ 26.397	€ 27.426	€ 28.111	€ 28.744	€ 29.875	€ 31.018	€ 31.488	€ 35.782	€ 36.585	€ 37.389	€ 38.191	€ 39.322	€ 39.947	€ 40.956	€ 41.756	€ 2.827	€ 492	
950 cm	€ 16.710	€ 17.537	€ 18.574	€ 19.717	€ 20.543	€ 24.921	€ 25.744	€ 26.891	€ 27.935	€ 28.628	€ 29.271	€ 30.413	€ 31.569	€ 32.049	€ 36.464	€ 37.278	€ 38.091	€ 38.902	€ 40.045	€ 40.680	€ 41.702	€ 42.511	€ 2.947	€ 521	
1000 cm	€ 17.006	€ 17.845	€ 18.890	€ 20.044	€ 20.881	€ 25.393	€ 26.226	€ 27.386	€ 28.442	€ 29.142	€ 29.797	€ 32.753	€ 34.018	€ 35.950	€ 37.142	€ 37.967	€ 38.793	€ 39.613	€ 43.327	€ 44.068	€ 45.192	€ 47.959	€ 3.067	€ 550	
1050 cm	€ 17.526	€ 18.575	€ 19.675	€ 20.886	€ 21.777	€ 26.500	€ 27.557	€ 28.608	€ 29.888	€ 30.640	€ 31.349	€ 34.366	€ 35.687	€ 37.842	€ 39.005	€ 39.911	€ 40.958	€ 41.836	€ 45.609	€ 46.393	€ 47.574	€ 50.563	€ 3.199	€ 579	
1100 cm	€ 18.045	€ 19.306	€ 20.461	€ 21.726	€ 22.672	€ 27.610	€ 28.886	€ 29.831	€ 31.333	€ 32.137	€ 32.904	€ 35.979	€ 38.642	€ 39.735	€ 40.867	€ 41.854	€ 43.125	€ 44.061	€ 47.888	€ 48.720	€ 51.745	€ 55.166	€ 3.334	€ 608	
1150 cm	€ 18.361	€ 19.634	€ 20.801	€ 22.075	€ 23.032	€ 28.104	€ 29.395	€ 30.351	€ 31.862	€ 32.675	€ 33.453	€ 36.539	€ 39.215	€ 40.317	€ 41.594	€ 42.567	€ 43.851	€ 44.798	€ 48.636	€ 49.475	€ 52.512	€ 53.944	€ 3.467	€ 636	
1200 cm	€ 18.679	€ 19.963	€ 21.143	€ 22.426	€ 23.392	€ 28.600	€ 29.906	€ 30.873	€ 32.391	€ 34.831	€ 35.714	€ 37.100	€ 39.788	€ 40.902	€ 44.512	€ 45.564	€ 46.952	€ 48.004	€ 51.048	€ 51.959	€ 53.281	€ 54.724	€ 3.600	€ 666	
1250 cm	€ 18.990	€ 20.286	€ 21.475	€ 22.768	€ 23.748	€ 29.093	€ 30.409	€ 31.388	€ 32.918	€ 35.295	€ 36.183	€ 37.579	€ 40.268	€ 41.397	€ 45.212	€ 46.278	€ 47.590	€ 48.736	€ 51.794	€ 52.710	€ 54.044	€ 55.499	€ 3.734	€ 695	
1300 cm	€ 19.297	€ 20.608	€ 21.804	€ 23.108	€ 24.102	€ 29.582	€ 30.909	€ 31.900	€ 33.442	€ 35.755	€ 36.650	€ 39.280	€ 40.746	€ 41.889	€ 45.910	€ 46.989	€ 48.226	€ 49.469	€ 52.536	€ 53.461	€ 54.806	€ 56.272	€ 3.867	€ 725	
1350 cm	€ 19.612	€ 20.928	€ 22.135	€ 23.453	€ 24.455	€ 30.075	€ 31.409	€ 32.415	€ 33.966	€ 36.284	€ 37.194	€ 39.833	€ 41.317	€ 42.462	€ 46.608	€ 47.698	€ 49.028	€ 50.198	€ 53.279	€ 54.210	€ 55.568	€ 57.042	€ 4.000	€ 754	
1400 cm	€ 19.924	€ 21.250	€ 22.468	€ 23.799	€ 24.808	€ 31.808	€ 33.245	€ 34.357	€ 36.014	€ 36.813	€ 37.736	€ 40.388	€ 41.887	€ 43.036	€ 47.308	€ 48.405	€ 49.832	€ 52.528	€ 54.023	€ 54.959	€ 56.332	€ 57.813	€ 4.133	€ 784	
1450 cm	€ 21.296	€ 22.632	€ 23.861	€ 25.199	€ 26.219	€ 33.357	€ 34.805	€ 35.926	€ 37.598	€ 38.404	€ 39.336	€ 41.997	€ 43.506	€ 44.669	€ 49.065	€ 50.173	€ 51.610	€ 54.319	€ 55.823	€ 56.770	€ 58.150	€ 60.538	€ 4.267	€ 1.593	
1500 cm	€ 21.606	€ 22.954	€ 24.192	€ 25.539	€ 26.570	€ 33.846	€ 35.307	€ 36.435	€ 38.121	€ 38.935	€ 41.037	€ 42.548	€ 44.064	€ 45.848	€ 49.763	€ 52.358	€ 53.868	€ 55.050	€ 56.561	€ 57.519	€ 58.908	€ 61.300	€ 4.400	€ 1.623	
1550 cm	€ 22.125	€ 23.528	€ 24.823	€ 26.226	€ 27.312	€ 34.789	€ 36.309	€ 37.493	€ 39.236	€ 40.099	€ 42.259	€ 43.826	€ 45.398	€ 47.243	€ 51.325	€ 53.976	€ 55.545	€ 56.783	€ 58.352	€ 59.359	€ 61.751	€ 64.143	€ 4.533	€ 1.652	
1600 cm	€ 22.645	€ 24.104	€ 25.452	€ 26.912	€ 28.055	€ 35.731	€ 37.310	€ 38.551	€ 40.349	€ 42.362	€ 43.480	€ 45.104	€ 46.731	€ 48.639	€ 54.299	€ 55.594	€ 57.221	€ 58.515	€ 60.143	€ 61.197	€ 64.583	€ 67.975	€ 4.667	€ 1.682	
1650 cm	€ 23.165	€ 24.681	€ 26.081	€ 27.597	€ 28.799	€ 36.673	€ 38.312	€ 39.609	€ 41.461	€ 43.526	€ 44.702	€ 46.382	€ 48.064	€ 50.035	€ 55.861	€ 57.212	€ 58.897	€ 60.248	€ 61.933	€ 63.077	€ 65.762	€ 68.447	€ 4.800	€ 1.712	
1700 cm	€ 23.685	€ 25.257	€ 26.710	€ 28.282	€ 29.542	€ 37.615	€ 39.314	€ 40.668	€ 43.611	€ 44.689	€ 45.924	€ 47.660	€ 49.985	€ 51.432	€ 57.423	€ 58.830	€ 60.574	€ 61.981	€ 63.724	€ 64.868	€ 67.611	€ 70.354	€ 4.933	€ 1.741	
1750 cm	€ 24.204	€ 25.833	€ 27.339	€ 28.968	€ 30.286	€ 38.557	€ 40.316	€ 41.726	€ 44.724	€ 45.853	€ 47.146	€ 48.938	€ 51.318	€ 52.828	€ 58.985	€ 60.448	€ 62.250	€ 63.713	€ 65.867	€ 67.320	€ 70.063	€ 72.806	€ 5.066	€ 1.771	
1800 cm	€ 25.396	€ 26.410	€ 27.968	€ 29.653	€ 31.030	€ 39.498	€ 42.823	€ 45.309	€ 47.431	€ 48.656	€ 50.052	€ 51.945	€ 54.424	€ 56.042	€ 62.747	€ 64.312	€ 66.216	€ 67.781	€ 70.624	€ 72.177	€ 75.020	€ 77.863	€ 5.200	€ 1.800	
1850 cm	€ 25.916	€ 26.986	€ 28.597	€ 30.339	€ 31.773	€ 40.440	€ 43.825	€ 46.367	€ 48.544	€ 49.820	€ 51.273	€ 53.223	€ 55.757	€ 57.439	€ 64.309	€ 65.930	€ 67.893	€ 69.900	€ 72.957	€ 74.000	€ 77.057	€ 79.114	€ 5.333	€ 1.830	
1900 cm	€ 26.436	€ 27.562	€ 29.226	€ 31.024	€ 32.517	€ 41.382	€ 44.826	€ 47.425	€ 49.657	€ 50.983	€ 52.495	€ 54.501	€ 57.089	€ 58.835	€ 65.871	€ 67.548	€ 69.569	€ 71.640	€ 74.707	€ 75.750	€ 78.817	€ 80.884	€ 5.466	€ 1.860	
1950 cm	€ 26.956	€ 28.139	€ 29.855	€ 31.710	€ 33.260	€ 42.324	€ 45.828	€ 48.483	€ 50.770	€ 52.147	€ 53.717	€ 55.779	€ 58.422	€ 60.231	€ 67.432	€ 69.166	€ 71.347	€ 73.528	€ 76.605	€ 77.648	€ 80.725	€ 82.802	€ 5.601	€ 1.889	
2000 cm	€ 27.476	€ 28.715	€ 30.484	€ 32.395	€ 34.004	€ 44.726	€ 47.742	€ 49.541	€ 51.882	€ 53.310	€ 54.939	€ 57.058	€ 59.755	€ 61.628	€ 68.994	€ 70.784	€ 73.065	€ 75.346	€ 78.423	€ 79.466	€ 82.543	€ 84.620	€ 5.733	€ 1.919	

Side beam pillar is included in the price

FS3	€ 234	€ 245	€ 267	€ 294	€ 318	€ 342	€ 367	€ 391	€ 415	€ 439	€ 565	€ 589	€ 613	€ 638	€ 664	€ 688	€ 712	€ 737	€ 761	€ 785	€ 810	€ 834
FS5-A	€ 43	€ 54	€ 64	€ 73	€ 84	€ 93	€ 105	€ 114	€ 125	€ 135	€ 146	€ 155	€ 166	€ 176	€ 187	€ 196	€ 208	€ 217	€ 228	€ 237	€ 249	€ 258
FS5-E	€ 59	€ 75	€ 88	€ 100	€ 116	€ 129	€ 144	€ 157	€ 173	€ 185	€ 201	€ 214	€ 229	€ 242	€ 257	€ 270	€ 286	€ 299	€ 314	€ 327	€ 342	€ 355

FS3	Gutter System (For One Side)
FS5-A	Additional Fabric Support Profile (Standard)
FS5-E	Additional Fabric Support Profile (3 Axis)
FS4	Additional Rail - Al.Plus- 120x150mm for both projection side
FS8	Lighting System
FS9-SPD	Price difference between Al. 50x150mm to Al. 100x150mm Special side beam

LED TYPE & MODULE				
FS8		2 LED	3 LED	4 LED
FS8-S	SPOT	€ 132	€ 160	€ 189
FS8-L	LINEAR	€ 189	€ 245	
FS8-LR (RGB)				

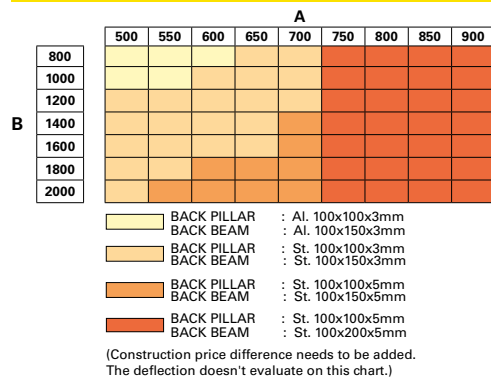
OPTIONS

FS10	Extra pillar (100x100mm Al.)	€ 532	pcs
FS10-ST3	Extra pillar (100x100x3mm St.)	€ 510	pcs
FS10-ST5	Extra pillar (100x100x5mm St.)	€ 744	pcs
FS11	Deco ceiling cover	€ 70	m ²
FS15	Side beam pillar (50x100mm - Al)	€ 276	pcs
FS15-B	Side beam pillar (100x100mm - Al)	€ 532	pcs
FS19	Fix louver	€ 73	lm
FS23	External Square Downpipe	€ 326	pcs
FS24	W96 Ceiling Cover	€ 81	m ²
FS26	Exclusive fabric difference (up to 800cm width)	€ 48	m ²
FS29-1	Sun Sensor (SUNIS) (for single motor)	€ 604	pcs
FS29-1S	Sun Sensor (SUNIS) (for synchronized motor)	€ 962	pcs
FS29-2	Wind Sensor (EOLIS RTS) (for single motor)	€ 284	vpcs
FS29-2S	Wind Sensor (EOLIS RTS) (for synchronized motor)	€ 639	pcs
FS29-3	Sun and Wind Sensor (SOLIRIS RTS) (for single motor)	€ 322	pcs
FS29-3S	Sun and Wind Sensor (SOLIRIS RTS) (for synchronized motor)	€ 676	pcs
FS29-4 ^{2/3}	Rain Sensor (ONDEIS) (for single motor)	€ 558	pcs
FS29-4S ^{2/3}	Rain Sensor (ONDEIS) (for synchronized motor)	€ 912	pcs
FS30	CONNEXOON	€ 510	pcs

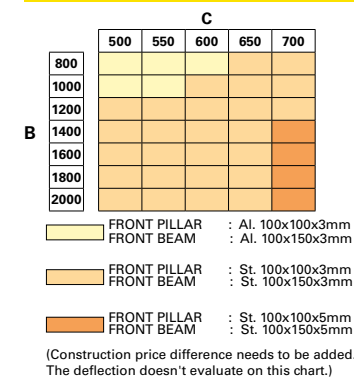
Notes:

1. Fabric support profiles can be painted in the same color as the general construction. No fee is paid for this process. However, the plastic color should be specified from our standard plastic colours in Palmiye Color Chart.
2. For one product, a dry contact transmitter costing 358€, must be added.
3. Up to 5 products, a RS485 Automation interface dry contact transmitter costing 1094€, must be added.

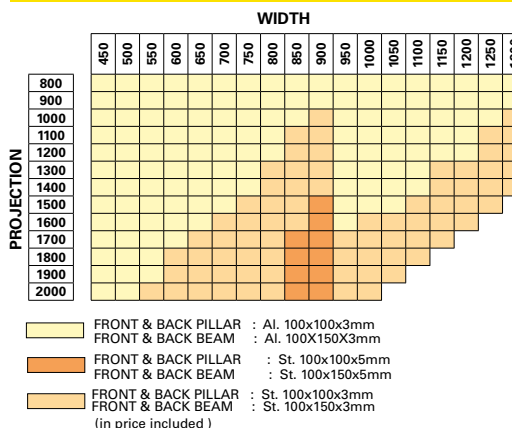
BACK PILLAR POSITION CHANGE



FRONT PILLAR POSITION CHANGE



STANDARD CONSTRUCTION



PRICE DIFFERENCE

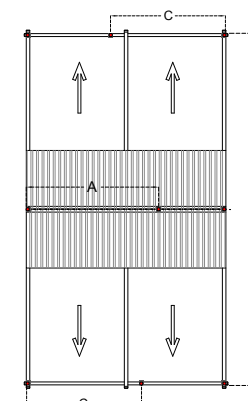
		BEAM GROUP	
		Standard	Al. 100x150mm
Beam	to	St. 100x150x3mm	€ 155 lm
		St. 100x150x5mm	€ 231 lm
		St. 100x200x3mm	€ 160 lm
		St. 100x200x5mm	€ 302 lm
		PILLAR GROUP	
		Standard	Al. 100x100mm
Pillar	to	St. 100x100x3mm	€ 108 pcs
		St. 100x100x5mm	€ 443 pcs
		St. 150x150x3mm	€ 677 pcs
		St. 150x150x5mm	€ 1.197 pcs

EXTENSIONS

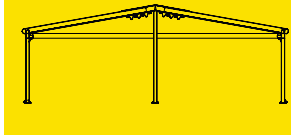
Extensions of Standard Profiles

Rail	Plus - 120x150mm	€ 328	lm
Beam	Al. 100x150mm	€ 151	lm
Beam	St. 100x150x3mm	€ 310	lm
Beam	St. 100x150x5mm	€ 377	lm
Beam	St. 100x200x3mm	€ 315	lm
Beam	St. 100x200x5mm	€ 449	lm
Fabric protection cover	Al. - 63x__cm	€ 59	m ²
Gutter	Special Profile	€ 44	lm
Pillar	Al. 100x100mm	€ 168	lm
Pillar	St. 100x100x3mm	€ 211	lm
Pillar	St. 100x100x5mm	€ 377	lm
Pillar	St. 150x150x3mm	€ 427	lm
Pillar	St. 150x150x5mm	€ 598	lm

- *Max. Al. Front pillar (Al. 100x100mm) height is 280cm
- *Max. St 3mm. Front pillar (St. 100x100x3mm) height is 380cm
- *Max. St. 5mm Front pillar (St. 100x100x5mm) height is 480cm

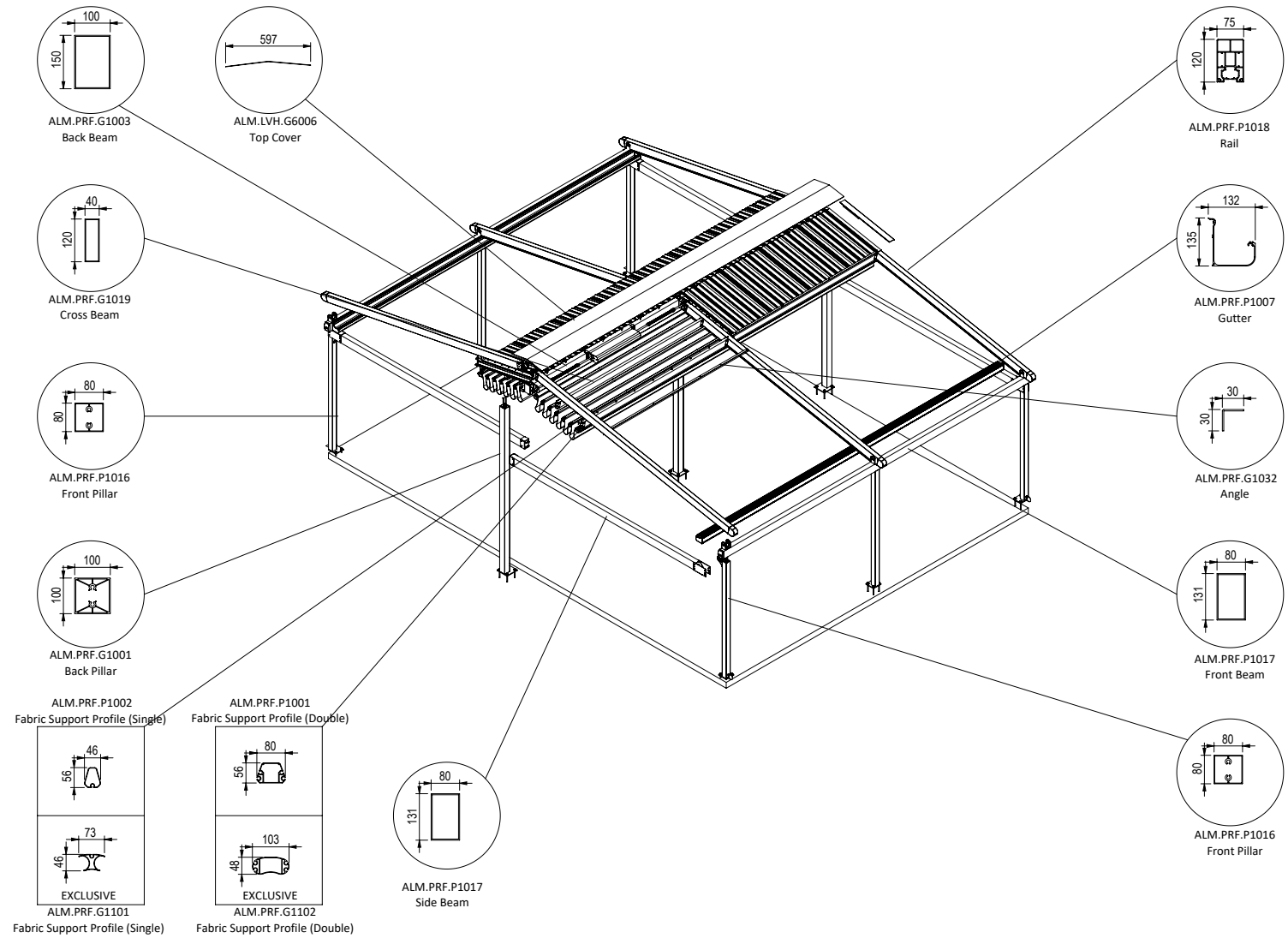


SILVER Compact Twin



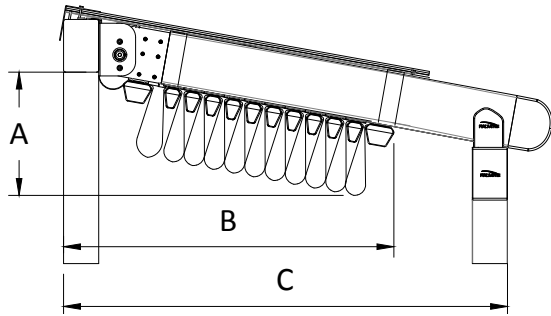
MAXIMUM DIMENSIONS

	WIDTH	PROJECTION
2 RAILS	450 cm	1200 cm
3 RAILS	900 cm	1200 cm
4 RAILS	1300 cm	1200 cm



TECHNICAL FEATURES

COLLECTED FABRIC DIMENSIONS



Projection cm	
	185 235 284 334 383 433 482 532 581 C
No of Fabric Support Profiles	
4	34 61
5	35 68
6	36 74
7	37 81
8	38 87
9	39 94
10	40 100
11	41 107
13	43 120

*Calculated according to a slope of 15%

DRAINAGE CALCULATION

Type	Max. m ²
Compact	30 m ² /pc

* per drainage

There should be at least one drainage, each 8 m length gutter.

MINIMUM SLOPE CHART

Slope	6,4-7,9%	7,4-8,8%	8,4-9,7%	9,4-10,8%	10,4-12%	11,2-12,7%	12-13,4%	13-14,5%	14-15,7%	15-16,6%	16-17,6%
-------	----------	----------	----------	-----------	----------	------------	----------	----------	----------	----------	----------

Rail Center

		200	225	250	275	300	325	350	375	400	425	450
Projection	250	11	14	16	19	21	23	25	28	30	33	35
	300	15	18	21	24	26	29	32	35	37	40	43
	350	18	22	25	29	32	35	38	41	44	48	51
	400	22	26	30	34	37	41	44	48	52	56	59
	450	27	31	35	39	43	47	51	55	59	64	68
	500	31	36	40	45	49	54	58	63	67	72	76
	550	35	40	45	50	55	60	65	70	75	80	85
	600	39	45	50	56	61	67	72	78	83	89	94

*Note: Max. slope can be up to 25%

For back height of system 25 cm should be added to slope value.

WIND RESISTANCE

PROJECTION (cm)	WIDTH (cm)																	
	450	500	550	600	650	700	750	800	850	900	950	1000	1050	1100	1150	1200	1250	1300
800	11	10	10	10	10	10	9	9	9	9	10	10	10	10	10	10	10	10
900	10	9	9	9	9	9	9	9	8	8	9	9	9	9	9	9	9	9
1000	10	9	9	9	9	8	8	8	8	8	9	9	9	9	9	9	9	9
1100	9	8	8	8	8	8	8	7	7	7	8	8	8	8	8	8	8	8
1200	8	8	8	7	7	7	7	7	7	6	8	8	8	8	7	7	7	7

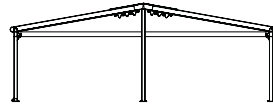
PROJECTION (cm)	WIDTH (cm)																	
	450	500	550	600	650	700	750	800	850	900	950	1000	1050	1100	1150	1200	1250	1300
800	8	8	8	7	7	7	6	6	6	6	8	8	8	8	7	7	7	7
900	8	7	7	7	7	7	6	6	6	6	8	7	7	7	7	7	7	7
1000	7	7	7	7	7	7	6	6	6	6	7	7	7	7	7	7	7	7
1100	7	7	6	6	6	6	6	6	6	6	7	7	6	6	6	6	6	6
1200	6	6	6	6	6	6	6	6	5	5	6	6	6	6	6	6	6	6

*The values are given according to the Beaufort scale.

**Calculated for Products with a front height of 250 cm according to Eurocode EN 1991-1-4 Terrain Category 4.

*** You can ask for new calculations for special designs.

SILVER Compact Twin



Projection	Width	2 RAILS					3 RAILS									4 RAILS							FS4 FS10-C	
		250 cm	300 cm	350 cm	400 cm	450 cm	500 cm	550 cm	600 cm	650 cm	700 cm	750 cm	800 cm	850 cm	900 cm	950 cm	1000 cm	1050 cm	1100 cm	1150 cm	1200 cm	1250 cm		1300 cm
400 cm		€ 10.345	€ 10.847	€ 11.550	€ 12.268	€ 12.768	€ 14.994	€ 15.481	€ 15.968	€ 16.894	€ 17.303	€ 17.641	€ 18.119	€ 18.603	€ 19.084	€ 21.530	€ 22.004	€ 22.483	€ 22.961	€ 23.441	€ 23.810	€ 24.450	€ 25.191	€ 1.731
450 cm		€ 10.563	€ 11.199	€ 11.894	€ 12.510	€ 13.018	€ 15.346	€ 15.976	€ 16.468	€ 17.272	€ 17.686	€ 18.034	€ 18.654	€ 19.277	€ 19.634	€ 22.037	€ 22.519	€ 23.139	€ 23.624	€ 24.110	€ 24.484	€ 25.135	€ 25.884	€ 1.830
500 cm		€ 10.779	€ 11.549	€ 12.234	€ 12.750	€ 13.263	€ 15.697	€ 16.470	€ 16.968	€ 17.646	€ 18.070	€ 18.425	€ 19.186	€ 19.952	€ 20.181	€ 22.541	€ 23.032	€ 23.792	€ 24.281	€ 24.777	€ 25.157	€ 25.817	€ 26.571	€ 1.929
550 cm		€ 11.170	€ 11.983	€ 12.712	€ 13.272	€ 13.828	€ 16.421	€ 17.235	€ 17.781	€ 18.506	€ 18.968	€ 19.370	€ 20.175	€ 20.986	€ 21.263	€ 23.744	€ 24.282	€ 25.088	€ 25.622	€ 26.162	€ 26.580	€ 27.286	€ 28.084	€ 2.028
600 cm		€ 11.558	€ 12.418	€ 13.187	€ 13.792	€ 14.396	€ 17.139	€ 17.999	€ 18.594	€ 19.361	€ 19.864	€ 20.314	€ 21.163	€ 22.019	€ 22.341	€ 24.946	€ 25.530	€ 26.382	€ 26.960	€ 27.546	€ 28.002	€ 28.749	€ 29.591	€ 2.127
650 cm		€ 11.908	€ 12.647	€ 13.427	€ 14.165	€ 14.776	€ 17.632	€ 18.368	€ 19.101	€ 19.881	€ 20.386	€ 20.844	€ 21.704	€ 22.573	€ 22.897	€ 25.726	€ 26.317	€ 27.044	€ 27.631	€ 28.355	€ 28.817	€ 29.573	€ 30.291	€ 2.224
700 cm		€ 12.259	€ 12.878	€ 13.665	€ 14.536	€ 15.154	€ 18.125	€ 18.739	€ 19.610	€ 20.397	€ 20.910	€ 21.375	€ 22.244	€ 23.126	€ 23.452	€ 26.504	€ 27.104	€ 27.708	€ 28.302	€ 29.164	€ 29.631	€ 30.395	€ 30.989	€ 2.323
750 cm		€ 12.485	€ 13.110	€ 13.905	€ 14.785	€ 15.410	€ 18.483	€ 19.104	€ 19.986	€ 20.781	€ 21.301	€ 21.773	€ 22.650	€ 23.535	€ 23.877	€ 27.019	€ 27.626	€ 28.237	€ 28.839	€ 29.709	€ 30.186	€ 30.957	€ 31.558	€ 2.423
800 cm		€ 12.707	€ 13.341	€ 14.145	€ 15.032	€ 15.665	€ 18.841	€ 19.472	€ 20.359	€ 21.159	€ 21.688	€ 22.170	€ 23.052	€ 23.941	€ 24.297	€ 27.531	€ 28.146	€ 28.766	€ 29.377	€ 30.253	€ 30.735	€ 31.513	€ 32.126	€ 2.522
850 cm		€ 12.938	€ 13.579	€ 14.390	€ 15.285	€ 15.926	€ 19.210	€ 19.850	€ 20.746	€ 21.555	€ 22.090	€ 22.581	€ 23.470	€ 24.366	€ 24.728	€ 28.057	€ 28.680	€ 29.306	€ 29.928	€ 30.813	€ 31.297	€ 32.084	€ 32.702	€ 2.621
900 cm		€ 13.168	€ 13.819	€ 14.636	€ 15.537	€ 16.186	€ 19.579	€ 20.228	€ 21.130	€ 21.948	€ 22.490	€ 22.988	€ 23.884	€ 24.791	€ 25.159	€ 28.580	€ 29.213	€ 29.846	€ 30.477	€ 31.369	€ 31.858	€ 32.653	€ 33.280	€ 2.718
950 cm		€ 13.392	€ 14.050	€ 14.877	€ 15.788	€ 16.443	€ 19.941	€ 20.594	€ 21.504	€ 22.333	€ 22.879	€ 23.386	€ 24.292	€ 25.206	€ 25.582	€ 29.097	€ 29.737	€ 30.375	€ 31.013	€ 31.915	€ 32.409	€ 33.213	€ 33.847	€ 2.817
1000 cm		€ 13.616	€ 14.283	€ 15.116	€ 16.034	€ 16.697	€ 20.299	€ 20.959	€ 21.879	€ 22.715	€ 23.268	€ 23.782	€ 24.695	€ 25.621	€ 26.001	€ 29.608	€ 30.257	€ 30.904	€ 31.548	€ 32.455	€ 32.960	€ 33.769	€ 34.413	€ 2.916
1050 cm		€ 14.019	€ 14.854	€ 15.728	€ 16.690	€ 17.397	€ 21.163	€ 22.001	€ 22.832	€ 23.846	€ 24.439	€ 24.997	€ 25.955	€ 26.924	€ 27.482	€ 31.062	€ 31.773	€ 32.597	€ 33.286	€ 34.238	€ 34.776	€ 35.629	€ 36.447	€ 3.015
1100 cm		€ 14.419	€ 15.421	€ 16.339	€ 17.345	€ 18.094	€ 22.026	€ 23.037	€ 23.784	€ 24.973	€ 25.606	€ 26.210	€ 27.213	€ 28.226	€ 28.962	€ 32.511	€ 33.287	€ 34.287	€ 35.020	€ 36.015	€ 36.589	€ 37.485	€ 38.478	€ 3.114
1150 cm		€ 14.657	€ 15.668	€ 16.594	€ 17.605	€ 18.363	€ 22.399	€ 23.421	€ 24.175	€ 25.370	€ 26.010	€ 26.620	€ 27.631	€ 28.651	€ 29.395	€ 33.057	€ 33.820	€ 34.829	€ 35.569	€ 36.571	€ 37.151	€ 38.054	€ 39.056	€ 3.212
1200 cm		€ 14.896	€ 15.914	€ 16.850	€ 17.866	€ 18.630	€ 22.772	€ 23.804	€ 24.566	€ 25.766	€ 26.413	€ 27.031	€ 28.049	€ 29.079	€ 29.829	€ 33.604	€ 34.355	€ 35.371	€ 36.118	€ 37.129	€ 37.714	€ 38.627	€ 39.634	€ 3.311
FS3		€ 234	€ 245	€ 267	€ 294	€ 318	€ 342	€ 367	€ 391	€ 415	€ 439	€ 565	€ 589	€ 613	€ 638	€ 664	€ 688	€ 712	€ 737	€ 761	€ 785	€ 810	€ 834	
FS5-A		€ 43	€ 54	€ 64	€ 73	€ 84	€ 93	€ 105	€ 114	€ 125	€ 135	€ 146	€ 155	€ 166	€ 176	€ 187	€ 196	€ 208	€ 217	€ 228	€ 237	€ 249	€ 258	
FS5-E		€ 59	€ 75	€ 88	€ 100	€ 116	€ 129	€ 144	€ 157	€ 173	€ 185	€ 201	€ 214	€ 229	€ 242	€ 257	€ 270	€ 286	€ 299	€ 314	€ 327	€ 342	€ 355	

FS3	Gutter System
FS5-A	Additional Fabric Support Profile (Standard)
FS5-E	Additional Fabric Support Profile (3 Axis)
FS4 FS10-C	Additional Rail for Compact Series- Al. - 75x120mm for both projection side Additional Pillar for Compact Series- Al. - 80x80mm
FS8	Lighting System

FS8	
FS8-S	SPOT
FS8-L	LINEAR
FS8-LR (RGB)	LINEAR (RGB)

LED TYPE & MODULE		
2 LED	3 LED	4 LED
€ 132	€ 160	€ 189
€ 189	€ 245	
€ 240	€ 311	

Notes:

- FS9-C- Side Beam (Al. 80x130mm) is included in the price for right and left side.
- FS Flexy Plain/3D or Stam 6002 is included in the price.
- Motor and Remote control is included in the price.
- Palmiye Aluminium Coating Catalogue includes the standard colours with no extra cost. For any other type/brand/color of paint, price difference and additional delivery duration shall be checked from your customer representative.
- Standard fabric support profile plastic colours are specified in Palmiye Aluminium Coating Catalogue.
- If you use an additional rail you have to add a front pillar. It's included in the price. (FS4+FS10-C)
- The gutter option price is for one side and must be added separately for each side.
- In pergolas including steel front pillars, if gutter option is preferred, external water drainage points will be specified according to the Project and will be priced additionally.

DEDUCTIONS

Price deduction is applicable only for front & back pillars and side beam. Deduction amount shall be consider as 70% of related option price.

OPTIONS

FS10-C	Extra pillar (80x80mm Al.)	€ 392	pcs
FS10	Extra pillar (100x100mm Al.)	€ 532	pcs
FS10-ST3	Extra pillar (100x100x3mm St.)	€ 510	pcs
FS10-ST5	Extra pillar (100x100x5mm St.)	€ 744	pcs
FS11	Deco ceiling cover	€ 70	m ²
FS15-C	Side beam pillar (80x80mm - Al)	€ 392	pcs
FS19	Fix louver	€ 73	lm
FS23	External Square Downpipe	€ 326	pcs
FS24	W96 Ceiling Cover	€ 81	m ²
FS26	Exclusive fabric difference (up to 800cm width)	€ 48	m ²
FS29-1	Sun Sensor (SUNIS) (for single motor)	€ 604	pcs
FS29-1S	Sun Sensor (SUNIS) (for synchronized motor)	€ 962	pcs
FS29-2	Wind Sensor (EOLIS RTS) (for single motor)	€ 284	pcs
FS29-2S	Wind Sensor (EOLIS RTS) (for synchronized motor)	€ 639	pcs
FS29-3	Sun and Wind Sensor (SOLIRIS RTS) (for single motor)	€ 322	pcs
FS29-3S	Sun and Wind Sensor (SOLIRIS RTS) (for synchronized motor)	€ 676	pcs
FS29-4 ^{2/3}	Rain Sensor (ONDEIS) (for single motor)	€ 558	pcs
FS29-4S ^{2/3}	Rain Sensor (ONDEIS) (for synchronized motor)	€ 912	pcs
FS30	CONNEXOON	€ 510	pcs

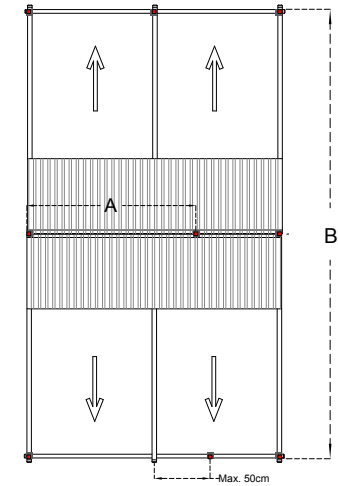
Notes:

- Fabric support profiles can be painted in the same color as the general construction. No fee is paid for this process. However, the plastic color should be specified from our standard plastic colours in Palmiye Color Chart.
- For one product, a dry contact transmitter costing 358€, must be added.
- Up to 5 products, a RS485 Automation interface dry contact transmitter costing 1094€, must be added.

EXTENSIONS

Rail	Compact - 75x120mm	€ 200	lm
Beam	Al. 80x130mm	€ 96	lm
Beam	Al. 100x150mm	€ 151	lm
Beam	St. 100x150x3mm	€ 310	lm
Beam	St. 100x150x5mm	€ 377	lm
Beam	St. 100x200x3mm	€ 315	lm
Beam	St. 100x200x5mm	€ 449	lm
Fabric protection cover	Al. - 63x___cm	€ 59	m ²
Gutter	Special Profile	€ 44	lm
Pillar	Al. 80x80mm	€ 85	lm
Pillar	Al. 100x100mm	€ 168	lm
Pillar	St. 100x100x3mm	€ 211	lm
Pillar	St. 100x100x5mm	€ 377	lm
Pillar	St. 150x150x3mm	€ 427	lm
Pillar	St. 150x150x5mm	€ 598	lm

*Max. Al. Front pillar (Al. 80x80mm) height is 280cm
 *Max. St 3mm. Front pillar (St. 100x100x3mm) height is 380cm
 *Max. St. 5mm Front pillar (St. 100x100x5mm) height is 480cm



Middle front pillars can only be moved max. 50 cm towards right or left side.

PRICE DIFFERENCE

		BEAM GROUP	
		Standard	Al. 100x150mm
Back Beam	to	St. 100x150x3mm	€ 155 lm
		St. 100x150x5mm	€ 231 lm
		St. 100x200x3mm	€ 160 lm
		St. 100x200x5mm	€ 302 lm
		Standard	Al. 80x130mm
Front Beam	to	Al. 100x150mm	€ 55 lm
		St. 100x150x3mm	€ 227 lm
		St. 100x150x5mm	€ 304 lm
		St. 100x200x3mm	€ 232 lm
		St. 100x200x5mm	€ 374 lm

		PILLAR GROUP	
		Standard	Al. 100x100mm
Back Pillar	to	St. 100x100x3mm	€ 108 pcs
		St. 100x100x5mm	€ 443 pcs
		St. 150x150x3mm	€ 677 pcs
		St. 150x150x5mm	€ 1.197 pcs
		Standard	Al. 80x80mm
Front Pillar	to	Al. 100x100mm	€ 138 pcs
		St. 100x100x3mm	€ 288 pcs
		St. 100x100x5mm	€ 623 pcs
		St. 150x150x3mm	€ 856 pcs
		St. 150x150x5mm	€ 1.376 pcs

STANDARD CONSTRUCTION

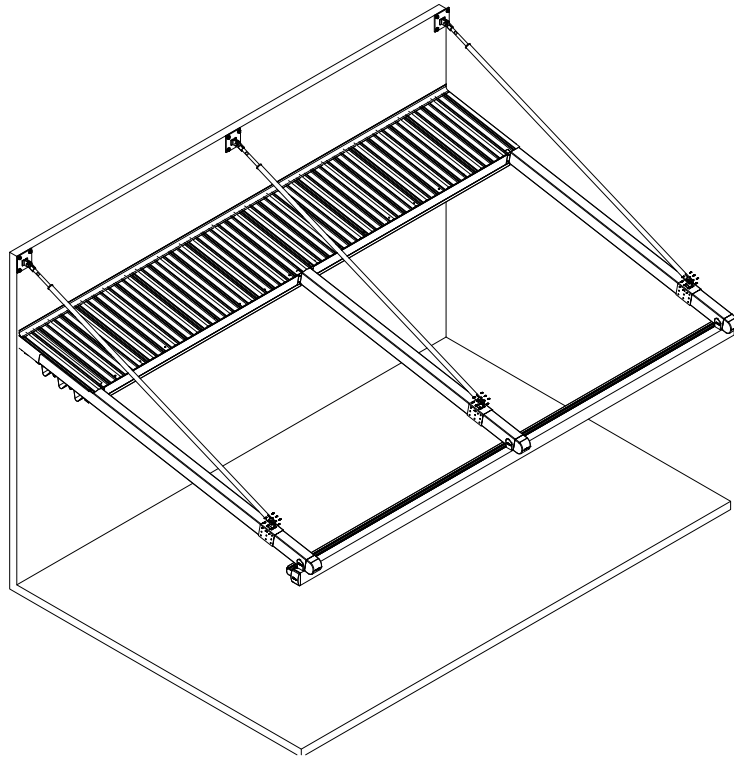
		WIDTH																	
		450	500	550	600	650	700	750	800	850	900	950	1000	1050	1100	1150	1200	1250	1300
PROJECTION	400																		
	600																		
	800																		
	900																		
	1000																		
	1100																		
1200																			

BACK PILLAR : Al. 100x100x3mm
 BACK BEAM : Al. 100x150x3mm
 (in price included)

BACK PILLAR POSITION CHANGE

		A								
		500	550	600	650	700	750	800	850	900
B	400									
	600									
	800									
	1000									
	1200									

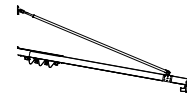
BACK PILLAR : Al. 100x100x3mm
 BACK BEAM : Al. 100x150x3mm
 BACK PILLAR : St. 100x100x3mm
 BACK BEAM : St. 100x150x3mm
 BACK PILLAR : St. 100x100x5mm
 BACK BEAM : St. 100x150x5mm
 BACK PILLAR : St. 100x100x5mm
 BACK BEAM : St. 100x200x5mm
 (Construction price difference needs to be added. The deflection doesn't evaluate on this chart.)



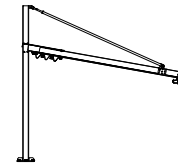
SILVER HANGING

PRODUCT FORMS

- **Silver Hanging** Wall / Ceiling Installation
-



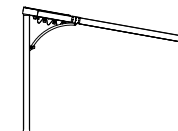
- **Silver Hanging** Freestanding
-



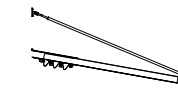
- **Silver Hanging** Wall / Ceiling Installation - Buttress
-



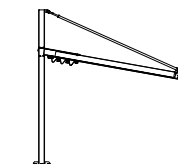
- **Silver Hanging** Freestanding - Buttress
-



- **Silver Compact Hanging** Wall / Ceiling Installation
-

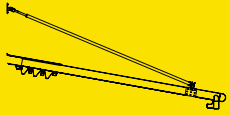


- **Silver Compact Hanging** Freestanding
-



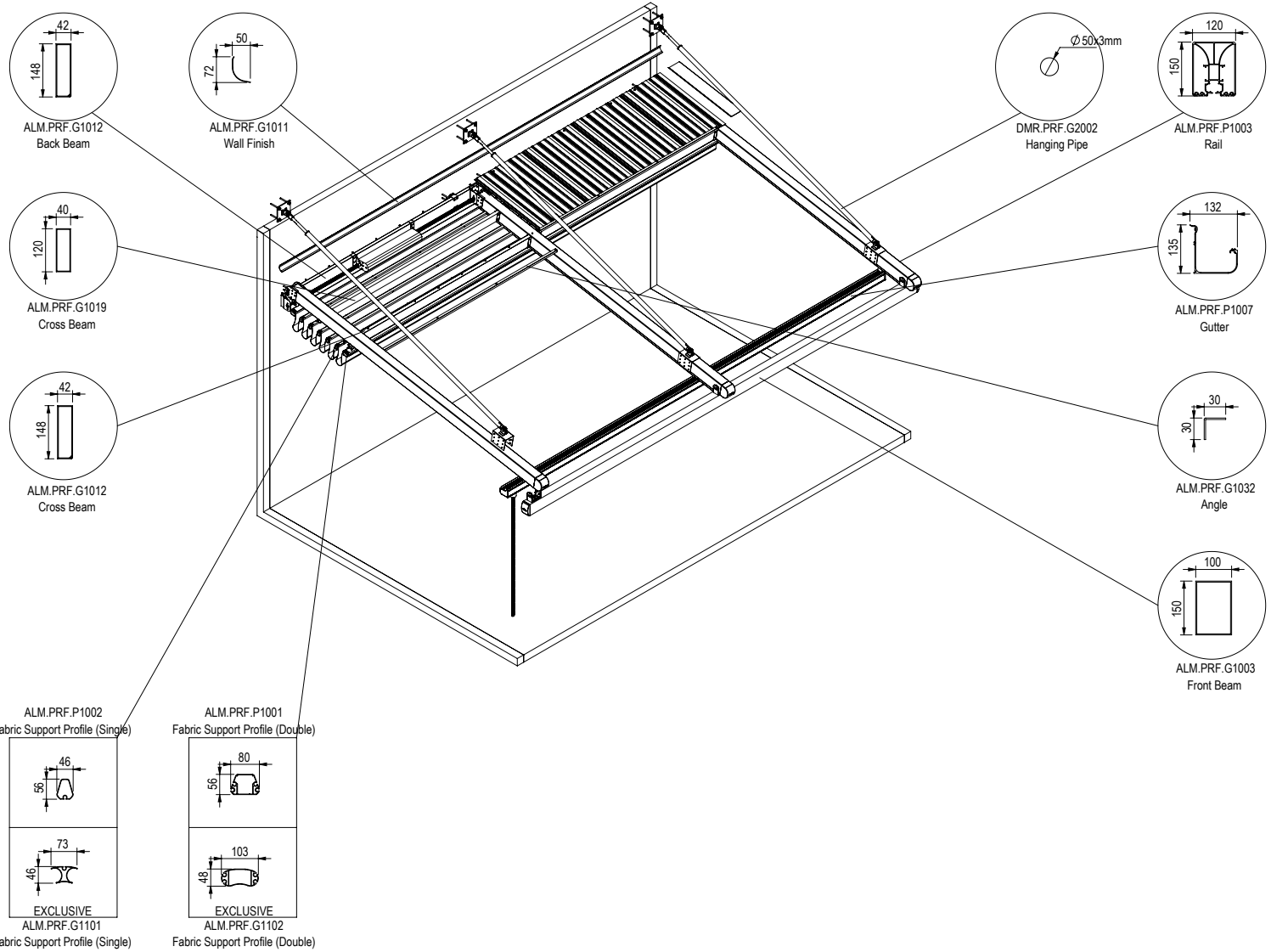
SILVER

Hanging Wall / Ceiling



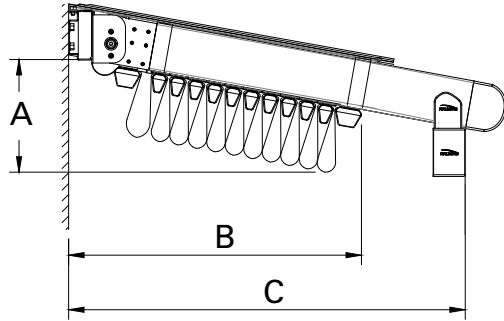
MAXIMUM DIMENSIONS

	WIDTH	PROJECTION
2 RAILS	450 cm	600 cm
3 RAILS	900 cm	600 cm
4 RAILS	1300 cm	600 cm



TECHNICAL FEATURES

COLLECTED FABRIC DIMENSIONS



TILTED VERSION Projection cm

No of Fabric Support Profiles	185	235	284	334	383	433	482	532	581	C
4	34									61
5		35								68
6			36							74
7				37						81
8					38					87
9						39				94
10							40			100
11								41		107
12									42	113

*Calculated according to a slope of 15%

DRAINAGE CALCULATION

Type	Max. m ²
Full	39 m ² /pc

* per drainage

There should be at least one drainage, each 8 m length gutter.

MINIMUM SLOPE CHART

Projection	Slope										
	6,4-7,9%	7,4-8,8%	8,4-9,7%	9,4-10,8%	10,4-12%	11,2-12,7%	12-13,4%	13-14,5%	14-15,7%	15-16,6%	16-17,6%
	Rail Center										
	200	225	250	275	300	325	350	375	400	425	450
250	16	19	21	24	26	28	30	33	35	38	40
300	20	23	26	29	31	34	37	40	42	45	48
350	23	27	30	34	37	40	43	46	49	53	56
400	27	31	35	39	42	46	49	53	57	61	64
450	32	36	40	44	48	52	56	60	64	69	73
500	36	41	45	50	54	59	63	68	72	77	81
550	40	45	50	55	60	65	70	75	80	85	90
600	44	50	55	61	66	72	77	83	88	94	99

*Note: Max. slope can be up to 25%

For back height of system 30 cm should be added to slope value.

WIND RESISTANCE

PROJECTION (cm)	WIDTH (cm)																	
	450	500	550	600	650	700	750	800	850	900	950	1000	1050	1100	1150	1200	1250	1300
400	10	10	10	9	9	9	8	8	8	7	9	9	9	8	8	8	8	7
450	10	9	8	8	8	8	7	7	7	7	8	8	8	7	7	7	7	7
500	9	8	7	7	7	7	6	6	6	6	7	7	7	6	6	6	6	6
550	8	7	7	7	7	6	6	6	6	6	7	6	6	6	6	6	6	6
600	7	6	6	6	6	5	5	5	5	5	6	5	5	5	5	5	5	5

*The values are given according to the Beaufort scale.

**Calculated for Products with a front height of 250 cm according to Eurocode EN 1991-1-4 Terrain Category 4.

*** You can ask for new calculations for special designs.

All sides open

SILVER Hanging Wall / Ceiling



Projection	Width	2 RAILS					3 RAILS										4 RAILS										FS4	FS9	FS9-S
		250 cm	300 cm	350 cm	400 cm	450 cm	500 cm	550 cm	600 cm	650 cm	700 cm	750 cm	800 cm	850 cm	900 cm	950 cm	1000 cm	1050 cm	1100 cm	1150 cm	1200 cm	1250 cm	1300 cm						
200 cm		€ 7.429	€ 7.792	€ 8.301	€ 8.821	€ 9.183	€ 10.790	€ 11.143	€ 11.498	€ 12.170	€ 12.468	€ 12.716	€ 13.065	€ 13.418	€ 13.770	€ 15.541	€ 15.888	€ 16.239	€ 16.590	€ 16.941	€ 17.214	€ 17.681	€ 18.225	€ 1.152	€ 236	€ 313			
250 cm		€ 7.754	€ 8.310	€ 8.809	€ 9.183	€ 9.556	€ 11.316	€ 11.876	€ 12.241	€ 12.736	€ 13.045	€ 13.305	€ 13.859	€ 14.417	€ 14.587	€ 16.299	€ 16.661	€ 17.215	€ 17.575	€ 17.939	€ 18.221	€ 18.706	€ 19.259	€ 1.272	€ 284	€ 391			
300 cm		€ 8.325	€ 8.947	€ 9.507	€ 9.949	€ 10.387	€ 12.374	€ 12.999	€ 13.432	€ 13.994	€ 14.363	€ 14.692	€ 15.312	€ 15.937	€ 16.176	€ 18.070	€ 18.499	€ 19.123	€ 19.548	€ 19.979	€ 20.317	€ 20.866	€ 21.484	€ 1.391	€ 333	€ 469			
350 cm		€ 8.845	€ 9.294	€ 9.867	€ 10.501	€ 10.952	€ 13.107	€ 13.556	€ 14.192	€ 14.768	€ 15.145	€ 15.486	€ 16.123	€ 16.768	€ 17.010	€ 19.232	€ 19.674	€ 20.119	€ 20.557	€ 21.190	€ 21.539	€ 22.101	€ 22.541	€ 1.511	€ 381	€ 548			
400 cm		€ 9.181	€ 9.645	€ 10.229	€ 10.878	€ 11.339	€ 13.648	€ 14.110	€ 14.759	€ 15.346	€ 15.736	€ 16.092	€ 16.737	€ 17.390	€ 17.654	€ 20.014	€ 20.468	€ 20.926	€ 21.377	€ 22.024	€ 22.381	€ 22.957	€ 23.410	€ 1.631	€ 430	€ 626			
450 cm		€ 9.529	€ 10.005	€ 10.601	€ 11.261	€ 11.736	€ 14.208	€ 14.683	€ 15.345	€ 15.945	€ 16.345	€ 16.714	€ 17.372	€ 18.037	€ 18.312	€ 20.815	€ 21.283	€ 21.750	€ 22.217	€ 22.877	€ 23.241	€ 23.830	€ 24.295	€ 1.750	€ 479	€ 704			
500 cm		€ 9.869	€ 10.356	€ 10.965	€ 11.638	€ 12.125	€ 14.756	€ 15.239	€ 15.916	€ 16.532	€ 16.939	€ 17.319	€ 17.992	€ 18.674	€ 18.957	€ 21.601	€ 22.081	€ 22.563	€ 23.039	€ 23.712	€ 24.088	€ 24.690	€ 25.168	€ 1.870	€ 527	€ 782			
550 cm		€ 10.209	€ 10.707	€ 11.329	€ 12.014	€ 12.514	€ 15.303	€ 15.796	€ 16.486	€ 17.119	€ 17.534	€ 17.925	€ 18.612	€ 19.310	€ 19.603	€ 22.386	€ 22.879	€ 23.375	€ 23.861	€ 24.546	€ 24.935	€ 25.550	€ 26.041	€ 1.990	€ 576	€ 860			
600 cm		€ 10.549	€ 11.058	€ 11.692	€ 12.390	€ 12.903	€ 15.850	€ 16.352	€ 17.057	€ 17.706	€ 18.128	€ 18.530	€ 19.232	€ 19.946	€ 20.248	€ 23.172	€ 23.677	€ 24.188	€ 24.682	€ 25.381	€ 25.782	€ 26.410	€ 26.913	€ 2.109	€ 625	€ 939			
FS3		€ 234	€ 245	€ 267	€ 294	€ 318	€ 342	€ 367	€ 391	€ 415	€ 439	€ 565	€ 589	€ 613	€ 638	€ 664	€ 688	€ 712	€ 737	€ 761	€ 785	€ 810	€ 834						
FS5-A		€ 43	€ 54	€ 64	€ 73	€ 84	€ 93	€ 105	€ 114	€ 125	€ 135	€ 146	€ 155	€ 166	€ 176	€ 187	€ 196	€ 208	€ 217	€ 228	€ 237	€ 249	€ 258						
FS5-E		€ 59	€ 75	€ 88	€ 100	€ 116	€ 129	€ 144	€ 157	€ 173	€ 185	€ 201	€ 214	€ 229	€ 242	€ 257	€ 270	€ 286	€ 299	€ 314	€ 327	€ 342	€ 355						

FS3	Gutter System
FS5-A	Additional Fabric Support Profile (Standard)
FS5-E	Additional Fabric Support Profile (3 Axis)
FS4	Additional Rail - Al.Plus- 120x150mm
FS8	Lighting System
FS9	Side Beam - Al.- 50x150mm
FS9-S	Side Beam - Al.- 100x150mm (Special)

FS8	
FS8-S	SPOT
FS8-L	LINEAR
FS8-LR (RGB)	LINEAR (RGB)

LEDTYPE & MODULE		
2 LED	3 LED	4 LED
€ 132	€ 160	€ 189
€ 189	€ 245	
€ 240	€ 311	

Notes:

1. Any Side Beam is not included in the price.
2. FS Flexy Plain/3D or Stam 6002 is included in the price.
3. Motor and Remote control is included in the price.
4. Palmiye Aluminium Coating Catalogue includes the standard colours with no extra cost. For any other type/brand/color of paint, price difference and additional delivery duration shall be checked from your customer representative.
5. Standard fabric support profile plastic colours are specified in Palmiye Aluminium Coating Catalogue.

OPTIONS

FS11	Deco ceiling cover	€ 70	m ²
FS15	Side beam pillar (50x100mm - Al)	€ 276	pcs
FS15-B	Side beam pillar (100x100mm - Al)	€ 532	pcs
FS19	Fix louver	€ 73	lm
FS24	W96 Ceiling Cover	€ 81	m ²
FS26	Exclusive fabric difference (up to 800cm width)	€ 48	m ²
FS28-1	Stainless steel chain - 100 cm	€ 77	1m
FS28-2	Stainless steel chain - 200 cm	€ 149	2m
FS28-3	Stainless steel chain - 300 cm	€ 217	3m
FS28-4	Stainless steel chain - 400 cm	€ 290	4m
FS29-1	Sun Sensor (SUNIS) (for single motor)	€ 604	pcs
FS29-1S	Sun Sensor (SUNIS) (for synchronized motor)	€ 962	pcs
FS29-2	Wind Sensor (EOLIS RTS) (for single motor)	€ 284	pcs
FS29-2S	Wind Sensor (EOLIS RTS) (for synchronized motor)	€ 639	pcs
FS29-3	Sun and Wind Sensor (SOLIRIS RTS) (for single motor)	€ 322	pcs
FS29-3S	Sun and Wind Sensor (SOLIRIS RTS) (for synchronized motor)	€ 676	pcs
FS29-4 ^{2/3}	Rain Sensor (ONDEIS) (for single motor)	€ 558	pcs
FS29-4S ^{2/3}	Rain Sensor (ONDEIS) (for synchronized motor)	€ 912	pcs
FS30	CONNEXOON	€ 510	pcs

Notes:

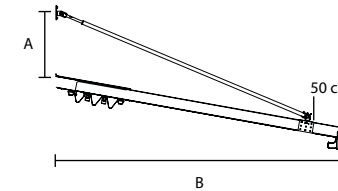
1. Fabric support profiles can be painted in the same color as the general construction. No fee is paid for this process. However, the plastic color should be specified from our standard plastic colours in Palmiye Color Chart.
2. For one product, a dry contact transmitter costing 358€, must be added.
3. Up to 5 products, a RS485 Automation interface dry contact transmitter costing 1094€, must be added.

EXTENSIONS

Rail	Plus - 120x150mm	€ 328	lm
Beam	Al. 42x150mm	€ 102	lm
Beam	Al. 50x150mm	€ 180	lm
Beam	Al. 100x150mm	€ 151	lm
Beam	St. 100x150x3mm	€ 310	lm
Beam	St. 100x150x5mm	€ 377	lm
Beam	St. 100x200x3mm	€ 315	lm
Beam	St. 100x200x5mm	€ 449	lm
Fabric protection cover	Al. - 63x__cm	€ 59	m ²
Gutter	Special Profile	€ 44	lm

PRICE DIFFERENCE

		BEAM GROUP	
		Standard	Al. 42x150mm
Back Beam	to	Al. 50x150mm	€ 78 lm
		St. 50x150x3mm	€ 101 lm
		St. 50x150x5mm	€ 187 lm
		Al. 100x150mm	€ 47 lm
		St. 100x150x3mm	€ 204 lm
		St. 100x150x5mm	€ 277 lm
		St. 100x200x3mm	€ 209 lm
		St. 100x200x5mm	€ 349 lm



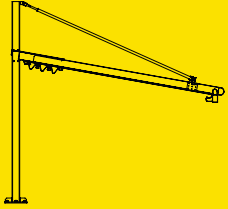
MINIMUM "A" VALUES

B (cm)	250	300	350	400	450	500	550	600
A (cm)	50	50	50	60	70	80	90	100

Upper values will be evaluated on a project basis.

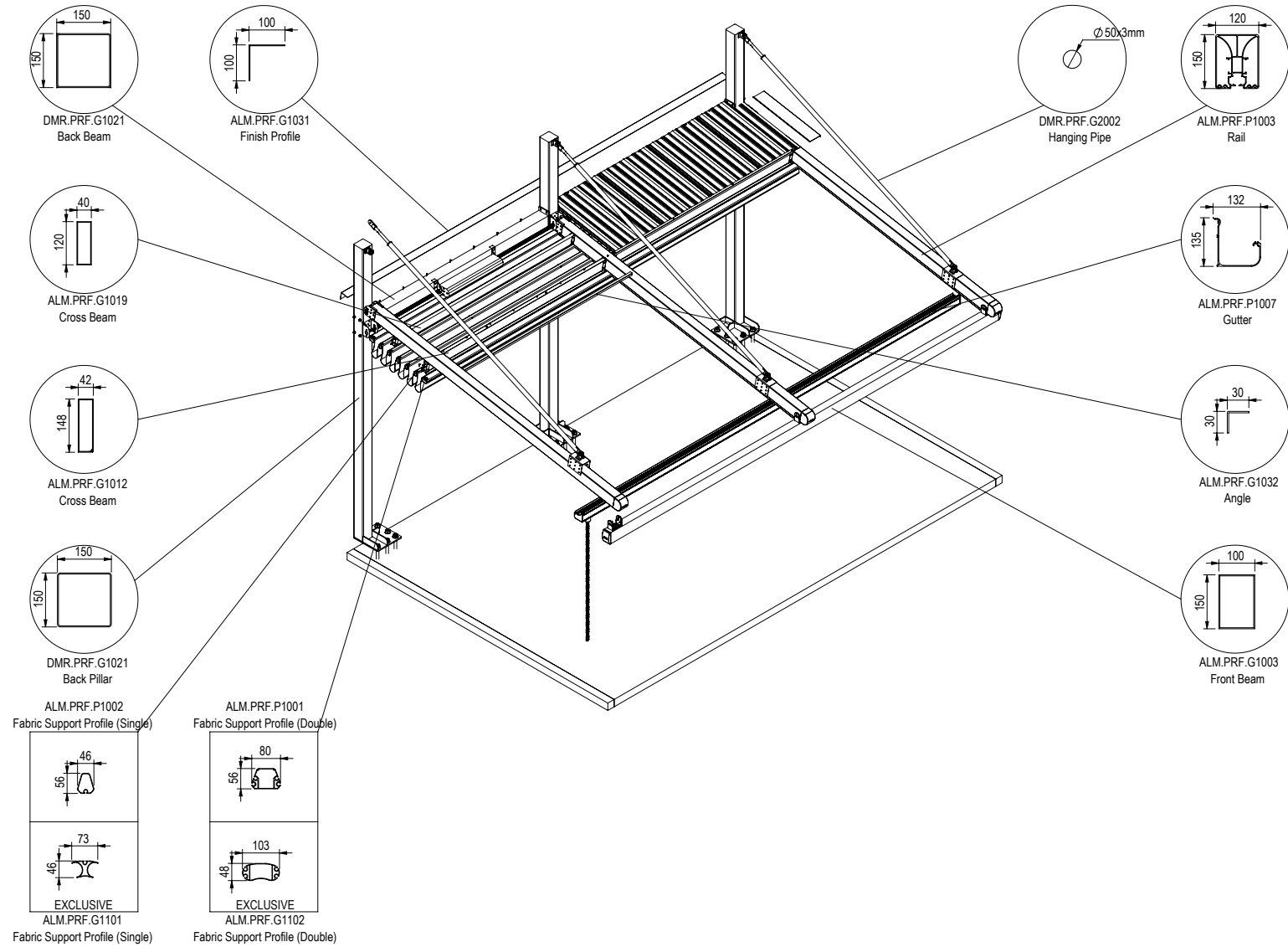
SILVER

Hanging Freestanding



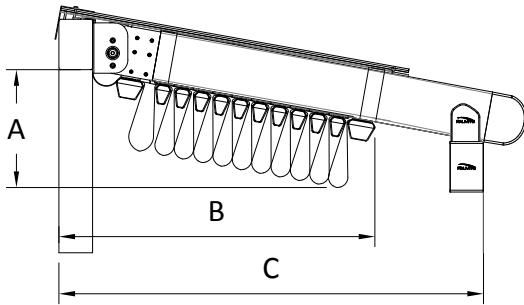
MAXIMUM DIMENSIONS

	WIDTH	PROJECTION
2 RAILS	450 cm	600 cm
3 RAILS	900 cm	600 cm
4 RAILS	1300 cm	600 cm



TECHNICAL FEATURES

COLLECTED FABRIC DIMENSIONS



No of Fabric Support Profiles	TILTED VERSION										C
	Projection cm										
	185	235	284	334	383	433	482	532	581		
4	35										66
5	36										73
6	37										79
7	38										86
8	39										92
9	40										99
10	41										105
11	42										112
12	43										118

*Calculated according to a slope of 15%

DRAINAGE CALCULATION

Type	Max. m ²
Full	39 m ² /pc

* per drainage

There should be at least one drainage, each 8 m length gutter.

MINIMUM SLOPE CHART

Projection	Slope										
	6,4-7,9%	7,4-8,8%	8,4-9,7%	9,4-10,8%	10,4-12%	11,2-12,7%	12-13,4%	13-14,5%	14-15,7%	15-16,6%	16-17,6%
	Rail Center										
	200	225	250	275	300	325	350	375	400	425	450
250	16	19	21	24	26	28	30	33	35	38	40
300	20	23	26	29	31	34	37	40	42	45	48
350	23	27	30	34	37	40	43	46	49	53	56
400	27	31	35	39	42	46	49	53	57	61	64
450	32	36	40	44	48	52	56	60	64	69	73
500	36	41	45	50	54	59	63	68	72	77	81
550	40	45	50	55	60	65	70	75	80	85	90
600	44	50	55	61	66	72	77	83	88	94	99

For back height of system 25 cm should be added to slope value.

*Note: Max. slope can be up to 25%

WIND RESISTANCE

PROJECTION (cm)	WIDTH																	
	450	500	550	600	650	700	750	800	850	900	950	1000	1050	1100	1150	1200	1250	1300
400	10	10	10	9	9	9	9	8	8	8	9	9	9	9	8	8	8	8
450	9	9	9	8	8	8	8	7	7	7	8	8	8	8	7	7	7	7
500	8	8	8	8	8	7	7	7	7	6	8	7	7	7	7	7	7	6
550	8	8	7	7	7	7	6	6	6	6	7	7	7	6	6	6	6	6
600	7	7	7	6	6	6	6	6	5	5	6	6	6	6	6	6	5	5

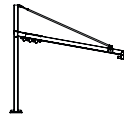
All sides open

*The values are given according to the Beaufort scale.

**Calculated for Products with a front height of 250 cm according to Eurocode EN 1991-1-4 Terrain Category 4.

*** You can ask for new calculations for special designs.

SILVER Hanging Freestanding



Projection	Width	2 RAILS					3 RAILS									4 RAILS									FS4	FS9	FS9-S
		250 cm	300 cm	350 cm	400 cm	450 cm	500 cm	550 cm	600 cm	650 cm	700 cm	750 cm	800 cm	850 cm	900 cm	950 cm	1000 cm	1050 cm	1100 cm	1150 cm	1200 cm	1250 cm	1300 cm				
200 cm		€ 8.833	€ 9.197	€ 9.706	€ 10.226	€ 10.588	€ 12.897	€ 13.250	€ 13.605	€ 14.277	€ 14.576	€ 14.823	€ 15.172	€ 15.525	€ 15.877	€ 18.350	€ 18.698	€ 19.049	€ 19.400	€ 19.750	€ 20.023	€ 20.490	€ 21.034	€ 1.152	€ 236	€ 313	
250 cm		€ 9.159	€ 9.715	€ 10.213	€ 10.588	€ 10.961	€ 13.423	€ 13.983	€ 14.348	€ 14.843	€ 15.152	€ 15.412	€ 15.966	€ 16.525	€ 16.694	€ 19.109	€ 19.470	€ 20.025	€ 20.385	€ 20.749	€ 21.030	€ 21.516	€ 22.068	€ 1.272	€ 284	€ 391	
300 cm		€ 9.730	€ 10.352	€ 10.912	€ 11.353	€ 11.791	€ 14.481	€ 15.106	€ 15.539	€ 16.101	€ 16.470	€ 16.799	€ 17.419	€ 18.044	€ 18.283	€ 20.879	€ 21.309	€ 21.932	€ 22.358	€ 22.788	€ 23.127	€ 23.676	€ 24.294	€ 1.391	€ 333	€ 469	
350 cm		€ 10.250	€ 10.699	€ 11.272	€ 11.906	€ 12.357	€ 15.214	€ 15.663	€ 16.299	€ 16.875	€ 17.252	€ 17.594	€ 18.230	€ 18.875	€ 19.117	€ 22.041	€ 22.483	€ 22.928	€ 23.367	€ 23.999	€ 24.348	€ 24.910	€ 25.350	€ 1.511	€ 381	€ 548	
400 cm		€ 10.586	€ 11.050	€ 11.633	€ 12.282	€ 12.744	€ 15.755	€ 16.217	€ 16.866	€ 17.454	€ 17.843	€ 18.199	€ 18.844	€ 19.497	€ 19.761	€ 22.823	€ 23.278	€ 23.736	€ 24.187	€ 24.834	€ 25.190	€ 25.766	€ 26.219	€ 1.631	€ 430	€ 626	
450 cm		€ 11.069	€ 11.573	€ 12.196	€ 12.883	€ 13.385	€ 16.587	€ 17.089	€ 17.778	€ 18.405	€ 18.832	€ 19.228	€ 19.913	€ 20.606	€ 20.908	€ 24.141	€ 24.635	€ 25.130	€ 25.624	€ 26.311	€ 26.702	€ 27.318	€ 27.811	€ 1.750	€ 479	€ 704	
500 cm		€ 11.409	€ 11.924	€ 12.560	€ 13.260	€ 13.774	€ 17.134	€ 17.645	€ 18.349	€ 18.992	€ 19.426	€ 19.834	€ 20.533	€ 21.242	€ 21.553	€ 24.926	€ 25.433	€ 25.942	€ 26.446	€ 27.146	€ 27.549	€ 28.178	€ 28.683	€ 1.870	€ 527	€ 782	
550 cm		€ 11.749	€ 12.274	€ 12.923	€ 13.636	€ 14.163	€ 17.682	€ 18.201	€ 18.919	€ 19.579	€ 20.021	€ 20.439	€ 21.153	€ 21.879	€ 22.199	€ 25.712	€ 26.231	€ 26.755	€ 27.268	€ 27.980	€ 28.396	€ 29.038	€ 29.556	€ 1.990	€ 576	€ 860	
600 cm		€ 12.089	€ 12.625	€ 13.287	€ 14.012	€ 14.552	€ 18.229	€ 18.758	€ 19.490	€ 20.167	€ 20.615	€ 21.044	€ 21.773	€ 22.515	€ 22.844	€ 26.497	€ 27.030	€ 27.568	€ 28.089	€ 28.815	€ 29.244	€ 29.898	€ 30.429	€ 2.109	€ 625	€ 939	
FS3		€ 234	€ 245	€ 267	€ 294	€ 318	€ 342	€ 367	€ 391	€ 415	€ 439	€ 565	€ 589	€ 613	€ 638	€ 664	€ 688	€ 712	€ 737	€ 761	€ 785	€ 810	€ 834				
FS5-A		€ 43	€ 54	€ 64	€ 73	€ 84	€ 93	€ 105	€ 114	€ 125	€ 135	€ 146	€ 155	€ 166	€ 176	€ 187	€ 196	€ 208	€ 217	€ 228	€ 237	€ 249	€ 258				
FS5-E		€ 59	€ 75	€ 88	€ 100	€ 116	€ 129	€ 144	€ 157	€ 173	€ 185	€ 201	€ 214	€ 229	€ 242	€ 257	€ 270	€ 286	€ 299	€ 314	€ 327	€ 342	€ 355				

FS3	Gutter System
FS5-A	Additional Fabric Support Profile (Standard)
FS5-E	Additional Fabric Support Profile (3 Axis)
FS4	Additional Rail - Al.Plus- 120x150mm
FS8	Lighting System
FS9	Side Beam - Al.- 50x150mm
FS9-S	Side Beam - Al.- 100x150mm (Special)

FS8	
FS8-S	SPOT
FS8-L	LINEAR
FS8-LR (RGB)	LINEAR (RGB)

LED TYPE & MODULE		
2 LED	3 LED	4 LED
€ 132	€ 160	€ 189
€ 189	€ 245	
€ 240	€ 311	

Notes:

- Any Side Beam is not included in the price.
- FS Flexy Plain/3D or Stam 6002 is included in the price.
- Motor and Remote control is included in the price.
- Palmiye Aluminium Coating Catalogue includes the standard colours with no extra cost. For any other type/brand/color of paint, price difference and additional delivery duration shall be checked from your customer representative.
- Standard fabric support profile plastic colours are specified in Palmiye Aluminium Coating Catalogue.
- In pergolas including steel front pillars, if gutter option is preferred, external water drainage points will be specified according to the Project and will be priced additionally.

DEDUCTIONS

Price deduction is applicable only for back pillars and back beam. Deduction amount shall be consider as 70% of related option price.

OPTIONS

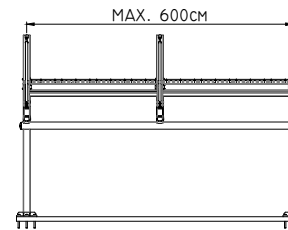
FS10-150ST3	Extra pillar (150x150x3mm St.)	€ 952	pcs
FS10-150ST5	Extra pillar (150x150x5mm St.)	€ 1.331	pcs
FS10-150ST5-H	Extra Half pillar (150x150x5mm St.)	€ 160	pcs
FS11	Deco ceiling cover	€ 70	m ²
FS15	Side beam pillar (50x100mm - Al)	€ 276	pcs
FS15-B	Side beam pillar (100x100mm - Al)	€ 532	pcs
FS19	Fix louver	€ 73	lm
FS24	W96 Ceiling Cover	€ 81	m ²
FS26	Exclusive fabric difference (up to 800cm width)	€ 48	m ²
FS28-1	Stainless steel chain - 100 cm	€ 77	1m
FS28-2	Stainless steel chain - 200 cm	€ 149	2m
FS28-3	Stainless steel chain - 300 cm	€ 217	3m
FS28-4	Stainless steel chain - 400 cm	€ 290	4m
FS29-1	Sun Sensor (SUNIS) (for single motor)	€ 604	pcs
FS29-1S	Sun Sensor (SUNIS) (for synchronized motor)	€ 962	pcs
FS29-2	Wind Sensor (EOLIS RTS) (for single motor)	€ 284	pcs
FS29-2S	Wind Sensor (EOLIS RTS) (for synchronized motor)	€ 639	pcs
FS29-3	Sun and Wind Sensor (SOLIRIS RTS) (for single motor)	€ 322	pcs
FS29-3S	Sun and Wind Sensor (SOLIRIS RTS) (for synchronized motor)	€ 676	pcs
FS29-4 ^{2/3}	Rain Sensor (ONDEIS) (for single motor)	€ 558	pcs
FS29-4S ^{2/3}	Rain Sensor (ONDEIS) (for synchronized motor)	€ 912	pcs
FS30	CONNEXOON	€ 510	pcs

Notes:

1. Fabric support profiles can be painted in the same color as the general construction. No fee is paid for this process. However, the plastic color should be specified from our standard plastic colours in Palmiye Color Chart.
2. For one product, a dry contact transmitter costing 358€, must be added.
3. Up to 5 products, a RS485 Automation interface dry contact transmitter costing 1094€, must be added.

EXTENSIONS

Rail	Plus - 120x150mm	€ 328	lm
Beam	Al. 100x150mm	€ 151	lm
Beam	St. 100x150x3mm	€ 310	lm
Beam	St. 100x150x5mm	€ 377	lm
Beam	St. 100x200x3mm	€ 315	lm
Beam	St. 100x200x5mm	€ 449	lm
Fabric protection cover	Al. - 63x__cm	€ 59	m ²
Gutter	Special Profile	€ 44	lm

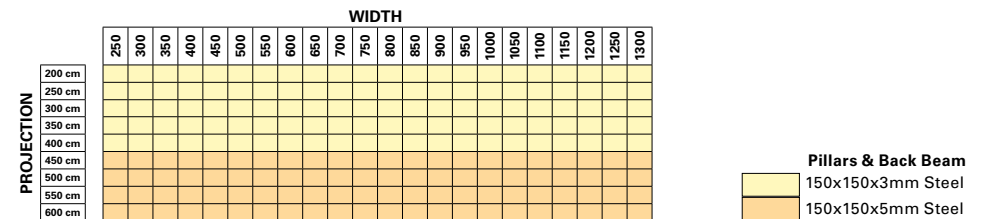


- The front beam can not be produced in steel.
- Ground flanges are 380x380x15 mm.
- When pillar reduction is applied, half pillar must be installed at the back of each rail shaft, and steel back pillars and back beam should be 150x150 mm.
- In condition of adding an additional rail, a steel 150x150 mm back pillar should also be added.

PRICE DIFFERENCE

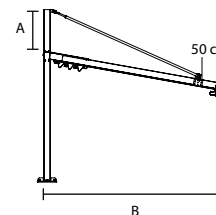
PILLAR GROUP			
Pillar	Standard	St. 150x150x3mm	
	to	St. 150x150x5mm	€ 520 pcs

STANDARD CONSTRUCTION



* In case of reducing middle pillars, distance between the pillars can be maximum 600 cm.

** Steel with a wall thickness of 5 mm must be used in all cases where the pillar is reduced.



MINIMUM "A" VALUES

B (cm)	250	300	350	400	450	500	550	600
A (cm)	50	50	50	60	70	80	90	100

Upper values will be evaluated on a project basis.

- Max. pillar length: 480 cm

SILVER

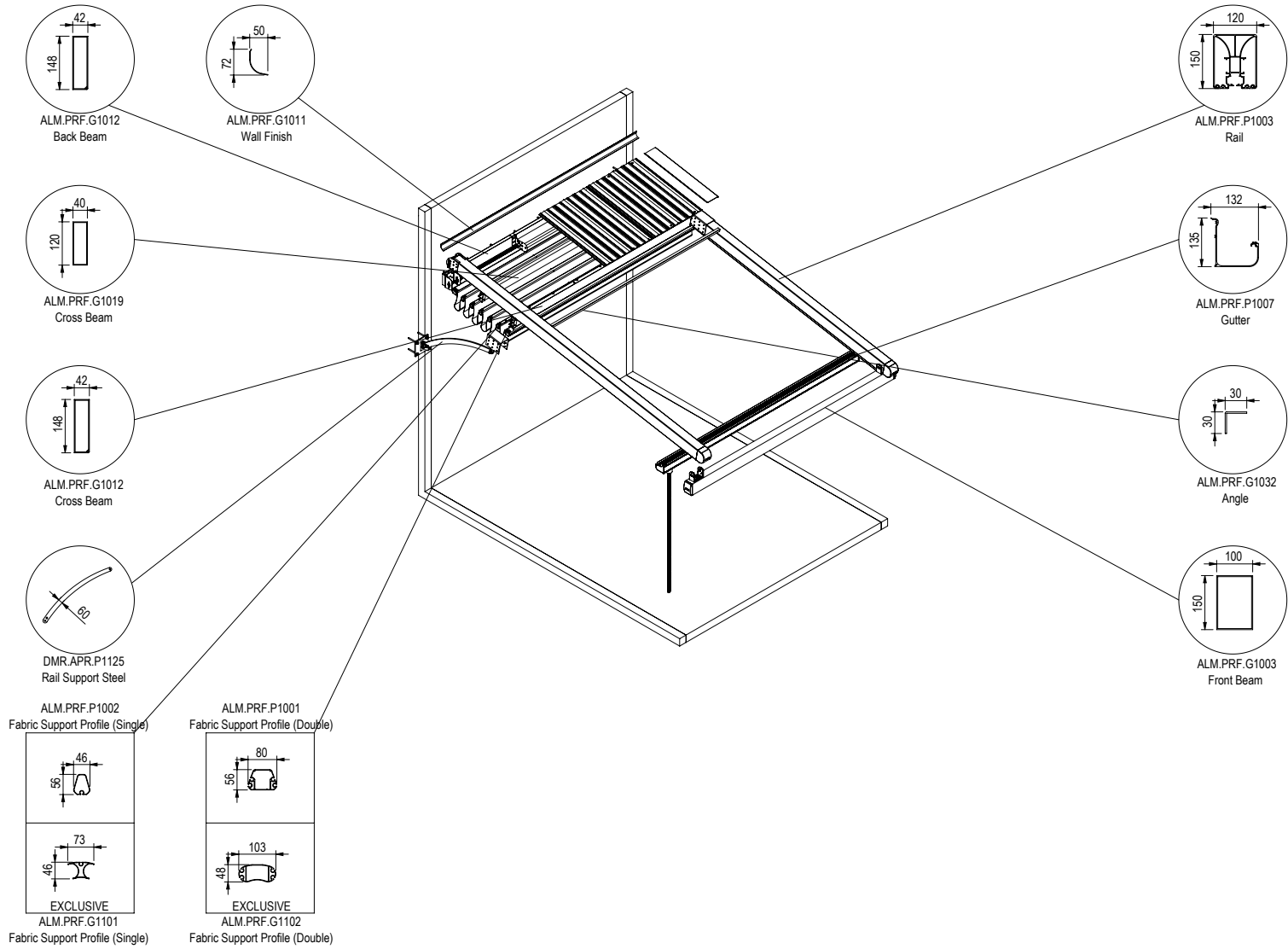
Hanging

Wall / Ceiling with Buttress



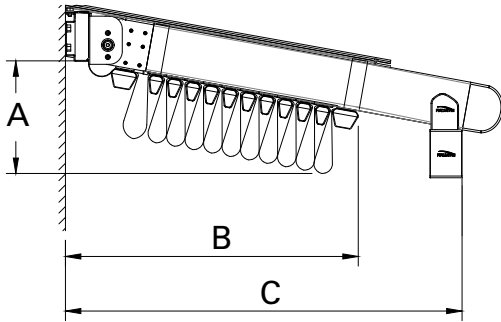
MAXIMUM DIMENSIONS

	WIDTH	PROJECTION
2 RAILS	450 cm	400 cm



TECHNICAL FEATURES

COLLECTED FABRIC DIMENSIONS



No of Fabric Support Profiles	Projection cm				
	185	235	284	334	383
4	26				36
5		27			42
6			27		48
7				28	54
8					29

← A → B

*Calculated according to a slope of 15%

DRAINAGE CALCULATION

Type	Max. m ²
Full	39 m ² /pc

* per drainage

There should be at least one drainage, each 8 m length gutter.

MINIMUM SLOPE CHART

Slope	6,4-7,9%	7,4-8,8%	8,4-9,7%	9,4-10,8%	10,4-12%	11,2-12,7%	12-13,4%	13-14,5%	14-15,7%	15-16,6%	16-17,6%
Rail Center											
	200	225	250	275	300	325	350	375	400	425	450
250	16	19	21	24	26	28	30	33	35	38	40
300	20	23	26	29	31	34	37	40	42	45	48
350	23	27	30	34	37	40	43	46	49	53	56
400	27	31	35	39	42	46	49	53	57	61	64

*Note: Max. slope can be up to 25%

WIND RESISTANCE

PROJECTION	WIDTH				
	250	300	350	400	450
200	11	11	11	11	11
250	11	11	11	11	11
300	11	11	11	11	11
350	11	11	10	10	10
400	10	10	10	9	9

All sides open

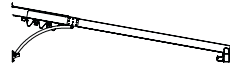
*The values are given according to the Beaufort scale.

**Calculated for Products with a front height of 250 cm according to Eurocode EN 1991-1-4 Terrain Category 4.

*** You can ask for new calculations for special designs.

SILVER

Hanging Wall / Ceiling with Buttress



Projection	Width				
	2 RAILS				
	250 cm	300 cm	350 cm	400 cm	450 cm
200 cm	€ 7.429	€ 7.792	€ 8.301	€ 8.821	€ 9.183
250 cm	€ 7.754	€ 8.310	€ 8.809	€ 9.183	€ 9.556
300 cm	€ 8.325	€ 8.947	€ 9.507	€ 9.949	€ 10.387
350 cm	€ 8.845	€ 9.294	€ 9.867	€ 10.501	€ 10.952
400 cm	€ 9.181	€ 9.645	€ 10.229	€ 10.878	€ 11.339

FS3	€ 234	€ 245	€ 267	€ 294	€ 318
FS5-A	€ 43	€ 54	€ 64	€ 73	€ 84
FS5-E	€ 59	€ 75	€ 88	€ 100	€ 116

FS3	Gutter System
FS5-A	Additional Fabric Support Profile (Standard)
FS5-E	Additional Fabric Support Profile (3 Axis)
FS8	Lighting System

FS8	
FS8-S	SPOT
FS8-L	LINEAR
FS8-LR (RGB)	LINEAR (RGB)

LED TYPE & MODULE		
2 LED	3 LED	4 LED
€ 132	€ 160	€ 189
€ 189	€ 245	
€ 240	€ 311	

Notes:

1. Any Side Beam is not included in the price.
2. Modules can not be combined.
3. FS Flexy Plain/3D or Stam 6002 is included in the price.
4. Motor and Remote control is included in the price.
5. Palmiye Aluminium Coating Catalogue includes the standard colours with no extra cost. For any other type/brand/color of paint, price difference and additional delivery duration shall be checked from your customer representative.
6. Standard fabric support profile plastic colours are specified in Palmiye Aluminium Coating Catalogue.

OPTIONS

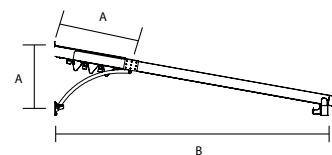
FS11	Deco ceiling cover	€ 70	m ²
FS19	Fix louver	€ 73	lm
FS24	W96 Ceiling Cover	€ 81	m ²
FS26	Exclusive fabric difference (up to 800cm width)	€ 48	m ²
FS28-1	Stainless steel chain - 100 cm	€ 77	1m
FS28-2	Stainless steel chain - 200 cm	€ 149	2m
FS28-3	Stainless steel chain - 300 cm	€ 217	3m
FS28-4	Stainless steel chain - 400 cm	€ 290	4m
FS29-1	Sun Sensor (SUNIS) (for single motor)	€ 604	pcs
FS29-2	Wind Sensor (EOLIS RTS) (for single motor)	€ 284	pcs
FS29-3	Sun and Wind Sensor (SOLIRIS RTS) (for single motor)	€ 322	pcs
FS29-4 ²	Rain Sensor (ONDEIS) (for single motor)	€ 558	pcs
FS30	CONNEXOON	€ 510	pcs

EXTENSIONS

Rail	Plus - 120x150mm	€ 328	lm
Beam	Al. 42x150mm	€ 102	lm
Beam	Al. 50x150mm	€ 180	lm
Beam	Al. 100x150mm	€ 151	lm
Beam	St. 100x150x3mm	€ 310	lm
Beam	St. 100x150x5mm	€ 377	lm
Beam	St. 100x200x3mm	€ 315	lm
Beam	St. 100x200x5mm	€ 449	lm
Fabric protection cover	Al. - 63x__cm	€ 59	m ²
Gutter	Special Profile	€ 44	lm

PRICE DIFFERENCE

		BEAM GROUP	
Standard			
Back Beam to	Al. 42x150mm		
	Al. 50x150mm	€ 78	lm
	St. 50x150x3mm	€ 101	lm
	St. 50x150x5mm	€ 187	lm
	Al. 100x150mm	€ 47	lm
	St. 100x150x3mm	€ 204	lm
	St. 100x150x5mm	€ 277	lm
	St. 100x200x3mm	€ 209	lm
	St. 100x200x5mm	€ 349	lm



STANDARD "A" VALUES

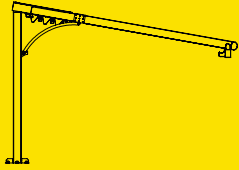
B (cm)	250	300	350	400
A (cm)	70	80	90	100

Notes:

1. Fabric support profiles can be painted in the same color as the general construction. No fee is paid for this process. However, the plastic color should be specified from our standard plastic colours in Palmiye Color Chart.
2. For one product, a dry contact transmitter costing 358€, must be added.
3. Up to 5 products, a RS485 Automation interface dry contact transmitter costing 1094€, must be added.

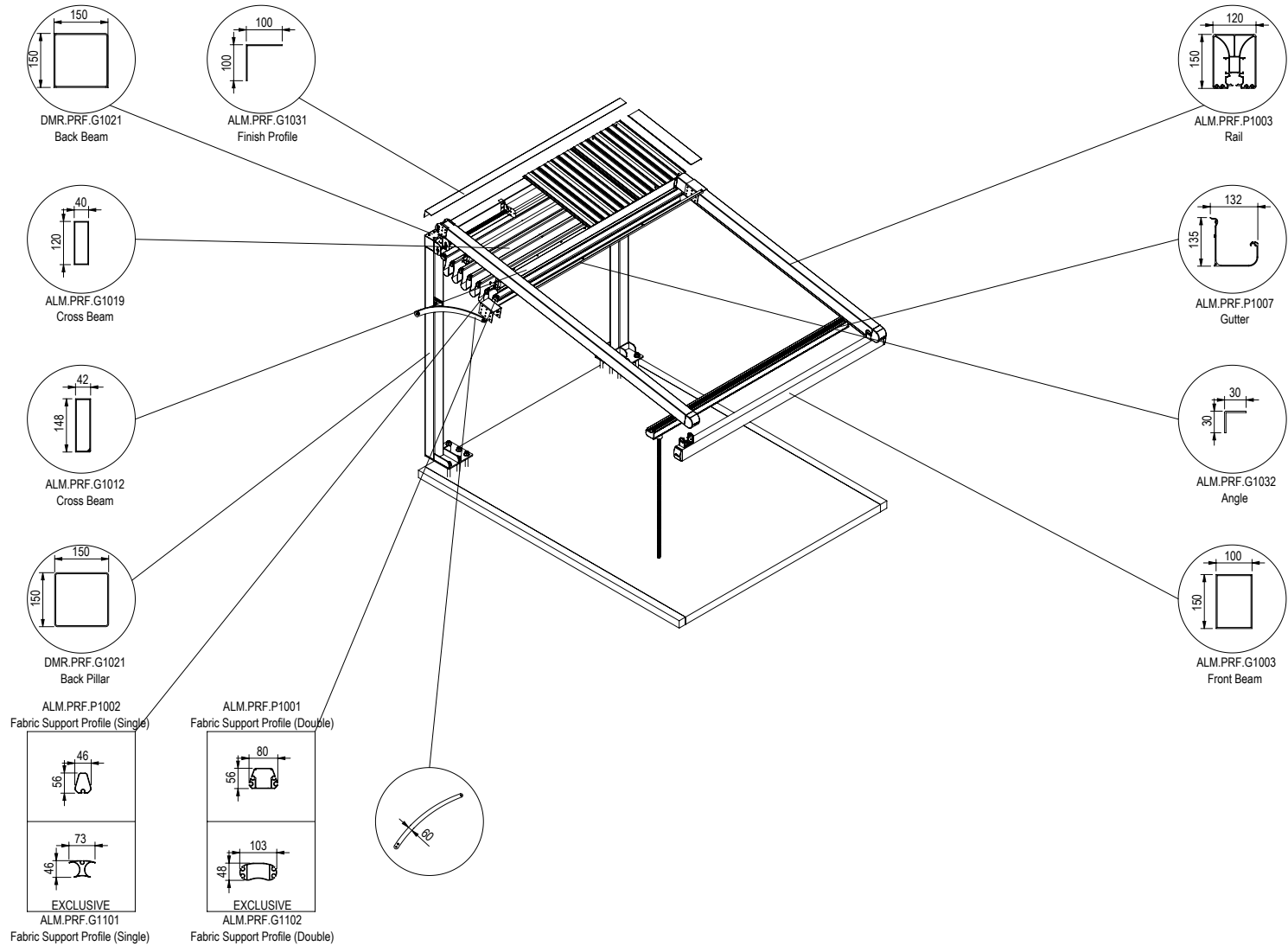
SILVER

Hanging Freestanding with Buttress



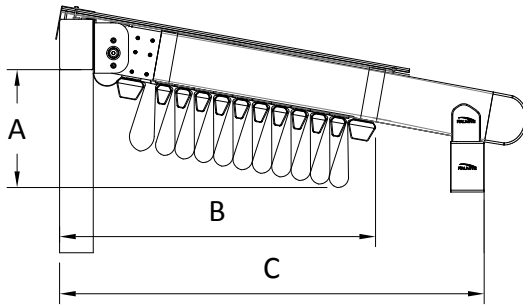
MAXIMUM DIMENSIONS

	WIDTH	PROJECTION
2 RAILS	450 cm	400 cm



TECHNICAL FEATURES

COLLECTED FABRIC DIMENSIONS



No of Fabric Support Profiles	Projection cm				
	185	235	284	334	383
4	35				66
5		36			73
6			37		79
7				38	86
8					92

*Calculated according to a slope of 15%

DRAINAGE CALCULATION

Type	Max. m ²
Full	39 m ² /pc

* per drainage

There should be at least one drainage, each 8 m length gutter.

MINIMUM SLOPE CHART

Projection	Slope										
	6,4-7,9%	7,4-8,8%	8,4-9,7%	9,4-10,8%	10,4-12%	11,2-12,7%	12-13,4%	13-14,5%	14-15,7%	15-16,6%	16-17,6%
	Rail Center										
	200	225	250	275	300	325	350	375	400	425	450
250	16	19	21	24	26	28	30	33	35	38	40
300	20	23	26	29	31	34	37	40	42	45	48
350	23	27	30	34	37	40	43	46	49	53	56
400	27	31	35	39	42	46	49	53	57	61	64

*Note: Max. slope can be up to 25%

WIND RESISTANCE

PROJECTION	WIDTH				
	250	300	350	400	450
200	11	11	11	11	11
250	11	11	11	11	11
300	11	11	11	11	11
350	11	11	10	10	10
400	10	10	10	9	9

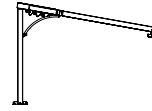
All sides open

*The values are given according to the Beaufort scale.

**Calculated for Products with a front height of 250 cm according to Eurocode EN 1991-1-4 Terrain Category 4.

*** You can ask for new calculations for special designs.

SILVER Hanging Freestanding with Buttress



Projection	Width				
	2 RAILS				
	250 cm	300 cm	350 cm	400 cm	450 cm
200 cm	€ 8.635	€ 8.990	€ 9.488	€ 9.996	€ 10.350
250 cm	€ 8.953	€ 9.497	€ 9.984	€ 10.350	€ 10.714
300 cm	€ 9.511	€ 10.119	€ 10.666	€ 11.098	€ 11.526
350 cm	€ 10.019	€ 10.458	€ 11.018	€ 11.638	€ 12.079
400 cm	€ 10.348	€ 10.801	€ 11.372	€ 12.006	€ 12.458

FS3	€ 226	€ 236	€ 258	€ 283	€ 307
FS5-A	€ 42	€ 52	€ 61	€ 70	€ 81
FS5-E	€ 57	€ 72	€ 85	€ 97	€ 112

FS3	Gutter System
FS5-A	Additional Fabric Support Profile (Standard)
FS5-E	Additional Fabric Support Profile (3 Axis)
FS8	Lighting System

FS8	
FS8-S	SPOT
FS8-L	LINEAR
FS8-LR (RGB)	LINEAR (RGB)

LED TYPE & MODULE		
2 LED	3 LED	4 LED
€ 132	€ 160	€ 189
€ 189	€ 245	
€ 240	€ 311	

Notes:

1. Any Side Beam is not included in the price.
2. Modules can not be combined.
3. FS Flexy Plain/3D or Stam 6002 is included in the price.
4. Motor and Remote control is included in the price.
5. Palmiye Aluminium Coating Catalogue includes the standard colours with no extra cost. For any other type/brand/color of paint, price difference and additional delivery duration shall be checked from your customer representative.
6. Standard fabric support profile plastic colours are specified in Palmiye Aluminium Coating Catalogue.
7. In pergolas including steel front pillars, if gutter option is preferred, external water drainage points will be specified according to the Project and will be priced additionally.

DEDUCTIONS

Price deduction is applicable only for back pillars and back beam. Deduction amount shall be consider as 70% of related option price.

OPTIONS

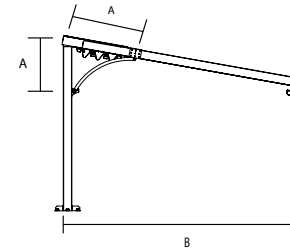
FS10-150ST3	Extra pillar (150x150x3mm St.)	€ 952	pcs
FS10-150ST5	Extra pillar (150x150x5mm St.)	€ 1.331	pcs
FS11	Deco ceiling cover	€ 70	m ²
FS15	Side beam pillar (50x100mm - Al)	€ 276	pcs
FS15-B	Side beam pillar (100x100mm - Al)	€ 532	pcs
FS19	Fix louver	€ 73	lm
FS24	W96 Ceiling Cover	€ 81	m ²
FS26	Exclusive fabric difference (up to 800cm width)	€ 48	m ²
FS28-1	Stainless steel chain - 100 cm	€ 77	1m
FS28-2	Stainless steel chain - 200 cm	€ 149	2m
FS28-3	Stainless steel chain - 300 cm	€ 217	3m
FS28-4	Stainless steel chain - 400 cm	€ 290	4m
FS29-1	Sun Sensor (SUNIS) (for single motor)	€ 604	pcs
FS29-2	Wind Sensor (EOLIS RTS) (for single motor)	€ 284	pcs
FS29-3	Sun and Wind Sensor (SOLIRIS RTS) (for single motor)	€ 322	pcs
FS29-42	Rain Sensor (ONDEIS) (for single motor)	€ 558	pcs
FS30	CONNEXOON	€ 510	pcs

Notes:

1. Fabric support profiles can be painted in the same color as the general construction. No fee is paid for this process. However, the plastic color should be specified from our standard plastic colours in Palmiye Color Chart.
2. For one product, a dry contact transmitter costing 358€, must be added.
3. Up to 5 products, a RS485 Automation interface dry contact transmitter costing 1094€, must be added.

EXTENSIONS

Rail	Plus - 120x150mm	€ 328	lm
Beam	Al. 42x150mm	€ 102	lm
Beam	Al. 50x150mm	€ 180	lm
Beam	Al. 100x150mm	€ 151	lm
Beam	St. 100x150x3mm	€ 310	lm
Beam	St. 100x150x5mm	€ 377	lm
Beam	St. 100x200x3mm	€ 315	lm
Beam	St. 100x200x5mm	€ 449	lm
Fabric protection cover	Al. - 63x___cm	€ 59	m ²
Gutter	Special Profile	€ 44	lm



- Max. pillar length: 480 cm

STANDARD "A" VALUES

B (cm)	250	300	350	400
A (cm)	70	80	90	100

- This model includes 3m steel back beam and pillars.
- The front beam can not be produced in steel.
- Ground flanges are 380x380x15 mm.

PRICE DIFFERENCE

Pillar	PILLAR GROUP		
	Standard	St. 150x150x3mm	
to	St. 150x150x5mm	€ 520	pcs

SILVER

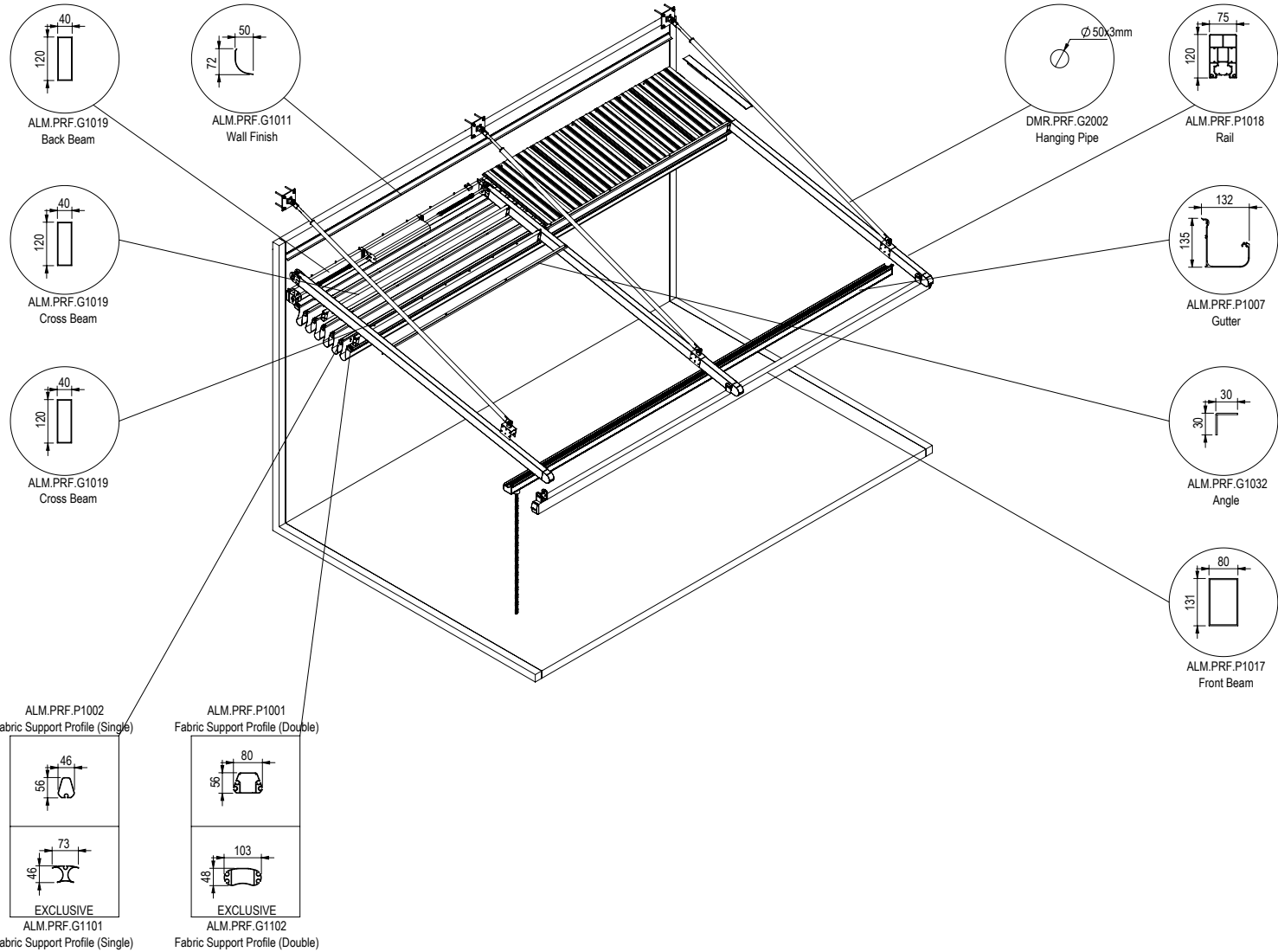
Compact

Hanging Wall / Ceiling



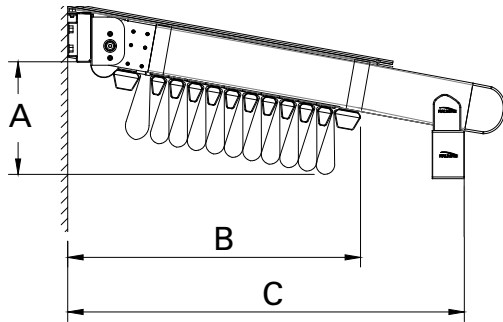
MAXIMUM DIMENSIONS

	WIDTH	PROJECTION
2 RAILS	450 cm	600 cm
3 RAILS	900 cm	600 cm
4 RAILS	1300 cm	600 cm



TECHNICAL FEATURES

COLLECTED FABRIC DIMENSIONS



TILTED VERSION Projection cm

No of Fabric Support Profiles	185	235	284	334	383	433	482	532	581	C
4	34									61
5		35								68
6			36							74
7				37						81
8					38					87
9						39				94
10							40			100
11								41		107
13									43	120

*Calculated according to a slope of 15%

DRAINAGE CALCULATION

Type	Max. m ²
Compact	30 m ² /pc

* per drainage

There should be at least one drainage, each 8 m length gutter.

MINIMUM SLOPE CHART

Projection	Slope										
	6,4-7,9%	7,4-8,8%	8,4-9,7%	9,4-10,8%	10,4-12%	11,2-12,7%	12-13,4%	13-14,5%	14-15,7%	15-16,6%	16-17,6%
	Rail Center										
	200	225	250	275	300	325	350	375	400	425	450
250	11	14	16	19	21	23	25	28	30	33	35
300	15	18	21	24	26	29	32	35	37	40	43
350	18	22	25	29	32	35	38	41	44	48	51
400	22	26	30	34	37	41	44	48	52	56	59
450	27	31	35	39	43	47	51	55	59	64	68
500	31	36	40	45	49	54	58	63	67	72	76
550	35	40	45	50	55	60	65	70	75	80	85
600	39	45	50	56	61	67	72	78	83	89	94

*Note: Max. slope can be up to 25%

For back height of system 25 cm should be added to slope value.

WIND RESISTANCE

PROJECTION (cm)	WIDTH (cm)																	
	450	500	550	600	650	700	750	800	850	900	950	1000	1050	1100	1150	1200	1250	1300
400	10	10	10	9	9	9	8	8	8	7	9	9	9	8	8	8	8	7
450	10	9	8	8	8	8	7	7	7	7	8	8	8	7	7	7	7	7
500	9	8	7	7	7	7	6	6	6	6	7	7	7	6	6	6	6	6
550	8	7	7	7	7	6	6	6	6	6	7	6	6	6	6	6	6	6
600	7	6	6	6	6	5	5	5	5	5	6	5	5	5	5	5	5	5

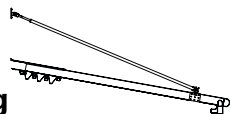
All sides open

*The values are given according to the Beaufort scale.

**Calculated for Products with a front height of 250 cm according to Eurocode EN 1991-1-4 Terrain Category 4.

*** You can ask for new calculations for special designs.

SILVER Compact Hanging Wall / Ceiling



Projection	2 RAILS					3 RAILS									4 RAILS									FS4	FS9-C
	250 cm	300 cm	350 cm	400 cm	450 cm	500 cm	550 cm	600 cm	650 cm	700 cm	750 cm	800 cm	850 cm	900 cm	950 cm	1000 cm	1050 cm	1100 cm	1150 cm	1200 cm	1250 cm	1300 cm			
200 cm	€ 6.020	€ 6.312	€ 6.721	€ 7.141	€ 7.432	€ 8.729	€ 9.012	€ 9.296	€ 9.836	€ 10.074	€ 10.270	€ 10.550	€ 10.832	€ 11.112	€ 12.538	€ 12.814	€ 13.092	€ 13.372	€ 13.650	€ 13.865	€ 14.237	€ 14.670	€ 950	€ 194	
250 cm	€ 6.276	€ 6.725	€ 7.125	€ 7.427	€ 7.725	€ 9.145	€ 9.596	€ 9.887	€ 10.283	€ 10.530	€ 10.736	€ 11.179	€ 11.627	€ 11.759	€ 13.136	€ 13.423	€ 13.867	€ 14.152	€ 14.439	€ 14.663	€ 15.048	€ 15.488	€ 1.049	€ 234	
300 cm	€ 6.732	€ 7.232	€ 7.683	€ 8.038	€ 8.389	€ 9.990	€ 10.492	€ 10.838	€ 11.289	€ 11.583	€ 11.843	€ 12.339	€ 12.839	€ 13.028	€ 14.548	€ 14.890	€ 15.386	€ 15.725	€ 16.066	€ 16.334	€ 16.768	€ 17.261	€ 1.148	€ 275	
350 cm	€ 7.145	€ 7.505	€ 7.965	€ 8.476	€ 8.836	€ 10.572	€ 10.930	€ 11.439	€ 11.901	€ 12.201	€ 12.472	€ 12.981	€ 13.496	€ 13.687	€ 15.468	€ 15.819	€ 16.172	€ 16.519	€ 17.023	€ 17.297	€ 17.743	€ 18.092	€ 1.247	€ 314	
400 cm	€ 7.411	€ 7.781	€ 8.250	€ 8.770	€ 9.140	€ 10.998	€ 11.367	€ 11.885	€ 12.354	€ 12.665	€ 12.947	€ 13.461	€ 13.983	€ 14.190	€ 16.081	€ 16.443	€ 16.805	€ 17.161	€ 17.675	€ 17.955	€ 18.412	€ 18.770	€ 1.344	€ 355	
450 cm	€ 7.683	€ 8.063	€ 8.541	€ 9.070	€ 9.450	€ 11.438	€ 11.816	€ 12.345	€ 12.823	€ 13.141	€ 13.434	€ 13.957	€ 14.488	€ 14.705	€ 16.710	€ 17.079	€ 17.448	€ 17.817	€ 18.341	€ 18.628	€ 19.094	€ 19.461	€ 1.444	€ 395	
500 cm	€ 7.949	€ 8.338	€ 8.827	€ 9.365	€ 9.754	€ 11.867	€ 12.252	€ 12.792	€ 13.283	€ 13.605	€ 13.907	€ 14.443	€ 14.985	€ 15.208	€ 17.323	€ 17.703	€ 18.083	€ 18.459	€ 18.992	€ 19.286	€ 19.763	€ 20.139	€ 1.543	€ 436	
550 cm	€ 8.214	€ 8.612	€ 9.112	€ 9.660	€ 10.058	€ 12.296	€ 12.688	€ 13.239	€ 13.743	€ 14.068	€ 14.379	€ 14.928	€ 15.481	€ 15.712	€ 17.935	€ 18.326	€ 18.717	€ 19.101	€ 19.643	€ 19.944	€ 20.432	€ 20.817	€ 1.642	€ 475	
600 cm	€ 8.480	€ 8.887	€ 9.398	€ 9.954	€ 10.361	€ 12.725	€ 13.125	€ 13.687	€ 14.203	€ 14.532	€ 14.852	€ 15.414	€ 15.977	€ 16.216	€ 18.548	€ 18.950	€ 19.352	€ 19.743	€ 20.294	€ 20.603	€ 21.101	€ 21.495	€ 1.741	€ 516	
FS3	€ 234	€ 245	€ 267	€ 294	€ 318	€ 342	€ 367	€ 391	€ 415	€ 439	€ 565	€ 589	€ 613	€ 638	€ 664	€ 688	€ 712	€ 737	€ 761	€ 785	€ 810	€ 834			
FS5-A	€ 43	€ 54	€ 64	€ 73	€ 84	€ 93	€ 105	€ 114	€ 125	€ 135	€ 146	€ 155	€ 166	€ 176	€ 187	€ 196	€ 208	€ 217	€ 228	€ 237	€ 249	€ 258			
FS5-E	€ 59	€ 75	€ 88	€ 100	€ 116	€ 129	€ 144	€ 157	€ 173	€ 185	€ 201	€ 214	€ 229	€ 242	€ 257	€ 270	€ 286	€ 299	€ 314	€ 327	€ 342	€ 355			

FS3	Gutter System
FS5-A	Additional Fabric Support Profile (Standard)
FS5-E	Additional Fabric Support Profile (3 Axis)
FS4	Additional Rail for Compact Series- Al. - 75x120mm
FS8	Lighting System
FS9-C	Side Beam for Compact Series- Al. - 80x130mm

FS8	
FS8-S	SPOT
FS8-L	LINEAR
FS8-LR (RGB)	LINEAR (RGB)

LED TYPE & MODULE		
2 LED	3 LED	4 LED
€ 132	€ 160	€ 189
€ 189	€ 245	
€ 240	€ 311	

Notes:

1. Any Side Beam is not included in the price.
2. FS Flexy Plain/3D or Stam 6002 is included in the price.
3. Motor and Remote control is included in the price.
4. Palmiye Aluminium Coating Catalogue includes the standard colours with no extra cost. For any other type/brand/color of paint, price difference and additional delivery duration **shall be checked from your customer representative.**
5. Standard fabric support profile plastic colours are specified in Palmiye Aluminium Coating Catalogue.

OPTIONS

FS11	Deco ceiling cover	€ 70	m ²
FS15-C	Side beam pillar (80x80mm - Al)	€ 392	pcs
FS19	Fix louver	€ 73	lm
FS24	W96 Ceiling Cover	€ 81	m ²
FS26	Exclusive fabric difference (up to 800cm width)	€ 48	m ²
FS28-1	Stainless steel chain - 100 cm	€ 77	1m
FS28-2	Stainless steel chain - 200 cm	€ 149	2m
FS28-3	Stainless steel chain - 300 cm	€ 217	3m
FS28-4	Stainless steel chain - 400 cm	€ 290	4m
FS29-1	Sun Sensor (SUNIS) (for single motor)	€ 604	pcs
FS29-1S	Sun Sensor (SUNIS) (for synchronized motor)	€ 962	pcs
FS29-2	Wind Sensor (EOLIS RTS) (for single motor)	€ 284	pcs
FS29-2S	Wind Sensor (EOLIS RTS) (for synchronized motor)	€ 639	pcs
FS29-3	Sun and Wind Sensor (SOLIRIS RTS) (for single motor)	€ 322	pcs
FS29-3S	Sun and Wind Sensor (SOLIRIS RTS) (for synchronized motor)	€ 676	pcs
FS29-4 ^{2/3}	Rain Sensor (ONDEIS) (for single motor)	€ 558	pcs
FS29-4S ^{2/3}	Rain Sensor (ONDEIS) (for synchronized motor)	€ 912	pcs
FS30	CONNEXOON	€ 510	pcs

EXTENSIONS

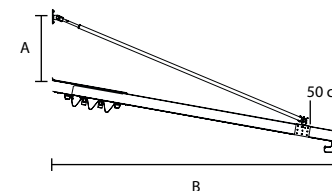
Rail	Compact - 75x120mm	€ 200	lm
Beam	Al. 40x120mm	€ 63	lm
Beam	Al. 42x150mm	€ 102	lm
Beam	Al. 50x150mm	€ 180	lm
Beam	Al. 80x130mm	€ 96	lm
Beam	Al. 100x150mm	€ 151	lm
Beam	St. 100x150x3mm	€ 310	lm
Beam	St. 100x150x5mm	€ 377	lm
Beam	St. 100x200x3mm	€ 315	lm
Beam	St. 100x200x5mm	€ 449	lm
Fabric protection cover	Al. - 63x___cm	€ 59	m ²
Gutter	Special Profile	€ 44	lm

*Max. St 3mm. Pillar (St. 100x100x3mm) height is 380cm

*Max. St. 5mm Pillar (St. 100x100x5mm) height is 480cm

PRICE DIFFERENCE

BEAM GROUP			
		Standard	Al. 40x120mm
Back Beam	to		Al. 42x150mm € 39 lm
			Al. 50x150mm € 119 lm
			Al. 80x130mm € 30 lm
			St. 50x150x3mm € 151 lm
			St. 50x150x5mm € 237 lm
			Al. 100x150mm € 87 lm
			St. 100x150x3mm € 255 lm
			St. 100x150x5mm € 327 lm
			St. 100x200x3mm € 258 lm
			St. 100x200x5mm € 399 lm



MINIMUM "A" VALUES

B (cm)	250	300	350	400	450	500	550	600
A (cm)	50	50	50	60	70	80	90	100

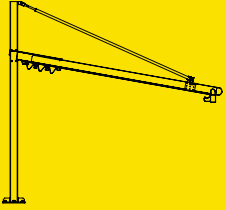
Upper values will be evaluated on a project basis.

Notes:

1. Fabric support profiles can be painted in the same color as the general construction. No fee is paid for this process. However, the plastic color should be specified from our standard plastic colours in Palmiye Color Chart.
2. For one product, a dry contact transmitter costing 358€, must be added.
3. Up to 5 products, a RS485 Automation interface dry contact transmitter costing 1094€, must be added.

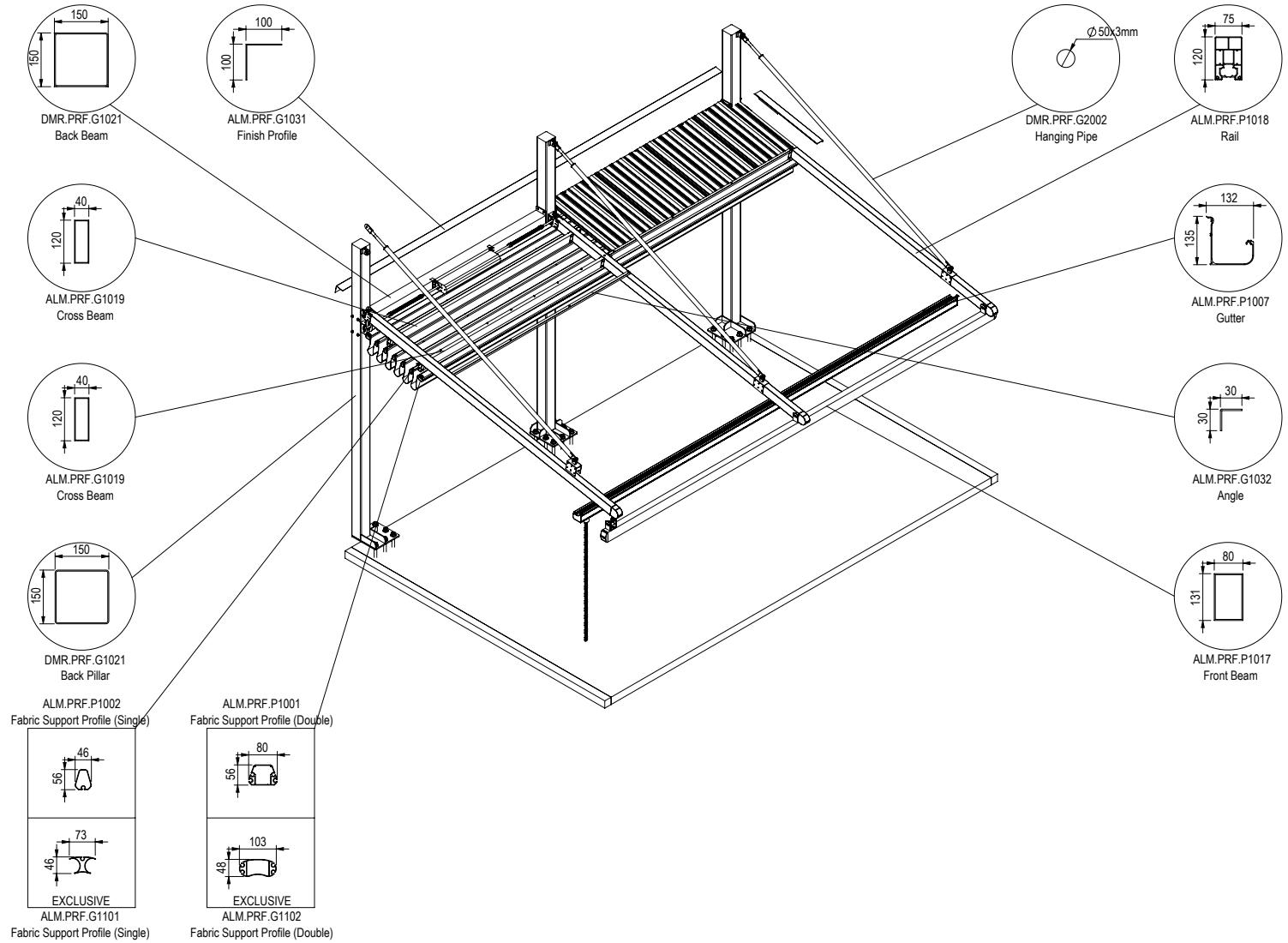
SILVER Compact

Hanging Freestanding



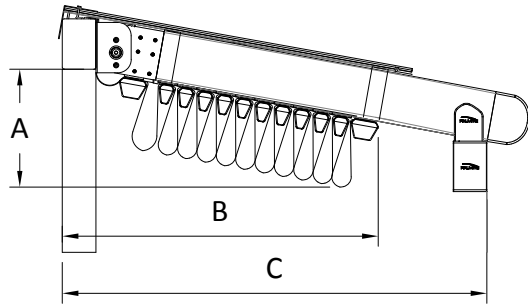
MAXIMUM DIMENSIONS

	WIDTH	PROJECTION
2 RAILS	450 cm	600 cm
3 RAILS	900 cm	600 cm
4 RAILS	1300 cm	600 cm



TECHNICAL FEATURES

COLLECTED FABRIC DIMENSIONS



No of Fabric Support Profiles	TILTED VERSION Projection cm									
	185	235	284	334	383	433	482	532	581	C
4	34									61
5		35								68
6			36							74
7				37						81
8					38					87
9						39				94
10							40			100
11								41		107
13									43	120

*Calculated according to a slope of 15%

DRAINAGE CALCULATION

Type	Max. m ²
Compact	30 m ² /pc

* per drainage

There should be at least one drainage, each 8 m length gutter.

MINIMUM SLOPE CHART

Projection	Slope										
	6,4-7,9%	7,4-8,8%	8,4-9,7%	9,4-10,8%	10,4-12%	11,2-12,7%	12-13,4%	13-14,5%	14-15,7%	15-16,6%	16-17,6%
	Rail Center										
	200	225	250	275	300	325	350	375	400	425	450
250	16	19	21	24	26	28	30	33	35	38	40
300	20	23	26	29	31	34	37	40	42	45	48
350	23	27	30	34	37	40	43	46	49	53	56
400	27	31	35	39	42	46	49	53	57	61	64
450	32	36	40	44	48	52	56	60	64	69	73
500	36	41	45	50	54	59	63	68	72	77	81
550	40	45	50	55	60	65	70	75	80	85	90
600	44	50	55	61	66	72	77	83	88	94	99

For back height of system 25 cm should be added to slope value.

*Note: Max. slope can be up to 25%

WIND RESISTANCE

PROJECTION (cm)	WIDTH (cm)																	
	450	500	550	600	650	700	750	800	850	900	950	1000	1050	1100	1150	1200	1250	1300
400	10	10	10	9	9	9	9	8	8	8	9	9	9	9	8	8	8	8
450	9	9	9	8	8	8	8	7	7	7	8	8	8	8	7	7	7	7
500	8	8	8	8	8	7	7	7	7	6	8	7	7	7	7	7	7	6
550	8	8	7	7	7	7	6	6	6	6	7	7	7	6	6	6	6	6
600	7	7	7	6	6	6	6	6	5	5	6	6	6	6	6	6	5	5

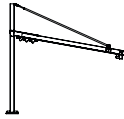
All sides open

*The values are given according to the Beaufort scale.

**Calculated for Products with a front height of 250 cm according to Eurocode EN 1991-1-4 Terrain Category 4.

*** You can ask for new calculations for special designs.

SILVER Compact Hanging Freestanding



Projection	Width																				FS4	FS9-C		
	2 RAILS					3 RAILS									4 RAILS									
	250 cm	300 cm	350 cm	400 cm	450 cm	500 cm	550 cm	600 cm	650 cm	700 cm	750 cm	800 cm	850 cm	900 cm	950 cm	1000 cm	1050 cm	1100 cm	1150 cm	1200 cm	1250 cm	1300 cm		
200 cm	€ 7.424	€ 7.717	€ 8.126	€ 8.546	€ 8.837	€ 10.836	€ 11.119	€ 11.403	€ 11.943	€ 12.181	€ 12.377	€ 12.657	€ 12.939	€ 13.219	€ 15.347	€ 15.623	€ 15.902	€ 16.182	€ 16.460	€ 16.674	€ 17.047	€ 17.480	€ 950	€ 194
250 cm	€ 7.681	€ 8.130	€ 8.530	€ 8.832	€ 9.130	€ 11.252	€ 11.703	€ 11.994	€ 12.390	€ 12.637	€ 12.843	€ 13.287	€ 13.734	€ 13.867	€ 15.945	€ 16.232	€ 16.676	€ 16.961	€ 17.249	€ 17.472	€ 17.858	€ 18.298	€ 1.049	€ 234
300 cm	€ 8.137	€ 8.637	€ 9.088	€ 9.443	€ 9.793	€ 12.097	€ 12.599	€ 12.945	€ 13.396	€ 13.690	€ 13.950	€ 14.446	€ 14.946	€ 15.136	€ 17.358	€ 17.700	€ 18.196	€ 18.534	€ 18.876	€ 19.143	€ 19.578	€ 20.070	€ 1.148	€ 275
350 cm	€ 8.550	€ 8.910	€ 9.370	€ 9.881	€ 10.241	€ 12.679	€ 13.037	€ 13.547	€ 14.008	€ 14.308	€ 14.579	€ 15.088	€ 15.603	€ 15.794	€ 18.278	€ 18.629	€ 18.981	€ 19.329	€ 19.832	€ 20.107	€ 20.552	€ 20.901	€ 1.247	€ 314
400 cm	€ 8.815	€ 9.186	€ 9.655	€ 10.175	€ 10.544	€ 13.105	€ 13.474	€ 13.992	€ 14.461	€ 14.772	€ 15.054	€ 15.568	€ 16.090	€ 16.297	€ 18.890	€ 19.252	€ 19.614	€ 19.970	€ 20.485	€ 20.765	€ 21.221	€ 21.579	€ 1.344	€ 355
450 cm	€ 9.224	€ 9.631	€ 10.136	€ 10.692	€ 11.100	€ 13.816	€ 14.222	€ 14.778	€ 15.283	€ 15.628	€ 15.948	€ 16.499	€ 17.057	€ 17.301	€ 20.036	€ 20.432	€ 20.828	€ 21.224	€ 21.775	€ 22.089	€ 22.582	€ 22.976	€ 1.444	€ 395
500 cm	€ 9.489	€ 9.905	€ 10.422	€ 10.987	€ 11.403	€ 14.245	€ 14.658	€ 15.225	€ 15.743	€ 16.092	€ 16.421	€ 16.985	€ 17.553	€ 17.804	€ 20.648	€ 21.055	€ 21.462	€ 21.866	€ 22.426	€ 22.748	€ 23.251	€ 23.655	€ 1.543	€ 436
550 cm	€ 9.755	€ 10.180	€ 10.707	€ 11.281	€ 11.707	€ 14.674	€ 15.094	€ 15.672	€ 16.203	€ 16.556	€ 16.894	€ 17.470	€ 18.050	€ 18.308	€ 21.261	€ 21.679	€ 22.097	€ 22.508	€ 23.077	€ 23.406	€ 23.920	€ 24.333	€ 1.642	€ 475
600 cm	€ 10.020	€ 10.454	€ 10.993	€ 11.576	€ 12.010	€ 15.103	€ 15.531	€ 16.120	€ 16.663	€ 17.019	€ 17.366	€ 17.955	€ 18.546	€ 18.811	€ 21.874	€ 22.303	€ 22.732	€ 23.150	€ 23.728	€ 24.064	€ 24.589	€ 25.011	€ 1.741	€ 516
FS3	€ 234	€ 245	€ 267	€ 294	€ 318	€ 342	€ 367	€ 391	€ 415	€ 439	€ 565	€ 589	€ 613	€ 638	€ 664	€ 688	€ 712	€ 737	€ 761	€ 785	€ 810	€ 834		
FS5-A	€ 43	€ 54	€ 64	€ 73	€ 84	€ 93	€ 105	€ 114	€ 125	€ 135	€ 146	€ 155	€ 166	€ 176	€ 187	€ 196	€ 208	€ 217	€ 228	€ 237	€ 249	€ 258		
FS5-E	€ 59	€ 75	€ 88	€ 100	€ 116	€ 129	€ 144	€ 157	€ 173	€ 185	€ 201	€ 214	€ 229	€ 242	€ 257	€ 270	€ 286	€ 299	€ 314	€ 327	€ 342	€ 355		

FS3	Gutter System
FS5-A	Additional Fabric Support Profile (Standard)
FS5-E	Additional Fabric Support Profile (3 Axis)
FS4	Additional Rail for Compact Series- Al.- 75x120mm
FS8	Lighting System
FS9-C	Side Beam for Compact Series- Al.- 80x130mm

FS8	
FS8-S	SPOT
FS8-L	LINEAR
FS8-LR (RGB)	LINEAR (RGB)

LED TYPE & MODULE		
2 LED	3 LED	4 LED
€ 132	€ 160	€ 189
€ 189	€ 245	
€ 240	€ 311	

Notes:

- Any Side Beam is not included in the price.
- FS Flexy Plain/3D or Stam 6002 is included in the price.
- Motor and Remote control is included in the price.
- Palmiye Aluminium Coating Catalogue includes the standard colours with no extra cost. For any other type/brand/color of paint, price difference and additional delivery duration shall be checked from your customer representative.
- Standard fabric support profile plastic colours are specified in Palmiye Aluminium Coating Catalogue.
- In pergolas including steel front pillars, if gutter option is preferred, external water drainage points will be specified according to the Project and will be priced additionally.

DEDUCTIONS

Price deduction is applicable only for back pillars and back beam. Deduction amount shall be consider as 70% of related option price.

OPTIONS

FS10-150ST3	Extra pillar (150x150x3mm St.)	€ 952	pcs
FS10-150ST5	Extra pillar (150x150x5mm St.)	€ 1.331	pcs
FS10-150ST5-H	Extra Half pillar (150x150x5mm St.)	€ 160	pcs
FS11	Deco ceiling cover	€ 70	m ²
FS15-C	Side beam pillar (80x80mm - Al)	€ 392	pcs
FS19	Fix louver	€ 73	lm
FS24	W96 Ceiling Cover	€ 81	m ²
FS26	Exclusive fabric difference (up to 800cm width)	€ 48	m ²
FS28-1	Stainless steel chain - 100 cm	€ 77	1m
FS28-2	Stainless steel chain - 200 cm	€ 149	2m
FS28-3	Stainless steel chain - 300 cm	€ 217	3m
FS28-4	Stainless steel chain - 400 cm	€ 290	4m
FS29-1	Sun Sensor (SUNIS) (for single motor)	€ 604	pcs
FS29-1S	Sun Sensor (SUNIS) (for synchronized motor)	€ 962	pcs
FS29-2	Wind Sensor (EOLIS RTS) (for single motor)	€ 284	pcs
FS29-2S	Wind Sensor (EOLIS RTS) (for synchronized motor)	€ 639	pcs
FS29-3	Sun and Wind Sensor (SOLIRIS RTS) (for single motor)	€ 322	pcs
FS29-3S	Sun and Wind Sensor (SOLIRIS RTS) (for synchronized motor)	€ 676	pcs
FS29-42	Rain Sensor (ONDEIS) (for single motor)	€ 558	pcs
FS29-4S3	Rain Sensor (ONDEIS) (for synchronized motor)	€ 912	pcs
FS30	CONNEXOON	€ 510	pcs

Notes:

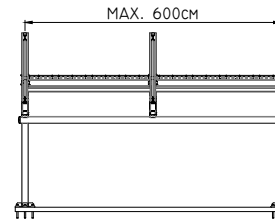
1. Fabric support profiles can be painted in the same color as the general construction. No fee is paid for this process. However, the plastic color should be specified from our standard plastic colours in Palmiye Color Chart.
2. For one product, a dry contact transmitter costing 358€, must be added.
3. Up to 5 products, a RS485 Automation interface dry contact transmitter costing 1094€, must be added.

EXTENSIONS

Rail	Compact - 75x120mm	€ 200	lm
Beam	Al. 40x120mm	€ 63	lm
Beam	Al. 42x150mm	€ 102	lm
Beam	Al. 50x150mm	€ 180	lm
Beam	Al. 80x130mm	€ 96	lm
Beam	Al. 100x150mm	€ 151	lm
Beam	St. 100x150x3mm	€ 310	lm
Beam	St. 100x150x5mm	€ 377	lm
Beam	St. 100x200x3mm	€ 315	lm
Beam	St. 100x200x5mm	€ 449	lm
Fabric protection cover	Al. - 63x___cm	€ 59	m ²
Gutter	Special Profile	€ 44	lm

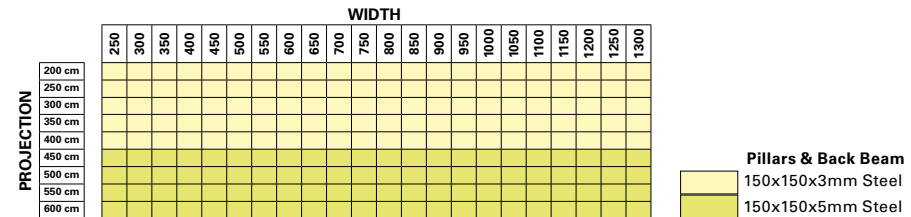
PRICE DIFFERENCE

				PILLAR GROUP	
Pillar	Standard	St. 150x150x3mm			
		to	St. 150x150x5mm	€ 520	pcs



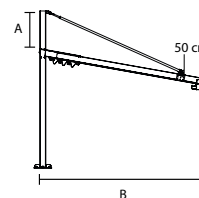
- The front beam can not be produced in steel.
- Ground flanges are 380x380x15 mm.
- When pillar reduction is applied, half pillar must be installed at the back of each rail shaft, and steel back pillars and back beam should be 150x150 mm.
- In condition of adding an additional rail, a steel 150x150 mm back pillar should also be added.

STANDARD CONSTRUCTION



* In case of reducing middle pillars, distance between the pillars can be maximum 600 cm.

** Steel with a wall thickness of 5 mm must be used in all cases where the pillar is reduced.

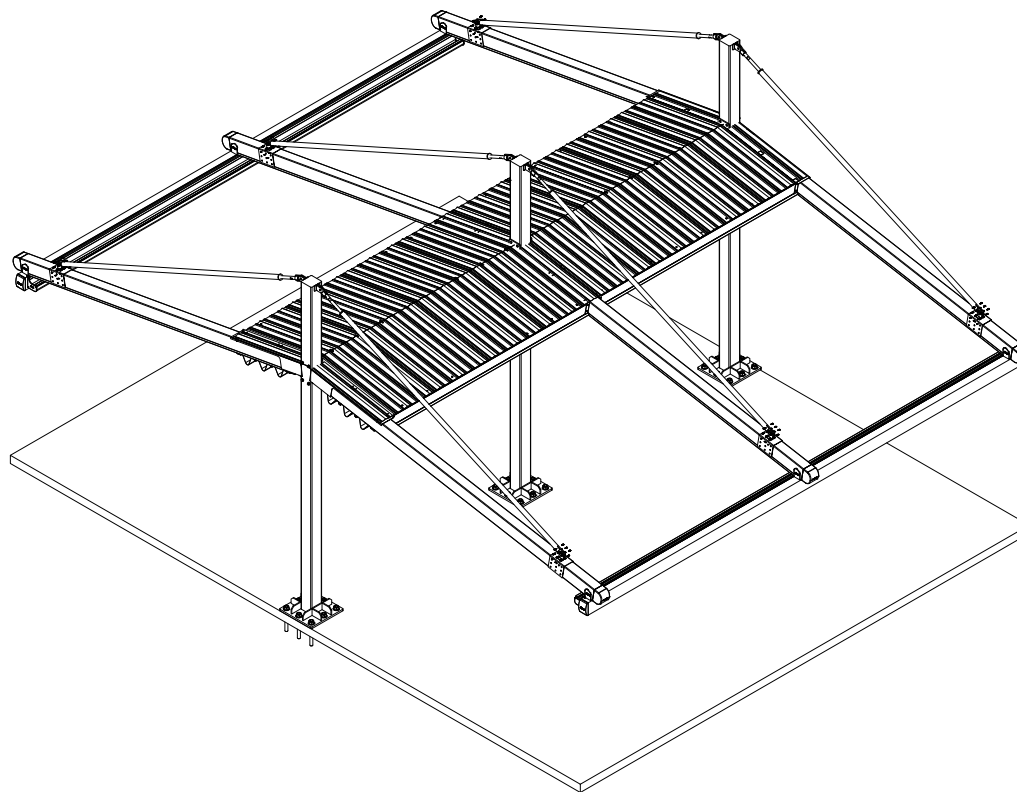


- Max. pillar length: 480 cm

MINIMUM "A" VALUES

B (cm)	250	300	350	400	450	500	550	600
A (cm)	50	50	50	60	70	80	90	100

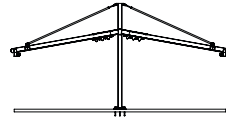
Upper values will be evaluated on a project basis.



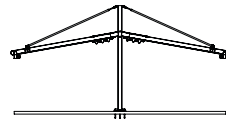
SILVERTWIN HANGING

PRODUCT FORMS

- **Silver Twin Hanging**
-

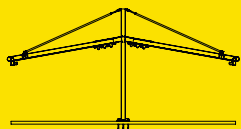


- **Silver Compact Twin Hanging**
-



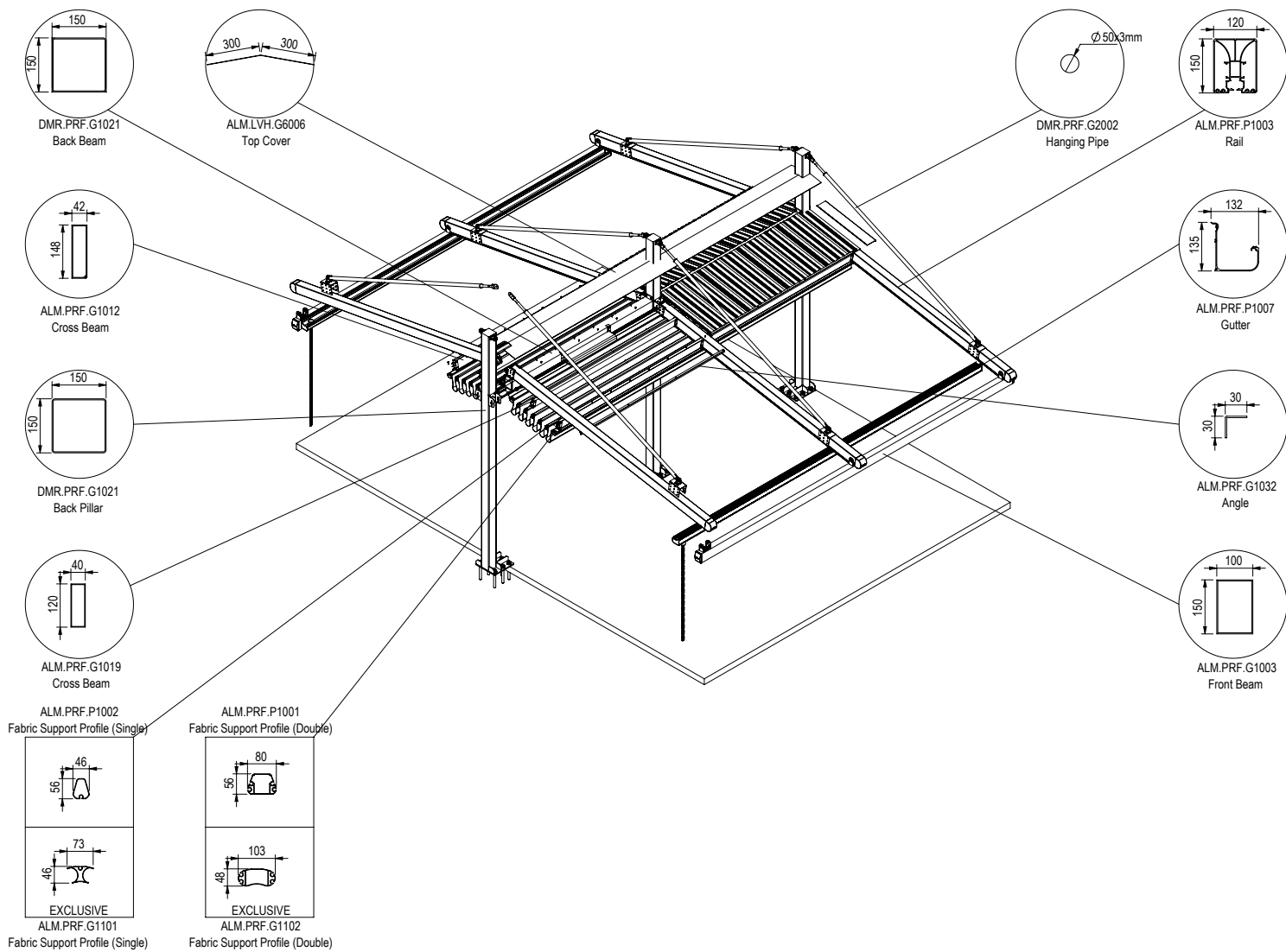
SILVER

Twin Hanging



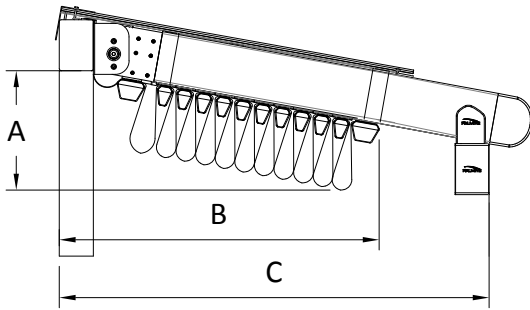
MAXIMUM DIMENSIONS

	WIDTH	PROJECTION
2 RAILS	400 cm	1200 cm
3 RAILS	900 cm	1200 cm
4 RAILS	1300 cm	1200 cm



TECHNICAL FEATURES

COLLECTED FABRIC DIMENSIONS



No of Fabric Support Profiles	Projection cm										C
	185	235	284	334	383	433	482	532	581		
4	35										66
5		36									73
6			37								79
7				38							86
8					39						92
9						40					99
10							41				105
11								42			112
12									43		118

*Calculated according to a slope of 15%

DRAINAGE CALCULATION

Type	Max. m ²
Full	39 m ² /pc

* per drainage

There should be at least one drainage, each 8 m length gutter.

MINIMUM SLOPE CHART

Projection	Slope										
	6,4-7,9%	7,4-8,8%	8,4-9,7%	9,4-10,8%	10,4-12%	11,2-12,7%	12-13,4%	13-14,5%	14-15,7%	15-16,6%	16-17,6%
	Rail Center										
	200	225	250	275	300	325	350	375	400	425	450
250	16	19	21	24	26	28	30	33	35	38	40
300	20	23	26	29	31	34	37	40	42	45	48
350	23	27	30	34	37	40	43	46	49	53	56
400	27	31	35	39	42	46	49	53	57	61	64
450	32	36	40	44	48	52	56	60	64	69	73
500	36	41	45	50	54	59	63	68	72	77	81
550	40	45	50	55	60	65	70	75	80	85	90
600	44	50	55	61	66	72	77	83	88	94	99

*Note: Max. slope can be up to 25%

For back height of system 30 cm should be added to slope value.

WIND RESISTANCE

PROJECTION (cm)	WIDTH (cm)																	
	450	500	550	600	650	700	750	800	850	900	950	1000	1050	1100	1150	1200	1250	1300
800	10	10	10	9	9	9	9	9	8	8	9	9	9	9	9	9	8	8
900	9	9	9	9	8	8	8	8	7	7	8	8	8	8	8	8	7	7
1000	8	8	8	8	7	7	7	7	6	6	7	7	7	7	7	7	6	6
1100	7	7	7	7	6	6	6	6	6	6	6	6	6	6	6	6	6	6
1200	7	6	6	6	6	6	6	6	5	5	6	6	6	6	6	6	5	5

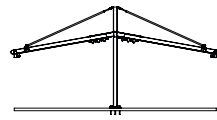
All sides open

*The values are given according to the Beaufort scale.

**Calculated for Products with a front height of 250 cm according to Eurocode EN 1991-1-4 Terrain Category 4.

*** You can ask for new calculations for special designs.

SILVER Twin Hanging



Projection	2 RAILS					3 RAILS									4 RAILS									FS4	FS9	FS9-S
	250 cm	300 cm	350 cm	400 cm	450 cm	500 cm	550 cm	600 cm	650 cm	700 cm	750 cm	800 cm	850 cm	900 cm	950 cm	1000 cm	1050 cm	1100 cm	1150 cm	1200 cm	1250 cm	1300 cm				
400 cm	€ 14.343	€ 15.043	€ 16.026	€ 17.030	€ 17.730	€ 20.830	€ 21.513	€ 22.197	€ 23.495	€ 24.072	€ 24.550	€ 25.224	€ 25.904	€ 26.584	€ 30.004	€ 30.675	€ 31.353	€ 32.029	€ 32.707	€ 33.233	€ 34.138	€ 35.187	€ 1.631	€ 430	€ 626	
450 cm	€ 14.657	€ 15.545	€ 16.517	€ 17.381	€ 18.090	€ 21.339	€ 22.223	€ 22.915	€ 24.042	€ 24.628	€ 25.119	€ 25.991	€ 26.871	€ 27.375	€ 30.738	€ 31.422	€ 32.297	€ 32.984	€ 33.673	€ 34.207	€ 35.129	€ 36.187	€ 1.750	€ 479	€ 704	
500 cm	€ 14.970	€ 16.045	€ 17.005	€ 17.730	€ 18.448	€ 21.846	€ 22.928	€ 23.632	€ 24.588	€ 25.184	€ 25.688	€ 26.759	€ 27.835	€ 28.164	€ 31.469	€ 32.166	€ 33.238	€ 33.935	€ 34.638	€ 35.180	€ 36.116	€ 37.184	€ 1.870	€ 527	€ 782	
550 cm	€ 15.525	€ 16.663	€ 17.683	€ 18.472	€ 19.254	€ 22.872	€ 24.017	€ 24.786	€ 25.806	€ 26.460	€ 27.030	€ 28.164	€ 29.308	€ 29.702	€ 33.184	€ 33.946	€ 35.084	€ 35.844	€ 36.611	€ 37.207	€ 38.207	€ 39.336	€ 1.990	€ 576	€ 860	
600 cm	€ 16.079	€ 17.281	€ 18.363	€ 19.214	€ 20.059	€ 23.899	€ 25.106	€ 25.942	€ 27.024	€ 27.737	€ 28.373	€ 29.569	€ 30.780	€ 31.240	€ 34.896	€ 35.725	€ 36.929	€ 37.751	€ 38.585	€ 39.236	€ 40.298	€ 41.489	€ 2.109	€ 625	€ 939	
650 cm	€ 16.581	€ 17.617	€ 18.710	€ 19.748	€ 20.806	€ 24.606	€ 25.644	€ 26.677	€ 27.773	€ 28.493	€ 29.140	€ 30.353	€ 31.582	€ 32.046	€ 36.020	€ 36.860	€ 37.893	€ 38.725	€ 39.754	€ 40.416	€ 41.491	€ 42.511	€ 2.229	€ 673	€ 1.017	
700 cm	€ 17.085	€ 17.955	€ 19.061	€ 20.286	€ 21.155	€ 25.317	€ 26.184	€ 27.411	€ 28.526	€ 29.251	€ 29.911	€ 31.140	€ 32.387	€ 32.853	€ 37.144	€ 37.996	€ 38.856	€ 39.703	€ 40.925	€ 41.598	€ 42.685	€ 43.534	€ 2.349	€ 722	€ 1.095	
750 cm	€ 17.414	€ 18.295	€ 19.414	€ 20.650	€ 21.532	€ 25.842	€ 26.722	€ 27.962	€ 29.086	€ 29.824	€ 30.498	€ 31.737	€ 32.989	€ 33.478	€ 37.902	€ 38.767	€ 39.638	€ 40.498	€ 41.732	€ 42.414	€ 43.512	€ 44.374	€ 2.468	€ 770	€ 1.173	
800 cm	€ 17.741	€ 18.634	€ 19.764	€ 21.013	€ 21.908	€ 26.366	€ 27.259	€ 28.511	€ 29.646	€ 30.397	€ 31.082	€ 32.331	€ 33.591	€ 34.100	€ 38.656	€ 39.534	€ 40.418	€ 41.291	€ 42.538	€ 43.229	€ 44.340	€ 45.214	€ 2.588	€ 819	€ 1.252	
850 cm	€ 18.079	€ 18.984	€ 20.126	€ 21.388	€ 22.293	€ 26.910	€ 27.813	€ 29.080	€ 30.226	€ 30.988	€ 31.686	€ 32.946	€ 34.218	€ 34.738	€ 39.433	€ 40.323	€ 41.216	€ 42.103	€ 43.365	€ 44.061	€ 45.185	€ 46.072	€ 2.708	€ 868	€ 1.330	
900 cm	€ 18.415	€ 19.334	€ 20.488	€ 21.761	€ 22.679	€ 27.451	€ 28.369	€ 29.648	€ 30.806	€ 31.578	€ 32.289	€ 33.562	€ 34.847	€ 35.376	€ 40.209	€ 41.112	€ 42.014	€ 42.918	€ 44.191	€ 44.894	€ 46.030	€ 46.929	€ 2.827	€ 916	€ 1.408	
950 cm	€ 18.748	€ 19.677	€ 20.843	€ 22.130	€ 23.059	€ 27.984	€ 28.911	€ 30.202	€ 31.377	€ 32.155	€ 32.878	€ 34.164	€ 35.465	€ 36.004	€ 40.972	€ 41.887	€ 42.803	€ 43.716	€ 45.001	€ 45.716	€ 46.865	€ 47.776	€ 2.947	€ 965	€ 1.486	
1000 cm	€ 19.077	€ 20.019	€ 21.197	€ 22.495	€ 23.437	€ 28.515	€ 29.451	€ 30.755	€ 31.944	€ 32.731	€ 33.467	€ 34.766	€ 36.082	€ 36.631	€ 41.732	€ 42.661	€ 43.589	€ 44.512	€ 45.810	€ 46.536	€ 47.698	€ 48.621	€ 3.067	€ 1.014	€ 1.564	
1050 cm	€ 19.406	€ 20.361	€ 21.552	€ 22.861	€ 23.815	€ 29.046	€ 29.991	€ 31.308	€ 32.511	€ 33.307	€ 34.056	€ 35.367	€ 36.698	€ 37.258	€ 42.492	€ 43.436	€ 44.374	€ 45.309	€ 46.619	€ 47.356	€ 48.530	€ 49.467	€ 3.199	€ 1.064	€ 1.643	
1100 cm	€ 19.735	€ 20.703	€ 21.906	€ 23.226	€ 24.193	€ 29.577	€ 30.531	€ 31.860	€ 33.078	€ 33.884	€ 34.646	€ 35.969	€ 37.314	€ 37.885	€ 43.252	€ 44.211	€ 45.160	€ 46.105	€ 47.429	€ 48.176	€ 49.363	€ 50.312	€ 3.334	€ 1.113	€ 1.721	
1150 cm	€ 20.064	€ 21.044	€ 22.261	€ 23.592	€ 24.571	€ 30.108	€ 31.071	€ 32.413	€ 33.646	€ 34.460	€ 35.235	€ 36.571	€ 37.931	€ 38.513	€ 44.012	€ 44.985	€ 45.945	€ 46.901	€ 48.238	€ 48.996	€ 50.196	€ 51.157	€ 3.467	€ 1.163	€ 1.799	
1200 cm	€ 20.394	€ 21.386	€ 22.615	€ 23.957	€ 24.950	€ 30.638	€ 31.611	€ 32.966	€ 34.213	€ 35.036	€ 35.824	€ 37.173	€ 38.547	€ 39.140	€ 44.772	€ 45.760	€ 46.730	€ 47.698	€ 49.047	€ 49.816	€ 51.028	€ 52.003	€ 3.600	€ 1.212	€ 1.877	
FS3	€ 234	€ 245	€ 267	€ 294	€ 318	€ 342	€ 367	€ 391	€ 415	€ 439	€ 565	€ 589	€ 613	€ 638	€ 664	€ 688	€ 712	€ 737	€ 761	€ 785	€ 810	€ 834				
FS5-A	€ 43	€ 54	€ 64	€ 73	€ 84	€ 93	€ 105	€ 114	€ 125	€ 135	€ 146	€ 155	€ 166	€ 176	€ 187	€ 196	€ 208	€ 217	€ 228	€ 237	€ 249	€ 258				
FS5-E	€ 59	€ 75	€ 88	€ 100	€ 116	€ 129	€ 144	€ 157	€ 173	€ 185	€ 201	€ 214	€ 229	€ 242	€ 257	€ 270	€ 286	€ 299	€ 314	€ 327	€ 342	€ 355				

FS3	Gutter System (For One Side)
FS5-A	Additional Fabric Support Profile (Standard)
FS5-E	Additional Fabric Support Profile (3 Axis)
FS4	Additional Rail - Al.Plus- 120x150mm
FS8	Lighting System
FS9	Side Beam - Al. - 50x150mm
FS9-S	Side Beam - Al. - 100x150mm (Special)

FS8	
FS8-S	SPOT
FS8-L	LINEAR
FS8-LR (RGB)	LINEAR (RGB)

LEDTYPE & MODULE		
2 LED	3 LED	4 LED
€ 132	€ 160	€ 189
€ 189	€ 245	
€ 240	€ 311	

Notes:

- Any Side Beam is not included in the price.
- FS Flexy Plain/3D or Stam 6002 is included in the price.
- Motor and Remote control is included in the price.
- Palmye Aluminium Coating Catalogue includes the standard colours with no extra cost. For any other type/brand/color of paint, price difference and additional delivery duration shall be checked from your customer representative.
- Standard fabric support profile plastic colours are specified in Palmye Aluminium Coating Catalogue.
- The gutter option price is for one side and must be added separately for each side.
- In pergolas including steel front pillars, if gutter option is preferred, external water drainage points will be specified according to the Project and will be priced additionally.

DEDUCTIONS

Price deduction is applicable only for back pillars and back beam. Deduction amount shall be consider as 70% of related option price.

OPTIONS

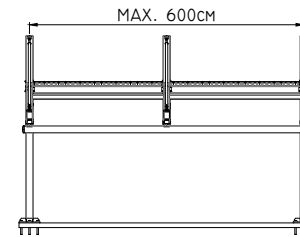
FS10-150ST3	Extra pillar (150x150x3mm St.)	€ 952	pcs
FS10-150ST5	Extra pillar (150x150x5mm St.)	€ 1.331	pcs
FS10-150ST5-H	Extra Half pillar (150x150x5mm St.)	€ 160	pcs
FS11	Deco ceiling cover	€ 70	m ²
FS15	Side beam pillar (50x100mm - Al)	€ 276	pcs
FS15-B	Side beam pillar (100x100mm - Al)	€ 532	pcs
FS19	Fix louver	€ 73	lm
FS24	W96 Ceiling Cover	€ 81	m ²
FS26	Exclusive fabric difference (up to 800cm width)	€ 48	m ²
FS28-1	Stainless steel chain - 100 cm	€ 77	1m
FS28-2	Stainless steel chain - 200 cm	€ 149	2m
FS28-3	Stainless steel chain - 300 cm	€ 217	3m
FS28-4	Stainless steel chain - 400 cm	€ 290	4m
FS29-1	Sun Sensor (SUNIS) (for single motor)	€ 604	pcs
FS29-1S	Sun Sensor (SUNIS) (for synchronized motor)	€ 962	pcs
FS29-2	Wind Sensor (EOLIS RTS) (for single motor)	€ 284	pcs
FS29-2S	Wind Sensor (EOLIS RTS) (for synchronized motor)	€ 639	pcs
FS29-3	Sun and Wind Sensor (SOLIRIS RTS) (for single motor)	€ 322	pcs
FS29-3S	Sun and Wind Sensor (SOLIRIS RTS) (for synchronized motor)	€ 676	pcs
FS29-42	Rain Sensor (ONDEIS) (for single motor)	€ 558	pcs
FS29-4S3	Rain Sensor (ONDEIS) (for synchronized motor)	€ 912	pcs
FS30	CONNEXOON	€ 510	pcs

Notes:

1. Fabric support profiles can be painted in the same color as the general construction. No fee is paid for this process. However, the plastic color should be specified from our standard plastic colours in Palmiye Color Chart.
2. For one product, a dry contact transmitter costing 358€, must be added.
3. Up to 5 products, a RS485 Automation interface dry contact transmitter costing 1094€, must be added.

EXTENSIONS

Rail	Plus - 120x150mm	€ 328	lm
Beam	Al. 42x150mm	€ 102	lm
Beam	Al. 50x150mm	€ 180	lm
Beam	Al. 100x150mm	€ 151	lm
Beam	St. 100x150x3mm	€ 310	lm
Beam	St. 100x150x5mm	€ 377	lm
Beam	St. 100x200x3mm	€ 315	lm
Beam	St. 100x200x5mm	€ 449	lm
Fabric protection cover	Al. - 63x__cm	€ 59	m ²
Gutter	Special Profile	€ 44	lm



- The front beam can not be produced in steel.
- Ground flanges are 380x380x15 mm.
- When pillar reduction is applied, half pillar must be installed at the back of each rail shaft, and steel back pillars and back beam should be 150x150 mm.
- In condition of adding an additional rail, a steel 150x150 mm back pillar should also be added.

STANDARD CONSTRUCTION

		WIDTH																						
		250	300	350	400	450	500	550	600	650	700	750	800	850	900	950	1000	1050	1100	1150	1200	1250	1300	
PROJECTION	200 cm																							
	250 cm																							
	300 cm																							
	350 cm																							
	400 cm																							
	450 cm																							
	500 cm																							
550 cm																								
600 cm																								

Pillars & Back Beam
 150x150x3mm Steel
 150x150x5mm Steel

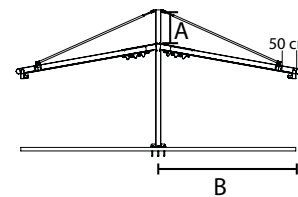
* In case of reducing middle pillars, distance between the pillars can be maximum 600 cm.

** Steel with a wall thickness of 5 mm must be used in all cases where the pillar is reduced.

MINIMUM "A" VALUES

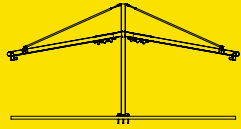
B (cm)	250	300	350	400	450	500	550	600
A (cm)	50	50	50	60	70	80	90	100

Upper values will be evaluated on a project basis.



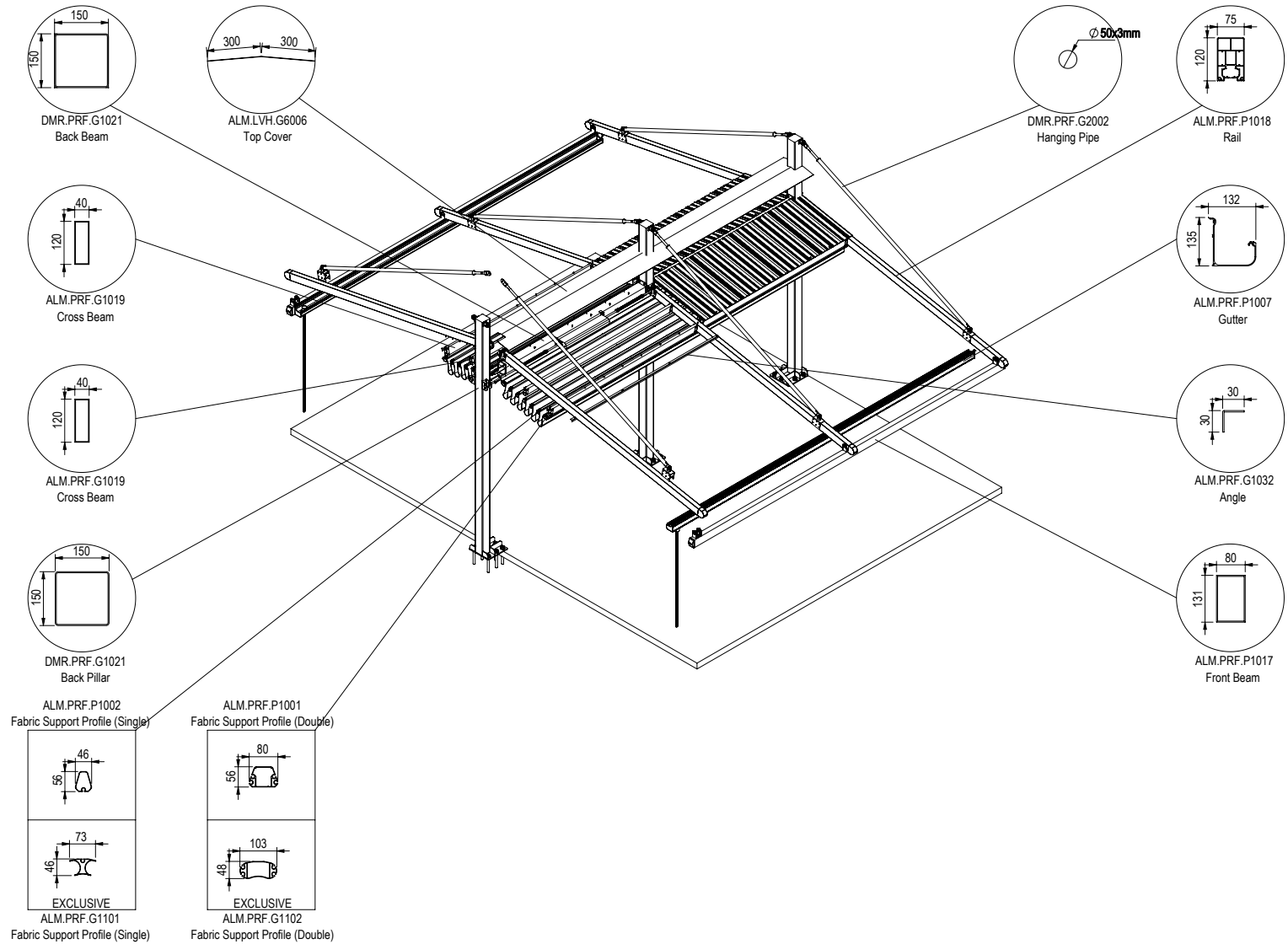
SILVER

Compact Twin Hanging



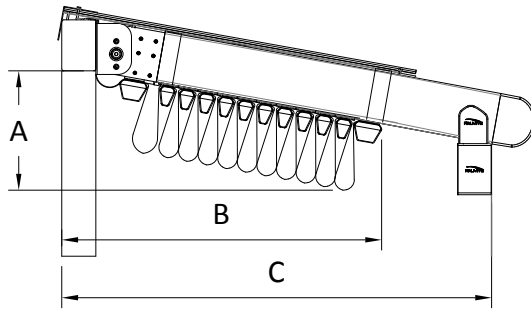
MAXIMUM DIMENSIONS

	WIDTH	PROJECTION
2 RAILS	400 cm	1200 cm
3 RAILS	900 cm	1200 cm
4 RAILS	1300 cm	1200 cm



TECHNICAL FEATURES

COLLECTED FABRIC DIMENSIONS



No of Fabric Support Profiles	Projection cm										C
	185	235	284	334	383	433	482	532	581		
4	35										66
5		36									73
6			37								79
7				38							86
8					39						92
9						40					99
10							41				105
11								42			112
12									43		118

*Calculated according to a slope of 15%

DRAINAGE CALCULATION

Type	Max. m ²
Compact	30 m ² /pc

gutter.* per drainage

There should be at least one drainage, each 8 m length

MINIMUM SLOPE CHART

Projection	Slope										
	6,4-7,9%	7,4-8,8%	8,4-9,7%	9,4-10,8%	10,4-12%	11,2-12,7%	12-13,4%	13-14,5%	14-15,7%	15-16,6%	16-17,6%
	Rail Center										
	200	225	250	275	300	325	350	375	400	425	450
250	11	14	16	19	21	23	25	28	30	33	35
300	15	18	21	24	26	29	32	35	37	40	43
350	18	22	25	29	32	35	38	41	44	48	51
400	22	26	30	34	37	41	44	48	52	56	59
450	27	31	35	39	43	47	51	55	59	64	68
500	31	36	40	45	49	54	58	63	67	72	76
550	35	40	45	50	55	60	65	70	75	80	85
600	39	45	50	56	61	67	72	78	83	89	94

* Note: Max. slope can be up to 25%

For back height of system 25 cm should be added to slope value.

WIND RESISTANCE

PROJECTION (cm)	WIDTH (cm)																	
	450	500	550	600	650	700	750	800	850	900	950	1000	1050	1100	1150	1200	1250	1300
400	11	11	11	11	11	11	11	10	10	10	11	11	11	11	10	10	10	10
500	11	11	10	10	10	10	9	9	9	10	10	10	10	9	9	9	9	9
600	10	10	10	9	9	9	8	8	8	8	9	9	9	8	8	8	8	8
700	9	9	9	8	8	8	7	7	7	7	8	8	8	7	7	7	7	7
800	9	9	8	7	7	7	7	7	7	6	7	7	7	7	7	7	7	6
900	7	7	7	6	6	6	6	6	6	5	6	6	6	6	6	6	6	5
1000	6	6	6	6	6	6	6	5	5	5	6	6	6	6	5	5	5	5
1100	5	5	5	5	5	5	5	5	5	5	5	5	5	5	5	5	5	5
1200	5	5	5	5	5	5	5	4	4	4	4	5	5	5	4	4	4	4

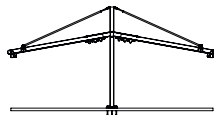
*The values are given according to the Beaufort scale.

**Calculated for Products with a front height of 250 cm according to Eurocode EN 1991-1-4 Terrain Category 4.

*** You can ask for new calculations for special designs.

All sides open

SILVER Compact Twin Hanging



Projection	2 RAILS						3 RAILS						4 RAILS						FS4	FS9-C				
	250 cm	300 cm	350 cm	400 cm	450 cm	500 cm	550 cm	600 cm	650 cm	700 cm	750 cm	800 cm	850 cm	900 cm	950 cm	1000 cm	1050 cm	1100 cm			1150 cm	1200 cm	1250 cm	1300 cm
400 cm	€ 11.621	€ 12.185	€ 12.977	€ 13.786	€ 14.348	€ 16.851	€ 17.399	€ 17.946	€ 18.990	€ 19.450	€ 19.830	€ 20.369	€ 20.911	€ 21.453	€ 24.206	€ 24.739	€ 25.278	€ 25.816	€ 26.354	€ 26.769	€ 27.490	€ 28.326	€ 1.345	€ 355
450 cm	€ 11.864	€ 12.579	€ 13.362	€ 14.056	€ 14.625	€ 17.246	€ 17.955	€ 18.509	€ 19.413	€ 19.880	€ 20.270	€ 20.967	€ 21.670	€ 22.070	€ 24.774	€ 25.317	€ 26.013	€ 26.559	€ 27.105	€ 27.527	€ 28.260	€ 29.102	€ 1.444	€ 395
500 cm	€ 12.106	€ 12.970	€ 13.742	€ 14.324	€ 14.900	€ 17.639	€ 18.506	€ 19.068	€ 19.834	€ 20.309	€ 20.708	€ 21.565	€ 22.425	€ 22.683	€ 25.338	€ 25.890	€ 26.745	€ 27.297	€ 27.854	€ 28.281	€ 29.025	€ 29.873	€ 1.543	€ 435
550 cm	€ 12.542	€ 13.457	€ 14.276	€ 14.909	€ 15.535	€ 18.448	€ 19.366	€ 19.980	€ 20.796	€ 21.317	€ 21.768	€ 22.675	€ 23.588	€ 23.898	€ 26.691	€ 27.296	€ 28.202	€ 28.804	€ 29.411	€ 29.881	€ 30.675	€ 31.571	€ 1.641	€ 475
600 cm	€ 12.977	€ 13.942	€ 14.810	€ 15.492	€ 16.169	€ 19.258	€ 20.224	€ 20.891	€ 21.756	€ 22.323	€ 22.828	€ 23.783	€ 24.749	€ 25.111	€ 28.041	€ 28.698	€ 29.656	€ 30.306	€ 30.967	€ 31.479	€ 32.321	€ 33.266	€ 1.740	€ 515
650 cm	€ 13.368	€ 14.200	€ 15.076	€ 15.907	€ 16.593	€ 19.808	€ 20.637	€ 21.462	€ 22.337	€ 22.908	€ 23.422	€ 24.389	€ 25.368	€ 25.733	€ 28.915	€ 29.580	€ 30.399	€ 31.058	€ 31.873	€ 32.394	€ 33.244	€ 34.051	€ 1.839	€ 555
700 cm	€ 13.761	€ 14.458	€ 15.343	€ 16.324	€ 17.018	€ 20.360	€ 21.051	€ 22.030	€ 22.919	€ 23.495	€ 24.017	€ 24.996	€ 25.989	€ 26.355	€ 29.787	€ 30.462	€ 31.141	€ 31.810	€ 32.779	€ 33.307	€ 34.167	€ 34.836	€ 1.938	€ 595
750 cm	€ 14.012	€ 14.717	€ 15.611	€ 16.600	€ 17.304	€ 20.762	€ 21.462	€ 22.451	€ 23.346	€ 23.931	€ 24.464	€ 25.450	€ 26.446	€ 26.830	€ 30.365	€ 31.049	€ 31.736	€ 32.415	€ 33.392	€ 33.927	€ 34.795	€ 35.473	€ 2.036	€ 636
800 cm	€ 14.261	€ 14.974	€ 15.878	€ 16.876	€ 17.589	€ 21.161	€ 21.871	€ 22.869	€ 23.771	€ 24.366	€ 24.908	€ 25.900	€ 26.901	€ 27.301	€ 30.939	€ 31.631	€ 32.328	€ 33.016	€ 34.003	€ 34.544	€ 35.421	€ 36.108	€ 2.135	€ 676
850 cm	€ 14.518	€ 15.241	€ 16.152	€ 17.160	€ 17.880	€ 21.576	€ 22.294	€ 23.302	€ 24.212	€ 24.815	€ 25.366	€ 26.366	€ 27.376	€ 27.784	€ 31.528	€ 32.231	€ 32.934	€ 33.632	€ 34.629	€ 35.174	€ 36.060	€ 36.756	€ 2.234	€ 716
900 cm	€ 14.774	€ 15.506	€ 16.426	€ 17.441	€ 18.171	€ 21.989	€ 22.717	€ 23.733	€ 24.652	€ 25.263	€ 25.823	€ 26.833	€ 27.852	€ 28.266	€ 32.117	€ 32.828	€ 33.538	€ 34.248	€ 35.253	€ 35.803	€ 36.698	€ 37.402	€ 2.333	€ 756
950 cm	€ 15.026	€ 15.765	€ 16.694	€ 17.719	€ 18.457	€ 22.393	€ 23.128	€ 24.153	€ 25.084	€ 25.698	€ 26.268	€ 27.287	€ 28.317	€ 28.738	€ 32.694	€ 33.413	€ 34.133	€ 34.850	€ 35.864	€ 36.422	€ 37.326	€ 38.039	€ 2.431	€ 796
1000 cm	€ 15.274	€ 16.023	€ 16.961	€ 17.994	€ 18.741	€ 22.795	€ 23.536	€ 24.570	€ 25.512	€ 26.133	€ 26.712	€ 27.739	€ 28.781	€ 29.209	€ 33.267	€ 33.997	€ 34.725	€ 35.450	€ 36.472	€ 37.038	€ 37.951	€ 38.673	€ 2.530	€ 836
1050 cm	€ 15.523	€ 16.281	€ 17.228	€ 18.269	€ 19.025	€ 23.197	€ 23.944	€ 24.987	€ 25.940	€ 26.567	€ 27.156	€ 28.192	€ 29.244	€ 29.681	€ 33.840	€ 34.581	€ 35.316	€ 36.049	€ 37.080	€ 37.654	€ 38.576	€ 39.308	€ 2.629	€ 877
1100 cm	€ 15.771	€ 16.539	€ 17.495	€ 18.543	€ 19.309	€ 23.599	€ 24.353	€ 25.405	€ 26.368	€ 27.001	€ 27.600	€ 28.645	€ 29.707	€ 30.152	€ 34.413	€ 35.164	€ 35.908	€ 36.648	€ 37.688	€ 38.270	€ 39.201	€ 39.942	€ 2.728	€ 916
1150 cm	€ 16.020	€ 16.797	€ 17.762	€ 18.818	€ 19.593	€ 24.001	€ 24.761	€ 25.822	€ 26.796	€ 27.436	€ 28.044	€ 29.098	€ 30.170	€ 30.624	€ 34.986	€ 35.748	€ 36.499	€ 37.247	€ 38.296	€ 38.886	€ 39.826	€ 40.576	€ 2.826	€ 957
1200 cm	€ 16.268	€ 17.055	€ 18.029	€ 19.092	€ 19.877	€ 24.403	€ 25.170	€ 26.240	€ 27.224	€ 27.870	€ 28.487	€ 29.551	€ 30.634	€ 31.095	€ 35.559	€ 36.332	€ 37.091	€ 37.846	€ 38.904	€ 39.502	€ 40.451	€ 41.210	€ 2.925	€ 997
FS3	€ 234	€ 245	€ 267	€ 294	€ 318	€ 342	€ 367	€ 391	€ 415	€ 439	€ 565	€ 589	€ 613	€ 638	€ 664	€ 688	€ 712	€ 737	€ 761	€ 785	€ 810	€ 834		
FS5-A	€ 43	€ 54	€ 64	€ 73	€ 84	€ 93	€ 105	€ 114	€ 125	€ 135	€ 146	€ 155	€ 166	€ 176	€ 187	€ 196	€ 208	€ 217	€ 228	€ 237	€ 249	€ 258		
FS5-E	€ 59	€ 75	€ 88	€ 100	€ 116	€ 129	€ 144	€ 157	€ 173	€ 185	€ 201	€ 214	€ 229	€ 242	€ 257	€ 270	€ 286	€ 299	€ 314	€ 327	€ 342	€ 355		

FS3	Gutter System (For One Side)
FS5-A	Additional Fabric Support Profile (Standard)
FS5-E	Additional Fabric Support Profile (3 Axis)
FS4	Additional Rail for Compact Series- Al.- 75x120mm Additional Pillar for Compact Series- Al.- 80x80mm
FS8	Lighting System
FS9-C	Side Beam for Compact Series- Al.- 80x130mm

FS8	
FS8-S	SPOT
FS8-L	LINEAR
FS8-LR (RGB)	LINEAR (RGB)

LED TYPE & MODULE		
2 LED	3 LED	4 LED
€ 132	€ 160	€ 189
€ 189	€ 245	
€ 240	€ 311	

Notes:

- Any Side Beam is not included in the price.
- FS Flexy Plain/3D or Stam 6002 is included in the price.
- Motor and Remote control is included in the price.
- Palmiye Aluminium Coating Catalogue includes the standard colours with no extra cost. For any other type/brand/color of paint, price difference and additional delivery duration shall be checked from your customer representative.
- Standard fabric support profile plastic colours are specified in Palmiye Aluminium Coating Catalogue.
- The gutter option price is for one side and must be added separately for each side.
- In pergolas including steel front pillars, if gutter option is preferred, external water drainage points will be specified according to the Project and will be priced additionally.

DEDUCTIONS

Price deduction is applicable only for back pillars and back beam. Deduction amount shall be consider as 70% of related option price.

OPTIONS

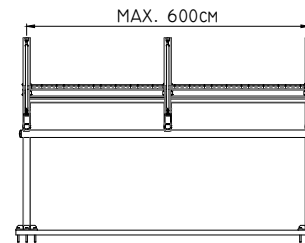
FS10-150ST3	Extra pillar (150x150x3mm St.)	€ 952	pcs
FS10-150ST5	Extra pillar (150x150x5mm St.)	€ 1.331	pcs
FS10-150ST5-H	Extra Half pillar (150x150x5mm St.)	€ 160	pcs
FS11	Deco ceiling cover	€ 70	m²
FS15-C	Side beam pillar (80x80mm - Al)	€ 392	pcs
FS19	Fix louver	€ 73	lm
FS24	W96 Ceiling Cover	€ 81	m²
FS26	Exclusive fabric difference (up to 800cm width)	€ 48	m²
FS28-1	Stainless steel chain - 100 cm	€ 77	1m
FS28-2	Stainless steel chain - 200 cm	€ 149	2m
FS28-3	Stainless steel chain - 300 cm	€ 217	3m
FS28-4	Stainless steel chain - 400 cm	€ 290	4m
FS29-1	Sun Sensor (SUNIS) (for single motor)	€ 604	pcs
FS29-1S	Sun Sensor (SUNIS) (for synchronized motor)	€ 962	pcs
FS29-2	Wind Sensor (EOLIS RTS) (for single motor)	€ 284	pcs
FS29-2S	Wind Sensor (EOLIS RTS) (for synchronized motor)	€ 639	pcs
FS29-3	Sun and Wind Sensor (SOLIRIS RTS) (for single motor)	€ 322	pcs
FS29-3S	Sun and Wind Sensor (SOLIRIS RTS) (for synchronized motor)	€ 676	pcs
FS29-42	Rain Sensor (ONDEIS) (for single motor)	€ 558	pcs
FS29-4S3	Rain Sensor (ONDEIS) (for synchronized motor)	€ 912	pcs
FS30	CONNEXOON	€ 510	pcs

EXTENSIONS

Rail	Compact - 75x120mm	€ 200	lm
Beam	Al. 40x120mm	€ 63	lm
Beam	Al. 42x150mm	€ 102	lm
Beam	Al. 50x150mm	€ 180	lm
Beam	Al. 80x130mm	€ 96	lm
Beam	Al. 100x150mm	€ 151	lm
Beam	St. 100x150x3mm	€ 310	lm
Beam	St. 100x150x5mm	€ 377	lm
Beam	St. 100x200x3mm	€ 315	lm
Beam	St. 100x200x5mm	€ 449	lm
Fabric protection cover	Al. - 63x__cm	€ 59	m²
Gutter	Special Profile	€ 44	lm

PRICE DIFFERENCE

				PILLAR GROUP	
Pillar	Standard			St. 150x150x3mm	
		to	St. 150x150x5mm	€ 520	pcs



- The front beam can not be produced in steel.
- Ground flanges are 380x380x15 mm.
- When pillar reduction is applied, half pillar must be installed at the back of each rail shaft, and steel back pillars and back beam should be 150x150 mm.
- In condition of adding an additional rail, a steel 150x150 mm back pillar should also be added.

STANDARD CONSTRUCTION

		WIDTH																										
		250	300	350	400	450	500	550	600	650	700	750	800	850	900	950	1000	1050	1100	1150	1200	1250	1300					
PROJECTION	400 cm																											
	500 cm																											
	600 cm																											
	700 cm																											
	800 cm																											
	900 cm																											
	1000 cm																											
	1100 cm																											
	1200 cm																											
	1250 cm																											
	1300 cm																											

Pillars & Back Beam

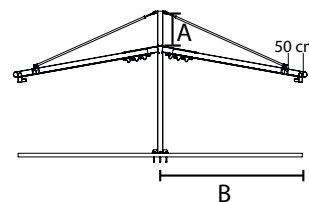
	150x150x3mm Steel
	150x150x5mm Steel

* In case of reducing middle pillars, distance between the pillars can be maximum 600 cm.

** Steel with a wall thickness of 5 mm must be used in all cases where the pillar is reduced.

Notes:

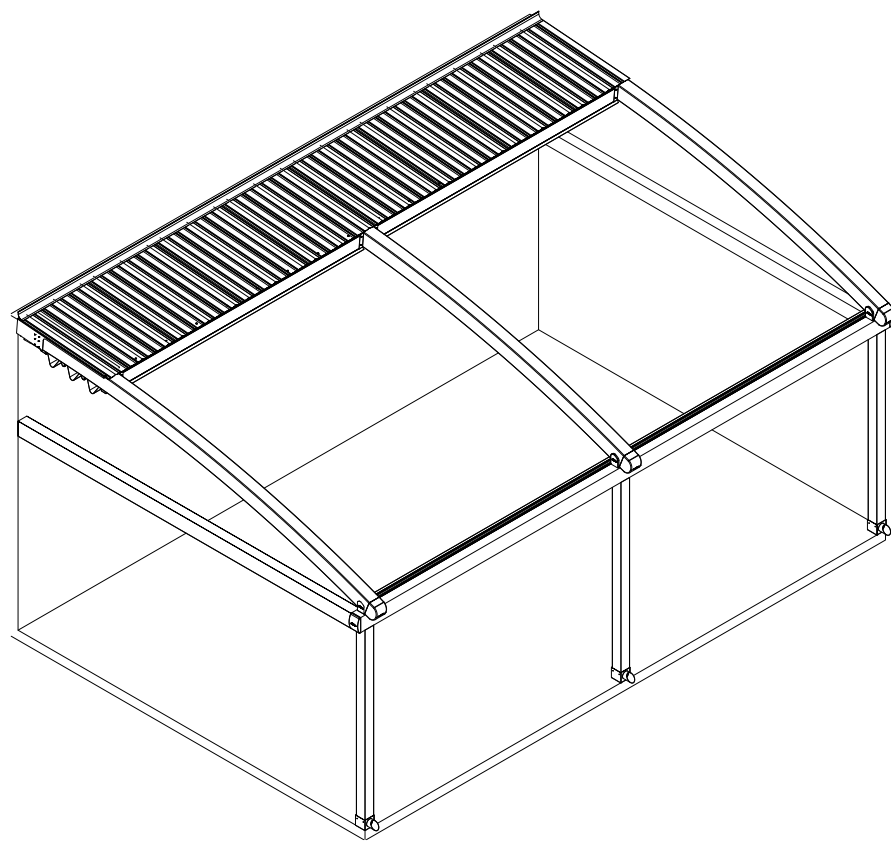
1. Fabric support profiles can be painted in the same color as the general construction. No fee is paid for this process. However, the plastic color should be specified from our standard plastic colours in Palmiye Color Chart.
2. For one product, a dry contact transmitter costing 358€, must be added.
3. Up to 5 products, a RS485 Automation interface dry contact transmitter costing 1094€, must be added.



MINIMUM "A" VALUES

B (cm)	250	350	350	400	450	500	550	600
A (cm)	50	50	50	60	70	80	90	100

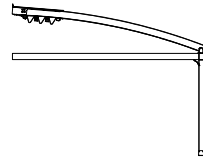
Upper values will be evaluated on a project basis.



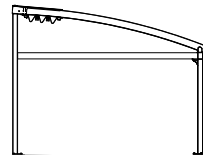
CORAL

PRODUCT FORMS

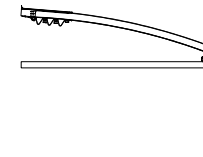
- **CORAL** Wall / Ceiling
-



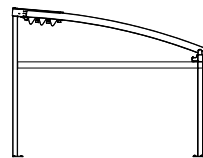
- **CORAL** Freestanding
-



- **CORAL Compact** Wall / Ceiling
-

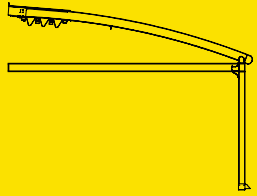


- **CORAL Compact** Freestanding
-



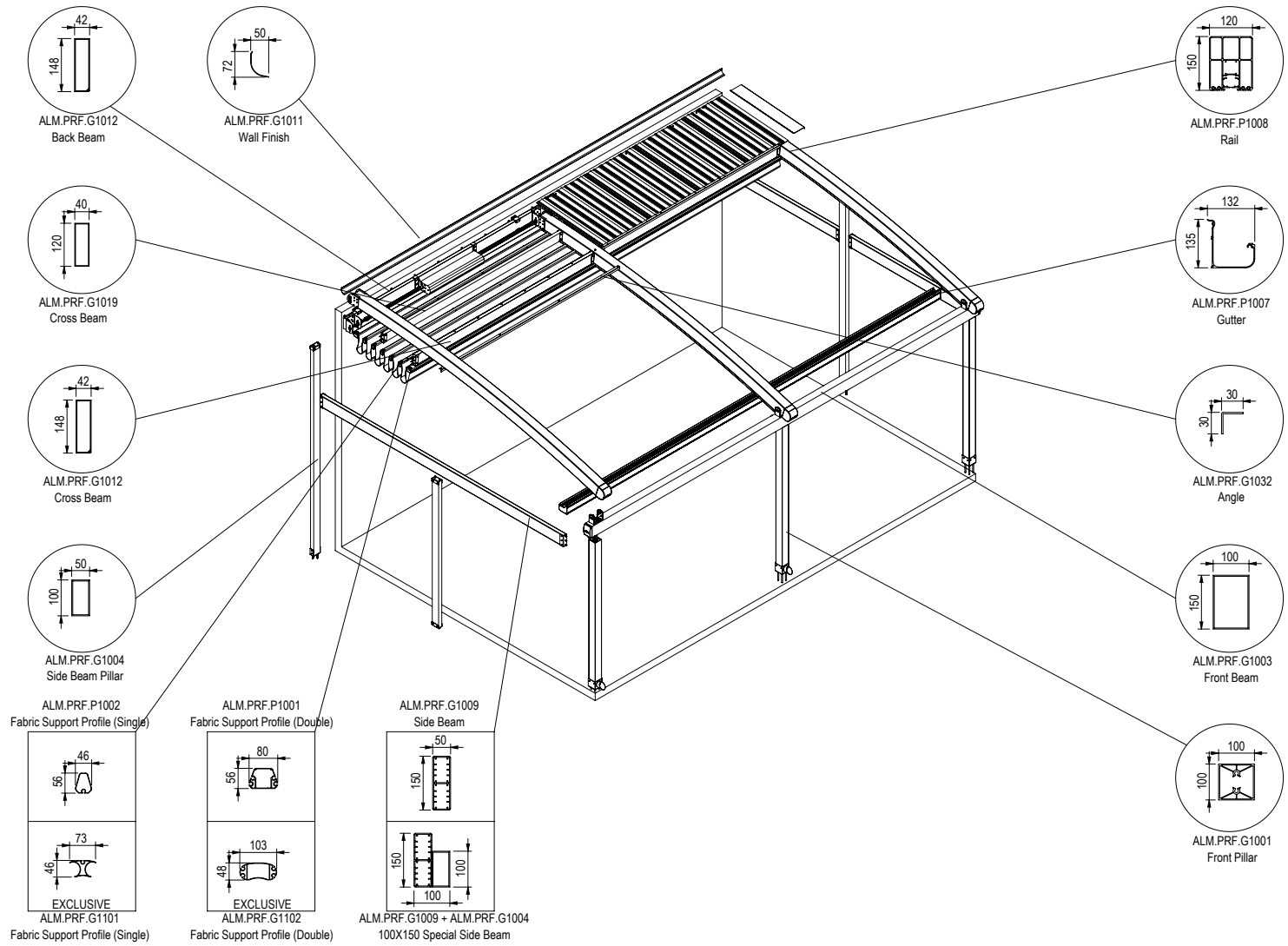
CORAL

Wall / Ceiling



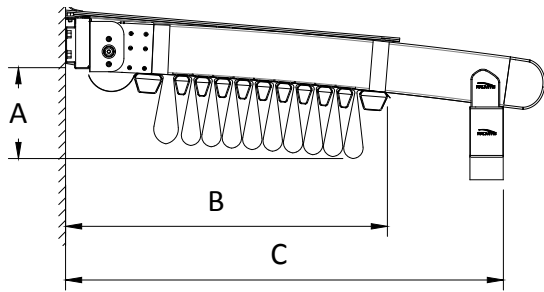
MAXIMUM DIMENSIONS

	WIDTH	PROJECTION
2 RAILS	400 cm	800 cm
3 RAILS	800 cm	800 cm
4 RAILS	1200 cm	800 cm
5 RAILS	1300 cm	700 cm



TECHNICAL FEATURES

COLLECTED FABRIC DIMENSIONS



Projection cm		C											
200	250	300	350	400	450	500	550	600	650	700	750	800	C
5													68
6													74
7		32											81
9			34										94
10				35									100
11					36								107
13						38							120
14							39						127
15								40					133
17									42				146
18										43			152
19											44		159
21												46	172

*Calculated according to a slope of 15%

DRAINAGE CALCULATION

Type	Max. m ²
Full	39 m ² /pc
Half	18 m ² /pc

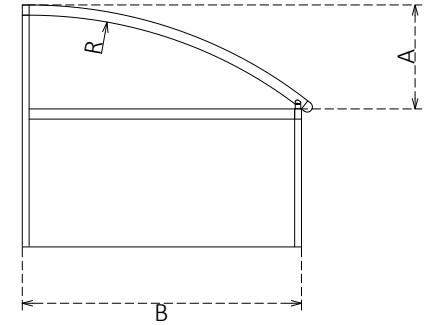
* per drainage

There should be at least one drainage, each 8 m length gutter.

RADIUS CHART

RADIUS	850	1500	2850
Projection	A		
250	63		
300	83		
350	107		
400	135	82	
450	168	98	
500		116	
550		137	
600		160	93
650		184	106
700			119
750			133
800			149

*The values are approx. ± 5 cm



WIND RESISTANCE

PROJECTION (cm)	WIDTH (cm)																	
	450	500	550	600	650	700	750	800	850	900	950	1000	1050	1100	1150	1200	1250	1300
400	11	11	11	11	11	11	11	11	11	11	11	11	11	11	11	11	11	11
450	11	11	11	11	11	11	11	11	11	11	11	11	11	11	11	11	11	11
500	11	11	11	11	11	11	11	11	11	11	11	11	11	11	11	11	11	11
550	11	11	11	11	11	11	11	11	11	11	11	11	11	11	11	11	11	11
600	11	11	11	11	11	11	10	10	11	11	11	11	11	11	10	10	11	11
650	11	11	11	11	10	10	10	9	11	11	10	10	10	10	10	9	10	10
700	11	10	10	10	10	10	9	9	10	10	10	10	10	10	9	9	10	10
750	10	10	10	9	9	9	9	8	10	9	9	9	9	9	9	8	9	
800	10	10	9	9	9	9	8	8	10	9	9	9	9	9	8	8		

All sides open

PROJECTION (cm)	WIDTH (cm)																	
	450	500	550	600	650	700	750	800	850	900	950	1000	1050	1100	1150	1200	1250	1300
400	11	11	11	11	11	10	10	10	11	11	11	11	10	10	10	10	11	11
450	11	11	10	10	10	10	10	10	11	10	10	10	10	10	10	10	10	10
500	10	10	10	10	10	10	10	10	10	10	10	10	10	10	10	10	10	10
550	10	10	9	9	9	9	9	9	10	9	9	9	9	9	9	9	9	9
600	10	9	9	9	9	9	9	9	9	9	9	9	9	9	9	9	9	9
650	9	9	9	9	9	9	8	8	9	9	9	9	9	9	8	8	9	9
700	9	9	9	9	8	8	8	8	9	9	8	8	8	8	8	8	8	8
750	8	8	8	8	8	8	8	8	8	8	8	8	8	8	8	8	8	8
800	8	8	8	8	8	8	7	7	8	8	8	8	8	8	7	7		

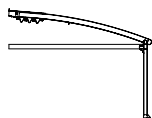
With side enclosure

*The values are given according to the Beaufort scale.

**Calculated for Products with a front height of 250 cm according to Eurocode EN 1991-1-4 Terrain Category 4.

*** You can ask for new calculations for special designs.

CORAL Wall / Ceiling



Projection	Width																				FS4	FS9	FS9-S	FS9-2		
	2 RAILS				3 RAILS								4 RAILS												5 RAILS	
	250 cm	300 cm	350 cm	400 cm	450 cm	500 cm	550 cm	600 cm	650 cm	700 cm	750 cm	800 cm	850 cm	900 cm	950 cm	1000 cm	1050 cm	1100 cm	1150 cm	1200 cm	1250 cm	1300 cm				
200 cm	€ 7.391	€ 7.756	€ 8.461	€ 8.832	€ 10.430	€ 10.796	€ 11.167	€ 11.532	€ 12.238	€ 12.608	€ 13.039	€ 13.405	€ 14.683	€ 15.039	€ 15.728	€ 16.085	€ 16.436	€ 16.790	€ 17.141	€ 17.495	€ 19.530	€ 20.084	€ 1.152	€ 236	€ 313	€ 185
250 cm	€ 7.787	€ 8.350	€ 8.883	€ 9.265	€ 11.030	€ 11.407	€ 11.979	€ 12.356	€ 12.888	€ 13.265	€ 13.710	€ 14.279	€ 15.721	€ 16.092	€ 16.603	€ 16.970	€ 17.528	€ 17.894	€ 18.259	€ 18.625	€ 20.826	€ 21.390	€ 1.272	€ 284	€ 391	€ 217
300 cm	€ 8.401	€ 9.030	€ 9.620	€ 10.056	€ 12.041	€ 12.478	€ 13.107	€ 13.543	€ 14.132	€ 14.568	€ 15.070	€ 15.699	€ 17.359	€ 17.781	€ 18.359	€ 18.781	€ 19.395	€ 19.815	€ 20.243	€ 20.668	€ 23.084	€ 23.710	€ 1.391	€ 333	€ 469	€ 248
350 cm	€ 9.001	€ 9.454	€ 10.052	€ 10.692	€ 12.848	€ 13.296	€ 13.747	€ 14.387	€ 14.990	€ 15.437	€ 15.956	€ 16.596	€ 18.426	€ 18.863	€ 19.635	€ 20.077	€ 20.514	€ 20.950	€ 21.573	€ 22.010	€ 24.599	€ 25.051	€ 1.511	€ 381	€ 548	€ 280
400 cm	€ 9.414	€ 9.876	€ 10.490	€ 11.139	€ 13.470	€ 13.932	€ 14.399	€ 15.048	€ 15.663	€ 16.125	€ 16.652	€ 17.301	€ 19.312	€ 19.759	€ 20.544	€ 20.997	€ 21.448	€ 21.895	€ 22.535	€ 22.981	€ 25.748	€ 26.210	€ 1.631	€ 430	€ 626	€ 311
450 cm	€ 9.838	€ 10.314	€ 10.938	€ 11.603	€ 14.107	€ 14.583	€ 15.059	€ 15.719	€ 16.348	€ 16.821	€ 17.365	€ 18.030	€ 20.206	€ 20.668	€ 21.470	€ 21.932	€ 22.393	€ 22.855	€ 23.506	€ 23.968	€ 26.906	€ 27.379	€ 1.750	€ 479	€ 704	€ 343
500 cm	€ 10.252	€ 10.739	€ 11.379	€ 12.054	€ 14.736	€ 15.223	€ 15.710	€ 16.385	€ 17.025	€ 17.512	€ 18.065	€ 18.739	€ 21.099	€ 21.572	€ 22.384	€ 22.861	€ 23.333	€ 23.804	€ 24.470	€ 24.946	€ 28.059	€ 28.546	€ 1.870	€ 527	€ 782	€ 374
550 cm	€ 10.890	€ 11.621	€ 12.321	€ 13.054	€ 15.956	€ 16.505	€ 17.241	€ 17.763	€ 18.672	€ 19.215	€ 19.828	€ 20.559	€ 23.142	€ 23.864	€ 24.544	€ 25.077	€ 25.802	€ 26.331	€ 27.051	€ 27.584	€ 30.924	€ 31.655	€ 1.990	€ 576	€ 860	€ 406
600 cm	€ 11.321	€ 12.067	€ 12.778	€ 13.523	€ 16.599	€ 17.157	€ 17.908	€ 18.466	€ 19.364	€ 19.924	€ 20.548	€ 21.293	€ 24.050	€ 24.781	€ 25.628	€ 26.024	€ 26.760	€ 27.304	€ 28.035	€ 28.582	€ 32.095	€ 32.840	€ 2.109	€ 625	€ 939	€ 438
650 cm	€ 11.738	€ 12.494	€ 13.221	€ 13.976	€ 17.235	€ 17.803	€ 18.565	€ 19.134	€ 20.046	€ 20.615	€ 21.255	€ 22.017	€ 24.944	€ 25.697	€ 26.402	€ 26.960	€ 27.706	€ 28.259	€ 29.011	€ 29.569	€ 33.258	€ 34.015	€ 2.229	€ 673	€ 1.017	€ 469
700 cm	€ 12.158	€ 12.928	€ 13.665	€ 14.437	€ 17.874	€ 18.452	€ 19.228	€ 19.812	€ 20.735	€ 21.313	€ 21.964	€ 22.735	€ 25.846	€ 26.608	€ 27.330	€ 27.897	€ 28.659	€ 29.222	€ 29.984	€ 30.557	€ 34.420	€ 35.191	€ 2.349	€ 722	€ 1.095	€ 501
750 cm	€ 12.583	€ 13.365	€ 14.116	€ 14.897	€ 18.510	€ 19.104	€ 19.886	€ 20.484	€ 21.419	€ 22.017	€ 22.677	€ 23.459	€ 26.748	€ 27.520	€ 28.251	€ 28.835	€ 29.606	€ 30.189	€ 30.960	€ 31.544	€ 35.589		€ 2.468	€ 1.046	€ 1.449	€ 808
800 cm	€ 13.008	€ 13.801	€ 14.567	€ 15.357	€ 19.146	€ 19.757	€ 20.544	€ 21.157	€ 22.103	€ 22.721	€ 23.390	€ 24.182	€ 27.650	€ 28.433	€ 29.173	€ 29.773	€ 30.553	€ 31.157	€ 31.937	€ 32.531			€ 2.588	€ 1.095	€ 1.528	€ 840
FS3	€ 234	€ 245	€ 267	€ 294	€ 318	€ 342	€ 367	€ 391	€ 415	€ 439	€ 565	€ 589	€ 613	€ 638	€ 664	€ 688	€ 712	€ 737	€ 761	€ 785	€ 810	€ 834				
FS5-A	€ 43	€ 54	€ 64	€ 73	€ 84	€ 93	€ 105	€ 114	€ 125	€ 135	€ 146	€ 155	€ 166	€ 176	€ 187	€ 196	€ 208	€ 217	€ 228	€ 237	€ 249	€ 258				
FS5-E	€ 59	€ 75	€ 88	€ 100	€ 116	€ 129	€ 144	€ 157	€ 173	€ 185	€ 201	€ 214	€ 229	€ 242	€ 257	€ 270	€ 286	€ 299	€ 314	€ 327	€ 342	€ 355				

Side beam pillar is included in the price

FS3	Gutter System
FS5-A	Additional Fabric Support Profile (Standard)
FS5-E	Additional Fabric Support Profile (3 Axis)
FS4	Additional Rail - Al.Plus- 120x150mm
FS8	Lighting System
FS9	Side Beam - Al.- 50x150mm
FS9-S	Side Beam - Al.- 100x150mm (Special)
FS9-2	Side Beam - Al.- 100x150mm

FS8	
FS8-S	SPOT
FS8-L	LINEAR
FS8-LR (RGB)	LINEAR (RGB)

LED TYPE & MODULE		
2 LED	3 LED	4 LED
€ 132	€ 160	€ 189
€ 189	€ 245	
€ 240	€ 311	

Notes:

- Any side beam is not included in the price.
- FS Flexy Plain/3D or Stam 6002 is included in the price.
- Motor and Remote control is included in the price.
- Palmiye Aluminium Coating Catalogue includes the standard colours with no extra cost. For any other type/brand/color of paint, price difference and additional delivery duration shall be checked from your customer representative.
- Standard fabric support profile plastic colours are specified in Palmiye Aluminium Coating Catalogue.
- If side beam used and projection is bigger than 700 cm, a side beam pillar also needs to be added up to the rail (FS15 or FS15-B). Price is included in FS9 side beam option price.

DEDUCTION

Price deduction is applicable only for pillars and beam. Deduction amount shall be considered as 70% of related option price.

OPTIONS

FS10	Extra pillar (100x100mm Al.)	€ 532	pcs
FS10-ST3	Extra pillar (100x100x3mm St.)	€ 510	pcs
FS10-ST5	Extra pillar (100x100x5mm St.)	€ 744	pcs
FS11	Deco ceiling cover	€ 70	m ²
FS15	Side beam pillar (50x100mm - Al)	€ 276	pcs
FS15-B	Side beam pillar (100x100mm - Al)	€ 532	pcs
FS19	Fix louver	€ 73	lm
FS23	External Square Downpipe	€ 326	pcs
FS24	W96 Ceiling Cover	€ 81	m ²
FS26	Exclusive fabric difference (up to 800cm width)	€ 48	m ²
FS29-1	Sun Sensor (SUNIS) (for single motor)	€ 604	pcs
FS29-1S	Sun Sensor (SUNIS) (for synchronized motor)	€ 962	pcs
FS29-2	Wind Sensor (EOLIS RTS) (for single motor)	€ 284	pcs
FS29-2S	Wind Sensor (EOLIS RTS) (for synchronized motor)	€ 639	pcs
FS29-3	Sun and Wind Sensor (SOLIRIS RTS) (for single motor)	€ 322	pcs
FS29-3S	Sun and Wind Sensor (SOLIRIS RTS) (for synchronized motor)	€ 676	pcs
FS29-4 ^{2/3}	Rain Sensor (ONDEIS) (for single motor)	€ 558	pcs
FS29-4S ^{2/3}	Rain Sensor (ONDEIS) (for synchronized motor)	€ 912	pcs
FS30	CONNEXOON	€ 510	pcs

Notes:

1. Fabric support profiles can be painted in the same color as the general construction. No fee is paid for this process. However, the plastic color should be specified from our standard plastic colours in Palmiye Color Chart.

2. For one product, a dry contact transmitter costing 358€, must be added.

3. Up to 5 products, a RS485 Automation interface dry contact transmitter costing 1094€, must be added.

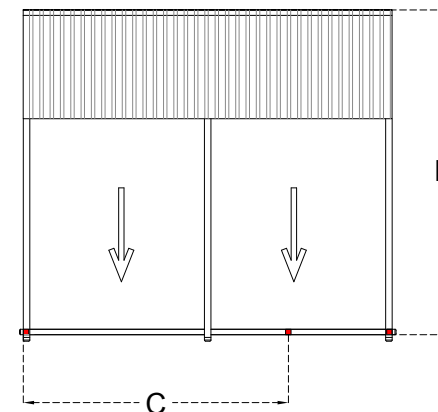
EXTENSIONS

Rail	Plus - 120x150mm	€ 328	lm
Beam	Al. 42x150mm	€ 102	lm
Beam	Al. 50x150mm	€ 180	lm
Beam	Al. 100x150mm	€ 151	lm
Beam	St. 100x150x3mm	€ 310	lm
Beam	St. 100x150x5mm	€ 377	lm
Beam	St. 100x200x3mm	€ 315	lm
Beam	St. 100x200x5mm	€ 449	lm
Fabric protection cover	Al. - 63x___cm	€ 59	m ²
Gutter	Special Profile	€ 44	lm
Pillar	Al. 100x100mm	€ 168	lm
Pillar	St. 100x100x3mm	€ 211	lm
Pillar	St. 100x100x5mm	€ 377	lm
Pillar	St. 150x150x3mm	€ 427	lm
Pillar	St. 150x150x5mm	€ 598	lm

*Max. Al. Front pillar (Al. 100x100mm) height is 280cm

*Max. St 3mm. Front pillar (St. 100x100x3mm) height is 380cm

*Max. St. 5mm Front pillar (St. 100x100x5mm) height is 480cm



PRICE DIFFERENCE

		BEAM GROUP	
		Standard	Al. 42x150mm
Back Beam	to		Al. 50x150mm € 78 lm
			St. 50x150x3mm € 101 lm
			St. 50x150x5mm € 187 lm
			Al. 100x150mm € 47 lm
			St. 100x150x3mm € 204 lm
			St. 100x150x5mm € 277 lm
			St. 100x200x3mm € 209 lm
		St. 100x200x5mm € 349 lm	
		Standard	Al. 100x150mm
Front Beam	to		St. 100x150x3mm € 155 lm
			St. 100x150x5mm € 231 lm
			St. 100x200x3mm € 160 lm
			St. 100x200x5mm € 302 lm

		PILLAR GROUP	
		Standard	Al. 100x100mm
Front Pillar	to		St. 100x100x3mm € 108 pcs
			St. 100x100x5mm € 443 pcs
			St. 150x150x3mm € 677 pcs
			St. 150x150x5mm € 1.197 pcs

FRONT PILLAR POSITION CHANGE

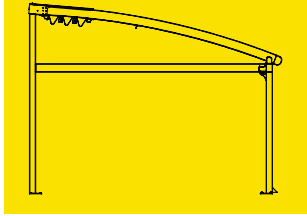
		C				
		500	550	600	650	700
B	400					
	500					
	600					
	700					
	800					

(Construction price difference needs to be added. The deflection doesn't evaluate on this chart.)

	FRONT PILLAR	: Al. 100x100x3mm
	FRONT BEAM	: Al. 100x150x3mm
	FRONT PILLAR	: St. 100x100x3mm
	FRONT BEAM	: St. 100x150x3mm
	FRONT PILLAR	: St. 100x100x5mm
	FRONT BEAM	: St. 100x150x5mm

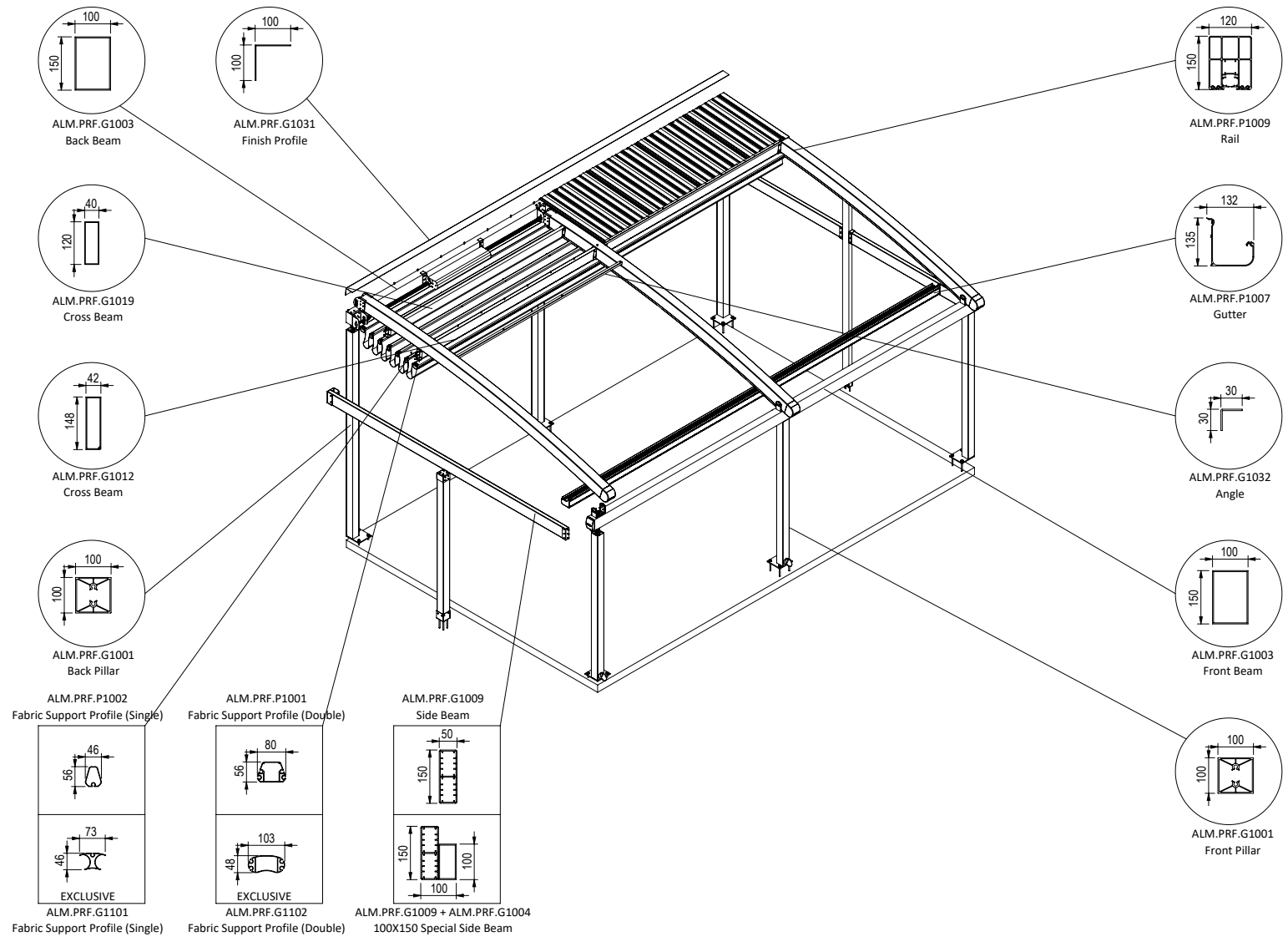
CORAL

Freestanding



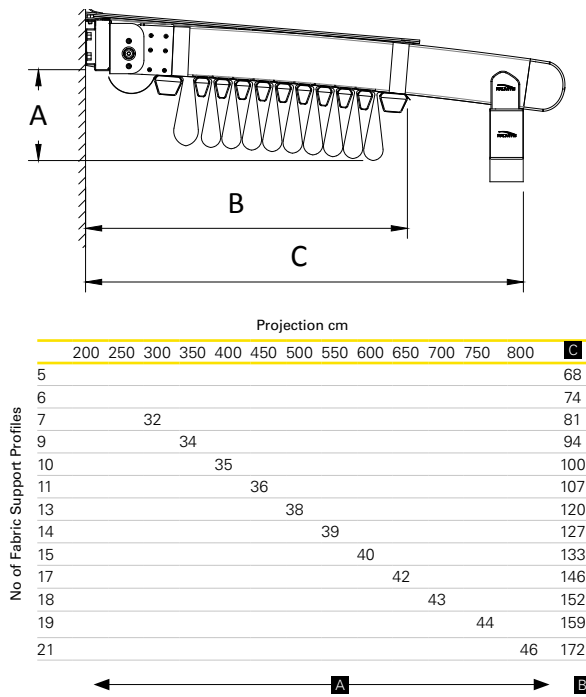
MAXIMUM DIMENSIONS

	WIDTH	PROJECTION
2 RAILS	400 cm	800 cm
3 RAILS	800 cm	800 cm
4 RAILS	1200 cm	800 cm
5 RAILS	1300 cm	700 cm



TECHNICAL FEATURES

COLLECTED FABRIC DIMENSIONS



*Calculated according to a slope of 15%

DRAINAGE CALCULATION

Type	Max. m ²
Full	39 m ² /pc
Half	18 m ² /pc

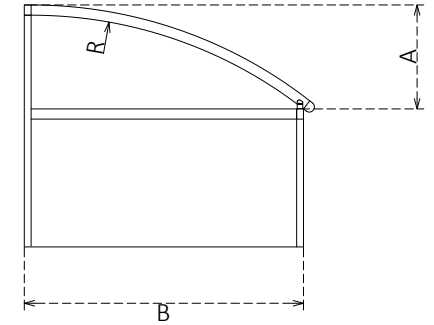
* per drainage

There should be at least one drainage, each 8 m length gutter.

RADIUS CHART

RADIUS	850	1500	2850
Projection	A		
250	63		
300	83		
350	107		
400	135	82	
450	168	98	
500		116	
550		137	
600		160	93
650		184	106
700			119
750			133
800			149

*The values are approx. ± 5 cm



WIND RESISTANCE

PROJECTION (cm)	WIDTH (cm)																	
	450	500	550	600	650	700	750	800	850	900	950	1000	1050	1100	1150	1200	1250	1300
400	11	11	11	11	10	10	9	9	11	11	10	10	10	10	9	9	10	10
450	11	11	11	11	10	9	9	8	11	11	10	10	9	9	9	8	10	10
500	11	11	11	10	9	8	8	8	11	10	9	9	8	8	8	8	9	9
550	11	10	10	10	9	8	8	7	10	10	9	9	8	8	8	7	9	9
600	10	10	10	9	8	7	7	7	10	9	8	8	7	7	7	7	8	8
650	9	9	9	8	8	7	7	7	9	8	8	8	7	7	7	7	8	8
700	9	9	8	8	7	7	7	7	9	8	7	7	7	7	7	7	7	7
750	8	8	7	7	7	7	7	7	8	7	7	7	7	7	7	7	7	7
800	8	7	7	7	7	7	7	7	7	7	7	7	7	7	7	7	7	7

All sides open

PROJECTION (cm)	WIDTH (cm)																	
	450	500	550	600	650	700	750	800	850	900	950	1000	1050	1100	1150	1200	1250	1300
400	11	10	10	10	9	8	8	8	10	10	9	9	8	8	8	8	9	9
450	10	10	10	10	9	8	8	8	10	10	9	9	8	8	8	8	9	9
500	10	10	9	9	8	8	8	8	10	9	8	8	8	8	8	8	8	8
550	9	9	9	9	7	7	7	7	9	9	7	7	7	7	7	7	7	7
600	9	8	8	8	7	7	7	7	8	8	7	7	7	7	7	7	7	7
650	8	8	7	7	7	7	7	7	8	7	7	7	7	7	7	7	7	7
700	7	7	7	7	7	7	7	7	7	7	7	7	7	7	7	7	7	7
750	7	7	7	7	7	7	7	7	7	7	7	7	7	7	7	7	7	7
800	7	7	7	7	7	7	7	7	7	7	7	7	7	7	7	7	7	7

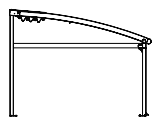
With side enclosure

*The values are given according to the Beaufort scale.

**Calculated for Products with a front height of 250 cm according to Eurocode EN 1991-1-4 Terrain Category 4.

*** You can ask for new calculations for special designs.

CORAL Freestanding



Width
Projection

Projection	2 RAILS				3 RAILS								4 RAILS								5 RAILS		FS4	FS9-SPD
	250 cm	300 cm	350 cm	400 cm	450 cm	500 cm	550 cm	600 cm	650 cm	700 cm	750 cm	800 cm	850 cm	900 cm	950 cm	1000 cm	1050 cm	1100 cm	1150 cm	1200 cm	1250 cm	1300 cm		
200 cm	€ 8.978	€ 9.365	€ 10.092	€ 10.485	€ 12.615	€ 13.002	€ 13.395	€ 13.782	€ 14.509	€ 14.902	€ 15.355	€ 15.742	€ 17.552	€ 17.930	€ 18.641	€ 19.019	€ 19.392	€ 19.769	€ 20.141	€ 20.518	€ 23.084	€ 23.660	€ 1.152	€ 77
250 cm	€ 9.468	€ 10.054	€ 10.609	€ 11.012	€ 13.309	€ 13.707	€ 14.302	€ 14.700	€ 15.255	€ 15.653	€ 16.120	€ 16.711	€ 18.685	€ 19.077	€ 19.610	€ 19.999	€ 20.579	€ 20.967	€ 21.354	€ 21.741	€ 24.475	€ 25.060	€ 1.272	€ 107
300 cm	€ 10.177	€ 10.828	€ 11.439	€ 11.898	€ 14.415	€ 14.873	€ 15.524	€ 15.982	€ 16.593	€ 17.051	€ 17.575	€ 18.226	€ 20.417	€ 20.861	€ 21.461	€ 21.905	€ 22.541	€ 22.983	€ 23.432	€ 23.880	€ 26.827	€ 27.475	€ 1.391	€ 136
350 cm	€ 10.872	€ 11.347	€ 11.967	€ 12.629	€ 15.316	€ 15.786	€ 16.258	€ 16.920	€ 17.546	€ 18.015	€ 18.555	€ 19.217	€ 21.579	€ 22.037	€ 22.832	€ 23.296	€ 23.754	€ 24.212	€ 24.858	€ 25.316	€ 28.436	€ 28.911	€ 1.511	€ 166
400 cm	€ 11.379	€ 11.863	€ 12.499	€ 13.170	€ 16.033	€ 16.516	€ 17.006	€ 17.676	€ 18.313	€ 18.797	€ 19.346	€ 20.017	€ 22.559	€ 23.028	€ 23.836	€ 24.310	€ 24.783	€ 25.252	€ 25.914	€ 26.381	€ 29.680	€ 30.164	€ 1.631	€ 196
450 cm	€ 11.897	€ 12.396	€ 13.041	€ 13.728	€ 16.764	€ 17.262	€ 17.760	€ 18.442	€ 19.093	€ 19.587	€ 20.153	€ 20.840	€ 23.548	€ 24.032	€ 24.855	€ 25.339	€ 25.823	€ 26.307	€ 26.979	€ 27.463	€ 30.933	€ 31.427	€ 1.750	€ 225
500 cm	€ 12.406	€ 12.916	€ 13.577	€ 14.274	€ 17.487	€ 17.996	€ 18.505	€ 19.202	€ 19.864	€ 20.373	€ 20.947	€ 21.644	€ 24.535	€ 25.030	€ 25.865	€ 26.363	€ 26.857	€ 27.350	€ 28.037	€ 28.536	€ 32.180	€ 32.689	€ 1.870	€ 255
550 cm	€ 13.139	€ 13.892	€ 14.614	€ 15.368	€ 18.802	€ 19.373	€ 20.131	€ 20.675	€ 21.605	€ 22.171	€ 22.806	€ 23.558	€ 26.673	€ 27.417	€ 28.119	€ 28.674	€ 29.421	€ 29.972	€ 30.714	€ 31.268	€ 35.140	€ 35.892	€ 1.990	€ 284
600 cm	€ 14.272	€ 15.039	€ 15.772	€ 16.539	€ 20.147	€ 20.727	€ 21.500	€ 22.080	€ 23.000	€ 23.582	€ 24.227	€ 24.995	€ 28.282	€ 29.035	€ 29.904	€ 30.323	€ 31.081	€ 31.646	€ 32.399	€ 32.968	€ 37.012	€ 37.780	€ 2.109	€ 314
650 cm	€ 14.830	€ 15.608	€ 16.357	€ 17.134	€ 20.925	€ 21.514	€ 22.298	€ 22.889	€ 23.824	€ 24.414	€ 25.076	€ 25.860	€ 29.319	€ 30.093	€ 30.821	€ 31.401	€ 32.168	€ 32.743	€ 33.517	€ 34.097	€ 38.318	€ 39.096	€ 2.229	€ 344
700 cm	€ 15.392	€ 16.185	€ 16.943	€ 17.737	€ 21.705	€ 22.305	€ 23.103	€ 23.709	€ 25.346	€ 25.988	€ 26.702	€ 27.537	€ 31.989	€ 32.845	€ 32.832	€ 33.463	€ 34.288	€ 34.915	€ 35.741	€ 36.377	€ 40.814	€ 44.023	€ 2.349	€ 373
750 cm	€ 16.488	€ 17.292	€ 18.065	€ 18.868	€ 23.012	€ 23.629	€ 24.433	€ 25.703	€ 26.701	€ 27.362	€ 28.086	€ 28.931	€ 34.421	€ 35.329	€ 34.425	€ 35.072	€ 35.906	€ 36.554	€ 37.388	€ 38.035	€ 42.654		€ 2.468	€ 659
800 cm	€ 17.055	€ 17.870	€ 18.657	€ 19.470	€ 23.791	€ 24.423	€ 25.841	€ 26.517	€ 28.764	€ 29.518	€ 30.323	€ 31.251	€ 35.464	€ 36.384	€ 37.259	€ 37.994	€ 38.910	€ 39.649	€ 40.564	€ 41.294			€ 2.598	€ 689
FS3	€ 234	€ 245	€ 267	€ 294	€ 318	€ 342	€ 367	€ 391	€ 415	€ 439	€ 565	€ 589	€ 613	€ 638	€ 664	€ 688	€ 712	€ 737	€ 761	€ 785	€ 810	€ 834		
FS5-A	€ 43	€ 54	€ 64	€ 73	€ 84	€ 93	€ 105	€ 114	€ 125	€ 135	€ 146	€ 155	€ 166	€ 176	€ 187	€ 196	€ 208	€ 217	€ 228	€ 237	€ 249	€ 258		
FS5-E	€ 59	€ 75	€ 88	€ 100	€ 116	€ 129	€ 144	€ 157	€ 173	€ 185	€ 201	€ 214	€ 229	€ 242	€ 257	€ 270	€ 286	€ 299	€ 314	€ 327	€ 342	€ 355		

Side beam pillar is included in the price

FS3	Gutter System
FS5-A	Additional Fabric Support Profile (Standard)
FS5-E	Additional Fabric Support Profile (3 Axis)
FS4	Additional Rail - Al.Plus- 120x150mm
FS8	Lighting System
FS9-SPD	Price difference between Al. 50x150mm to Al. 100x150mm Special side beam and Al. 50x100mm to Al. 100x100mm side beam pillar

FS8	
FS8-S	SPOT
FS8-L	LINEAR
FS8-LR (RGB)	LINEAR (RGB)

LED TYPE & MODULE		
2 LED	3 LED	4 LED
€ 132	€ 160	€ 189
€ 189	€ 245	
€ 240	€ 311	

Notes:

- FS9- Side Beam (Al. 50x150mm) is included in the price for right and left side. For other option which is FS9-S (Al. 100x150mm) Special Side Beam is extra cost. The difference of the cost applies with FS9-SPD option code and for only one side of the pergola. If 100x150 mm aluminum box profile is preferred as side beam, there will be no price difference, but this should be stated in the technical drawing.
- If the projection is bigger than 700cm, a side beam pillar needs to be added up to rail (FS15 or FS15-B), FS15 Side Beam Pillar (Al. 50x100mm) included in the product price. FS15-B Side beam (Al. 100x100mm) included in FS9-SPD option.
- FS Flexy Plain/3D or Stam 6002 is included in the price.
- Motor and Remote control is included in the price.
- Palmiye Aluminium Coating Catalogue includes the standard colours with no extra cost. For any other type/brand/color of paint, price difference and additional delivery duration shall be checked from your customer representative.
- Standard fabric support profile plastic colours are specified in Palmiye Aluminium Coating Catalogue.
- In pergolas including steel front pillars, if gutter option is preferred, external water drainage points will be specified according to the Project and will be priced additionally.

DEDUCTIONS

Price deduction is applicable only for pillars and beam. Deduction amount shall be consider as 70% of related option price.

OPTIONS

FS10	Extra pillar (100x100mm Al.)	€ 532	pcs
FS10-ST3	Extra pillar (100x100x3mm St.)	€ 510	pcs
FS10-ST5	Extra pillar (100x100x5mm St.)	€ 744	pcs
FS11	Deco ceiling cover	€ 70	m ²
FS15	Side beam pillar (50x100mm - Al)	€ 276	pcs
FS15-B	Side beam pillar (100x100mm - Al)	€ 532	pcs
FS19	Fix louver	€ 73	lm
FS23	External Square Downpipe	€ 326	pcs
FS24	W96 Ceiling Cover	€ 81	m ²
FS26	Exclusive fabric difference (up to 800cm width)	€ 48	m ²
FS29-1	Sun Sensor (SUNIS) (for single motor)	€ 604	pcs
FS29-1S	Sun Sensor (SUNIS) (for synchronized motor)	€ 962	pcs
FS29-2	Wind Sensor (EOLIS RTS) (for single motor)	€ 284	pcs
FS29-2S	Wind Sensor (EOLIS RTS) (for synchronized motor)	€ 639	pcs
FS29-3	Sun and Wind Sensor (SOLIRIS RTS) (for single motor)	€ 322	pcs
FS29-3S	Sun and Wind Sensor (SOLIRIS RTS) (for synchronized motor)	€ 676	pcs
FS29-4 ^{2/3}	Rain Sensor (ONDEIS) (for single motor)	€ 558	pcs
FS29-4S ^{2/3}	Rain Sensor (ONDEIS) (for synchronized motor)	€ 912	pcs
FS30	CONNEXOON	€ 510	pcs

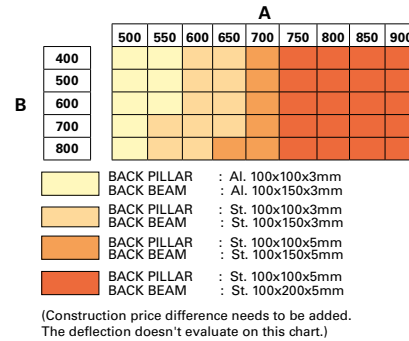
Notes:

1. Fabric support profiles can be painted in the same color as the general construction. No fee is paid for this process. However, the plastic color should be specified from our standard plastic colours in Palmiye Color Chart.

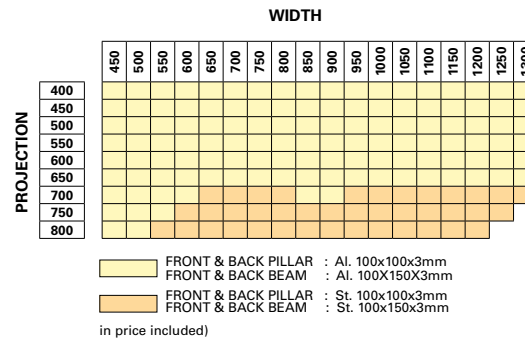
2. For one product, a dry contact transmitter costing 358€, must be added.

3. Up to 5 products, a RS485 Automation interface dry contact transmitter costing 1094€, must be added.

BACK PILLAR POSITION CHANGE



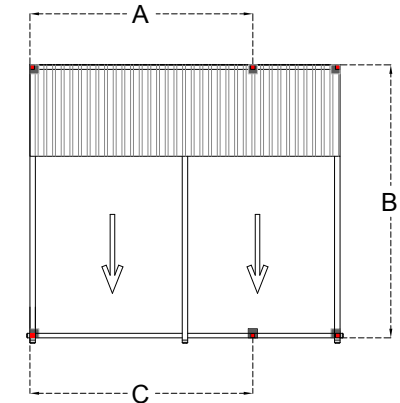
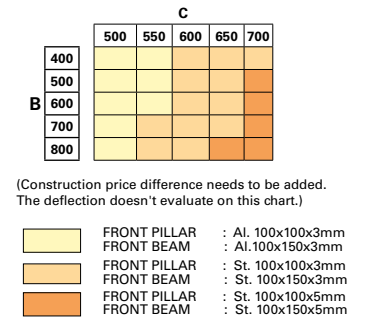
STANDARD CONSTRUCTION



EXTENSIONS

Rail	Plus - 120x150mm	€ 328	lm
Beam	Al. 100x150mm	€ 151	lm
Beam	St. 100x150x3mm	€ 310	lm
Beam	St. 100x150x5mm	€ 377	lm
Beam	St. 100x200x3mm	€ 315	lm
Beam	St. 100x200x5mm	€ 449	lm
Fabric protection cover	Al. - 63x__cm	€ 59	m ²
Gutter	Special Profile	€ 44	lm
Pillar	Al. 100x100mm	€ 168	lm
Pillar	St. 100x100x3mm	€ 211	lm
Pillar	St. 100x100x5mm	€ 377	lm
Pillar	St. 150x150x3mm	€ 427	lm
Pillar	St. 150x150x5mm	€ 598	lm

FRONT PILLAR POSITION CHANGE



PRICE DIFFERENCE

		BEAM GROUP	
		Standard	Al. 100x150mm
Beam	to	St. 100x150x3mm	€ 155 lm
		St. 100x150x5mm	€ 231 lm
		St. 100x200x3mm	€ 160 lm
		St. 100x200x5mm	€ 302 lm
		PILLAR GROUP	
		Standard	Al. 100x100mm
Pillar	to	St. 100x100x3mm	€ 108 pcs
		St. 100x100x5mm	€ 443 pcs
		St. 150x150x3mm	€ 677 pcs
		St. 150x150x5mm	€ 1.197 pcs

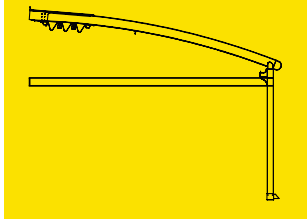
*Max. Al. Front pillar (Al. 100x100mm) height is 280cm

*Max. St 3mm. Front pillar (St. 100x100x3mm) height is 380cm

*Max. St. 5mm Front pillar (St. 100x100x5mm) height is 480cm

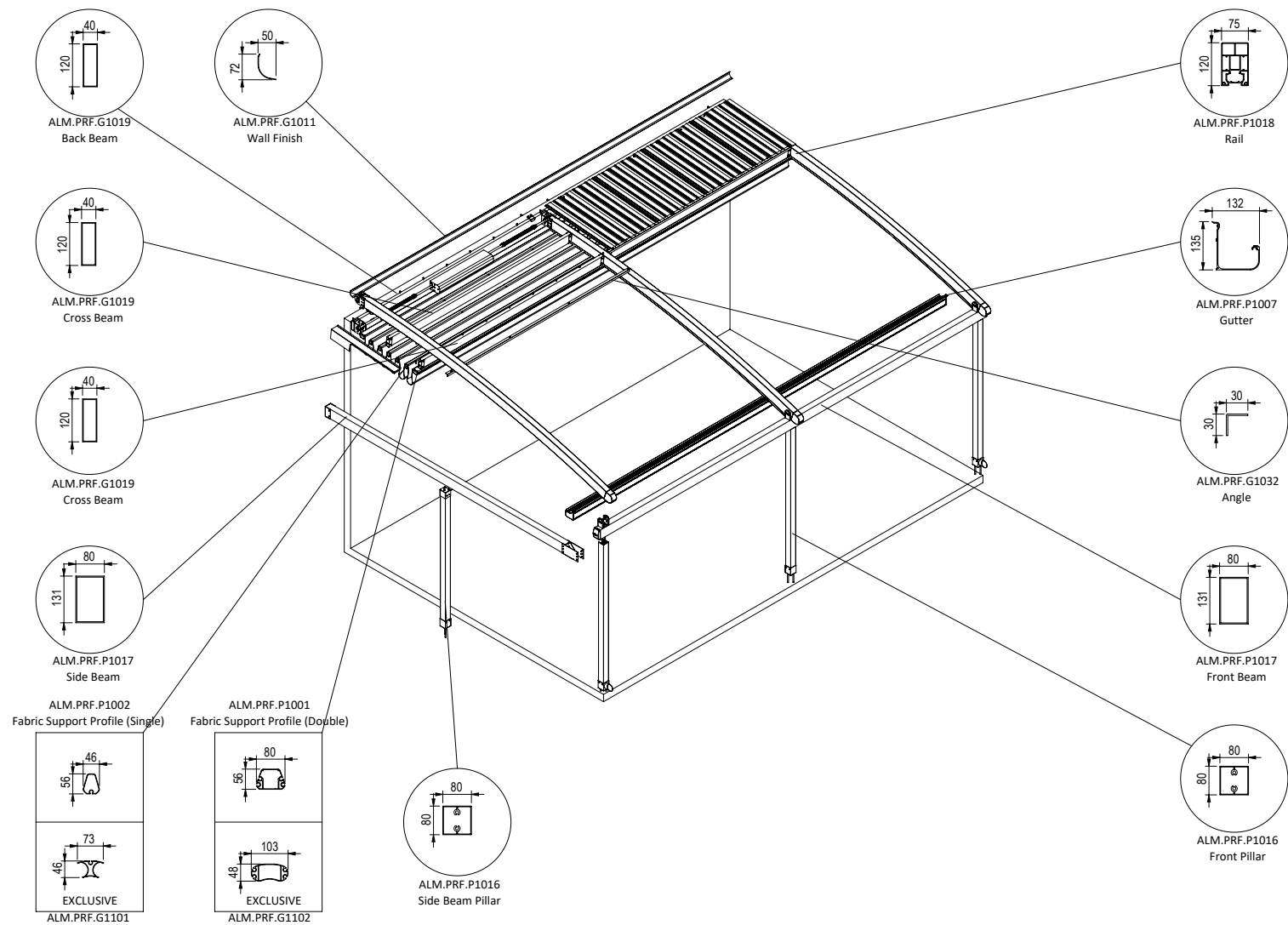
CORAL

Compact Wall / Ceiling



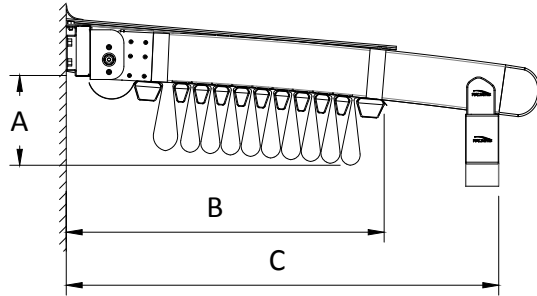
MAXIMUM DIMENSIONS

	WIDTH	PROJECTION
2 RAILS	400 cm	600 cm
3 RAILS	800 cm	600 cm
4 RAILS	1200 cm	600 cm
5 RAILS	1300 cm	600 cm



TECHNICAL FEATURES

COLLECTED FABRIC DIMENSIONS



DRAINAGE CALCULATION

Type	Max. m ²
Compact	30 m ² /pc

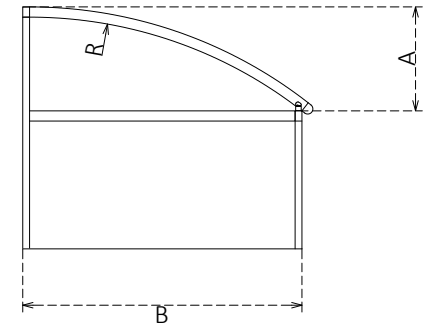
* per drainage

There should be at least one drainage, each 8 m length gutter.

RADIUS CHART

RADIUS	850	1500	2850
Projection	A		
250	63		
300	83		
350	107		
400	135	82	
450	168	98	
500		116	
550		137	
600		160	93

*The values are approx. ± 5 cm



		Projection cm										
		200	250	300	350	400	450	500	550	600		C
No of Fabric Support Profiles	5	30										68
	6		31									74
	7			32								81
	9				34							94
	10					35						100
	11						36					107
	13							38				120
	14								39			126
	15									40		133

*Calculated according to a slope of 15%

WIND RESISTANCE

		WIDTH (cm)																	
		450	500	550	600	650	700	750	800	850	900	950	1000	1050	1100	1150	1200	1250	1300
PROJECTION (cm)	400	11	11	11	11	11	11	11	11	11	11	11	11	11	11	11	11	11	11
	450	11	11	11	11	11	11	10	10	11	11	11	11	11	11	10	10	11	11
	500	11	11	10	10	10	10	10	9	11	10	10	10	10	10	10	9	10	10
	550	10	10	10	10	10	9	9	9	10	10	10	10	9	9	9	9	10	10
	600	10	10	10	9	9	9	8	8	10	9	9	9	9	9	8	8	9	9

All sides open

		WIDTH (cm)																	
		450	500	550	600	650	700	750	800	850	900	950	1000	1050	1100	1150	1200	1250	1300
PROJECTION (cm)	400	11	10	10	10	10	10	10	10	10	10	10	10	10	10	10	10	10	10
	450	10	10	10	10	10	10	9	9	10	10	10	10	10	10	9	9	10	10
	500	10	9	9	9	9	9	9	8	9	9	9	9	9	9	8	8	9	9
	550	9	9	9	9	9	8	8	8	9	9	9	9	8	8	8	8	8	9
	600	9	9	9	8	8	8	8	7	9	8	8	8	8	8	8	7	8	8

With side enclosure

*The values are given according to the Beaufort scale.

**Calculated for Products with a front height of 250 cm according to Eurocode EN 1991-1-4 Terrain Category 4.

*** You can ask for new calculations for special designs.

CORAL Compact Wall / Ceiling



Width
Projection

	2 RAILS				3 RAILS								4 RAILS								5 RAILS		FS4 FS10-C	FS9-C
	250 cm	300 cm	350 cm	400 cm	450 cm	500 cm	550 cm	600 cm	650 cm	700 cm	750 cm	800 cm	850 cm	900 cm	950 cm	1000 cm	1050 cm	1100 cm	1150 cm	1200 cm	1250 cm	1300 cm		
200 cm	€ 5.989	€ 6.282	€ 6.852	€ 7.151	€ 8.441	€ 8.734	€ 9.030	€ 9.323	€ 9.890	€ 10.187	€ 10.532	€ 10.825	€ 11.852	€ 12.138	€ 12.688	€ 12.972	€ 13.252	€ 13.532	€ 13.812	€ 14.092	€ 15.726	€ 16.168	€ 1.336	€ 194
250 cm	€ 6.303	€ 6.758	€ 7.187	€ 7.492	€ 8.918	€ 9.220	€ 9.680	€ 9.979	€ 10.407	€ 10.707	€ 11.063	€ 11.519	€ 12.678	€ 12.974	€ 13.381	€ 13.672	€ 14.117	€ 14.408	€ 14.697	€ 14.987	€ 16.754	€ 17.201	€ 1.435	€ 234
300 cm	€ 6.794	€ 7.300	€ 7.774	€ 8.123	€ 9.725	€ 10.074	€ 10.579	€ 10.929	€ 11.399	€ 11.748	€ 12.148	€ 12.652	€ 13.985	€ 14.321	€ 14.781	€ 15.117	€ 15.606	€ 15.939	€ 16.277	€ 16.616	€ 18.552	€ 19.048	€ 1.534	€ 275
350 cm	€ 7.272	€ 7.636	€ 8.116	€ 8.630	€ 10.367	€ 10.725	€ 11.085	€ 11.598	€ 12.079	€ 12.436	€ 12.850	€ 13.361	€ 14.830	€ 15.177	€ 15.794	€ 16.145	€ 16.490	€ 16.836	€ 17.332	€ 17.675	€ 19.750	€ 20.106	€ 1.633	€ 314
400 cm	€ 7.598	€ 7.969	€ 8.461	€ 8.981	€ 10.858	€ 11.227	€ 11.599	€ 12.118	€ 12.610	€ 12.978	€ 13.398	€ 13.916	€ 15.528	€ 15.883	€ 16.508	€ 16.866	€ 17.225	€ 17.577	€ 18.086	€ 18.437	€ 20.652	€ 21.015	€ 1.731	€ 355
450 cm	€ 7.932	€ 8.312	€ 8.812	€ 9.347	€ 11.359	€ 11.739	€ 12.119	€ 12.647	€ 13.148	€ 13.525	€ 13.957	€ 14.487	€ 16.230	€ 16.597	€ 17.235	€ 17.601	€ 17.965	€ 18.330	€ 18.846	€ 19.210	€ 21.559	€ 21.930	€ 1.830	€ 395
500 cm	€ 8.258	€ 8.647	€ 9.160	€ 9.700	€ 11.854	€ 12.243	€ 12.630	€ 13.168	€ 13.679	€ 14.065	€ 14.505	€ 15.041	€ 16.930	€ 17.305	€ 17.952	€ 18.328	€ 18.701	€ 19.072	€ 19.599	€ 19.974	€ 22.459	€ 22.842	€ 1.929	€ 436
550 cm	€ 8.763	€ 9.349	€ 9.909	€ 10.494	€ 12.823	€ 13.259	€ 13.847	€ 14.261	€ 14.987	€ 15.419	€ 15.905	€ 16.486	€ 18.552	€ 19.124	€ 19.664	€ 20.084	€ 20.659	€ 21.075	€ 21.644	€ 22.064	€ 24.728	€ 25.304	€ 2.028	€ 475
600 cm	€ 9.101	€ 9.696	€ 10.265	€ 10.859	€ 13.327	€ 13.770	€ 14.368	€ 14.812	€ 15.528	€ 15.972	€ 16.466	€ 17.057	€ 19.261	€ 19.839	€ 20.512	€ 20.823	€ 21.404	€ 21.832	€ 22.410	€ 22.841	€ 25.639	€ 26.226	€ 2.127	€ 516
FS3	€ 234	€ 245	€ 267	€ 294	€ 318	€ 342	€ 367	€ 391	€ 415	€ 439	€ 565	€ 589	€ 613	€ 638	€ 664	€ 688	€ 712	€ 737	€ 761	€ 785	€ 810	€ 834		
FS5-A	€ 43	€ 54	€ 64	€ 73	€ 84	€ 93	€ 105	€ 114	€ 125	€ 135	€ 146	€ 155	€ 166	€ 176	€ 187	€ 196	€ 208	€ 217	€ 228	€ 237	€ 249	€ 258		
FS5-E	€ 59	€ 75	€ 88	€ 100	€ 116	€ 129	€ 144	€ 157	€ 173	€ 185	€ 201	€ 214	€ 229	€ 242	€ 257	€ 270	€ 286	€ 299	€ 314	€ 327	€ 342	€ 355		

FS3	Gutter System
FS5-A	Additional Fabric Support Profile (Standard)
FS5-E	Additional Fabric Support Profile (3 Axis)
FS4 FS10-C	Additional Rail for Compact Series- Al.- 75x120mm Additional Pillar for Compact Series- Al.- 80x80mm
FS8	Lighting System
FS9-C	Side Beam for Compact Series- Al.- 80x130mm

FS8	
FS8-S	SPOT
FS8-L	LINEAR
FS8-LR (RGB)	LINEAR (RGB)

LEDTYPE & MODULE		
2 LED	3 LED	4 LED
€ 132	€ 160	€ 189
€ 189	€ 245	
€ 240	€ 311	

Notes:

- Any side beam is not included in the price.
- FS Flexy Plain/3D or Stam 6002 is included in the price.
- Motor and Remote control is included in the price.
- Palmiye Aluminium Coating Catalogue includes the standard colours with no extra cost. For any other type/brand/color of paint, price difference and additional delivery duration shall be checked from your customer representative.
- Standard fabric support profile plastic colours are specified in Palmiye Aluminium Coating Catalogue.
- If you use an additional rail you have to add a front pillar. It's included in the price. (FS4+FS10-C)

DEDUCTIONS

Price deduction is applicable only for pillars and beam. Deduction amount shall be consider as 70% of related option price.

OPTIONS

FS10-C	Extra pillar (80x80mm Al.)	€ 392	pcs
FS10	Extra pillar (100x100mm Al.)	€ 532	pcs
FS10-ST3	Extra pillar (100x100x3mm St.)	€ 510	pcs
FS10-ST5	Extra pillar (100x100x5mm St.)	€ 744	pcs
FS11	Deco ceiling cover	€ 70	m ²
FS15-C	Side beam pillar (80x80mm - Al)	€ 392	pcs
FS19	Fix louver	€ 73	lm
FS23	External Square Downpipe	€ 326	pcs
FS24	W96 Ceiling Cover	€ 81	m ²
FS26	Exclusive fabric difference (up to 800cm width)	€ 48	m ²
FS29-1	Sun Sensor (SUNIS) (for single motor)	€ 604	pcs
FS29-1S	Sun Sensor (SUNIS) (for synchronized motor)	€ 962	pcs
FS29-2	Wind Sensor (EOLIS RTS) (for single motor)	€ 284	pcs
FS29-2S	Wind Sensor (EOLIS RTS) (for synchronized motor)	€ 639	pcs
FS29-3	Sun and Wind Sensor (SOLIRIS RTS) (for single motor)	€ 322	pcs
FS29-3S	Sun and Wind Sensor (SOLIRIS RTS) (for synchronized motor)	€ 676	pcs
FS29-4 ^{2/3}	Rain Sensor (ONDEIS) (for single motor)	€ 558	pcs
FS29-4S ^{2/3}	Rain Sensor (ONDEIS) (for synchronized motor)	€ 912	pcs
FS30	CONNEXOON	€ 510	pcs

Notes:

1. Fabric support profiles can be painted in the same color as the general construction. No fee is paid for this process. However, the plastic color should be specified from our standard plastic colours in Palmiye Color Chart.
2. For one product, a dry contact transmitter costing 358€, must be added.
3. Up to 5 products, a RS485 Automation interface dry contact transmitter costing 1094€, must be added.

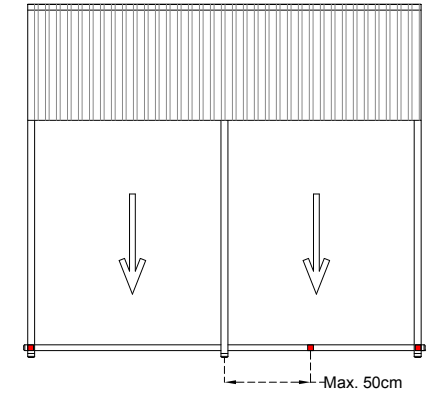
EXTENSIONS

Rail	Compact - 75x120mm	€ 200	lm
Beam	Al. 40x120mm	€ 63	lm
Beam	Al. 42x150mm	€ 102	lm
Beam	Al. 50x150mm	€ 180	lm
Beam	Al. 80x130mm	€ 96	lm
Beam	Al. 100x150mm	€ 151	lm
Beam	St. 100x150x3mm	€ 310	lm
Beam	St. 100x150x5mm	€ 377	lm
Beam	St. 100x200x3mm	€ 315	lm
Beam	St. 100x200x5mm	€ 449	lm
Fabric protection cover	Al. - 63x___cm	€ 59	m ²
Gutter	Special Profile	€ 44	lm
Pillar	Al. 80x80mm	€ 85	lm
Pillar	Al. 100x100mm	€ 168	lm
Pillar	St. 100x100x3mm	€ 211	lm
Pillar	St. 100x100x5mm	€ 377	lm
Pillar	St. 150x150x3mm	€ 427	lm
Pillar	St. 150x150x5mm	€ 598	lm

*Max. Al. Front pillar (Al. 80x80mm) height is 280cm

*Max. St 3mm. Front pillar (St. 100x100x3mm) height is 380cm

*Max. St. 5mm Front pillar (St. 100x100x5mm) height is 480cm



Middle front pillars can only be moved max. 50 cm towards right or left side.

PRICE DIFFERENCE

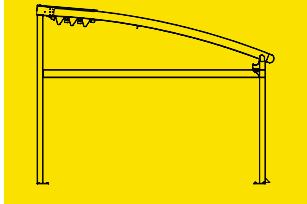
		BEAM GROUP		
		Standard	Al. 40x120mm	
Back Beam	to		Al. 42x150mm	€ 39 lm
			Al. 50x150mm	€ 119 lm
			Al. 80x130mm	€ 30 lm
			St. 50x150x3mm	€ 151 lm
			St. 50x150x5mm	€ 237 lm
			Al. 100x150mm	€ 87 lm
			St. 100x150x3mm	€ 255 lm
			St. 100x150x5mm	€ 327 lm
			St. 100x200x3mm	€ 258 lm
			St. 100x200x5mm	€ 399 lm

		Standard	Al. 80x130mm	
Front Beam	to		Al. 100x150mm	€ 55 lm
			St. 100x150x3mm	€ 227 lm
			St. 100x150x5mm	€ 304 lm
			St. 100x200x3mm	€ 232 lm
			St. 100x200x5mm	€ 374 lm

		PILLAR GROUP		
		Standard	Al. 80x80mm	
Front Pillar	to		Al. 100x100mm	€ 138 pcs
			St. 100x100x3mm	€ 288 pcs
			St. 100x100x5mm	€ 623 pcs
			St. 150x150x3mm	€ 856 pcs
			St. 150x150x5mm	€ 1.376 pcs

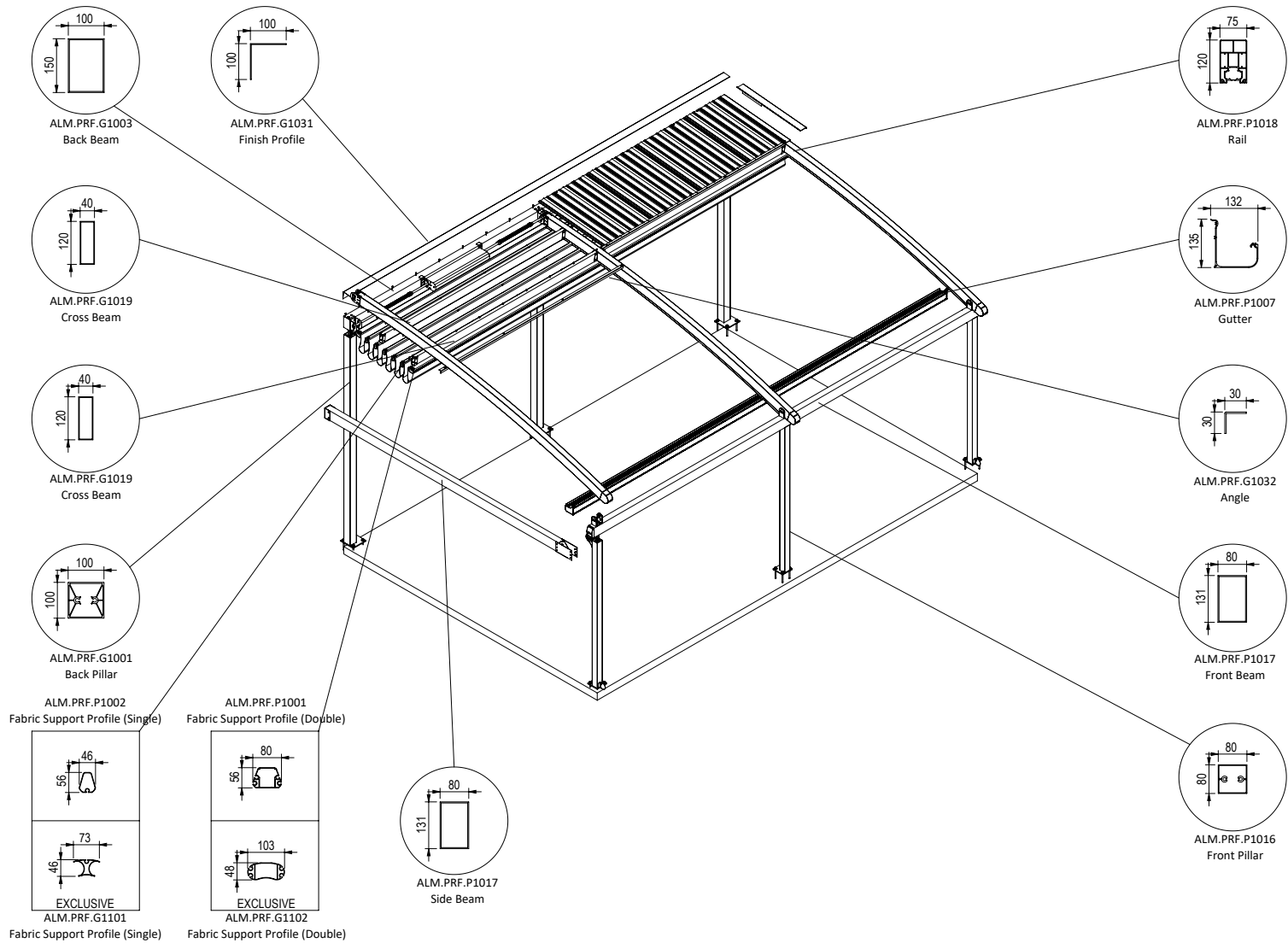
CORAL

Compact Freestanding



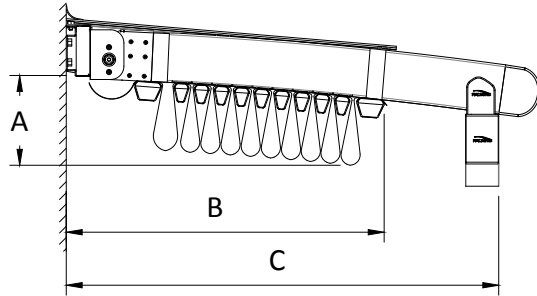
MAXIMUM DIMENSIONS

	WIDTH	PROJECTION
2 RAILS	400 cm	600 cm
3 RAILS	800 cm	600 cm
4 RAILS	1200 cm	600 cm
5 RAILS	1300 cm	600 cm



TECHNICAL FEATURES

COLLECTED FABRIC DIMENSIONS



DRAINAGE CALCULATION

Type	Max. m ²
Compact	30 m ² /pc

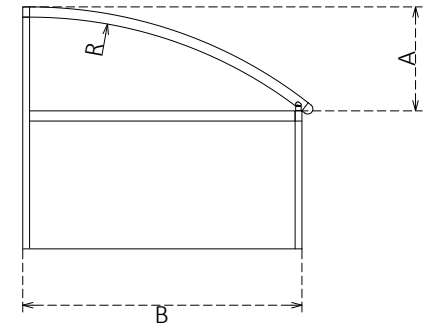
* per drainage

There should be at least one drainage, each 8 m length gutter.

RADIUS CHART

RADIUS	850	1500	2850	
Projection	A			B
250	63			
300	83			
350	107			
400	135	82		
450	168	98		
500		116		
550		137		
600		160	93	

*The values are approx. ± 5 cm



No of Fabric Support Profiles	Projection cm									
	200	250	300	350	400	450	500	550	600	C
5	31									73
6		32								79
7			33							86
9				35						99
10					36					105
11						37				112
13							39			125
14								40		131
15									41	138

*Calculated according to a slope of 15%

WIND RESISTANCE

PROJECTION (cm)	WIDTH (cm)																	
	450	500	550	600	650	700	750	800	850	900	950	1000	1050	1100	1150	1200	1250	1300
400	11	11	11	10	10	9	8	8	11	10	10	10	9	9	8	8	10	10
450	11	10	10	9	9	8	7	7	10	9	9	9	8	8	7	7	9	9
500	10	9	9	8	8	7	7	7	9	8	8	8	7	7	7	7	8	8
550	10	9	8	8	8	6	6	6	9	8	8	8	6	6	6	6	8	8
600	9	8	8	7	7	6	6	6	8	7	7	7	6	6	6	6	7	7

All sides open

PROJECTION (cm)	WIDTH (cm)																	
	450	500	550	600	650	700	750	800	850	900	950	1000	1050	1100	1150	1200	1250	1300
400	10	10	10	10	9	8	8	8	10	10	9	9	8	8	8	8	9	9
450	10	10	9	9	9	8	8	7	10	9	9	9	8	8	8	7	9	9
500	9	9	9	9	9	7	7	7	9	9	9	9	7	7	7	7	9	9
550	9	9	9	9	8	7	7	7	9	9	8	8	7	7	7	7	8	8
600	9	9	9	9	8	7	7	7	9	9	8	8	7	7	7	7	8	8

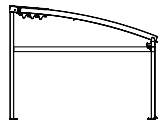
With side enclosure

*The values are given according to the Beaufort scale.

**Calculated for Products with a front height of 250 cm according to Eurocode EN 1991-1-4 Terrain Category 4.

*** You can ask for new calculations for special designs.

CORAL Compact Freestanding



Width
Projection

Projection	2 RAILS				3 RAILS								4 RAILS							5 RAILS		FS4 FS10-C	
	250 cm	300 cm	350 cm	400 cm	450 cm	500 cm	550 cm	600 cm	650 cm	700 cm	750 cm	800 cm	850 cm	900 cm	950 cm	1000 cm	1050 cm	1100 cm	1150 cm	1200 cm	1250 cm		1300 cm
200 cm	€ 7.496	€ 7.810	€ 8.403	€ 8.722	€ 10.547	€ 10.861	€ 11.178	€ 11.493	€ 12.082	€ 12.401	€ 12.769	€ 13.083	€ 14.639	€ 14.948	€ 15.522	€ 15.826	€ 16.129	€ 16.430	€ 16.732	€ 17.035	€ 19.200	€ 19.664	€ 1.336
250 cm	€ 7.886	€ 8.363	€ 8.815	€ 9.142	€ 11.099	€ 11.423	€ 11.903	€ 12.226	€ 12.675	€ 12.997	€ 13.375	€ 13.854	€ 15.541	€ 15.860	€ 16.290	€ 16.603	€ 17.072	€ 17.383	€ 17.695	€ 18.006	€ 20.304	€ 20.774	€ 1.435
300 cm	€ 8.458	€ 8.985	€ 9.482	€ 9.853	€ 11.985	€ 12.358	€ 12.884	€ 13.254	€ 13.749	€ 14.120	€ 14.541	€ 15.066	€ 16.931	€ 17.288	€ 17.770	€ 18.130	€ 18.640	€ 18.993	€ 19.354	€ 19.714	€ 22.183	€ 22.700	€ 1.534
350 cm	€ 9.012	€ 9.399	€ 9.900	€ 10.434	€ 12.702	€ 13.085	€ 13.466	€ 13.999	€ 14.503	€ 14.884	€ 15.318	€ 15.852	€ 17.851	€ 18.221	€ 18.860	€ 19.231	€ 19.599	€ 19.967	€ 20.485	€ 20.850	€ 23.456	€ 23.834	€ 1.633
400 cm	€ 9.416	€ 9.811	€ 10.325	€ 10.868	€ 13.275	€ 13.667	€ 14.061	€ 14.601	€ 15.116	€ 15.503	€ 15.946	€ 16.487	€ 18.629	€ 19.005	€ 19.655	€ 20.036	€ 20.415	€ 20.788	€ 21.321	€ 21.692	€ 24.437	€ 24.825	€ 1.731
450 cm	€ 9.829	€ 10.229	€ 10.753	€ 11.309	€ 13.853	€ 14.255	€ 14.656	€ 15.205	€ 15.730	€ 16.127	€ 16.582	€ 17.133	€ 19.409	€ 19.798	€ 20.457	€ 20.846	€ 21.230	€ 21.616	€ 22.156	€ 22.542	€ 25.423	€ 25.814	€ 1.830
500 cm	€ 10.234	€ 10.646	€ 11.179	€ 11.742	€ 14.428	€ 14.839	€ 15.246	€ 15.808	€ 16.340	€ 16.748	€ 17.210	€ 17.767	€ 20.189	€ 20.584	€ 21.255	€ 21.652	€ 22.046	€ 22.439	€ 22.988	€ 23.384	€ 26.402	€ 26.806	€ 1.929
550 cm	€ 10.818	€ 11.422	€ 12.005	€ 12.613	€ 15.474	€ 15.932	€ 16.540	€ 16.975	€ 17.724	€ 18.177	€ 18.686	€ 19.289	€ 21.887	€ 22.482	€ 23.043	€ 23.485	€ 24.080	€ 24.518	€ 25.111	€ 25.551	€ 28.748	€ 29.346	€ 2.028
600 cm	€ 11.234	€ 11.851	€ 12.441	€ 13.059	€ 16.056	€ 16.522	€ 17.142	€ 17.608	€ 18.345	€ 18.811	€ 19.330	€ 19.941	€ 22.675	€ 23.275	€ 23.970	€ 24.302	€ 24.907	€ 25.355	€ 25.955	€ 26.408	€ 29.737	€ 30.347	€ 2.127
FS3	€ 234	€ 245	€ 267	€ 294	€ 318	€ 342	€ 367	€ 391	€ 415	€ 439	€ 565	€ 589	€ 613	€ 638	€ 664	€ 688	€ 712	€ 737	€ 761	€ 785	€ 810	€ 834	
FS5-A	€ 43	€ 54	€ 64	€ 73	€ 84	€ 93	€ 105	€ 114	€ 125	€ 135	€ 146	€ 155	€ 166	€ 176	€ 187	€ 196	€ 208	€ 217	€ 228	€ 237	€ 249	€ 258	
FS5-E	€ 59	€ 75	€ 88	€ 100	€ 116	€ 129	€ 144	€ 157	€ 173	€ 185	€ 201	€ 214	€ 229	€ 242	€ 257	€ 270	€ 286	€ 299	€ 314	€ 327	€ 342	€ 355	

FS3	Gutter System
FS5-A	Additional Fabric Support Profile (Standard)
FS5-E	Additional Fabric Support Profile (3 Axis)
FS4 FS10-C	Additional Rail for Compact Series- Al.- 75x120mm Additional Pillar for Compact Series- Al.- 80x80mm
FS8	Lighting System

FS8	
FS8-S	SPOT
FS8-L	LINEAR
FS8-LR (RGB)	LINEAR (RGB)

LEDTYPE & MODULE		
2 LED	3 LED	4 LED
€ 132	€ 160	€ 189
€ 189	€ 245	
€ 240	€ 311	

- Notes:**
- FS9-C- Side Beam (Al. 80x130mm) is included in the price for right and left side.
 - FS Flexy Plain/3D or Stam 6002 is included in the price.
 - Motor and Remote control is included in the price.
 - Palmiye Aluminium Coating Catalogue includes the standard colours with no extra cost. For any other type/brand/color of paint, price difference and additional delivery duration shall be checked from your customer representative.
 - Standard fabric support profile plastic colours are specified in Palmiye Aluminium Coating Catalogue.
 - If you use an additional rail you have to add a front pillar. It's included in the price. (FS4+FS10-C)
 - In pergolas including steel front pillars, if gutter option is preferred, external water drainage points will be specified according to the Project and will be priced additionally.

DEDUCTIONS
Price deduction is applicable only for pillars and beam. Deduction amount shall be consider as 70% of related option price.

OPTIONS

FS10-C	Extra pillar (80x80mm Al.)	€ 392	pcs
FS10	Extra pillar (100x100mm Al.)	€ 532	pcs
FS10-ST3	Extra pillar (100x100x3mm St.)	€ 510	pcs
FS10-ST5	Extra pillar (100x100x5mm St.)	€ 744	pcs
FS11	Deco ceiling cover	€ 70	m ²
FS15-C	Side beam pillar (80x80mm - Al)	€ 392	pcs
FS19	Fix louver	€ 73	lm
FS23	External Square Downpipe	€ 326	pcs
FS24	W96 Ceiling Cover	€ 81	m ²
FS26	Exclusive fabric difference (up to 800cm width)	€ 48	m ²
FS29-1	Sun Sensor (SUNIS) (for single motor)	€ 604	pcs
FS29-1S	Sun Sensor (SUNIS) (for synchronized motor)	€ 962	pcs
FS29-2	Wind Sensor (EOLIS RTS) (for single motor)	€ 284	pcs
FS29-2S	Wind Sensor (EOLIS RTS) (for synchronized motor)	€ 639	pcs
FS29-3	Sun and Wind Sensor (SOLIRIS RTS) (for single motor)	€ 322	pcs
FS29-3S	Sun and Wind Sensor (SOLIRIS RTS) (for synchronized motor)	€ 676	pcs
FS29-4 ^{2/3}	Rain Sensor (ONDEIS) (for single motor)	€ 558	pcs
FS29-4S ^{2/3}	Rain Sensor (ONDEIS) (for synchronized motor)	€ 912	pcs
FS30	CONNEXOON	€ 510	pcs

Notes:

1. Fabric support profiles can be painted in the same color as the general construction. No fee is paid for this process. However, the plastic color should be specified from our standard plastic colours in Palmiye Color Chart.
2. For one product, a dry contact transmitter costing 358€, must be added.
3. Up to 5 products, a RS485 Automation interface dry contact transmitter costing 1094€, must be added.

BACK PILLAR POSITION CHANGE

		A								
		500	550	600	650	700	750	800	850	900
B	400									
	500									
	600									

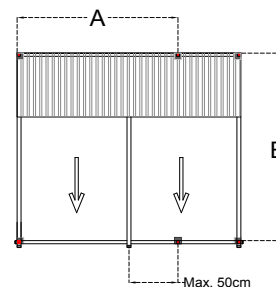
	BACK PILLAR	: Al. 100x100x3mm
	BACK BEAM	: Al. 100x150x3mm
	BACK PILLAR	: St. 100x100x3mm
	BACK BEAM	: St. 100x150x3mm
	BACK PILLAR	: St. 100x100x5mm
	BACK BEAM	: St. 100x150x5mm
	BACK PILLAR	: St. 100x100x5mm
	BACK BEAM	: St. 100x200x5mm

(Construction price difference needs to be added.
The deflection doesn't evaluate on this chart.)

EXTENSIONS

Rail	Compact - 75x120mm	€ 200	lm
Beam	Al. 80x130mm	€ 96	lm
Beam	Al. 100x150mm	€ 151	lm
Beam	St. 100x150x3mm	€ 310	lm
Beam	St. 100x150x5mm	€ 377	lm
Beam	St. 100x200x3mm	€ 315	lm
Beam	St. 100x200x5mm	€ 449	lm
Fabric protection cover	Al. - 63x__cm	€ 59	m ²
Gutter	Special Profile	€ 44	lm
Pillar	Al. 80x80mm	€ 85	lm
Pillar	Al. 100x100mm	€ 168	lm
Pillar	St. 100x100x3mm	€ 211	lm
Pillar	St. 100x100x5mm	€ 377	lm
Pillar	St. 150x150x3mm	€ 427	lm
Pillar	St. 150x150x5mm	€ 598	lm

- *Max. Al. Front pillar (Al. 80x80mm) height is 280cm
- *Max. St 3mm. Front pillar (St. 100x100x3mm) height is 380cm
- *Max. St. 5mm Front pillar (St. 100x100x5mm) height is 480cm



Middle front pillars can only be moved max. 50 cm towards right or left side.

STANDARD CONSTRUCTION

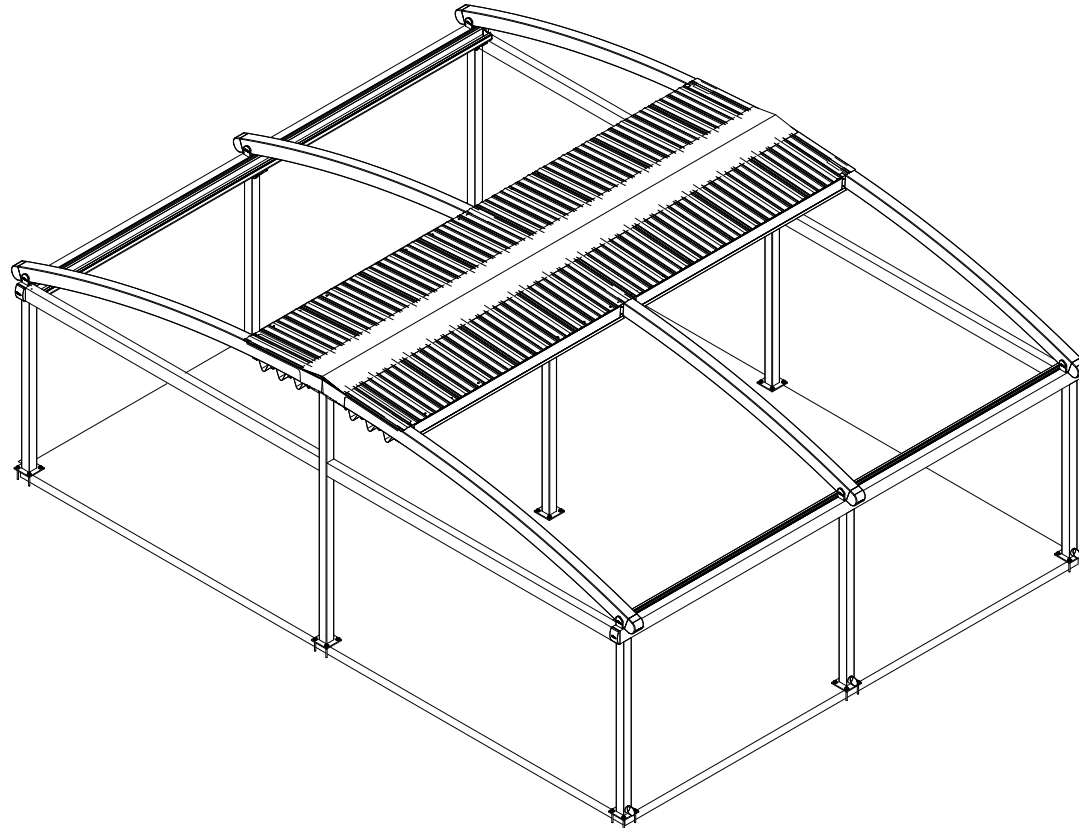
		WIDTH																	
		450	500	550	600	650	700	750	800	850	900	950	1000	1050	1100	1150	1200	1250	1300
PROJECTION	400																		
	450																		
	500																		
	550																		
600																			

	BACK PILLAR	: Al. 100x100x3mm
	BACK BEAM	: Al. 100x150x3mm

(in price included)

PRICE DIFFERENCE

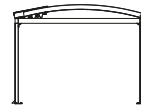
		BEAM GROUP			
		Standard	Al. 100x150mm		
Back Beam	to		St. 100x150x3mm	€ 155	lm
			St. 100x150x5mm	€ 231	lm
			St. 100x200x3mm	€ 160	lm
			St. 100x200x5mm	€ 302	lm
		Standard	Al. 80x130mm		
Front Beam	to		Al. 100x150mm	€ 55	lm
			St. 100x150x3mm	€ 227	lm
			St. 100x150x5mm	€ 304	lm
			St. 100x200x3mm	€ 232	lm
		St. 100x200x5mm	€ 374	lm	
		PILLAR GROUP			
		Standard	Al. 100x100mm		
Back Pillar	to		St. 100x100x3mm	€ 108	pcs
			St. 100x100x5mm	€ 443	pcs
			St. 150x150x3mm	€ 677	pcs
			St. 150x150x5mm	€ 1.197	pcs
		Standard	Al. 80x80mm		
Front Pillar	to		Al. 100x100mm	€ 138	pcs
			St. 100x100x3mm	€ 288	pcs
			St. 100x100x5mm	€ 623	pcs
			St. 150x150x3mm	€ 856	pcs
			St. 150x150x5mm	€ 1.376	pcs



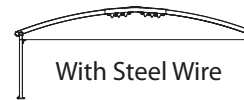
CORAL TWIN

PRODUCT FORMS

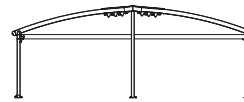
- **Coral Twin** Single Motor
-



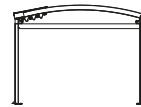
- **Coral Twin** Without Middle Pillar
-



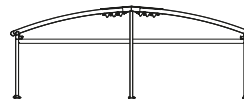
- **Coral Twin**
-



- **Coral Compact Twin** Single Motor
-

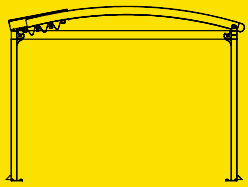


- **Coral Compact Twin**
-



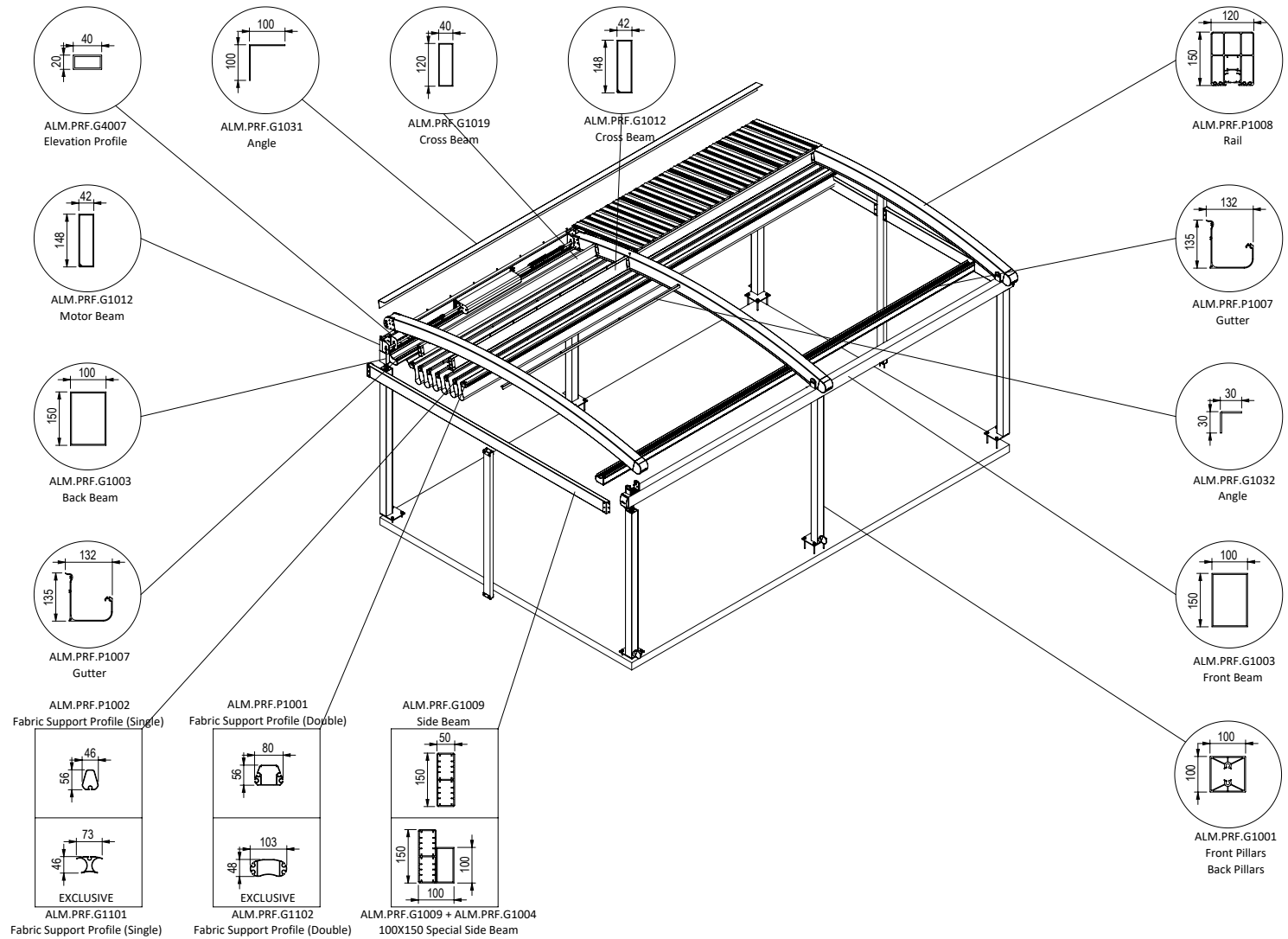
CORAL Twin

Single Motor



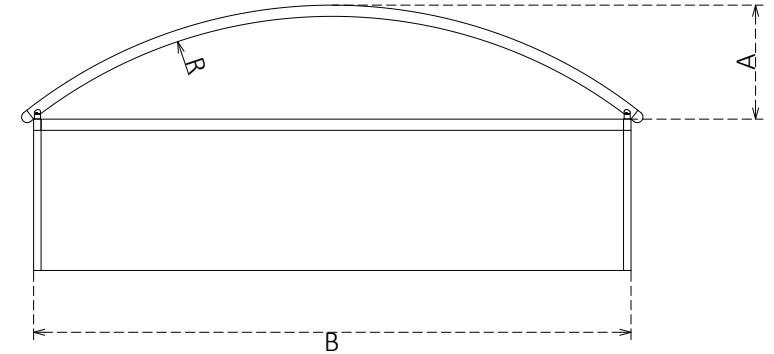
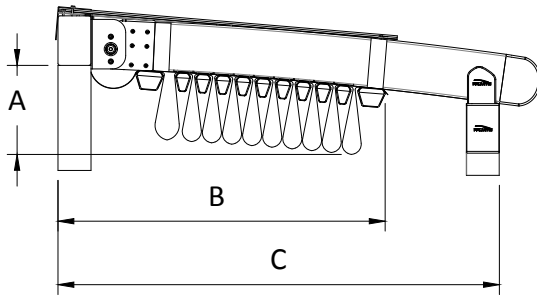
MAXIMUM DIMENSIONS

	WIDTH	PROJECTION
2 RAILS	350 cm	800 cm
3 RAILS	700 cm	800cm
	800 cm	800cm
4 RAILS	900 cm	700 cm
	1050 cm	600 cm
5 RAILS	1100 cm	600 cm
	1300 cm	500 cm



TECHNICAL FEATURES

COLLECTED FABRIC DIMENSIONS



Projection cm		C												
200	250	300	350	400	450	500	550	600	650	700	750	800		
9	31													104
9	31													104
11		32												117
13			33											130
15				36										143
17					37									156
17						37								156
19							40							169
21								42						182
23									44					195
25										46				208
27											48			221
29												50		234

DRAINAGE CALCULATION

Type	Max. m ²
Full	39 m ² /pc
Half	18 m ² /pc

* per drainage

There should be at least one drainage, each 8 m length gutter.

RADIUS CHART

RADIUS	R615	R850
Projection	A	
250	27	
300	33	
350	39	
400	47	
450	56	45
500	66	53
550	77	61
600		70
650		80
700		91
750		103
800		116

*The values are approx. ± 5 cm

*Calculated according to a slope of 15%

WIND RESISTANCE

PROJECTION (cm)	WIDTH (cm)																		
	450	500	550	600	650	700	750	800	850	900	950	1000	1050	1100	1150	1200	1250	1300	
400	11	11	11	11	11	11	11	11	11	11	11	11	11	11	11	11	11	11	11
450	11	11	11	11	11	11	11	11	11	11	11	11	11	11	11	11	11	11	11
500	11	11	11	11	10	10	11	11	11	11	11	10	10	11	11	11	11	10	10
550	11	11	10	10	10	10	11	10	10	10	10	10	10	11	10	10	10	10	10
600	10	10	10	9	9	9	10	10	9	9	9	9	10	10	10	10	10	10	10
650	10	9	9	8	8	8	8	9	9	8	8	8	8	8	8	8	8	8	8
700	9	8	8	8	7	7	7	8	8	8	8	8	8	8	8	8	8	8	8
750	9	8	8	8	7	7	7	8	8	8	8	8	8	8	8	8	8	8	8
800	8	8	8	8	7	7	7	8	8	8	8	8	8	8	8	8	8	8	8

All sides open

PROJECTION (cm)	WIDTH (cm)																		
	450	500	550	600	650	700	750	800	850	900	950	1000	1050	1100	1150	1200	1250	1300	
400	10	10	9	9	9	9	9	10	9	9	9	9	9	10	9	9	9	9	9
450	10	9	9	9	9	9	9	9	9	9	9	9	9	9	9	9	9	9	9
500	10	9	9	9	9	9	9	9	9	9	9	9	9	9	9	9	9	9	9
550	9	9	9	9	9	9	9	9	9	9	9	9	9	9	9	9	9	9	9
600	9	9	9	9	8	8	8	9	9	9	9	8	8	9	9	9	9	9	9
650	9	9	9	8	8	8	8	9	9	8	8	8	8	9	9	9	9	9	9
700	8	8	8	8	8	8	8	8	8	8	8	8	8	8	8	8	8	8	8
750	8	8	8	8	8	8	8	8	8	8	8	8	8	8	8	8	8	8	8
800	8	8	8	8	8	8	8	8	8	8	8	8	8	8	8	8	8	8	8

With side enclosure

*The values are given according to the Beaufort scale.

**Calculated for Products with a front height of 250 cm according to Eurocode EN 1991-1-4 Terrain Category 4.

*** You can ask for new calculations for special designs.

CORAL Twin Single Motor



Projection	Width																				FS4	FS9-SPD		
	2 RAILS			3 RAILS							4 RAILS						5 RAILS							
	250 cm	300 cm	350 cm	400 cm	450 cm	500 cm	550 cm	600 cm	650 cm	700 cm	750 cm	800 cm	850 cm	900 cm	950 cm	1000 cm	1050 cm	1100 cm	1150 cm	1200 cm	1250 cm	1300 cm		
200 cm	€ 8.775	€ 9.231	€ 9.845	€ 11.475	€ 12.089	€ 12.554	€ 12.983	€ 13.413	€ 14.181	€ 14.552	€ 16.031	€ 16.481	€ 17.091	€ 17.549	€ 18.308	€ 18.732	€ 19.158	€ 20.350	€ 20.679	€ 20.937	€ 23.427	€ 24.128	€ 1.152	€ 77
250 cm	€ 9.146	€ 9.826	€ 10.425	€ 11.923	€ 12.554	€ 13.115	€ 13.765	€ 14.204	€ 14.784	€ 15.166	€ 16.701	€ 17.385	€ 18.242	€ 18.489	€ 19.118	€ 19.555	€ 20.199	€ 21.433	€ 21.770	€ 22.034	€ 24.637	€ 25.349	€ 1.272	€ 107
300 cm	€ 9.796	€ 10.552	€ 11.222	€ 12.865	€ 13.592	€ 14.243	€ 14.963	€ 15.475	€ 16.125	€ 16.571	€ 18.282	€ 19.041	€ 19.992	€ 20.320	€ 21.005	€ 21.516	€ 22.231	€ 23.599	€ 24.000	€ 24.313	€ 27.193	€ 27.980	€ 1.391	€ 136
350 cm	€ 10.393	€ 10.951	€ 11.637	€ 13.552	€ 14.302	€ 15.025	€ 15.556	€ 16.287	€ 16.954	€ 17.406	€ 19.188	€ 19.966	€ 20.951	€ 21.280	€ 22.247	€ 22.770	€ 23.296	€ 24.710	€ 25.324	€ 25.643	€ 28.652	€ 29.231	€ 1.511	€ 166
400 cm	€ 10.778	€ 11.350	€ 12.049	€ 14.012	€ 14.784	€ 15.605	€ 16.149	€ 16.893	€ 17.572	€ 18.039	€ 19.879	€ 20.668	€ 21.666	€ 22.022	€ 23.081	€ 23.618	€ 24.158	€ 25.612	€ 26.236	€ 26.560	€ 29.664	€ 30.257	€ 1.631	€ 196
450 cm	€ 11.175	€ 11.761	€ 12.475	€ 14.486	€ 15.279	€ 16.200	€ 16.760	€ 17.519	€ 18.210	€ 18.688	€ 20.585	€ 21.389	€ 22.410	€ 22.780	€ 23.936	€ 24.486	€ 25.036	€ 26.535	€ 27.168	€ 27.494	€ 30.694	€ 31.303	€ 1.750	€ 225
500 cm	€ 11.561	€ 12.162	€ 12.891	€ 14.950	€ 15.765	€ 16.788	€ 17.357	€ 18.129	€ 18.837	€ 19.325	€ 21.280	€ 22.100	€ 23.145	€ 23.525	€ 24.776	€ 25.341	€ 25.906	€ 27.441	€ 28.084	€ 28.419	€ 31.713	€ 32.337	€ 1.870	€ 255
550 cm	€ 12.235	€ 13.119	€ 13.919	€ 16.144	€ 17.054	€ 18.144	€ 18.990	€ 19.628	€ 20.613	€ 21.165	€ 23.322	€ 24.220	€ 25.364	€ 26.044	€ 27.070	€ 27.735	€ 28.577	€ 30.270	€ 30.967	€ 31.346			€ 1.990	€ 284
600 cm	€ 12.631	€ 13.529	€ 14.349	€ 16.617	€ 17.549	€ 18.739	€ 19.602	€ 20.256	€ 21.250	€ 21.813	€ 24.030	€ 24.942	€ 26.108	€ 26.803	€ 27.956	€ 28.603	€ 29.459	€ 31.193					€ 2.109	€ 314
650 cm	€ 13.023	€ 13.940	€ 14.769	€ 17.086	€ 18.042	€ 19.329	€ 20.207	€ 20.873	€ 21.883	€ 22.369	€ 24.629	€ 25.552	€ 26.727	€ 27.443	€ 28.805	€ 29.470							€ 2.229	€ 344
700 cm	€ 13.415	€ 14.341	€ 15.185	€ 17.555	€ 18.528	€ 19.920	€ 20.807	€ 21.491	€ 22.516	€ 23.006	€ 25.328	€ 26.266	€ 29.543	€ 30.358									€ 2.349	€ 373
750 cm	€ 14.353	€ 15.293	€ 16.150	€ 18.570	€ 19.561	€ 21.058	€ 21.955	€ 22.657	€ 23.695	€ 24.190	€ 26.575	€ 27.528											€ 2.468	€ 659
800 cm	€ 14.743	€ 15.696	€ 16.566	€ 19.037	€ 20.045	€ 22.266	€ 23.184	€ 25.429	€ 26.620	€ 27.262	€ 29.954	€ 31.063											€ 2.588	€ 689
FS3	€ 234	€ 245	€ 267	€ 294	€ 318	€ 342	€ 367	€ 391	€ 415	€ 439	€ 565	€ 589	€ 613	€ 638	€ 664	€ 688	€ 712	€ 737	€ 761	€ 785	€ 810	€ 834		
FS5-A	€ 43	€ 54	€ 64	€ 73	€ 84	€ 93	€ 105	€ 114	€ 125	€ 135	€ 146	€ 155	€ 166	€ 176	€ 187	€ 196	€ 208	€ 217	€ 228	€ 237	€ 249	€ 258		
FS5-E	€ 59	€ 75	€ 88	€ 100	€ 116	€ 129	€ 144	€ 157	€ 173	€ 185	€ 201	€ 214	€ 229	€ 242	€ 257	€ 270	€ 286	€ 299	€ 314	€ 327	€ 342	€ 355		

Side beam pillar is included in the price

FS3	Gutter System (For One Side)
FS5-A	Additional Fabric Support Profile (Standard)
FS5-E	Additional Fabric Support Profile (3 Axis)
FS4	Additional Rail - Al.Plus- 120x150mm for both projection side
FS8	Lighting System
FS9-SPD	Price difference between from Al. 50x150mm to Al. 100x150mm Special side beam and Al. 50x100mm to Al. 100x100mm side beam pillar (for both side)

FS8	
FS8-S	SPOT
FS8-L	LINEAR
FS8-LR (RGB)	LINEAR (RGB)

LED TYPE & MODULE		
2 LED	3 LED	4 LED
€ 132	€ 160	€ 189
€ 189	€ 245	
€ 240	€ 311	

Notes:

- FS9- Side Beam (Al. 50x150mm) is included in the price for right and left side. For other option which is FS9-S (Al. 100x150mm) Special Side Beam is extra cost. The difference of the cost applies with FS9-SPD option code and for only one side of the pergola.
- If the projection is bigger than 700cm, a side beam pillar needs to be added up to rail (FS15 or FS15-B), FS15 Side Beam Pillar (Al. 50x100mm) included in the product price. FS15-B Side beam (Al. 100x100mm) included in FS9-SPD option.
- FS Flexy Plain/3D or Stam 6002 is included in the price.
- Motor and Remote control is included in the price.
- Palmiye Aluminium Coating Catalogue includes the standard colours with no extra cost. For any other type/brand/color of paint, price difference and additional delivery duration shall be checked from your customer representative.
- Standard fabric support profile plastic colours are specified in Palmiye Aluminium Coating Catalogue.
- Decorative fabric can not be applied to this model.

DEDUCTIONS

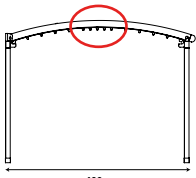
Price deduction is applicable only for pillars and beam. Deduction amount shall be consider as 70% of related option price.

OPTIONS

FS10	Extra pillar (100x100mm Al.)	€ 392	pcs
FS10-ST3	Extra pillar (100x100x3mm St.)	€ 532	pcs
FS10-ST5	Extra pillar (100x100x5mm St.)	€ 510	pcs
FS15	Side beam pillar (50x100mm - Al)	€ 744	pcs
FS15-B	Side beam pillar (100x100mm - Al)	€ 392	pcs
FS19	Fix louver	€ 73	lm
FS23	External Square Downpipe	€ 326	pcs
FS24	W96 Ceiling Cover	€ 81	m ²
FS26	Exclusive fabric difference (up to 800cm width)	€ 48	m ²
FS29-1	Sun Sensor (SUNIS) (for single motor)	€ 604	pcs
FS29-1S	Sun Sensor (SUNIS) (for synchronized motor)	€ 962	pcs
FS29-2	Wind Sensor (EOLIS RTS) (for single motor)	€ 284	pcs
FS29-2S	Wind Sensor (EOLIS RTS) (for synchronized motor)	€ 639	pcs
FS29-3	Sun and Wind Sensor (SOLIRIS RTS) (for single motor)	€ 322	pcs
FS29-3S	Sun and Wind Sensor (SOLIRIS RTS) (for synchronized motor)	€ 676	pcs
FS29-4 ^{2/3}	Rain Sensor (ONDEIS) (for single motor)	€ 558	pcs
FS29-4S ^{2/3}	Rain Sensor (ONDEIS) (for synchronized motor)	€ 912	pcs
FS30	CONNEXOON	€ 510	pcs

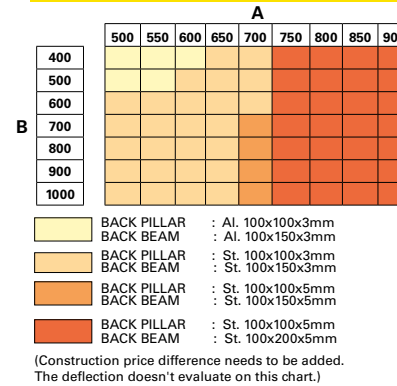
Notes:

1. Fabric support profiles can be painted in the same color as the general construction. No fee is paid for this process. However, the plastic color should be specified from our standard plastic colours in Palmiye Color Chart.
2. For one product, a dry contact transmitter costing 358€, must be added.
3. Up to 5 products, a RS485 Automation interface dry contact transmitter costing 1094€, must be added.

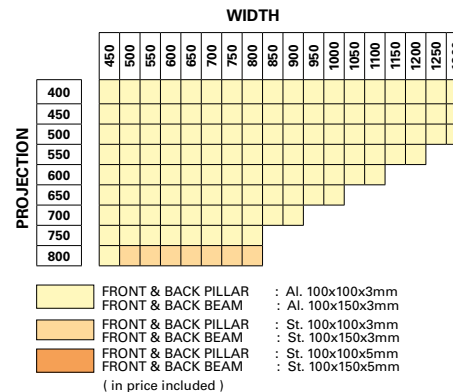


For projections of 4 meters or less, an extra fabric profile is added on either side of the central fabric profile to avoid water buildup along the pergola's central axis.

BACK PILLAR POSITION CHANGE



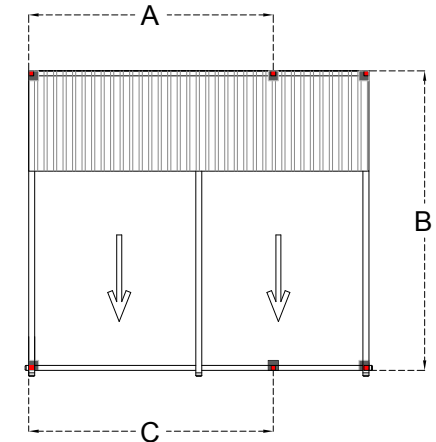
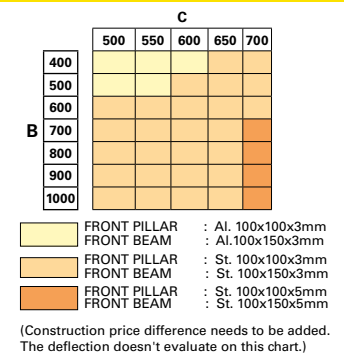
STANDARD CONSTRUCTION



EXTENSIONS

Rail	Plus - 120x150mm	€ 328	lm
Beam	Al. 100x150mm	€ 151	lm
Beam	St. 100x150x3mm	€ 310	lm
Beam	St. 100x150x5mm	€ 377	lm
Beam	St. 100x200x3mm	€ 315	lm
Beam	St. 100x200x5mm	€ 449	lm
Fabric protection cover	Al. - 63x__cm	€ 59	m ²
Gutter	Special Profile	€ 44	lm
Pillar	Al. 100x100mm	€ 168	lm
Pillar	St. 100x100x3mm	€ 211	lm
Pillar	St. 100x100x5mm	€ 377	lm
Pillar	St. 150x150x3mm	€ 427	lm
Pillar	St. 150x150x5mm	€ 598	lm

FRONT PILLAR POSITION CHANGE



PRICE DIFFERENCE

		BEAM GROUP	
		Standard	Al. 100x150mm
Beam	to	St. 100x150x3mm	€ 155 lm
		St. 100x150x5mm	€ 231 lm
		St. 100x200x3mm	€ 160 lm
		St. 100x200x5mm	€ 302 lm
		PILLAR GROUP	
		Standard	Al. 100x100mm
Pillar	to	St. 100x100x3mm	€ 108 pcs
		St. 100x100x5mm	€ 443 pcs
		St. 150x150x3mm	€ 677 pcs
		St. 150x150x5mm	€ 1.197 pcs

- *Max. Al. Front pillar (Al. 100x100mm) height is 280cm
- *Max. St 3mm. Front pillar (St. 100x100x3mm) height is 380cm
- *Max. St. 5mm Front pillar (St. 100x100x5mm) height is 480cm

CORAL

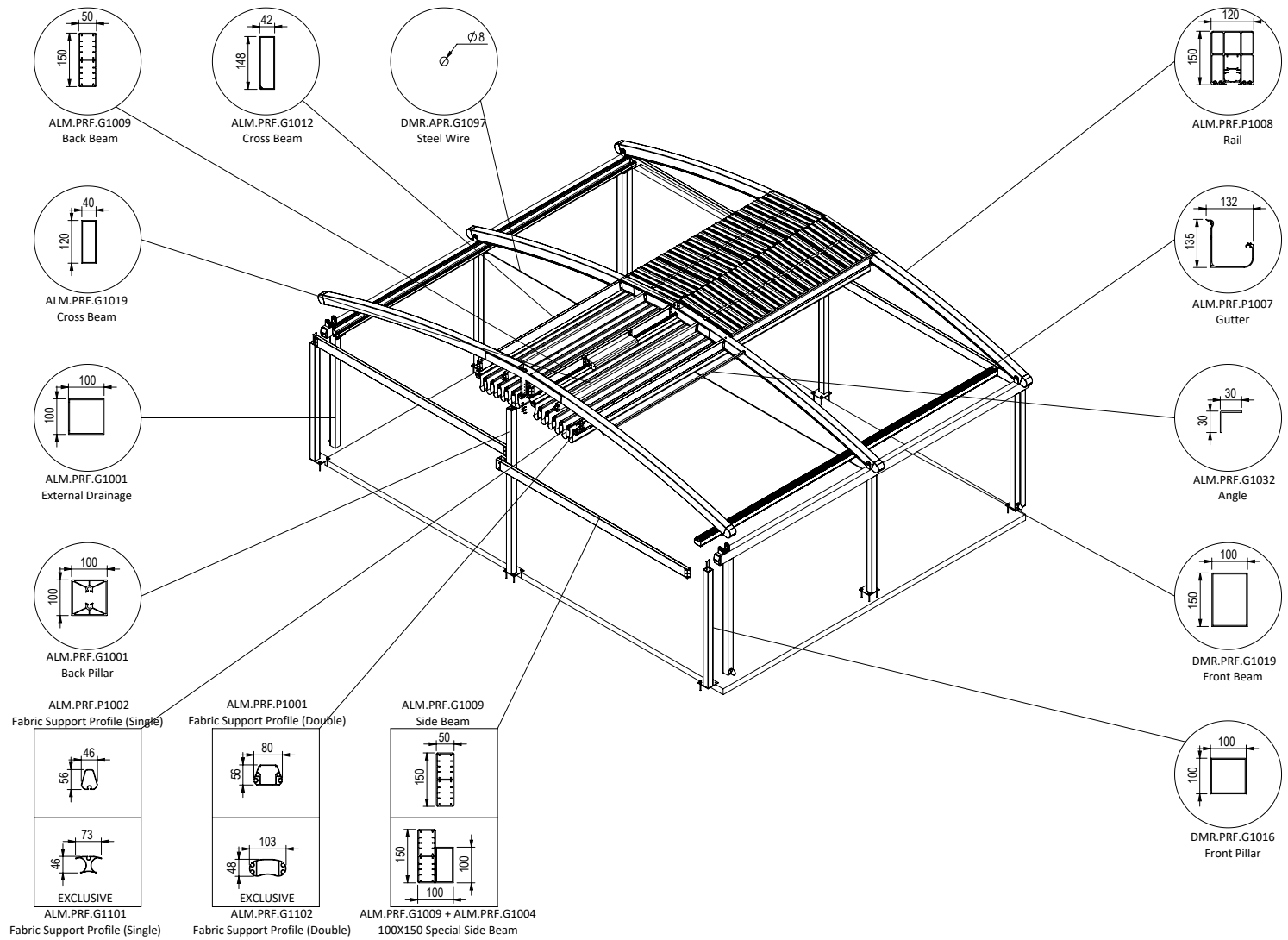
Twin

**Without
Middle Pillar**



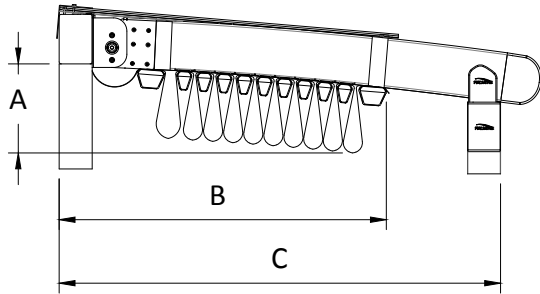
MAXIMUM DIMENSIONS

	WIDTH	PROJECTION
2 RAILS	400 cm	1000 cm
3 RAILS	800 cm	1000 cm
4 RAILS	1200 cm	1000 cm
5 RAILS	1300 cm	1000 cm



TECHNICAL FEATURES

COLLECTED FABRIC DIMENSIONS



No of Fabric Support Profiles	Projection cm							C
	200	250	300	350	400	450	500	
5	30							68
6		31						74
7			32					81
9				34				94
10					35			100
11						36		107
13							38	120

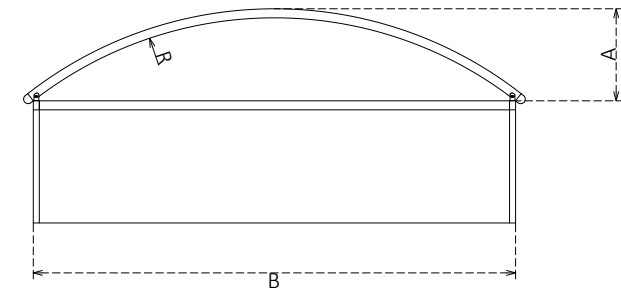
*Calculated according to a slope of 15%

DRAINAGE CALCULATION

Type	Max. m ²
Full	39 m ² /pc
Half	18 m ² /pc

* per drainage

There should be at least one drainage, each 8 m length gutter.



RADIUS CHART

RADIUS	650	850	1500
--------	-----	-----	------

Projection	A			B
	250	27		
300	32			
350	39			
400	47			
450	55	46		
500	65	54		
550	76	62		
600		71		
650		82		
700		93		
750		105	63	
800		118	69	
850		133	76	
900			84	
950			92	
1000			101	

*The values are approx. ± 5 cm

WIND RESISTANCE

PROJECTION (cm)	WIDTH (cm)																		
	450	500	550	600	650	700	750	800	850	900	950	1000	1050	1100	1150	1200	1250	1300	
400	11	11	11	11	11	11	11	11	11	11	11	11	11	11	11	11	11	11	11
500	11	11	11	11	11	11	11	10	10	11	11	11	11	11	10	10	10	11	11
600	11	11	10	10	10	10	9	9	10	10	10	10	9	9	9	9	10	10	10
700	10	9	9	9	8	8	8	8	9	9	8	8	8	8	8	8	8	8	8
800	9	8	8	8	7	7	7	7	8	8	7	7	7	7	7	7	7	7	7
900	8	8	7	7	7	7	7	7	7	7	7	7	7	7	7	7	7	7	7
1000	8	8	7	7	7	7	7	7	7	7	7	7	7	7	7	7	7	7	7

PROJECTION (cm)	All sides open WIDTH (cm)																		
	450	500	550	600	650	700	750	800	850	900	950	1000	1050	1100	1150	1200	1250	1300	
400	11	11	11	11	11	11	11	11	11	11	11	11	11	11	11	11	11	11	11
500	11	11	11	11	11	11	11	11	10	11	11	11	11	11	11	10	10	11	11
600	11	11	11	11	11	11	10	10	11	11	11	11	11	10	10	10	10	11	11
700	10	10	10	10	10	9	9	9	10	10	10	10	9	9	9	9	10	10	10
800	10	9	9	9	9	9	9	8	8	9	9	9	9	9	8	8	8	9	9
900	8	8	8	8	8	8	8	8	8	8	8	8	8	8	8	8	8	8	8
1000	8	8	8	8	8	8	8	8	8	8	8	8	8	8	8	8	8	8	8

With side enclosure

*The values are given according to the Beaufort scale.

**Calculated for Products with a front height of 250 cm according to Eurocode EN 1991-1-4 Terrain Category 4.

*** You can ask for new calculations for special designs.

CORAL Twin Without Middle Pillar



Projection	Width	2 RAILS				3 RAILS								4 RAILS								5 RAILS		FS4	FS9-SPD
		250 cm	300 cm	350 cm	400 cm	450 cm	500 cm	550 cm	600 cm	650 cm	700 cm	750 cm	800 cm	850 cm	900 cm	950 cm	1000 cm	1050 cm	1100 cm	1150 cm	1200 cm	1250 cm	1300 cm		
400 cm	€ 13.552	€ 14.222	€ 15.515	€ 16.193	€ 19.122	€ 19.792	€ 20.472	€ 21.141	€ 22.434	€ 23.113	€ 23.903	€ 24.572	€ 26.916	€ 27.567	€ 28.832	€ 29.482	€ 30.125	€ 30.775	€ 31.418	€ 32.068	€ 35.796	€ 36.810	€ 1.631	€ 196	
450 cm	€ 13.918	€ 14.770	€ 15.905	€ 16.593	€ 19.675	€ 20.355	€ 21.218	€ 21.899	€ 23.032	€ 23.716	€ 24.521	€ 25.377	€ 27.868	€ 28.534	€ 29.635	€ 30.296	€ 31.127	€ 31.789	€ 32.443	€ 33.105	€ 36.988	€ 38.009	€ 1.750	€ 225	
500 cm	€ 14.284	€ 15.317	€ 16.293	€ 16.991	€ 20.227	€ 20.915	€ 21.965	€ 22.653	€ 23.629	€ 24.317	€ 25.137	€ 26.178	€ 28.818	€ 29.499	€ 30.438	€ 31.107	€ 32.130	€ 32.799	€ 33.468	€ 34.139	€ 38.175	€ 39.206	€ 1.870	€ 255	
550 cm	€ 14.853	€ 15.944	€ 16.972	€ 17.722	€ 21.158	€ 21.901	€ 23.003	€ 23.748	€ 24.775	€ 25.520	€ 26.389	€ 27.486	€ 30.326	€ 31.052	€ 32.053	€ 32.773	€ 33.847	€ 34.567	€ 35.293	€ 36.019	€ 40.250	€ 41.338	€ 1.990	€ 284	
600 cm	€ 15.420	€ 16.574	€ 17.652	€ 18.453	€ 22.089	€ 22.888	€ 24.042	€ 24.841	€ 25.919	€ 26.720	€ 27.640	€ 28.794	€ 31.834	€ 32.607	€ 33.666	€ 34.439	€ 35.564	€ 36.335	€ 37.118	€ 37.898	€ 42.326	€ 43.468	€ 2.109	€ 313	
650 cm	€ 15.973	€ 16.964	€ 18.052	€ 19.038	€ 22.832	€ 23.641	€ 24.632	€ 25.618	€ 26.709	€ 27.520	€ 28.455	€ 29.616	€ 32.814	€ 33.600	€ 34.839	€ 35.629	€ 36.592	€ 37.376	€ 38.339	€ 39.131	€ 43.715	€ 44.701	€ 2.229	€ 344	
700 cm	€ 16.529	€ 17.356	€ 18.453	€ 19.626	€ 23.576	€ 24.396	€ 25.224	€ 26.394	€ 27.501	€ 28.321	€ 29.269	€ 30.441	€ 33.798	€ 34.597	€ 36.011	€ 36.820	€ 37.619	€ 38.420	€ 39.564	€ 40.363	€ 45.106	€ 45.933	€ 2.349	€ 373	
750 cm	€ 16.911	€ 17.748	€ 18.859	€ 20.040	€ 24.151	€ 24.983	€ 25.825	€ 27.005	€ 28.121	€ 28.954	€ 29.912	€ 31.093	€ 34.613	€ 35.421	€ 36.850	€ 37.668	€ 38.480	€ 39.291	€ 40.448	€ 41.257	€ 46.163	€ 47.000	€ 2.468	€ 404	
800 cm	€ 17.292	€ 18.138	€ 19.262	€ 20.453	€ 25.260	€ 26.166	€ 27.031	€ 28.264	€ 29.431	€ 30.319	€ 31.328	€ 32.561	€ 36.284	€ 37.145	€ 38.627	€ 39.496	€ 40.367	€ 41.227	€ 42.439	€ 43.301	€ 48.410	€ 49.298	€ 2.588	€ 433	
850 cm	€ 17.682	€ 18.544	€ 19.678	€ 20.883	€ 25.846	€ 26.766	€ 27.642	€ 28.884	€ 30.064	€ 30.962	€ 31.985	€ 33.232	€ 37.109	€ 37.982	€ 39.479	€ 40.358	€ 41.236	€ 42.111	€ 43.335	€ 44.208	€ 49.476	€ 50.374	€ 2.708	€ 462	
900 cm	€ 18.074	€ 18.949	€ 20.093	€ 21.311	€ 26.434	€ 27.367	€ 28.252	€ 29.504	€ 30.698	€ 31.857	€ 32.940	€ 34.246	€ 37.933	€ 38.821	€ 40.333	€ 41.637	€ 42.530	€ 43.422	€ 44.657	€ 45.546	€ 50.543	€ 51.448	€ 2.827	€ 492	
950 cm	€ 18.463	€ 19.345	€ 20.504	€ 21.731	€ 27.016	€ 27.959	€ 28.854	€ 30.119	€ 31.323	€ 32.496	€ 33.588	€ 34.904	€ 38.757	€ 39.654	€ 41.175	€ 42.495	€ 43.397	€ 44.298	€ 45.547	€ 46.449	€ 51.604	€ 52.525	€ 2.947	€ 521	
1000 cm	€ 18.847	€ 19.741	€ 20.911	€ 22.150	€ 27.628	€ 28.600	€ 29.576	€ 30.896	€ 32.154	€ 33.132	€ 34.233	€ 37.428	€ 42.046	€ 43.061	€ 44.249	€ 43.351	€ 44.260	€ 45.171	€ 49.090	€ 50.103	€ 56.115	€ 57.158	€ 3.067	€ 550	
FS3	€ 233	€ 245	€ 267	€ 294	€ 318	€ 342	€ 367	€ 391	€ 415	€ 439	€ 565	€ 589	€ 613	€ 638	€ 664	€ 688	€ 712	€ 737	€ 761	€ 785	€ 810	€ 834			
FS5-A	€ 43	€ 54	€ 64	€ 73	€ 84	€ 93	€ 105	€ 114	€ 125	€ 135	€ 146	€ 155	€ 166	€ 176	€ 187	€ 196	€ 208	€ 217	€ 228	€ 237	€ 249	€ 258			
FS5-E	€ 59	€ 75	€ 88	€ 100	€ 116	€ 129	€ 144	€ 157	€ 173	€ 185	€ 201	€ 214	€ 229	€ 242	€ 257	€ 270	€ 286	€ 299	€ 314	€ 327	€ 342	€ 355			

Notes:

- FS9- Side Beam (Al. 50x150mm) is included in the price for right and left side. For other option which is FS9-S (Al. 100x150mm) Special Side Beam is extra cost. The difference of the cost applies with FS9-SPD option code and for only one side of the pergola.
- FS Flexy Plain/3D or Stam 6002 is included in the price.
- Motor and Remote control is included in the price.

4. Palmiye Aluminium Coating Catalogue includes the standard colours with no extra cost. For any other type/brand/coulor of paint, price difference and additional delivery duration shall be checked from your customer representative.

5. Standard fabric support profile plastic colours are specified in Palmiye Aluminium Coating Catalogue.

6. The gutter option price is for one side and must be added separately for each side.

7. In pergolas including steel front pillars, if gutter option is preferred, external water drainage points will be specified according to the Project and will be priced additionally.

DEDUCTIONS

Price deduction is applicable only for front & back pillars and side beam. Deduction amount shall be consider as 70% of related option price.

FS3	Gutter System (For One Side)
FS5-A	Additional Fabric Support Profile (Standard)
FS5-E	Additional Fabric Support Profile (3 Axis)
FS4	Additional Rail - Al.Plus- 120x150mm for both projection side
FS8	Lighting System
FS9-SPD	Price difference between Al. 50x150mm to Al. 100x150mm Special side beam and Al. 50x100mm to Al. 100x100mm side beam pillar (for both side)

FS8	
FS8-S	SPOT
FS8-L	LINEAR
FS8-LR (RGB)	LINEAR (RGB)

LED TYPE & MODULE		
2 LED	3 LED	4 LED
€ 132	€ 160	€ 189
€ 189	€ 245	
€ 240	€ 311	

OPTIONS

FS10	Extra pillar (100x100mm Al.)	€ 532	pcs
FS10-ST3	Extra pillar (100x100x3mm St.)	€ 510	pcs
FS10-ST5	Extra pillar (100x100x5mm St.)	€ 744	pcs
FS11	Deco ceiling cover	€ 70	m ²
FS15	Side beam pillar (50x100mm - Al)	€ 276	pcs
FS15-B	Side beam pillar (100x100mm - Al)	€ 532	pcs
FS19	Fix louver	€ 73	lm
FS23	External Square Downpipe	€ 326	pcs
FS24	W96 Ceiling Cover	€ 81	m ²
FS26	Exclusive fabric difference (up to 800cm width)	€ 48	m ²
FS29-1	Sun Sensor (SUNIS) (for single motor)	€ 604	pcs
FS29-1S	Sun Sensor (SUNIS) (for synchronized motor)	€ 962	pcs
FS29-2	Wind Sensor (EOLIS RTS) (for single motor)	€ 284	pcs
FS29-2S	Wind Sensor (EOLIS RTS) (for synchronized motor)	€ 639	pcs
FS29-3	Sun and Wind Sensor (SOLIRIS RTS) (for single motor)	€ 322	pcs
FS29-3S	Sun and Wind Sensor (SOLIRIS RTS) (for synchronized motor)	€ 676	pcs
FS29-4 ^{2/3}	Rain Sensor (ONDEIS) (for single motor)	€ 558	pcs
FS29-4S ^{2/3}	Rain Sensor (ONDEIS) (for synchronized motor)	€ 912	pcs
FS30	CONNEXOON	€ 510	pcs

Notes:

1. Fabric support profiles can be painted in the same color as the general construction. No fee is paid for this process. However, the plastic color should be specified from our standard plastic colours in Palmiye Color Chart.
2. For one product, a dry contact transmitter costing 358€, must be added.
3. Up to 5 products, a RS485 Automation interface dry contact transmitter costing 1094€, must be added.

EXTENSIONS

Rail	Plus - 120x150mm	€ 328	lm
Beam	Al. 100x150mm	€ 151	lm
Beam	St. 100x150x3mm	€ 310	lm
Beam	St. 100x150x5mm	€ 377	lm
Beam	St. 100x200x3mm	€ 315	lm
Beam	St. 100x200x5mm	€ 449	lm
Fabric protection cover	Al. - 63x__cm	€ 59	m ²
Gutter	Special Profile	€ 44	lm
Pillar	Al. 100x100mm	€ 168	lm
Pillar	St. 100x100x3mm	€ 211	lm
Pillar	St. 100x100x5mm	€ 377	lm
Pillar	St. 150x150x3mm	€ 427	lm
Pillar	St. 150x150x5mm	€ 598	lm

*Max. Al. Front pillar (Al. 100x100mm) height is 280cm

*Max. St 3mm. Front pillar (St. 100x100x3mm) height is 380cm

*Max. St. 5mm Front pillar (St. 100x100x5mm) height is 480cm

STANDARD CONSTRUCTION

		WIDTH																	
		450	500	550	600	650	700	750	800	850	900	950	1000	1050	1100	1150	1200	1250	1300
PROJECTION	800																		
	900																		
	1000																		

	FRONT PILLAR : St. 100x100x3mm
	FRONT BEAM : St. 100x150x3mm

	FRONT PILLAR : St. 100x100x5mm
	FRONT BEAM : St. 100x150x5mm

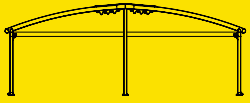
(in price included)

PRICE DIFFERENCE

		BEAM GROUP	
		Standard	St. 100x150x3mm
Front Beam			
	to	St. 100x150x5mm	€ 76 lm
		St. 100x200x3mm	€ 4 lm
		St. 100x200x5mm	€ 146 lm

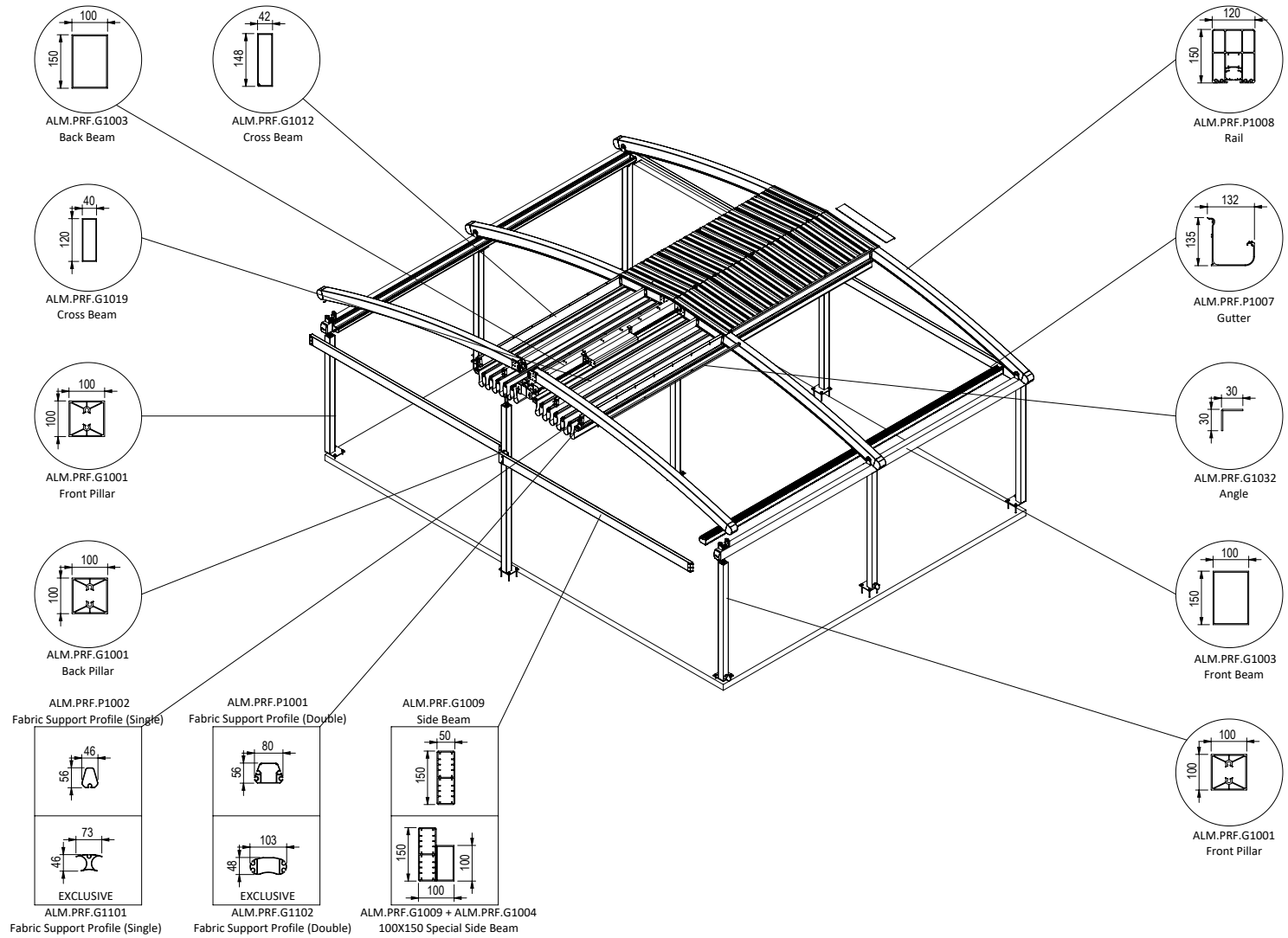
		PILLAR GROUP	
		Standard	St. 100x100x3mm
Front Pillar			
	to	St. 100x100x5mm	€ 337 pcs
		St. 150x150x3mm	€ 570 pcs
		St. 150x150x5mm	€ 1.090 pcs

CORAL Twin



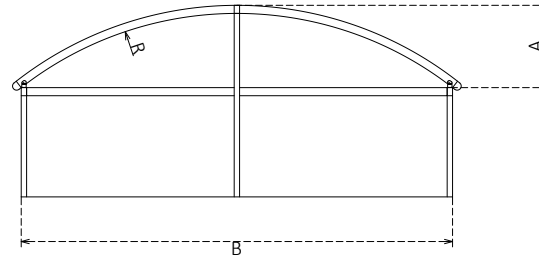
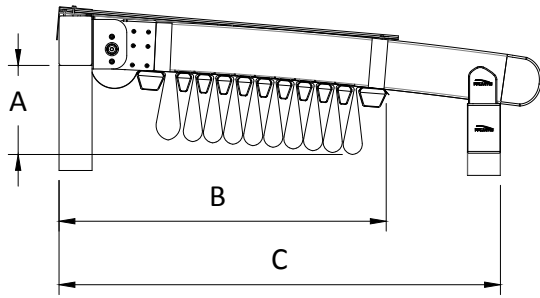
MAXIMUM DIMENSIONS

	WIDTH	PROJECTION
2 RAILS	400 cm	1600 cm
3 RAILS	800 cm	1600 cm
4 RAILS	1200 cm	1600 cm
5 RAILS	1300 cm	1400 cm



TECHNICAL FEATURES

COLLECTED FABRIC DIMENSIONS



Projection cm		C
200	250	30
300	350	31
400	450	32
500	550	34
600	650	35
700	750	36
800		38
		39
		40
		42
		43
		44
		46

No of Fabric Support Profiles	C
5	68
6	74
7	81
9	94
10	100
11	107
13	120
14	126
15	133
17	146
18	152
19	159
21	172

*Calculated according to a slope of 15%

DRAINAGE CALCULATION

Type	Max. m ²
Full	39 m ² /pc
Half	18 m ² /pc

* per drainage

There should be at least one drainage, each 8 m length gutter.

RADIUS CHART

RADIUS	R615	R850	R1500	R2850
250	34			
300	41			
350	49			
400	58			
450	68	56		
500	81	65		
550	94	74		
600		85		
650		96		
700		109		
750		122	75	
800		137	83	
850		153	91	
900			100	
950			109	
1000			118	
1050			128	
1100			139	
1150			150	89
1200			161	94
1250			174	101
1300				107
1350				114
1400				120
1450				128
1500				135
1550				142,5
1600				150

*The values are approx. ± 5 cm

WIND RESISTANCE

PROJECTION (cm)	WIDTH (cm)																	
	450	500	550	600	650	700	750	800	850	900	950	1000	1050	1100	1150	1200	1250	1300
800	11	11	11	11	10	10	9	9	11	11	10	10	10	10	9	9	10	10
900	11	11	11	11	10	9	9	8	11	11	10	10	9	9	9	8	10	10
1000	11	11	11	10	9	8	8	8	11	10	9	9	8	8	8	8	9	9
1100	11	10	10	10	9	8	8	7	10	10	9	9	8	8	8	7	9	9
1200	10	10	10	9	8	7	7	7	10	9	8	8	7	7	7	7	8	8
1300	9	9	8	8	7	7	7	7	9	8	8	8	7	7	7	7	8	8
1400	9	9	8	8	7	7	7	7	9	8	7	7	7	7	7	7	7	7
1500	8	8	7	7	7	7	7	7	8	7	7	7	7	7	7	7	7	7
1600	8	7	7	7	7	7	7	7	7	7	7	7	7	7	7	7	7	7

PROJECTION (cm)	WIDTH (cm)																	
	450	500	550	600	650	700	750	800	850	900	950	1000	1050	1100	1150	1200	1250	1300
800	11	10	10	10	9	8	8	8	10	10	9	9	8	8	8	8	9	9
900	10	10	10	10	9	8	8	8	10	10	9	9	8	8	8	8	9	9
1000	10	10	9	9	8	8	8	8	10	9	8	8	8	8	8	8	8	8
1100	9	9	9	9	7	7	7	7	9	9	7	7	7	7	7	7	7	7
1200	9	8	8	8	7	7	7	7	8	8	7	7	7	7	7	7	7	7
1300	8	8	7	7	7	7	7	7	8	7	7	7	7	7	7	7	7	7
1400	7	7	7	7	7	7	7	7	7	7	7	7	7	7	7	7	7	7
1500	7	7	7	7	7	7	7	7	7	7	7	7	7	7	7	7	7	7
1600	7	7	7	7	7	7	7	7	7	7	7	7	7	7	7	7	7	7

*The values are given according to the Beaufort scale.

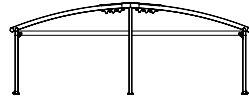
**Calculated for Products with a front height of 250 cm according to Eurocode EN 1991-1-4 Terrain Category 4.

*** You can ask for new calculations for special designs.

All sides open

With side enclosure

CORAL Twin



Projection	Width	2 RAILS				3 RAILS								4 RAILS						5 RAILS		FS4	FS9-SPD		
		250 cm	300 cm	350 cm	400 cm	450 cm	500 cm	550 cm	600 cm	650 cm	700 cm	750 cm	800 cm	850 cm	900 cm	950 cm	1000 cm	1050 cm	1100 cm	1150 cm	1200 cm			1250 cm	1300 cm
400 cm		€ 13.072	€ 13.717	€ 14.965	€ 15.619	€ 18.445	€ 19.090	€ 19.746	€ 20.392	€ 21.639	€ 22.293	€ 23.055	€ 23.701	€ 25.962	€ 26.590	€ 27.810	€ 28.437	€ 29.057	€ 29.684	€ 30.304	€ 30.931	€ 34.527	€ 35.505	€ 1.631	€ 196
450 cm		€ 13.425	€ 14.247	€ 15.341	€ 16.005	€ 18.977	€ 19.634	€ 20.466	€ 21.123	€ 22.215	€ 22.875	€ 23.652	€ 24.477	€ 26.880	€ 27.522	€ 28.584	€ 29.222	€ 30.024	€ 30.662	€ 31.293	€ 31.931	€ 35.676	€ 36.662	€ 1.750	€ 225
500 cm		€ 13.777	€ 14.774	€ 15.716	€ 16.388	€ 19.510	€ 20.174	€ 21.186	€ 21.850	€ 22.792	€ 23.455	€ 24.246	€ 25.250	€ 27.797	€ 28.453	€ 29.359	€ 30.004	€ 30.991	€ 31.637	€ 32.282	€ 32.929	€ 36.822	€ 37.816	€ 1.870	€ 255
550 cm		€ 14.327	€ 15.379	€ 16.370	€ 17.094	€ 20.408	€ 21.124	€ 22.188	€ 22.906	€ 23.897	€ 24.615	€ 25.453	€ 26.511	€ 29.251	€ 29.951	€ 30.917	€ 31.611	€ 32.647	€ 33.342	€ 34.042	€ 34.742	€ 38.823	€ 39.873	€ 1.990	€ 284
600 cm		€ 14.874	€ 15.986	€ 17.026	€ 17.799	€ 21.306	€ 22.077	€ 23.190	€ 23.961	€ 25.001	€ 25.773	€ 26.660	€ 27.773	€ 30.706	€ 31.451	€ 32.473	€ 33.218	€ 34.304	€ 35.047	€ 35.802	€ 36.555	€ 40.825	€ 41.927	€ 2.109	€ 313
650 cm		€ 15.406	€ 16.363	€ 17.412	€ 18.363	€ 22.023	€ 22.802	€ 23.759	€ 24.710	€ 25.762	€ 26.544	€ 27.446	€ 28.566	€ 31.651	€ 32.409	€ 33.604	€ 34.366	€ 35.295	€ 36.051	€ 36.980	€ 37.744	€ 42.165	€ 43.116	€ 2.229	€ 344
700 cm		€ 15.943	€ 16.741	€ 17.799	€ 18.930	€ 22.741	€ 23.532	€ 24.330	€ 25.459	€ 26.526	€ 27.317	€ 28.231	€ 29.362	€ 32.600	€ 33.371	€ 34.735	€ 35.515	€ 36.285	€ 37.058	€ 38.162	€ 38.933	€ 43.507	€ 44.305	€ 2.349	€ 373
750 cm		€ 16.312	€ 17.119	€ 18.190	€ 19.330	€ 23.295	€ 24.097	€ 24.910	€ 26.048	€ 27.124	€ 27.928	€ 28.851	€ 29.991	€ 33.386	€ 34.166	€ 35.544	€ 36.333	€ 37.116	€ 37.898	€ 39.014	€ 39.794	€ 44.527	€ 45.334	€ 2.468	€ 404
800 cm		€ 16.679	€ 17.495	€ 18.579	€ 19.728	€ 23.846	€ 24.662	€ 25.486	€ 26.635	€ 27.720	€ 28.537	€ 29.469	€ 30.618	€ 34.169	€ 34.960	€ 36.349	€ 37.147	€ 37.947	€ 38.736	€ 39.865	€ 40.656	€ 45.543	€ 46.359	€ 2.588	€ 433
850 cm		€ 17.056	€ 17.886	€ 18.981	€ 20.143	€ 24.411	€ 25.241	€ 26.075	€ 27.233	€ 28.331	€ 29.157	€ 30.104	€ 31.266	€ 34.966	€ 35.767	€ 37.171	€ 37.978	€ 38.785	€ 39.589	€ 40.729	€ 41.531	€ 46.572	€ 47.398	€ 2.708	€ 462
900 cm		€ 17.434	€ 18.277	€ 19.381	€ 20.555	€ 24.979	€ 25.821	€ 26.664	€ 27.831	€ 28.942	€ 29.777	€ 30.737	€ 31.911	€ 35.760	€ 36.576	€ 37.994	€ 38.809	€ 39.625	€ 40.442	€ 41.591	€ 42.407	€ 47.601	€ 48.434	€ 2.827	€ 492
950 cm		€ 17.808	€ 18.659	€ 19.777	€ 20.961	€ 25.541	€ 26.391	€ 27.244	€ 28.424	€ 29.546	€ 30.393	€ 31.362	€ 32.546	€ 36.555	€ 37.380	€ 38.807	€ 39.636	€ 40.462	€ 41.287	€ 42.449	€ 43.278	€ 48.625	€ 49.472	€ 2.947	€ 521
1000 cm		€ 18.179	€ 19.041	€ 20.170	€ 21.364	€ 26.101	€ 26.960	€ 27.822	€ 29.015	€ 30.146	€ 31.006	€ 31.984	€ 34.981	€ 39.348	€ 40.275	€ 39.618	€ 40.462	€ 41.294	€ 42.129	€ 45.867	€ 46.802	€ 52.497	€ 53.451	€ 3.067	€ 550
1050 cm		€ 18.759	€ 19.835	€ 21.019	€ 22.261	€ 27.195	€ 28.109	€ 29.191	€ 30.249	€ 31.617	€ 32.527	€ 33.558	€ 36.606	€ 41.168	€ 42.317	€ 41.542	€ 42.434	€ 43.494	€ 44.376	€ 48.163	€ 49.149	€ 55.044	€ 56.214	€ 3.199	€ 579
1100 cm		€ 19.337	€ 20.630	€ 21.866	€ 23.159	€ 28.289	€ 29.259	€ 30.558	€ 31.482	€ 33.089	€ 34.049	€ 35.133	€ 38.230	€ 42.990	€ 44.358	€ 43.467	€ 44.409	€ 45.692	€ 46.625	€ 50.459	€ 51.495	€ 57.593	€ 58.978	€ 3.334	€ 608
1150 cm		€ 19.730	€ 21.035	€ 22.283	€ 23.588	€ 28.871	€ 29.849	€ 31.164	€ 32.118	€ 33.715	€ 34.689	€ 35.782	€ 38.891	€ 43.805	€ 45.182	€ 44.440	€ 45.260	€ 46.550	€ 47.498	€ 51.341	€ 52.391	€ 58.641	€ 60.040	€ 3.467	€ 636
1200 cm		€ 20.126	€ 21.444	€ 22.701	€ 24.019	€ 29.455	€ 30.442	€ 31.769	€ 32.757	€ 34.344	€ 36.948	€ 38.143	€ 39.557	€ 44.623	€ 46.007	€ 47.599	€ 48.393	€ 49.786	€ 50.840	€ 52.226	€ 53.289	€ 59.691	€ 61.103	€ 3.600	€ 666
1250 cm		€ 20.512	€ 21.839	€ 23.110	€ 24.437	€ 30.033	€ 31.029	€ 32.366	€ 33.362	€ 34.964	€ 37.575	€ 38.785	€ 40.211	€ 45.430	€ 46.833	€ 48.299	€ 49.236	€ 50.639	€ 51.702	€ 53.106	€ 54.176	€ 60.737	€ 62.158	€ 3.734	€ 695
1300 cm		€ 20.897	€ 22.233	€ 23.515	€ 24.851	€ 30.611	€ 31.617	€ 32.962	€ 33.966	€ 35.580	€ 38.202	€ 39.425	€ 40.866	€ 46.235	€ 47.658	€ 48.997	€ 50.078	€ 51.490	€ 52.562	€ 53.983	€ 55.064	€ 61.780	€ 63.210	€ 3.867	€ 725
1350 cm		€ 21.283	€ 22.633	€ 23.924	€ 25.275	€ 31.189	€ 32.204	€ 33.562	€ 34.580	€ 36.204	€ 38.835	€ 40.068	€ 41.517	€ 47.048	€ 48.478	€ 49.832	€ 50.922	€ 52.348	€ 53.427	€ 54.859	€ 55.953	€ 62.820	€ 64.265	€ 4.000	€ 754
1400 cm		€ 21.668	€ 23.032	€ 24.333	€ 25.697	€ 31.769	€ 34.033	€ 35.499	€ 36.626	€ 39.390	€ 40.568	€ 41.873	€ 43.391	€ 47.861	€ 49.300	€ 52.081	€ 53.241	€ 54.743	€ 55.895	€ 57.397	€ 58.566	€ 65.651	€ 67.171	€ 4.133	€ 784
1450 cm		€ 23.105	€ 24.478	€ 25.792	€ 27.165	€ 33.394	€ 35.672	€ 37.144	€ 38.281	€ 41.054	€ 42.252	€ 43.565	€ 45.094	€ 49.720	€ 51.168	€ 53.957	€ 55.131	€ 56.642	€ 57.813	€ 59.323	€ 60.502	€ 67.748		€ 4.267	€ 1.326
1500 cm		€ 23.494	€ 24.876	€ 26.203	€ 27.585	€ 33.972	€ 36.263	€ 38.651	€ 39.865	€ 41.672	€ 42.887	€ 44.210	€ 45.746	€ 51.817	€ 53.337	€ 54.786	€ 55.973	€ 57.493	€ 58.682	€ 60.200	€ 61.389	€ 68.795		€ 4.400	€ 1.356
1550 cm		€ 23.883	€ 25.274	€ 26.614	€ 28.005	€ 34.550	€ 36.854	€ 39.245	€ 40.474	€ 42.290	€ 43.521	€ 44.856	€ 46.399	€ 52.626	€ 54.155	€ 55.615	€ 56.815	€ 58.344	€ 59.551	€ 61.076	€ 62.276			€ 4.533	€ 1.385
1600 cm		€ 24.273	€ 25.672	€ 27.025	€ 28.425	€ 35.875	€ 38.274	€ 39.840	€ 41.083	€ 42.909	€ 44.156	€ 45.501	€ 47.052	€ 53.435	€ 54.973	€ 56.444	€ 57.656	€ 59.194	€ 60.420	€ 61.952	€ 63.163			€ 4.667	€ 1.415
FS3		€ 234	€ 245	€ 267	€ 294	€ 318	€ 342	€ 367	€ 391	€ 415	€ 439	€ 565	€ 589	€ 613	€ 638	€ 664	€ 688	€ 712	€ 737	€ 761	€ 785	€ 810	€ 834		
FS5-A		€ 43	€ 54	€ 64	€ 73	€ 84	€ 93	€ 105	€ 114	€ 125	€ 135	€ 146	€ 155	€ 166	€ 176	€ 187	€ 196	€ 208	€ 217	€ 228	€ 237	€ 249	€ 258		
FS5-E		€ 59	€ 75	€ 88	€ 100	€ 116	€ 129	€ 144	€ 157	€ 173	€ 185	€ 201	€ 214	€ 229	€ 242	€ 257	€ 270	€ 286	€ 299	€ 314	€ 327	€ 342	€ 355		

Side beam pillar is included in the price

FS3	Gutter System (For One Side)
FS5-A	Additional Fabric Support Profile (Standard)
FS5-E	Additional Fabric Support Profile (3 Axis)
FS4	Additional Rail - Al.Plus- 120x150mm for both projection side
FS8	Lighting System
FS9-SPD	Price difference between Al. 50x150mm to Al. 100x150mm Special side beam

FS8	
FS8-S	SPOT
FS8-L	LINEAR
FS8-LR (RGB)	LINEAR (RGB)

LED TYPE & MODULE		
2 LED	3 LED	4 LED
€ 132	€ 160	€ 189
€ 189	€ 245	
€ 240	€ 311	

Notes:

- FS9- Side Beam (Al. 50x150mm) is included in the price for right and left side. For other option which is FS9-S (Al. 100x150mm) Special Side Beam is extra cost. The difference of the cost applies with FS9-SPD option code and for only one side of the pergola.
- If the projection is bigger than 700cm, a side beam pillar needs to be added up to rail (FS15 or FS15-B), FS15 Side Beam Pillar (Al. 50x100mm) included in the product price. FS15-B Side beam (Al. 100x100mm) included in FS9-SPD option.
- FS Flexy Plain/3D or Stam 6002 is included in the price.
- Motor and Remote control is included in the price.
- Palmye Aluminium Coating Catalogue includes the standard colours with no extra cost. For any other type/brand/coulor of paint, price difference and additional delivery duration shall be checked from your customer representative.
- Standard fabric support profile plastic colours are specified in Palmye Aluminium Coating Catalogue.
- The gutter option price is for one side and must be added separately for each side.
- In pergolas including steel front pillars, if gutter option is preferred, external water drainage points will be specified according to the Project and will be priced additionally.

DEDUCTIONS

Price deduction is applicable only for pillars and beam. Deduction amount shall be consider as 70% of related option price.

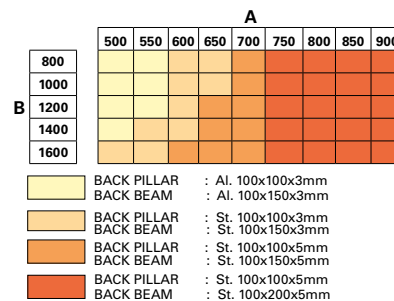
OPTIONS

FS10	Extra pillar (100x100mm Al.)	€ 532	pcs
FS10-ST3	Extra pillar (100x100x3mm St.)	€ 510	pcs
FS10-ST5	Extra pillar (100x100x5mm St.)	€ 744	pcs
FS11	Deco ceiling cover	€ 70	m ²
FS15	Side beam pillar (50x100mm - Al)	€ 276	pcs
FS15-B	Side beam pillar (100x100mm - Al)	€ 532	pcs
FS19	Fix louver	€ 73	lm
FS23	External Square Downpipe	€ 326	pcs
FS24	W96 Ceiling Cover	€ 81	m ²
FS26	Exclusive fabric difference (up to 800cm width)	€ 48	m ²
FS29-1	Sun Sensor (SUNIS) (for single motor)	€ 604	pcs
FS29-1S	Sun Sensor (SUNIS) (for synchronized motor)	€ 962	pcs
FS29-2	Wind Sensor (EOLIS RTS) (for single motor)	€ 284	pcs
FS29-2S	Wind Sensor (EOLIS RTS) (for synchronized motor)	€ 639	pcs
FS29-3	Sun and Wind Sensor (SOLIRIS RTS) (for single motor)	€ 322	pcs
FS29-3S	Sun and Wind Sensor (SOLIRIS RTS) (for synchronized motor)	€ 676	pcs
FS29-4 ^{2/3}	Rain Sensor (ONDEIS) (for single motor)	€ 558	pcs
FS29-4S ^{2/3}	Rain Sensor (ONDEIS) (for synchronized motor)	€ 912	pcs
FS30	CONNEXOON	€ 510	pcs

Notes:

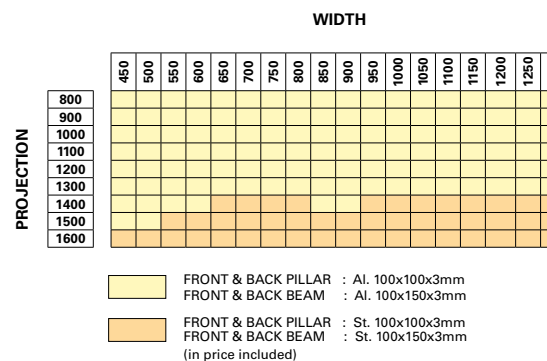
1. Fabric support profiles can be painted in the same color as the general construction. No fee is paid for this process. However, the plastic color should be specified from our standard plastic colours in Palmiye Color Chart.
2. For one product, a dry contact transmitter costing 358€, must be added.
3. Up to 5 products, a RS485 Automation interface dry contact transmitter costing 1094€, must be added.

BACK PILLAR POSITION CHANGE



(Construction price difference needs to be added.
The deflection doesn't evaluate on this chart.)

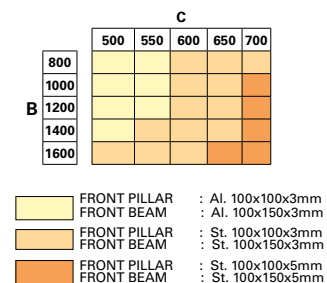
STANDARD CONSTRUCTION



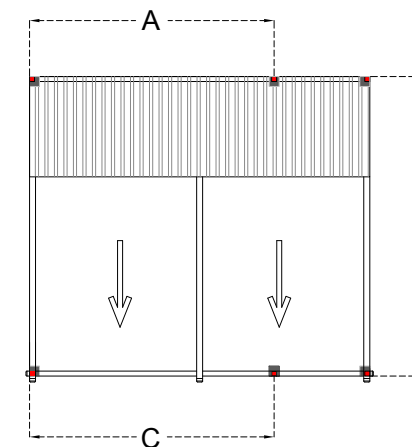
EXTENSIONS

Rail	Plus - 120x150mm	€ 328	lm
Beam	Al. 100x150mm	€ 151	lm
Beam	St. 100x150x3mm	€ 310	lm
Beam	St. 100x150x5mm	€ 377	lm
Beam	St. 100x200x3mm	€ 315	lm
Beam	St. 100x200x5mm	€ 449	lm
Fabric protection cover	Al. - 63x__cm	€ 59	m ²
Gutter	Special Profile	€ 44	lm
Pillar	Al. 100x100mm	€ 168	lm
Pillar	St. 100x100x3mm	€ 211	lm
Pillar	St. 100x100x5mm	€ 377	lm
Pillar	St. 150x150x3mm	€ 427	lm
Pillar	St. 150x150x5mm	€ 598	lm

FRONT PILLAR POSITION CHANGE



(Construction price difference needs to be added.
The deflection doesn't evaluate on this chart.)



PRICE DIFFERENCE

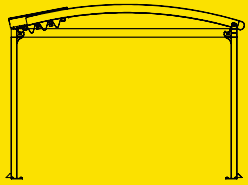
		BEAM GROUP	
		Standard	Al. 100x150mm
Beam	to	St. 100x150x3mm	€ 155 lm
		St. 100x150x5mm	€ 231 lm
		St. 100x200x3mm	€ 160 lm
		St. 100x200x5mm	€ 302 lm
		PILLAR GROUP	
		Standard	Al. 100x100mm
Pillar	to	St. 100x100x3mm	€ 108 pcs
		St. 100x100x5mm	€ 443 pcs
		St. 150x150x3mm	€ 677 pcs
		St. 150x150x5mm	€ 1.197 pcs

*Max. Al. Front pillar (Al. 100x100mm) height is 280cm
 *Max. St 3mm. Front pillar (St. 100x100x3mm) height is 380cm
 *Max. St. 5mm Front pillar (St. 100x100x5mm) height is 480cm

CORAL

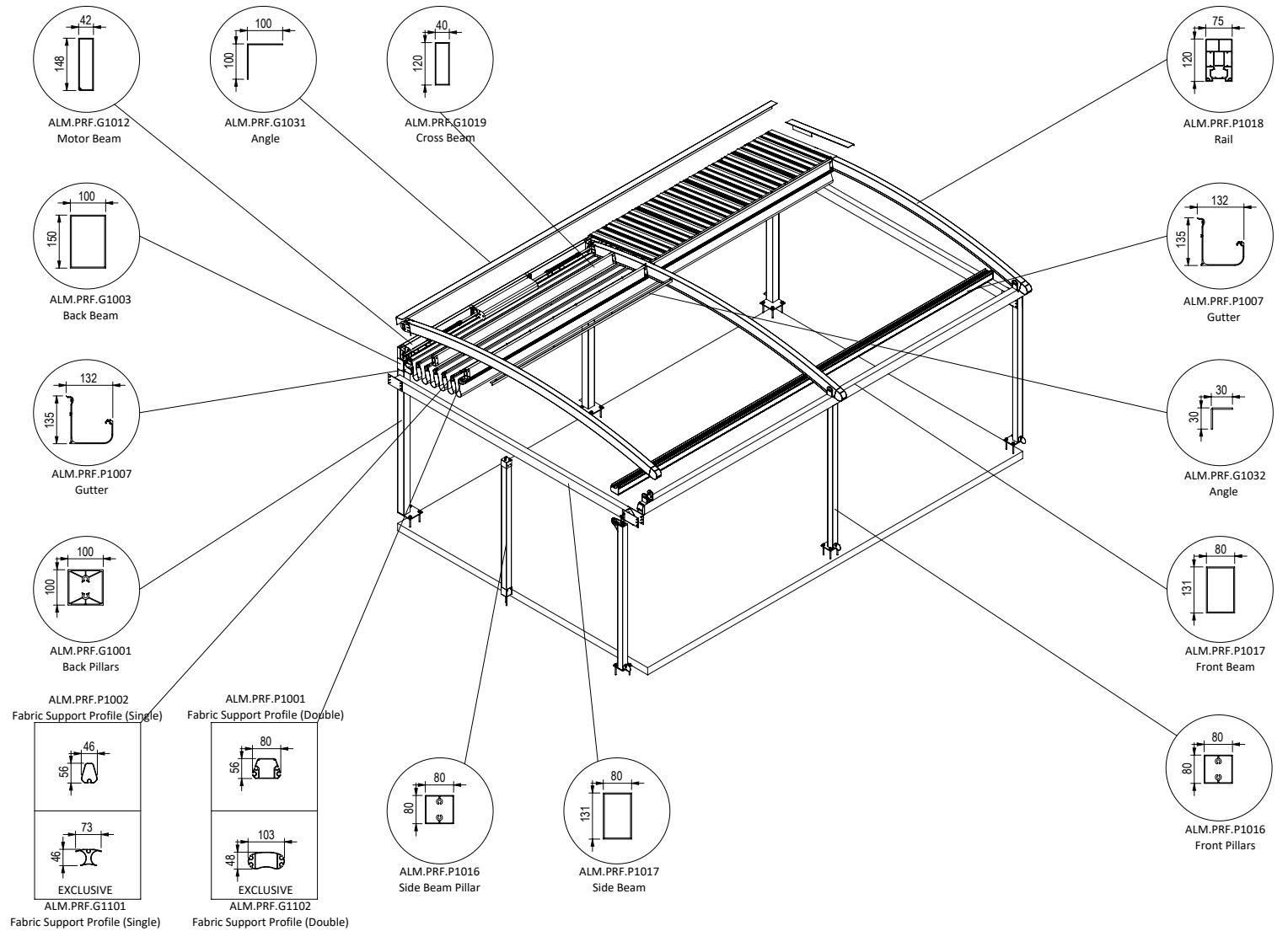
Compact Twin

Single Motor



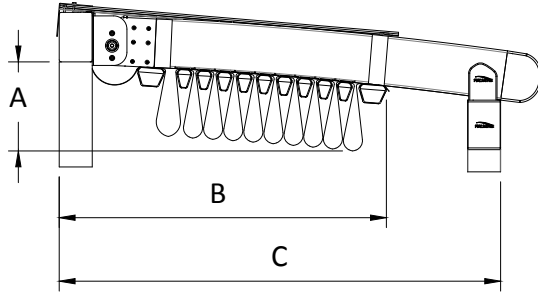
MAXIMUM DIMENSIONS

	WIDTH	PROJECTION
2 RAILS	350 cm	600 cm
3 RAILS	700 cm	600 cm
4 RAILS	1050 cm	600 cm
5 RAILS	1100 cm	600 cm
	1300 cm	500 cm



TECHNICAL FEATURES

COLLECTED FABRIC DIMENSIONS



TILTED VERSION	Projection cm								C
	200	250	300	350	400	450	500	550	
9	31								104
9	31								104
11		32							117
13			33						130
15				36					143
17					37				156
17						37			156
19							40		169

No of Fabric Support Profiles

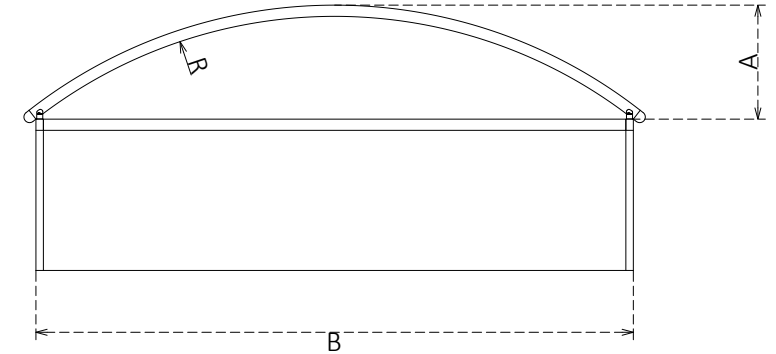
*Calculated according to a slope of 15%

DRAINAGE CALCULATION

Type	Max. m ²
Compact	30 m ² /pc

* per drainage

There should be at least one drainage, each 8 m length gutter.



RADIUS CHART

RADIUS	650	850

Projection	A		B
250	27		
300	33		
350	39		
400	47		
450	56	45	
500	66	53	
550	77	61	
600		70	

*The values are approx. ± 5 cm

WIND RESISTANCE

PROJECTION (cm)	WIDTH (cm)																	
	450	500	550	600	650	700	750	800	850	900	950	1000	1050	1100	1150	1200	1250	1300
400	11	11	11	10	10	9	11	11	10	10	10	9	11	11	10	10	10	10
450	10	10	9	9	9	8	10	9	9	9	9	8	10	9	9	9	9	9
500	10	9	8	8	8	7	9	8	8	8	8	7	9	8	8	8	8	8
550	9	8	7	7	7	7	8	7	7	7	7	7	8	7	7	7	7	7
600	8	8	7	7	7	6	8	7	7	7	7	6	8	7	7	7	7	7

All sides open

PROJECTION (cm)	WIDTH (cm)																	
	450	500	550	600	650	700	750	800	850	900	950	1000	1050	1100	1150	1200	1250	1300
400	8	8	8	8	8	8	8	8	8	8	8	8	8	8	8	8	8	8
450	8	8	8	8	8	7	8	8	8	8	8	7	8	8	8	8	8	8
500	8	8	8	7	7	7	8	8	7	7	7	7	8	8	7	7	7	7
550	7	7	7	7	7	6	7	7	7	7	7	6	7	7	7	7	7	7
600	7	7	7	7	7	6	7	7	7	7	7	6	7	7	7	7	7	7

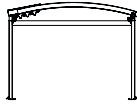
With side enclosure

*The values are given according to the Beaufort scale.

**Calculated for Products with a front height of 250 cm according to Eurocode EN 1991-1-4 Terrain Category 4.

*** You can ask for new calculations for special designs.

CORAL Compact Twin Single Motor



Projection	Width																					FS4 FS10-C	
	2 RAILS			3 RAILS							4 RAILS							5 RAILS					
	250 cm	300 cm	350 cm	400 cm	450 cm	500 cm	550 cm	600 cm	650 cm	700 cm	750 cm	800 cm	850 cm	900 cm	950 cm	1000 cm	1050 cm	1100 cm	1150 cm	1200 cm	1250 cm	1300 cm	
200 cm	€ 6.863	€ 7.218	€ 7.696	€ 8.965	€ 9.443	€ 9.803	€ 10.136	€ 10.467	€ 11.063	€ 11.350	€ 12.499	€ 12.847	€ 13.318	€ 13.670	€ 14.257	€ 14.583	€ 14.908	€ 15.832	€ 16.083	€ 16.279	€ 18.210	€ 18.748	€ 1.336
250 cm	€ 7.147	€ 7.676	€ 8.141	€ 9.307	€ 9.796	€ 10.230	€ 10.734	€ 11.074	€ 11.523	€ 11.818	€ 13.008	€ 13.538	€ 14.199	€ 14.388	€ 14.872	€ 15.208	€ 15.705	€ 16.657	€ 16.916	€ 17.114	€ 19.130	€ 19.677	€ 1.435
300 cm	€ 7.647	€ 8.234	€ 8.754	€ 10.032	€ 10.596	€ 11.101	€ 11.658	€ 12.052	€ 12.556	€ 12.899	€ 14.225	€ 14.812	€ 15.546	€ 15.797	€ 16.325	€ 16.716	€ 17.266	€ 18.323	€ 18.628	€ 18.866	€ 21.093	€ 21.699	€ 1.534
350 cm	€ 8.105	€ 8.536	€ 9.069	€ 10.558	€ 11.138	€ 11.698	€ 12.108	€ 12.672	€ 13.187	€ 13.536	€ 14.916	€ 15.516	€ 16.276	€ 16.526	€ 17.272	€ 17.674	€ 18.075	€ 19.166	€ 19.637	€ 19.877	€ 22.204	€ 22.646	€ 1.633
400 cm	€ 8.396	€ 8.840	€ 9.381	€ 10.905	€ 11.503	€ 12.138	€ 12.558	€ 13.132	€ 13.654	€ 14.014	€ 15.437	€ 16.046	€ 16.816	€ 17.086	€ 17.903	€ 18.314	€ 18.726	€ 19.846	€ 20.324	€ 20.568	€ 22.964	€ 23.417	€ 1.731
450 cm	€ 8.696	€ 9.150	€ 9.701	€ 11.263	€ 11.876	€ 12.588	€ 13.019	€ 13.605	€ 14.136	€ 14.503	€ 15.970	€ 16.590	€ 17.375	€ 17.655	€ 18.546	€ 18.968	€ 19.388	€ 20.543	€ 21.024	€ 21.270	€ 23.739	€ 24.202	€ 1.830
500 cm	€ 8.989	€ 9.452	€ 10.016	€ 11.612	€ 12.241	€ 13.032	€ 13.468	€ 14.065	€ 14.608	€ 14.983	€ 16.494	€ 17.123	€ 17.928	€ 18.215	€ 19.179	€ 19.610	€ 20.041	€ 21.223	€ 21.712	€ 21.964	€ 24.502	€ 24.977	€ 1.929
550 cm	€ 9.503	€ 10.187	€ 10.805	€ 12.527	€ 13.228	€ 14.070	€ 14.721	€ 15.212	€ 15.970	€ 16.394	€ 18.057	€ 18.748	€ 19.626	€ 20.146	€ 20.933	€ 21.441	€ 22.084	€ 23.386	€ 23.917	€ 24.202			€ 2.028
600 cm	€ 9.801	€ 10.494	€ 11.127	€ 12.881	€ 13.599	€ 14.517	€ 15.181	€ 15.683	€ 16.446	€ 16.877	€ 18.588	€ 19.286	€ 20.183	€ 20.714	€ 21.597	€ 22.090	€ 22.744	€ 24.075					€ 2.127
FS3	€ 234	€ 245	€ 267	€ 294	€ 318	€ 342	€ 367	€ 391	€ 415	€ 439	€ 565	€ 589	€ 613	€ 638	€ 664	€ 688	€ 712	€ 737	€ 761	€ 785	€ 810	€ 834	
FS5-A	€ 43	€ 54	€ 64	€ 73	€ 84	€ 93	€ 105	€ 114	€ 125	€ 135	€ 146	€ 155	€ 166	€ 176	€ 187	€ 196	€ 208	€ 217	€ 228	€ 237	€ 249	€ 258	
FS5-E	€ 59	€ 75	€ 88	€ 100	€ 116	€ 129	€ 144	€ 157	€ 173	€ 185	€ 201	€ 214	€ 229	€ 242	€ 257	€ 270	€ 286	€ 299	€ 314	€ 327	€ 342	€ 355	

FS3	Gutter System (For One Side)
FS5-A	Additional Fabric Support Profile (Standard)
FS5-E	Additional Fabric Support Profile (3 Axis)
FS4 FS10-C	Additional Rail for Compact Series - Al. - 75x120mm Additional Pillar for Compact Series - Al. - 80x80mm
FS8	Lighting System

FS8	
FS8-S	SPOT
FS8-L	LINEAR
FS8-LR (RGB)	LINEAR (RGB)

LED TYPE & MODULE		
2 LED	3 LED	4 LED
€ 132	€ 160	€ 189
€ 189	€ 245	
€ 240	€ 311	

Notes:

- Al. 80x130mm Side Beam is included in the price for right and left side.
- FS Flexy Plain/3D or Stam 6002 is included in the price.
- Motor and Remote control is included in the price.
- Palmiye Aluminium Coating Catalogue includes the standard colours with no extra cost. For any other type/brand/color of paint, price difference and additional delivery duration shall be checked from your customer representative.
- Standard fabric support profile plastic colours are specified in Palmiye Aluminium Coating Catalogue.
- If you use an additional rail you have to add a front pillar. It's included in the price. (FS4+FS10-C)
- The gutter option price is for one side and must be added separately for each side.
- Decorative fabric can not be applied to this model.

DEDUCTIONS

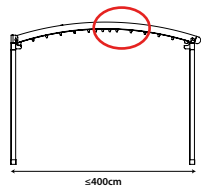
Price deduction is applicable only for front & back pillars and side beam. Deduction amount shall be consider as 70% of related option price.

OPTIONS

FS10-C	Extra pillar (80x80mm Al.)	€ 392	pcs
FS10	Extra pillar (100x100mm Al.)	€ 532	pcs
FS10-ST3	Extra pillar (100x100x3mm St.)	€ 510	pcs
FS10-ST5	Extra pillar (100x100x5mm St.)	€ 744	pcs
FS15-C	Side beam pillar (80x80mm - Al)	€ 392	pcs
FS19	Fix louver	€ 73	lm
FS23	External Square Downpipe	€ 326	pcs
FS24	W96 Ceiling Cover	€ 81	m ²
FS26	Exclusive fabric difference (up to 800cm width)	€ 48	m ²
FS29-1	Sun Sensor (SUNIS) (for single motor)	€ 604	pcs
FS29-1S	Sun Sensor (SUNIS) (for synchronized motor)	€ 962	pcs
FS29-2	Wind Sensor (EOLIS RTS) (for single motor)	€ 284	pcs
FS29-2S	Wind Sensor (EOLIS RTS) (for synchronized motor)	€ 639	pcs
FS29-3	Sun and Wind Sensor (SOLIRIS RTS) (for single motor)	€ 322	pcs
FS29-3S	Sun and Wind Sensor (SOLIRIS RTS) (for synchronized motor)	€ 676	pcs
FS29-42	Rain Sensor (ONDEIS) (for single motor)	€ 558	pcs
FS29-4S3	Rain Sensor (ONDEIS) (for synchronized motor)	€ 912	pcs
FS30	CONNEXOON	€ 510	pcs

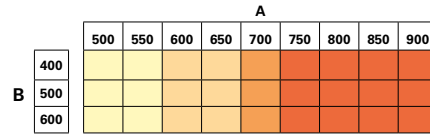
Notes:

1. Fabric support profiles can be painted in the same color as the general construction. No fee is paid for this process. However, the plastic color should be specified from our standard plastic colours in Palmiye Color Chart.
2. For one product, a dry contact transmitter costing 358€, must be added.
3. Up to 5 products, a RS485 Automation interface dry contact transmitter costing 1094€, must be added.



For projections of 4 meters or less, an extra fabric profile is added on either side of the central fabric profile to avoid water buildup along the pergola's central axis.

BACK PILLAR POSITION CHANGE



BACK PILLAR : Al. 100x100x3mm
 BACK BEAM : Al. 100x150x3mm

BACK PILLAR : St. 100x100x5mm
 BACK BEAM : St. 100x150x5mm

BACK PILLAR : St. 100x100x3mm
 BACK BEAM : St. 100x150x3mm

BACK PILLAR : St. 100x100x5mm
 BACK BEAM : St. 100x200x5mm

(Construction price difference needs to be added. The deflection doesn't evaluate on this chart.)

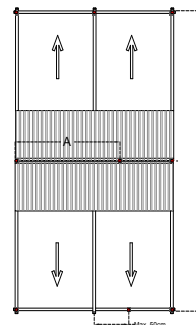
EXTENSIONS

Rail	Compact - 75x120mm	€ 200	lm
Beam	Al. 80x130mm	€ 96	lm
Beam	Al. 100x150mm	€ 151	lm
Beam	St. 100x150x3mm	€ 310	lm
Beam	St. 100x150x5mm	€ 377	lm
Beam	St. 100x200x3mm	€ 315	lm
Beam	St. 100x200x5mm	€ 449	lm
Fabric protection cover	Al. - 63x__cm	€ 59	m ²
Gutter	Special Profile	€ 44	lm
Pillar	Al. 80x80mm	€ 85	lm
Pillar	Al. 100x100mm	€ 168	lm
Pillar	St. 100x100x3mm	€ 211	lm
Pillar	St. 100x100x5mm	€ 377	lm
Pillar	St. 150x150x3mm	€ 427	lm
Pillar	St. 150x150x5mm	€ 598	lm

*Max. Al. Front pillar (Al. 80x80mm) height is 280cm

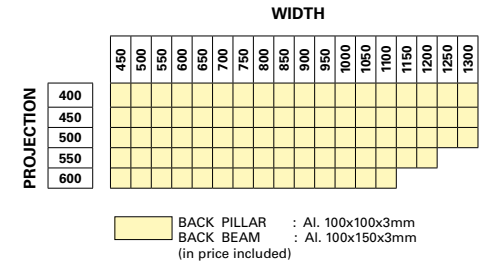
*Max. St 3mm. Front pillar (St. 100x100x3mm) height is 380cm

*Max. St. 5mm Front pillar (St. 100x100x5mm) height is 480cm



Middle front pillars can only be moved max. 50 cm towards right or left side.

STANDARD CONSTRUCTION



BACK PILLAR : Al. 100x100x3mm
 BACK BEAM : Al. 100x150x3mm
 (in price included)

PRICE DIFFERENCE

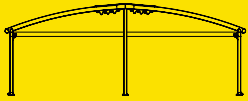
		BEAM GROUP	
		Standard	Al. 100x150mm
Back Beam	to	St. 100x150x3mm	€ 155 lm
		St. 100x150x5mm	€ 231 lm
		St. 100x200x3mm	€ 160 lm
		St. 100x200x5mm	€ 302 lm
		Standard	Al. 80x130mm
Front Beam	to	Al. 100x150mm	€ 55 lm
		St. 100x150x3mm	€ 227 lm
		St. 100x150x5mm	€ 304 lm
		St. 100x200x3mm	€ 232 lm
		St. 100x200x5mm	€ 374 lm

		PILLAR GROUP	
		Standard	Al. 100x100mm
Back Pillar	to	St. 100x100x3mm	€ 108 pcs
		St. 100x100x5mm	€ 443 pcs
		St. 150x150x3mm	€ 677 pcs
		St. 150x150x5mm	€ 1.197 pcs

		Al. 80x80mm	
Front Pillar	to	Al. 100x100mm	€ 138 pcs
		St. 100x100x3mm	€ 288 pcs
		St. 100x100x5mm	€ 623 pcs
		St. 150x150x3mm	€ 856 pcs
		St. 150x150x5mm	€ 1.376 pcs

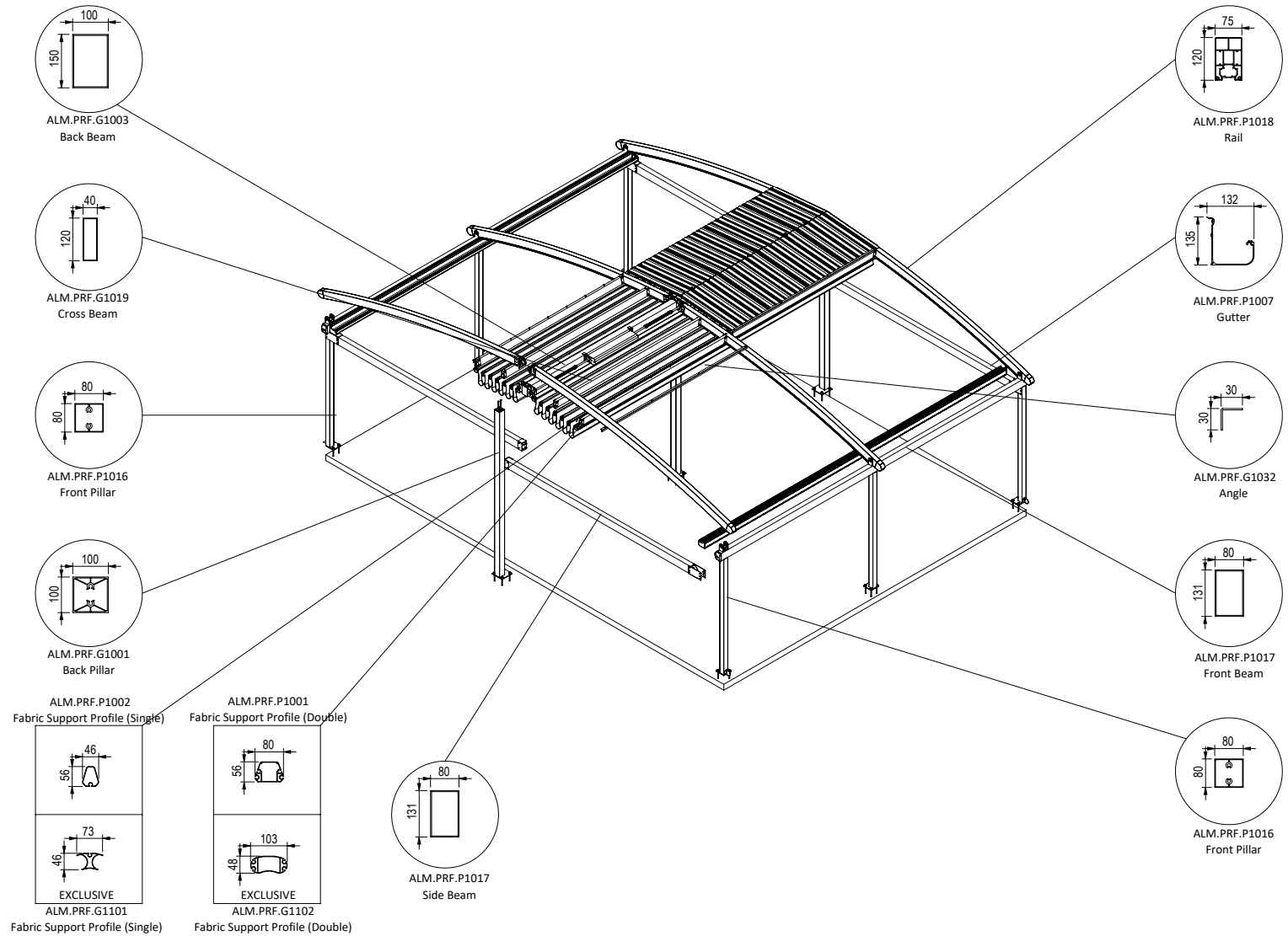
CORAL

Compact Twin



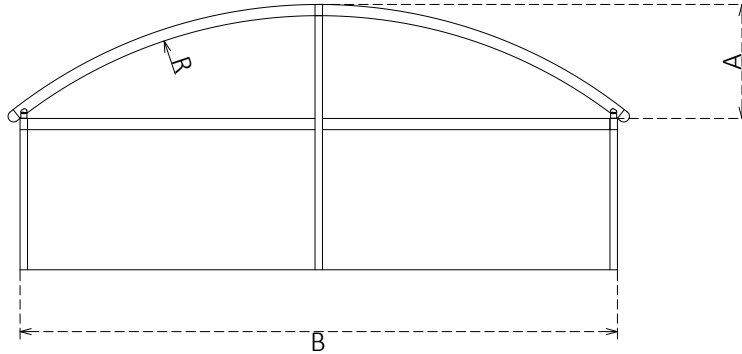
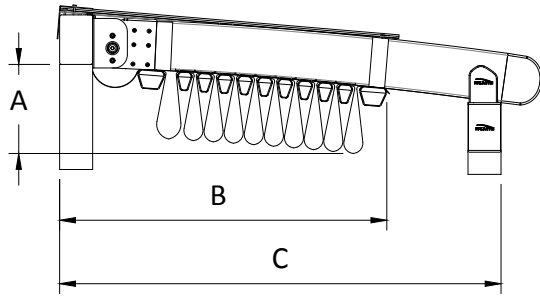
MAXIMUM DIMENSIONS

	WIDTH	PROJECTION
2 RAILS	400 cm	1200 cm
3 RAILS	800 cm	1200 cm
4 RAILS	1200 cm	1200 cm
5 RAILS	1300 cm	1200 cm



TECHNICAL FEATURES

COLLECTED FABRIC DIMENSIONS



No of Fabric Support Profiles	Projection cm										C
	200	250	300	350	400	450	500	550	600		
5	30										68
6		31									74
7			32								81
9				34							94
10					35						100
11						36					107
13							38				120
14								39			126
15									40		133

*Calculated according to a slope of 15%

DRAINAGE CALCULATION

Type	Max. m ²
Compact	30 m ² /pc

* per drainage

There should be at least one drainage, each 8 m length gutter.

RADIUS CHART

RADIUS	650	850	1500	2850	
Projection	A				B
250	34				
300	41				
350	49				
400	58				
450	68	56			
500	81	65			
550	94	74			
600		85			
650		96			
700		109			
750		122	75		
800		137	83		
850		153	91		
900			100		
950			109		
1000			118		
1050			128		
1100			139		
1150			150	89	
1200			161	94	

*The values are approx. ± 5 cm

WIND RESISTANCE

PROJECTION (cm)	WIDTH (cm)																		
	450	500	550	600	650	700	750	800	850	900	950	1000	1050	1100	1150	1200	1250	1300	
800	11	11	11	10	10	9	8	8	11	10	10	10	9	9	8	8	10	10	
900	11	10	10	9	9	8	7	7	10	9	9	9	8	8	7	7	9	9	
1000	10	9	9	8	8	7	7	7	9	8	8	8	7	7	7	7	8	8	
1100	10	9	8	8	8	6	6	6	9	8	8	8	6	6	6	6	8	8	
1200	9	8	8	7	7	6	6	6	8	7	7	7	6	6	6	6	7	7	

All sides open

PROJECTION (cm)	WIDTH (cm)																		
	450	500	550	600	650	700	750	800	850	900	950	1000	1050	1100	1150	1200	1250	1300	
800	10	10	10	10	9	8	8	8	10	10	9	9	8	8	8	8	9	9	
900	10	10	9	9	9	8	8	7	10	9	9	9	8	8	8	7	9	9	
1000	9	9	9	9	9	7	7	7	9	9	9	9	7	7	7	7	9	9	
1100	9	9	9	9	8	7	7	7	9	9	8	8	7	7	7	7	8	8	
1200	9	9	9	9	8	7	7	7	9	9	8	8	7	7	7	7	8	8	

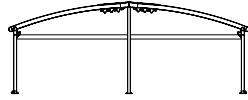
With side enclosure

*The values are given according to the Beaufort scale.

**Calculated for Products with a front height of 250 cm according to Eurocode EN 1991-1-4 Terrain Category 4.

*** You can ask for new calculations for special designs.

CORAL Compact Twin



Projection	Width	2 RAILS				3 RAILS								4 RAILS						5 RAILS		FS4 FS10-C	
		250 cm	300 cm	350 cm	400 cm	450 cm	500 cm	550 cm	600 cm	650 cm	700 cm	750 cm	800 cm	850 cm	900 cm	950 cm	1000 cm	1050 cm	1100 cm	1150 cm	1200 cm		1250 cm
400 cm	€ 10.592	€ 11.110	€ 12.118	€ 12.643	€ 14.927	€ 15.445	€ 15.970	€ 16.486	€ 17.490	€ 18.014	€ 18.623	€ 19.139	€ 20.959	€ 21.457	€ 22.435	€ 22.933	€ 23.426	€ 23.926	€ 24.417	€ 24.915	€ 27.804	€ 28.582	€ 1.731
450 cm	€ 10.867	€ 11.529	€ 12.410	€ 12.943	€ 15.343	€ 15.868	€ 16.536	€ 17.061	€ 17.937	€ 18.465	€ 19.086	€ 19.746	€ 21.677	€ 22.188	€ 23.037	€ 23.544	€ 24.182	€ 24.690	€ 25.190	€ 25.695	€ 28.700	€ 29.484	€ 1.830
500 cm	€ 11.141	€ 11.943	€ 12.701	€ 13.239	€ 15.757	€ 16.288	€ 17.101	€ 17.630	€ 18.385	€ 18.914	€ 19.546	€ 20.348	€ 22.395	€ 22.917	€ 23.639	€ 24.150	€ 24.937	€ 25.448	€ 25.959	€ 26.471	€ 29.591	€ 30.382	€ 1.929
550 cm	€ 11.574	€ 12.419	€ 13.216	€ 13.796	€ 16.466	€ 17.039	€ 17.892	€ 18.465	€ 19.257	€ 19.830	€ 20.499	€ 21.344	€ 23.542	€ 24.099	€ 24.868	€ 25.419	€ 26.244	€ 26.793	€ 27.348	€ 27.900	€ 31.169	€ 32.002	€ 2.028
600 cm	€ 12.003	€ 12.898	€ 13.732	€ 14.352	€ 17.174	€ 17.790	€ 18.681	€ 19.295	€ 20.126	€ 20.743	€ 21.450	€ 22.337	€ 24.690	€ 25.281	€ 26.093	€ 26.684	€ 27.548	€ 28.137	€ 28.733	€ 29.328	€ 32.744	€ 33.616	€ 2.127
650 cm	€ 12.421	€ 13.188	€ 14.030	€ 14.792	€ 17.734	€ 18.355	€ 19.119	€ 19.879	€ 20.719	€ 21.341	€ 22.059	€ 22.953	€ 25.424	€ 26.024	€ 26.975	€ 27.579	€ 28.315	€ 28.913	€ 29.649	€ 30.251	€ 33.786	€ 34.536	€ 2.224
700 cm	€ 12.841	€ 13.479	€ 14.327	€ 15.234	€ 18.294	€ 18.925	€ 19.559	€ 20.461	€ 21.312	€ 21.941	€ 22.668	€ 23.570	€ 26.161	€ 26.770	€ 27.855	€ 28.471	€ 29.080	€ 29.691	€ 30.566	€ 31.173	€ 34.826	€ 35.453	€ 2.323
750 cm	€ 13.125	€ 13.770	€ 14.628	€ 15.539	€ 18.721	€ 19.359	€ 20.006	€ 20.913	€ 21.772	€ 22.410	€ 23.142	€ 24.050	€ 26.764	€ 27.380	€ 28.475	€ 29.099	€ 29.717	€ 30.333	€ 31.217	€ 31.831	€ 35.605	€ 36.240	€ 2.423
800 cm	€ 13.408	€ 14.059	€ 14.925	€ 15.843	€ 19.144	€ 19.794	€ 20.448	€ 21.364	€ 22.228	€ 22.875	€ 23.615	€ 24.528	€ 27.364	€ 27.989	€ 29.091	€ 29.722	€ 30.351	€ 30.973	€ 31.866	€ 32.487	€ 36.382	€ 37.024	€ 2.522
850 cm	€ 13.696	€ 14.359	€ 15.234	€ 16.161	€ 19.579	€ 20.237	€ 20.901	€ 21.823	€ 22.695	€ 23.348	€ 24.101	€ 25.022	€ 27.975	€ 28.606	€ 29.720	€ 30.357	€ 30.991	€ 31.624	€ 32.524	€ 33.155	€ 37.167	€ 37.814	€ 2.621
900 cm	€ 13.987	€ 14.659	€ 15.539	€ 16.476	€ 20.014	€ 20.683	€ 21.352	€ 22.279	€ 23.161	€ 23.821	€ 24.582	€ 25.513	€ 28.580	€ 29.224	€ 30.348	€ 30.989	€ 31.631	€ 32.273	€ 33.178	€ 33.820	€ 37.951	€ 38.602	€ 2.718
950 cm	€ 14.272	€ 14.950	€ 15.841	€ 16.783	€ 20.444	€ 21.119	€ 21.793	€ 22.732	€ 23.621	€ 24.290	€ 25.057	€ 25.995	€ 29.188	€ 29.837	€ 30.966	€ 31.618	€ 32.266	€ 32.915	€ 33.829	€ 34.480	€ 38.727	€ 39.389	€ 2.817
1000 cm	€ 14.556	€ 15.241	€ 16.139	€ 17.090	€ 20.872	€ 21.552	€ 22.233	€ 23.181	€ 24.075	€ 24.755	€ 25.528	€ 26.471	€ 29.791	€ 30.446	€ 31.582	€ 32.244	€ 32.897	€ 33.551	€ 34.476	€ 35.136	€ 39.502	€ 40.173	€ 2.916
1050 cm	€ 15.005	€ 15.861	€ 16.801	€ 17.788	€ 21.724	€ 22.448	€ 23.304	€ 24.142	€ 25.226	€ 25.944	€ 26.757	€ 27.740	€ 31.211	€ 32.042	€ 33.082	€ 33.782	€ 34.615	€ 35.305	€ 36.269	€ 36.967	€ 41.487	€ 42.329	€ 3.015
1100 cm	€ 15.452	€ 16.479	€ 17.461	€ 18.488	€ 22.577	€ 23.342	€ 24.371	€ 25.101	€ 26.373	€ 27.130	€ 27.986	€ 29.006	€ 32.631	€ 33.635	€ 34.580	€ 35.318	€ 36.327	€ 37.058	€ 38.056	€ 38.793	€ 43.469	€ 44.480	€ 3.114
1150 cm	€ 15.750	€ 16.786	€ 17.775	€ 18.812	€ 23.017	€ 23.790	€ 24.830	€ 25.582	€ 26.846	€ 27.613	€ 28.473	€ 29.502	€ 33.246	€ 34.256	€ 35.318	€ 35.958	€ 36.973	€ 37.713	€ 38.718	€ 39.465	€ 44.256	€ 45.276	€ 3.212
1200 cm	€ 16.050	€ 17.096	€ 18.092	€ 19.135	€ 23.459	€ 24.239	€ 25.286	€ 26.064	€ 27.319	€ 28.095	€ 28.962	€ 30.002	€ 33.862	€ 34.876	€ 36.055	€ 36.600	€ 37.620	€ 38.369	€ 39.382	€ 40.138	€ 45.043	€ 46.074	€ 3.311
FS3	€ 234	€ 245	€ 267	€ 294	€ 318	€ 342	€ 367	€ 391	€ 415	€ 439	€ 565	€ 589	€ 613	€ 638	€ 664	€ 688	€ 712	€ 737	€ 761	€ 785	€ 810	€ 834	
FS5-A	€ 43	€ 54	€ 64	€ 73	€ 84	€ 93	€ 105	€ 114	€ 125	€ 135	€ 146	€ 155	€ 166	€ 176	€ 187	€ 196	€ 208	€ 217	€ 228	€ 237	€ 249	€ 258	
FS5-E	€ 59	€ 75	€ 88	€ 100	€ 116	€ 129	€ 144	€ 157	€ 173	€ 185	€ 201	€ 214	€ 229	€ 242	€ 257	€ 270	€ 286	€ 299	€ 314	€ 327	€ 342	€ 355	

FS3	Gutter System (For One Side)
FS5-A	Additional Fabric Support Profile (Standard)
FS5-E	Additional Fabric Support Profile (3 Axis)
FS4 FS10-C	Additional Rail for Compact Series- Al.- 75x120mm Additional Pillar for Compact Series- Al.- 80x80mm
FS8	Lighting System

FS8	
FS8-S	SPOT
FS8-L	LINEAR
FS8-LR (RGB)	LINEAR (RGB)

LED TYPE & MODULE		
2 LED	3 LED	4 LED
€ 132	€ 160	€ 189
€ 189	€ 245	
€ 240	€ 311	

Notes:

- Al. 80x130mm Side Beam is included in the price for right and left side.
- FS Flexy Plain/3D or Stam 6002 is included in the price.
- Motor and Remote control is included in the price.
- Palmiye Aluminium Coating Catalogue includes the standard colours with no extra cost. For any other type/brand/coulor of paint, price difference and additional delivery duration shall be checked from your customer representative.
- Standard fabric support profile plastic colours are specified in Palmiye Aluminium Coating Catalogue.
- If you use an additional rail you have to add a front pillar. It's included in the price. (FS4+FS10-C)
- The gutter option price is for one side and must be added separately for each side.
- In pergolas including steel front pillars, if gutter option is preferred, external water drainage points will be specified according to the Project and will be priced additionally.

DEDUCTIONS

Price deduction is applicable only for front & back pillars and side beam. Deduction amount shall be consider as 70% of related option price.

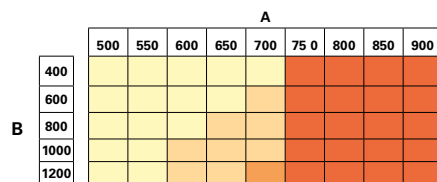
OPTIONS

FS10-C	Extra pillar (80x80mm Al.)	€ 392	pcs
FS10	Extra pillar (100x100mm Al.)	€ 532	pcs
FS10-ST3	Extra pillar (100x100x3mm St.)	€ 510	pcs
FS10-ST5	Extra pillar (100x100x5mm St.)	€ 744	pcs
FS11	Deco ceiling cover	€ 70	m ²
FS15-C	Side beam pillar (80x80mm - Al)	€ 392	pcs
FS19	Fix louver	€ 73	lm
FS23	External Square Downpipe	€ 326	pcs
FS24	W96 Ceiling Cover	€ 81	m ²
FS26	Exclusive fabric difference (up to 800cm width)	€ 48	m ²
FS29-1	Sun Sensor (SUNIS) (for single motor)	€ 604	pcs
FS29-1S	Sun Sensor (SUNIS) (for synchronized motor)	€ 962	pcs
FS29-2	Wind Sensor (EOLIS RTS) (for single motor)	€ 284	pcs
FS29-2S	Wind Sensor (EOLIS RTS) (for synchronized motor)	€ 639	pcs
FS29-3	Sun and Wind Sensor (SOLIRIS RTS) (for single motor)	€ 322	pcs
FS29-3S	Sun and Wind Sensor (SOLIRIS RTS) (for synchronized motor)	€ 676	pcs
FS29-4 ^{2/3}	Rain Sensor (ONDEIS) (for single motor)	€ 558	pcs
FS29-4S ^{2/3}	Rain Sensor (ONDEIS) (for synchronized motor)	€ 912	pcs
FS30	CONNEXOON	€ 510	pcs

Notes:

1. Fabric support profiles can be painted in the same color as the general construction. No fee is paid for this process. However, the plastic color should be specified from our standard plastic colours in Palmiye Color Chart.
2. For one product, a dry contact transmitter costing 358€, must be added.
3. Up to 5 products, a RS485 Automation interface dry contact transmitter costing 1094€, must be added.

BACK PILLAR POSITION CHANGE



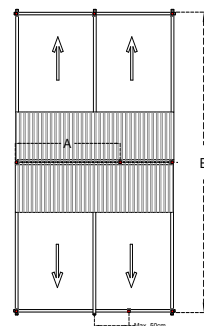
BACK PILLAR	: Al. 100x100x3mm
BACK BEAM	: Al. 100x150x3mm
BACK PILLAR	: St. 100x100x5mm
BACK BEAM	: St. 100x150x5mm
BACK PILLAR	: St. 100x100x3mm
BACK BEAM	: St. 100x150x3mm
BACK PILLAR	: St. 100x100x5mm
BACK BEAM	: St. 100x200x5mm

* Price difference needs to be added.
(The deflection doesn't evaluate on this chart)

EXTENSIONS

Rail	Compact - 75x120mm	€ 200	lm
Beam	Al. 80x130mm	€ 96	lm
Beam	Al. 100x150mm	€ 151	lm
Beam	St. 100x150x3mm	€ 310	lm
Beam	St. 100x150x5mm	€ 377	lm
Beam	St. 100x200x3mm	€ 315	lm
Beam	St. 100x200x5mm	€ 449	lm
Fabric protection cover	Al. - 63x__cm	€ 59	m ²
Gutter	Special Profile	€ 44	lm
Pillar	Al. 80x80mm	€ 85	lm
Pillar	Al. 100x100mm	€ 168	lm
Pillar	St. 100x100x3mm	€ 211	lm
Pillar	St. 100x100x5mm	€ 377	lm
Pillar	St. 150x150x3mm	€ 427	lm
Pillar	St. 150x150x5mm	€ 598	lm

*Max. Al. Front pillar (Al. 80x80mm) height is 280cm
*Max. St 3mm. Front pillar (St. 100x100x3mm) height is 380cm
*Max. St. 5mm Front pillar (St. 100x100x5mm) height is 480cm



Middle front pillars can only be moved max. 50 cm towards right or left side.

STANDARD CONSTRUCTION

WIDTH

PROJECTION	WIDTH														
	450	500	550	600	650	700	750	800	850	900	950	1000	1100	1200	1300
400															
600															
800															
900															
1000															
1100															
1200															

BACK PILLAR	: Al. 100x100x3mm
BACK BEAM	: Al. 100x150x3mm

(in price included)

PRICE DIFFERENCE

BEAM GROUP

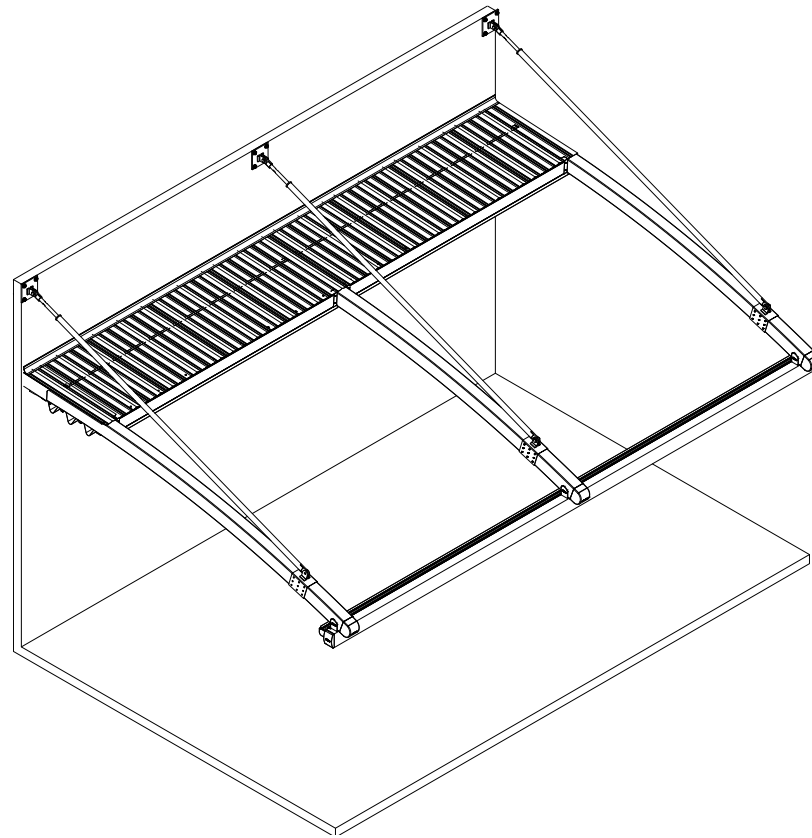
	Standard	Al. 100x150mm	
	to		St. 100x150x3mm
		St. 100x150x5mm	€ 231 lm
		St. 100x200x3mm	€ 160 lm
		St. 100x200x5mm	€ 302 lm

	Standard	Al. 80x130mm	
	to		Al. 100x150mm
		St. 100x150x3mm	€ 227 lm
		St. 100x150x5mm	€ 304 lm
		St. 100x200x3mm	€ 232 lm
		St. 100x200x5mm	€ 374 lm

PILLAR GROUP

	Standard	Al. 100x100mm	
	to		St. 100x100x3mm
		St. 100x100x5mm	€ 443 pcs
		St. 150x150x3mm	€ 677 pcs
		St. 150x150x5mm	€ 1.197 pcs

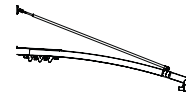
	Standard	Al. 80x80mm	
	to		Al. 100x100mm
		St. 100x100x3mm	€ 288 pcs
		St. 100x100x5mm	€ 623 pcs
		St. 150x150x3mm	€ 856 pcs
		St. 150x150x5mm	€ 1.376 pcs



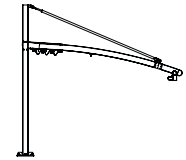
CORAL HANGING

PRODUCT FORMS

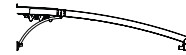
- **Coral Hanging** Wall / Ceiling



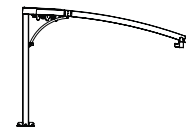
- **Coral Hanging** Freestanding



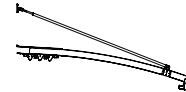
- **Coral Hanging** Wall / Ceiling Installation - Buttress



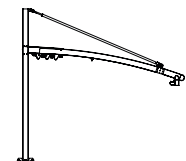
- **Coral Hanging** Freestanding - Buttress



- **Coral Compact Hanging** Wall / Ceiling



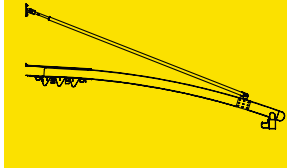
- **Coral Compact Hanging** Freestanding



CORAL

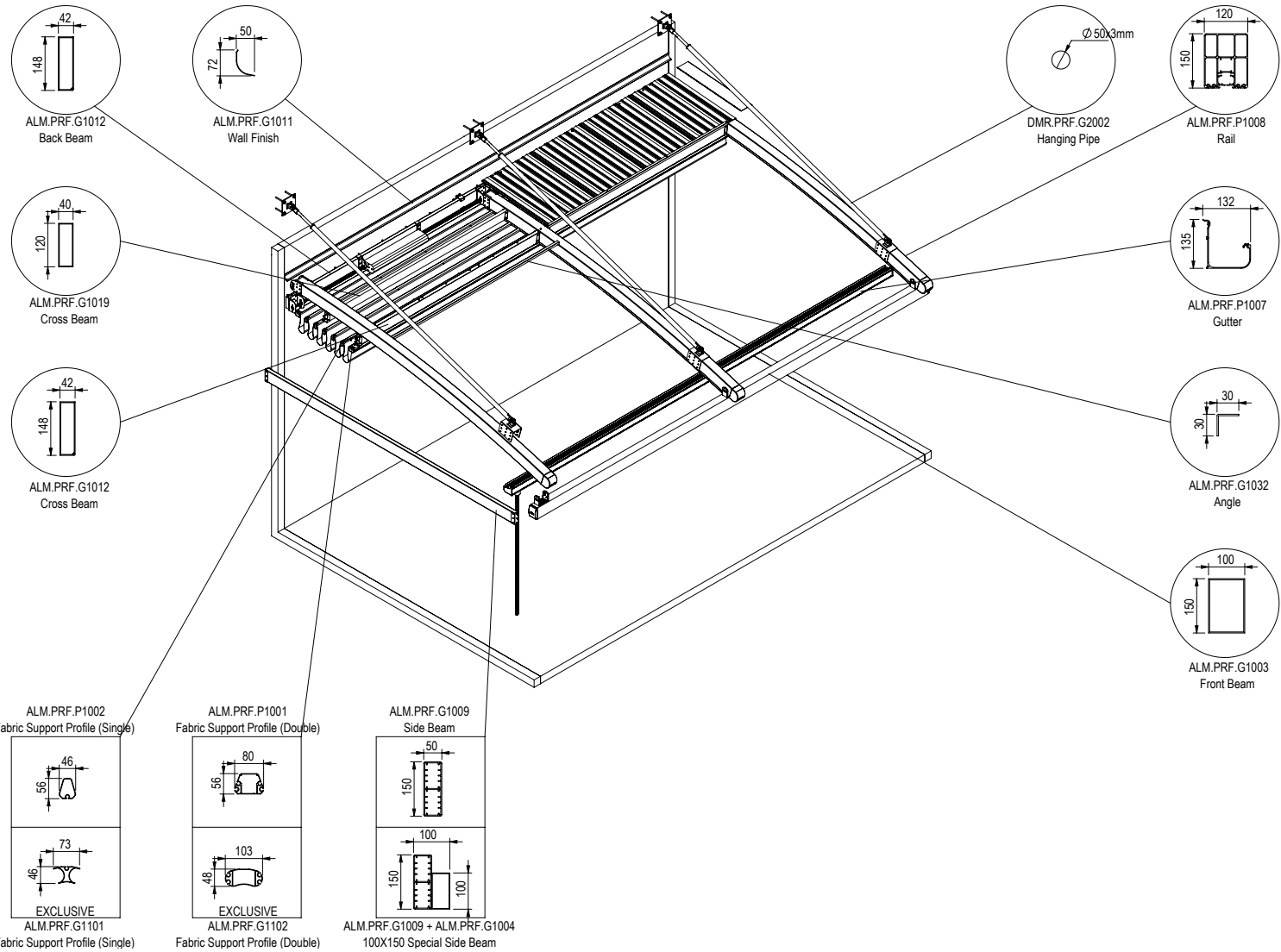
Hanging

Wall / Ceiling



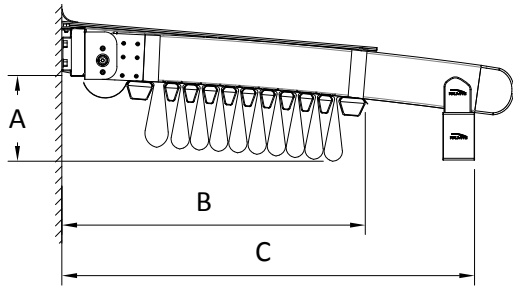
MAXIMUM DIMENSIONS

	WIDTH	PROJECTION
2 RAILS	400 cm	600 cm
3 RAILS	800 cm	600 cm
4 RAILS	1200 cm	600 cm
5 RAILS	1300 cm	600 cm



TECHNICAL FEATURES

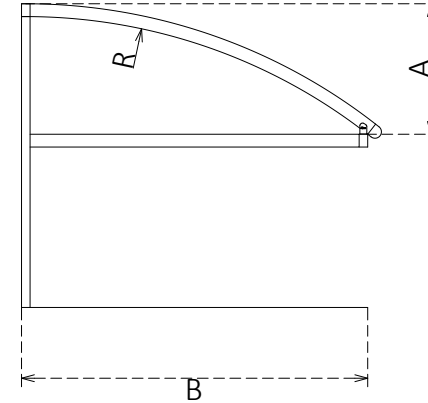
COLLECTED FABRIC DIMENSIONS



RADIUS CHART

RADIUS	850	1500	2850
B	A		
250	63		
300	83		
350	107		
400	135	82	
450	168	98	
500		116	
550		137	
600		160	93

*The values are approx. ± 5 cm



No of Fabric Support Profiles	Projection cm										C
	200	250	300	350	400	450	500	550	600		
5	30										68
6		31									74
7			32								81
9				34							94
10					35						100
11						36					107
13							38				120
14								39			126
15									40		133

*Calculated according to a slope of 15%

DRAINAGE CALCULATION

Type	Max. m ²
Full	39 m ² /pc

* per drainage

There should be at least one drainage, each 8 m length gutter.

WIND RESISTANCE

PROJECTION (cm)	WIDTH (cm)																	
	450	500	550	600	650	700	750	800	850	900	950	1000	1050	1100	1150	1200	1250	1300
400	10	10	10	9	9	9	8	8	8	7	9	9	9	8	8	8	8	7
450	10	9	8	8	8	8	7	7	7	7	8	8	8	7	7	7	7	7
500	9	8	7	7	7	7	6	6	6	6	7	7	7	6	6	6	6	6
550	8	7	7	7	7	6	6	6	6	6	7	6	6	6	6	6	6	6
600	7	6	6	6	6	5	5	5	5	5	6	5	5	5	5	5	5	5

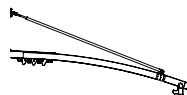
*The values are given according to the Beaufort scale.

**Calculated for Products with a front height of 250 cm according to Eurocode EN 1991-1-4 Terrain Category 4.

*** You can ask for new calculations for special designs.

All sides open

CORAL Hanging Wall / Ceiling



Projection	Width	2 RAILS				3 RAILS								4 RAILS								5 RAILS		FS4	FS9	FS9-S
		250 cm	300 cm	350 cm	400 cm	450 cm	500 cm	550 cm	600 cm	650 cm	700 cm	750 cm	800 cm	850 cm	900 cm	950 cm	1000 cm	1050 cm	1100 cm	1150 cm	1200 cm	1250 cm	1300 cm			
200 cm		€ 8.132	€ 8.536	€ 9.312	€ 9.721	€ 11.483	€ 11.885	€ 12.294	€ 12.696	€ 13.474	€ 13.881	€ 14.357	€ 14.759	€ 16.168	€ 16.561	€ 17.321	€ 17.712	€ 18.099	€ 18.490	€ 18.875	€ 19.266	€ 21.510	€ 22.119	€ 1.152	€ 236	€ 313
250 cm		€ 8.569	€ 9.189	€ 9.776	€ 10.196	€ 12.141	€ 12.556	€ 13.188	€ 13.601	€ 14.188	€ 14.603	€ 15.094	€ 15.721	€ 17.308	€ 17.717	€ 18.283	€ 18.685	€ 19.301	€ 19.703	€ 20.104	€ 20.508	€ 22.935	€ 23.555	€ 1.272	€ 284	€ 391
300 cm		€ 9.243	€ 9.936	€ 10.585	€ 11.065	€ 13.252	€ 13.734	€ 14.427	€ 14.908	€ 15.556	€ 16.037	€ 16.590	€ 17.285	€ 19.114	€ 19.577	€ 20.215	€ 20.679	€ 21.355	€ 21.819	€ 22.290	€ 22.759	€ 25.421	€ 26.110	€ 1.391	€ 333	€ 469
350 cm		€ 9.901	€ 10.399	€ 11.059	€ 11.765	€ 14.141	€ 14.634	€ 15.130	€ 15.836	€ 16.501	€ 16.994	€ 17.563	€ 18.268	€ 20.286	€ 20.768	€ 21.617	€ 22.104	€ 22.586	€ 23.066	€ 23.753	€ 24.235	€ 27.088	€ 27.584	€ 1.511	€ 381	€ 548
400 cm		€ 10.354	€ 10.863	€ 11.539	€ 12.256	€ 14.823	€ 15.332	€ 15.846	€ 16.561	€ 17.239	€ 17.748	€ 18.328	€ 19.044	€ 21.259	€ 21.752	€ 22.619	€ 23.115	€ 23.613	€ 24.106	€ 24.811	€ 25.302	€ 28.351	€ 28.860	€ 1.631	€ 430	€ 626
450 cm		€ 10.818	€ 11.343	€ 12.032	€ 12.765	€ 15.521	€ 16.046	€ 16.572	€ 17.299	€ 17.994	€ 18.514	€ 19.112	€ 19.844	€ 22.243	€ 22.752	€ 23.635	€ 24.144	€ 24.653	€ 25.162	€ 25.879	€ 26.388	€ 29.626	€ 30.146	€ 1.750	€ 479	€ 704
500 cm		€ 11.274	€ 11.810	€ 12.516	€ 13.259	€ 16.212	€ 16.748	€ 17.286	€ 18.030	€ 18.734	€ 19.272	€ 19.881	€ 20.624	€ 23.224	€ 23.744	€ 24.641	€ 25.166	€ 25.686	€ 26.206	€ 26.939	€ 27.464	€ 30.893	€ 31.429	€ 1.870	€ 527	€ 782
550 cm		€ 11.730	€ 12.278	€ 12.999	€ 13.754	€ 16.903	€ 17.450	€ 18.001	€ 18.761	€ 19.474	€ 20.030	€ 20.650	€ 21.404	€ 24.206	€ 24.737	€ 25.646	€ 26.188	€ 26.719	€ 27.250	€ 27.999	€ 28.540	€ 32.160	€ 32.713	€ 1.990	€ 576	€ 860
600 cm		€ 12.187	€ 12.745	€ 13.483	€ 14.248	€ 17.594	€ 18.152	€ 18.715	€ 19.492	€ 20.214	€ 20.788	€ 21.419	€ 22.184	€ 25.188	€ 25.730	€ 26.651	€ 27.210	€ 27.751	€ 28.293	€ 29.059	€ 29.617	€ 33.427	€ 33.996	€ 2.109	€ 625	€ 939
FS3		€ 234	€ 245	€ 267	€ 294	€ 318	€ 342	€ 367	€ 391	€ 415	€ 439	€ 565	€ 589	€ 613	€ 638	€ 664	€ 688	€ 712	€ 737	€ 761	€ 785	€ 810	€ 834			
FS5-A		€ 43	€ 54	€ 64	€ 73	€ 84	€ 93	€ 105	€ 114	€ 125	€ 135	€ 146	€ 155	€ 166	€ 176	€ 187	€ 196	€ 208	€ 217	€ 228	€ 237	€ 249	€ 258			
FS5-E		€ 59	€ 75	€ 88	€ 100	€ 116	€ 129	€ 144	€ 157	€ 173	€ 185	€ 201	€ 214	€ 229	€ 242	€ 257	€ 270	€ 286	€ 299	€ 314	€ 327	€ 342	€ 355			

FS3	Gutter System
FS5-A	Additional Fabric Support Profile (Standard)
FS5-E	Additional Fabric Support Profile (3 Axis)
FS4	Additional Rail - Al.Plus- 120x150mm
FS8	Lighting System
FS9	Side Beam - Al. - 50x150mm
FS9-S	Side Beam - Al. - 100x150mm (Special)

FS8	
FS8-S	SPOT
FS8-L	LINEAR
FS8-LR (RGB)	LINEAR (RGB)

LED TYPE & MODULE		
2 LED	3 LED	4 LED
€ 132	€ 160	€ 189
€ 189	€ 245	
€ 240	€ 311	

Notes:

1. Any Side Beam is not included in the price.
2. FS Flexy Plain/3D or Stam 6002 is included in the price.
3. Motor and Remote control is included in the price.
4. Palmiye Aluminium Coating Catalogue includes the standard colours with no extra cost. For any other type/brand/color of paint, price difference and additional delivery duration **shall be checked from your customer representative.**
5. Standard fabric support profile plastic colours are specified in Palmiye Aluminium Coating Catalogue.

OPTIONS

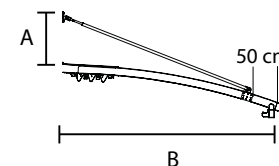
FS11	Deco ceiling cover	€ 70	m ²
FS15	Side beam pillar (50x100mm - Al)	€ 276	pcs
FS15-B	Side beam pillar (100x100mm - Al)	€ 532	pcs
FS19	Fix louver	€ 73	lm
FS24	W96 Ceiling Cover	€ 81	m ²
FS26	Exclusive fabric difference (up to 800cm width)	€ 48	m ²
FS28-1	Stainless steel chain - 100 cm	€ 77	1m
FS28-2	Stainless steel chain - 200 cm	€ 149	2m
FS28-3	Stainless steel chain - 300 cm	€ 217	3m
FS28-4	Stainless steel chain - 400 cm	€ 290	4m
FS29-1	Sun Sensor (SUNIS) (for single motor)	€ 604	pcs
FS29-1S	Sun Sensor (SUNIS) (for synchronized motor)	€ 962	pcs
FS29-2	Wind Sensor (EOLIS RTS) (for single motor)	€ 284	pcs
FS29-2S	Wind Sensor (EOLIS RTS) (for synchronized motor)	€ 639	pcs
FS29-3	Sun and Wind Sensor (SOLIRIS RTS) (for single motor)	€ 322	pcs
FS29-3S	Sun and Wind Sensor (SOLIRIS RTS) (for synchronized motor)	€ 676	pcs
FS29-42	Rain Sensor (ONDEIS) (for single motor)	€ 558	pcs
FS29-4S3	Rain Sensor (ONDEIS) (for synchronized motor)	€ 912	pcs
FS30	CONNEXOON	€ 510	pcs

EXTENSIONS

Rail	Plus - 120x150mm	€ 328	lm
Beam	Al. 42x150mm	€ 102	lm
Beam	Al. 50x150mm	€ 180	lm
Beam	Al. 100x150mm	€ 151	lm
Beam	St. 100x150x3mm	€ 310	lm
Beam	St. 100x150x5mm	€ 377	lm
Beam	St. 100x200x3mm	€ 315	lm
Beam	St. 100x200x5mm	€ 449	lm
Fabric protection cover	Al. - 63x__cm	€ 59	m ²
Gutter	Special Profile	€ 44	lm

PRICE DIFFERENCE

		BEAM GROUP	
Standard	Al. 42x150mm		
Back Beam to	Al. 50x150mm	€ 78	lm
	St. 5+0x150x3mm	€ 101	lm
	St. 50x150x5mm	€ 187	lm
	Al. 100x150mm	€ 47	lm
	St. 100x150x3mm	€ 204	lm
	St. 100x150x5mm	€ 277	lm
	St. 100x200x3mm	€ 209	lm
	St. 100x200x5mm	€ 349	lm



MINIMUM "A" VALUES

B (cm)	250	300	350	400	450	500	550	600
A (cm)	50	50	50	60	70	80	90	100

Upper values will be evaluated on a project basis.

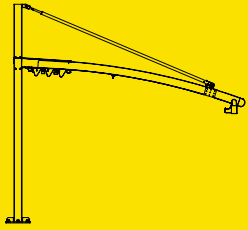
Notes:

1. Fabric support profiles can be painted in the same color as the general construction. No fee is paid for this process. However, the plastic color should be specified from our standard plastic colours in Palmiye Color Chart.
2. For one product, a dry contact transmitter costing 358€, must be added.
3. Up to 5 products, a RS485 Automation interface dry contact transmitter costing 1094€, must be added.

CORAL

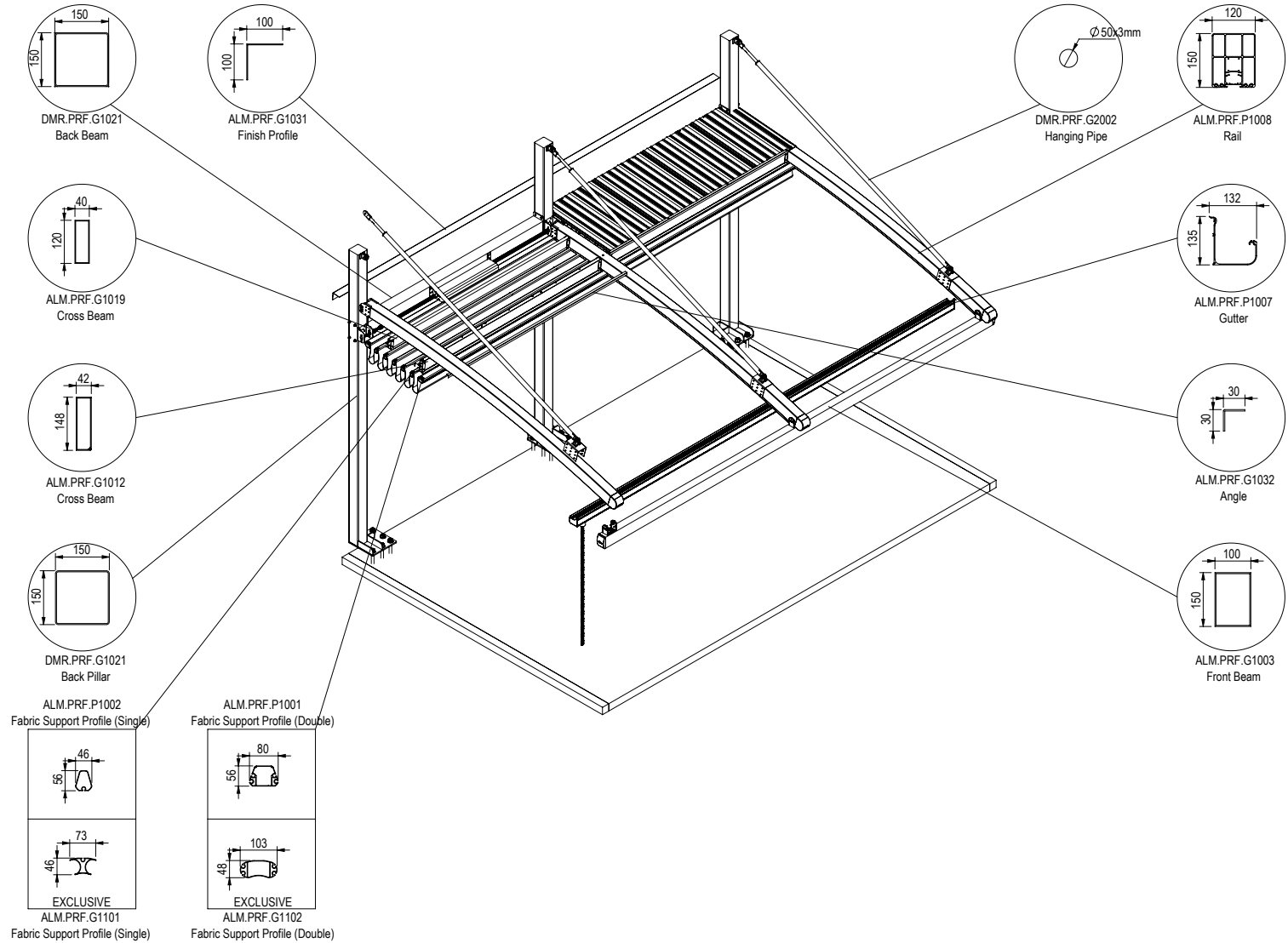
Hanging

Freestanding



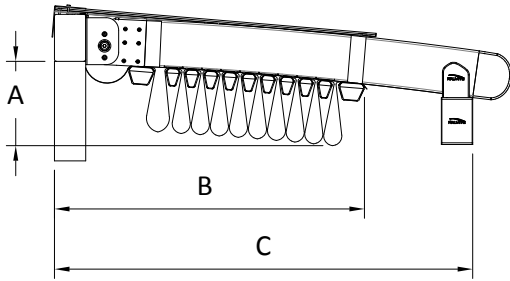
MAXIMUM DIMENSIONS

	WIDTH	PROJECTION
2 RAILS	400 cm	600 cm
3 RAILS	800 cm	600 cm
4 RAILS	1200 cm	600 cm
5 RAILS	1300 cm	600 cm



TECHNICAL FEATURES

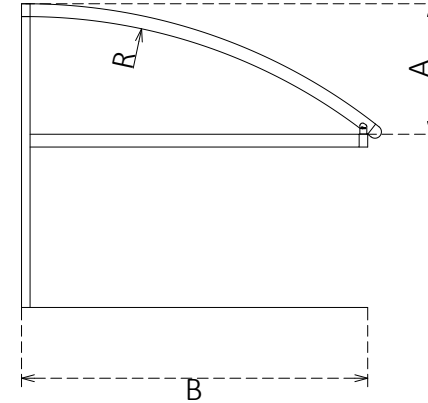
COLLECTED FABRIC DIMENSIONS



RADIUS CHART

RADIUS	850	1500	2850
B	A		
250	63		
300	83		
350	107		
400	135	82	
450	168	98	
500		116	
550		137	
600		160	93

*The values are approx. ± 5 cm



TILTED VERSION Projection cm

No of Fabric Support Profiles	200	250	300	350	400	450	500	550	600	C
5	31									73
6		32								79
7			33							86
9				35						99
10					36					105
11						37				112
13							39			125
14								40		131
15									41	138



*Calculated according to a slope of 15%

WIND RESISTANCE

PROJECTION (cm)	WIDTH																	
	450	500	550	600	650	700	750	800	850	900	950	1000	1050	1100	1150	1200	1250	1300
400	10	10	10	9	9	9	9	8	8	8	9	9	9	9	8	8	8	8
450	9	9	9	8	8	8	8	7	7	7	8	8	8	8	7	7	7	7
500	8	8	8	8	8	7	7	7	7	6	8	7	7	7	7	7	7	6
550	8	8	7	7	7	7	6	6	6	6	7	7	7	6	6	6	6	6
600	7	7	7	6	6	6	6	6	5	5	6	6	6	6	6	6	5	5

All sides open

*The values are given according to the Beaufort scale.

**Calculated for Products with a front height of 250 cm according to Eurocode EN 1991-1-4 Terrain Category 4.

*** You can ask for new calculations for special designs.

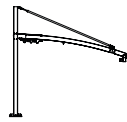
DRAINAGE CALCULATION

Type	Max. m ²
Full	39 m ² /pc

* per drainage

There should be at least one drainage, each 8 m length gutter.

CORAL Hanging Freestanding



Projection	2 RAILS				3 RAILS								4 RAILS								5 RAILS		FS4	FS9	FS9-S
	250 cm	300 cm	350 cm	400 cm	450 cm	500 cm	550 cm	600 cm	650 cm	700 cm	750 cm	800 cm	850 cm	900 cm	950 cm	1000 cm	1050 cm	1100 cm	1150 cm	1200 cm	1250 cm	1300 cm			
200 cm	€ 9.537	€ 9.941	€ 10.717	€ 11.126	€ 13.590	€ 13.992	€ 14.401	€ 14.803	€ 15.581	€ 15.988	€ 16.465	€ 16.866	€ 18.978	€ 19.370	€ 20.130	€ 20.521	€ 20.909	€ 21.299	€ 21.685	€ 22.076	€ 25.022	€ 25.631	€ 1.152	€ 236	€ 313
250 cm	€ 9.973	€ 10.593	€ 11.181	€ 11.601	€ 14.248	€ 14.663	€ 15.296	€ 15.708	€ 16.295	€ 16.710	€ 17.201	€ 17.828	€ 20.118	€ 20.527	€ 21.092	€ 21.494	€ 22.110	€ 22.512	€ 22.914	€ 23.318	€ 26.447	€ 27.067	€ 1.272	€ 284	€ 391
300 cm	€ 10.648	€ 11.341	€ 11.990	€ 12.470	€ 15.359	€ 15.841	€ 16.534	€ 17.015	€ 17.663	€ 18.144	€ 18.697	€ 19.392	€ 21.923	€ 22.387	€ 23.025	€ 23.488	€ 24.165	€ 24.628	€ 25.099	€ 25.568	€ 28.932	€ 29.621	€ 1.391	€ 333	€ 469
350 cm	€ 11.306	€ 11.804	€ 12.464	€ 13.170	€ 16.248	€ 16.741	€ 17.237	€ 17.943	€ 18.608	€ 19.101	€ 19.670	€ 20.375	€ 23.096	€ 23.578	€ 24.427	€ 24.914	€ 25.396	€ 25.876	€ 26.563	€ 27.045	€ 30.600	€ 31.096	€ 1.511	€ 381	€ 548
400 cm	€ 11.759	€ 12.268	€ 12.944	€ 13.660	€ 16.930	€ 17.439	€ 17.954	€ 18.668	€ 19.346	€ 19.855	€ 20.435	€ 21.152	€ 24.068	€ 24.561	€ 25.428	€ 25.925	€ 26.423	€ 26.916	€ 27.621	€ 28.112	€ 31.863	€ 32.372	€ 1.631	€ 430	€ 626
450 cm	€ 12.358	€ 12.911	€ 13.627	€ 14.387	€ 17.873	€ 18.425	€ 18.978	€ 19.732	€ 20.454	€ 21.001	€ 21.626	€ 22.386	€ 25.514	€ 26.050	€ 26.961	€ 27.497	€ 28.033	€ 28.569	€ 29.313	€ 29.849	€ 33.817	€ 34.364	€ 1.750	€ 479	€ 704
500 cm	€ 12.814	€ 13.378	€ 14.111	€ 14.881	€ 18.563	€ 19.127	€ 19.692	€ 20.463	€ 21.194	€ 21.759	€ 22.395	€ 23.166	€ 26.495	€ 27.043	€ 27.966	€ 28.519	€ 29.066	€ 29.613	€ 30.373	€ 30.925	€ 35.084	€ 35.647	€ 1.870	€ 527	€ 782
550 cm	€ 13.271	€ 13.845	€ 14.594	€ 15.376	€ 19.254	€ 19.829	€ 20.407	€ 21.194	€ 21.934	€ 22.517	€ 23.164	€ 23.946	€ 27.477	€ 28.035	€ 28.971	€ 29.540	€ 30.098	€ 30.656	€ 31.433	€ 32.002	€ 36.351	€ 36.931	€ 1.990	€ 576	€ 860
600 cm	€ 13.727	€ 14.312	€ 15.078	€ 15.870	€ 19.945	€ 20.530	€ 21.121	€ 21.925	€ 22.674	€ 23.275	€ 23.933	€ 24.726	€ 28.459	€ 29.028	€ 29.977	€ 30.562	€ 31.131	€ 31.700	€ 32.493	€ 33.078	€ 37.618	€ 38.214	€ 2.109	€ 625	€ 939
FS3	€ 234	€ 245	€ 267	€ 294	€ 318	€ 342	€ 367	€ 391	€ 415	€ 439	€ 565	€ 589	€ 613	€ 638	€ 664	€ 688	€ 712	€ 737	€ 761	€ 785	€ 810	€ 834			
FS5-A	€ 43	€ 54	€ 64	€ 73	€ 84	€ 93	€ 105	€ 114	€ 125	€ 135	€ 146	€ 155	€ 166	€ 176	€ 187	€ 196	€ 208	€ 217	€ 228	€ 237	€ 249	€ 258			
FS3-E	€ 59	€ 75	€ 88	€ 100	€ 116	€ 129	€ 144	€ 157	€ 173	€ 185	€ 201	€ 214	€ 229	€ 242	€ 257	€ 270	€ 286	€ 299	€ 314	€ 327	€ 342	€ 355			

FS3	Gutter System
FS5-A	Additional Fabric Support Profile (Standard)
FS5-E	Additional Fabric Support Profile (3 Axis)
FS4	Additional Rail - Al.Plus- 120x150mm
FS8	Lighting System
FS9	Side Beam - Al.- 50x150mm
FS9-S	Side Beam - Al.- 100x150mm (Special)

FS8	
FS8-S	SPOT
FS8-L	LINEAR
FS8-LR (RGB)	LINEAR (RGB)

LED TYPE & MODULE		
2 LED	3 LED	4 LED
€ 132	€ 160	€ 189
€ 189	€ 245	
€ 240	€ 311	

Notes:

- Any Side Beam is not included in the price.
- FS Flexy Plain/3D or Stam 6002 is included in the price.
- Motor and Remote control is included in the price.
- Palmye Aluminium Coating Catalogue includes the standard colours with no extra cost. For any other type/brand/color of paint, price difference and additional delivery duration shall be checked from your customer representative.
- Standard fabric support profile plastic colours are specified in Palmye Aluminium Coating Catalogue.
- In pergolas including steel front pillars, if gutter option is preferred, external water drainage points will be specified according to the Project and will be priced additionally.

DEDUCTIONS

Price deduction is applicable only for back pillars and back beam. Deduction amount shall be consider as 70% of related option price.

OPTIONS

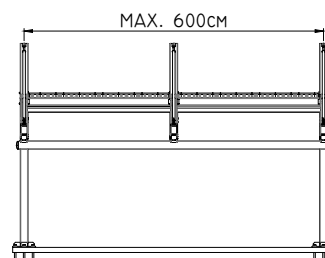
FS10-150ST3	Extra pillar (150x150x3mm St.)	€ 952	pcs
FS10-150ST5	Extra pillar (150x150x5mm St.)	€ 1.331	pcs
FS10-150ST5-H	Extra Half pillar (150x150x5mm St.)	€ 160	pcs
FS11	Deco ceiling cover	€ 70	m ²
FS15	Side beam pillar (50x100mm - Al)	€ 276	pcs
FS15-B	Side beam pillar (100x100mm - Al)	€ 532	pcs
FS19	Fix louver	€ 73	lm
FS24	W96 Ceiling Cover	€ 81	m ²
FS26	Exclusive fabric difference (up to 800cm width)	€ 48	m ²
FS28-1	Stainless steel chain - 100 cm	€ 77	1m
FS28-2	Stainless steel chain - 200 cm	€ 149	2m
FS28-3	Stainless steel chain - 300 cm	€ 217	3m
FS28-4	Stainless steel chain - 400 cm	€ 290	4m
FS29-1	Sun Sensor (SUNIS) (for single motor)	€ 604	pcs
FS29-1S	Sun Sensor (SUNIS) (for synchronized motor)	€ 962	pcs
FS29-2	Wind Sensor (EOLIS RTS) (for single motor)	€ 284	pcs
FS29-2S	Wind Sensor (EOLIS RTS) (for synchronized motor)	€ 639	pcs
FS29-3	Sun and Wind Sensor (SOLIRIS RTS) (for single motor)	€ 322	pcs
FS29-3S	Sun and Wind Sensor (SOLIRIS RTS) (for synchronized motor)	€ 676	pcs
FS29-42	Rain Sensor (ONDEIS) (for single motor)	€ 558	pcs
FS29-4S3	Rain Sensor (ONDEIS) (for synchronized motor)	€ 912	pcs
FS30	CONNEXOON	€ 510	pcs

Notes:

1. Fabric support profiles can be painted in the same color as the general construction. No fee is paid for this process. However, the plastic color should be specified from our standard plastic colours in Palmiye Color Chart.
2. For one product, a dry contact transmitter costing 358€, must be added.
3. Up to 5 products, a RS485 Automation interface dry contact transmitter costing 1094€, must be added.

EXTENSIONS

Rail	Plus - 120x150mm	€ 328	lm
Beam	Al. 42x150mm	€ 102	lm
Beam	Al. 50x150mm	€ 180	lm
Beam	Al. 100x150mm	€ 151	lm
Beam	St. 100x150x3mm	€ 310	lm
Beam	St. 100x150x5mm	€ 377	lm
Beam	St. 100x200x3mm	€ 315	lm
Beam	St. 100x200x5mm	€ 449	lm
Fabric protection cover	Al. - 63x__cm	€ 59	m ²
Gutter	Special Profile	€ 44	lm



- The front beam can not be produced in steel.
- Ground flanges are 380x380x15 mm.
- When pillar reduction is applied, half pillar must be installed at the back of each rail shaft, and steel back pillars and back beam should be 150x150 mm.
- In condition of adding an additional rail, a steel 150x150 mm back pillar should also be added.

PRICE DIFFERENCE

Pillar	PILLAR GROUP		
	Standard	St. 150x150x3mm	St. 150x150x5mm
to		€ 520	pcs

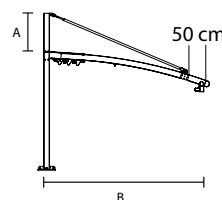
STANDARD CONSTRUCTION

PROJECTION	WIDTH																						
	250	300	350	400	450	500	550	600	650	700	750	800	850	900	950	1000	1050	1100	1150	1200	1250	1300	
200 cm																							
250 cm																							
300 cm																							
350 cm																							
400 cm																							
450 cm																							
500 cm																							
550 cm																							
600 cm																							

Pillars & Back Beam
 150x150x3mm Steel
 150x150x5mm Steel

* In case of reducing middle pillars, distance between the pillars can be maximum 600 cm.

** Steel with a wall thickness of 5 mm must be used in all cases where the pillar is reduced.



MINIMUM "A" VALUES

B (cm)	250	300	350	400	450	500	550	600
A (cm)	50	50	50	60	70	80	90	100

Upper values will be evaluated on a project basis.

- Max. pillar length: 480 cm

CORAL

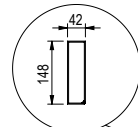
Hanging

Wall / Ceiling with Buttress

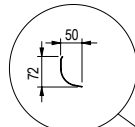


MAXIMUM DIMENSIONS

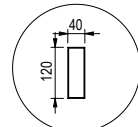
	WIDTH	PROJECTION
2 RAILS	400 cm	400 cm



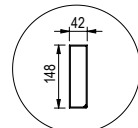
ALM.PRF.G1012
Back Beam



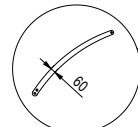
ALM.PRF.G1011
Wall Finish



ALM.PRF.G1019
Cross Beam

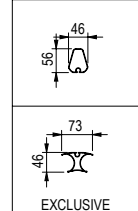


ALM.PRF.G1012
Cross Beam



DMR.APR.P1125
Rail Support Steel

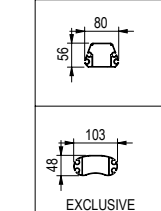
ALM.PRF.P1002
Fabric Support Profile (Single)



EXCLUSIVE
ALM.PRF.G1101

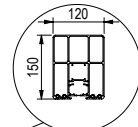
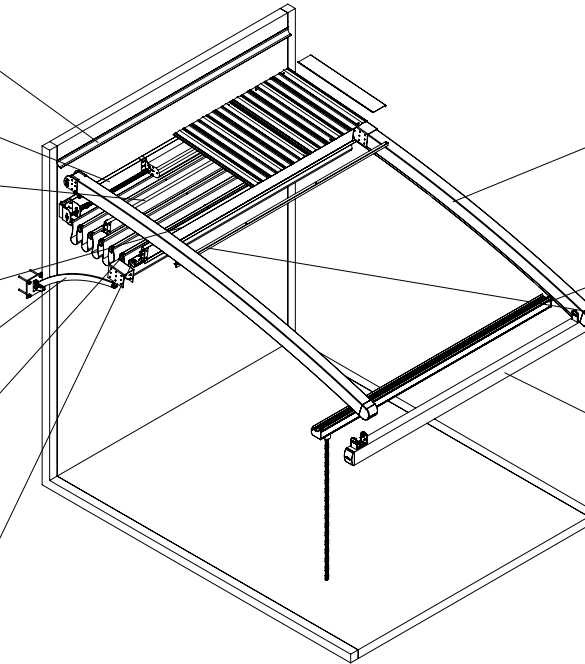
Fabric Support Profile (Single)

ALM.PRF.P1001
Fabric Support Profile (Double)

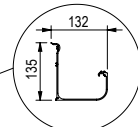


EXCLUSIVE
ALM.PRF.G1102

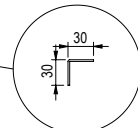
Fabric Support Profile (Double)



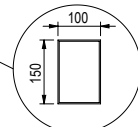
ALM.PRF.P1008
Rail



ALM.PRF.P1007
Gutter



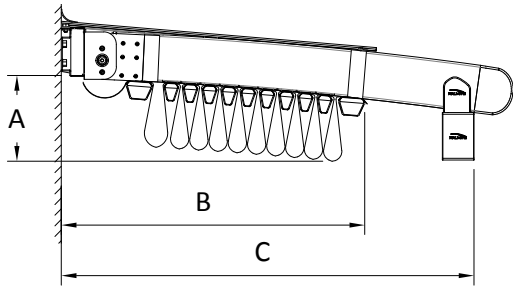
ALM.PRF.G1032
Angle



ALM.PRF.G1003
Front Beam

TECHNICAL FEATURES

COLLECTED FABRIC DIMENSIONS



No of Fabric Support Profiles	Projection cm					C
	200	250	300	350	400	
5	30					68
6		31				74
7			32			81
9				34		94
10					35	100

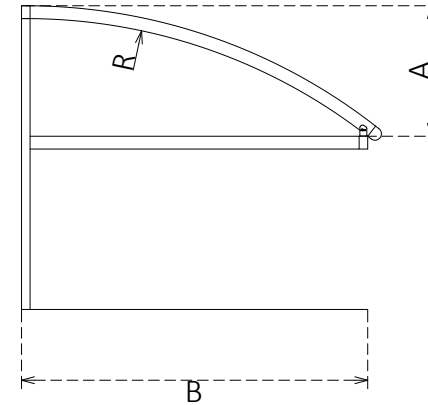
← A → B

*Calculated according to a slope of 15%

RADIUS CHART

RADIUS	R850	R1500
Projection	A	
250	63	
300	83	
350	107	
400	135	82

*The values are approx. ± 5 cm



WIND RESISTANCE

PROJECTION (cm)	WIDTH (cm)			
	250	300	350	400
200	11	11	11	11
250	11	11	11	11
300	11	11	11	11
350	11	11	10	10
400	10	10	10	9

All sides open

*The values are given according to the Beaufort scale.

**Calculated for Products with a front height of 250 cm according to Eurocode EN 1991-1-4 Terrain Category 4.

*** You can ask for new calculations for special designs.

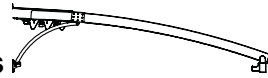
DRAINAGE CALCULATION

Type	Max. m ²
Full	39 m ² /pc

* per drainage

There should be at least one drainage, each 8 m length gutter.

CORAL Hanging Wall / Ceiling with Buttress



Projection	Width			
	2 RAILS			
	250 cm	300 cm	350 cm	400 cm
200 cm	€ 8.132	€ 8.536	€ 9.312	€ 9.721
250 cm	€ 8.569	€ 9.189	€ 9.776	€ 10.196
300 cm	€ 9.243	€ 9.936	€ 10.585	€ 11.065
350 cm	€ 9.901	€ 10.399	€ 11.059	€ 11.765
400 cm	€ 10.354	€ 10.863	€ 11.539	€ 12.256

FS3	€ 234	€ 245	€ 267	€ 294
FS5-A	€ 43	€ 54	€ 64	€ 73
FS5-E	€ 59	€ 75	€ 88	€ 100

FS3	Gutter System
FS5-A	Additional Fabric Support Profile (Standard)
FS5-E	Additional Fabric Support Profile (3 Axis)
FS8	Lighting System

FS8	
FS8-S	SPOT
FS8-L	LINEAR
FS8-LR (RGB)	LINEAR (RGB)

LEDTYPE & MODULE		
2 LED	3 LED	4 LED
€ 132	€ 160	€ 189
€ 189	€ 245	
€ 240	€ 311	

Notes:

1. Any Side Beam is not included in the price.
2. Modules can not be combined.
3. FS Flexy Plain/3D or Stam 6002 is included in the price.
4. Motor and Remote control is included in the price.
5. Palmiye Aluminium Coating Catalogue includes the standard colours with no extra cost. For any other type/brand/color of paint, price difference and additional delivery duration shall be checked from your customer representative.
6. Standard fabric support profile plastic colours are specified in Palmiye Aluminium Coating Catalogue.

OPTIONS

FS11	Deco ceiling cover	€ 70	m ²
FS19	Fix louver	€ 73	1m
FS24	W96 Ceiling Cover	€ 81	m ²
FS26	Exclusive fabric difference (up to 800cm width)	€ 48	m ²
FS28-1	Stainless steel chain - 100 cm	€ 77	1m
FS28-2	Stainless steel chain - 200 cm	€ 149	2m
FS28-3	Stainless steel chain - 300 cm	€ 217	3m
FS28-4	Stainless steel chain - 400 cm	€ 290	4m
FS29-1	Sun Sensor (SUNIS) (for single motor)	€ 604	pcs
FS29-2	Wind Sensor (EOLIS RTS) (for single motor)	€ 284	pcs
FS29-3	Sun and Wind Sensor (SOLIRIS RTS) (for single motor)	€ 322	pcs
FS29-42	Rain Sensor (ONDEIS) (for single motor)	€ 558	pcs
FS30	CONNEXOON	€ 510	pcs

Notes:

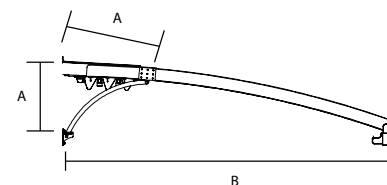
1. Fabric support profiles can be painted in the same color as the general construction. No fee is paid for this process. However, the plastic color should be specified from our standard plastic colours in Palmiye Color Chart.
2. For one product, a dry contact transmitter costing 358€, must be added.
3. Up to 5 products, a RS485 Automation interface dry contact transmitter costing 1094€, must be added.

EXTENSIONS

Rail	Plus - 120x150mm	€ 328	1m
Beam	Al. 42x150mm	€ 102	1m
Beam	Al. 50x150mm	€ 180	1m
Beam	Al. 100x150mm	€ 151	1m
Beam	St. 100x150x3mm	€ 310	1m
Beam	St. 100x150x5mm	€ 377	1m
Beam	St. 100x200x3mm	€ 315	1m
Beam	St. 100x200x5mm	€ 449	1m
Fabric protection cover	Al. - 63x___cm	€ 59	m ²
Gutter	Special Profile	€ 44	1m

PRICE DIFFERENCE

BEAM GROUP			
Standard	Al. 42x150mm		
Back Beam to	Al. 50x150mm	€ 78	1m
	St. 50x150x3mm	€ 101	1m
	St. 50x150x5mm	€ 187	1m
	Al. 100x150mm	€ 47	1m
	St. 100x150x3mm	€ 204	1m
	St. 100x150x5mm	€ 277	1m
	St. 100x200x3mm	€ 209	1m
	St. 100x200x5mm	€ 349	1m



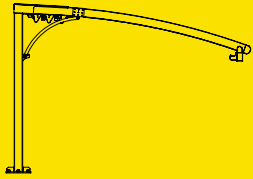
STANDARD "A" VALUES

B (cm)	250	300	350	400
A (cm)	70	80	90	100

CORAL

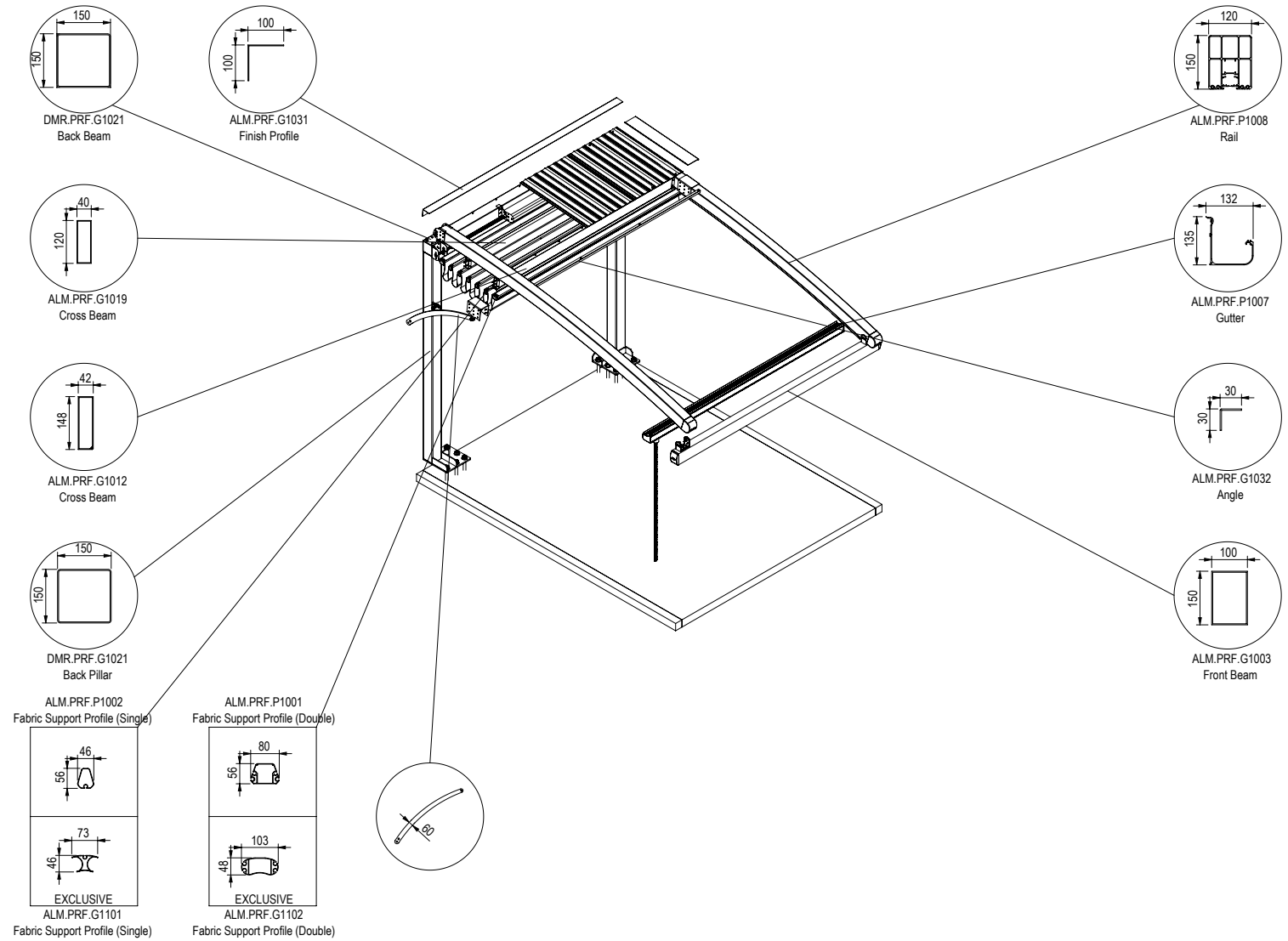
Hanging

Freestanding with Buttress



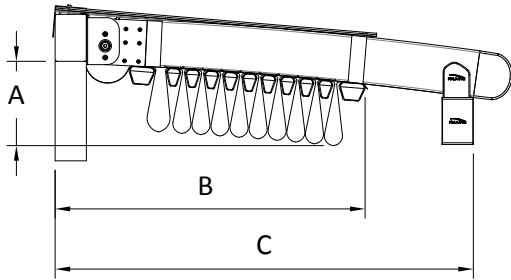
MAXIMUM DIMENSIONS

	WIDTH	PROJECTION
2 RAILS	400 cm	400 cm



TECHNICAL FEATURES

COLLECTED FABRIC DIMENSIONS



No of Fabric Support Profiles	Projection cm					C
	200	250	300	350	400	
5	31					73
6		32				79
7			33			86
9				35		99
10					36	105

← **A** → **B**

*Calculated according to a slope of 15%

DRAINAGE CALCULATION

Type	Max. m ²
Full	39 m ² /pc

* per drainage

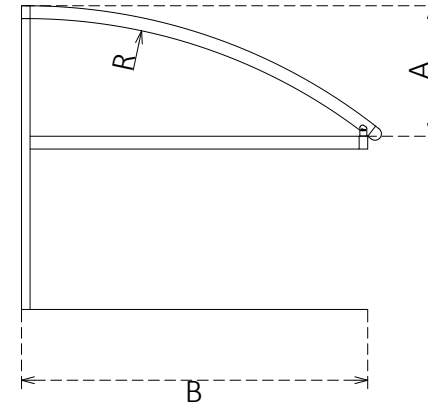
There should be at least one drainage, each 8 m length gutter.

RADIUS CHART

RADIUS	850	1500
--------	-----	------

B	A		B
250	63		
300	83		
350	107		
400	135	82	

*The values are approx. ± 5 cm



WIND RESISTANCE

PROJECTION (cm)	WIDTH (cm)			
	250	300	350	400
200	11	11	11	11
250	11	11	11	11
300	11	11	11	11
350	11	11	10	10
400	10	10	10	9

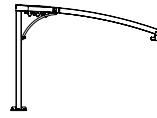
All sides open

*The values are given according to the Beaufort scale.

**Calculated for Products with a front height of 250 cm according to Eurocode EN 1991-1-4 Terrain Category 4.

*** You can ask for new calculations for special designs.

CORAL Hanging Freestanding with Buttress



Projection	Width			
	2 RAILS			
	250 cm	300 cm	350 cm	400 cm
200 cm	€ 9.537	€ 9.941	€ 10.717	€ 11.126
250 cm	€ 9.973	€ 10.593	€ 11.181	€ 11.601
300 cm	€ 10.648	€ 11.341	€ 11.990	€ 12.470
350 cm	€ 11.306	€ 11.804	€ 12.464	€ 13.170
400 cm	€ 11.759	€ 12.268	€ 12.944	€ 13.660
FS3	€ 234	€ 245	€ 267	€ 294
FS5	€ 43	€ 54	€ 64	€ 73
FS5-B	€ 59	€ 75	€ 88	€ 100

FS3	Gutter System
FS5-A	Additional Fabric Support Profile (Standard)
FS5-E	Additional Fabric Support Profile (3 Axis)
FS8	Lighting System

FS8	
FS8-S	SPOT
FS8-L	LINEAR
FS8-LR (RGB)	LINEAR (RGB)

LEDTYPE & MODULE		
2 LED	3 LED	4 LED
€ 132	€ 160	€ 189
€ 189	€ 245	
€ 240	€ 311	

Notes:

1. Any Side Beam is not included in the price.
2. Modules can not be combined.
3. FS Flexy Plain/3D or Stam 6002 is included in the price.
4. Motor and Remote control is included in the price.
5. Palmiye Aluminium Coating Catalogue includes the standard colours with no extra cost. For any other type/brand/color of paint, price difference and additional delivery duration shall be checked from your customer representative.
6. Standard fabric support profile plastic colours are specified in Palmiye Aluminium Coating Catalogue.
7. In pergolas including steel front pillars, if gutter option is preferred, external water drainage points will be specified according to the Project and will be priced additionally.

DEDUCTIONS

Price deduction is applicable only for back pillars and back beam. Deduction amount shall be consider as 70% of related option price.

OPTIONS

FS11	Deco ceiling cover	€ 70	m ²
FS19	Fix louver	€ 73	1m
FS24	W96 Ceiling Cover	€ 81	m ²
FS26	Exclusive fabric difference (up to 800cm width)	€ 48	m ²
FS28-1	Stainless steel chain - 100 cm	€ 77	1m
FS28-2	Stainless steel chain - 200 cm	€ 149	2m
FS28-3	Stainless steel chain - 300 cm	€ 217	3m
FS28-4	Stainless steel chain - 400 cm	€ 290	4m
FS29-1	Sun Sensor (SUNIS) (for single motor)	€ 604	pcs
FS29-2	Wind Sensor (EOLIS RTS) (for single motor)	€ 284	pcs
FS29-3	Sun and Wind Sensor (SOLIRIS RTS) (for single motor)	€ 322	pcs
FS29-42	Rain Sensor (ONDEIS) (for single motor)	€ 558	pcs
FS30	CONNEXOON	€ 510	pcs

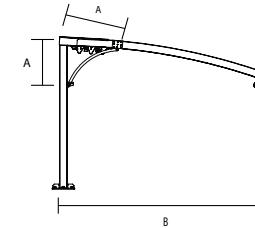
Notes:

1. Fabric support profiles can be painted in the same color as the general construction. No fee is paid for this process. However, the plastic color should be specified from our standard plastic colours in Palmiye Color Chart.
2. For one product, a dry contact transmitter costing 358€, must be added.
3. Up to 5 products, a RS485 Automation interface dry contact transmitter costing 1094€, must be added.

EXTENSIONS

Rail	Plus - 120x150mm	€ 328	1m
Beam	Al. 42x150mm	€ 102	1m
Beam	Al. 50x150mm	€ 180	1m
Beam	Al. 100x150mm	€ 151	1m
Beam	St. 100x150x3mm	€ 310	1m
Beam	St. 100x150x5mm	€ 377	1m
Beam	St. 100x200x3mm	€ 315	1m
Beam	St. 100x200x5mm	€ 449	1m
Fabric protection cover	Al. - 63x__cm	€ 59	m ²
Gutter	Special Profile	€ 44	1m

- This model includes 3m steel back beam and pillars.
- The front beam can not be produced in steel.
- Ground flanges are 380x380x15 mm.



STANDARD "A" VALUES

B (cm)	250	300	350	400
A (cm)	70	80	90	100

- Max. pillar length: 480 cm

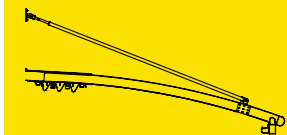
PRICE DIFFERENCE

BEAM GROUP			
Pillar	Standart:	St. 150x150x3mm	
	to	St. 150x150x5mm	€ 520 pcs

CORAL

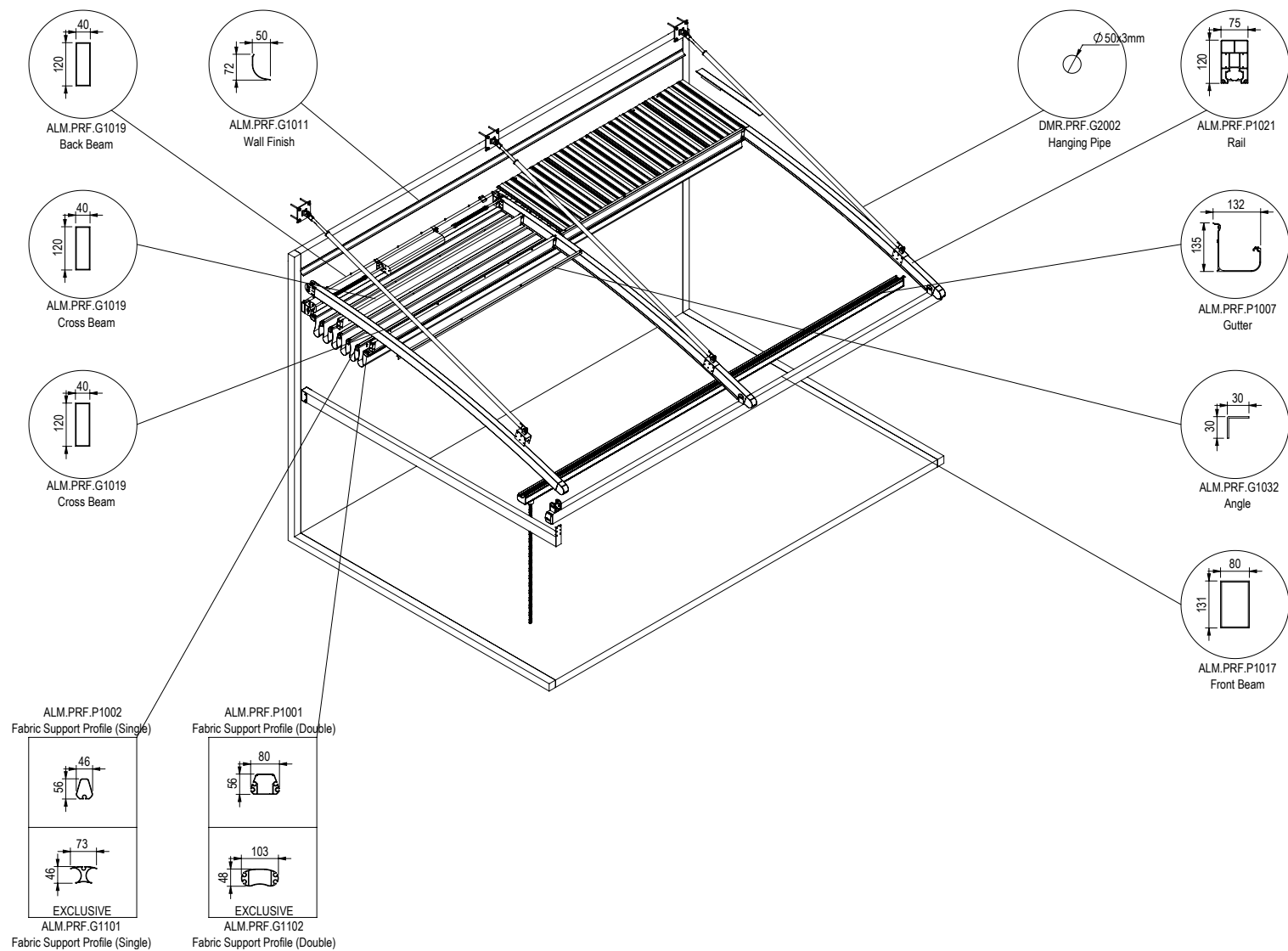
Compact Hanging

Wall / Ceiling



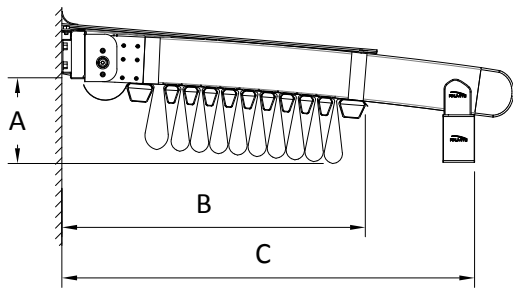
MAXIMUM DIMENSIONS

	WIDTH	PROJECTION
2 RAILS	400 cm	600 cm
3 RAILS	800 cm	600 cm
4 RAILS	1200 cm	600 cm
5 RAILS	1300 cm	600 cm



TECHNICAL FEATURES

COLLECTED FABRIC DIMENSIONS

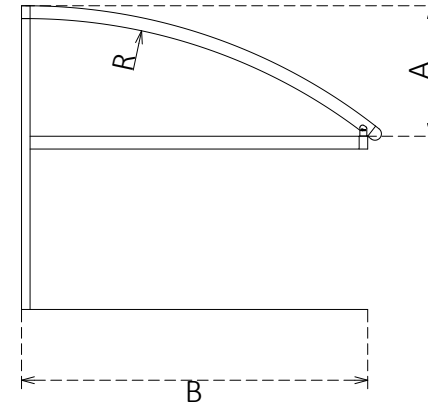


RADIUS CHART

RADIUS	850	1500	2850
--------	-----	------	------

Projection	A			B
300	83			
350	107			
400	135	82		
450		98		
500		116		
550		137		
600		160	93	

*The values are approx. ± 5 cm



TILTED VERSION

Projection cm

No of Fabric Support Profiles	200	250	300	350	400	450	500	550	600	C
	5	30								
6		31								74
7			32							81
9				34						94
10					35					100
11						36				107
13							38			120
14								39		126
15									40	133

*Calculated according to a slope of 15%

WIND RESISTANCE

PROJECTION (cm)	WIDTH (cm)																	
	450	500	550	600	650	700	750	800	850	900	950	1000	1050	1100	1150	1200	1250	1300
400	10	10	10	9	9	9	8	8	8	7	9	9	9	8	8	8	8	7
450	10	9	8	8	8	8	7	7	7	7	8	8	8	7	7	7	7	7
500	9	8	7	7	7	7	6	6	6	6	7	7	7	6	6	6	6	6
550	8	7	7	7	7	6	6	6	6	6	7	6	6	6	6	6	6	6
600	7	6	6	6	6	5	5	5	5	5	6	5	5	5	5	5	5	5

*The values are given according to the Beaufort scale.

**Calculated for Products with a front height of 250 cm according to Eurocode EN 1991-1-4 Terrain Category 4.

*** You can ask for new calculations for special designs.

All sides open

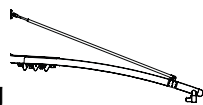
DRAINAGE CALCULATION

Type	Max. m ²
Compact	30 m ² /pc

* per drainage

There should be at least one drainage, each 8 m length gutter.

CORAL Compact Hanging Wall / Ceiling



Projection	2 RAILS				3 RAILS								4 RAILS								5 RAILS		FS4	FS9-C
	250 cm	300 cm	350 cm	400 cm	450 cm	500 cm	550 cm	600 cm	650 cm	700 cm	750 cm	800 cm	850 cm	900 cm	950 cm	1000 cm	1050 cm	1100 cm	1150 cm	1200 cm	1250 cm	1300 cm		
200 cm	€ 6.589	€ 6.914	€ 7.541	€ 7.869	€ 9.292	€ 9.614	€ 9.943	€ 10.265	€ 10.890	€ 11.216	€ 11.598	€ 11.918	€ 13.052	€ 13.365	€ 13.974	€ 14.285	€ 14.592	€ 14.903	€ 15.208	€ 15.519	€ 17.321	€ 17.806	€ 950	€ 194
250 cm	€ 6.936	€ 7.436	€ 7.909	€ 8.245	€ 9.816	€ 10.147	€ 10.656	€ 10.985	€ 11.456	€ 11.787	€ 12.179	€ 12.683	€ 13.957	€ 14.283	€ 14.736	€ 15.054	€ 15.546	€ 15.865	€ 16.183	€ 16.503	€ 18.450	€ 18.943	€ 1.049	€ 234
300 cm	€ 7.474	€ 8.032	€ 8.554	€ 8.940	€ 10.703	€ 11.089	€ 11.645	€ 12.030	€ 12.548	€ 12.932	€ 13.374	€ 13.930	€ 15.399	€ 15.768	€ 16.276	€ 16.645	€ 17.183	€ 17.552	€ 17.925	€ 18.295	€ 20.430	€ 20.977	€ 1.148	€ 275
350 cm	€ 8.000	€ 8.398	€ 8.929	€ 9.496	€ 11.410	€ 11.803	€ 12.199	€ 12.765	€ 13.298	€ 13.690	€ 14.145	€ 14.708	€ 16.328	€ 16.710	€ 17.388	€ 17.774	€ 18.155	€ 18.535	€ 19.083	€ 19.463	€ 21.748	€ 22.139	€ 1.247	€ 314
400 cm	€ 8.356	€ 8.765	€ 9.307	€ 9.881	€ 11.948	€ 12.354	€ 12.765	€ 13.336	€ 13.877	€ 14.283	€ 14.747	€ 15.317	€ 17.094	€ 17.485	€ 18.175	€ 18.568	€ 18.963	€ 19.352	€ 19.912	€ 20.301	€ 22.739	€ 23.141	€ 1.344	€ 355
450 cm	€ 8.721	€ 9.143	€ 9.694	€ 10.281	€ 12.498	€ 12.918	€ 13.336	€ 13.917	€ 14.472	€ 14.885	€ 15.361	€ 15.945	€ 17.866	€ 18.270	€ 18.974	€ 19.375	€ 19.779	€ 20.181	€ 20.748	€ 21.150	€ 23.737	€ 24.146	€ 1.444	€ 395
500 cm	€ 9.081	€ 9.510	€ 10.074	€ 10.670	€ 13.041	€ 13.468	€ 13.897	€ 14.490	€ 15.052	€ 15.479	€ 15.963	€ 16.556	€ 18.635	€ 19.048	€ 19.761	€ 20.175	€ 20.586	€ 20.995	€ 21.577	€ 21.990	€ 24.728	€ 25.150	€ 1.543	€ 436
550 cm	€ 9.441	€ 9.878	€ 10.454	€ 11.059	€ 13.585	€ 14.019	€ 14.459	€ 15.063	€ 15.632	€ 16.074	€ 16.565	€ 17.166	€ 19.404	€ 19.826	€ 20.548	€ 20.975	€ 21.393	€ 21.810	€ 22.406	€ 22.830	€ 25.719	€ 26.153	€ 1.642	€ 475
600 cm	€ 9.801	€ 10.245	€ 10.834	€ 11.449	€ 14.128	€ 14.570	€ 15.021	€ 15.636	€ 16.212	€ 16.668	€ 17.166	€ 17.777	€ 20.174	€ 20.604	€ 21.335	€ 21.775	€ 22.201	€ 22.624	€ 23.235	€ 23.670	€ 26.710	€ 27.157	€ 1.741	€ 516
FS3	€ 234	€ 245	€ 267	€ 294	€ 318	€ 342	€ 367	€ 391	€ 415	€ 439	€ 565	€ 589	€ 613	€ 638	€ 664	€ 688	€ 712	€ 737	€ 761	€ 785	€ 810	€ 834		
FS5-A	€ 43	€ 54	€ 64	€ 73	€ 84	€ 93	€ 105	€ 114	€ 125	€ 135	€ 146	€ 155	€ 166	€ 176	€ 187	€ 196	€ 208	€ 217	€ 228	€ 237	€ 249	€ 258		
FS5-E	€ 59	€ 75	€ 88	€ 100	€ 116	€ 129	€ 144	€ 157	€ 173	€ 185	€ 201	€ 214	€ 229	€ 242	€ 257	€ 270	€ 286	€ 299	€ 314	€ 327	€ 342	€ 355		

FS3	Gutter System
FS5-A	Additional Fabric Support Profile (Standard)
FS5-E	Additional Fabric Support Profile (3 Axis)
FS4	Additional Rail for Compact Series- Al.- 75x120mm
FS8	Lighting System
FS9-C	Side Beam for Compact Series- Al.- 80x130mm

FS8	
FS8-S	SPOT
FS8-L	LINEAR
FS8-LR (RGB)	LINEAR (RGB)

LED TYPE & MODULE		
2 LED	3 LED	4 LED
€ 132	€ 160	€ 189
€ 189	€ 245	
€ 240	€ 311	

Notes:

1. Any Side Beam is not included in the price.
2. FS Flexy Plain/3D or Stam 6002 is included in the price.
3. Motor and Remote control is included in the price.
4. Palmiye Aluminium Coating Catalogue includes the standard colours with no extra cost. For any other type/brand/color of paint, price difference and additional delivery duration shall be checked from your customer representative.
5. Standard fabric support profile plastic colours are specified in Palmiye Aluminium Coating Catalogue.

OPTIONS

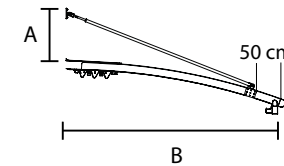
FS11	Deco ceiling cover	€ 70	m ²
FS15-C	Side beam pillar (80x80mm - Al)	€ 392	pcs
FS19	Fix louver	€ 73	1m
FS24	W96 Ceiling Cover	€ 81	m ²
FS26	Exclusive fabric difference (up to 800cm width)	€ 48	m ²
FS28-1	Stainless steel chain - 100 cm	€ 77	1m
FS28-2	Stainless steel chain - 200 cm	€ 149	2m
FS28-3	Stainless steel chain - 300 cm	€ 217	3m
FS28-4	Stainless steel chain - 400 cm	€ 290	4m
FS29-1	Sun Sensor (SUNIS) (for single motor)	€ 604	pcs
FS29-1S	Sun Sensor (SUNIS) (for synchronized motor)	€ 962	pcs
FS29-2	Wind Sensor (EOLIS RTS) (for single motor)	€ 284	pcs
FS29-2S	Wind Sensor (EOLIS RTS) (for synchronized motor)	€ 639	pcs
FS29-3	Sun and Wind Sensor (SOLIRIS RTS) (for single motor)	€ 322	pcs
FS29-3S	Sun and Wind Sensor (SOLIRIS RTS) (for synchronized motor)	€ 676	pcs
FS29-4 ^{2/3}	Rain Sensor (ONDEIS) (for single motor)	€ 558	pcs
FS29-4S ^{2/3}	Rain Sensor (ONDEIS) (for synchronized motor)	€ 912	pcs
FS30	CONNEXOON	€ 510	pcs

EXTENSIONS

Rail	Compact - 75x120mm	€ 200	1m
Beam	Al. 40x120mm	€ 63	1m
Beam	Al. 42x150mm	€ 102	1m
Beam	Al. 50x150mm	€ 180	1m
Beam	Al. 80x130mm	€ 96	1m
Beam	Al. 100x150mm	€ 151	1m
Beam	St. 100x150x3mm	€ 310	1m
Beam	St. 100x150x5mm	€ 377	1m
Beam	St. 100x200x3mm	€ 315	1m
Beam	St. 100x200x5mm	€ 449	1m
Fabric protection cover	Al. - 63x___cm	€ 59	m ²
Gutter	Special Profile	€ 44	1m

PRICE DIFFERENCE

		BEAM GROUP	
		Standard	Al. 40x120mm
Back Beam	to	Al. 42x150mm	€ 39 1m
		Al. 50x150mm	€ 119 1m
		Al. 80x130mm	€ 30 1m
		St. 50x150x3mm	€ 151 1m
		St. 50x150x5mm	€ 237 1m
		Al. 100x150mm	€ 87 1m
		St. 100x150x3mm	€ 255 1m
		St. 100x150x5mm	€ 327 1m
		St. 100x200x3mm	€ 258 1m
		St. 100x200x5mm	€ 399 1m



MINIMUM "A" VALUES

B (cm)	250	300	350	400	450	500	550	600
A (cm)	50	50	50	60	70	80	90	100

Upper values will be evaluated on a project basis.

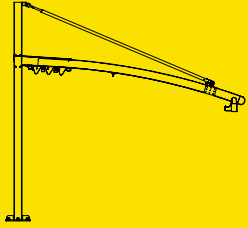
Notes:

1. Fabric support profiles can be painted in the same color as the general construction. No fee is paid for this process. However, the plastic color should be specified from our standard plastic colours in Palmiye Color Chart.
2. For one product, a dry contact transmitter costing 358€, must be added.
3. Up to 5 products, a RS485 Automation interface dry contact transmitter costing 1094€, must be added.

CORAL

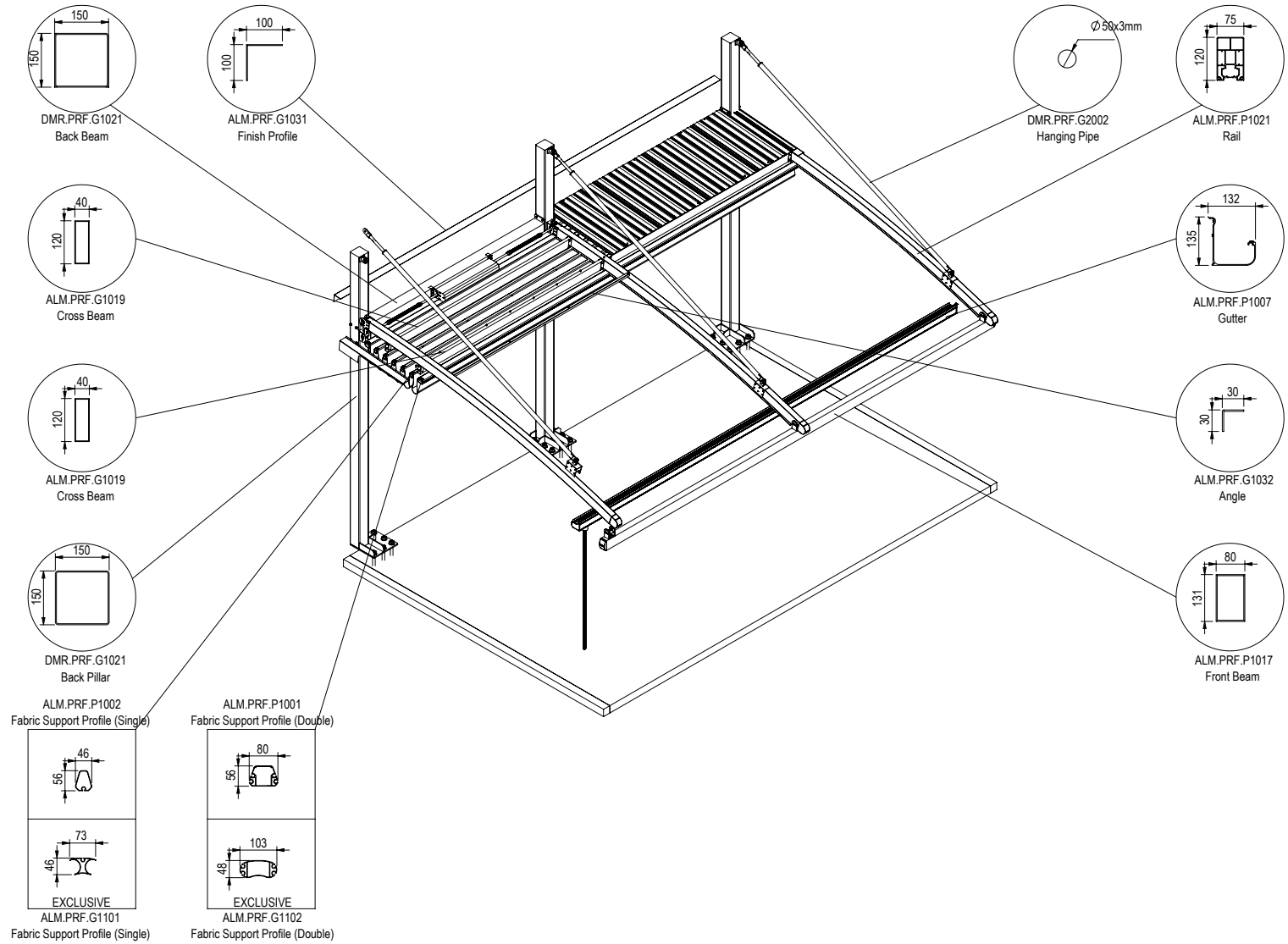
Compact Hanging

Freestanding



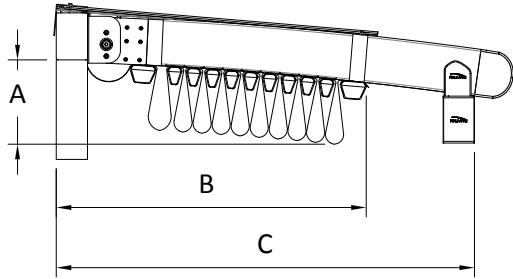
MAXIMUM DIMENSIONS

	WIDTH	PROJECTION
2 RAILS	400 cm	600 cm
3 RAILS	800 cm	600 cm
4 RAILS	1200 cm	600 cm
5 RAILS	1300 cm	600 cm



TECHNICAL FEATURES

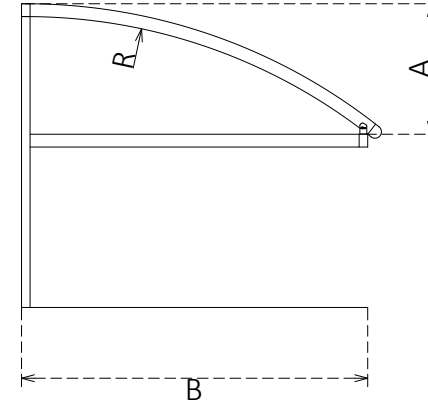
COLLECTED FABRIC DIMENSIONS



RADIUS CHART

RADIUS	850	1500	2850
B	A		
250	63		
300	83		
350	107		
400	135	82	
450	168	98	
500		116	
550		137	
600		160	93

*The values are approx. ± 5 cm



TILTED VERSION Projection cm

No of Fabric Support Profiles	200	250	300	350	400	450	500	550	600	C
5	31									73
6		32								79
7			33							86
9				35						99
10					36					105
11						37				112
13							39			125
14								40		131
15									41	138

*Calculated according to a slope of 15%

WIND RESISTANCE

PROJECTION (cm)	WIDTH (cm)																	
	450	500	550	600	650	700	750	800	850	900	950	1000	1050	1100	1150	1200	1250	1300
400	10	10	10	9	9	9	9	8	8	8	9	9	9	9	8	8	8	8
450	9	9	9	8	8	8	8	7	7	7	8	8	8	8	7	7	7	7
500	8	8	8	8	8	7	7	7	7	6	8	7	7	7	7	7	7	6
550	8	8	7	7	7	7	7	6	6	6	7	7	7	6	6	6	6	6
600	7	7	7	6	6	6	6	6	6	5	6	6	6	6	6	6	5	5

All sides open

*The values are given according to the Beaufort scale.

**Calculated for Products with a front height of 250 cm according to Eurocode EN 1991-1-4 Terrain Category 4.

*** You can ask for new calculations for special designs.

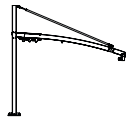
DRAINAGE CALCULATION

Type	Max. m ²
Compact	30 m ² /pc

* per drainage

There should be at least one drainage, each 8 m length gutter.

CORAL Compact Hanging Freestanding



Projection	2 RAILS				3 RAILS								4 RAILS								5 RAILS		FS4	FS9-C
	250 cm	300 cm	350 cm	400 cm	450 cm	500 cm	550 cm	600 cm	650 cm	700 cm	750 cm	800 cm	850 cm	900 cm	950 cm	1000 cm	1050 cm	1100 cm	1150 cm	1200 cm	1250 cm	1300 cm		
200 cm	€ 7.993	€ 8.319	€ 8.946	€ 9.273	€ 11.399	€ 11.721	€ 12.050	€ 12.372	€ 12.997	€ 13.323	€ 13.705	€ 14.025	€ 15.862	€ 16.174	€ 16.783	€ 17.094	€ 17.401	€ 17.712	€ 18.018	€ 18.329	€ 20.833	€ 21.318	€ 950	€ 194
250 cm	€ 8.341	€ 8.841	€ 9.313	€ 9.650	€ 11.923	€ 12.254	€ 12.763	€ 13.092	€ 13.563	€ 13.894	€ 14.286	€ 14.790	€ 16.767	€ 17.092	€ 17.545	€ 17.863	€ 18.356	€ 18.674	€ 18.992	€ 19.312	€ 21.962	€ 22.455	€ 1.049	€ 234
300 cm	€ 8.879	€ 9.437	€ 9.959	€ 10.344	€ 12.810	€ 13.196	€ 13.752	€ 14.137	€ 14.656	€ 15.039	€ 15.481	€ 16.037	€ 18.209	€ 18.578	€ 19.085	€ 19.454	€ 19.992	€ 20.361	€ 20.734	€ 21.105	€ 23.942	€ 24.489	€ 1.148	€ 275
350 cm	€ 9.404	€ 9.802	€ 10.333	€ 10.901	€ 13.517	€ 13.910	€ 14.306	€ 14.872	€ 15.405	€ 15.797	€ 16.252	€ 16.815	€ 19.138	€ 19.520	€ 20.198	€ 20.583	€ 20.965	€ 21.345	€ 21.892	€ 22.272	€ 25.260	€ 25.651	€ 1.247	€ 314
400 cm	€ 9.761	€ 10.170	€ 10.712	€ 11.286	€ 14.056	€ 14.461	€ 14.872	€ 15.443	€ 15.985	€ 16.390	€ 16.854	€ 17.425	€ 19.903	€ 20.294	€ 20.985	€ 21.378	€ 21.772	€ 22.161	€ 22.721	€ 23.110	€ 26.251	€ 26.652	€ 1.344	€ 355
450 cm	€ 10.262	€ 10.711	€ 11.289	€ 11.903	€ 14.849	€ 15.296	€ 15.742	€ 16.350	€ 16.932	€ 17.372	€ 17.875	€ 18.486	€ 21.137	€ 21.568	€ 22.299	€ 22.728	€ 23.159	€ 23.588	€ 24.182	€ 24.611	€ 27.928	€ 28.364	€ 1.444	€ 395
500 cm	€ 10.622	€ 11.078	€ 11.669	€ 12.292	€ 15.393	€ 15.847	€ 16.303	€ 16.923	€ 17.512	€ 17.967	€ 18.477	€ 19.097	€ 21.907	€ 22.346	€ 23.086	€ 23.528	€ 23.966	€ 24.402	€ 25.011	€ 25.451	€ 28.919	€ 29.368	€ 1.543	€ 436
550 cm	€ 10.982	€ 11.445	€ 12.049	€ 12.681	€ 15.936	€ 16.398	€ 16.865	€ 17.496	€ 18.092	€ 18.561	€ 19.079	€ 19.708	€ 22.676	€ 23.125	€ 23.873	€ 24.328	€ 24.773	€ 25.217	€ 25.840	€ 26.291	€ 29.909	€ 30.371	€ 1.642	€ 475
600 cm	€ 11.342	€ 11.813	€ 12.429	€ 13.070	€ 16.480	€ 16.949	€ 17.427	€ 18.069	€ 18.672	€ 19.156	€ 19.681	€ 20.319	€ 23.445	€ 23.903	€ 24.661	€ 25.128	€ 25.580	€ 26.031	€ 26.669	€ 27.131	€ 30.900	€ 31.375	€ 1.741	€ 516
FS3	€ 234	€ 245	€ 267	€ 294	€ 318	€ 342	€ 367	€ 391	€ 415	€ 439	€ 565	€ 589	€ 613	€ 638	€ 664	€ 688	€ 712	€ 737	€ 761	€ 785	€ 810	€ 834		
FS5-A	€ 43	€ 54	€ 64	€ 73	€ 84	€ 93	€ 105	€ 114	€ 125	€ 135	€ 146	€ 155	€ 166	€ 176	€ 187	€ 196	€ 208	€ 217	€ 228	€ 237	€ 249	€ 258		
FS5-E	€ 59	€ 75	€ 88	€ 100	€ 116	€ 129	€ 144	€ 157	€ 173	€ 185	€ 201	€ 214	€ 229	€ 242	€ 257	€ 270	€ 286	€ 299	€ 314	€ 327	€ 342	€ 355		

FS3	Gutter System
FS5-A	Additional Fabric Support Profile (Standard)
FS5-E	Additional Fabric Support Profile (3 Axis)
FS4	Additional Rail for Compact Series- Al.- 75x120mm
FS8	Lighting System
FS9-C	Side Beam for Compact Series- Al.- 80x130mm

FS8	
FS8-S	SPOT
FS8-L	LINEAR
FS8-LR (RGB)	LINEAR (RGB)

LED TYPE & MODULE		
2 LED	3 LED	4 LED
€ 132	€ 160	€ 189
€ 189	€ 245	
€ 240	€ 311	

Notes:

- Any Side Beam is not included in the price.
- FS Flexy Plain/3D or Stam 6002 is included in the price.
- Motor and Remote control is included in the price.
- Palmiye Aluminium Coating Catalogue includes the standard colours with no extra cost. For any other type/brand/color of paint, price difference and additional delivery duration shall be checked from your customer representative.
- Standard fabric support profile plastic colours are specified in Palmiye Aluminium Coating Catalogue.
- In pergolas including steel front pillars, if gutter option is preferred, external water drainage points will be specified according to the Project and will be priced additionally.

DEDUCTIONS

Price deduction is applicable only for back pillars and back beam. Deduction amount shall be consider as 70% of related option price.

OPTIONS

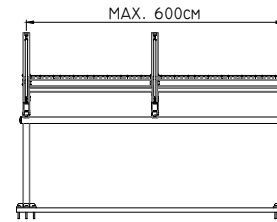
FS10-150ST3	Extra pillar (150x150x3mm St.)	€ 952	pcs
FS10-150ST5	Extra pillar (150x150x5mm St.)	€ 1.331	pcs
FS10-150ST5-H	Extra Half pillar (150x150x5mm St.)	€ 160	pcs
FS11	Deco ceiling cover	€ 70	m²
FS15-C	Side beam pillar (80x80mm - Al)	€ 392	pcs
FS19	Fix louver	€ 73	lm
FS24	W96 Ceiling Cover	€ 81	m²
FS26	Exclusive fabric difference (up to 800cm width)	€ 48	m²
FS28-1	Stainless steel chain - 100 cm	€ 77	1m
FS28-2	Stainless steel chain - 200 cm	€ 149	2m
FS28-3	Stainless steel chain - 300 cm	€ 217	3m
FS28-4	Stainless steel chain - 400 cm	€ 290	4m
FS29-1	Sun Sensor (SUNIS) (for single motor)	€ 604	pcs
FS29-1S	Sun Sensor (SUNIS) (for synchronized motor)	€ 962	pcs
FS29-2	Wind Sensor (EOLIS RTS) (for single motor)	€ 284	pcs
FS29-2S	Wind Sensor (EOLIS RTS) (for synchronized motor)	€ 639	pcs
FS29-3	Sun and Wind Sensor (SOLIRIS RTS) (for single motor)	€ 322	pcs
FS29-3S	Sun and Wind Sensor (SOLIRIS RTS) (for synchronized motor)	€ 676	pcs
FS29-42	Rain Sensor (ONDEIS) (for single motor)	€ 558	pcs
FS29-4S3	Rain Sensor (ONDEIS) (for synchronized motor)	€ 912	pcs
FS30	CONNEXOON	€ 510	pcs

Notes:

1. Fabric support profiles can be painted in the same color as the general construction. No fee is paid for this process. However, the plastic color should be specified from our standard plastic colours in Palmiye Color Chart.
2. For one product, a dry contact transmitter costing 358€, must be added.
3. Up to 5 products, a RS485 Automation interface dry contact transmitter costing 1094€, must be added.

EXTENSIONS

Rail	Compact - 75x120mm	€ 200	lm
Beam	Al. 40x120mm	€ 63	lm
Beam	Al. 42x150mm	€ 102	lm
Beam	Al. 50x150mm	€ 180	lm
Beam	Al. 80x130mm	€ 96	lm
Beam	Al. 100x150mm	€ 151	lm
Beam	St. 100x150x3mm	€ 310	lm
Beam	St. 100x150x5mm	€ 377	lm
Beam	St. 100x200x3mm	€ 315	lm
Beam	St. 100x200x5mm	€ 449	lm
Fabric protection cover	Al. - 63x___cm	€ 59	m²
Gutter	Special Profile	€ 44	lm



- The front beam can not be produced in steel.
- Ground flanges are 380x380x15 mm.
- When pillar reduction is applied, half pillar must be installed at the back of each rail shaft, and steel back pillars and back beam should be 150x150 mm.
- In condition of adding an additional rail, a steel 150x150 mm back pillar should also be added.

PRICE DIFFERENCE

PILLAR GROUP			
Pillar	Standard	St. 150x150x3mm	
	to	St. 150x150x5mm	€ 520 pcs

STANDARD CONSTRUCTION

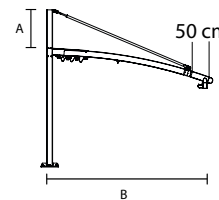
		WIDTH																						
		250	300	350	400	450	500	550	600	650	700	750	800	850	900	950	1000	1050	1100	1150	1200	1250	1300	
PROJECTION	200 cm																							
	250 cm																							
	300 cm																							
	350 cm																							
	400 cm																							
	450 cm																							
	500 cm																							
550 cm																								
600 cm																								

Pillars & Back Beam

- 150x150x3mm Steel
- 150x150x5mm Steel

* In case of reducing middle pillars, distance between the pillars can be maximum 600 cm.

** Steel with a wall thickness of 5 mm must be used in all cases where the pillar is reduced.

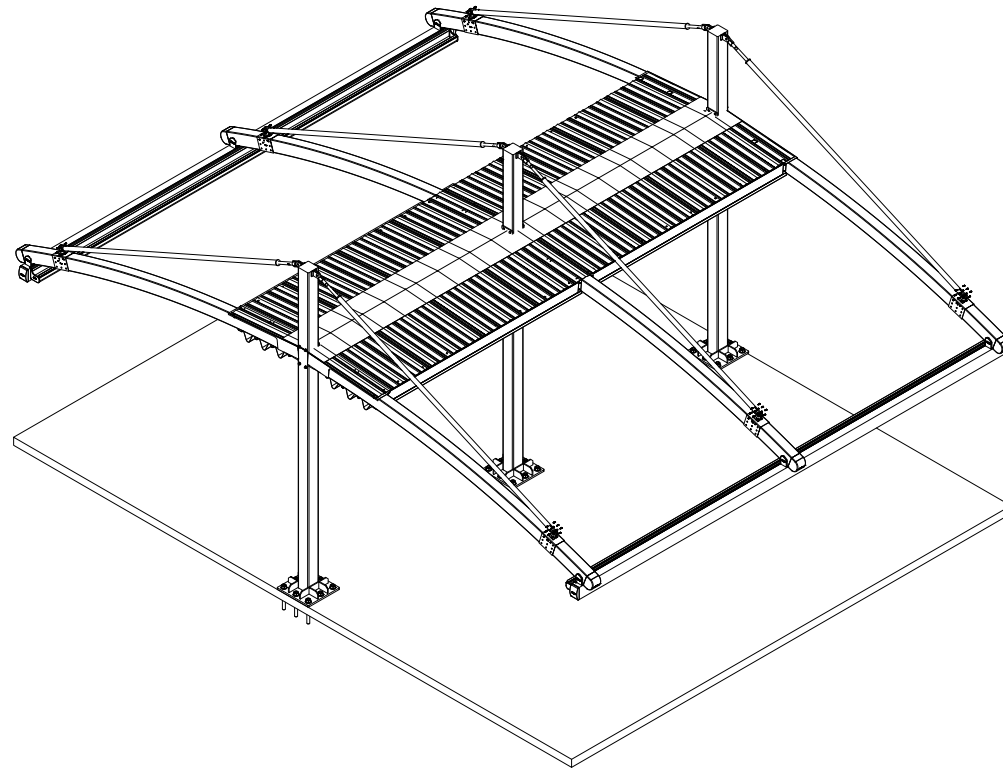


MINIMUM "A" VALUES

B (cm)	250	300	350	400	450	500	550	600
A (cm)	50	50	50	60	70	80	90	100

Upper values will be evaluated on a project basis.

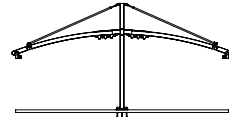
- Max. pillar length: 480 cm



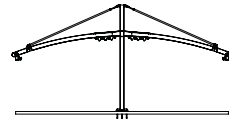
CORAL TWIN HANGING

PRODUCT FORMS

- Coral Twin Hanging

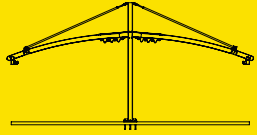


- Coral Compact Twin Hanging



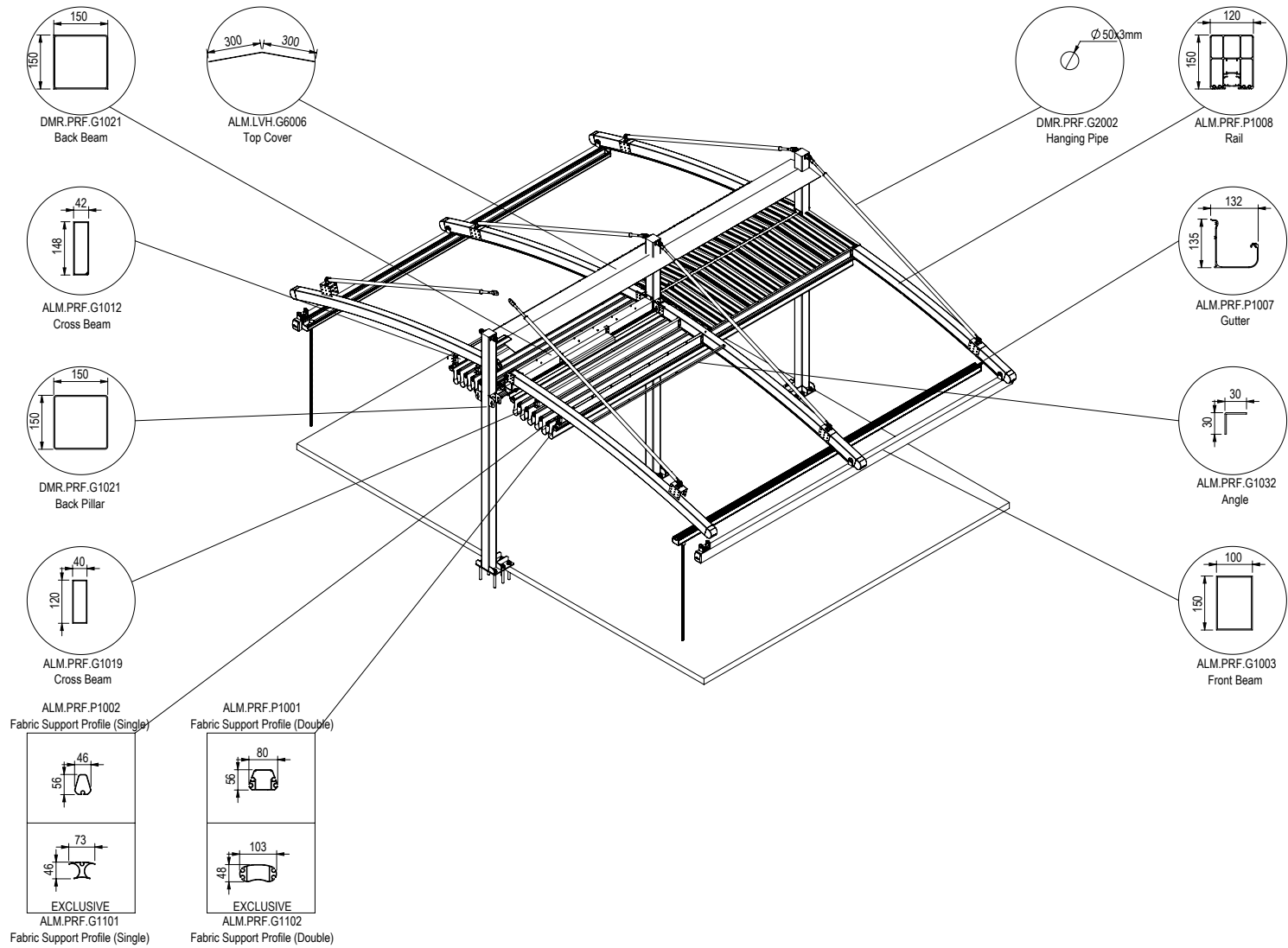
CORAL

Twin Hanging



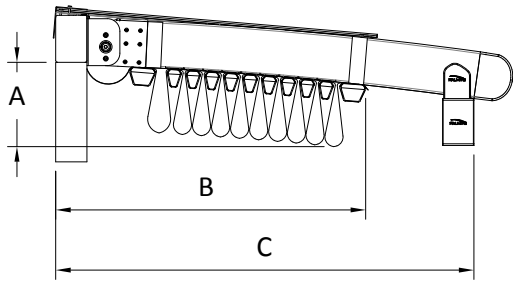
MAXIMUM DIMENSIONS

	WIDTH	PROJECTION
2 RAILS	400 cm	1200 cm
3 RAILS	800 cm	1200 cm
4 RAILS	1200 cm	1200 cm



TECHNICAL FEATURES

COLLECTED FABRIC DIMENSIONS



TILTED VERSION Projection cm

No of Fabric Support Profiles	Projection cm										C
	200	250	300	350	400	450	500	550	600		
5	30										68
6		31									74
7			32								81
9				34							94
10					35						100
11						36					107
13							38				120
14								39			126
15									40		133

*Calculated according to a slope of 15%

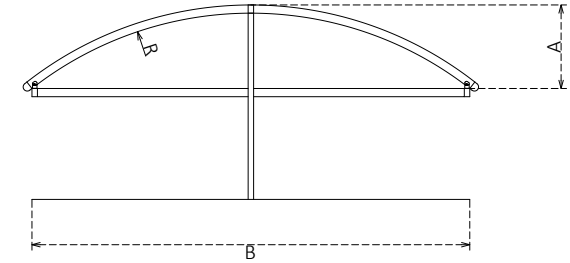
PROJECTION (cm)

RADIUS CHART

RADIUS	650	850	1500
--------	-----	-----	------

Projection	A			B
300	41			
400	58			
500	81	65		
600		85		
700		109		
800		137	83	
900			100	
1000			118	
1100			139	
1200			161	

*The values are approx. ± 5 cm



WIND RESISTANCE

PROJECTION (cm)	WIDTH (cm)																	
	450	500	550	600	650	700	750	800	850	900	950	1000	1050	1100	1150	1200	1250	1300
800	10	10	10	9	9	9	9	9	8	8	9	9	9	9	9	9	8	8
900	9	9	9	9	8	8	8	8	7	7	8	8	8	8	8	8	7	7
1000	8	8	8	8	7	7	7	7	7	6	7	7	7	7	7	7	7	6
1100	7	7	7	7	6	6	6	6	6	6	6	6	6	6	6	6	6	6
1200	7	6	6	6	6	6	6	6	5	5	6	6	6	6	6	6	5	5

*The values are given according to the Beaufort scale.

**Calculated for Products with a front height of 250 cm according to Eurocode EN 1991-1-4 Terrain Category 4.

*** You can ask for new calculations for special designs.

All sides open

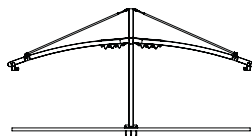
DRAINAGE CALCULATION

Type	Max. m ²
Full	39 m ² /pc

* per drainage

There should be at least one drainage, each 8 m length gutter.

CORAL Twin Hanging



Projection	2 RAILS				3 RAILS								4 RAILS								5 RAILS		FS4	FS9	FS9-S
	250 cm	300 cm	350 cm	400 cm	450 cm	500 cm	550 cm	600 cm	650 cm	700 cm	750 cm	800 cm	850 cm	900 cm	950 cm	1000 cm	1050 cm	1100 cm	1150 cm	1200 cm	1250 cm	1300 cm			
400 cm	€ 15.537	€ 16.237	€ 17.755	€ 18.468	€ 19.168	€ 22.135	€ 22.930	€ 23.641	€ 25.159	€ 25.861	€ 26.724	€ 27.424	€ 28.137	€ 28.837	€ 32.493	€ 33.193	€ 33.906	€ 34.606	€ 35.318	€ 36.018	€ 37.082	€ 38.238	€ 1.631	€ 430	€ 626
450 cm	€ 15.874	€ 16.814	€ 18.123	€ 18.846	€ 19.564	€ 22.706	€ 23.699	€ 24.422	€ 25.730	€ 26.448	€ 27.324	€ 28.264	€ 28.988	€ 29.706	€ 33.267	€ 33.986	€ 34.936	€ 35.655	€ 36.380	€ 37.098	€ 38.173	€ 39.345	€ 1.750	€ 479	€ 704
500 cm	€ 16.210	€ 17.388	€ 18.486	€ 19.223	€ 19.957	€ 23.275	€ 24.466	€ 25.201	€ 26.299	€ 27.035	€ 27.922	€ 29.100	€ 29.837	€ 30.573	€ 34.040	€ 34.776	€ 35.967	€ 36.704	€ 37.438	€ 38.174	€ 39.260	€ 40.451	€ 1.870	€ 527	€ 782
550 cm	€ 16.812	€ 18.061	€ 19.228	€ 20.034	€ 20.841	€ 24.342	€ 25.604	€ 26.410	€ 27.577	€ 28.377	€ 29.340	€ 30.591	€ 31.397	€ 32.202	€ 35.856	€ 36.662	€ 37.924	€ 38.724	€ 39.534	€ 40.342	€ 41.496	€ 42.758	€ 1.990	€ 576	€ 860
600 cm	€ 17.414	€ 18.732	€ 19.970	€ 20.846	€ 21.723	€ 25.411	€ 26.742	€ 27.619	€ 28.857	€ 29.720	€ 30.760	€ 32.080	€ 32.955	€ 33.831	€ 37.673	€ 38.549	€ 39.880	€ 40.743	€ 41.631	€ 42.507	€ 43.734	€ 45.065	€ 2.109	€ 625	€ 939
650 cm	€ 17.977	€ 19.094	€ 20.343	€ 21.457	€ 22.352	€ 26.181	€ 27.297	€ 28.411	€ 29.666	€ 30.548	€ 31.598	€ 32.937	€ 33.824	€ 34.711	€ 38.920	€ 39.809	€ 40.929	€ 41.811	€ 42.932	€ 43.825	€ 45.069	€ 46.183	€ 2.229	€ 673	€ 1.017
700 cm	€ 18.545	€ 19.455	€ 20.717	€ 22.072	€ 22.982	€ 26.951	€ 27.851	€ 29.206	€ 30.478	€ 31.378	€ 32.440	€ 33.795	€ 34.695	€ 35.593	€ 40.171	€ 41.069	€ 41.980	€ 42.880	€ 44.234	€ 45.145	€ 46.407	€ 47.305	€ 2.349	€ 722	€ 1.095
750 cm	€ 18.895	€ 19.817	€ 21.095	€ 22.468	€ 23.384	€ 27.495	€ 28.411	€ 29.779	€ 31.068	€ 31.978	€ 33.060	€ 34.426	€ 35.342	€ 36.258	€ 40.971	€ 41.887	€ 42.811	€ 43.727	€ 45.092	€ 46.021	€ 47.294	€ 48.210	€ 2.468	€ 770	€ 1.173
800 cm	€ 19.244	€ 20.177	€ 21.473	€ 22.864	€ 23.786	€ 28.037	€ 28.971	€ 30.349	€ 31.657	€ 32.578	€ 33.676	€ 35.055	€ 35.989	€ 36.924	€ 41.769	€ 42.703	€ 43.638	€ 44.572	€ 45.949	€ 46.896	€ 48.179	€ 49.114	€ 2.588	€ 819	€ 1.252
850 cm	€ 19.606	€ 20.557	€ 21.866	€ 23.266	€ 24.213	€ 28.597	€ 29.544	€ 30.938	€ 32.258	€ 33.198	€ 34.307	€ 35.704	€ 36.655	€ 37.600	€ 42.581	€ 43.532	€ 44.485	€ 45.430	€ 46.825	€ 47.783	€ 49.085	€ 50.030	€ 2.708	€ 868	€ 1.330
900 cm	€ 19.968	€ 20.937	€ 22.257	€ 23.670	€ 24.639	€ 29.159	€ 30.115	€ 31.529	€ 32.860	€ 33.818	€ 34.938	€ 36.351	€ 37.320	€ 38.278	€ 43.392	€ 44.361	€ 45.330	€ 46.289	€ 47.701	€ 48.670	€ 49.990	€ 50.948	€ 2.827	€ 916	€ 1.408
950 cm	€ 20.319	€ 21.299	€ 22.637	€ 24.068	€ 25.048	€ 29.708	€ 30.682	€ 32.107	€ 33.449	€ 34.426	€ 35.564	€ 36.987	€ 37.974	€ 38.943	€ 44.198	€ 45.185	€ 46.167	€ 47.141	€ 48.567	€ 49.552	€ 50.885	€ 51.859	€ 2.947	€ 965	€ 1.486
1000 cm	€ 20.668	€ 21.661	€ 23.015	€ 24.462	€ 25.455	€ 30.255	€ 31.248	€ 32.684	€ 34.038	€ 35.031	€ 36.187	€ 37.624	€ 38.627	€ 39.609	€ 45.003	€ 46.007	€ 46.999	€ 47.992	€ 49.428	€ 50.432	€ 51.776	€ 52.768	€ 3.067	€ 1.014	€ 1.564
1050 cm	€ 21.017	€ 22.023	€ 23.393	€ 24.857	€ 25.862	€ 30.802	€ 31.813	€ 33.260	€ 34.627	€ 35.636	€ 36.811	€ 38.260	€ 39.280	€ 40.274	€ 45.809	€ 46.829	€ 47.832	€ 48.843	€ 50.290	€ 51.312	€ 52.666	€ 53.677	€ 3.199	€ 1.064	€ 1.643
1100 cm	€ 21.366	€ 22.384	€ 23.772	€ 25.251	€ 26.270	€ 31.349	€ 32.378	€ 33.836	€ 35.216	€ 36.242	€ 37.434	€ 38.896	€ 39.933	€ 40.940	€ 46.614	€ 47.650	€ 48.665	€ 49.694	€ 51.152	€ 52.192	€ 53.557	€ 54.586	€ 3.334	€ 1.113	€ 1.721
1150 cm	€ 21.715	€ 22.746	€ 24.150	€ 25.646	€ 26.677	€ 31.897	€ 32.944	€ 34.413	€ 35.805	€ 36.847	€ 38.058	€ 39.533	€ 40.585	€ 41.605	€ 47.419	€ 48.472	€ 49.498	€ 50.545	€ 52.014	€ 53.072	€ 54.448	€ 55.495	€ 3.467	€ 1.163	€ 1.799
1200 cm	€ 22.064	€ 23.108	€ 24.528	€ 26.041	€ 27.084	€ 32.444	€ 33.509	€ 34.989	€ 36.395	€ 37.453	€ 38.682	€ 40.169	€ 41.238	€ 42.271	€ 48.225	€ 49.294	€ 50.330	€ 51.396	€ 52.876	€ 53.952	€ 55.339	€ 56.404	€ 3.600	€ 1.212	€ 1.877

FS3	€ 234	€ 245	€ 267	€ 294	€ 318	€ 342	€ 367	€ 391	€ 415	€ 439	€ 565	€ 589	€ 613	€ 638	€ 664	€ 688	€ 712	€ 737	€ 761	€ 785	€ 810	€ 834
FS5-A	€ 43	€ 54	€ 64	€ 73	€ 84	€ 93	€ 105	€ 114	€ 125	€ 135	€ 146	€ 155	€ 166	€ 176	€ 187	€ 196	€ 208	€ 217	€ 228	€ 237	€ 249	€ 258
FS5-E	€ 59	€ 75	€ 88	€ 100	€ 116	€ 129	€ 144	€ 157	€ 173	€ 185	€ 201	€ 214	€ 229	€ 242	€ 257	€ 270	€ 286	€ 299	€ 314	€ 327	€ 342	€ 355

FS3	Gutter System (For One Side)
FS5-A	Additional Fabric Support Profile (Standard)
FS5-E	Additional Fabric Support Profile (3 Axis)
FS4	Additional Rail - Al.Plus- 120x150mm
FS8	Lighting System
FS9	Side Beam - Al. - 50x150mm
FS9-S	Side Beam - Al. - 100x150mm (Special)

FS8	
FS8-S	SPOT
FS8-L	LINEAR
FS8-LR (RGB)	LINEAR (RGB)

LED TYPE & MODULE		
2 LED	3 LED	4 LED
€ 132	€ 160	€ 189
€ 189	€ 245	
€ 240	€ 311	

Notes:

- Any Side Beam is not included in the price.
- FS Flexy Plain/3D or Stam 6002 is included in the price.
- Motor and Remote control is included in the price.
- Palmiye Aluminium Coating Catalogue includes the standard colours with no extra cost. For any other type/brand/color of paint, price difference and additional delivery duration shall be checked from your customer representative.
- Standard fabric support profile plastic colours are specified in Palmiye Aluminium Coating Catalogue.
- The gutter option price is for one side and must be added separately for each side.
- In pergolas including steel front pillars, if gutter option is preferred, external water drainage points will be specified according to the Project and will be priced additionally.

DEDUCTIONS

Price deduction is applicable only for back pillars and back beam. Deduction amount shall be consider as 70% of related option price.

OPTIONS

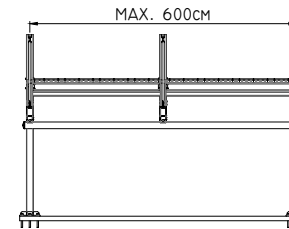
FS10-150ST3	Extra pillar (150x150x3mm St.)	€ 952	pcs
FS10-150ST5	Extra pillar (150x150x5mm St.)	€ 1.331	pcs
FS10-150ST5-H	Extra Half pillar (150x150x5mm St.)	€ 160	pcs
FS11	Deco ceiling cover	€ 70	m ²
FS15	Side beam pillar (50x100mm - Al)	€ 276	pcs
FS15-B	Side beam pillar (100x100mm - Al)	€ 532	pcs
FS19	Fix louver	€ 73	lm
FS24	W96 Ceiling Cover	€ 81	m ²
FS26	Exclusive fabric difference (up to 800cm width)	€ 48	m ²
FS28-1	Stainless steel chain - 100 cm	€ 77	1m
FS28-2	Stainless steel chain - 200 cm	€ 149	2m
FS28-3	Stainless steel chain - 300 cm	€ 217	3m
FS28-4	Stainless steel chain - 400 cm	€ 290	4m
FS29-1	Sun Sensor (SUNIS) (for single motor)	€ 604	pcs
FS29-1S	Sun Sensor (SUNIS) (for synchronized motor)	€ 962	pcs
FS29-2	Wind Sensor (EOLIS RTS) (for single motor)	€ 284	pcs
FS29-2S	Wind Sensor (EOLIS RTS) (for synchronized motor)	€ 639	pcs
FS29-3	Sun and Wind Sensor (SOLIRIS RTS) (for single motor)	€ 322	pcs
FS29-3S	Sun and Wind Sensor (SOLIRIS RTS) (for synchronized motor)	€ 676	pcs
FS29-42	Rain Sensor (ONDEIS) (for single motor)	€ 558	pcs
FS29-4S3	Rain Sensor (ONDEIS) (for synchronized motor)	€ 912	pcs
FS30	CONNEXOON	€ 510	pcs

Notes:

1. Fabric support profiles can be painted in the same color as the general construction. No fee is paid for this process. However, the plastic color should be specified from our standard plastic colours in Palmiye Color Chart.
2. For one product, a dry contact transmitter costing 358€, must be added.
3. Up to 5 products, a RS485 Automation interface dry contact transmitter costing 1094€, must be added.

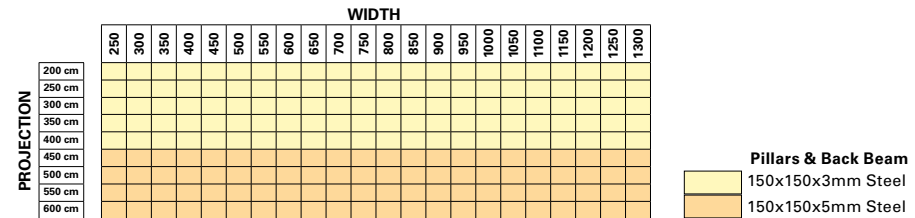
EXTENSIONS

Rail	Plus - 120x150mm	€ 328	lm
Beam	Al. 42x150mm	€ 102	lm
Beam	Al. 50x150mm	€ 180	lm
Beam	Al. 100x150mm	€ 151	lm
Beam	St. 100x150x3mm	€ 310	lm
Beam	St. 100x150x5mm	€ 377	lm
Beam	St. 100x200x3mm	€ 315	lm
Beam	St. 100x200x5mm	€ 449	lm
Fabric protection cover	Al. - 63x___cm	€ 59	m ²
Gutter	Special Profile	€ 44	lm



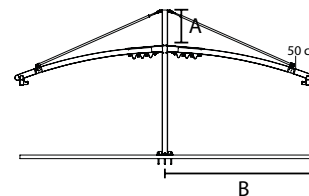
- The front beam can not be produced in steel.
- Ground flanges are 380x380x15 mm.
- When pillar reduction is applied, half pillar must be installed at the back of each rail shaft, and steel back pillars and back beam should be 150x150 mm.
- In condition of adding an additional rail, a steel 150x150 mm back pillar should also be added.

STANDARD CONSTRUCTION



* In case of reducing middle pillars, distance between the pillars can be maximum 600 cm.

** Steel with a wall thickness of 5 mm must be used in all cases where the pillar is reduced.



MINIMUM "A" VALUES

B (cm)	250	300	350	400	450	500	550	600
A (cm)	50	50	50	60	70	80	90	100

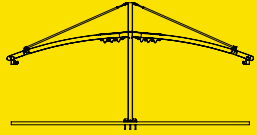
Upper values will be evaluated on a project basis.

PRICE DIFFERENCE

				PILLAR GROUP	
Pillar	Standard	St. 150x150x3mm			
		to	St. 150x150x5mm	€ 520	pcs

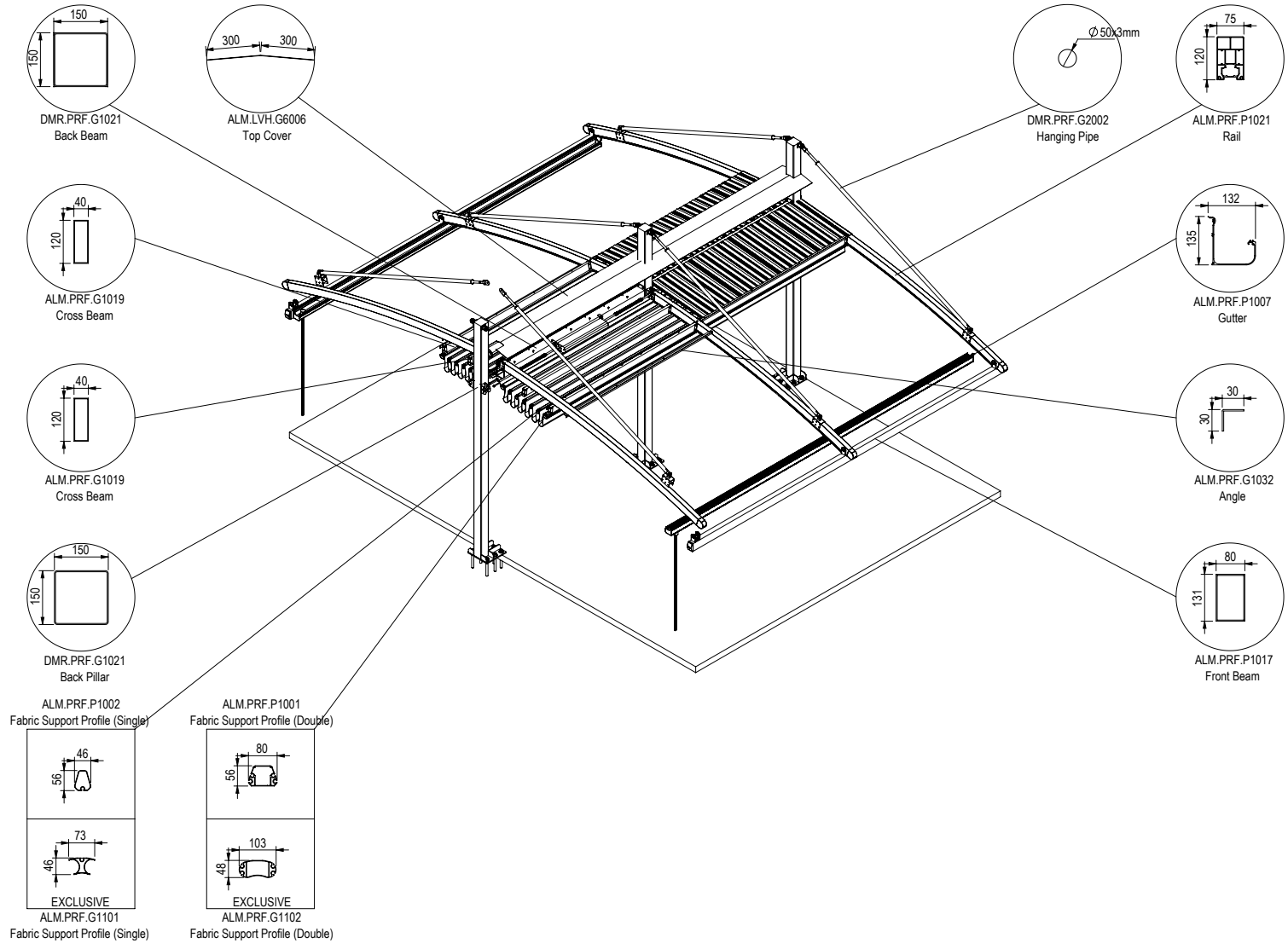
CORAL

Compact Twin Hanging



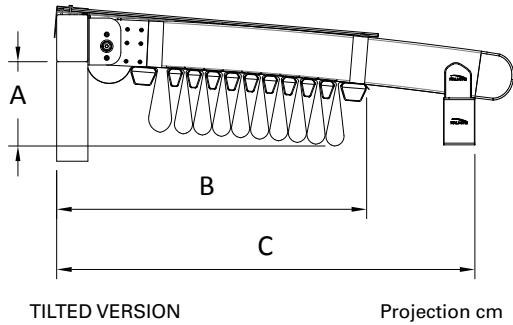
MAXIMUM DIMENSIONS

	WIDTH	PROJECTION
2 RAILS	400 cm	1200 cm
3 RAILS	800 cm	1200 cm
4 RAILS	1200 cm	1200 cm
5 RAILS	1300 cm	1200 cm



TECHNICAL FEATURES

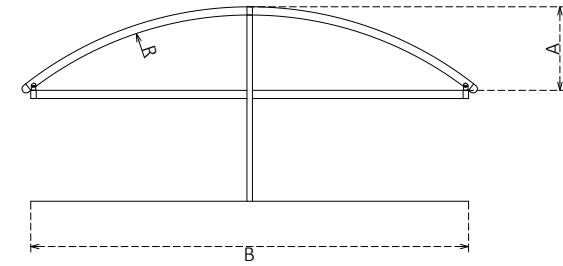
COLLECTED FABRIC DIMENSIONS



RADIUS CHART

RADIUS	650	850	1500
--------	-----	-----	------

Projection	A			B
300	41			
400	58			
500	81	65		
600		85		
700		109		
800		137	83	
900			100	
1000			118	
1100			139	
1200			161	



*The values are approx. ± 5 cm

	200	250	300	350	400	450	500	550	600	C
5	30									68
6	31									74
8	33									87
9	34									94
10	35									100
11	36									107
13	38									120
14	39									126
15	40									133



*Calculated according to a slope of 15%

WIND RESISTANCE

PROJECTION (cm)	WIDTH (cm)																	
	450	500	550	600	650	700	750	800	850	900	950	1000	1050	1100	1150	1200	1250	1300
400	11	11	11	11	11	11	11	10	10	10	11	11	11	11	10	10	10	10
500	11	11	10	10	10	10	9	9	9	9	10	10	10	9	9	9	9	9
600	10	10	10	9	9	9	8	8	8	8	9	9	9	8	8	8	8	8
700	9	9	9	8	8	8	7	7	7	7	8	8	8	7	7	7	7	7
800	9	9	8	7	7	7	7	7	7	6	7	7	7	7	7	7	7	6
900	7	7	7	6	6	6	6	6	6	5	6	6	6	6	6	6	6	5
1000	6	6	6	6	6	6	6	5	5	5	6	6	6	6	5	5	5	5
1100	5	5	5	5	5	5	5	5	5	5	5	5	5	5	5	5	5	5
1200	5	5	5	5	5	5	5	4	4	4	5	5	5	5	4	4	4	4

*The values are given according to the Beaufort scale.

**Calculated for Products with a front height of 250 cm according to Eurocode EN 1991-1-4 Terrain Category 4.

*** You can ask for new calculations for special designs.

All sides open

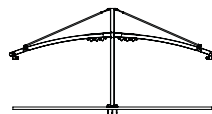
DRAINAGE CALCULATION

Type	Max. m ²
Compact	30 m ² /pc

* per drainage

There should be at least one drainage, each 8 m length gutter.

CORAL Compact Twin Hanging



Projection	Width																				FS4	FS9-C		
	2 RAILS				3 RAILS								4 RAILS										5 RAILS	
	250 cm	300 cm	350 cm	400 cm	450 cm	500 cm	550 cm	600 cm	650 cm	700 cm	750 cm	800 cm	850 cm	900 cm	950 cm	1000 cm	1050 cm	1100 cm	1150 cm	1200 cm	1250 cm	1300 cm		
400 cm	€ 12.589	€ 13.152	€ 14.377	€ 14.950	€ 15.512	€ 17.907	€ 18.544	€ 19.113	€ 20.335	€ 20.895	€ 21.586	€ 22.145	€ 22.713	€ 23.271	€ 26.214	€ 26.770	€ 27.336	€ 27.892	€ 28.458	€ 29.013	€ 29.860	€ 30.782	€ 1.345	€ 355
450 cm	€ 12.849	€ 13.606	€ 14.660	€ 15.241	€ 15.817	€ 18.351	€ 19.147	€ 19.726	€ 20.775	€ 21.349	€ 22.049	€ 22.801	€ 23.377	€ 23.949	€ 26.812	€ 27.382	€ 28.140	€ 28.709	€ 29.284	€ 29.853	€ 30.708	€ 31.641	€ 1.444	€ 395
500 cm	€ 13.108	€ 14.057	€ 14.940	€ 15.530	€ 16.118	€ 18.792	€ 19.748	€ 20.334	€ 21.214	€ 21.801	€ 22.510	€ 23.452	€ 24.038	€ 24.624	€ 27.407	€ 27.992	€ 28.941	€ 29.524	€ 30.106	€ 30.688	€ 31.551	€ 32.498	€ 1.543	€ 435
550 cm	€ 13.581	€ 14.586	€ 15.524	€ 16.169	€ 16.815	€ 19.635	€ 20.646	€ 21.289	€ 22.223	€ 22.860	€ 23.629	€ 24.629	€ 25.270	€ 25.910	€ 28.841	€ 29.480	€ 30.485	€ 31.118	€ 31.760	€ 32.398	€ 33.315	€ 34.317	€ 1.641	€ 475
600 cm	€ 14.054	€ 15.113	€ 16.107	€ 16.808	€ 17.509	€ 20.477	€ 21.542	€ 22.241	€ 23.231	€ 23.919	€ 24.748	€ 25.802	€ 26.497	€ 27.193	€ 30.272	€ 30.966	€ 32.025	€ 32.709	€ 33.411	€ 34.103	€ 35.077	€ 36.133	€ 1.740	€ 515
650 cm	€ 14.494	€ 15.389	€ 16.391	€ 17.284	€ 17.999	€ 21.075	€ 21.967	€ 22.857	€ 23.859	€ 24.560	€ 25.397	€ 26.464	€ 27.169	€ 27.873	€ 31.243	€ 31.947	€ 32.835	€ 33.532	€ 34.421	€ 35.126	€ 36.111	€ 36.993	€ 1.839	€ 555
700 cm	€ 14.937	€ 15.665	€ 16.676	€ 17.761	€ 18.488	€ 21.674	€ 22.391	€ 23.473	€ 24.488	€ 25.203	€ 26.048	€ 27.127	€ 27.841	€ 28.553	€ 32.215	€ 32.925	€ 33.645	€ 34.355	€ 35.429	€ 36.148	€ 37.146	€ 37.853	€ 1.938	€ 595
750 cm	€ 15.204	€ 15.941	€ 16.964	€ 18.062	€ 18.793	€ 22.089	€ 22.819	€ 23.909	€ 24.936	€ 25.659	€ 26.519	€ 27.606	€ 28.332	€ 29.057	€ 32.824	€ 33.547	€ 34.276	€ 34.999	€ 36.081	€ 36.812	€ 37.819	€ 38.539	€ 2.036	€ 636
800 cm	€ 15.470	€ 16.214	€ 17.251	€ 18.362	€ 19.097	€ 22.502	€ 23.245	€ 24.343	€ 25.384	€ 26.115	€ 26.987	€ 28.082	€ 28.822	€ 29.561	€ 33.430	€ 34.167	€ 34.904	€ 35.640	€ 36.729	€ 37.474	€ 38.488	€ 39.222	€ 2.135	€ 676
850 cm	€ 15.745	€ 16.503	€ 17.549	€ 18.666	€ 19.420	€ 22.929	€ 23.681	€ 24.791	€ 25.841	€ 26.585	€ 27.465	€ 28.574	€ 29.325	€ 30.072	€ 34.046	€ 34.795	€ 35.546	€ 36.290	€ 37.392	€ 38.145	€ 39.172	€ 39.914	€ 2.234	€ 716
900 cm	€ 16.019	€ 16.792	€ 17.845	€ 18.971	€ 19.742	€ 23.356	€ 24.114	€ 25.239	€ 26.296	€ 27.055	€ 27.942	€ 29.063	€ 29.828	€ 30.584	€ 34.660	€ 35.423	€ 36.185	€ 36.938	€ 38.054	€ 38.815	€ 39.855	€ 40.606	€ 2.333	€ 756
950 cm	€ 16.285	€ 17.065	€ 18.131	€ 19.271	€ 20.050	€ 23.772	€ 24.544	€ 25.676	€ 26.741	€ 27.513	€ 28.414	€ 29.542	€ 30.321	€ 31.085	€ 35.268	€ 36.044	€ 36.816	€ 37.581	€ 38.705	€ 39.478	€ 40.527	€ 41.290	€ 2.431	€ 796
1000 cm	€ 16.548	€ 17.337	€ 18.416	€ 19.567	€ 20.355	€ 24.186	€ 24.971	€ 26.111	€ 27.185	€ 27.969	€ 28.883	€ 30.020	€ 30.811	€ 31.584	€ 35.874	€ 36.663	€ 37.442	€ 38.221	€ 39.352	€ 40.139	€ 41.195	€ 41.972	€ 2.530	€ 836
1050 cm	€ 16.811	€ 17.610	€ 18.700	€ 19.864	€ 20.661	€ 24.599	€ 25.399	€ 26.546	€ 27.628	€ 28.425	€ 29.352	€ 30.498	€ 31.301	€ 32.084	€ 36.481	€ 37.282	€ 38.069	€ 38.861	€ 40.000	€ 40.800	€ 41.863	€ 42.653	€ 2.629	€ 877
1100 cm	€ 17.074	€ 17.882	€ 18.985	€ 20.160	€ 20.966	€ 25.013	€ 25.826	€ 26.981	€ 28.072	€ 28.880	€ 29.821	€ 30.976	€ 31.791	€ 32.583	€ 37.088	€ 37.900	€ 38.695	€ 39.501	€ 40.647	€ 41.460	€ 42.531	€ 43.335	€ 2.728	€ 916
1150 cm	€ 17.338	€ 18.155	€ 19.269	€ 20.456	€ 21.272	€ 25.427	€ 26.253	€ 27.415	€ 28.516	€ 29.336	€ 30.291	€ 31.454	€ 32.282	€ 33.083	€ 37.694	€ 38.519	€ 39.321	€ 40.141	€ 41.294	€ 42.121	€ 43.200	€ 44.017	€ 2.826	€ 957
1200 cm	€ 17.601	€ 18.427	€ 19.554	€ 20.753	€ 21.578	€ 25.841	€ 26.681	€ 27.850	€ 28.959	€ 29.792	€ 30.760	€ 31.932	€ 32.772	€ 33.582	€ 38.301	€ 39.138	€ 39.948	€ 40.781	€ 41.941	€ 42.782	€ 43.868	€ 44.698	€ 2.925	€ 997

FS3	€ 234	€ 245	€ 267	€ 294	€ 318	€ 342	€ 367	€ 391	€ 415	€ 439	€ 565	€ 589	€ 613	€ 638	€ 664	€ 688	€ 712	€ 737	€ 761	€ 785	€ 810	€ 834
FS5-A	€ 43	€ 54	€ 64	€ 73	€ 84	€ 93	€ 105	€ 114	€ 125	€ 135	€ 146	€ 155	€ 166	€ 176	€ 187	€ 196	€ 208	€ 217	€ 228	€ 237	€ 249	€ 258
FS5-E	€ 59	€ 75	€ 88	€ 100	€ 116	€ 129	€ 144	€ 157	€ 173	€ 185	€ 201	€ 214	€ 229	€ 242	€ 257	€ 270	€ 286	€ 299	€ 314	€ 327	€ 342	€ 355

FS3	Gutter System (For One Side)
FS5-A	Additional Fabric Support Profile (Standard)
FS5-E	Additional Fabric Support Profile (3 Axis)
FS4	Additional Rail for Compact Series- Al. - 75x120mm
FS8	Lighting System
FS9-C	Side Beam for Compact Series- Al. - 80x130mm

FS8	
FS8-S	SPOT
FS8-L	LINEAR
FS8-LR (RGB)	LINEAR (RGB)

LED TYPE & MODULE		
2 LED	3 LED	4 LED
€ 132	€ 160	€ 189
€ 189	€ 245	
€ 240	€ 311	

Notes:

- Any Side Beam is not included in the price.
- FS Flexy Plain/3D or Stam 6002 is included in the price.
- Motor and Remote control is included in the price.
- Palmiye Aluminium Coating Catalogue includes the standard colours with no extra cost. For any other type/brand/colour of paint, price difference and additional delivery duration shall be checked from your customer representative.
- Standard fabric support profile plastic colours are specified in Palmiye Aluminium Coating Catalogue.
- The gutter option price is for one side and must be added separately for each side.
- In pergolas including steel front pillars, if gutter option is preferred, external water drainage points will be specified according to the Project and will be priced additionally.

DEDUCTIONS

Price deduction is applicable only for back pillars and back beam. Deduction amount shall be consider as 70% of related option price.

OPTIONS

FS10-150ST3	Extra pillar (150x150x3mm St.)	€ 952	pcs
FS10-150ST5	Extra pillar (150x150x5mm St.)	€ 1.331	pcs
FS10-150ST5-H	Extra Half pillar (150x150x5mm St.)	€ 160	pcs
FS11	Deco ceiling cover	€ 70	m ²
FS15-C	Side beam pillar (80x80mm - Al)	€ 392	pcs
FS19	Fix louver	€ 73	lm
FS24	W96 Ceiling Cover	€ 81	m ²
FS26	Exclusive fabric difference (up to 800cm width)	€ 48	m ²
FS28-1	Stainless steel chain - 100 cm	€ 77	1m
FS28-2	Stainless steel chain - 200 cm	€ 149	2m
FS28-3	Stainless steel chain - 300 cm	€ 217	3m
FS28-4	Stainless steel chain - 400 cm	€ 290	4m
FS29-1	Sun Sensor (SUNIS) (for single motor)	€ 604	pcs
FS29-1S	Sun Sensor (SUNIS) (for synchronized motor)	€ 962	pcs
FS29-2	Wind Sensor (EOLIS RTS) (for single motor)	€ 284	pcs
FS29-2S	Wind Sensor (EOLIS RTS) (for synchronized motor)	€ 639	pcs
FS29-3	Sun and Wind Sensor (SOLIRIS RTS) (for single motor)	€ 322	pcs
FS29-3S	Sun and Wind Sensor (SOLIRIS RTS) (for synchronized motor)	€ 676	pcs
FS29-42	Rain Sensor (ONDEIS) (for single motor)	€ 558	pcs
FS29-4S3	Rain Sensor (ONDEIS) (for synchronized motor)	€ 912	pcs
FS30	CONNEXOON	€ 510	pcs

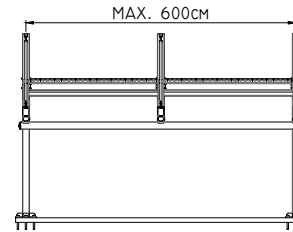
Notes:

1. Fabric support profiles can be painted in the same color as the general construction. No fee is paid for this process. However, the plastic color should be specified from our standard plastic colours in Palmiye Color Chart.
2. For one product, a dry contact transmitter costing 358€, must be added.
3. Up to 5 products, a RS485 Automation interface dry contact transmitter costing 1094€, must be added.

EXTENSIONS

Rail	Compact - 75x120mm	€ 200	lm
Beam	Al. 40x120mm	€ 63	lm
Beam	Al. 42x150mm	€ 102	lm
Beam	Al. 50x150mm	€ 180	lm
Beam	Al. 80x130mm	€ 96	lm
Beam	Al. 100x150mm	€ 151	lm
Beam	St. 100x150x3mm	€ 310	lm
Beam	St. 100x150x5mm	€ 377	lm
Beam	St. 100x200x3mm	€ 315	lm
Beam	St. 100x200x5mm	€ 449	lm
Fabric protection cover	Al. - 63x__cm	€ 59	m ²
Gutter	Special Profile	€ 44	lm

*Max. St 3mm. Pillar (St. 100x100x3mm) height is 380cm
 *Max. St. 5mm Pillar (St. 100x100x5mm) height is 480cm



- The front beam can not be produced in steel.
- Ground flanges are 380x380x15 mm.
- When pillar reduction is applied, half pillar must be installed at the back of each rail shaft, and steel back pillars and back beam should be 150x150 mm.
- In condition of adding an additional rail, a steel 150x150x3m back pillar should also be added.

PRICE DIFFERENCE

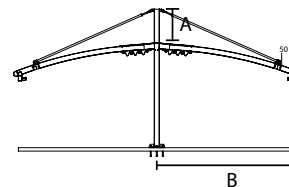
Pillar	PILLAR GROUP	
	Standard	St. 150x150x3mm
to	St. 150x150x5mm	€ 520 pcs

STANDARD CONSTRUCTION

PROJECTION	WIDTH																						
	250	300	350	400	450	500	550	600	650	700	750	800	850	900	950	1000	1050	1100	1150	1200	1250	1300	
400 cm																							
500 cm																							
600 cm																							
700 cm																							
800 cm																							
900 cm																							
1000 cm																							
1100 cm																							
1200 cm																							
1250 cm																							
1300 cm																							

Pillars & Back Beam
 150x150x3mm Steel
 150x150x5mm Steel

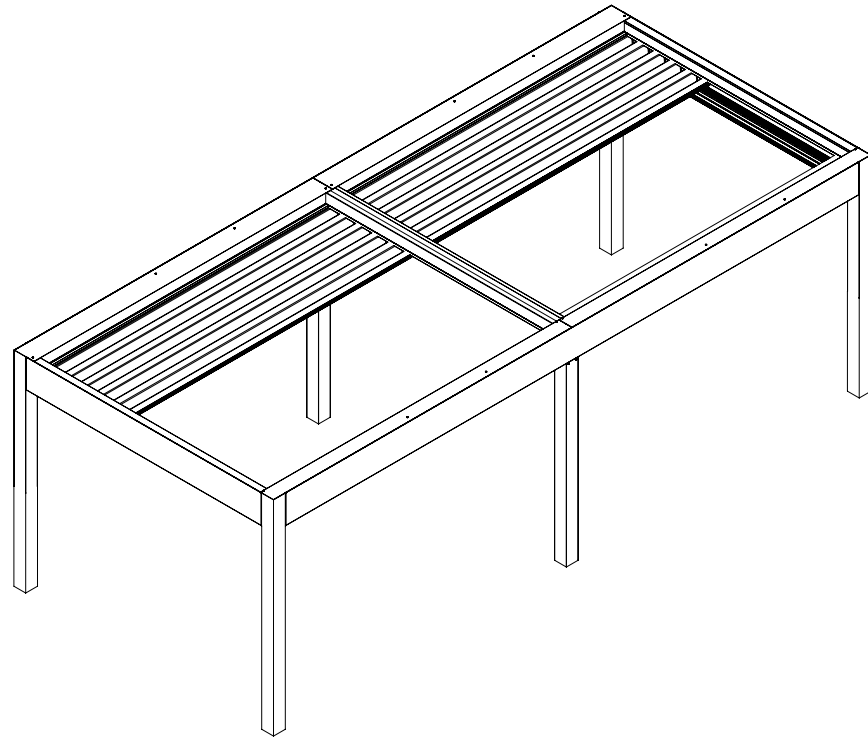
- * In case of reducing middle pillars, distance between the pillars can be maximum 600 cm.
- ** Steel with a wall thickness of 5 mm must be used in all cases where the pillar is reduced.



MINIMUM "A" VALUES

B (cm)	250	300	350	400	450	500	550	600
A (cm)	50	50	50	60	70	80	90	100

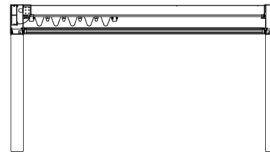
Upper values will be evaluated on a project basis.



SATIN S

PRODUCT FORMS

- SATIN S

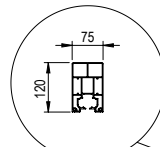


SATIN S

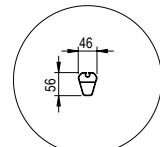


MAXIMUM DIMENSIONS

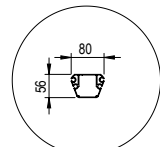
	WIDTH	PROJECTION
Single Fabric	400 cm	800 cm
Double Fabric	800 cm	600 cm



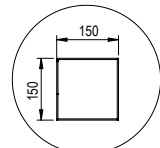
ALM.PRF.P1018
Aluminum Rail Profile



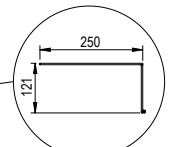
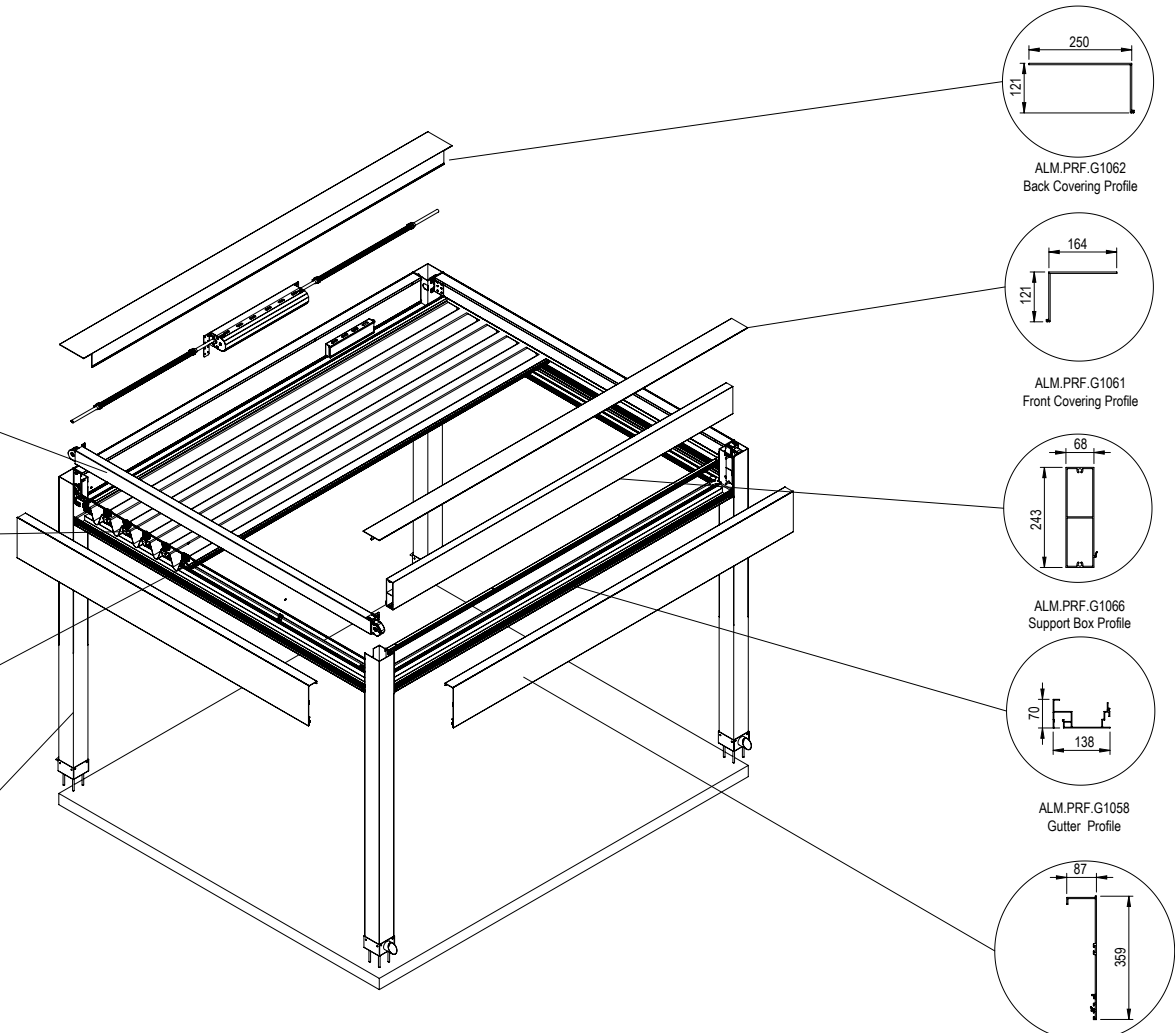
ALM.PRF.P1002
Aluminum fabric profile | Single channeled



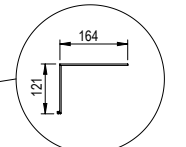
ALM.PRF.P1001
Aluminum fabric profile | Double channeled



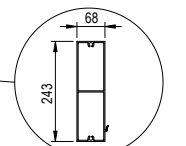
ALM.PRF.G4033
Aluminum pillar profile | 150x150mm



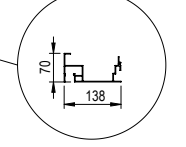
ALM.PRF.G1062
Back Covering Profile



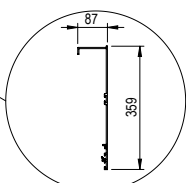
ALM.PRF.G1061
Front Covering Profile



ALM.PRF.G1066
Support Box Profile



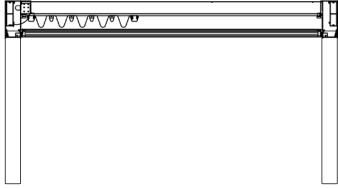
ALM.PRF.G1058
Gutter Profile



ALM.PRF.G1059
Face Profile

TECHNICAL FEATURES

COLLECTED FABRIC DIMENSIONS

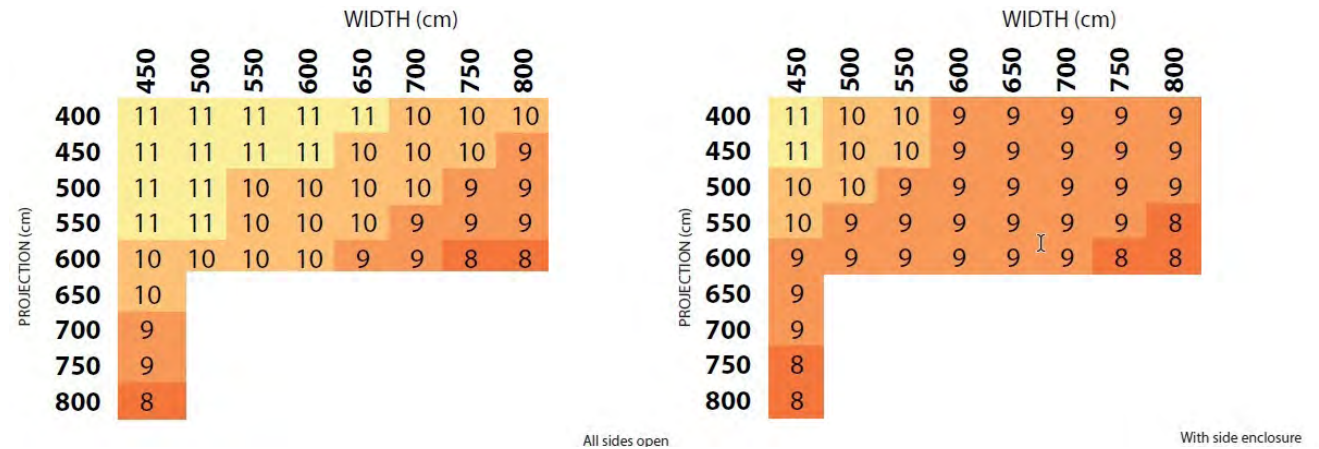


Carrier Q'ty	Collected dimension (Fabric)	Total Projection	Parking area
7	61cm	250cm	24%
8	67cm	282cm	24%
9	74cm	314cm	23%
10	80cm	346cm	23%
11	87cm	378cm	23%
12	93cm	410cm	23%
13	100cm	442cm	23%
14	106cm	474cm	22%
15	113cm	506cm	22%
16	119cm	538cm	22%
17	126cm	570cm	22%
18	132cm	602cm	22%
19	139cm	634cm	22%
29	145cm	666cm	22%
21	152cm	698cm	22%
22	158cm	730cm	22%
23	165cm	762cm	22%
24	171cm	794cm	22%

DRAINAGE CALCULATION

For each fabric;
 If ceiling area is smaller than 20 m², one water outlet point ,
 If ceiling area is bigger than 20 m², two water outlet points
 should be applied to the system.

WIND RESISTANCE

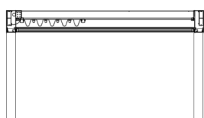


*The values are given according to the Beaufort scale.

**Calculated for Products with a front height of 250 cm according to Eurocode EN 1991-1-4 Terrain Category 4.

*** You can ask for new calculations for special designs.

SATIN S



Projection	SINGLE FABRIC				DOUBLE FABRIC							
	250 cm	300 cm	350 cm	400 cm	450 cm	500 cm	550 cm	600 cm	650 cm	700 cm	750 cm	800 cm
200 cm	€ 9.532	€ 9.933	€ 10.486	€ 11.049	€ 13.254	€ 13.942	€ 14.950	€ 16.027	€ 17.174	€ 17.291	€ 18.429	€ 18.514
250 cm	€ 9.979	€ 10.581	€ 11.122	€ 11.538	€ 14.519	€ 15.255	€ 16.275	€ 17.342	€ 18.544	€ 18.623	€ 19.776	€ 19.862
300 cm	€ 10.681	€ 11.352	€ 12.051	€ 12.537	€ 14.990	€ 15.759	€ 16.770	€ 17.869	€ 19.070	€ 19.151	€ 20.332	€ 20.420
350 cm	€ 11.329	€ 11.822	€ 12.539	€ 13.229	€ 16.092	€ 16.973	€ 18.085	€ 19.227	€ 20.527	€ 20.681	€ 21.961	€ 22.121
400 cm	€ 11.884	€ 12.393	€ 13.118	€ 13.731	€ 16.424	€ 17.341	€ 18.435	€ 19.579	€ 20.893	€ 21.048	€ 22.342	€ 22.504
450 cm	€ 12.550	€ 13.080	€ 13.741	€ 14.356	€ 17.108	€ 18.038	€ 19.134	€ 20.279	€ 21.622	€ 21.779	€ 23.102	€ 23.266
500 cm	€ 13.041	€ 13.586	€ 14.259	€ 14.661	€ 17.262	€ 18.199	€ 19.297	€ 20.443	€ 21.801	€ 21.959	€ 23.297	€ 23.461
550 cm	€ 13.808	€ 14.617	€ 15.360	€ 15.721	€ 18.276	€ 19.261	€ 20.360	€ 21.508	€ 22.895	€ 23.055	€ 24.421	€ 24.587
600 cm	€ 13.945	€ 14.747	€ 15.488	€ 16.385	€ 18.423	€ 19.416	€ 20.516	€ 21.666	€ 23.067	€ 23.228	€ 24.609	€ 24.777
650 cm	€ 14.965	€ 15.813	€ 16.594	€ 17.156								
700 cm	€ 15.094	€ 15.934	€ 16.708	€ 17.539								
750 cm	€ 16.049	€ 16.895	€ 17.676	€ 18.666								
800 cm	€ 16.414	€ 17.310	€ 18.138	€ 18.991								
FS5-A	€ 43	€ 54	€ 64	€ 73	€ 84	€ 93	€ 105	€ 114	€ 125	€ 135	€ 146	€ 155

FS9 (Side Beam Al.- 50x150mm)	FS9-2 (Side Beam Al.- 100x150mm)	FS9-3 (Side Beam Al.- 150x150mm)
€ 236	€ 185	€ 246
€ 284	€ 217	€ 286
€ 333	€ 248	€ 325
€ 381	€ 280	€ 365
€ 430	€ 311	€ 405
€ 479	€ 343	€ 445
€ 527	€ 374	€ 485
€ 576	€ 406	€ 525
€ 625	€ 438	€ 565
€ 673	€ 469	€ 604
€ 722	€ 501	€ 644
€ 770	€ 532	€ 684
€ 819	€ 564	€ 724

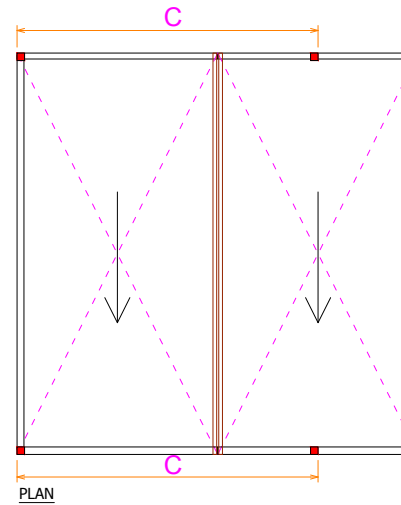
FS5-A	Additional Fabric Support Profile (Standard)	LED TYPE & MODULE		
FS8	Lighting System	FS8		
FS9	Side Beam Al.-50x150mm	FS8-S	SPOT	2 LED
FS9-2	Side Beam Al.-100x150mm	FS8-L	LINEAR	3 LED
FS9-3	Side Beam Al.-150x150mm	FS8-LR (RGB)	LINEAR (RGB)	4 LED
				€ 132
				€ 189
				€ 240
				€ 160
				€ 245
				€ 311
				€ 189

Notes:

- Any Side Beam is not included in the price.
- FS Flexy Plain/3D or Stam 6002 is included in the price.
- Motor and Remote control is included in the price.
- Palmiye Aluminium Coating Catalogue includes the standard colours with no extra cost. For any other type/brand/color of paint, price difference and additional delivery duration shall be checked from your customer representative.
- Standard fabric support profile plastic colours are specified in Palmiye Aluminium Coating Catalogue.
- RGB colours only applicable in linear lighting option.

OPTIONS

FS10	Extra pillar (100x100mm Al.)	€ 532	pcs
FS15	Side beam pillar (50x100mm - Al)	€ 276	pcs
FS15-B	Side beam pillar (100x100mm - Al)	€ 532	pcs
FS19	Fix louver	€ 73	lm
FS24	W96 Ceiling Cover	€ 81	m ²
FS25 ¹	Fabric support profile special color	€ 17	m ²
FS29-1	Sun Sensor (SUNIS) (for single motor)	€ 604	pcs
FS29-2	Wind Sensor (EOLIS RTS) (for single motor)	€ 284	pcs
FS29-3	Sun and Wind Sensor (SOLIRIS RTS) (for single motor)	€ 322	pcs
FS29-4 ²	Rain Sensor (ONDEIS) (for single motor)	€ 558	pcs
FS30	CONNEXOON	€ 510	pcs
BP4	Perimeter LED	€ 64	lm
BP4-RGB	Perimeter RGB LED	€ 70	lm
BP5-B	Extra Pillar (150x150x3 mm - Al)	€ 392	set
BP14-P1	Hidden Anchorage set for Plus - Prestige (with drainage)	€ 109	set
BP14-P2	Hidden Anchorage set for Plus - Prestige (without drainage)	€ 56	set

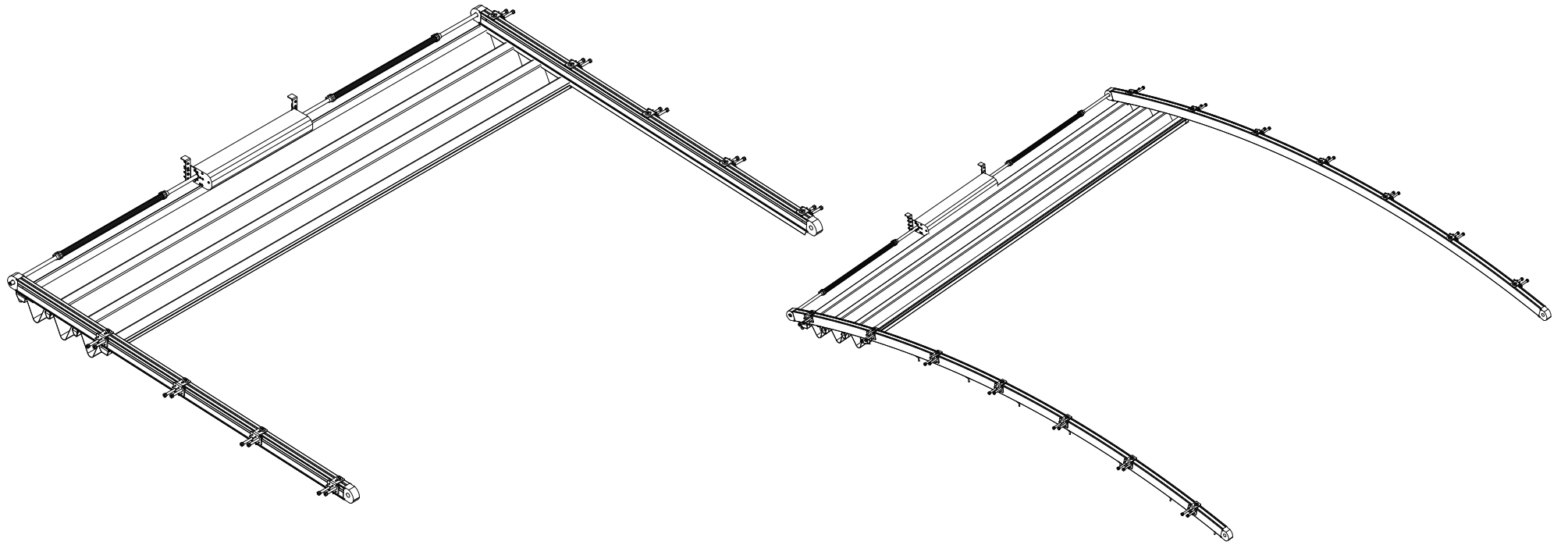


In double fabric type, C dimension can be maximum 6m without any support pillar.

The pergola height can be max. 350cm

Notes:

1. Fabric support profiles can be painted in the same color as the general construction. No fee is paid for this process. However, the plastic color should be specified from our standard plastic colours in Palmiye Color Chart.
2. For one product, a dry contact transmitter costing 358€, must be added.
3. Up to 5 products, a RS485 Automation interface dry contact transmitter costing 1094€, must be added.
4. Not possible to mount the gutter profile on top of a steel construction.
5. Module combination can not be made.



LEGEND

PRODUCT FORMS

- Legend Flat



-
- Legend Rounded



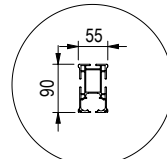
LEGEND

Flat



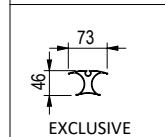
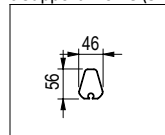
MAXIMUM DIMENSIONS

	WIDTH	PROJECTION
2 RAILS	450 cm	1000 cm
3 RAILS	900 cm	1000 cm
4 RAILS	1300 cm	700 cm



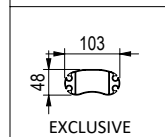
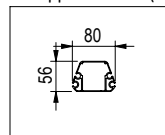
ALM.PRF.P1004
Rail

ALM.PRF.P1002
Fabric Support Profile (Single)

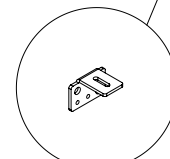


ALM.PRF.G1101
Fabric Support Profile (Single)

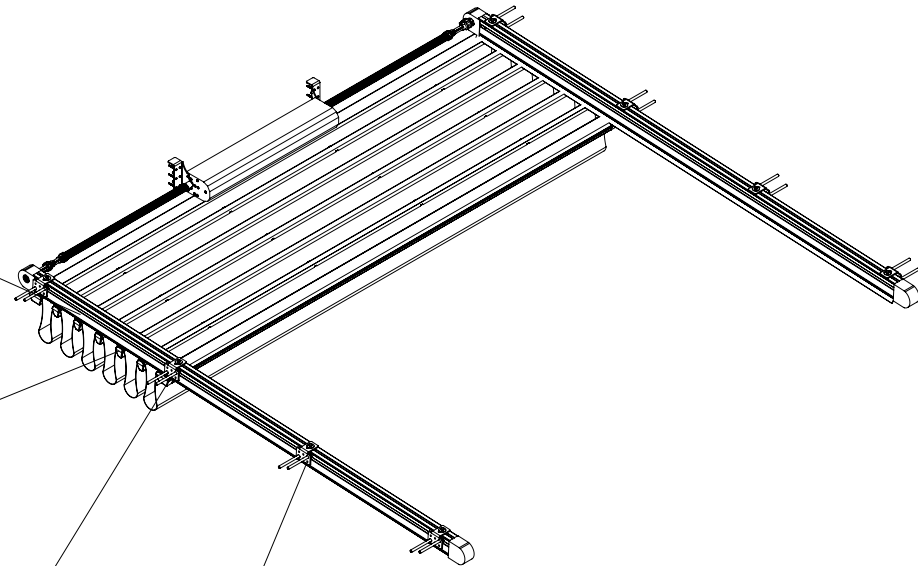
ALM.PRF.P1001
Fabric Support Profile (Double)



ALM.PRF.G1102
Fabric Support Profile (Double)

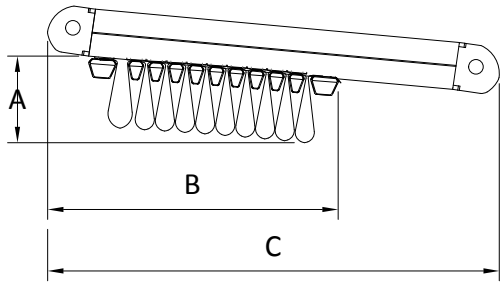


DMR.APR.P1037
Hanging Apparatus



TECHNICAL FEATURES

COLLECTED FABRIC DIMENSIONS

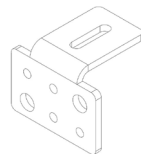


TILTED VERSION

Projection cm

No of Fabric Support Profiles	185	235	284	334	383	433	482	532	581	631	680	729	779	828	878	927	977	C
4	34																	61
5		35																68
6			36															74
7				37														81
8					38													87
9						39												94
10							40											100
11								41										107
12									42									113
14										44								126
15											45							133
16												46						139
17													47					146
18														48				152
19															49			159
20																50		165
21																	51	172

*Calculated according to a slope of 15%



- Number of wall bracket calculation: Projection /150cm.
- Legend model can be flat or inclined.

MINIMUM SLOPE CHART

Slope	6,4-7,9%	7,4-8,8%	8,4-9,7%	9,4-10,8%	10,4-12%	11,2-12,7%	12-13,4%	13-14,5%	14-15,7%	15-16,6%	16-17,6%
Rail Center											
	200	225	250	275	300	325	350	375	400	425	450
250	16	19	21	24	26	28	30	33	35	38	40
300	20	23	26	29	31	34	37	40	42	45	48
350	23	27	30	34	37	40	43	46	49	53	56
400	27	31	35	39	42	46	49	53	57	61	64
450	32	36	40	44	48	52	56	60	64	69	73
500	36	41	45	50	54	59	63	68	72	77	81
550	40	45	50	55	60	65	70	75	80	85	90
600	44	50	55	61	66	72	77	83	88	94	99
650	49	55	61	67	72	78	84	90	96	102	108
700	54	60	66	73	79	85	91	98	104	111	117
750	59	66	72	79	85	92	99	106	112	119	126
800	63	70	77	85	92	99	106	114	121	129	136
850	67	75	82	91	99	106	113	122	130	138	146
900	71	79	87	97	106	113	120	130	139	148	156
950	75	84	92	103	113	120	127	138	148	157	166
1000	79	88	97	109	120	127	134	146	157	167	176

*Note: Max. slope can be up to 25%

LEGEND Flat



Projection	Width																			FS4-SP	FS21			
	2 RAILS					3 RAILS									4 RAILS									
	250 cm	300 cm	350 cm	400 cm	450 cm	500 cm	550 cm	600 cm	650 cm	700 cm	750 cm	800 cm	850 cm	900 cm	950 cm	1000 cm	1050 cm	1100 cm	1150 cm	1200 cm	1250 cm	1300 cm		
200 cm	€ 4.235	€ 4.444	€ 4.739	€ 5.038	€ 5.248	€ 6.175	€ 6.380	€ 6.584	€ 6.972	€ 7.144	€ 7.288	€ 7.489	€ 7.692	€ 7.897	€ 8.919	€ 9.119	€ 9.322	€ 9.525	€ 9.728	€ 9.885	€ 10.155	€ 10.469	€ 1.575	€ 372
250 cm	€ 4.410	€ 4.732	€ 5.018	€ 5.234	€ 5.450	€ 6.467	€ 6.791	€ 7.000	€ 7.286	€ 7.465	€ 7.615	€ 7.936	€ 8.258	€ 8.354	€ 9.344	€ 9.553	€ 9.873	€ 10.081	€ 10.292	€ 10.454	€ 10.734	€ 11.053	€ 1.689	€ 464
300 cm	€ 4.727	€ 5.087	€ 5.411	€ 5.665	€ 5.918	€ 7.065	€ 7.427	€ 7.677	€ 8.001	€ 8.214	€ 8.404	€ 8.762	€ 9.124	€ 9.262	€ 10.355	€ 10.603	€ 10.963	€ 11.209	€ 11.459	€ 11.652	€ 11.970	€ 12.326	€ 1.804	€ 558
350 cm	€ 5.015	€ 5.275	€ 5.606	€ 5.972	€ 6.233	€ 7.476	€ 7.736	€ 8.103	€ 8.437	€ 8.653	€ 8.851	€ 9.217	€ 9.590	€ 9.732	€ 11.014	€ 11.269	€ 11.526	€ 11.780	€ 12.145	€ 12.346	€ 12.671	€ 12.925	€ 1.920	€ 650
400 cm	€ 5.197	€ 5.465	€ 5.802	€ 6.175	€ 6.444	€ 7.777	€ 8.044	€ 8.419	€ 8.757	€ 8.982	€ 9.188	€ 9.561	€ 9.937	€ 10.090	€ 11.452	€ 11.714	€ 11.979	€ 12.240	€ 12.613	€ 12.821	€ 13.152	€ 13.413	€ 2.035	€ 744
450 cm	€ 5.385	€ 5.660	€ 6.005	€ 6.385	€ 6.660	€ 8.087	€ 8.361	€ 8.744	€ 9.090	€ 9.322	€ 9.535	€ 9.914	€ 10.299	€ 10.457	€ 11.903	€ 12.172	€ 12.442	€ 12.712	€ 13.094	€ 13.303	€ 13.644	€ 13.912	€ 2.151	€ 836
500 cm	€ 5.570	€ 5.851	€ 6.203	€ 6.591	€ 6.872	€ 8.391	€ 8.672	€ 9.062	€ 9.417	€ 9.652	€ 9.873	€ 10.261	€ 10.653	€ 10.819	€ 12.345	€ 12.622	€ 12.900	€ 13.175	€ 13.564	€ 13.780	€ 14.127	€ 14.404	€ 2.267	€ 930
550 cm	€ 5.894	€ 6.319	€ 6.707	€ 7.133	€ 7.452	€ 9.112	€ 9.541	€ 9.860	€ 10.366	€ 10.636	€ 10.894	€ 11.321	€ 11.753	€ 12.067	€ 13.573	€ 13.906	€ 14.334	€ 14.648	€ 15.073	€ 15.322	€ 15.707	€ 16.132	€ 2.382	€ 1.022
600 cm	€ 6.084	€ 6.516	€ 6.913	€ 7.345	€ 7.669	€ 9.422	€ 9.862	€ 10.187	€ 10.698	€ 10.975	€ 11.240	€ 11.675	€ 12.115	€ 12.436	€ 14.040	€ 14.364	€ 14.798	€ 15.121	€ 15.554	€ 15.806	€ 16.200	€ 16.633	€ 2.498	€ 1.115
650 cm	€ 6.269	€ 6.709	€ 7.111	€ 7.550	€ 7.885	€ 9.729	€ 10.176	€ 10.508	€ 11.027	€ 11.263	€ 11.531	€ 11.973	€ 12.413	€ 12.745	€ 14.487	€ 14.818	€ 15.203	€ 15.589	€ 16.031	€ 16.289	€ 16.688	€ 17.129	€ 2.613	€ 1.208
700 cm	€ 6.453	€ 6.900	€ 7.311	€ 7.758	€ 8.098	€ 10.035	€ 10.487	€ 10.831	€ 11.356	€ 11.593	€ 11.873	€ 12.321	€ 12.773	€ 13.107	€ 14.932	€ 15.269	€ 15.718	€ 16.057	€ 16.507	€ 16.768	€ 17.178	€ 17.624	€ 2.729	€ 1.300
750 cm	€ 6.640	€ 7.093	€ 7.511	€ 7.964	€ 8.311	€ 10.341	€ 10.801	€ 11.150	€ 11.685	€ 11.927	€ 12.212	€ 12.666	€ 13.125	€ 13.469	€ 15.378	€ 15.722	€ 16.179	€ 16.525	€ 16.980	€ 17.249	€ 17.666		€ 2.845	€ 1.393
800 cm	€ 6.966	€ 7.457	€ 7.910	€ 8.401	€ 8.785	€ 10.952	€ 11.451	€ 11.837	€ 12.410	€ 12.686	€ 13.010	€ 13.503	€ 13.998	€ 14.383	€ 16.406	€ 16.788	€ 17.282	€ 17.666	€ 18.161	€ 18.463			€ 2.960	€ 1.485
850 cm	€ 7.290	€ 7.820	€ 8.309	€ 8.838	€ 9.261	€ 11.560	€ 12.100	€ 12.524	€ 13.136	€ 13.444	€ 13.807	€ 14.339	€ 14.870	€ 15.296	€ 17.433	€ 17.852	€ 18.387	€ 18.808	€ 19.343				€ 3.079	
900 cm	€ 7.615	€ 8.183	€ 8.708	€ 9.274	€ 9.736	€ 12.171	€ 12.750	€ 13.211	€ 13.861	€ 14.203	€ 14.605	€ 15.173	€ 15.744	€ 16.211	€ 18.459	€ 18.918	€ 19.491	€ 19.948					€ 3.200	
950 cm	€ 7.941	€ 8.545	€ 9.108	€ 9.711	€ 10.210	€ 12.781	€ 13.400	€ 13.900	€ 14.586	€ 14.961	€ 15.404	€ 16.009	€ 16.616	€ 17.125	€ 19.486	€ 19.981	€ 20.594						€ 3.319	
1000 cm	€ 8.265	€ 8.908	€ 9.507	€ 10.150	€ 10.685	€ 13.391	€ 14.049	€ 14.587	€ 15.312	€ 15.720	€ 16.201	€ 16.844	€ 17.490	€ 18.040	€ 20.513	€ 21.046							€ 3.439	
FS3	€ 234	€ 245	€ 267	€ 294	€ 318	€ 342	€ 367	€ 391	€ 415	€ 439	€ 565	€ 589	€ 613	€ 638	€ 664	€ 688	€ 712	€ 737	€ 761	€ 785	€ 810	€ 834		
FS5-A	€ 43	€ 54	€ 64	€ 73	€ 84	€ 93	€ 105	€ 114	€ 125	€ 135	€ 146	€ 155	€ 166	€ 176	€ 187	€ 196	€ 208	€ 217	€ 228	€ 237	€ 249	€ 258		
FS5-E	€ 59	€ 75	€ 88	€ 100	€ 116	€ 129	€ 144	€ 157	€ 173	€ 185	€ 201	€ 214	€ 229	€ 242	€ 257	€ 270	€ 286	€ 299	€ 314	€ 327	€ 342	€ 355		
FS22	€ 180	€ 209	€ 239	€ 267	€ 297	€ 327	€ 357	€ 387	€ 415	€ 445	€ 475	€ 505	€ 535	€ 563	€ 593	€ 623	€ 653	€ 683	€ 711	€ 741	€ 770	€ 800		

FS3	Gutter System
FS5-A	Additional Fabric Support Profile (Standard)
FS5-E	Additional Fabric Support Profile (3 Axis)
FS4-SP	Additional Rail for Legend Series- Al.- 55x90mm
FS8	Lighting System
FS33	Z profile

FS8	
FS8-S	SPOT
FS8-L	LINEAR
FS8-LR (RGB)	LINEAR (RGB)

LED TYPE & MODULE		
2 LED	3 LED	4 LED
€ 132	€ 160	€ 189
€ 189	€ 245	
€ 240	€ 311	

Notes:

1. FS Flexy Plain/3D or Stam 6002 is included in the price.
2. Motor and Remote control is included in the price.
3. Palmiye Aluminium Coating Catalogue includes the standard colours with no extra cost. For any other type/brand/coulor of paint, price difference and additional delivery duration shall be checked from your customer representative.
4. Standard fabric support profile plastic colours are specified in Palmiye Aluminium Coating Catalogue.
5. If the fabric trapezium is chosen, its max. width should be 900 cm.
6. Turquoise lines defines trapezium product dimension range for outdoor areas.
7. Standard wall brackets are included in the price. Any other special designed wall brackets will be priced additionally.

DEDUCTIONS

Price deduction is applicable only for front & back pillars and side beam. Deduction amount shall be consider as 70% of related option price.

OPTIONS

FS6	Trapezium ceiling cover (up to 900 cm width)	€ 92	m ²
FS11	Deco ceiling cover	€ 70	m ²
FS24	W96 Ceiling Cover	€ 81	m ²
FS25 ¹	Fabric support profile special color	€ 17	m ²
FS26	Exclusive fabric difference (up to 800cm width)	€ 48	m ²
FS28-1	Stainless steel chain - 100 cm	€ 77	1m
FS28-2	Stainless steel chain - 200 cm	€ 149	2m
FS28-3	Stainless steel chain - 300 cm	€ 217	3m
FS28-4	Stainless steel chain - 400 cm	€ 290	4m
FS29-1	Sun Sensor (SUNIS) (for single motor)	€ 604	pcs
FS29-1S	Sun Sensor (SUNIS) (for synchronized motor)	€ 962	pcs
FS29-2	Wind Sensor (EOLIS RTS) (for single motor)	€ 284	pcs
FS29-2S	Wind Sensor (EOLIS RTS) (for synchronized motor)	€ 639	pcs
FS29-3	Sun and Wind Sensor (SOLIRIS RTS) (for single motor)	€ 322	pcs
FS29-3S	Sun and Wind Sensor (SOLIRIS RTS) (for synchronized motor)	€ 676	pcs
FS29-4 ²	Rain Sensor (ONDEIS) (for single motor)	€ 558	pcs
FS29-4S ³	Rain Sensor (ONDEIS) (for synchronized motor)	€ 912	pcs
FS30	CONNEXOON	€ 510	pcs

Notes:

1. Fabric support profiles can be painted in the same color as the general construction. No fee is paid for this process. However, the plastic color should be specified from our standard plastic colours in Palmiye Color Chart.
2. For one product, a dry contact transmitter costing 358€, must be added.
3. Up to 5 products, a RS485 Automation interface dry contact transmitter costing 1094€, must be added.

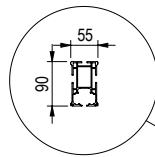
LEGEND

Rounded



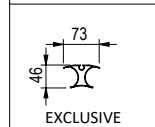
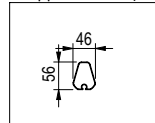
MAXIMUM DIMENSIONS

	WIDTH	PROJECTION
2 RAILS	400 cm	800 cm
3 RAILS	800 cm	800 cm
4 RAILS	1200 cm	800 cm
4 RAILS	1300 cm	800 cm



ALM.PRF.P1004
Rail

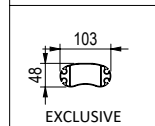
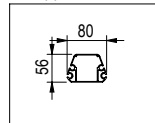
ALM.PRF.P1002
Fabric Support Profile (Single)



EXCLUSIVE
ALM.PRF.G1101

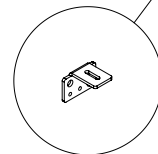
Fabric Support Profile (Single)

ALM.PRF.P1001
Fabric Support Profile (Double)

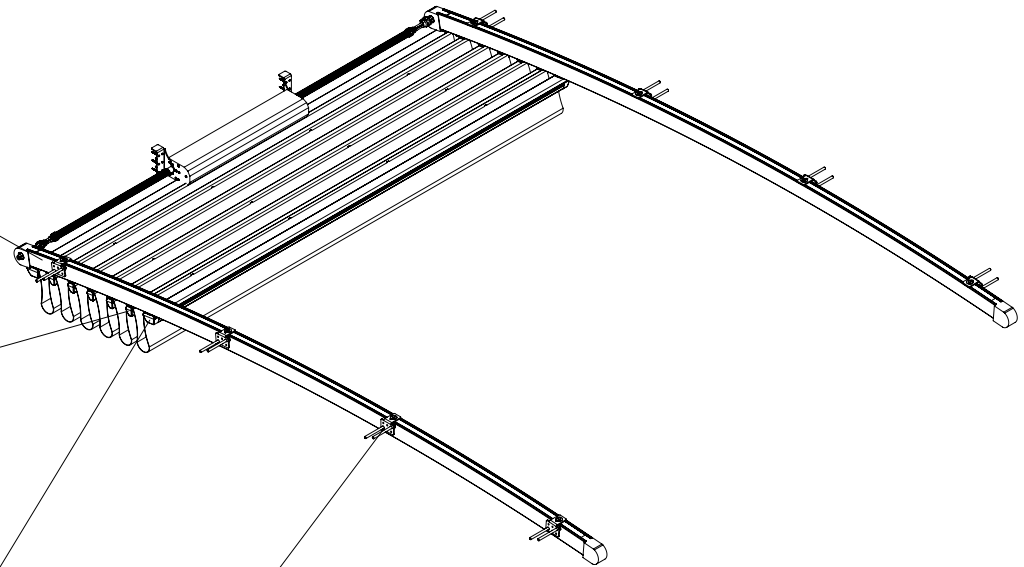


EXCLUSIVE
ALM.PRF.G1102

Fabric Support Profile (Double)

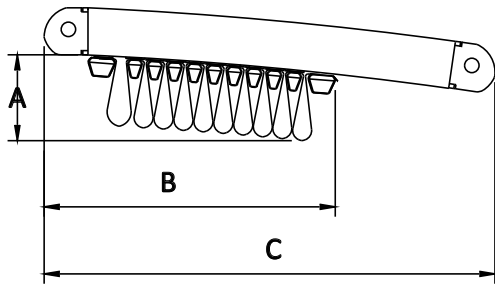


DMR.APR.P1037
Hanging Apparatus



TECHNICAL FEATURES

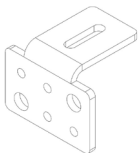
COLLECTED FABRIC DIMENSIONS



No of Fabric Support Profiles	TILTED VERSION													C	
	200	250	300	350	400	450	500	550	600	650	700	750	800		Projection cm
5	30														68
6		31													74
7			32												81
9				34											94
10					35										100
11						36									107
13							38								120
14								39							127
15									40						133
17										42					146
18											43				152
19												44			159
21													46		172

*Calculated according to a slope of 15%

Number of wall bracket calculation: Projection /150cm.



LEGEND Rounded

Width
Projection

	2 RAILS				3 RAILS								4 RAILS								5 RAILS		FS4-SP
	250 cm	300 cm	350 cm	400 cm	450 cm	500 cm	550 cm	600 cm	650 cm	700 cm	750 cm	800 cm	850 cm	900 cm	950 cm	1000 cm	1050 cm	1100 cm	1150 cm	1200 cm	1250 cm	1300 cm	
200 cm	€ 5.647	€ 5.925	€ 6.318	€ 6.718	€ 6.995	€ 8.233	€ 8.505	€ 8.778	€ 9.296	€ 9.525	€ 9.716	€ 9.985	€ 10.256	€ 10.527	€ 11.890	€ 12.160	€ 12.429	€ 12.699	€ 12.968	€ 13.179	€ 13.540	€ 13.958	€ 1.575
250 cm	€ 5.879	€ 6.309	€ 6.690	€ 6.980	€ 7.267	€ 8.621	€ 9.054	€ 9.335	€ 9.714	€ 9.952	€ 10.152	€ 10.580	€ 11.010	€ 11.139	€ 12.459	€ 12.736	€ 13.165	€ 13.442	€ 13.721	€ 13.937	€ 14.312	€ 14.737	€ 1.689
300 cm	€ 6.304	€ 6.784	€ 7.214	€ 7.553	€ 7.890	€ 9.421	€ 9.903	€ 10.236	€ 10.667	€ 10.952	€ 11.205	€ 11.683	€ 12.164	€ 12.348	€ 13.807	€ 14.135	€ 14.618	€ 14.944	€ 15.278	€ 15.536	€ 15.960	€ 16.435	€ 1.804
350 cm	€ 6.687	€ 7.033	€ 7.474	€ 7.964	€ 8.308	€ 9.969	€ 10.314	€ 10.803	€ 11.249	€ 11.538	€ 11.799	€ 12.290	€ 12.789	€ 12.974	€ 14.685	€ 15.025	€ 15.367	€ 15.704	€ 16.192	€ 16.462	€ 16.894	€ 17.232	€ 1.920
400 cm	€ 6.928	€ 7.285	€ 7.736	€ 8.234	€ 8.591	€ 10.369	€ 10.725	€ 11.225	€ 11.676	€ 11.976	€ 12.248	€ 12.746	€ 13.248	€ 13.452	€ 15.268	€ 15.619	€ 15.972	€ 16.319	€ 16.817	€ 17.092	€ 17.536	€ 17.885	€ 2.035
450 cm	€ 7.180	€ 7.546	€ 8.005	€ 8.515	€ 8.880	€ 10.784	€ 11.149	€ 11.658	€ 12.119	€ 12.429	€ 12.712	€ 13.219	€ 13.732	€ 13.943	€ 15.869	€ 16.230	€ 16.590	€ 16.950	€ 17.457	€ 17.738	€ 18.190	€ 18.549	€ 2.151
500 cm	€ 7.425	€ 7.802	€ 8.270	€ 8.789	€ 9.163	€ 11.188	€ 11.561	€ 12.082	€ 12.555	€ 12.871	€ 13.163	€ 13.682	€ 14.205	€ 14.424	€ 16.459	€ 16.828	€ 17.199	€ 17.566	€ 18.085	€ 18.373	€ 18.837	€ 19.206	€ 2.267
550 cm	€ 7.859	€ 8.425	€ 8.944	€ 9.510	€ 9.934	€ 12.149	€ 12.723	€ 13.147	€ 13.819	€ 14.181	€ 14.524	€ 15.095	€ 15.670	€ 16.090	€ 18.095	€ 18.539	€ 19.110	€ 19.530	€ 20.098	€ 20.427	€ 20.940	€ 21.510	€ 2.382
600 cm	€ 8.112	€ 8.687	€ 9.218	€ 9.792	€ 10.225	€ 12.564	€ 13.148	€ 13.581	€ 14.263	€ 14.631	€ 14.987	€ 15.567	€ 16.151	€ 16.581	€ 18.719	€ 19.150	€ 19.730	€ 20.159	€ 20.737	€ 21.075	€ 21.599	€ 22.175	€ 2.498
650 cm	€ 8.358	€ 8.945	€ 9.482	€ 10.067	€ 10.513	€ 12.972	€ 13.566	€ 14.010	€ 14.703	€ 15.016	€ 15.374	€ 15.963	€ 16.550	€ 16.992	€ 19.314	€ 19.757	€ 20.270	€ 20.784	€ 21.374	€ 21.717	€ 22.252	€ 22.839	€ 2.613
700 cm	€ 8.604	€ 9.199	€ 9.747	€ 10.343	€ 10.796	€ 13.380	€ 13.983	€ 14.439	€ 15.142	€ 15.457	€ 15.828	€ 16.426	€ 17.030	€ 17.475	€ 19.910	€ 20.359	€ 20.957	€ 21.408	€ 22.008	€ 22.357	€ 22.903	€ 23.497	€ 2.729
750 cm	€ 8.854	€ 9.458	€ 10.014	€ 10.618	€ 11.082	€ 13.786	€ 14.401	€ 14.865	€ 15.579	€ 15.901	€ 16.281	€ 16.888	€ 17.499	€ 17.958	€ 20.504	€ 20.964	€ 21.572	€ 22.031	€ 22.639	€ 22.998	€ 23.552		€ 2.845
800 cm	€ 9.287	€ 9.941	€ 10.546	€ 11.201	€ 11.714	€ 14.601	€ 15.266	€ 15.781	€ 16.547	€ 16.914	€ 17.344	€ 18.003	€ 18.663	€ 19.176	€ 21.872	€ 22.383	€ 23.044	€ 23.553	€ 24.213	€ 24.617			€ 2.960

FS3	€ 234	€ 245	€ 267	€ 294	€ 318	€ 342	€ 367	€ 391	€ 415	€ 439	€ 565	€ 589	€ 613	€ 638	€ 664	€ 688	€ 712	€ 737	€ 761	€ 785	€ 810	€ 834
FS5-A	€ 43	€ 54	€ 64	€ 73	€ 84	€ 93	€ 105	€ 114	€ 125	€ 135	€ 146	€ 155	€ 166	€ 176	€ 187	€ 196	€ 208	€ 217	€ 228	€ 237	€ 249	€ 258
FS5-E	€ 59	€ 75	€ 88	€ 100	€ 116	€ 129	€ 144	€ 157	€ 173	€ 185	€ 201	€ 214	€ 229	€ 242	€ 257	€ 270	€ 286	€ 299	€ 314	€ 327	€ 342	€ 355
FS22	€ 180	€ 209	€ 239	€ 267	€ 297	€ 327	€ 357	€ 387	€ 415	€ 445	€ 475	€ 505	€ 535	€ 563	€ 593	€ 623	€ 653	€ 683	€ 711	€ 741	€ 770	€ 800

FS3	Gutter System
FS5-A	Additional Fabric Support Profile (Standard)
FS5-E	Additional Fabric Support Profile (3 Axis)
FS4-SP	Additional Rail for Legend Series- AL.- 55x90mm
FS8	Lighting System
FS22	Fabric Protection Cover

FS8	
FS8-S	SPOT
FS8-L	LINEAR
FS8-LR (RGB)	LINEAR (RGB)

LED TYPE & MODULE		
2 LED	3 LED	4 LED
€ 132	€ 160	€ 189
€ 189	€ 245	
€ 240	€ 311	

Notes:

- FS Flexy Plain/3D or Stam 6002 is included in the price.
- Motor and Remote control is included in the price.
- Palmiye Aluminium Coating Catalogue includes the standard colours with no extra cost. For any other type/brand/color of paint, price difference and additional delivery duration shall be checked from your customer representative.
- Standard fabric support profile plastic colours are specified in Palmiye Aluminium Coating Catalogue.
- Standard fabric support profile plastic colours are specified in Palmiye Aluminium Coating Catalogue.
- Wall brackets are included in the price.
- Standard wall brackets are included in the price. Any other special designed wall brackets will be priced additionally.

DEDUCTIONS

Price deduction is applicable only for front & back pillars and side beam. Deduction amount shall be consider as 70% of related option price.

OPTIONS

FS11	Deco ceiling cover	€ 70	m ²
FS13-A	Wavy ceiling cover (for flexy fabric) (up to 350 cm width)	€ 36	m ²
FS25 ¹	Fabric support profile special color	€ 17	m ²
FS26	Exclusive fabric difference (up to 800cm width)	€ 48	m ²
FS28-1	Stainless steel chain - 100 cm	€ 77	1m
FS28-2	Stainless steel chain - 200 cm	€ 149	2m
FS28-3	Stainless steel chain - 300 cm	€ 217	3m
FS28-4	Stainless steel chain - 400 cm	€ 290	4m
FS29-1	Sun Sensor (SUNIS) (for single motor)	€ 604	pcs
FS29-1S	Sun Sensor (SUNIS) (for synchronized motor)	€ 962	pcs
FS29-2	Wind Sensor (EOLIS RTS) (for single motor)	€ 284	pcs
FS29-2S	Wind Sensor (EOLIS RTS) (for synchronized motor)	€ 639	pcs
FS29-3	Sun and Wind Sensor (SOLIRIS RTS) (for single motor)	€ 322	pcs
FS29-3S	Sun and Wind Sensor (SOLIRIS RTS) (for synchronized motor)	€ 676	pcs
FS29-4 ²	Rain Sensor (ONDEIS) (for single motor)	€ 558	pcs
FS29-4S ³	Rain Sensor (ONDEIS) (for synchronized motor)	€ 912	pcs
FS30	CONNEXOON	€ 510	pcs

Notes:

1. Fabric support profiles can be painted in the same color as the general construction. No fee is paid for this process. However, the plastic color should be specified from our standard plastic colours in Palmiye Color Chart.
2. For one product, a dry contact transmitter costing 358€, must be added.
3. Up to 5 products, a RS485 Automation interface dry contact transmitter costing 1094€, must be added.



www.palmiye.eu