



L1600 SERIES

PRICE LIST / 2026

MADE FOR OUTDOOR LIFE



MADE FOR OUTDOOR LIFE

INDEX

INCLINED

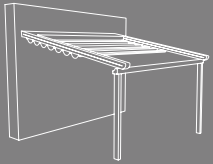
STANDING SYSTEM WITH FRONT PILLAR	04
STANDING SYSTEM WITH FRONT AND BACK PILLAR	08
BRACKET SYSTEM	12
HANGING SYSTEM	16
TWIN STANDING SYSTEM WITH FRONT PILLAR	20
TWIN BRACKET SYSTEM	24
TWIN HANGING SYSTEM	28

OVAL

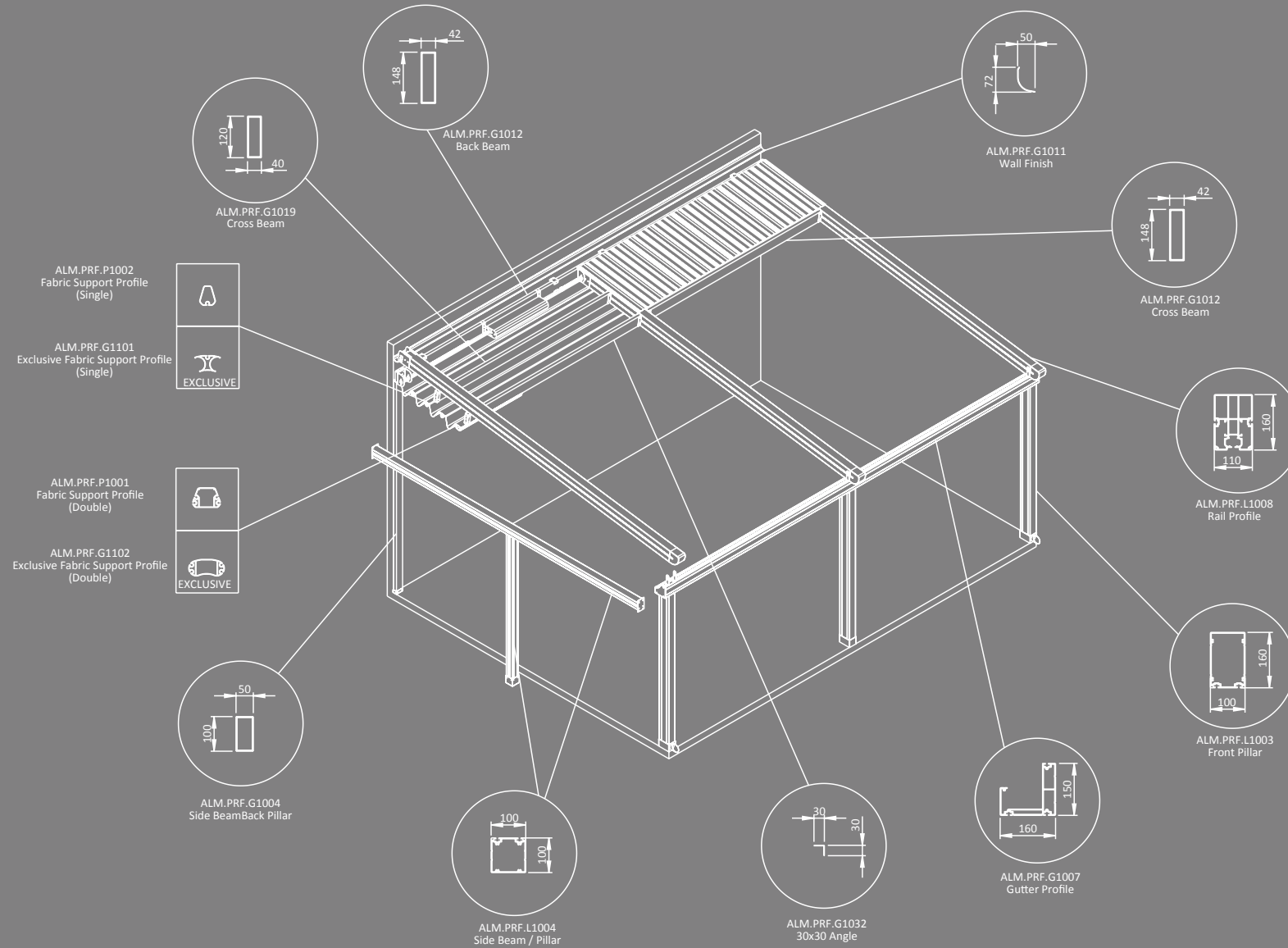
STANDING SYSTEM WITH FRONT PILLAR	32
STANDING SYSTEM WITH FRONT AND BACK PILLAR	36
BRACKET SYSTEM	40
HANGING SYSTEM	44
TWIN STANDING SYSTEM WITH FRONT PILLAR S.M.	48
TWIN STANDING SYSTEM WITH FRONT PILLAR D.M.	52
TWIN STANDING SYSTEM WITH FRONT PILLAR D.M. (WITHOUT M. PILLAR)	56
TWIN BRACKET SYSTEM	60
TWIN HANGING SYSTEM	64

FLAT

STANDING SYSTEM WITH FRONT PILLAR	68
STANDING SYSTEM WITH FRONT AND BACK PILLAR	72
BRACKET SYSTEM	76
HANGING SYSTEM	80
TWIN STANDING SYSTEM WITH FRONT PILLAR	84
TWIN BRACKET SYSTEM	88
TWIN HANGING SYSTEM	92



STANDING SYSTEM WITH FRONT PILLAR



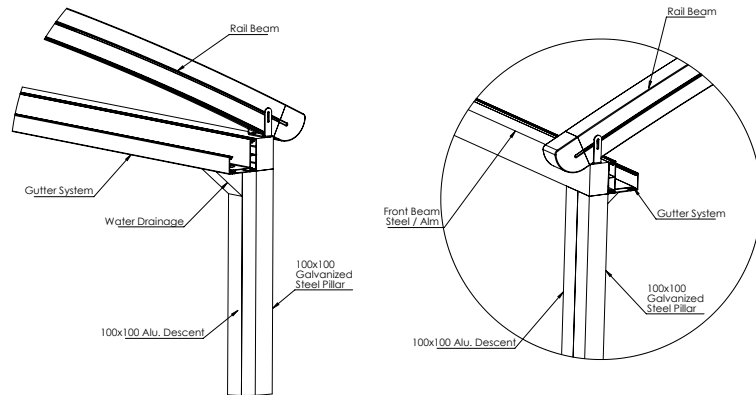
TECHNICAL DETAILS

WATER DRAIN&GUTTER CALCULATION

PRODUCT TYPE	MAX. M ²	USED PRODUCT TYPE
WATER DRAINAGE 45	34m ²	1200 Series Standard
WATER DRAINAGE 65	42m ²	Standard

*There should be at least one drainage, each 8 m length gutter.

APPLICATION FORM IN STEEL FRONT BEAM AND DEVICE



* In use of aluminum front pillar of 100*100 and front beam of 100*150 water drain, is applied from the available pillar. No external descent is applied.

MINIMUM SLOPE CHART

Slope	Rail Center										
	6,4-7,9%	7,4-8,8%	8,4-9,7%	9,4-10,8%	10,4-12%	11,2-12,7%	12-13,4%	13-14,6%	14-15,7%	15-16,8%	16-17,6%
	200	225	250	275	300	325	350	375	400	425	450
250	16	19	21	24	26	28	30	33	35	38	40
300	20	23	26	29	31	34	37	40	42	45	48
350	23	27	30	34	37	40	43	46	49	53	56
400	27	31	35	39	42	46	49	53	57	61	64
450	32	36	40	44	48	52	56	60	64	69	73
500	36	41	45	50	54	59	63	68	72	77	81
550	40	45	50	55	60	65	70	75	80	85	90
600	44	50	55	61	66	72	77	83	88	94	99
650	49	55	61	67	72	78	84	90	96	102	108
700	54	60	66	73	79	85	91	98	104	111	117
750	59	66	72	79	85	92	99	106	112	119	126
800	63	70	77	85	92	99	106	114	121	129	136
850	67	75	82	91	99	106	113	122	130	138	146
900	71	79	87	97	106	113	120	130	139	148	156
950	75	84	92	103	113	120	127	138	148	157	166
1000	79	88	97	109	120	127	134	146	157	167	176

Projection

*Note: Max. slope can be up to 25%
For back height of system 30 cm should be added to slope value.

BACK BEAM PROFILE TYPE (INCLUDED IN PERGOLA PRICE)

PROJECTION	PRODUCT WIDTH							
	FROM 200CM TO 1300CM							
	200	250	300	350	400	450	500	550
600	E	E	E	E	E	E	E	E
800	E	E	E	E	E	E	E	E
900	G	G	G	G	G	G	G	G
1000	G	G	G	G	G	G	G	G
BACK BEAM	E	42*150 ALU				G	50*150 ALU	

* Utilization table of back beam is included in the list price.

FRONT PILLAR REDUCTION CONDITIONS

PROJECTION	OUT TO OUT PILLAR SIZE							
		450	500	600	700	750	800	900
	400	A	A	B	B	C	C	C
500	A	A	B	B	C	C	C	
600	A	A	B	B	C	C	C	
700	A	A	B	B	C	C	C	
800	A	A	B	B	C	C	C	
900	A	A	B	B	C	C	C	
1000	A	A	B	B	C	C	C	
F. PILLAR F. BEAM	A	100*100 ALU 100*150 ALU	B	100*100*3 G.S 100*150*3 G.S	C	100*100*5 G.S 100*200*5 G.S		

* The front pillar reduction use table should be additionally priced.

* Ground mounting is performed with flange of 200*200*10 mm or ground anchor of standard 1600 series 110*160.

* Application is made behind the gutter system.

* Maximum height is 400 cm for aluminum front pillars.

* Maximum height is 500 cm for steel front pillars.

* If front pillar and beam is made of steel, water drain is given from empty aluminum box profile of 100*100.



STANDING SYSTEM WITH FRONT PILLAR

PROJECTION	2 RAIL					3 RAIL									4 RAIL							
	250 cm	300 cm	350 cm	400 cm	450 cm	500 cm	550 cm	600 cm	650 cm	700 cm	750 cm	800 cm	850 cm	900 cm	950 cm	1000 cm	1050 cm	1100 cm	1150 cm	1200 cm	1250 cm	1300 cm
200 cm	€ 6.145	€ 6.443	€ 6.869	€ 7.306	€ 7.619	€ 8.609	€ 8.913	€ 9.217	€ 9.754	€ 10.016	€ 10.420	€ 10.719	€ 11.021	€ 11.324	€ 12.671	€ 12.970	€ 13.270	€ 13.571	€ 13.873	€ 14.116	€ 14.504	€ 14.946
250 cm	€ 6.407	€ 6.858	€ 7.275	€ 7.598	€ 7.918	€ 9.002	€ 9.457	€ 9.767	€ 10.174	€ 10.445	€ 10.858	€ 11.310	€ 11.763	€ 11.930	€ 13.236	€ 13.543	€ 13.995	€ 14.302	€ 14.613	€ 14.863	€ 15.262	€ 15.711
300 cm	€ 6.865	€ 7.369	€ 7.834	€ 8.211	€ 8.581	€ 9.790	€ 10.292	€ 10.653	€ 11.108	€ 11.423	€ 11.886	€ 12.385	€ 12.888	€ 13.107	€ 14.545	€ 14.903	€ 15.405	€ 15.761	€ 16.122	€ 16.412	€ 16.859	€ 17.357
350 cm	€ 7.280	€ 7.649	€ 8.124	€ 8.654	€ 9.035	€ 10.334	€ 10.707	€ 11.218	€ 11.685	€ 12.003	€ 12.477	€ 12.987	€ 13.505	€ 13.725	€ 15.405	€ 15.773	€ 16.143	€ 16.508	€ 17.017	€ 17.315	€ 17.772	€ 18.139
400 cm	€ 7.553	€ 7.930	€ 8.416	€ 8.956	€ 9.347	€ 10.740	€ 11.124	€ 11.643	€ 12.117	€ 12.447	€ 12.930	€ 13.448	€ 13.970	€ 14.208	€ 15.988	€ 16.365	€ 16.744	€ 17.119	€ 17.638	€ 17.944	€ 18.409	€ 18.785
450 cm	€ 7.833	€ 8.220	€ 8.717	€ 9.266	€ 9.667	€ 11.157	€ 11.549	€ 12.079	€ 12.562	€ 12.901	€ 13.392	€ 13.920	€ 14.451	€ 14.696	€ 16.582	€ 16.970	€ 17.355	€ 17.743	€ 18.270	€ 18.581	€ 19.056	€ 19.441
500 cm	€ 8.107	€ 8.505	€ 9.010	€ 9.569	€ 9.981	€ 11.568	€ 11.968	€ 12.508	€ 13.003	€ 13.345	€ 13.849	€ 14.385	€ 14.929	€ 15.181	€ 17.169	€ 17.565	€ 17.961	€ 18.356	€ 18.894	€ 19.214	€ 19.698	€ 20.092
550 cm	€ 8.576	€ 9.170	€ 9.726	€ 10.337	€ 10.797	€ 12.510	€ 13.098	€ 13.547	€ 14.233	€ 14.620	€ 15.170	€ 15.759	€ 16.350	€ 16.794	€ 18.757	€ 19.222	€ 19.809	€ 20.254	€ 20.839	€ 21.197	€ 21.730	€ 22.315
600 cm	€ 8.861	€ 9.463	€ 10.031	€ 10.650	€ 11.120	€ 12.930	€ 13.533	€ 13.989	€ 14.682	€ 15.078	€ 15.638	€ 16.235	€ 16.836	€ 17.289	€ 19.377	€ 19.830	€ 20.428	€ 20.881	€ 21.475	€ 21.841	€ 22.383	€ 22.977
650 cm	€ 9.137	€ 9.754	€ 10.328	€ 10.957	€ 11.440	€ 13.343	€ 13.955	€ 14.422	€ 15.125	€ 15.467	€ 16.032	€ 16.636	€ 17.241	€ 17.706	€ 19.969	€ 20.434	€ 20.966	€ 21.501	€ 22.105	€ 22.477	€ 23.029	€ 23.634
700 cm	€ 9.415	€ 10.038	€ 10.624	€ 11.264	€ 11.756	€ 13.760	€ 14.378	€ 14.858	€ 15.570	€ 15.915	€ 16.492	€ 17.105	€ 17.723	€ 18.192	€ 20.563	€ 21.035	€ 21.648	€ 22.121	€ 22.737	€ 23.114	€ 23.679	€ 24.288
750 cm	€ 9.694	€ 10.328	€ 10.922	€ 11.572	€ 12.072	€ 14.175	€ 14.804	€ 15.290	€ 16.014	€ 16.365	€ 16.951	€ 17.574	€ 18.199	€ 18.679	€ 21.157	€ 21.638	€ 22.262	€ 22.744	€ 23.368	€ 23.753	€ 24.325	
800 cm	€ 10.163	€ 10.849	€ 11.494	€ 12.195	€ 12.748	€ 14.976	€ 15.655	€ 16.190	€ 16.963	€ 17.357	€ 17.991	€ 18.661	€ 19.335	€ 19.867	€ 22.487	€ 23.017	€ 23.691	€ 24.221	€ 24.894	€ 25.322		
850 cm	€ 10.712	€ 11.466	€ 12.175	€ 12.942	€ 13.562	€ 15.933	€ 16.678	€ 17.277	€ 18.112	€ 18.564	€ 19.264	€ 19.999	€ 20.735	€ 21.336	€ 24.115	€ 24.709						
900 cm	€ 11.181	€ 11.987	€ 12.746	€ 13.567	€ 14.238	€ 16.733	€ 17.531	€ 18.177	€ 19.061	€ 19.554	€ 20.304	€ 21.086	€ 21.871	€ 22.524	€ 25.447	€ 26.088						
950 cm	€ 11.652	€ 12.510	€ 13.317	€ 14.191	€ 14.915	€ 17.536	€ 18.382	€ 19.076	€ 20.009	€ 20.544	€ 21.345	€ 22.175	€ 23.007	€ 23.712	€ 26.779	€ 27.467						
1000 cm	€ 12.121	€ 13.031	€ 13.889	€ 14.814	€ 15.591	€ 18.336	€ 19.233	€ 19.976	€ 20.957	€ 21.536	€ 22.385	€ 23.262	€ 24.142	€ 24.900	€ 28.109	€ 28.846						

FS4-L1600 (R97)	FS9-L1600 (Y64)	FS9
€ 1.168	€ 240	€ 236
€ 1.289	€ 287	€ 284
€ 1.411	€ 337	€ 333
€ 1.530	€ 386	€ 381
€ 1.652	€ 435	€ 430
€ 1.773	€ 486	€ 479
€ 1.895	€ 535	€ 527
€ 2.017	€ 583	€ 576
€ 2.138	€ 632	€ 625
€ 2.260	€ 683	€ 673
€ 2.381	€ 732	€ 722
€ 2.503		€ 1.043
€ 2.624		€ 1.091
€ 2.746		€ 1.140
€ 2.865		€ 1.188
€ 2.987		€ 1.237
€ 3.108		€ 1.286

included side beam pillar

FS5-A	€ 43	€ 54	€ 64	€ 73	€ 84	€ 93	€ 105	€ 114	€ 125	€ 135	€ 146	€ 155	€ 166	€ 176	€ 187	€ 196	€ 208	€ 217	€ 228	€ 237	€ 249	€ 258
FS5-E	€ 59	€ 75	€ 88	€ 100	€ 116	€ 129	€ 144	€ 157	€ 173	€ 185	€ 201	€ 214	€ 229	€ 242	€ 257	€ 270	€ 286	€ 299	€ 314	€ 327	€ 342	€ 355

FS5-A	Additional Fabric Support Profile (Standard)
FS4-L1600 (R97)	Additional Rail - Al. 110x160mm
FS9-L1600 (Y64)	Side Beam - Al. 100x100mm
FS9	Side Beam - Al. 50x150mm
FS8	Lighting System

FS8	
FS8-S	SPOT
FS8-L	LINEAR
FS8-LR	LINEAR (RGB)

LED TYPE & MODULE		
2 LED	3 LED	4 LED
€ 132	€ 160	€ 189
€ 189	€ 245	
€ 240	€ 311	

Notes:

- Any Side Beam is not included in the price.
- If side beam used and projection is bigger than 700 cm, a side beam pillar also needs to be added up to the rail. Price is included in FS9 side beam option price.
- FS Flexy Plain/3D or Stam 6002 is included in the price.
- Motor and Remote control is included in the price.
- Palmye Aluminium Coating Catalogue includes the standard colours with no extra cost. For any other type/brand/ color of paint, price difference and additional delivery duration shall be checked from your customer representative.
- Standard "Fabric support profile plastic colors" are specified in our Aluminium coating catalogue.

DEDUCTIONS

Price deduction is applicable only for pillars and beam. Deduction amount shall be consider as 70% of related option price.

OPTIONS			
FS10-L1600 (ALM-16)	Extra pillar (100x160mm Al.) for L1600 series	€ 352	pcs
FS10	Extra pillar (100x100mm Al.)	€ 525	pcs
FS10-ST3	Extra pillar (100x100x3mm St.)	€ 653	pcs
FS10-ST5	Extra pillar (100x100x5mm St.)	€ 951	pcs
FS11	Deco ceiling cover	€ 73	m ²
FS13-A	Wavy ceiling cover (for flexy fabric) (up to 350 cm width)	€ 37	m ²
FS15	Side beam pillar (50x100mm- Al)	€ 272	pcs
FS15-L1600 (ALM-11)	Side beam pillar (100x100mm- Al) for L1600 series	€ 345	pcs
FS19	Fix louver	€ 72	lm
FS23	External Square Downpipe	€ 321	pcs
FS24	W96 Ceiling Cover	€ 84	m ²
FS26	Exclusive fabric difference (up to 800cm width)	€ 49	m ²
FS29-1	Sun Sensor (SUNIS) (for single motor)	€ 607	pcs
FS29-1S	Sun Sensor (SUNIS) (for synchronized motor)	€ 962	pcs
FS29-2	Wind Sensor (EOLIS RTS) (for single motor)	€ 284	pcs
FS29-2S	Wind Sensor (EOLIS RTS) (for synchronized motor)	€ 639	pcs
FS29-3	Sun and Wind Sensor (SOLIRIS RTS) (for single motor)	€ 322	pcs
FS29-3S	Sun and Wind Sensor (SOLIRIS RTS) (for synchronized motor)	€ 676	pcs
FS29-4 ^{2/3}	Rain Sensor (ONDEIS) (for single motor)	€ 558	pcs
FS29-4S ^{2/3}	Rain Sensor (ONDEIS) (for synchronized motor)	€ 912	pcs
FS30	CONNEXOON	€ 510	pcs

EXTENSIONS		
L1600 Rail - 110x160mm	€ 262	lm
Beam Profile (Al. 42x150mm)	€ 102	lm
Beam Profile (Al. 50x150mm)	€ 180	lm
Beam Profile (Al. 100x150mm)	€ 150	lm
Beam Profile (St. 100x150x3mm)	€ 311	lm
Beam Profile (St. 100x150x5mm)	€ 377	lm
Beam Profile (St. 100x200x3mm)	€ 315	lm
Beam Profile (St. 100x200x5mm)	€ 448	lm
Fabric protection cover (Al. - 63x...cm)	€ 59	m ²
L1600 Gutter	€ 102	lm

*Max. Al. Front pillar (Al. 100x160mm) height is 280cm.
 *Max. St 3mm. Front pillar (St. 100x100x3mm) height is 380cm.
 *Max. St. 5mm Front pillar (St. 100x100x5mm) height is 480cm.

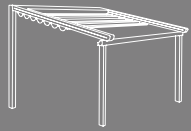
PRICE DIFFERENCE			
BEAM GROUP			
Back Beam	Standard	Al. 42x150mm	
		Al. 50x150mm	€ 78 lm
	to	St. 50x150x3mm	€ 101 lm
		St. 50x150x5mm	€ 187 lm
		Al. 100x150mm	€ 47 lm
		St. 100x150x3mm	€ 204 lm
		St. 100x150x5mm	€ 277 lm
		St. 100x200x3mm	€ 209 lm
		St. 100x200x5mm	€ 349 lm
		PILLAR GROUP	
Standard	Al. 100x160mm		
	Al. 100x100mm	€ 173	pcs
to	St. 100x100x3mm	€ 191	pcs
	St. 100x100x5mm	€ 497	pcs
	St. 150x150x3mm	€ 765	pcs
	St. 150x150x5mm	€ 1.252	pcs

Notes:

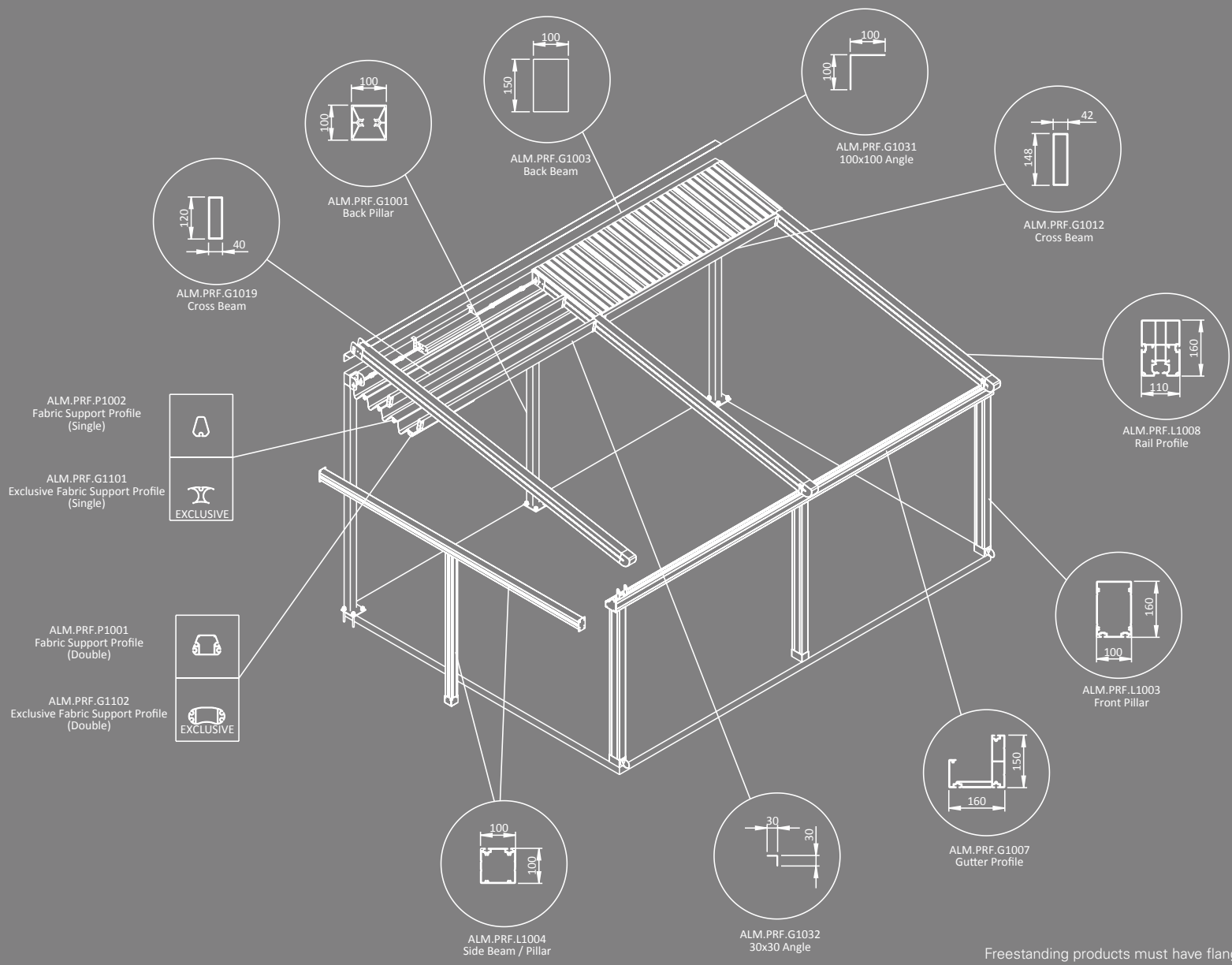
1. Fabric support profiles can be painted in the same color as the general construction. No fee is paid for this process. However, the plastic color should be specified from our standard plastic colours in Palmiye Colour Chart.

2. For one product, a dry contact transmitter costing 370€, must be added.

3. Up to 5 products, a RS485 Automation interface dry contact transmitter costing 1126€, must be added.



STANDING SYSTEM WITH FRONT AND BACK PILLAR



Freestanding products must have flanges on the pillars.

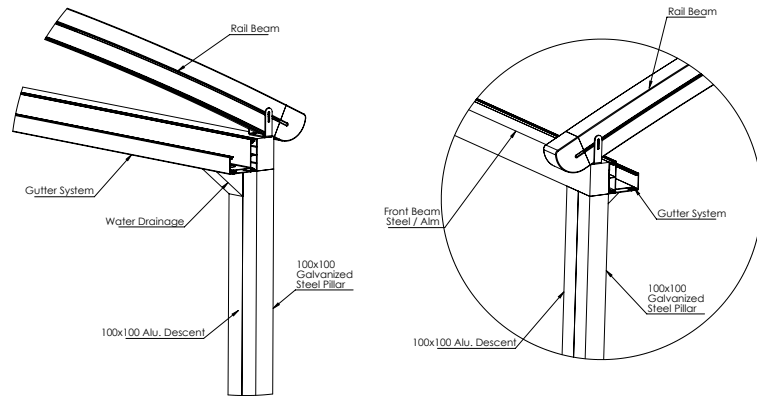
TECHNICAL DETAILS

WATER DRAIN&GUTTER CALCULATION

PRODUCT TYPE	MAX. M ²	USED PRODUCT TYPE
WATER DRAINAGE 45	34m ²	1200 Series Standard
WATER DRAINAGE 65	42m ²	Standard

*There should be at least one drainage, each 8 m length gutter.

APPLICATION FORM IN STEEL FRONT BEAM AND DEVICE



* In use of aluminum front pillar of 100*100 and front beam of 100*150 water drain, is applied from the available pillar. No external descent is applied.

MINIMUM SLOPE CHART

Slope	Rail Center										
	200	225	250	275	300	325	350	375	400	425	450
6,4-7,9%	16	19	21	24	26	28	30	33	35	38	40
7,4-8,8%	20	23	26	29	31	34	37	40	42	45	48
8,4-9,7%	23	27	30	34	37	40	43	46	49	53	56
9,4-10,8%	27	31	35	39	42	46	49	53	57	61	64
10,4-12%	32	36	40	44	48	52	56	60	64	69	73
11,2-12,7%	36	41	45	50	54	59	63	68	72	77	81
12-13,4%	40	45	50	55	60	65	70	75	80	85	90
13-14,5%	44	50	55	61	66	72	77	83	88	94	99
14-15,7%	49	55	61	67	72	78	84	90	96	102	108
15-16,6%	54	60	66	73	79	85	91	98	104	111	117
16-17,6%	59	66	72	79	85	92	99	106	112	119	126
	63	70	77	85	92	99	106	114	121	129	136
	67	75	82	91	99	106	113	122	130	138	146
	71	79	87	97	106	113	120	130	139	148	156
	75	84	92	103	113	120	127	138	148	157	166
	79	88	97	109	120	127	134	146	157	167	176

Projection

*Note: Max. slope can be up to 25%
For back height of system 30 cm should be added to slope value.

USE OF BACK PILLAR AND BACK BEAM (STANDARD)

PROJECTION	PRODUCT WIDTH																		
	450	500	550	600	650	700	750	800	850	900	950	1000	1050	1100	1150	1200	1250	1300	
400	A	A	A	A	A	A	A	A	A	A	A	A	A	A	A	A	A	A	A
450	A	A	A	A	A	A	A	A	A	A	A	A	A	A	A	A	A	A	A
500	A	A	A	A	A	A	A	A	A	A	A	A	A	A	A	A	A	A	A
550	A	A	A	A	A	A	A	A	A	A	A	A	A	A	A	A	A	A	A
600	A	A	A	A	A	A	A	A	A	A	A	A	A	A	A	A	A	A	A
650	A	A	A	A	A	A	A	A	A	A	A	A	A	A	A	A	A	A	A
700	A	A	A	A	A	A	A	A	A	A	A	A	A	A	A	A	A	A	A
750	A	A	A	A	A	A	A	A	A	A	A	A	A	A	A	A	A	A	A
800	A	A	A	A	A	A	A	A	A	A	A	A	A	A	A	A	A	A	A
850	A	A	A	A	A	A	A	A	A	A	A	A	A	A	A	A	A	A	A
900	A	A	A	A	A	A	B	B	B	B	B	B							
950	A	A	A	A	A	A	B	B	B	B	B	B							
1000	A	A	A	A	A	A	B	B	B	B	B	B							
GROUND FLANGE BACK PILLAR BACK BEAM	A				200*200*10 FLANGE ALU 100*100 ALU 100*150 ALU				B				200*200*10 FLANGE G.S 100*100*3MM G.S 100*150*3MM G.S						

* Utilization table of back beam and back pillar is included in the list price.

TERMS OF USE OF FRONT PILLAR AND BEAM

PROJECTION	OUT TO OUT PILLAR SIZE					
	450	550	600	650	700	
400	A	A	B	B	C	
500	A	A	B	B	C	
600	A	A	B	C	C	
700	A	B	B	C	C	
800	A	B	C	C	C	
900	A	B	C	C	C	
1000	A	B	C	C	C	
F. PILLAR F. BEAM	A	100*100 ALU 100*150 ALU	100*100*3 G.S 100*150*3 G.S	C	100*100*5 G.S 100*200*5 G.S	

* Use of front pillar and beam should be additionally priced.
* Ground mounting of the pillar is performed with flange of 200*200*10 mm or ground anchor.
* Application is made behind the gutter system.
* Maximum height is 4m for aluminum front pillars and 5m for steel front pillars.
* If front pillar and beam is made of steel, water drain is given from empty aluminum box profile of 100*100

TERMS OF USE OF BACK PILLAR AND BACK BEAM

PROJECTION	OUT TO OUT PILLAR SIZE							
	450	500	550	600	700	800	900	
400	A	A	A	B	B	C	C	
500	A	A	B	B	B	C	C	
600	A	B	B	B	B	C	C	
700	A	B	B	B	B	C	C	
800	A	B	B	B	B	C	C	
900	B	B	B	C	C	C	C	
1000	B	B	C	C	C	C	C	
BACK PILLAR BACK BEAM	A	100*100 ALU 100*150 ALU	B	100*100*3 G.S 100*150*3 G.S	C	100*100*5 G.S 100*200*5 G.S		

* Use of back pillar and beam should be additionally priced.
* Floor mounting of the pillar is performed with flange of 200*200*10 mm or ground anchor.
* Maximum height is 4m for aluminum back pillars and 5m for steel back pillars.



STANDING SYSTEM WITH FRONT AND BACK PILLAR

PROJECTION		WIDTH																				FS4-L1600 (R97)	FS9	
		2 RAIL					3 RAIL								4 RAIL									
		250 cm	300 cm	350 cm	400 cm	450 cm	500 cm	550 cm	600 cm	650 cm	700 cm	750 cm	800 cm	850 cm	900 cm	950 cm	1000 cm	1050 cm	1100 cm	1150 cm	1200 cm			1250 cm
200 cm	€ 7.309	€ 7.621	€ 8.061	€ 8.512	€ 8.839	€ 10.159	€ 10.475	€ 10.792	€ 11.343	€ 11.619	€ 12.036	€ 12.350	€ 12.666	€ 12.982	€ 14.658	€ 14.971	€ 15.285	€ 15.600	€ 15.914	€ 16.171	€ 16.572	€ 17.029	€ 1.168	€ 236
250 cm	€ 7.663	€ 8.128	€ 8.559	€ 8.896	€ 9.229	€ 10.641	€ 11.110	€ 11.435	€ 11.855	€ 12.140	€ 12.567	€ 13.031	€ 13.498	€ 13.681	€ 15.313	€ 15.636	€ 16.100	€ 16.423	€ 16.746	€ 17.010	€ 17.423	€ 17.887	€ 1.289	€ 284
300 cm	€ 8.219	€ 8.737	€ 9.216	€ 9.607	€ 9.991	€ 11.528	€ 12.044	€ 12.419	€ 12.888	€ 13.216	€ 13.694	€ 14.206	€ 14.724	€ 14.956	€ 16.723	€ 17.094	€ 17.610	€ 17.980	€ 18.353	€ 18.659	€ 19.119	€ 19.630	€ 1.411	€ 333
350 cm	€ 8.730	€ 9.112	€ 9.601	€ 10.145	€ 10.539	€ 12.167	€ 12.554	€ 13.078	€ 13.558	€ 13.891	€ 14.379	€ 14.904	€ 15.435	€ 15.670	€ 17.677	€ 18.059	€ 18.443	€ 18.822	€ 19.345	€ 19.657	€ 20.128	€ 20.506	€ 1.530	€ 381
400 cm	€ 9.097	€ 9.488	€ 9.988	€ 10.542	€ 10.947	€ 12.668	€ 13.066	€ 13.599	€ 14.087	€ 14.431	€ 14.928	€ 15.459	€ 15.996	€ 16.246	€ 18.354	€ 18.745	€ 19.139	€ 19.528	€ 20.060	€ 20.379	€ 20.859	€ 21.249	€ 1.652	€ 430
450 cm	€ 9.475	€ 9.876	€ 10.387	€ 10.950	€ 11.363	€ 13.183	€ 13.590	€ 14.133	€ 14.630	€ 14.981	€ 15.488	€ 16.030	€ 16.575	€ 16.834	€ 19.048	€ 19.448	€ 19.849	€ 20.250	€ 20.790	€ 21.115	€ 21.605	€ 22.004	€ 1.773	€ 479
500 cm	€ 9.845	€ 10.256	€ 10.776	€ 11.349	€ 11.772	€ 13.690	€ 14.103	€ 14.657	€ 15.166	€ 15.522	€ 16.038	€ 16.590	€ 17.148	€ 17.413	€ 19.730	€ 20.140	€ 20.550	€ 20.958	€ 21.509	€ 21.842	€ 22.340	€ 22.750	€ 1.895	€ 527
550 cm	€ 10.409	€ 11.016	€ 11.586	€ 12.211	€ 12.685	€ 14.726	€ 15.329	€ 15.791	€ 16.491	€ 16.892	€ 17.456	€ 18.057	€ 18.663	€ 19.120	€ 21.413	€ 21.892	€ 22.493	€ 22.950	€ 23.549	€ 23.922	€ 24.468	€ 25.067	€ 2.017	€ 576
600 cm	€ 10.788	€ 11.405	€ 11.987	€ 12.619	€ 13.104	€ 15.241	€ 15.858	€ 16.329	€ 17.036	€ 17.445	€ 18.019	€ 18.630	€ 19.245	€ 19.712	€ 22.128	€ 22.595	€ 23.206	€ 23.673	€ 24.281	€ 24.660	€ 25.216	€ 25.825	€ 2.138	€ 625
650 cm	€ 11.163	€ 11.793	€ 12.382	€ 13.025	€ 13.521	€ 15.753	€ 16.378	€ 16.859	€ 17.577	€ 17.931	€ 18.511	€ 19.129	€ 19.746	€ 20.225	€ 22.816	€ 23.296	€ 23.843	€ 24.392	€ 25.010	€ 25.395	€ 25.962	€ 26.578	€ 2.260	€ 673
700 cm	€ 11.536	€ 12.175	€ 12.772	€ 13.427	€ 13.933	€ 16.265	€ 16.897	€ 17.390	€ 18.116	€ 18.476	€ 19.066	€ 19.693	€ 20.325	€ 20.808	€ 23.505	€ 23.992	€ 24.620	€ 25.107	€ 25.737	€ 26.128	€ 26.704	€ 27.330	€ 2.381	€ 722
750 cm	€ 12.563	€ 13.068	€ 13.676	€ 14.339	€ 14.853	€ 17.285	€ 17.927	€ 18.427	€ 19.165	€ 19.530	€ 20.128	€ 20.765	€ 21.404	€ 21.899	€ 25.233	€ 25.201	€ 25.838	€ 26.333	€ 26.970	€ 27.370	€ 27.955		€ 2.503	€ 1.043
800 cm	€ 13.128	€ 13.683	€ 14.342	€ 15.057	€ 15.623	€ 18.180	€ 18.873	€ 19.421	€ 20.208	€ 20.615	€ 21.264	€ 21.948	€ 22.634	€ 23.182	€ 26.660	€ 26.674	€ 27.362	€ 27.905	€ 28.593	€ 29.034			€ 2.624	€ 1.091
850 cm	€ 13.769	€ 14.394	€ 15.117	€ 15.898	€ 16.847	€ 19.231	€ 19.990	€ 20.602	€ 21.452	€ 21.918	€ 22.632	€ 23.380	€ 24.445	€ 25.060	€ 28.382	€ 28.459							€ 2.746	€ 1.140
900 cm	€ 14.333	€ 15.010	€ 15.783	€ 16.618	€ 17.619	€ 20.126	€ 20.937	€ 21.597	€ 22.495	€ 23.002	€ 23.767	€ 24.562	€ 25.675	€ 26.342	€ 29.808	€ 29.934							€ 2.865	€ 1.188
950 cm	€ 14.898	€ 15.627	€ 16.449	€ 17.336	€ 18.389	€ 21.023	€ 21.883	€ 22.592	€ 23.538	€ 24.087	€ 24.901	€ 25.745	€ 26.906	€ 27.625	€ 31.233	€ 31.407							€ 2.987	€ 1.237
1000 cm	€ 15.461	€ 16.243	€ 17.115	€ 18.054	€ 19.159	€ 21.918	€ 22.829	€ 23.586	€ 24.581	€ 25.171	€ 26.036	€ 26.927	€ 28.136	€ 28.907	€ 32.660	€ 32.881							€ 3.108	€ 1.286

FS5-A	€ 43	€ 54	€ 64	€ 73	€ 84	€ 93	€ 105	€ 114	€ 125	€ 135	€ 146	€ 155	€ 166	€ 176	€ 187	€ 196	€ 208	€ 217	€ 228	€ 237	€ 249	€ 258
FS5-E	€ 59	€ 75	€ 88	€ 100	€ 116	€ 129	€ 144	€ 157	€ 173	€ 185	€ 201	€ 214	€ 229	€ 242	€ 257	€ 270	€ 286	€ 299	€ 314	€ 327	€ 342	€ 355

FS5-A	Additional Fabric Support Profile (Standard)
FS4-L1600 (R97)	Additional Rail - Al. 110x160mm
FS9	Side Beam - Al. 50x150mm
FS8	Lighting System

FS8		LED TYPE & MODULE		
FS8-S	SPOT	2 LED	3 LED	4 LED
FS8-L	LINEAR	€ 132	€ 160	€ 189
FS8-L (RGB)	LINEAR (RGB)	€ 240	€ 311	

Notes:

- FS9-L1600 (Y64) Side Beam is included in the price for right and left side as a standard. For other option which is FS9 (Al. 50x150mm) doesn't apply any charge. But, please define on your technical drawing.
- If the projection is bigger than 700cm, a side beam pillar needs to be added up to rail, FS15-L1600-side beam pillar (100x100mm -Al) for 1600 series, included in the product price.
- FS Flexy Plain/3D or Stam 6002 is included in the price.
- Motor and Remote control is included in the price.
- Palmiye Aluminium Coating Catalogue includes the standard colours with no extra cost. For any other type/brand/color of paint, price difference and additional delivery duration shall be checked from your customer representative.
- Standard "Fabric support profile plastic colors" are specified in our Aluminium coating catalogue.

DEDUCTIONS

Price deduction is applicable only for pillars and beam. Deduction amount shall be consider as 70% of related option price.

included side beam pillar

OPTIONS			
FS10-L1600 (ALM-16)	Extra pillar (100x160mm Al.) for L1600 series	€ 352	pcs
FS10	Extra pillar (100x100mm Al.)	€ 525	pcs
FS10-ST3	Extra pillar (100x100x3mm St.)	€ 653	pcs
FS10-ST5	Extra pillar (100x100x5mm St.)	€ 951	pcs
FS11	Deco ceiling cover	€ 73	m ²
FS13-A	Wavy ceiling cover (for flexy fabric) (up to 350 cm width)	€ 37	m ²
FS15	Side beam pillar (50x100mm- Al)	€ 272	pcs
FS15-L1600 (ALM-11)	Side beam pillar (100x100mm- Al) for L1600 series	€ 345	pcs
FS19	Fix louver	€ 72	lm
FS23	External Square Downpipe	€ 321	pcs
FS24	W96 Ceiling Cover	€ 84	m ²
FS26	Exclusive fabric difference (up to 800cm width)	€ 49	m ²
FS29-1	Sun Sensor (SUNIS) (for single motor)	€ 607	pcs
FS29-1S	Sun Sensor (SUNIS) (for synchronized motor)	€ 962	pcs
FS29-2	Wind Sensor (EOLIS RTS) (for single motor)	€ 284	pcs
FS29-2S	Wind Sensor (EOLIS RTS) (for synchronized motor)	€ 639	pcs
FS29-3	Sun and Wind Sensor (SOLIRIS RTS) (for single motor)	€ 322	pcs
FS29-3S	Sun and Wind Sensor (SOLIRIS RTS) (for synchronized motor)	€ 676	pcs
FS29-4 ^{2/3}	Rain Sensor (ONDEIS) (for single motor)	€ 558	pcs
FS29-4S ^{2/3}	Rain Sensor (ONDEIS) (for synchronized motor)	€ 912	pcs
FS30	CONNEXOON	€ 510	pcs

Notes:

1. Fabric support profiles can be painted in the same color as the general construction. No fee is paid for this process. However, the plastic color should be specified from our standard plastic colours in Palmiye Colour Chart.
2. For one product, a dry contact transmitter costing 370€, must be added.
3. Up to 5 products, a RS485 Automation interface dry contact transmitter costing 1126€, must be added.

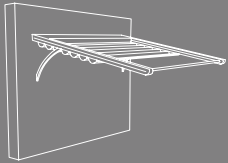
EXTENSIONS		
L1600 Rail - 110x160mm	€ 262	lm
Beam Profile (Al. 100x150mm)	€ 150	lm
Beam Profile (St. 100x150x3mm)	€ 311	lm
Beam Profile (St. 100x150x5mm)	€ 377	lm
Beam Profile (St. 100x200x3mm)	€ 315	lm
Beam Profile (St. 100x200x5mm)	€ 448	lm
Fabric protection cover (Al. - 63x___cm)	€ 59	m ²
L1600 Gutter	€ 102	lm

*Max. Al. Front pillar (Al. 100x160mm) height is 280cm.

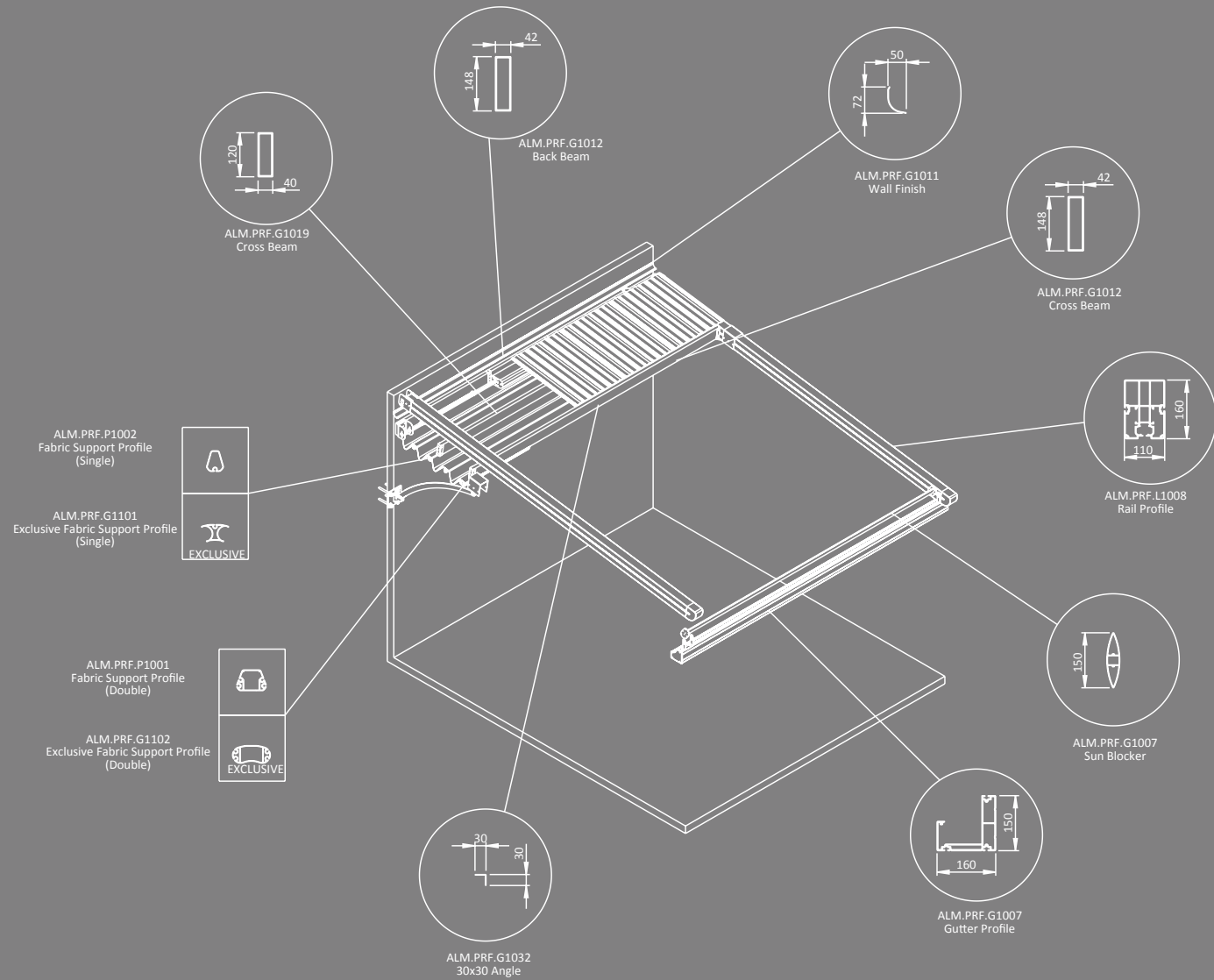
*Max. St 3mm. Front pillar (St. 100x100x3mm) height is 380cm.

*Max. St. 5mm Front pillar (St. 100x100x5mm) height is 480cm.

PRICE DIFFERENCE			
BEAM GROUP			
Back Beam	Standard	Al. 100x150mm	
	to	St. 100x150x3mm	€ 155 lm
		St. 100x150x5mm	€ 231 lm
		St. 100x200x3mm	€ 160 lm
		St. 100x200x5mm	€ 302 lm
PILLAR GROUP			
Front Pillar	Standard	Al. 100x160mm	
	to	Al. 100x100mm	€ 173 pcs
		St. 100x100x3mm	€ 191 pcs
		St. 100x100x5mm	€ 497 pcs
		St. 150x150x3mm	€ 765 pcs
St. 150x150x5mm	€ 1.252 pcs		
Back Pillar	Standard	Al. 100x100mm	
	to	St. 100x100x3mm	€ 108 pcs
		St. 100x100x5mm	€ 443 pcs
		St. 150x150x3mm	€ 677 pcs
		St. 150x150x5mm	€ 1.197 pcs



BRACKET SYSTEM TECHNICAL DETAILS



TECHNICAL DETAILS

WATER DRAIN&GUTTER CALCULATION

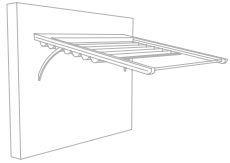
PRODUCT TYPE	MAX. M ²	USED PRODUCT TYPE
WATER DRAINAGE 45	34m ²	1200 Series Standard
WATER DRAINAGE 65	42m ²	Standard

*There should be at least one drainage, each 8 m length gutter.

MINIMUM SLOPE CHART

Slope	Rail Center											
	200	225	250	275	300	325	350	375	400	425	450	
6,4-7,9%	16	19	21	24	26	28	30	33	35	38	40	
7,4-8,8%	20	23	26	29	31	34	37	40	42	45	48	
8,4-9,7%	23	27	30	34	37	40	43	46	49	53	56	
9,4-10,8%	27	31	35	39	42	46	49	53	57	61	64	
10,4-12%												
11,2-12,7%												
12-13,4%												
13-14,5%												
14-15,7%												
15-16,6%												
16-17,6%												

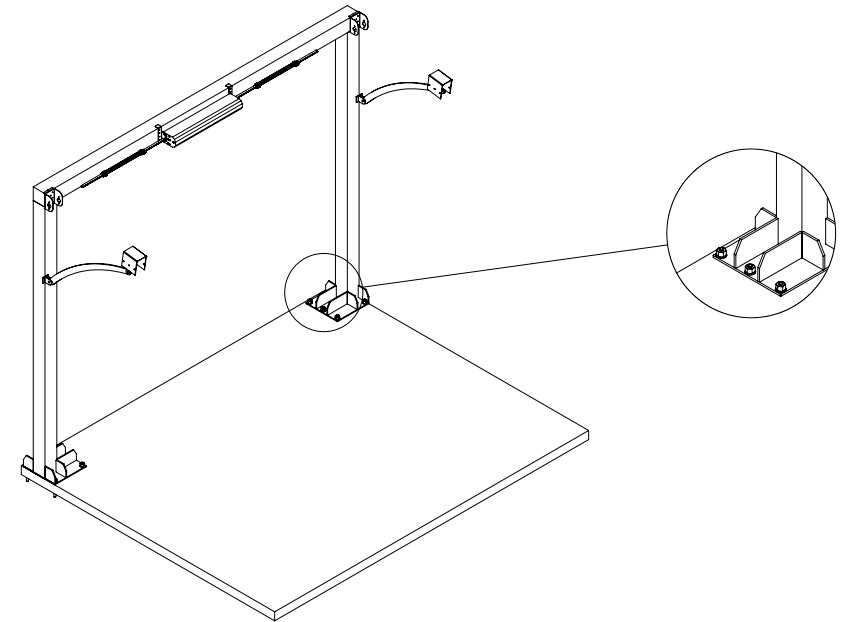
*Note: Max. slope can be up to 25%
For back height of system 30 cm should be added to slope value.



BRACKET SYSTEM

		WIDTH				
		2 RAIL				
		250 cm	300 cm	350 cm	400 cm	450 cm
PROJECTION	200 cm	€ 6.270	€ 6.577	€ 7.015	€ 7.463	€ 7.782
	250 cm	€ 6.530	€ 6.996	€ 7.423	€ 7.755	€ 8.081
	300 cm	€ 6.990	€ 7.510	€ 7.987	€ 8.373	€ 8.753
	350 cm	€ 7.409	€ 7.788	€ 8.276	€ 8.817	€ 9.208
	400 cm	€ 7.678	€ 8.067	€ 8.566	€ 9.118	€ 9.519
G22		€ 244	€ 252	€ 274	€ 303	€ 331
FS5-A		€ 43	€ 54	€ 64	€ 73	€ 84
FS5-E		€ 59	€ 75	€ 88	€ 100	€ 116
FS5-A		Additional Fabric Support Profile (Standard)				
FS8		Lighting System				

		LED TYPE & MODULE		
FS8		2 LED	3 LED	4 LED
FS8-S	SPOT	€ 132	€ 160	€ 189
FS8-L	LINEAR	€ 189	€ 245	
FS8-L (RGB)	LINEAR (RGB)	€ 240	€ 311	



Notes:

1. Modules can not be combined.
2. Side beam is not applicable.
3. FS Flexy Plain/3D or Stam 6002 is included in the price.
4. Motor and Remote control is included in the price.
5. Palmiye Aluminium Coating Catalogue includes the standard colours with no extra cost. For any other type/brand/color of paint, price difference and additional delivery duration shall be checked from your customer representative.
6. Standard "Fabric support profile plastic colors" are specified in our Aluminium coating catalogue.

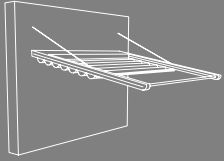
OPTIONS			
FS10-L1600 (ALM-16)	Extra pillar (100x160mm Al.) for L1600 series	€ 352	pcs
FS10	Extra pillar (100x100mm Al.)	€ 525	pcs
FS10-ST3	Extra pillar (100x100x3mm St.)	€ 653	pcs
FS10-ST5	Extra pillar (100x100x5mm St.)	€ 951	pcs
FS11	Deco ceiling cover	€ 73	m ²
FS13-A	Wavy ceiling cover (for flexy fabric) (up to 350 cm width)	€ 37	m ²
FS15	Side beam pillar (50x100mm - Al)	€ 272	pcs
FS15-L1600 (ALM-11)	Side beam pillar (100x100mm - Al) for L1600 series	€ 345	pcs
FS19	Fix louver	€ 72	lm
FS23	External Square Downpipe	€ 321	pcs
FS24	W96 Ceiling Cover	€ 84	m ²
FS26	Exclusive fabric difference (up to 800cm width)	€ 49	m ²
FS28-1	Stainless steel chain - 100 cm	€ 76	pcs
FS28-2	Stainless steel chain - 200 cm	€ 149	pcs
FS28-3	Stainless steel chain - 300 cm	€ 223	pcs
FS28-4	Stainless steel chain - 400 cm	€ 297	pcs
FS29-1	Sun Sensor (SUNIS) (for single motor)	€ 607	pcs
FS29-2	Wind Sensor (EOLIS RTS) (for single motor)	€ 284	pcs
FS29-3	Sun and Wind Sensor (SOLIRIS RTS) (for single motor)	€ 322	pcs
FS29-4 ^{2/3}	Rain Sensor (ONDEIS) (for single motor)	€ 558	pcs
FS30	CONNEXOON	€ 510	pcs
FS10-150ST3	Extra pillar (150x150x3mm St.)	€ 1.217	pcs
FS10-150ST5	Extra pillar (150x150x5mm St.)	€ 1.702	pcs

EXTENSIONS		
L1600 Rail - 110x160mm	€ 262	lm
Beam Profile (Al. 42x150mm)	€ 102	lm
Beam Profile (Al. 50x150mm)	€ 180	lm
Beam Profile (Al. 100x150mm)	€ 150	lm
Beam Profile (St. 100x150x3mm)	€ 311	lm
Beam Profile (St. 100x150x5mm)	€ 377	lm
Beam Profile (St. 100x200x3mm)	€ 315	lm
Beam Profile (St. 100x200x5mm)	€ 448	lm
Beam Profile (St. 150x150x3mm)	€ 427	lm
Beam Profile (St. 150x150x5mm)	€ 599	lm
Fabric protection cover (Al. -63x__cm)	€ 59	m ²
L1600 Gutter	€ 102	lm

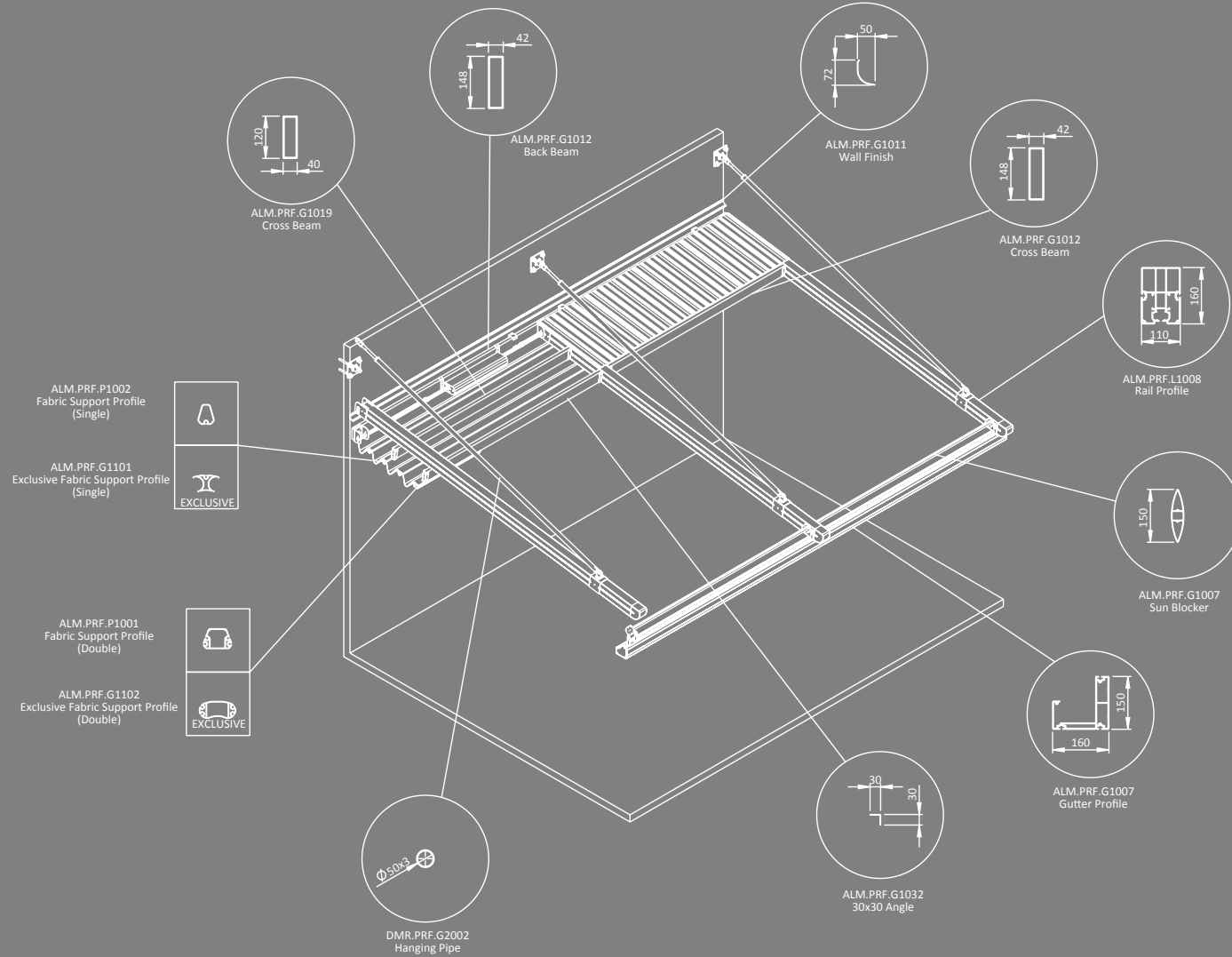
PRICE DIFFERENCE			
BEAM GROUP			
Standard	Al. 42x150mm		
Back Beam to	Al. 50x150mm	€ 78	lm
	St. 50x150x3mm	€ 101	lm
	St. 50x150x5mm	€ 187	lm
	Al. 100x150mm	€ 47	lm
	St. 100x150x3mm	€ 204	lm
	St. 100x150x5mm	€ 277	lm
	St. 100x200x3mm	€ 209	lm
	St. 100x200x5mm	€ 349	lm

Notes:

1. Fabric support profiles can be painted in the same color as the general construction. No fee is paid for this process. However, the plastic color should be specified from our standard plastic colours in Palmiye Colour Chart.
2. For one product, a dry contact transmitter costing 370€, must be added.
3. Up to 5 products, a RS485 Automation interface dry contact transmitter costing 1126€, must be added.
4. The prices in the main table are for wall mounted products. This model also can be made as freestanding. For freestanding applications "FS10-150ST3" or "FS10-150ST5" pillar options and "St. 150x150x3mm" or "St. 150x150x5mm" back beam options should be added to the main prices.



HANGING SYSTEM TECHNICAL DETAILS



TECHNICAL DETAILS

WATER DRAIN&GUTTER CALCULATION

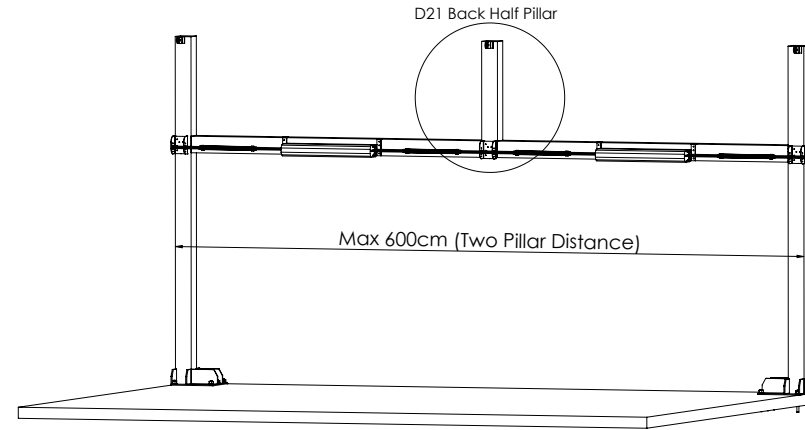
PRODUCT TYPE	MAX. M ²	USED PRODUCT TYPE
WATER DRAINAGE 45	34m ²	1200 Series Standard
WATER DRAINAGE 65	42m ²	Standard

*There should be at least one drainage, each 8 m length gutter.

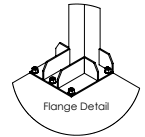
MINIMUM SLOPE CHART

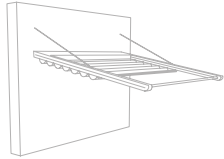
Slope	Rail Center										
	200	225	250	275	300	325	350	375	400	425	450
6.4-7.9%	16	19	21	24	26	28	30	33	35	38	40
7.4-8.8%	20	23	26	29	31	34	37	40	42	45	48
8.4-9.7%	23	27	30	34	37	40	43	46	49	53	56
9.4-10.8%	27	31	35	39	42	46	49	53	57	61	64
10.4-12%	32	36	40	44	48	52	56	60	64	69	73
11.2-12.7%	36	41	45	50	54	59	63	68	72	77	81
12-13.4%	40	45	50	55	60	65	70	75	80	85	90
13-14.5%	44	50	55	61	66	72	77	83	88	94	99
14-15.7%											
15-16.6%											
16-17.6%											

*Note: Max. slope can be up to 25%
For back height of system 30 cm should be added to slope value.



- This model includes 3m steel back beam and pillars.
- The front beam can not be produced in steel.
- Ground flanges are 380x380x15 mm.
- When pillar reduction is applied, half pillar must be installed at the back of each rail shaft, and all steel pillars should be 150x150x5 mm.
- In condition of adding an additional rail, a steel 150x150x3m back pillar should also be added.





HANGING SYSTEM

		WIDTH																						
PROJECTION		2 RAIL					3 RAIL							4 RAIL								FS4-L1600 (R97)		
		250 cm	300 cm	350 cm	400 cm	450 cm	500 cm	550 cm	600 cm	650 cm	700 cm	750 cm	800 cm	850 cm	900 cm	950 cm	1000 cm	1050 cm	1100 cm	1150 cm	1200 cm	1250 cm	1300 cm	
200 cm		€ 6.301	€ 6.610	€ 7.049	€ 7.499	€ 7.821	€ 8.842	€ 9.154	€ 9.467	€ 10.023	€ 10.292	€ 10.709	€ 11.018	€ 11.329	€ 11.640	€ 13.029	€ 13.336	€ 13.649	€ 13.958	€ 14.269	€ 14.519	€ 14.919	€ 15.374	€ 1.168
250 cm		€ 6.561	€ 7.029	€ 7.458	€ 7.791	€ 8.119	€ 9.238	€ 9.707	€ 10.026	€ 10.446	€ 10.726	€ 11.152	€ 11.617	€ 12.084	€ 12.256	€ 13.600	€ 13.918	€ 14.385	€ 14.703	€ 15.023	€ 15.280	€ 15.691	€ 16.153	€ 1.289
300 cm		€ 7.025	€ 7.546	€ 8.025	€ 8.413	€ 8.795	€ 10.040	€ 10.558	€ 10.929	€ 11.402	€ 11.725	€ 12.204	€ 12.716	€ 13.236	€ 13.460	€ 14.943	€ 15.313	€ 15.830	€ 16.197	€ 16.568	€ 16.869	€ 17.329	€ 17.842	€ 1.411
350 cm		€ 7.444	€ 7.824	€ 8.316	€ 8.861	€ 9.253	€ 10.591	€ 10.976	€ 11.502	€ 11.985	€ 12.313	€ 12.802	€ 13.328	€ 13.861	€ 14.088	€ 15.820	€ 16.199	€ 16.582	€ 16.958	€ 17.482	€ 17.789	€ 18.260	€ 18.639	€ 1.530
400 cm		€ 7.715	€ 8.105	€ 8.607	€ 9.161	€ 9.564	€ 11.002	€ 11.396	€ 11.931	€ 12.423	€ 12.762	€ 13.260	€ 13.793	€ 14.332	€ 14.576	€ 16.410	€ 16.799	€ 17.194	€ 17.579	€ 18.112	€ 18.429	€ 18.908	€ 19.295	€ 1.652
450 cm		€ 7.994	€ 8.395	€ 8.906	€ 9.472	€ 9.886	€ 11.421	€ 11.825	€ 12.371	€ 12.873	€ 13.220	€ 13.727	€ 14.271	€ 14.820	€ 15.071	€ 17.015	€ 17.413	€ 17.814	€ 18.211	€ 18.757	€ 19.076	€ 19.566	€ 19.962	€ 1.773
500 cm		€ 8.267	€ 8.678	€ 9.200	€ 9.776	€ 10.200	€ 11.836	€ 12.247	€ 12.803	€ 13.317	€ 13.670	€ 14.187	€ 14.741	€ 15.302	€ 15.561	€ 17.611	€ 18.019	€ 18.430	€ 18.835	€ 19.389	€ 19.719	€ 20.217	€ 20.626	€ 1.895
550 cm		€ 8.541	€ 8.963	€ 9.495	€ 10.080	€ 10.514	€ 12.251	€ 12.671	€ 13.236	€ 13.762	€ 14.120	€ 14.648	€ 15.212	€ 15.785	€ 16.051	€ 18.206	€ 18.625	€ 19.045	€ 19.458	€ 20.023	€ 20.362	€ 20.870	€ 21.287	€ 2.017
600 cm		€ 8.816	€ 9.246	€ 9.788	€ 10.384	€ 10.829	€ 12.666	€ 13.093	€ 13.668	€ 14.207	€ 14.571	€ 15.108	€ 15.681	€ 16.266	€ 16.541	€ 18.804	€ 19.231	€ 19.662	€ 20.082	€ 20.655	€ 21.004	€ 21.523	€ 21.949	€ 2.138

G22	€ 244	€ 252	€ 274	€ 303	€ 331	€ 353	€ 380	€ 404	€ 430	€ 454	€ 584	€ 610	€ 637	€ 659	€ 688	€ 714	€ 738	€ 764	€ 788	€ 815	€ 839	€ 865
FS5-A	€ 43	€ 54	€ 64	€ 73	€ 84	€ 93	€ 105	€ 114	€ 125	€ 135	€ 146	€ 155	€ 166	€ 176	€ 187	€ 196	€ 208	€ 217	€ 228	€ 237	€ 249	€ 258
FS5-E	€ 59	€ 75	€ 88	€ 100	€ 116	€ 129	€ 144	€ 157	€ 173	€ 185	€ 201	€ 214	€ 229	€ 242	€ 257	€ 270	€ 286	€ 299	€ 314	€ 327	€ 342	€ 355

		LED TYPE & MODULE		
		2 LED	3 LED	4 LED
G22	L1600 Gutter System	FS8		
FS5-A	Additional Fabric Support Profile (Standard)	FS8-S	SPOT	
FS4-L1600 (R97)	Additional Rail - Al. 110x160mm	FS8-L	LINEAR	
FS8	Lighting System	FS8-L (RGB)	LINEAR (RGB)	
		€ 132	€ 160	€ 189
		€ 189	€ 245	
		€ 240	€ 311	

Notes:

1. FS Flexy Plain/3D or Stam 6002 is included in the price.
2. Motor and Remote control is included in the price.
3. Palmiye Aluminium Coating Catalogue includes the standard colours with no extra cost. For any other type/brand/color of paint, price difference and additional delivery duration shall be checked from your customer representative.
4. Standard "Fabric support profile plastic colors" are specified in our Aluminium coating catalogue.

OPTIONS

FS10-L1600 (ALM-16)	Extra pillar (100x160mm Al.) for L1600 series	€ 352	pcs
FS10	Extra pillar (100x100mm Al.)	€ 525	pcs
FS10-ST3	Extra pillar (100x100x3mm St.)	€ 653	pcs
FS10-ST5	Extra pillar (100x100x5mm St.)	€ 951	pcs
FS11	Deco ceiling cover	€ 73	m ²
FS13-A	Wavy ceiling cover (for flexy fabric) (up to 350 cm width)	€ 37	m ²
FS15	Side beam pillar (50x100mm - Al)	€ 272	pcs
FS15-L1600 (ALM-11)	Side beam pillar (100x100mm - Al) for L1600 series	€ 345	pcs
FS19	Fix louver	€ 72	lm
FS23	External Square Downpipe	€ 321	pcs
FS24	W96 Ceiling Cover	€ 84	m ²
FS26	Exclusive fabric difference (up to 800cm width)	€ 49	m ²
FS28-1	Stainless steel chain - 100 cm	€ 76	1m
FS28-2	Stainless steel chain - 200 cm	€ 149	2m
FS28-3	Stainless steel chain - 300 cm	€ 223	3m
FS28-4	Stainless steel chain - 400 cm	€ 297	4m
FS29-1	Sun Sensor (SUNIS) (for single motor)	€ 607	pcs
FS29-1S	Sun Sensor (SUNIS) (for synchronized motor)	€ 962	pcs
FS29-2	Wind Sensor (EOLIS RTS) (for single motor)	€ 284	pcs
FS29-2S	Wind Sensor (EOLIS RTS) (for synchronized motor)	€ 639	pcs
FS10-150ST5	Extra pillar (150x150x5mm St.)	€ 1.702	pcs

EXTENSIONS

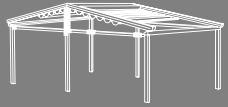
L1600 Rail - 110x160mm	€ 262	lm
Beam Profile (Al. 42x150mm)	€ 102	lm
Beam Profile (Al. 50x150mm)	€ 180	lm
Beam Profile (Al. 100x150mm)	€ 150	lm
Beam Profile (St. 100x150x3mm)	€ 311	lm
Beam Profile (St. 100x150x5mm)	€ 377	lm
Beam Profile (St. 100x200x3mm)	€ 315	lm
Beam Profile (St. 100x200x5mm)	€ 448	lm
Beam Profile (St. 150x150x3mm)	€ 427	lm
Beam Profile (St. 150x150x5mm)	€ 599	lm
Fabric protection cover (Al. - 63x__cm)	€ 59	m ²
L1600 Gutter	€ 102	lm

PRICE DIFFERENCE

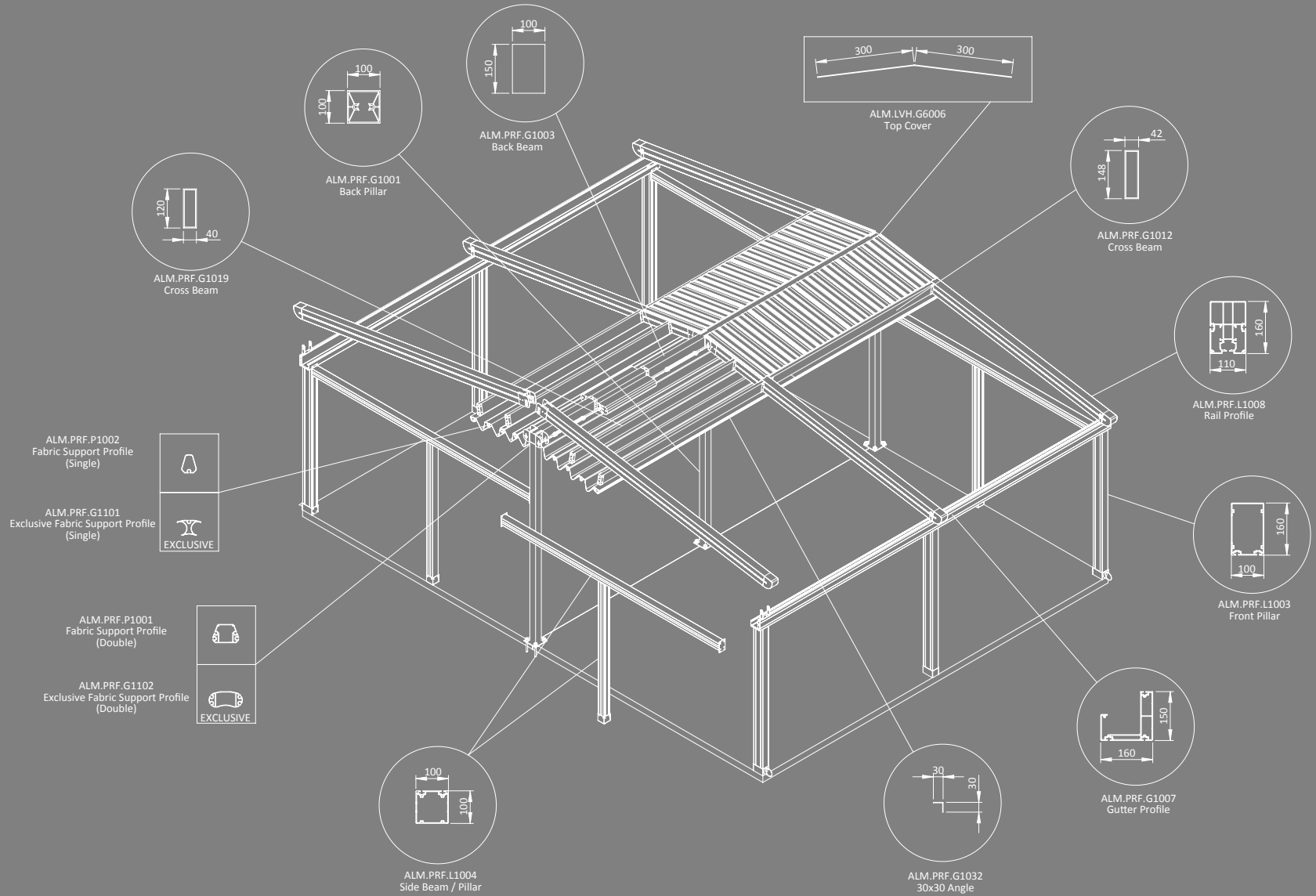
		BEAM GROUP	
Standard	Al. 42x150mm		
Back Beam to	Al. 50x150mm	€ 78	lm
	St. 50x150x3mm	€ 101	lm
	St. 50x150x5mm	€ 187	lm
	Al. 100x150mm	€ 47	lm
	St. 100x150x3mm	€ 204	lm
	St. 100x150x5mm	€ 277	lm
	St. 100x200x3mm	€ 209	lm
	St. 100x200x5mm	€ 349	lm

Notes:

1. Fabric support profiles can be painted in the same color as the general construction. No fee is paid for this process. However, the plastic color should be specified from our standard plastic colours in Palmiye Colour Chart.
2. For one product, a dry contact transmitter costing 370€, must be added.
3. Up to 5 products, a RS485 Automation interface dry contact transmitter costing 1126€, must be added.
4. The prices in the main table are for wall mounted products. This model also can be made as freestanding. For freestanding applications "FS10-150ST3" or "FS10-150ST5" pillar options and "St. 150x150x3mm" or "St. 150x150x5mm" back beam options should be added to the main prices.



TWIN STANDING SYSTEM WITH FRONT PILLAR



Freestanding products must have flanges on the pillars.

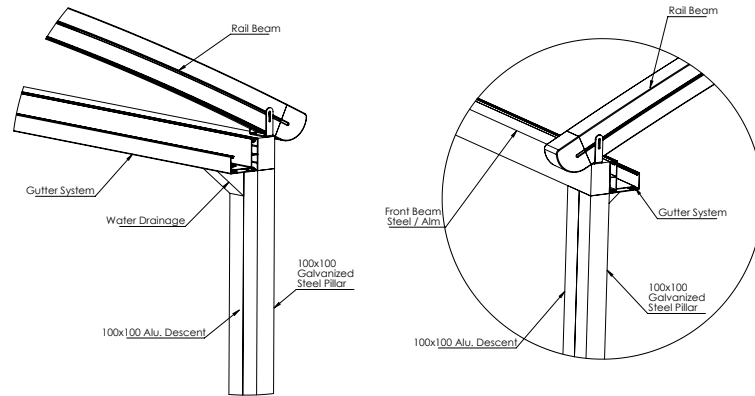
TECHNICAL DETAILS

WATER DRAIN&GUTTER CALCULATION

PRODUCT TYPE	MAX. M²	USED PRODUCT TYPE
WATER DRAINAGE 45	34m²	1200 Series Standard
WATER DRAINAGE 65	42m²	Standard

*There should be at least one drainage, each 8 m length gutter.

APPLICATION FORM IN STEEL FRONT BEAM AND DEVICE



* In use of aluminum front pillar of 100*100 and front beam of 100*150 water drain, is applied from the available pillar. No external descent is applied.

MINIMUM SLOPE CHART

Slope	Rail Center										
	200	225	250	275	300	325	350	375	400	425	450
6,4-7,9%	16	19	21	24	26	28	30	33	35	38	40
7,4-8,8%	20	23	26	29	31	34	37	40	42	45	48
8,4-9,7%	23	27	30	34	37	40	43	46	49	53	56
9,4-10,8%	27	31	35	39	42	46	49	53	57	61	64
10,4-12%	32	36	40	44	48	52	56	60	64	69	73
11,2-12,7%	36	41	45	50	54	59	63	68	72	77	81
12-13,4%	40	45	50	55	60	65	70	75	80	85	90
13-14,5%	44	50	55	61	66	72	77	83	88	94	99
14-15,7%	49	55	61	67	72	78	84	90	96	102	108
15-16,6%	54	60	66	73	79	85	91	98	104	111	117
16-17,6%	59	66	72	79	85	92	99	106	112	119	126
	63	70	77	85	92	99	106	114	121	129	136
	67	75	82	91	99	106	113	122	130	138	146
	71	79	87	97	106	113	120	130	139	148	156
	75	84	92	103	113	120	127	138	148	157	166
	79	88	97	109	120	127	134	146	157	167	176

*Note: Max. slope can be up to 25%
For back height of system 30 cm should be added to slope value.

TERMS OF USE OF MIDDLE PILLAR AND BEAM FOR TWIN STANDING SYSTEM (STANDART)

PROJECTION	PRODUCT WIDTH																	
	450	500	550	600	650	700	750	800	850	900	950	1000	1050	1100	1150	1200	1250	1300
800	A	A	A	A	A	A	A	A	A	A	A	A	A	A	A	A	A	A
900	A	A	A	A	A	A	A	A	A	A	A	A	A	A	A	A	A	A
1000	A	A	A	A	A	A	A	A	A	A	A	A	A	A	A	A	A	A
1100	A	A	A	A	A	A	A	A	A	A	A	A	A	A	A	A	A	A
1200	A	A	A	A	A	A	A	A	A	A	A	A	A	A	A	A	A	A
1300	A	A	A	A	A	A	A	A	A	A	A	A	A	A	A	A	A	A
1400	A	A	A	A	A	A	A	A	A	A	A	A	A	A	A	A	A	A
1500	A	A	A	A	A	A	A	A	A	A	A	A	A	A	A	A	A	A
1600	A	A	A	A	A	A	A	A	A	A	A	A	A	A	A	A	A	A
1700	A	A	A	A	A	A	A	A	A	A	A	A	A	A	A	A	A	A
1800	A	A	A	A	A	A	B	B	B	B	B	B	B	B	B	B	B	B
1900	A	A	A	A	A	B	B	B	B	B	B	B	B	B	B	B	B	B
2000	A	A	A	A	B	B	B	B	B	B	B	B	B	B	B	B	B	B
	GROUND FLANGE BACK PILLAR BACK BEAM	A	200*200*10 FLANGE ALU 100*100 ALU				B	200*200*10 FLANGE G.S 100*100*3MM G.S										

* Price of middle pillar and beam is included in the list price for twin standing system.

TERMS OF USE OF MIDDLE PILLAR AND BEAM

PROJECTION	OUT TO OUT PILLAR SIZE						
	500	550	600	700	750	800	900
800	B	B	B	C	D	D	D
1000	B	B	B	C	D	D	D
1200	B	B	C	C	D	D	D
1400	B	C	C	C	D	D	D
1600	C	C	C	C	D	D	D
1800	C	C	C	D	D	D	D
2000	C	D	D	D	D	D	D
F PILLAR F BEAM	B	100*100 ALU 100*150 ALU	C	100*100*3 G.S 100*150*3 G.S	D	100*100*5 G.S 100*200*5 G.S	

* Use of middle pillar and beam should be additionally priced.
* Floor mounting of the pillar is performed with flange of 200*200*10 mm or ground anchor.
* Maximum height is 4m for aluminum middle pillars and 5m for steel middle pillars.

TERMS OF USE OF FRONT PILLAR AND BEAM

PROJECTION	OUT TO OUT PILLAR SIZE					
	450	550	600	650	700	
800	A	A	B	B	C	
1000	A	A	B	B	C	
1200	A	A	B	C	C	
1400	A	B	B	C	C	
1600	A	B	C	C	C	
1800	A	B	C	C	C	
2000	A	B	C	C	C	
F PILLAR F BEAM	A	100*100 ALU 100*150 ALU	B	100*100*3 G.S 100*150*3 G.S	C	100*100*5 G.S 100*200*5 G.S

* Use of front pillar and beam should be additionally priced.
* Ground mounting of the pillar is performed with flange of 200x200x10 or 100x100 stainless ground anchor.
* Application is made behind the gutter system.
* Maximum height is 4m for aluminum front pillars and 5m for steel front pillars.
* If front pillar and beam is made of steel, water drain is given from empty aluminum box profile of 100*100.



TWIN STANDING SYSTEM WITH FRONT PILLAR

		WIDTH																				FS4-L1600 (R97)		
		2 RAIL					3 RAIL										4 RAIL							
		250 cm	300 cm	350 cm	400 cm	450 cm	500 cm	550 cm	600 cm	650 cm	700 cm	750 cm	800 cm	850 cm	900 cm	950 cm	1000 cm	1050 cm	1100 cm	1150 cm	1200 cm		1250 cm	1300 cm
PROJECTION	400 cm	€ 10.167	€ 10.650	€ 11.266	€ 11.949	€ 13.729	€ 14.444	€ 14.929	€ 15.589	€ 16.190	€ 16.605	€ 17.189	€ 17.845	€ 20.125	€ 20.601	€ 21.303	€ 21.779	€ 22.258	€ 22.732	€ 23.390	€ 23.774	€ 24.365	€ 24.841	€ 1.652
	450 cm	€ 10.519	€ 11.014	€ 11.643	€ 12.340	€ 14.243	€ 14.972	€ 15.469	€ 16.141	€ 16.754	€ 17.180	€ 17.776	€ 18.444	€ 20.857	€ 21.345	€ 22.058	€ 22.546	€ 23.036	€ 23.524	€ 24.195	€ 24.585	€ 25.188	€ 25.674	€ 1.773
	500 cm	€ 10.865	€ 11.372	€ 12.015	€ 12.723	€ 14.752	€ 15.493	€ 15.999	€ 16.683	€ 17.312	€ 17.744	€ 18.354	€ 19.035	€ 21.577	€ 22.079	€ 22.805	€ 23.305	€ 23.807	€ 24.306	€ 24.986	€ 25.389	€ 26.004	€ 26.503	€ 1.895
	550 cm	€ 11.461	€ 12.220	€ 12.925	€ 13.701	€ 15.888	€ 16.694	€ 17.442	€ 18.010	€ 18.882	€ 19.372	€ 20.042	€ 20.789	€ 23.427	€ 24.017	€ 24.832	€ 25.422	€ 26.167	€ 26.730	€ 27.473	€ 27.925	€ 28.602	€ 29.344	€ 2.017
	600 cm	€ 11.819	€ 12.590	€ 13.310	€ 14.095	€ 16.407	€ 17.225	€ 17.991	€ 18.569	€ 19.451	€ 19.952	€ 20.634	€ 21.391	€ 24.247	€ 24.821	€ 25.620	€ 26.195	€ 26.952	€ 27.527	€ 28.283	€ 28.745	€ 29.433	€ 30.186	€ 2.138
	650 cm	€ 12.166	€ 12.953	€ 13.684	€ 14.481	€ 16.914	€ 17.749	€ 18.526	€ 19.118	€ 20.011	€ 20.443	€ 21.133	€ 21.900	€ 24.967	€ 25.558	€ 26.371	€ 26.961	€ 27.637	€ 28.316	€ 29.083	€ 29.554	€ 30.254	€ 31.020	€ 2.260
	700 cm	€ 12.517	€ 13.312	€ 14.055	€ 14.870	€ 17.432	€ 18.276	€ 19.061	€ 19.669	€ 20.575	€ 21.011	€ 21.716	€ 22.494	€ 25.704	€ 26.303	€ 27.126	€ 27.725	€ 28.505	€ 29.104	€ 29.886	€ 30.363	€ 31.077	€ 31.854	€ 2.381
	750 cm	€ 12.868	€ 13.677	€ 14.432	€ 15.256	€ 17.946	€ 18.802	€ 19.601	€ 20.216	€ 21.138	€ 21.582	€ 22.296	€ 23.088	€ 26.433	€ 27.045	€ 27.880	€ 28.491	€ 29.283	€ 29.894	€ 30.686	€ 31.174	€ 31.899	€ 32.687	€ 2.503
	800 cm	€ 13.335	€ 14.165	€ 14.941	€ 15.782	€ 18.625	€ 19.500	€ 20.320	€ 20.950	€ 21.897	€ 22.352	€ 23.081	€ 23.894	€ 27.411	€ 28.040	€ 28.892	€ 29.523	€ 30.334	€ 30.964	€ 31.772	€ 32.277	€ 33.017	€ 33.826	€ 2.624
	850 cm	€ 15.763	€ 16.518	€ 17.479	€ 18.541	€ 19.309	€ 22.392	€ 23.142	€ 24.168	€ 25.103	€ 25.745	€ 26.596	€ 27.619	€ 28.649	€ 29.108	€ 32.969	€ 33.710	€ 34.452	€ 35.190	€ 36.211	€ 36.803	€ 37.722	€ 38.458	€ 2.746
	900 cm	€ 16.046	€ 16.812	€ 17.781	€ 18.852	€ 19.630	€ 22.810	€ 23.573	€ 24.608	€ 25.551	€ 26.200	€ 27.064	€ 28.093	€ 29.136	€ 29.599	€ 33.568	€ 34.316	€ 35.067	€ 35.817	€ 36.847	€ 37.444	€ 38.372	€ 39.118	€ 2.867
	950 cm	€ 16.324	€ 17.098	€ 18.078	€ 19.161	€ 19.948	€ 23.225	€ 23.995	€ 25.039	€ 25.996	€ 26.650	€ 27.522	€ 28.562	€ 29.615	€ 30.087	€ 34.158	€ 34.917	€ 35.676	€ 36.433	€ 37.474	€ 38.080	€ 39.016	€ 39.773	€ 2.987
	1000 cm	€ 16.601	€ 17.386	€ 18.376	€ 19.469	€ 20.266	€ 23.640	€ 24.417	€ 25.471	€ 26.438	€ 27.100	€ 27.981	€ 29.031	€ 30.096	€ 30.575	€ 34.749	€ 35.516	€ 36.286	€ 37.050	€ 38.101	€ 38.715	€ 39.662	€ 40.428	€ 3.108
	1050 cm	€ 17.074	€ 18.053	€ 19.094	€ 20.236	€ 21.084	€ 24.584	€ 25.549	€ 26.511	€ 27.670	€ 28.377	€ 29.306	€ 30.405	€ 31.518	€ 32.189	€ 36.336	€ 37.175	€ 38.135	€ 38.948	€ 40.047	€ 40.700	€ 41.696	€ 42.651	€ 3.230
	1100 cm	€ 17.545	€ 18.720	€ 19.809	€ 21.006	€ 21.904	€ 25.525	€ 26.682	€ 27.553	€ 28.901	€ 29.653	€ 30.629	€ 31.781	€ 32.941	€ 33.804	€ 37.925	€ 38.832	€ 39.983	€ 40.848	€ 41.994	€ 42.687	€ 43.728	€ 44.874	€ 3.350
	1050 cm	€ 17.829	€ 19.016	€ 20.117	€ 21.322	€ 22.229	€ 25.947	€ 27.116	€ 27.996	€ 29.353	€ 30.112	€ 31.098	€ 32.258	€ 33.429	€ 34.301	€ 38.547	€ 39.443	€ 40.603	€ 41.477	€ 42.632	€ 43.332	€ 44.382	€ 45.539	€ 3.473
	1200 cm	€ 18.114	€ 19.311	€ 20.426	€ 21.636	€ 22.553	€ 26.371	€ 27.550	€ 28.441	€ 29.802	€ 30.570	€ 31.567	€ 32.736	€ 33.917	€ 34.799	€ 39.169	€ 40.053	€ 41.222	€ 42.106	€ 43.271	€ 43.978	€ 45.037	€ 46.202	€ 3.592
	1050 cm	€ 18.392	€ 19.603	€ 20.723	€ 21.944	€ 22.873	€ 26.784	€ 27.974	€ 28.875	€ 30.247	€ 30.961	€ 31.961	€ 33.139	€ 34.321	€ 35.216	€ 39.761	€ 40.657	€ 41.762	€ 42.727	€ 43.901	€ 44.615	€ 45.685	€ 46.861	€ 3.714
	1300 cm	€ 18.670	€ 19.893	€ 21.020	€ 22.251	€ 23.192	€ 27.199	€ 28.399	€ 29.309	€ 30.692	€ 31.350	€ 32.357	€ 33.542	€ 34.726	€ 35.633	€ 40.355	€ 41.261	€ 42.304	€ 43.349	€ 44.533	€ 45.254	€ 46.333	€ 47.517	€ 3.834
	1050 cm	€ 18.951	€ 20.179	€ 21.318	€ 22.562	€ 23.510	€ 27.618	€ 28.823	€ 29.745	€ 31.136	€ 31.800	€ 32.819	€ 34.012	€ 35.211	€ 36.121	€ 40.951	€ 41.864	€ 42.986	€ 43.971	€ 45.166	€ 45.892	€ 46.982	€ 48.174	€ 3.957
1400 cm	€ 19.231	€ 20.467	€ 21.615	€ 22.871	€ 23.828	€ 28.034	€ 29.248	€ 30.183	€ 31.583	€ 32.250	€ 33.281	€ 34.485	€ 35.697	€ 36.609	€ 41.546	€ 42.467	€ 43.670	€ 44.593	€ 45.800	€ 46.531	€ 47.634	€ 48.832	€ 4.079	
1450 cm	€ 20.571	€ 21.816	€ 22.974	€ 24.237	€ 25.204	€ 29.510	€ 30.734	€ 31.675	€ 33.087	€ 33.761	€ 34.798	€ 36.012	€ 37.231	€ 38.155	€ 43.199	€ 44.131	€ 45.343	€ 46.274	€ 47.490	€ 48.228	€ 49.340		€ 4.199	
1500 cm	€ 20.850	€ 22.106	€ 23.275	€ 24.546	€ 25.522	€ 29.928	€ 31.160	€ 32.110	€ 33.534	€ 34.213	€ 35.258	€ 36.481	€ 37.707	€ 38.643	€ 43.794	€ 44.736	€ 45.958	€ 46.898	€ 48.121	€ 48.869	€ 49.986		€ 4.322	
1550 cm	€ 21.323	€ 22.632	€ 23.850	€ 25.171	€ 26.201	€ 30.732	€ 32.016	€ 33.013	€ 34.485	€ 35.206	€ 36.302	€ 37.572	€ 38.846	€ 39.835	€ 45.130	€ 46.118	€ 47.391	€ 48.379	€ 49.651	€ 50.441			€ 4.441	
1600 cm	€ 21.799	€ 23.158	€ 24.426	€ 25.800	€ 26.882	€ 31.538	€ 32.872	€ 33.917	€ 35.439	€ 36.201	€ 37.348	€ 38.664	€ 39.987	€ 41.028	€ 46.465	€ 47.502	€ 48.826	€ 49.861	€ 51.184	€ 52.014			€ 4.563	
1650 cm	€ 22.274	€ 23.707	€ 25.050	€ 26.505	€ 27.662	€ 32.391	€ 33.803	€ 34.920	€ 36.517	€ 37.344	€ 38.614	€ 40.006	€ 41.403	€ 42.520	€ 48.058	€ 49.166							€ 4.685	
1700 cm	€ 22.752	€ 24.258	€ 25.673	€ 27.208	€ 28.442	€ 33.245	€ 34.732	€ 35.922	€ 37.596	€ 38.485	€ 39.881	€ 41.347	€ 42.818	€ 44.011	€ 49.651	€ 50.828							€ 4.809	
1750 cm	€ 23.231	€ 24.789	€ 26.257	€ 27.844	€ 29.131	€ 34.062	€ 35.602	€ 36.839	€ 38.563	€ 39.494	€ 40.943	€ 42.457	€ 43.977	€ 45.224	€ 51.009	€ 52.235							€ 4.931	
1800 cm	€ 23.711	€ 25.322	€ 26.839	€ 28.480	€ 29.819	€ 34.880	€ 36.470	€ 37.757	€ 39.531	€ 40.505	€ 42.276	€ 43.871	€ 45.469	€ 46.801	€ 52.700	€ 54.006							€ 5.055	
1850 cm	€ 24.190	€ 25.854	€ 27.422	€ 29.117	€ 30.508	€ 35.696	€ 37.339	€ 38.674	€ 40.496	€ 41.757	€ 43.338	€ 44.981	€ 46.629	€ 48.013	€ 54.058	€ 55.413							€ 5.179	
1900 cm	€ 24.669	€ 26.387	€ 28.006	€ 29.753	€ 31.198	€ 36.514	€ 38.207	€ 39.593	€ 41.464	€ 42.768	€ 44.399	€ 46.090	€ 47.787	€ 49.225	€ 55.417	€ 56.820							€ 5.301	
1950 cm	€ 25.149	€ 26.918	€ 28.587	€ 30.388	€ 31.887	€ 37.330	€ 39.077	€ 40.510	€ 42.431	€ 43.779	€ 45.460	€ 47.200	€ 48.945	€ 50.437	€ 56.775	€ 58.228							€ 5.425	
2000 cm	€ 27.910	€ 29.903	€ 31.783	€ 33.808	€ 35.505	€ 41.594	€ 43.558	€ 45.179	€ 47.332	€ 48.850	€ 50.744	€ 52.699	€ 54.660	€ 56.347	€ 63.435	€ 65.077							€ 6.064	
FS5-A	€ 43	€ 54	€ 64	€ 73	€ 84	€ 93	€ 105	€ 114	€ 125	€ 135	€ 146	€ 155	€ 166	€ 176	€ 187	€ 196	€ 208	€ 217	€ 228	€ 237	€ 249	€ 258		
FS5-E	€ 59	€ 75	€ 88	€ 100	€ 116	€ 129	€ 144	€ 157	€ 173	€ 185	€ 201	€ 214	€ 229	€ 242	€ 257	€ 270	€ 286	€ 299	€ 314	€ 327	€ 342	€ 355		

Notes:

- FS9-L1600 (Y64) Side Beam is included in the price for right and left side as a standard. For other option which is FS9 (Al. 50x150mm) doesn't apply any charge. But, please define on your technical drawing.
- If the projection is bigger than 700cm, a side beam pillar needs to be added up to rail, FS15-L1600-side beam pillar (100x100mm -Al) for 1600 series, included in the product price.
- FS Flexy Plain/3D or Stam 6002 is included in the price.
- Motor and Remote control is included in the price.
- Palmye Aluminium Coating Catalogue includes the standard colours with no extra cost. For any other type/brand/colour of paint, price difference and additional delivery duration shall be checked from your customer representative.
- Standard "Fabric support profile plastic colors" are specified in our Aluminium coating catalogue.

DEDUCTIONS

Price deduction is applicable only for pillars and beam. Deduction amount shall be consider as 70% of related option price.

FS5-A	Additional Fabric Support Profile (Standard)
FS4-L1600 (R97)	Additional Rail - Al. 110x160mm
FS8	Lighting System

LED TYPE & MODULE		
2 LED	3 LED	4 LED
€ 132	€ 160	€ 189
€ 189	€ 245	
€ 240	€ 311	

FS8	
FS8-S	SPOT
FS8-L	LINEAR
FS8-LR	LINEAR (RGB)

OPTIONS

FS10-L1600 (ALM-16)	Extra pillar (100x160mm Al.) for L1600 series	€ 352	pcs
FS10	Extra pillar (100x100mm Al.)	€ 525	pcs
FS10-ST3	Extra pillar (100x100x3mm St.)	€ 653	pcs
FS10-ST5	Extra pillar (100x100x5mm St.)	€ 951	pcs
FS11	Deco ceiling cover	€ 73	m²
FS13-A	Wavy ceiling cover (for flexy fabric) (up to 350 cm width)	€ 37	m²
FS15	Side beam pillar (50x100mm - Al)	€ 272	pcs
FS15-L1600 (ALM-11)	Side beam pillar (100x100mm - Al) for L1600 series	€ 345	pcs
FS19	Fix louver	€ 72	lm
FS23	External Square Downpipe	€ 321	pcs
FS24	W96 Ceiling Cover	€ 84	m²
FS26	Exclusive fabric difference (up to 800cm width)	€ 49	m²
FS29-1	Sun Sensor (SUNIS) (for single motor)	€ 607	pcs
FS29-1S	Sun Sensor (SUNIS) (for synchronized motor)	€ 962	pcs
FS29-2	Wind Sensor (EOLIS RTS) (for single motor)	€ 284	pcs
FS29-2S	Wind Sensor (EOLIS RTS) (for synchronized motor)	€ 639	pcs
FS29-3	Sun and Wind Sensor (SOLIRIS RTS) (for single motor)	€ 322	pcs
FS29-3S	Sun and Wind Sensor (SOLIRIS RTS) (for synchronized motor)	€ 676	pcs
FS29-4	* Rain Sensor (ONDEIS) (for single motor)	€ 558	pcs
FS29-4S	* Rain Sensor (ONDEIS) (for synchronized motor)	€ 912	pcs
FS30	CONNEXOON	€ 510	pcs

EXTENSIONS

L1600 Rail - 110x160mm	€ 262	lm
Beam Profile (Al. 42x150mm)	€ 102	lm
Beam Profile (Al. 50x150mm)	€ 180	lm
Beam Profile (Al. 100x150mm)	€ 150	lm
Beam Profile (St. 100x150x3mm)	€ 311	lm
Beam Profile (St. 100x150x5mm)	€ 377	lm
Beam Profile (St. 100x200x3mm)	€ 315	lm
Beam Profile (St. 100x200x5mm)	€ 448	lm
Fabric protection cover (Al. - 63x__cm)	€ 59	m²
L1600 Gutter	€ 102	lm

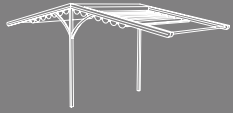
*Max. Al. Front pillar (Al. 100x160mm) height is 280cm.
 *Max. St 3mm. Front pillar (St. 100x100x3mm) height is 380cm.
 *Max. St. 5mm Front pillar (St. 100x100x5mm) height is 480cm.

PRICE DIFFERENCE

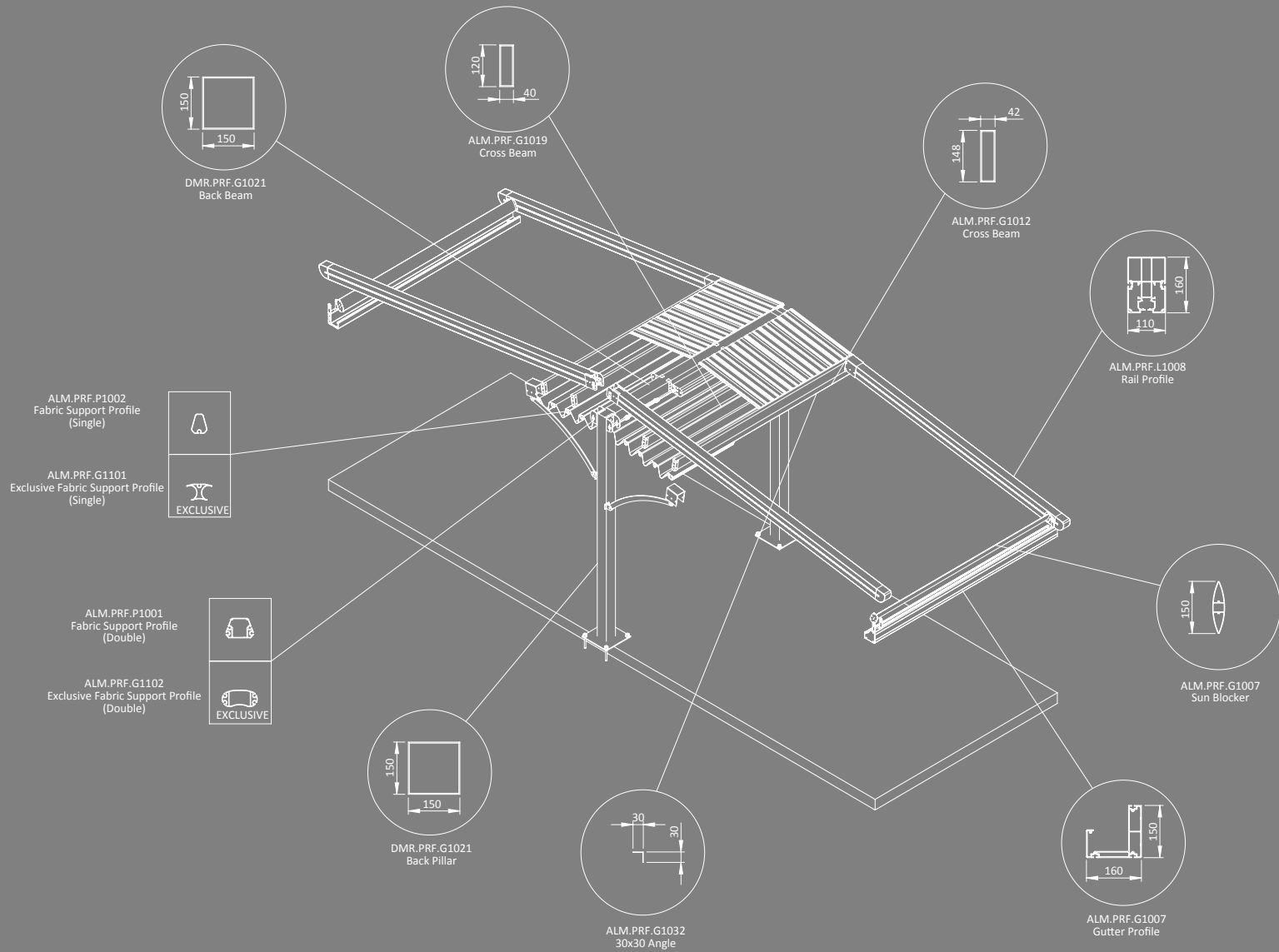
		BEAM GROUP	
		Standard	Al. 100x150mm
Back Beam	to	St. 100x150x3mm	€ 155 lm
		St. 100x150x5mm	€ 231 lm
		St. 100x200x3mm	€ 160 lm
		St. 100x200x5mm	€ 302 lm
		PILLAR GROUP	
		Standard	Al. 100x160mm
Front Pillar	to	Al. 100x100mm	€ 173 pcs
		St. 100x100x3mm	€ 191 pcs
		St. 100x100x5mm	€ 497 pcs
		St. 150x150x3mm	€ 765 pcs
		St. 150x150x5mm	€ 1.252 pcs
		Standard	Al. 100x100mm
Back Pillar	to	St. 100x100x3mm	€ 108 pcs
		St. 100x100x5mm	€ 443 pcs
		St. 150x150x3mm	€ 677 pcs
		St. 150x150x5mm	€ 1.197 pcs

Notes:

1. Fabric support profiles can be painted in the same color as the general construction. No fee is paid for this process. However, the plastic color should be specified from our standard plastic colours in Palmiye Color Chart.
2. For one product, a dry contact transmitter costing 370€, must be added.
3. Up to 5 products, a RS485 Automation interface dry contact transmitter costing 1126€, must be added.



TWIN BRACKET SYSTEM TECHNICAL DETAILS



TECHNICAL DETAILS

WATER DRAIN&GUTTER CALCULATION

PRODUCT TYPE	MAX. M²	USED PRODUCT TYPE
WATER DRAINAGE 45	34m²	1200 Series Standard
WATER DRAINAGE 65	42m²	Standard

*There should be at least one drainage, each 8 m length gutter.

MINIMUM SLOPE CHART

Projection	Slope	Rail Center																					
	6,4-7,9%	7,4-8,8%	8,4-9,7%	9,4-10,8%	10,4-12%	11,2-12,7%	12-13,4%	13-14,5%	14-15,7%	15-16,6%	16-17,6%	200	225	250	275	300	325	350	375	400	425	450	
250	16	19	21	24	26	28	30	33	35	38	40												
300	20	23	26	29	31	34	37	40	42	45	48												
350	23	27	30	34	37	40	43	46	49	53	56												
400	27	31	35	39	42	46	49	53	57	61	64												

*Note: Max. slope can be up to 25%
For back height of system 30 cm should be added to slope value.



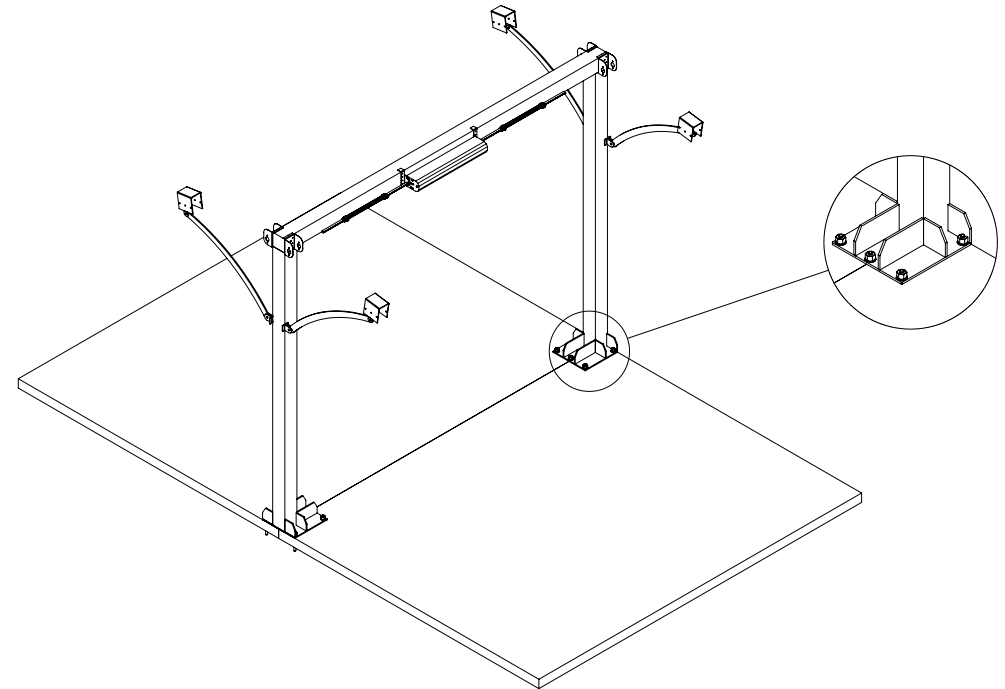
TWIN BRACKET SYSTEM

		WIDTH				
		2 RAIL				
		250 cm	300 cm	350 cm	400 cm	450 cm
PROJECTION	400 cm	€ 10.030	€ 10.496	€ 11.091	€ 11.750	€ 12.228
	450 cm	€ 10.362	€ 10.840	€ 11.446	€ 12.119	€ 12.608
	500 cm	€ 10.687	€ 11.176	€ 11.797	€ 12.481	€ 12.982
	550 cm	€ 11.254	€ 11.986	€ 12.667	€ 13.414	€ 13.978
	600 cm	€ 11.589	€ 12.335	€ 13.031	€ 13.788	€ 14.363
	650 cm	€ 11.917	€ 12.677	€ 13.383	€ 14.152	€ 14.742
	700 cm	€ 12.248	€ 13.015	€ 13.735	€ 14.519	€ 15.119
	750 cm	€ 12.578	€ 13.359	€ 14.088	€ 14.883	€ 15.495
800 cm	€ 13.021	€ 13.822	€ 14.571	€ 15.383	€ 16.013	

G22	€ 244	€ 252	€ 274	€ 303	€ 331
FS5-A	€ 43	€ 54	€ 64	€ 73	€ 84
FS5-E	€ 59	€ 75	€ 88	€ 100	€ 116

G22	L1600 Gutter System (One side)
FS5-A	Additional Fabric Support Profile (Standard)
FS8	Lighting System

FS8		LED TYPE & MODULE		
FS8-S	SPOT	2 LED	3 LED	4 LED
FS8-L	LINEAR	€ 132	€ 160	€ 189
FS8-LR	LINEAR (RGB)	€ 189	€ 245	
		€ 240	€ 311	



Notes:

1. Modules can not be combined.
2. Side beam is not applicable
3. FS Flexy Plain/3D or Stam 6002 is included in the price.
4. Motor and Remote control is included in the price.
5. Palmiye Aluminium Coating Catalogue includes the standard colours with no extra cost. For any other type/brand/coulor of paint, price difference and additional delivery duration shall be checked from your customer representative.
6. Standard "Fabric support profile plastic colors" are specified in our Aluminium coating catalogue.

DEDUCTIONS

Price deduction is applicable only for back pillars and back beam. Deduction amount shall be consider as 70% of related option price.

OPTIONS

FS10-L1600 (ALM-16)	Extra pillar (100x160mm Al.) for L1600 series	€ 352	pcs
FS10	Extra pillar (100x100mm Al.)	€ 525	pcs
FS10-ST3	Extra pillar (100x100x3mm St.)	€ 653	pcs
FS10-ST5	Extra pillar (100x100x5mm St.)	€ 951	pcs
FS11	Deco ceiling cover	€ 73	m ²
FS13-A	Wavy ceiling cover (for flexy fabric) (up to 350 cm width)	€ 37	m ²
FS15	Side beam pillar (50x100mm - Al)	€ 272	pcs
FS15-L1600 (ALM-11)	Side beam pillar (100x100mm - Al) for L1600 series	€ 345	pcs
FS19	Fix louver	€ 72	lm
FS23	External Square Downpipe	€ 321	pcs
FS24	W96 Ceiling Cover	€ 84	m ²
FS26	Exclusive fabric difference (up to 800cm width)	€ 49	m ²
FS28-1	Stainless steel chain - 100 cm	€ 76	1m
FS28-2	Stainless steel chain - 200 cm	€ 149	2m
FS28-3	Stainless steel chain - 300 cm	€ 223	3m
FS28-4	Stainless steel chain - 400 cm	€ 297	4m
FS29-1	Sun Sensor (SUNIS) (for single motor)	€ 607	pcs
FS29-2	Wind Sensor (EOLIS RTS) (for single motor)	€ 284	pcs
FS29-3	Sun and Wind Sensor (SOLIRIS RTS) (for single motor)	€ 322	pcs
FS29-4	* Rain Sensor (ONDEIS) (for single motor)	€ 558	pcs
FS30	CONNEXOON	€ 510	pcs
FS10-150ST5-H	Extra half pillar (150x150x5mm St.)	€ 205	pcs
FS10-150ST3	Extra pillar (150x150x3mm St.)	€ 1.217	pcs
FS10-150ST5	Extra pillar (150x150x5mm St.)	€ 1.702	pcs

EXTENSIONS

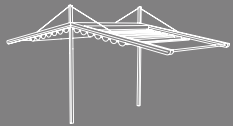
L1600 Rail - 110x160mm	€ 262	lm
Beam Profile (St. 150x150x3mm)	€ 427	lm
Beam Profile (St. 150x150x5mm)	€ 599	lm
Fabric protection cover (Al. - 63x___cm)	€ 59	m ²
L1600 Gutter	€ 102	lm

PRICE DIFFERENCE

BEAM GROUP			
Beam	Standard	St. 150x150x3mm	
	to	St. 150x150x5mm	€ 88 lm
PILLAR GROUP			
Pillar	Standard	St. 150x150x3mm	
	to	St. 150x150x5mm	€ 520 pcs

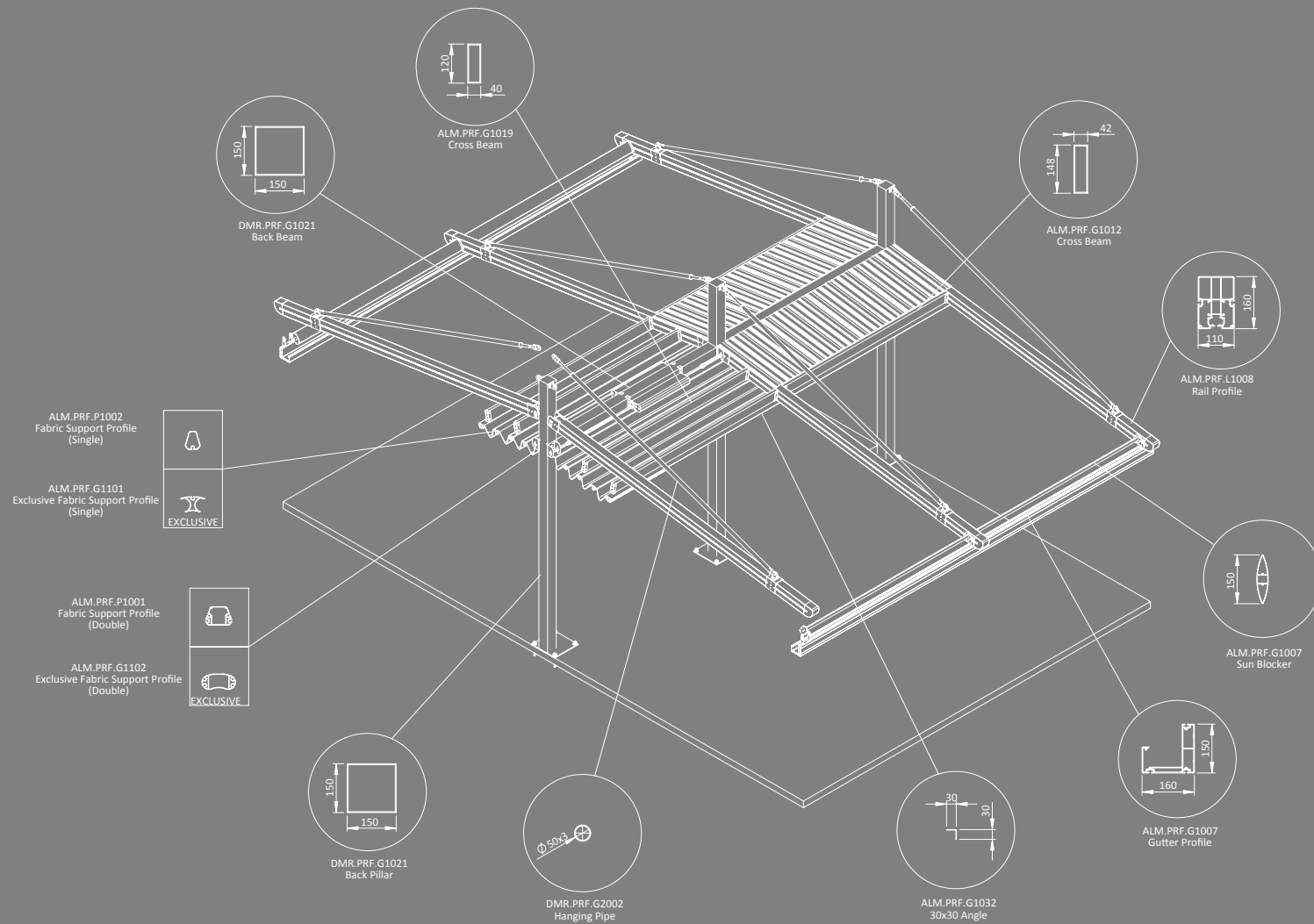
Notes:

1. Fabric support profiles can be painted in the same color as the general construction. No fee is paid for this process. However, the plastic color should be specified from our standard plastic colours in Palmiye Color Chart.
2. For one product, a dry contact transmitter costing 370€, must be added.
3. Up to 5 products, a RS485 Automation interface dry contact transmitter costing 1126€, must be added.
4. The prices in the main table are for wall mounted products. This model also can be made as freestanding. For freestanding applications "FS10-150ST3" or "FS10-150ST5" pillar options and "St. 150x150x3mm" or "St. 150x150x5mm" back beam options should be added to the main prices.



TWIN HANGING SYSTEM

TECHNICAL DETAILS



TECHNICAL DETAILS

WATER DRAIN&GUTTER CALCULATION

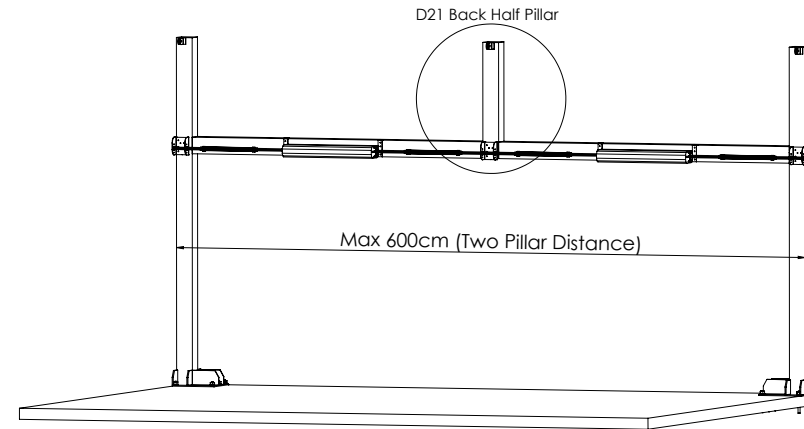
PRODUCT TYPE	MAX. M ²	USED PRODUCT TYPE
WATER DRAINAGE 45	34m ²	1200 Series Standard
WATER DRAINAGE 65	42m ²	Standard

*There should be at least one drainage, each 8 m length gutter.

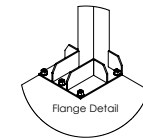
MINIMUM SLOPE CHART

Slope	Rail Center											
	200	225	250	275	300	325	350	375	400	425	450	
6,4-7,9%	16	19	21	24	26	28	30	33	35	38	40	
7,4-8,8%	20	23	26	29	31	34	37	40	42	45	48	
8,4-9,7%	23	27	30	34	37	40	43	46	49	53	56	
9,4-10,8%	27	31	35	39	42	46	49	53	57	61	64	
10,4-12%	32	36	40	44	48	52	56	60	64	69	73	
11,2-12,7%	36	41	45	50	54	59	63	68	72	77	81	
12-13,4%	40	45	50	55	60	65	70	75	80	85	90	
13-14,5%	44	50	55	61	66	72	77	83	88	94	99	
14-15,7%												
15-16,6%												
16-17,6%												

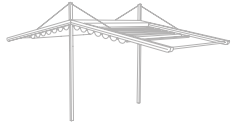
*Note: Max. slope can be up to 25%
For back height of system 30 cm should be added to slope value.



- This model includes 3m steel back beam and pillars.
- The front beam can not be produced in steel.
- Ground flanges are 380x380x15 mm.
- When pillar reduction is applied, half pillar must be installed at the back of each rail shaft, and all steel pillars should be 150x150x5 mm.
- In condition of adding an additional rail, a steel 150x150x3m back pillar should also be added.



Flange Detail



TWIN HANGING SYSTEM

		WIDTH																			FS4-L1600 (R97)			
		2 RAIL					3 RAIL							4 RAIL										
		250 cm	300 cm	350 cm	400 cm	450 cm	500 cm	550 cm	600 cm	650 cm	700 cm	750 cm	800 cm	850 cm	900 cm	950 cm	1000 cm	1050 cm	1100 cm	1150 cm	1200 cm	1250 cm	1300 cm	
PROJECTION	400 cm	€ 10.853	€ 11.353	€ 11.992	€ 12.699	€ 13.210	€ 15.537	€ 16.039	€ 16.721	€ 17.345	€ 17.775	€ 18.381	€ 19.061	€ 19.749	€ 20.056	€ 22.942	€ 23.437	€ 23.936	€ 24.425	€ 25.107	€ 25.505	€ 26.116	€ 26.607	€ 1.652
	450 cm	€ 11.209	€ 11.722	€ 12.374	€ 13.095	€ 13.619	€ 16.075	€ 16.589	€ 17.284	€ 17.922	€ 18.361	€ 18.980	€ 19.673	€ 20.373	€ 20.690	€ 23.716	€ 24.223	€ 24.731	€ 25.238	€ 25.931	€ 26.336	€ 26.960	€ 27.464	€ 1.773
	500 cm	€ 11.558	€ 12.084	€ 12.750	€ 13.484	€ 14.022	€ 16.605	€ 17.129	€ 17.838	€ 18.491	€ 18.939	€ 19.571	€ 20.276	€ 20.990	€ 21.318	€ 24.481	€ 25.001	€ 25.521	€ 26.037	€ 26.742	€ 27.160	€ 27.797	€ 28.313	€ 1.895
	550 cm	€ 12.167	€ 12.953	€ 13.683	€ 14.486	€ 15.090	€ 17.840	€ 18.615	€ 19.202	€ 20.109	€ 20.616	€ 21.310	€ 22.082	€ 22.861	€ 23.443	€ 26.573	€ 27.183	€ 27.957	€ 28.540	€ 29.310	€ 29.778	€ 30.478	€ 31.248	€ 2.017
	600 cm	€ 12.526	€ 13.327	€ 14.074	€ 14.887	€ 15.504	€ 18.383	€ 19.175	€ 19.774	€ 20.690	€ 21.206	€ 21.915	€ 22.699	€ 23.491	€ 24.085	€ 27.379	€ 27.975	€ 28.763	€ 29.357	€ 30.139	€ 30.618	€ 31.331	€ 32.111	€ 2.138
	650 cm	€ 12.877	€ 13.694	€ 14.452	€ 15.278	€ 15.911	€ 18.916	€ 19.720	€ 20.332	€ 21.260	€ 21.706	€ 22.422	€ 23.216	€ 24.011	€ 24.621	€ 28.149	€ 28.761	€ 29.463	€ 30.165	€ 30.960	€ 31.448	€ 32.173	€ 32.966	€ 2.260
	700 cm	€ 13.232	€ 14.058	€ 14.828	€ 15.672	€ 16.316	€ 19.452	€ 20.265	€ 20.895	€ 21.836	€ 22.286	€ 23.016	€ 23.824	€ 24.637	€ 25.253	€ 28.923	€ 29.542	€ 30.352	€ 30.972	€ 31.782	€ 32.277	€ 33.016	€ 33.821	€ 2.381
	750 cm	€ 13.586	€ 14.426	€ 15.209	€ 16.062	€ 16.719	€ 19.988	€ 20.816	€ 21.453	€ 22.410	€ 22.869	€ 23.608	€ 24.429	€ 25.253	€ 25.882	€ 29.695	€ 30.328	€ 31.151	€ 31.784	€ 32.603	€ 33.108	€ 33.859	€ 34.675	€ 2.503
	800 cm	€ 14.063	€ 14.923	€ 15.727	€ 16.598	€ 17.275	€ 20.704	€ 21.552	€ 22.205	€ 23.187	€ 23.658	€ 24.414	€ 25.254	€ 26.095	€ 26.748	€ 30.735	€ 31.386	€ 32.230	€ 32.882	€ 33.718	€ 34.242	€ 35.008	€ 35.847	€ 2.624
	850 cm	€ 16.569	€ 17.352	€ 18.345	€ 19.446	€ 20.242	€ 23.689	€ 24.466	€ 25.528	€ 26.498	€ 27.163	€ 28.047	€ 29.105	€ 30.172	€ 30.647	€ 34.949	€ 35.715	€ 36.485	€ 37.250	€ 38.308	€ 38.922	€ 39.872	€ 40.635	€ 2.746
	900 cm	€ 16.852	€ 17.645	€ 18.649	€ 19.761	€ 20.566	€ 24.114	€ 24.902	€ 25.974	€ 26.953	€ 27.628	€ 28.520	€ 29.589	€ 30.665	€ 31.147	€ 35.559	€ 36.334	€ 37.113	€ 37.889	€ 38.958	€ 39.577	€ 40.536	€ 41.309	€ 2.909
	950 cm	€ 17.131	€ 17.935	€ 18.950	€ 20.071	€ 20.886	€ 24.535	€ 25.330	€ 26.411	€ 27.405	€ 28.083	€ 28.986	€ 30.064	€ 31.154	€ 31.644	€ 36.162	€ 36.948	€ 37.736	€ 38.519	€ 39.598	€ 40.224	€ 41.196	€ 41.979	€ 2.987
1000 cm	€ 17.410	€ 18.223	€ 19.249	€ 20.378	€ 21.206	€ 24.956	€ 25.758	€ 26.850	€ 27.854	€ 28.540	€ 29.452	€ 30.539	€ 31.642	€ 32.138	€ 36.764	€ 37.560	€ 38.358	€ 39.148	€ 40.237	€ 40.874	€ 41.854	€ 42.646	€ 3.108	
1050 cm	€ 17.687	€ 18.513	€ 19.547	€ 20.688	€ 21.525	€ 25.375	€ 26.186	€ 27.288	€ 28.304	€ 28.995	€ 29.918	€ 31.016	€ 32.131	€ 32.635	€ 37.365	€ 38.171	€ 38.981	€ 39.778	€ 40.877	€ 41.523	€ 42.513	€ 43.315	€ 3.230	
1100 cm	€ 17.966	€ 18.800	€ 19.846	€ 20.997	€ 21.845	€ 25.796	€ 26.613	€ 27.727	€ 28.756	€ 29.450	€ 30.384	€ 31.491	€ 32.619	€ 33.130	€ 37.968	€ 38.785	€ 39.602	€ 40.408	€ 41.516	€ 42.173	€ 43.171	€ 43.985	€ 3.350	
1150 cm	€ 18.245	€ 19.090	€ 20.145	€ 21.307	€ 22.163	€ 26.217	€ 27.041	€ 28.164	€ 29.206	€ 29.907	€ 30.850	€ 31.967	€ 33.106	€ 33.626	€ 38.571	€ 39.397	€ 40.224	€ 41.038	€ 42.155	€ 42.822	€ 43.832	€ 44.654	€ 3.473	
1200 cm	€ 18.523	€ 19.378	€ 20.443	€ 21.616	€ 22.484	€ 26.636	€ 27.469	€ 28.601	€ 29.655	€ 30.363	€ 31.316	€ 32.442	€ 33.596	€ 34.121	€ 39.174	€ 40.008	€ 40.847	€ 41.667	€ 42.795	€ 43.470	€ 44.490	€ 45.322	€ 3.592	

G22	€ 244	€ 252	€ 274	€ 303	€ 331	€ 353	€ 380	€ 404	€ 430	€ 454	€ 584	€ 610	€ 637	€ 659	€ 688	€ 714	€ 738	€ 764	€ 788	€ 815	€ 839	€ 865
FS5-A	€ 43	€ 54	€ 64	€ 73	€ 84	€ 93	€ 105	€ 114	€ 125	€ 135	€ 146	€ 155	€ 166	€ 176	€ 187	€ 196	€ 208	€ 217	€ 228	€ 237	€ 249	€ 258
FS5-E	€ 59	€ 75	€ 88	€ 100	€ 116	€ 129	€ 144	€ 157	€ 173	€ 185	€ 201	€ 214	€ 229	€ 242	€ 257	€ 270	€ 286	€ 299	€ 314	€ 327	€ 342	€ 355

G22	L1600 Gutter system (One side)	LED TYPE & MODULE		
		2 LED	3 LED	4 LED
FS5-A	Additional Fabric Support Profile (Standard)	FS8		
FS4-L1600 (R97)	Additional Rail - Al. 110x160mm	FS8-S	SPOT	€ 132
FS8	Lighting System	FS8-L	LINEAR	€ 189
		FS8-LR	LINEAR (RGB)	€ 240
				€ 311

Notes:

1. FS Flexy Plain/3D or Stam 6002 is included in the price.
2. Motor and Remote control is included in the price.
3. Palmiye Aluminium Coating Catalogue includes the standard colours with no extra cost. For any other type/brand/color of paint, price difference and additional delivery duration shall be checked from your customer representative.
4. Standard "Fabric support profile plastic colors" are specified in our Aluminium coating catalogue.

DEDUCTIONS

Price deduction is applicable only for back pillars and back beam. Deduction amount shall be consider as 70% of related option price.

OPTIONS

FS10-L1600 (ALM-16)	Extra pillar (100x160mm Al.) for L1600 series	€ 352	pcs
FS10	Extra pillar (100x100mm Al.)	€ 525	pcs
FS10-ST3	Extra pillar (100x100x3mm St.)	€ 653	pcs
FS10-ST5	Extra pillar (100x100x5mm St.)	€ 951	pcs
FS11	Deco ceiling cover	€ 73	m ²
FS13-A	Wavy ceiling cover (for flexy fabric) (up to 350 cm width)	€ 37	m ²
FS15	Side beam pillar (50x100mm - Al)	€ 272	pcs
FS15-L1600 (ALM-11)	Side beam pillar (100x100mm - Al) for L1600 series	€ 345	pcs
FS19	Fix louver	€ 72	lm
FS23	External Square Downpipe	€ 321	pcs
FS24	W96 Ceiling Cover	€ 84	m ²
FS26	Exclusive fabric difference (up to 800cm width)	€ 49	m ²
FS28-1	Stainless steel chain - 100 cm	€ 76	1m
FS28-2	Stainless steel chain - 200 cm	€ 149	2m
FS28-3	Stainless steel chain - 300 cm	€ 223	3m
FS28-4	Stainless steel chain - 400 cm	€ 297	4m
FS29-1	Sun Sensor (SUNIS) (for single motor)	€ 607	pcs
FS29-1S	Sun Sensor (SUNIS) (for synchronized motor)	€ 962	pcs
FS29-2	Wind Sensor (EOLIS RTS) (for single motor)	€ 284	pcs
FS29-2S	Wind Sensor (EOLIS RTS) (for synchronized motor)	€ 639	pcs
FS29-3	Sun and Wind Sensor (SOLIRIS RTS) (for single motor)	€ 322	pcs
FS29-3S	Sun and Wind Sensor (SOLIRIS RTS) (for synchronized motor)	€ 676	pcs
FS29-4	* Rain Sensor (ONDEIS) (for single motor)	€ 558	pcs
FS29-4S	* Rain Sensor (ONDEIS) (for synchronized motor)	€ 912	pcs
FS30	CONNEXOON	€ 510	pcs
FS10-150ST5-H	Extra half pillar (150x150x5mm St.)	€ 205	pcs
FS10-150ST3	Extra pillar (150x150x3mm St.)	€ 1.217	pcs
FS10-150ST5	Extra pillar (150x150x5mm St.)	€ 1.702	pcs

EXTENSIONS

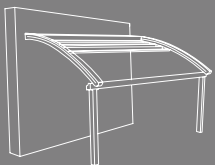
L1600 Rail - 110x160mm	€ 262	lm
Beam Profile (St. 150x150x3mm)	€ 427	lm
Beam Profile (St. 150x150x5mm)	€ 599	lm
Fabric protection cover (Al. - 63x__cm)	€ 59	m ²
L1600 Gutter	€ 102	lm

PRICE DIFFERENCE

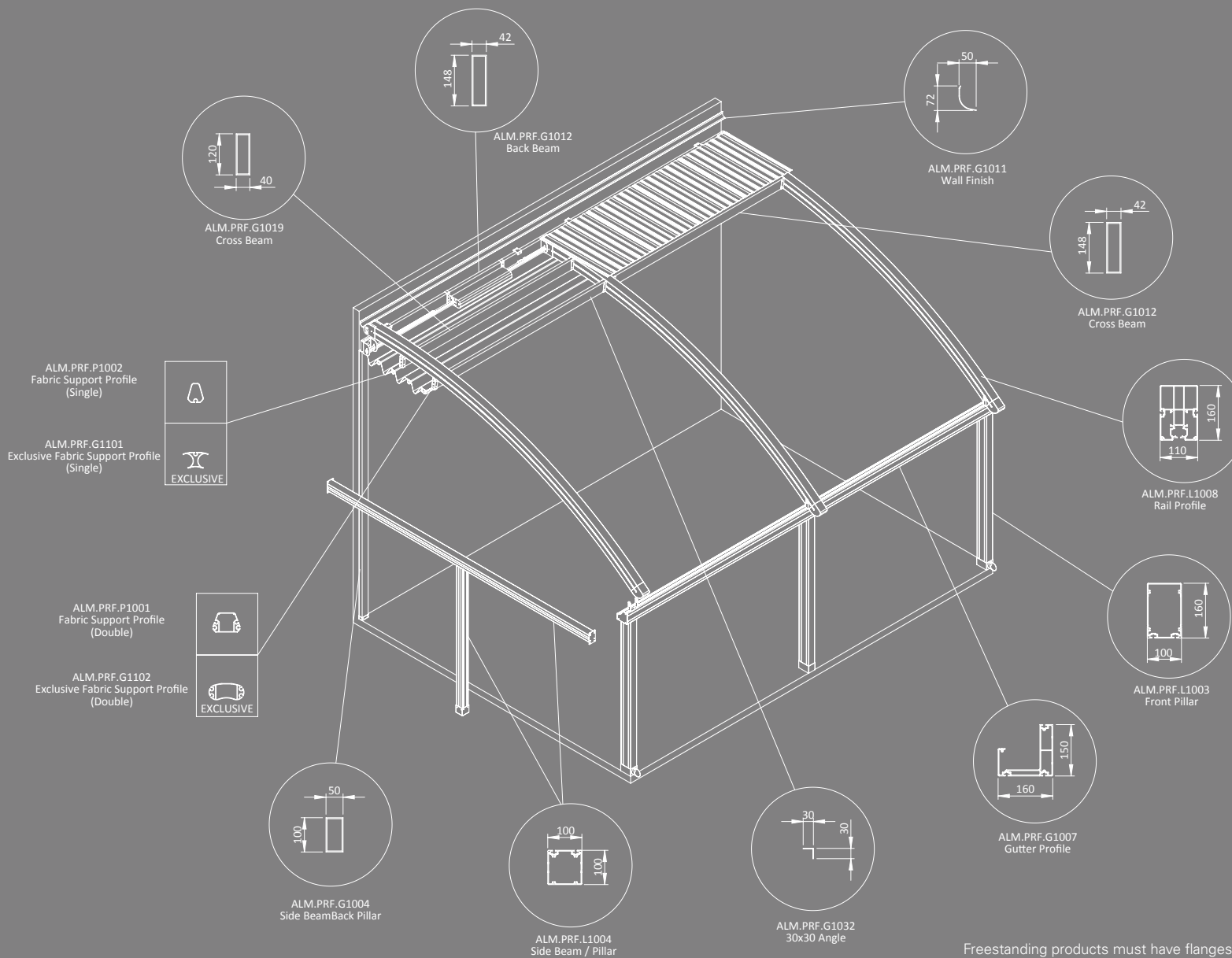
		BEAM GROUP	
		Standard	St. 150x150x3mm
Beam	to	St. 150x150x5mm	€ 88 lm
		PILLAR GROUP	
		Standard	St. 150x150x3mm
Pillar	to	St. 150x150x5mm	€ 520 pcs

Notes:

1. Fabric support profiles can be painted in the same color as the general construction. No fee is paid for this process. However, the plastic color should be specified from our standard plastic colours in Palmiye Color Chart.
2. For one product, a dry contact transmitter costing 370€, must be added.
3. Up to 5 products, a RS485 Automation interface dry contact transmitter costing 1126€, must be added.
4. The prices in the main table are for wall mounted products. This model also can be made as freestanding. For freestanding applications "FS10-150ST3" or "FS10-150ST5" pillar options and "St. 150x150x3mm" or "St. 150x150x5mm" back beam options should be added to the main prices.



STANDING SYSTEM WITH FRONT PILLAR



Freestanding products must have flanges on the pillars.

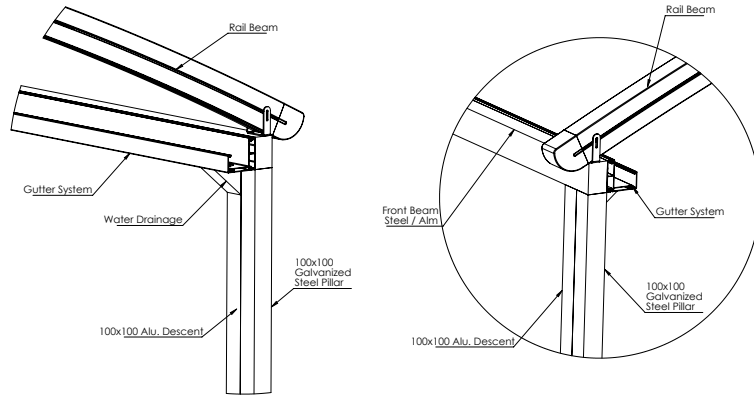
TECHNICAL DETAILS

WATER DRAIN&GUTTER CALCULATION

PRODUCT TYPE	MAX. M ²	USED PRODUCT TYPE
WATER DRAINAGE 45	34m ²	1200 Series Standard
WATER DRAINAGE 65	42m ²	Standard

*There should be at least one drainage, each 8 m length gutter.

APPLICATION FORM IN STEEL FRONT BEAM AND DEVICE



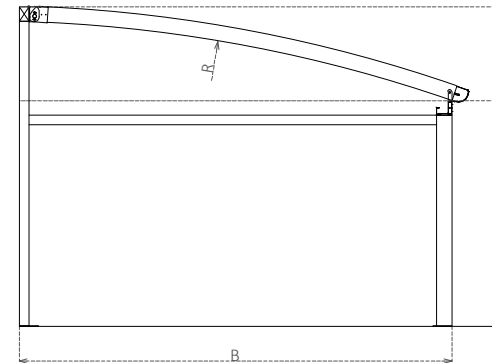
* In use of aluminum front pillar of 100*100 and front beam of 100*150 water drain, is applied from the available pillar. No external descent is applied.

RADIUS CHART

RADIUS	850	1500	2850
--------	-----	------	------

Projection	A		
250	63		
300	83		
350	107		
400	135	82	
450	168	98	
500		116	
550		137	
600		160	93
650		184	106
700			119
750			133

*The values are approx. ± 5 cm



BACK BEAM PROFILE TYPE (INCLUDED IN PERGOLA PRICE)

		PRODUCT WIDTH						
		FROM 200CM TO 1300CM						
PROJECTION	200	E	E	E	E	E	E	E
	300	E	E	E	E	E	E	E
	450	E	E	E	E	E	E	E
	600	E	E	E	E	E	E	E
	750	E	E	E	E	E	E	E
	BACK BEAM	E	42*150 ALU					

* Utilization table of back beam is included in the list price.

FRONT PILLAR REDUCTION CONDITIONS

		OUT TO OUT PILLAR SIZE						
		450	500	600	700	750	800	900
PROJECTION	200	A	A	B	B	C	C	C
	300	A	A	B	B	C	C	C
	400	A	A	B	B	C	C	C
	500	A	A	B	B	C	C	C
	600	A	A	B	B	C	C	C
	700	A	A	B	B	C	C	C
	750	A	A	B	B	C	C	C
	F PILLAR F BEAM	A	100*100 ALU 100*150 ALU	B	100*100*3 G.S 100*150*3 G.S	C	100*100*5 G.S 100*200*5 G.S	

* The front pillar reduction use table should be additionally priced.

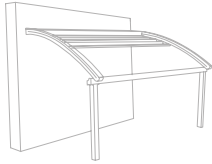
* Ground mounting is performed with flange of 200*200*10 mm or ground anchor of standard 1600 series 110*160.

* Application is made behind the gutter system.

* Maximum height is 400 cm for aluminum front pillars.

* Maximum height is 500 cm for steel front pillars.

* If front pillar and beam is made of steel, water drain is given from empty aluminum box profile of 100*100.



STANDING SYSTEM WITH FRONT PILLAR

WIDTH

PROJECTION	2 RAIL				3 RAIL								4 RAIL								5 RAIL				FS4-L1600 (R97)	FS9-L1600 (Y64)	FS9
	250 cm	300 cm	350 cm	400 cm	450 cm	500 cm	550 cm	600 cm	650 cm	700 cm	750 cm	800 cm	850 cm	900 cm	950 cm	1000 cm	1050 cm	1100 cm	1150 cm	1200 cm	1250 cm	1300 cm					
200 cm	€ 6.784	€ 7.114	€ 7.586	€ 8.069	€ 9.167	€ 9.508	€ 9.844	€ 10.177	€ 10.769	€ 11.059	€ 11.493	€ 11.824	€ 13.315	€ 13.648	€ 13.982	€ 14.310	€ 14.643	€ 14.974	€ 15.305	€ 15.573	€ 16.001	€ 16.489	€ 1.168	€ 240	€ 236		
250 cm	€ 7.072	€ 7.574	€ 8.034	€ 8.390	€ 9.590	€ 9.943	€ 10.445	€ 10.787	€ 11.235	€ 11.534	€ 11.978	€ 12.477	€ 14.236	€ 14.420	€ 14.606	€ 14.945	€ 15.443	€ 15.782	€ 16.124	€ 16.398	€ 16.839	€ 17.336	€ 1.289	€ 287	€ 284		
300 cm	€ 7.579	€ 8.138	€ 8.652	€ 9.066	€ 10.405	€ 11.369	€ 11.768	€ 12.270	€ 12.616	€ 13.118	€ 13.668	€ 15.577	€ 15.816	€ 16.058	€ 16.454	€ 17.006	€ 17.399	€ 17.796	€ 18.118	€ 18.611	€ 19.160	€ 1.411	€ 337	€ 333			
350 cm	€ 8.038	€ 8.446	€ 8.972	€ 9.556	€ 10.995	€ 11.416	€ 11.827	€ 12.390	€ 12.906	€ 13.258	€ 13.771	€ 14.335	€ 16.523	€ 16.766	€ 17.010	€ 17.416	€ 17.824	€ 18.227	€ 18.788	€ 19.118	€ 19.622	€ 20.025	€ 1.530	€ 386	€ 381		
400 cm	€ 8.338	€ 8.757	€ 9.293	€ 9.889	€ 11.433	€ 11.864	€ 12.287	€ 12.861	€ 13.385	€ 13.748	€ 14.271	€ 14.842	€ 17.131	€ 17.392	€ 17.654	€ 18.071	€ 18.489	€ 18.903	€ 19.476	€ 19.811	€ 20.327	€ 20.740	€ 1.652	€ 435	€ 430		
450 cm	€ 8.645	€ 9.074	€ 9.623	€ 10.229	€ 11.883	€ 12.324	€ 12.758	€ 13.343	€ 13.877	€ 14.248	€ 14.781	€ 15.365	€ 17.772	€ 18.041	€ 18.312	€ 18.738	€ 19.165	€ 19.592	€ 20.176	€ 20.516	€ 21.042	€ 21.466	€ 1.773	€ 486	€ 479		
500 cm	€ 8.948	€ 9.389	€ 9.948	€ 10.565	€ 12.326	€ 12.779	€ 13.220	€ 13.816	€ 14.363	€ 14.741	€ 15.285	€ 15.879	€ 18.406	€ 18.682	€ 18.962	€ 19.398	€ 19.835	€ 20.271	€ 20.863	€ 21.216	€ 21.753	€ 22.187	€ 1.895	€ 535	€ 527		
550 cm	€ 9.467	€ 10.125	€ 10.738	€ 11.414	€ 13.312	€ 13.821	€ 14.472	€ 14.967	€ 15.726	€ 16.153	€ 16.751	€ 17.400	€ 19.740	€ 20.228	€ 20.721	€ 21.235	€ 21.883	€ 22.374	€ 23.020	€ 23.416	€ 24.005	€ 24.651	€ 2.017	€ 583	€ 576		
600 cm	€ 9.780	€ 10.448	€ 11.077	€ 11.759	€ 13.765	€ 14.285	€ 14.950	€ 15.455	€ 16.223	€ 16.659	€ 17.267	€ 17.927	€ 20.403	€ 20.903	€ 21.405	€ 21.907	€ 22.567	€ 23.067	€ 23.726	€ 24.129	€ 24.728	€ 25.384	€ 2.138	€ 632	€ 625		
650 cm	€ 10.084	€ 10.766	€ 11.402	€ 12.096	€ 14.208	€ 14.741	€ 15.417	€ 15.933	€ 16.711	€ 17.088	€ 17.701	€ 18.369	€ 21.030	€ 21.544	€ 22.060	€ 22.574	€ 23.163	€ 23.753	€ 24.422	€ 24.832	€ 25.441	€ 26.110	€ 2.260	€ 683	€ 673		
700 cm	€ 10.391	€ 11.082	€ 11.728	€ 12.437	€ 14.660	€ 15.200	€ 15.884	€ 16.414	€ 17.202	€ 17.583	€ 18.210	€ 18.889	€ 21.681	€ 22.199	€ 22.717	€ 23.239	€ 23.917	€ 24.439	€ 25.120	€ 25.537	€ 26.159	€ 26.834	€ 2.381	€ 732	€ 722		
750 cm	€ 10.698	€ 11.400	€ 12.058	€ 12.774	€ 15.108	€ 15.660	€ 16.355	€ 16.892	€ 17.694	€ 18.081	€ 18.715	€ 19.405	€ 22.312	€ 22.842	€ 23.373	€ 23.906	€ 24.596	€ 25.129	€ 25.817	€ 26.244	€ 26.874	€ 2.503		€ 1.043	included side beam pillar		
FS5-A	€ 43	€ 54	€ 64	€ 73	€ 84	€ 93	€ 105	€ 114	€ 125	€ 135	€ 146	€ 155	€ 166	€ 176	€ 187	€ 196	€ 208	€ 217	€ 228	€ 237	€ 249	€ 258					
FS5-E	€ 59	€ 75	€ 88	€ 100	€ 116	€ 129	€ 144	€ 157	€ 173	€ 185	€ 201	€ 214	€ 229	€ 242	€ 257	€ 270	€ 286	€ 299	€ 314	€ 327	€ 342	€ 355					

FS5-A	Additional Fabric Support Profile (Standard)
FS4-L1600 (R97)	Additional Rail - Al. 110x160mm
FS9-L1600 (Y64)	Side Beam - Al. 100x100mm
FS9	Side Beam - Al. 50x150mm
FS8	Lighting System

LED TYPE & MODULE			
	2 LED	3 LED	4 LED
FS8	€ 132	€ 160	€ 189
FS8-S	SPOT		
FS8-L	LINEAR		
FS8-LR	LINEAR (RGB)	€ 240	€ 311

Notes:

- Any Side Beam is not included in the price.
- If side beam used and projection is bigger than 700 cm, a side beam pillar also needs to be added up to the rail. Price is included in FS9 side beam option price.
- FS Flexy Plain/3D or Stam 6002 is included in the price.
- Motor and Remote control is included in the price.
- Palmye Aluminium Coating Catalogue includes the standard colours with no extra cost. For any other type/brand/color of paint, price difference and additional delivery duration shall be checked from your customer representative.
- Standard "Fabric support profile plastic colors" are specified in our Aluminium coating catalogue.

DEDUCTIONS

Price deduction is applicable only for pillars and beam. Deduction amount shall be consider as 70% of related option price.

OPTIONS

FS10-L1600 (ALM-16)	Extra pillar (100x160mm Al.) for L1600 series	€ 352	pcs
FS10	Extra pillar (100x100mm Al.)	€ 525	pcs
FS10-ST3	Extra pillar (100x100x3mm St.)	€ 653	pcs
FS10-ST5	Extra pillar (100x100x5mm St.)	€ 951	pcs
FS11	Deco ceiling cover	€ 73	m ²
FS13-A	Wavy ceiling cover (for flexy fabric) (up to 350 cm width)	€ 37	m ²
FS15	Side beam pillar (50x100mm- Al)	€ 272	pcs
FS15-L1600 (ALM-11)	Side beam pillar (100x100mm- Al) for L1600 series	€ 345	pcs
FS19	Fix louver	€ 72	lm
FS23	External Square Downpipe	€ 321	pcs
FS24	W96 Ceiling Cover	€ 84	m ²
FS26	Exclusive fabric difference (up to 800cm width)	€ 49	m ²
FS29-1	Sun Sensor (SUNIS) (for single motor)	€ 607	pcs
FS29-1S	Sun Sensor (SUNIS) (for synchronized motor)	€ 962	pcs
FS29-2	Wind Sensor (EOLIS RTS) (for single motor)	€ 284	pcs
FS29-2S	Wind Sensor (EOLIS RTS) (for synchronized motor)	€ 639	pcs
FS29-3	Sun and Wind Sensor (SOLIRIS RTS) (for single motor)	€ 322	pcs
FS29-3S	Sun and Wind Sensor (SOLIRIS RTS) (for synchronized motor)	€ 676	pcs
FS29-4	* Rain Sensor (ONDEIS) (for single motor)	€ 558	pcs
FS29-4S	* Rain Sensor (ONDEIS) (for synchronized motor)	€ 912	pcs
FS30	CONNEXOON	€ 510	pcs

EXTENSIONS

L1600 Rail - 110x160mm	€ 262	lm
Beam Profile (Al. 42x150mm)	€ 102	lm
Beam Profile (Al. 50x150mm)	€ 180	lm
Beam Profile (Al. 100x150mm)	€ 150	lm
Beam Profile (St. 100x150x3mm)	€ 311	lm
Beam Profile (St. 100x150x5mm)	€ 377	lm
Beam Profile (St. 100x200x3mm)	€ 315	lm
Beam Profile (St. 100x200x5mm)	€ 448	lm
Fabric protection cover (Al. - 63x__cm)	€ 59	m ²
L1600 Gutter	€ 102	lm

*Max. Al. Front pillar (Al. 100x160mm) height is 280cm.
 *Max. St 3mm. Front pillar (St. 100x100x3mm) height is 380cm.
 *Max. St. 5mm Front pillar (St. 100x100x5mm) height is 480cm.

PRICE DIFFERENCE

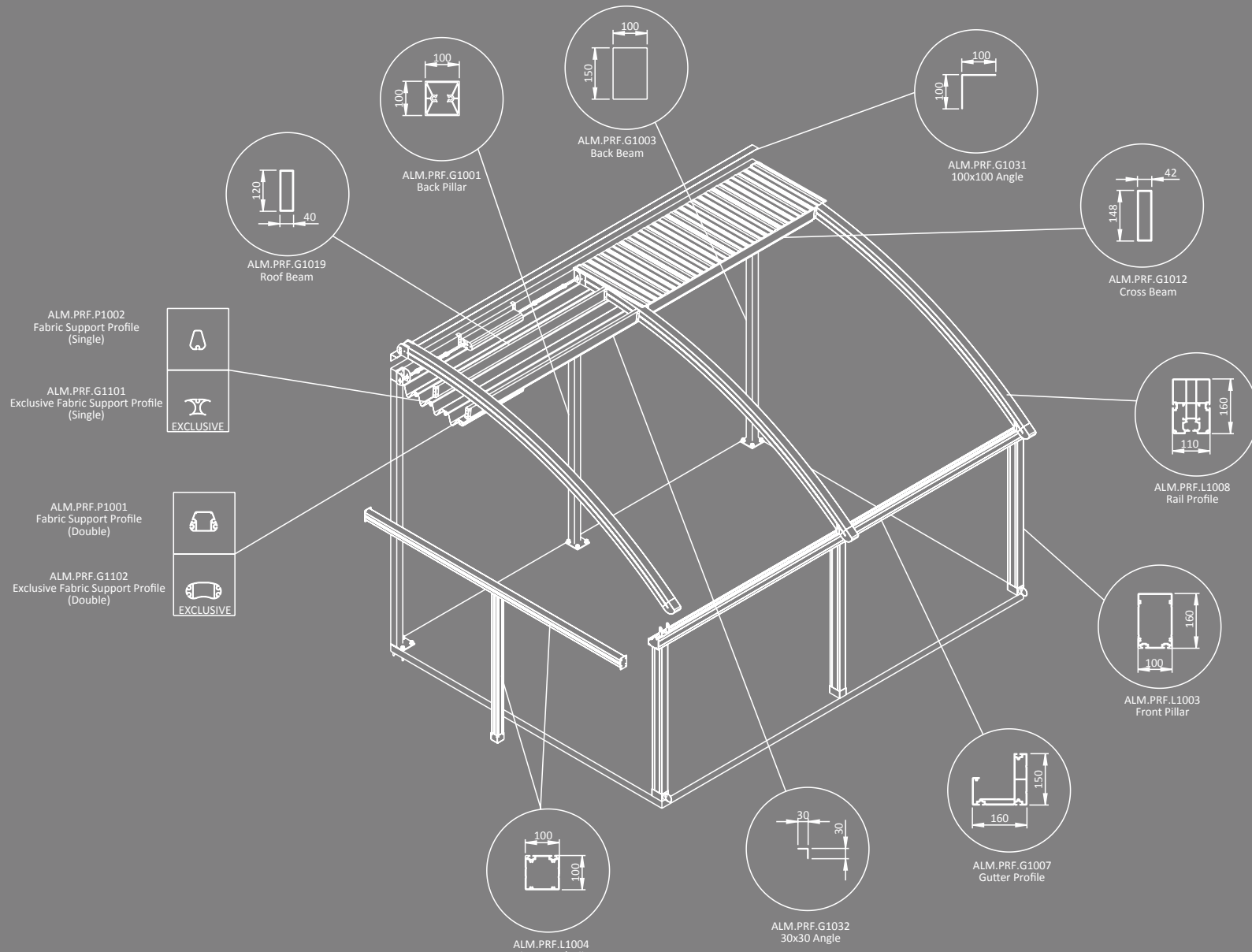
		BEAM GROUP					
Standard		Al. 42x150mm					
Back Beam	to	Al. 50x150mm	€ 78	lm			
		St. 50x150x3mm	€ 101	lm			
		St. 50x150x5mm	€ 187	lm			
		Al. 100x150mm	€ 47	lm			
		St. 100x150x3mm	€ 204	lm			
		St. 100x150x5mm	€ 277	lm			
		St. 100x200x3mm	€ 209	lm			
		St. 100x200x5mm	€ 349	lm			
				PILLAR GROUP			
		Standard		Al. 100x160mm			
Front Pillar	to	Al. 100x100mm	€ 173	pcs			
		St. 100x100x3mm	€ 191	pcs			
		St. 100x100x5mm	€ 497	pcs			
		St. 150x150x3mm	€ 765	pcs			
		St. 150x150x5mm	€ 1.252	pcs			

Notes:

1. Fabric support profiles can be painted in the same color as the general construction. No fee is paid for this process. However, the plastic color should be specified from our standard plastic colours in Palmiye Colour Chart.
2. For one product, a dry contact transmitter costing 370€, must be added.
3. Up to 5 products, a RS485 Automation interface dry contact transmitter costing 1126€, must be added.



STANDING SYSTEM WITH FRONT AND BACK PILLAR



Freestanding products must have flanges on the pillars.

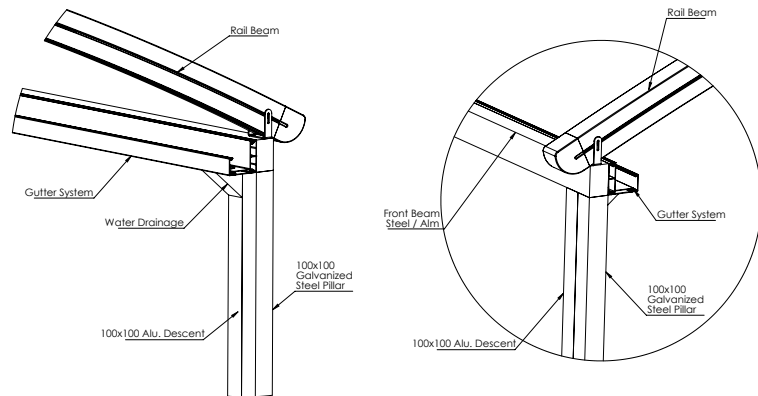
TECHNICAL DETAILS

WATER DRAIN&GUTTER CALCULATION

PRODUCT TYPE	MAX. M ²	USED PRODUCT TYPE
WATER DRAINAGE 45	34m ²	1200 Series Standard
WATER DRAINAGE 65	42m ²	Standard

*There should be at least one drainage, each 8 m length gutter.

APPLICATION FORM IN STEEL FRONT BEAM AND DEVICE

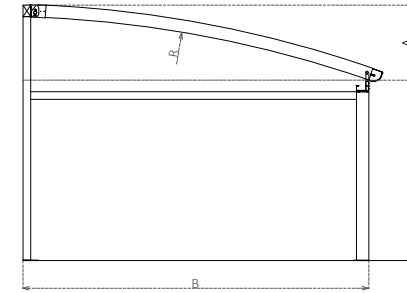


* In use of aluminum front pillar of 100*100 and front beam of 100*150 water drain, is applied from the available pillar. No external descent is applied.

RADIUS CHART

RADIUS	850	1500	2850
Projection	A		
250	63		
300	83		
350	107		
400	135	82	
450	168	98	
500		116	
550		137	
600		160	93
650		184	106
700			119
750			133

*The values are approx. ± 5 cm



USE OF BACK PILLAR AND BACK BEAM (STANDARD)

PROJECTION	PRODUCT WIDTH																				
	450	500	550	600	650	700	750	800	850	900	950	1000	1050	1100	1150	1200	1250	1300			
400	A	A	A	A	A	A	A	A	A	A	A	A	A	A	A	A	A	A			
450	A	A	A	A	A	A	A	A	A	A	A	A	A	A	A	A	A	A			
500	A	A	A	A	A	A	A	A	A	A	A	A	A	A	A	A	A	A			
550	A	A	A	A	A	A	A	A	A	A	A	A	A	A	A	A	A	A			
600	A	A	A	A	A	A	A	A	A	A	A	A	A	A	A	A	A	A			
650	A	A	A	A	A	A	A	A	A	A	A	A	A	A	A	A	A	A			
700	A	A	A	A	A	A	A	A	A	A	A	A	A	A	A	A	A	A			
750	A	A	A	A	A	A	A	A	A	A	A	A	A	A	A	A	A	A			
	GROUND FLANGE BACK PILLAR BACK BEAM			A	200*200*10 FLANGE ALU				B											200*200*10 FLANGE G.S	
					100*100 ALU															100*100*3MM G.S	
					100*150 ALU															100*150*3MM G.S	

* Utilization table of back beam and back pillar is included in the list price.

TERMS OF USE OF FRONT PILLAR AND BEAM

PROJECTION	OUT TO OUT PILLAR SIZE					
	450	550	600	650	700	
400	A	A	B	B	C	
450	A	A	B	B	C	
500	A	A	B	C	C	
550	A	B	B	C	C	
600	A	B	B	C	C	
650	A	B	C	C	C	
700	A	B	C	C	C	
F. PILLAR F. BEAM	A	100*100 ALU 100*150 ALU	B	100*100*3 G.S 100*150*3 G.S	C	100*100*5 G.S 100*200*5 G.S

- * Use of front pillar and beam should be additionally priced.
- * Ground mounting of the pillar is performed with flange of 200*200*10 mm or ground anchor.
- * Application is made behind the gutter system.
- * Maximum height is 4m for aluminum front pillars and 5m for steel front pillars.
- * If front pillar and beam is made of steel, water drain is given from empty aluminum box profile of 100*100.

TERMS OF USE OF BACK PILLAR AND BACK BEAM

PROJECTION	OUT TO OUT PILLAR SIZE							
	450	500	550	600	700	750	800	900
400	A	A	A	B	B	C	C	C
450	A	A	B	B	B	C	C	C
500	A	B	B	B	B	C	C	C
550	A	B	B	B	B	C	C	C
600	A	B	B	B	B	C	C	C
650	A	B	B	B	B	C	C	C
700	A	B	B	B	B	C	C	C
BACK PILLAR BACK BEAM	A	100*100 ALU 100*150 ALU	B	100*100*3 G.S 100*150*3 G.S	C	100*100*5 G.S 100*200*5 G.S		

- * Use of back pillar and beam should be additionally priced.
- * Floor mounting of the pillar is performed with flange of 200*200*10 mm or ground anchor.
- * Maximum height is 4m for aluminum back pillars and 5m for steel back pillars.



STANDING SYSTEM WITH FRONT AND BACK PILLAR

WIDTH

PROJECTION	2 RAIL				3 RAIL								4 RAIL						5 RAIL		FS4-L1600 (R97)	FS9		
	250 cm	300 cm	350 cm	400 cm	450 cm	500 cm	550 cm	600 cm	650 cm	700 cm	750 cm	800 cm	850 cm	900 cm	950 cm	1000 cm	1050 cm	1100 cm	1150 cm	1200 cm	1250 cm	1300 cm		
200 cm	€ 7948	€ 8.293	€ 8.778	€ 9.275	€ 10.700	€ 11.056	€ 11.406	€ 11.753	€ 12.359	€ 12.661	€ 13.111	€ 13.455	€ 15.275	€ 15.621	€ 15.970	€ 16.312	€ 16.657	€ 17.001	€ 17.347	€ 17.628	€ 18.384	€ 18.887	€ 1.168	€ 236
250 cm	€ 8.328	€ 8.844	€ 9.318	€ 9.688	€ 11.216	€ 11.583	€ 12.098	€ 12.454	€ 12.916	€ 13.227	€ 13.687	€ 14.198	€ 16.287	€ 16.485	€ 16.685	€ 17.038	€ 17.550	€ 17.903	€ 18.259	€ 18.547	€ 19.316	€ 19.827	€ 1.289	€ 284
300 cm	€ 8.933	€ 9.506	€ 10.034	€ 10.462	€ 12.129	€ 12.551	€ 13.121	€ 13.534	€ 14.050	€ 14.409	€ 14.925	€ 15.489	€ 17.726	€ 17.980	€ 18.235	€ 18.643	€ 19.211	€ 19.618	€ 20.029	€ 20.363	€ 21.184	€ 21.749	€ 1.411	€ 333
350 cm	€ 9.487	€ 9.909	€ 10.449	€ 11.046	€ 12.814	€ 13.249	€ 13.674	€ 14.251	€ 14.780	€ 15.147	€ 15.671	€ 16.250	€ 18.768	€ 19.023	€ 19.282	€ 19.701	€ 20.123	€ 20.539	€ 21.116	€ 21.458	€ 22.292	€ 22.709	€ 1.530	€ 381
400 cm	€ 9.882	€ 10.315	€ 10.865	€ 11.475	€ 13.347	€ 13.793	€ 14.229	€ 14.816	€ 15.355	€ 15.732	€ 16.268	€ 16.854	€ 19.471	€ 19.745	€ 20.021	€ 20.450	€ 20.883	€ 21.310	€ 21.897	€ 22.248	€ 23.090	€ 23.519	€ 1.652	€ 430
450 cm	€ 10.288	€ 10.731	€ 11.294	€ 11.914	€ 13.895	€ 14.350	€ 14.798	€ 15.396	€ 15.945	€ 16.330	€ 16.877	€ 17.475	€ 20.210	€ 20.493	€ 20.776	€ 21.217	€ 21.658	€ 22.098	€ 22.695	€ 23.051	€ 23.904	€ 24.343	€ 1.773	€ 479
500 cm	€ 10.685	€ 11.140	€ 11.713	€ 12.344	€ 14.433	€ 14.900	€ 15.355	€ 15.965	€ 16.526	€ 16.918	€ 17.476	€ 18.082	€ 20.939	€ 21.229	€ 21.521	€ 21.972	€ 22.424	€ 22.872	€ 23.480	€ 23.846	€ 24.709	€ 25.159	€ 1.895	€ 527
550 cm	€ 11.300	€ 11.972	€ 12.599	€ 13.288	€ 15.515	€ 16.037	€ 16.703	€ 17.211	€ 17.984	€ 18.425	€ 19.037	€ 19.700	€ 22.366	€ 22.870	€ 23.375	€ 23.903	€ 24.567	€ 25.070	€ 25.732	€ 26.140	€ 27.057	€ 27.719	€ 2.017	€ 576
600 cm	€ 11.707	€ 12.390	€ 13.032	€ 13.729	€ 16.063	€ 16.596	€ 17.275	€ 17.795	€ 18.576	€ 19.026	€ 19.648	€ 20.321	€ 23.126	€ 23.640	€ 24.156	€ 24.672	€ 25.344	€ 25.860	€ 26.530	€ 26.947	€ 27.875	€ 28.547	€ 2.138	€ 625
650 cm	€ 12.109	€ 12.806	€ 13.455	€ 14.164	€ 16.604	€ 17.151	€ 17.841	€ 18.370	€ 19.162	€ 19.553	€ 20.180	€ 20.863	€ 23.851	€ 24.379	€ 24.909	€ 25.437	€ 26.040	€ 26.644	€ 27.325	€ 27.750	€ 28.688	€ 29.369	€ 2.260	€ 673
700 cm	€ 12.512	€ 13.217	€ 13.877	€ 14.599	€ 17.151	€ 17.705	€ 18.403	€ 18.946	€ 19.749	€ 20.143	€ 20.784	€ 21.475	€ 24.598	€ 25.128	€ 25.661	€ 26.197	€ 26.889	€ 27.425	€ 28.120	€ 28.549	€ 29.501	€ 30.190	€ 2.381	€ 722
750 cm	€ 13.424	€ 14.139	€ 14.811	€ 15.541	€ 18.203	€ 18.769	€ 19.478	€ 20.029	€ 20.845	€ 21.244	€ 21.894	€ 22.597	€ 25.833	€ 26.376	€ 26.922	€ 27.469	€ 28.170	€ 28.718	€ 29.421	€ 29.860	€ 30.819		€ 2.503	€ 1.043 included side beam pillar

FS5-A	€ 43	€ 54	€ 64	€ 73	€ 84	€ 93	€ 105	€ 114	€ 125	€ 135	€ 146	€ 155	€ 166	€ 176	€ 187	€ 196	€ 208	€ 217	€ 228	€ 237	€ 249	€ 258
FS5-E	€ 59	€ 75	€ 88	€ 100	€ 116	€ 129	€ 144	€ 157	€ 173	€ 185	€ 201	€ 214	€ 229	€ 242	€ 257	€ 270	€ 286	€ 299	€ 314	€ 327	€ 342	€ 355

FS5-A	Additional Fabric Support Profile (Standard)
FS4-L1600 (R97)	Additional Rail - Al. 110x160mm
FS9	Side Beam - Al. 50x150mm
FS8	Lighting System

FS8	
FS8-S	SPOT
FS8-L	LINEAR
FS8-LR	LINEAR (RGB)

LED TYPE & MODULE		
2 LED	3 LED	4 LED
€ 132	€ 160	€ 189
€ 189	€ 245	
€ 240	€ 311	

Notes:

- FS9-L1600 (Y64) Side Beam is included in the price for right and left side as a standard. For other option which is FS9 (Al. 50x150mm) doesn't apply any charge. But, please define on your technical drawing.
- If the projection is bigger than 700cm, a side beam pillar needs to be added up to rail, FS15-L1600-side beam pillar (100x100mm -Al) for 1600 series, included in the product price.
- FS Flexy Plain/3D or Stam 6002 is included in the price.
- Motor and Remote control is included in the price.
- Palmiye Aluminium Coating Catalogue includes the standard colours with no extra cost. For any other type/brand/color of paint, price difference and additional delivery duration shall be checked from your customer representative.
- Standard "Fabric support profile plastic colors" are specified in our Aluminium coating catalogue.

DEDUCTIONS

Price deduction is applicable only for pillars and beam. Deduction amount shall be consider as 70% of related option price.

OPTIONS			
FS10-L1600 (ALM-16)	Extra pillar (100x160mm Al.) for L1600 series	€ 352	pcs
FS10	Extra pillar (100x100mm Al.)	€ 525	pcs
FS10-ST3	Extra pillar (100x100x3mm St.)	€ 653	pcs
FS10-ST5	Extra pillar (100x100x5mm St.)	€ 951	pcs
FS11	Deco ceiling cover	€ 73	m ²
FS13-A	Wavy ceiling cover (for flexy fabric) (up to 350 cm width)	€ 37	m ²
FS15	Side beam pillar (50x100mm- Al)	€ 272	pcs
FS15-L1600 (ALM-11)	Side beam pillar (100x100mm- Al) for L1600 series	€ 345	pcs
FS19	Fix louver	€ 72	lm
FS23	External Square Downpipe	€ 321	pcs
FS24	W96 Ceiling Cover	€ 84	m ²
FS26	Exclusive fabric difference (up to 800cm width)	€ 49	m ²
FS29-1	Sun Sensor (SUNIS) (for single motor)	€ 607	pcs
FS29-1S	Sun Sensor (SUNIS) (for synchronized motor)	€ 962	pcs
FS29-2	Wind Sensor (EOLIS RTS) (for single motor)	€ 284	pcs
FS29-2S	Wind Sensor (EOLIS RTS) (for synchronized motor)	€ 639	pcs
FS29-3	Sun and Wind Sensor (SOLIRIS RTS) (for single motor)	€ 322	pcs
FS29-3S	Sun and Wind Sensor (SOLIRIS RTS) (for synchronized motor)	€ 676	pcs
FS29-4	* Rain Sensor (ONDEIS) (for single motor)	€ 558	pcs
FS29-4S	* Rain Sensor (ONDEIS) (for synchronized motor)	€ 912	pcs
FS30	CONNEXOON	€ 510	pcs

EXTENSIONS		
L1600 Rail - 110x160mm	€ 262	lm
Beam Profile (Al. 100x150mm)	€ 150	lm
Beam Profile (St. 100x150x3mm)	€ 311	lm
Beam Profile (St. 100x150x5mm)	€ 377	lm
Beam Profile (St. 100x200x3mm)	€ 315	lm
Beam Profile (St. 100x200x5mm)	€ 448	lm
Fabric protection cover (Al. - 63x___cm)	€ 59	m ²
L1600 Gutter	€ 102	lm

*Max. Al. Front pillar (Al. 100x160mm) height is 280cm.

*Max. St 3mm. Front pillar (St. 100x100x3mm) height is 380cm.

*Max. St. 5mm Front pillar (St. 100x100x5mm) height is 480cm.

PRICE DIFFERENCE			
BEAM GROUP			
Back Beam	Standard	Al. 100x150mm	
	to	St. 100x150x3mm	€ 155 lm
		St. 100x150x5mm	€ 231 lm
		St. 100x200x3mm	€ 160 lm
		St. 100x200x5mm	€ 302 lm
PILLAR GROUP			
Front Pillar	Standard	Al. 100x160mm	
	to	Al. 100x100mm	€ 173 pcs
		St. 100x100x3mm	€ 191 pcs
		St. 100x100x5mm	€ 497 pcs
		St. 150x150x3mm	€ 765 pcs
St. 150x150x5mm	€ 1.252 pcs		
Back Pillar	Standard	Al. 100x100mm	
	to	St. 100x100x3mm	€ 108 pcs
		St. 100x100x5mm	€ 443 pcs
		St. 150x150x3mm	€ 677 pcs
		St. 150x150x5mm	€ 1.197 pcs

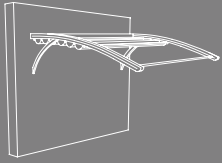
Notes:

1. Fabric support profiles can be painted in the same color as the general construction. No fee is paid for this process.

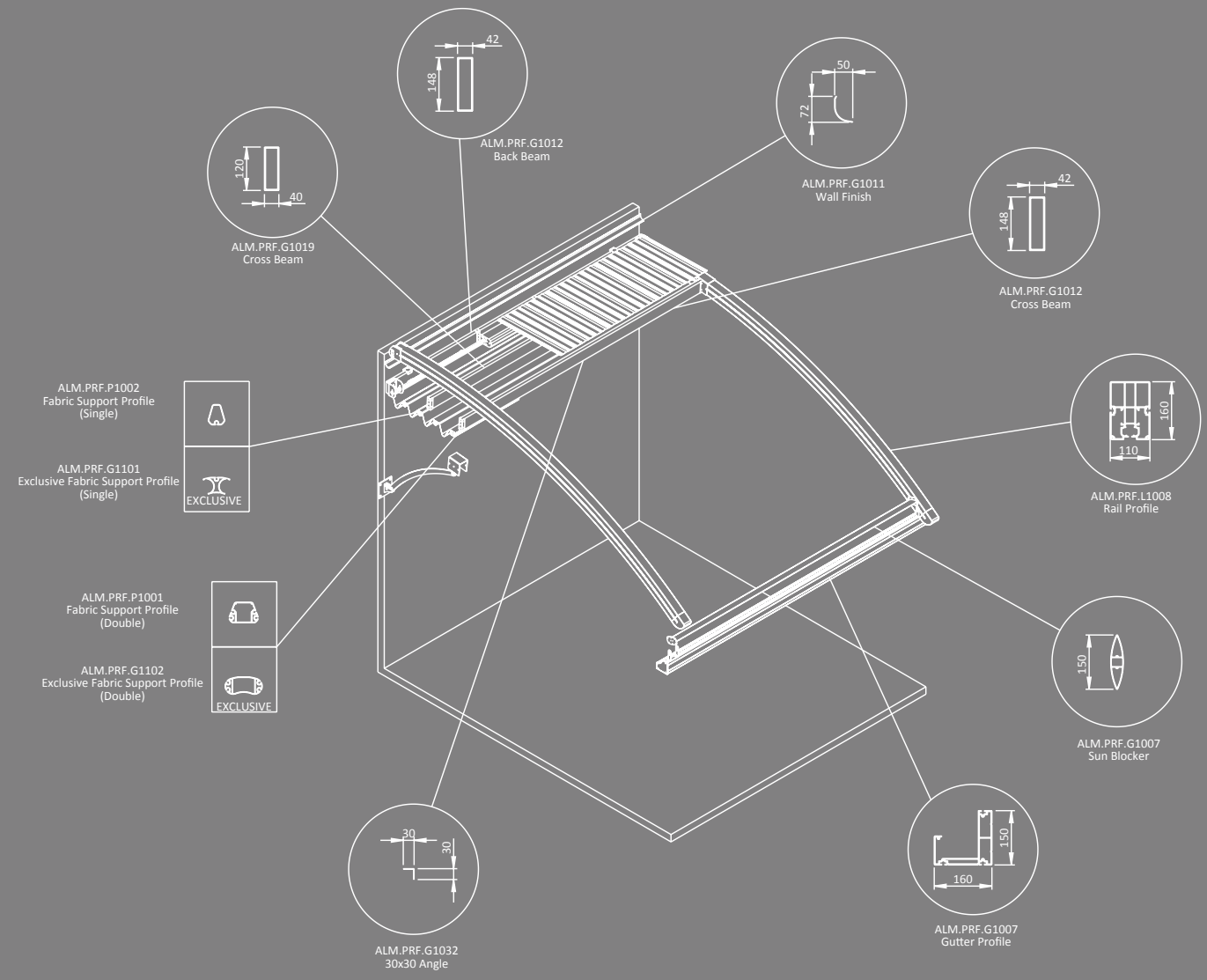
However, the plastic color should be specified from our standard plastic colours in Palmiye Color Chart.

2. For one product, a dry contact transmitter costing 370€, must be added.

3. Up to 5 products, a RS485 Automation interface dry contact transmitter costing 1126€, must be added.



BRACKET SYSTEM



TECHNICAL DETAILS

WATER DRAIN&GUTTER CALCULATION

PRODUCT TYPE	MAX. M ²	USED PRODUCT TYPE
WATER DRAINAGE 45	34m ²	1200 Series Standard
WATER DRAINAGE 65	42m ²	Standard

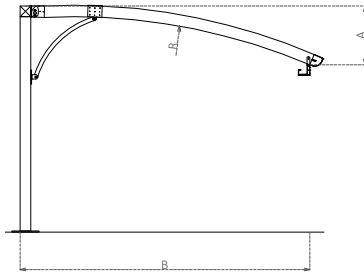
*There should be at least one drainage, each 8 m length gutter.

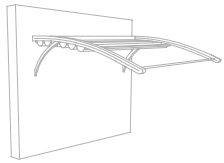
RADIUS CHART

RADIUS	R850	R1500
Projection		
250	63	
300	83	
350	107	
400	135	82

Projection	A		B
250	63		
300	83		
350	107		
400	135	82	

*The values are approx. ± 5 cm

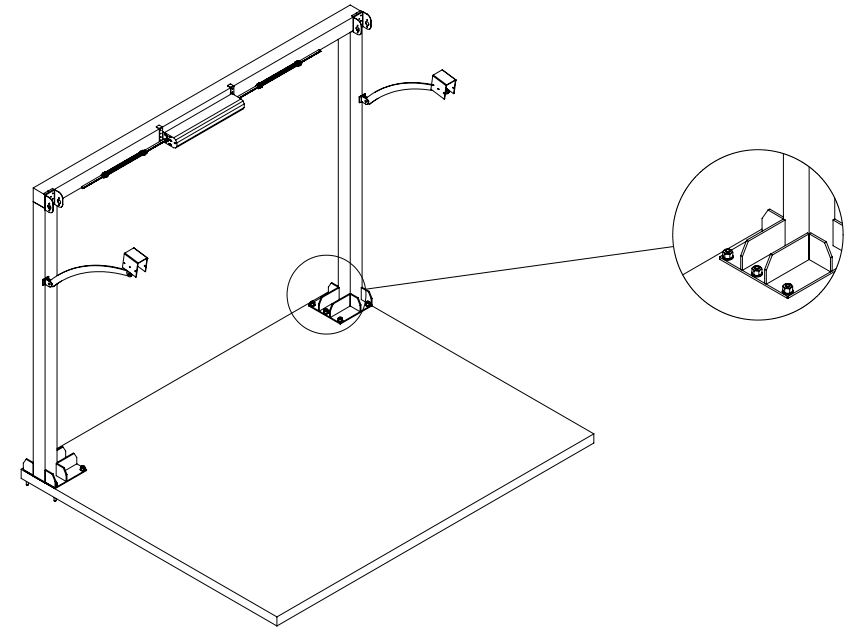




BRACKET SYSTEM

		WIDTH			
		2 RAIL			
		250 cm	300 cm	350 cm	400 cm
PROJECTION	200 cm	€ 6.919	€ 7.260	€ 7.742	€ 8.236
	250 cm	€ 7.206	€ 7.722	€ 8.192	€ 8.557
	300 cm	€ 7.716	€ 8.289	€ 8.817	€ 9.241
	350 cm	€ 8.178	€ 8.597	€ 9.135	€ 9.734
	400 cm	€ 8.475	€ 8.906	€ 9.457	€ 10.066
G22		€ 244	€ 252	€ 274	€ 303
FS5-A		€ 43	€ 54	€ 64	€ 73
FS5-E		€ 59	€ 75	€ 88	€ 100
FS5-A		Additional Fabric Support Profile (Standard)			
FS8		Lighting System			
G22		L1600 Gutter System			

		LED TYPE & MODULE		
FS8		2 LED	3 LED	4 LED
FS8-S	SPOT	€ 132	€ 160	€ 189
FS8-L	LINEAR	€ 189	€ 245	
FS8-LR	LINEAR (RGB)	€ 240	€ 311	



- * Distance between two pillars depends on the system width.
- * For the systems with 2 units next to each other, one of the pillars in the middle will be removed.
- * Strut support apparatus is used under each rail.
- * Pillar and beam are used as 150*150*3mm in standard.

Notes:

1. Modules can not be combined.
2. Side beam is not applicable
3. FS Flexy Plain/3D or Stam 6002 is included in the price.
4. Motor and Remote control is included in the price.
5. Palmiye Aluminium Coating Catalogue includes the standard colours with no extra cost. For any other type/brand/color of paint, price difference and additional delivery duration shall be checked from your customer representative.
6. Standard "Fabric support profile plastic colors" are specified in our Aluminium coating catalogue.

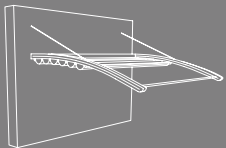
OPTIONS			
FS10-L1600 (ALM-16)	Extra pillar (100x160mm Al.) for L1600 series	€ 352	pcs
FS10	Extra pillar (100x100mm Al.)	€ 525	pcs
FS10-ST3	Extra pillar (100x100x3mm St.)	€ 653	pcs
FS10-ST5	Extra pillar (100x100x5mm St.)	€ 951	pcs
FS11	Deco ceiling cover	€ 73	m ²
FS13-A	Wavy ceiling cover (for flexy fabric) (up to 350 cm width)	€ 37	m ²
FS15	Side beam pillar (50x100mm- Al)	€ 272	pcs
FS15-L1600 (ALM-11)	Side beam pillar (100x100mm- Al) for L1600 series	€ 345	pcs
FS19	Fix louver	€ 72	lm
FS23	External Square Downpipe	€ 321	pcs
FS24	W96 Ceiling Cover	€ 84	m ²
FS26	Exclusive fabric difference (up to 800cm width)	€ 49	m ²
FS28-1	Stainless steel chain- 100 cm	€ 76	1m
FS28-2	Stainless steel chain- 200 cm	€ 149	2m
FS28-3	Stainless steel chain- 300 cm	€ 223	3m
FS28-4	Stainless steel chain- 400 cm	€ 297	4m
FS29-1	Sun Sensor (SUNIS) (for single motor)	€ 607	pcs
FS29-2	Wind Sensor (EOLIS RTS) (for single motor)	€ 284	pcs
FS29-3	Sun and Wind Sensor (SOLIRIS RTS) (for single motor)	€ 322	pcs
FS29-4	* Rain Sensor (ONDEIS) (for single motor)	€ 558	pcs
FS30	CONNEXOON	€ 510	pcs
FS10-150ST5-H	Extra half pillar (150x150x5mm St.)	€ 205	pcs
FS10-150ST3	Extra pillar (150x150x3mm St.)	€ 1.217	pcs
FS10-150ST5	Extra pillar (150x150x5mm St.)	€ 1.702	pcs

EXTENSIONS		
L1600 Rail - 110x160mm	€ 262	lm
Beam Profile (Al. 42x150mm)	€ 102	lm
Beam Profile (Al. 50x150mm)	€ 180	lm
Beam Profile (Al. 100x150mm)	€ 150	lm
Beam Profile (St. 100x150x3mm)	€ 311	lm
Beam Profile (St. 100x150x5mm)	€ 377	lm
Beam Profile (St. 100x200x3mm)	€ 315	lm
Beam Profile (St. 100x200x5mm)	€ 448	lm
Beam Profile (St. 150x150x3mm)	€ 427	lm
Beam Profile (St. 150x150x5mm)	€ 599	lm
Fabric protection cover (Al. - 63x__cm)	€ 59	m ²
L1600 Gutter	€ 102	lm

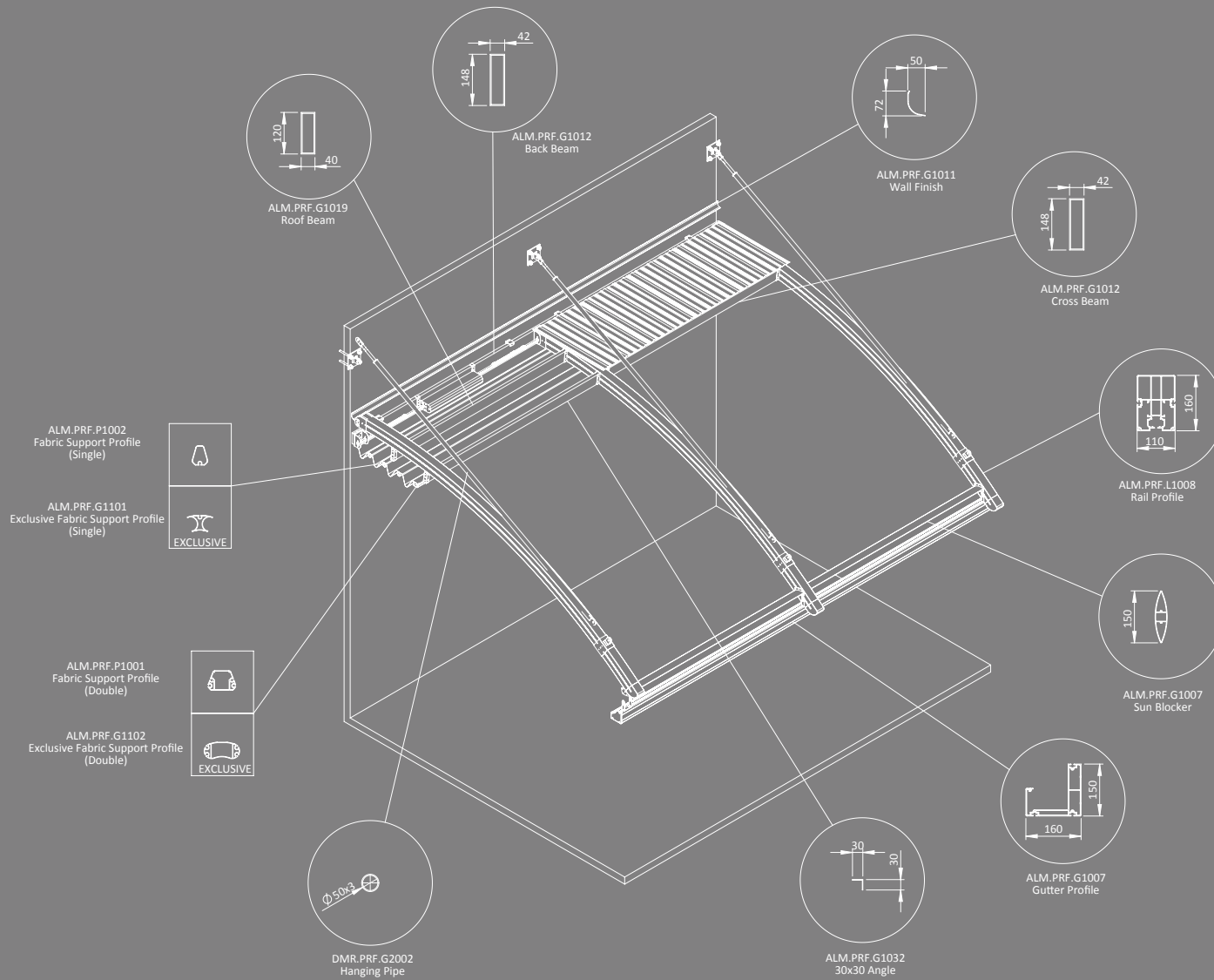
PRICE DIFFERENCE			
BEAM GROUP			
Standard	Al. 42x150mm		
Back Beam	to	Al. 50x150mm	€ 78 lm
		St. 50x150x3mm	€ 101 lm
		St. 50x150x5mm	€ 187 lm
		Al. 100x150mm	€ 47 lm
		St. 100x150x3mm	€ 204 lm
		St. 100x150x5mm	€ 277 lm
		St. 100x200x3mm	€ 209 lm
		St. 100x200x5mm	€ 349 lm

Notes:

1. Fabric support profiles can be painted in the same color as the general construction. No fee is paid for this process. However, the plastic color should be specified from our standard plastic colours in Palmiye Color Chart.
2. For one product, a dry contact transmitter costing 370€, must be added.
3. Up to 5 products, a RS485 Automation interface dry contact transmitter costing 1126€, must be added.
4. The prices in the main table are for wall mounted products. This model also can be made as freestanding. For freestanding applications "FS10-150ST3" or "FS10-150ST5" pillar options and "St. 150x150x3mm" or "St. 150x150x5mm" back beam options should be added to the main prices.



HANGING SYSTEM



TECHNICAL DETAILS

WATER DRAIN&GUTTER CALCULATION

PRODUCT TYPE	MAX. M ²	USED PRODUCT TYPE
WATER DRAINAGE 45	34m ²	1200 Series Standard
WATER DRAINAGE 65	42m ²	Standard

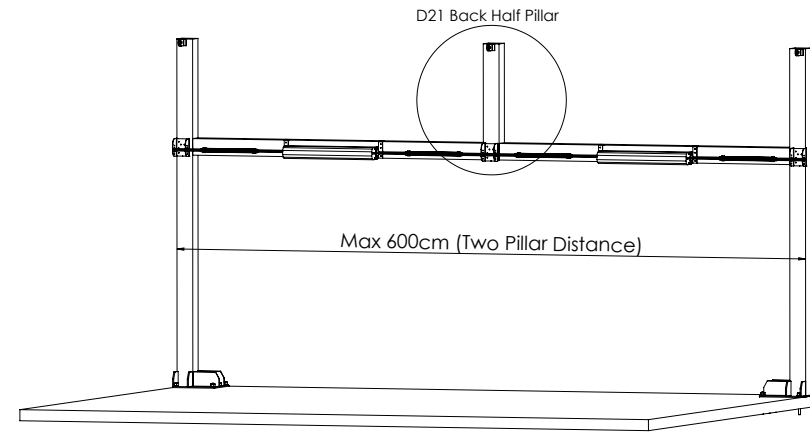
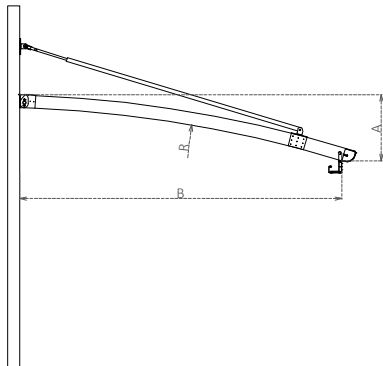
*There should be at least one drainage, each 8 m length gutter.

RADIUS CHART

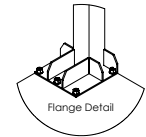
RADIUS	850	1500	2850
--------	-----	------	------

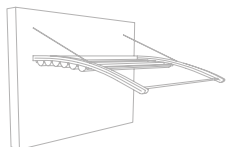
B	A		
250	63		
300	83		
350	107		
400	135	82	
450	168	98	
500		116	
550		137	
600		160	93

*The values are approx. ± 5 cm



- This model includes 3m steel back beam and pillars.
- The front beam can not be produced in steel.
- Ground flanges are 380x380x15 mm.
- When pillar reduction is applied, half pillar must be installed at the back of each rail shaft, and all steel pillars should be 150x150x5 mm.
- In condition of adding an additional rail, a steel 150x150x3m back pillar should also be added.





HANGING SYSTEM

WIDTH																						FS4-L1600 (R97)	
PROJECTION	2 RAIL				3 RAIL								4 RAIL						5 RAIL				
	250 cm	300 cm	350 cm	400 cm	450 cm	500 cm	550 cm	600 cm	650 cm	700 cm	750 cm	800 cm	850 cm	900 cm	950 cm	1000 cm	1050 cm	1100 cm	1150 cm	1200 cm	1250 cm		
	200 cm	€ 6.959	€ 7.301	€ 7.788	€ 8.284	€ 9.415	€ 9.769	€ 10.113	€ 10.457	€ 11.070	€ 11.369	€ 11.817	€ 12.157	€ 13.694	€ 14.036	€ 14.382	€ 14.721	€ 15.063	€ 15.405	€ 15.745	€ 16.021	€ 16.463	
250 cm	€ 7.247	€ 7.765	€ 8.239	€ 8.607	€ 9.844	€ 10.207	€ 10.724	€ 11.077	€ 11.541	€ 11.848	€ 12.307	€ 12.819	€ 14.634	€ 14.823	€ 15.014	€ 15.363	€ 15.879	€ 16.228	€ 16.581	€ 16.864	€ 17.319	€ 17.829	€ 1.289
300 cm	€ 7.761	€ 8.338	€ 8.868	€ 9.295	€ 10.674	€ 11.096	€ 11.669	€ 12.079	€ 12.598	€ 12.954	€ 13.472	€ 14.040	€ 16.008	€ 16.254	€ 16.502	€ 16.909	€ 17.482	€ 17.887	€ 18.297	€ 18.627	€ 19.134	€ 19.700	€ 1.411
350 cm	€ 8.225	€ 8.645	€ 9.187	€ 9.790	€ 11.273	€ 11.707	€ 12.131	€ 12.711	€ 13.244	€ 13.607	€ 14.135	€ 14.717	€ 16.973	€ 17.223	€ 17.475	€ 17.892	€ 18.314	€ 18.729	€ 19.309	€ 19.648	€ 20.167	€ 20.584	€ 1.530
400 cm	€ 8.524	€ 8.956	€ 9.510	€ 10.123	€ 11.716	€ 12.161	€ 12.595	€ 13.187	€ 13.729	€ 14.102	€ 14.642	€ 15.231	€ 17.590	€ 17.859	€ 18.130	€ 18.557	€ 18.991	€ 19.417	€ 20.007	€ 20.355	€ 20.884	€ 21.312	€ 1.652
450 cm	€ 8.833	€ 9.276	€ 9.840	€ 10.466	€ 12.169	€ 12.624	€ 13.071	€ 13.675	€ 14.227	€ 14.609	€ 15.160	€ 15.761	€ 18.243	€ 18.519	€ 18.798	€ 19.238	€ 19.679	€ 20.118	€ 20.719	€ 21.072	€ 21.614	€ 22.051	€ 1.773
500 cm	€ 9.135	€ 9.590	€ 10.167	€ 10.803	€ 12.617	€ 13.085	€ 13.540	€ 14.153	€ 14.719	€ 15.108	€ 15.669	€ 16.280	€ 18.887	€ 19.172	€ 19.458	€ 19.908	€ 20.362	€ 20.810	€ 21.421	€ 21.784	€ 22.336	€ 22.784	€ 1.895
550 cm	€ 9.437	€ 9.905	€ 10.492	€ 11.139	€ 13.065	€ 13.543	€ 14.007	€ 14.632	€ 15.212	€ 15.606	€ 16.179	€ 16.801	€ 19.530	€ 19.823	€ 20.118	€ 20.580	€ 21.044	€ 21.499	€ 22.123	€ 22.496	€ 23.059	€ 23.519	€ 2.017
600 cm	€ 9.740	€ 10.217	€ 10.816	€ 11.476	€ 13.514	€ 14.003	€ 14.474	€ 15.110	€ 15.704	€ 16.105	€ 16.688	€ 17.322	€ 20.174	€ 20.476	€ 20.778	€ 21.251	€ 21.727	€ 22.190	€ 22.824	€ 23.208	€ 23.781	€ 24.252	€ 2.138
G22	€ 244	€ 252	€ 274	€ 303	€ 331	€ 353	€ 380	€ 404	€ 430	€ 454	€ 584	€ 610	€ 637	€ 659	€ 688	€ 714	€ 738	€ 764	€ 788	€ 815	€ 839	€ 865	
FS5-A	€ 43	€ 54	€ 64	€ 73	€ 84	€ 93	€ 105	€ 114	€ 125	€ 135	€ 146	€ 155	€ 166	€ 176	€ 187	€ 196	€ 208	€ 217	€ 228	€ 237	€ 249	€ 258	
FS5-E	€ 59	€ 75	€ 88	€ 100	€ 116	€ 129	€ 144	€ 157	€ 173	€ 185	€ 201	€ 214	€ 229	€ 242	€ 257	€ 270	€ 286	€ 299	€ 314	€ 327	€ 342	€ 355	

G22	L1600 Gutter System
FS5-A	Additional Fabric Support Profile (Standard)
FS4-L1600 (R97)	Additional Rail - Al. 110x160mm
FS8	Lighting System

FS8	
FS8-S	SPOT
FS8-L	LINEAR
FS8-LR	LINEAR (RGB)

LED TYPE & MODULE		
2 LED	3 LED	4 LED
€ 132	€ 160	€ 189
€ 189	€ 245	
€ 240	€ 311	

Notes:

1. FS Flexy Plain/3D or Stam 6002 is included in the price.
2. Motor and Remote control is included in the price.
3. Palmiye Aluminium Coating Catalogue includes the standard colours with no extra cost. For any other type/brand/color of paint, price difference and additional delivery duration shall be checked from your customer representative.
4. Standard "Fabric support profile plastic colors" are specified in our Aluminium coating catalogue.

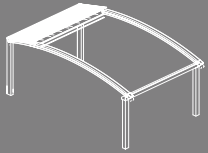
OPTIONS			
FS10-L1600 (ALM-16)	Extra pillar (100x160mm Al.) for L1600 series	€ 352	pcs
FS10	Extra pillar (100x100mm Al.)	€ 525	pcs
FS10-ST3	Extra pillar (100x100x3mm St.)	€ 653	pcs
FS10-ST5	Extra pillar (100x100x5mm St.)	€ 951	pcs
FS11	Deco ceiling cover	€ 73	m ²
FS13-A	Wavy ceiling cover (for flexy fabric) (up to 350 cm width)	€ 37	m ²
FS15	Side beam pillar (50x100mm - Al)	€ 272	pcs
FS15-L1600 (ALM-11)	Side beam pillar (100x100mm - Al) for L1600 series	€ 345	pcs
FS19	Fix louver	€ 72	lm
FS23	External Square Downpipe	€ 321	pcs
FS24	W96 Ceiling Cover	€ 84	m ²
FS26	Exclusive fabric difference (up to 800cm width)	€ 49	m ²
FS28-1	Stainless steel chain - 100 cm	€ 76	1m
FS28-2	Stainless steel chain - 200 cm	€ 149	2m
FS28-3	Stainless steel chain - 300 cm	€ 223	3m
FS28-4	Stainless steel chain - 400 cm	€ 297	4m
FS29-1	Sun Sensor (SUNIS) (for single motor)	€ 607	pcs
FS29-1S	Sun Sensor (SUNIS) (for synchronized motor)	€ 962	pcs
FS29-2	Wind Sensor (EOLIS RTS) (for single motor)	€ 284	pcs
FS29-2S	Wind Sensor (EOLIS RTS) (for synchronized motor)	€ 639	pcs
FS29-3	Sun and Wind Sensor (SOLIRIS RTS) (for single motor)	€ 322	pcs
FS29-3S	Sun and Wind Sensor (SOLIRIS RTS) (for synchronized motor)	€ 676	pcs
FS29-4	* Rain Sensor (ONDEIS) (for single motor)	€ 558	pcs
FS29-4S	* Rain Sensor (ONDEIS) (for synchronized motor)	€ 912	pcs
FS30	CONNEXOON	€ 510	pcs
FS10-150ST5-H	Extra half pillar (150x150x5mm St.)	€ 205	pcs
FS10-150ST3	Extra pillar (150x150x3mm St.)	€ 1.217	pcs
FS10-150ST5	Extra pillar (150x150x5mm St.)	€ 1.702	pcs

EXTENSIONS		
L1600 Rail - 110x160mm	€ 262	lm
Beam Profile (Al. 42x150mm)	€ 102	lm
Beam Profile (Al. 50x150mm)	€ 180	lm
Beam Profile (Al. 100x150mm)	€ 150	lm
Beam Profile (St. 100x150x3mm)	€ 311	lm
Beam Profile (St. 100x150x5mm)	€ 377	lm
Beam Profile (St. 100x200x3mm)	€ 315	lm
Beam Profile (St. 100x200x5mm)	€ 448	lm
Beam Profile (St. 150x150x3mm)	€ 427	lm
Beam Profile (St. 150x150x5mm)	€ 599	lm
Fabric protection cover (Al. - 63x___cm)	€ 59	m ²
L1600 Gutter	€ 102	lm

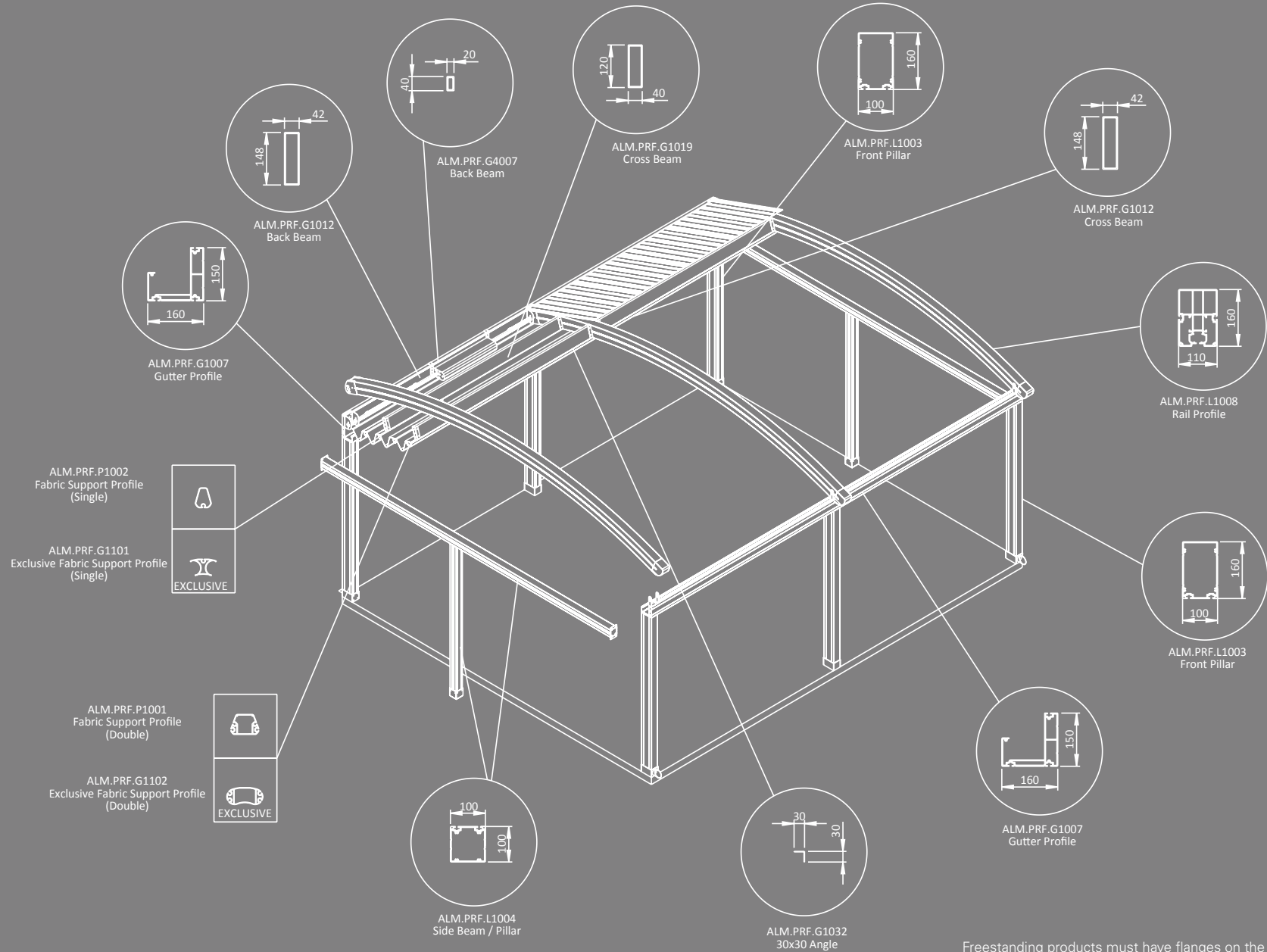
PRICE DIFFERENCE			
		BEAM GROUP	
Standard	Al. 42x150mm		
Back Beam	to	Al. 50x150mm	€ 78 lm
		St. 50x150x3mm	€ 101 lm
		St. 50x150x5mm	€ 187 lm
		Al. 100x150mm	€ 47 lm
		St. 100x150x3mm	€ 204 lm
		St. 100x150x5mm	€ 277 lm
		St. 100x200x3mm	€ 209 lm
	St. 100x200x5mm	€ 349 lm	

Notes:

1. Fabric support profiles can be painted in the same color as the general construction. No fee is paid for this process. However, the plastic color should be specified from our standard plastic colours in Palmiye Color Chart.
2. For one product, a dry contact transmitter costing 370€, must be added.
3. Up to 5 products, a RS485 Automation interface dry contact transmitter costing 1126€, must be added.
4. The prices in the main table are for wall mounted products. This model also can be made as freestanding. For freestanding applications "FS10-150ST3" or "FS10-150ST5" pillar options and "St. 150x150x3mm" or "St. 150x150x5mm" back beam options should be added to the main prices.



TWIN STANDING SYSTEM WITH FRONT PILLAR SINGLE MOTOR



Freestanding products must have flanges on the pillars.

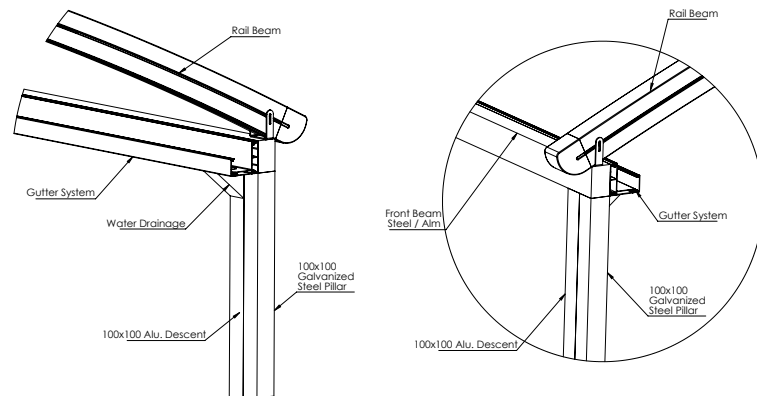
TECHNICAL DETAILS

WATER DRAIN&GUTTER CALCULATION

PRODUCT TYPE	MAX. M ²	USED PRODUCT TYPE
WATER DRAINAGE 45	34m ²	1200 Series Standard
WATER DRAINAGE 65	42m ²	Standard

*There should be at least one drainage, each 8 m length gutter.

APPLICATION FORM IN STEEL FRONT BEAM AND DEVICE



* In use of aluminum front pillar of 100*100 and front beam of 100*150 water drain, is applied from the available pillar. No external descent is applied.

TERMS OF USE OF FRONT PILLAR AND FRONT BEAM

		OUT TO OUT PILLAR SIZE				
		450	550	600	650	700
PROJECTION	450	A	A	B	B	C
	500	A	A	B	B	C
	550	A	A	B	C	C
	600	A	B	B	C	C
	650	A	B	C	C	C
	700	A	B	C	C	C
	750	A	B	C	C	C
	F. PILLAR F. BEAM	A	100*100 ALU 100*150 ALU	B	100*100*3 G.S 100*150*3 G.S	C

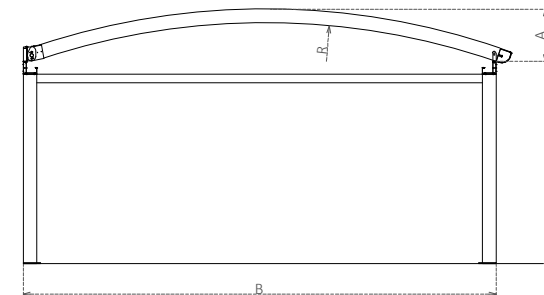
- * Use of front pillar and beam should be additionally priced.
- * Floor mounting of the pillar is performed with flange of 200*200*10 mm or ground anchor.
- * Application is made behind the gutter system.
- * Maximum height is 4m for aluminum front pillars and 5m for steel front pillars.
- * If front pillar and beam is made of steel, water drain is given from empty aluminum box profile of 100*100.

RADIUS CHART

RADIUS	R615	R850
--------	------	------

Projection	A		B
	R615	R850	
250	27		
300	33		
350	39		
400	47		
450	56	45	
500	66	53	
550	77	61	
600		70	
650		80	
700		91	
750		103	

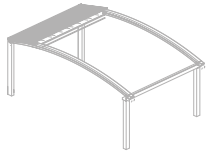
*The values are approx. ± 5 cm



TERMS OF USE OF BACK PILLAR AND BACK BEAM

		OUT TO OUT PILLAR SIZE						
		500	550	600	700	750	800	900
PROJECTION	450	B	B	C	C	D	D	D
	500	B	B	C	C	D	D	D
	550	B	B	C	C	D	D	D
	600	C	C	C	C	D	D	D
	650	C	C	C	C	D	D	D
	700	C	C	C	C	D	D	D
	750	C	C	D	D	D	D	D
	BACK PILLAR BACK BEAM	B	100*100 ALU 100*150 ALU	C	100*100*3 G.S 100*150*3 G.S	D	100*100*5 G.S 100*200*5 G.S	

- * Use of back pillar and beam should be additionally priced.
- * Floor mounting of the pillar is performed with flange of 200*200*10 mm or ground anchor.
- * Maximum height is 4m for aluminum back pillars and 5m for steel back pillars.
- * If back pillar and beam is made of steel, water drain is given from empty aluminum box profile of 100*100mm



TWIN STANDING SYSTEM WITH FRONT PILLAR SINGLE MOTOR

		WIDTH																				FS4-L1600 (R97)		
		2 RAIL			3 RAIL							4 RAIL						5 RAIL						
		250 cm	300 cm	350 cm	400 cm	450 cm	500 cm	550 cm	600 cm	650 cm	700 cm	750 cm	800 cm	850 cm	900 cm	950 cm	1000 cm	1050 cm	1100 cm	1150 cm	1200 cm		1250 cm	1300 cm
PROJECTION	400 cm	€ 10.625	€ 11.100	€ 11.704	€ 12.817	€ 14.585	€ 15.071	€ 15.547	€ 16.195	€ 16.786	€ 17.194	€ 18.715	€ 19.406	€ 21.115	€ 21.584	€ 22.055	€ 22.522	€ 22.994	€ 23.703	€ 24.349	€ 24.728	€ 25.527	€ 25.992	€ 1.652
	450 cm	€ 10.950	€ 11.436	€ 12.055	€ 13.274	€ 15.070	€ 15.568	€ 16.056	€ 16.716	€ 17.319	€ 17.737	€ 19.377	€ 20.085	€ 21.812	€ 22.293	€ 22.776	€ 23.255	€ 23.736	€ 24.460	€ 25.117	€ 25.502	€ 26.313	€ 26.791	€ 1.773
	500 cm	€ 11.270	€ 11.766	€ 12.397	€ 13.724	€ 15.549	€ 16.060	€ 16.556	€ 17.228	€ 17.847	€ 18.270	€ 20.028	€ 20.756	€ 22.499	€ 22.993	€ 23.488	€ 23.979	€ 24.472	€ 25.205	€ 25.874	€ 26.270	€ 27.093	€ 27.585	€ 1.895
	550 cm	€ 11.831	€ 12.576	€ 13.269	€ 14.703	€ 16.640	€ 17.215	€ 17.949	€ 18.507	€ 19.365	€ 19.846	€ 21.560	€ 22.418	€ 24.294	€ 24.874	€ 25.455	€ 26.035	€ 26.768	€ 27.564	€ 28.293	€ 28.738			€ 2.017
	600 cm	€ 12.159	€ 12.916	€ 13.625	€ 15.162	€ 17.128	€ 17.713	€ 18.465	€ 19.035	€ 19.901	€ 20.393	€ 22.387	€ 23.222	€ 25.075	€ 25.639	€ 26.206	€ 26.772	€ 27.517	€ 28.323					€ 2.138
	650 cm	€ 12.477	€ 13.250	€ 13.969	€ 15.605	€ 17.604	€ 18.205	€ 18.969	€ 19.550	€ 20.428	€ 20.853	€ 23.027	€ 23.885	€ 25.759	€ 26.339	€ 26.921	€ 27.501							€ 2.260
	700 cm	€ 12.798	€ 13.581	€ 14.311	€ 16.067	€ 18.088	€ 18.699	€ 19.471	€ 20.068	€ 20.959	€ 21.388	€ 23.700	€ 24.571	€ 26.459	€ 27.048									€ 2.381
750 cm	€ 13.649	€ 14.444	€ 15.187	€ 17.049	€ 19.098	€ 19.722	€ 20.507	€ 21.113	€ 22.018	€ 22.454	€ 24.887	€ 25.776											€ 2.503	

FS5-A	€ 43	€ 54	€ 64	€ 73	€ 84	€ 93	€ 105	€ 114	€ 125	€ 135	€ 146	€ 155	€ 166	€ 176	€ 187	€ 196	€ 208	€ 217	€ 228	€ 237	€ 249	€ 258
FS5-E	€ 59	€ 75	€ 88	€ 100	€ 116	€ 129	€ 144	€ 157	€ 173	€ 185	€ 201	€ 214	€ 229	€ 242	€ 257	€ 270	€ 286	€ 299	€ 314	€ 327	€ 342	€ 355

FS5-A	Additional Fabric Support Profile (Standard)
FS4-L1600 (R97)	Additional Rail - Al. 110x160mm
FS9-L1600 (Y64)	Side Beam - Al. 100x100mm
FS9	Side Beam - Al. 50x150mm
FS8	Lighting System

FS8	
FS8-S	SPOT
FS8-L	LINEAR
FS8-LR	LINEAR (RGB)

LED TYPE & MODULE		
2 LED	3 LED	4 LED
€ 132	€ 160	€ 189
€ 189	€ 245	
€ 240	€ 311	

Notes:

- FS9-L1600 (Y64) Side Beam is included in the price for right and left side as a standard. For other option which is FS9 (Al. 50x150mm) doesn't apply any charge. But, please define on your technical drawing.
- If the projection is bigger than 700cm, a side beam pillar needs to be added up to rail, FS15-L1600-side beam pillar (100x100mm -Al) for 1600 series, included in the product price.
- FS Flexy Plain/3D or Stam 6002 is included in the price.
- Motor and Remote control is included in the price.
- Palmye Aluminium Coating Catalogue includes the standard colours with no extra cost. For any other type/brand/color of paint, price difference and additional delivery duration shall be checked from your customer representative.
- Standard "Fabric support profile plastic colors" are specified in our Aluminium coating catalogue.

DEDUCTIONS

Price deduction is applicable only for pillars and beam. Deduction amount shall be consider as 70% of related option price.

OPTIONS

FS10-L1600 (ALM-16)	Extra pillar (100x160mm Al.) for L1600 series	€ 352	pcs
FS10	Extra pillar (100x100mm Al.)	€ 525	pcs
FS10-ST3	Extra pillar (100x100x3mm St.)	€ 653	pcs
FS10-ST5	Extra pillar (100x100x5mm St.)	€ 951	pcs
FS11	Deco ceiling cover	€ 73	m ²
FS13-A	Wavy ceiling cover (for flexy fabric) (up to 350 cm width)	€ 37	m ²
FS15	Side beam pillar (50x100mm - Al)	€ 272	pcs
FS15-L1600 (ALM-11)	Side beam pillar (100x100mm - Al) for L1600 series	€ 345	pcs
FS19	Fix louver	€ 72	lm
FS23	External Square Downpipe	€ 321	pcs
FS24	W96 Ceiling Cover	€ 84	m ²
FS26	Exclusive fabric difference (up to 800cm width)	€ 49	m ²
FS29-1	Sun Sensor (SUNIS) (for single motor)	€ 607	pcs
FS29-1S	Sun Sensor (SUNIS) (for synchronized motor)	€ 962	pcs
FS29-2	Wind Sensor (EOLIS RTS) (for single motor)	€ 284	pcs
FS29-2S	Wind Sensor (EOLIS RTS) (for synchronized motor)	€ 639	pcs
FS29-3	Sun and Wind Sensor (SOLIRIS RTS) (for single motor)	€ 322	pcs
FS29-3S	Sun and Wind Sensor (SOLIRIS RTS) (for synchronized motor)	€ 676	pcs
FS29-4	* Rain Sensor (ONDEIS) (for single motor)	€ 558	pcs
FS29-4S	* Rain Sensor (ONDEIS) (for synchronized motor)	€ 912	pcs

EXTENSIONS

L1600 Rail - 110x160mm	€ 262	lm
Beam Profile (Al. 100x150mm)	€ 150	lm
Beam Profile (St. 100x150x3mm)	€ 311	lm
Beam Profile (St. 100x150x5mm)	€ 377	lm
Beam Profile (St. 100x200x3mm)	€ 315	lm
Beam Profile (St. 100x200x5mm)	€ 448	lm
Fabric protection cover (Al. - 63x__cm)	€ 59	m ²
L1600 Gutter	€ 102	lm

*Max. Al. Front pillar (Al. 100x160mm) height is 280cm.

*Max. St 3mm. Front pillar (St. 100x100x3mm) height is 380cm.

*Max. St. 5mm Front pillar (St. 100x100x5mm) height is 480cm.

PRICE DIFFERENCE

		BEAM GROUP	
Standard		Al. 100x150mm	
Back Beam	to	St. 100x150x3mm	€ 155 lm
		St. 100x150x5mm	€ 231 lm
		St. 100x200x3mm	€ 160 lm
		St. 100x200x5mm	€ 302 lm
		PILLAR GROUP	
Standard		Al. 100x160mm	
Front Pillar	to	Al. 100x100mm	€ 173 pcs
		St. 100x100x3mm	€ 191 pcs
		St. 100x100x5mm	€ 497 pcs
		St. 150x150x3mm	€ 765 pcs
		St. 150x150x5mm	€ 1.252 pcs
		PILLAR GROUP	
Standard		Al. 100x100mm	
Back Pillar	to	St. 100x100x3mm	€ 108 pcs
		St. 100x100x5mm	€ 443 pcs
		St. 150x150x3mm	€ 677 pcs
		St. 150x150x5mm	€ 1.197 pcs

Notes:

1. Fabric support profiles can be painted in the same color as the general construction. No fee is paid for this process.

However, the plastic color should be specified from our standard plastic colours in Palmiye Colour Chart.

2. For one product, a dry contact transmitter costing 370€, must be added.

3. Up to 5 products, a RS485 Automation interface dry contact transmitter costing 1126€, must be added.

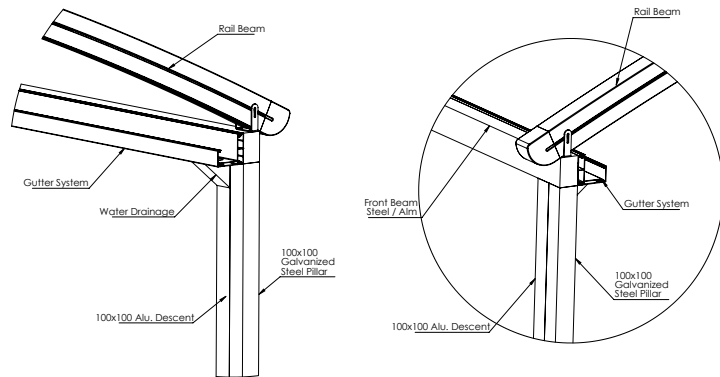
TECHNICAL DETAILS

WATER DRAIN&GUTTER CALCULATION

PRODUCT TYPE	MAX. M ²	USED PRODUCT TYPE
WATER DRAINAGE 45	34m ²	1200 Series Standard
WATER DRAINAGE 65	42m ²	Standard

*There should be at least one drainage, each 8 m length gutter.

APPLICATION FORM IN STEEL FRONT BEAM AND DEVICE

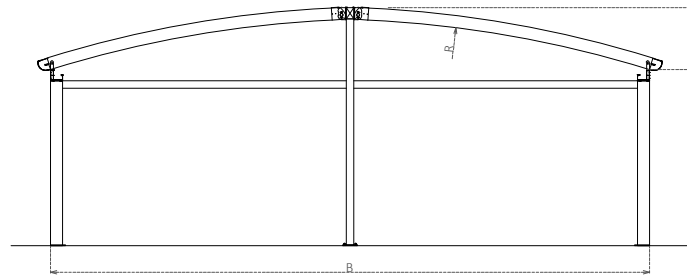


* In use of aluminum front pillar of 100*100 and front beam of 100*150 water drain, is applied from the available pillar. No external descent is applied.

TERMS OF USE OF FRONT PILLAR AND BEAM

PROJECTION	OUT TO OUT PILLAR SIZE					
	450	550	600	650	700	
800	A	A	B	B	C	
900	A	A	B	B	C	
1000	A	A	B	C	C	
1100	A	B	B	C	C	
1200	A	B	C	C	C	
1300	A	B	C	C	C	
1400	A	B	C	C	C	
1500	A	B	C	C	C	
F. PILLAR F. BEAM	A 100*100 ALU 100*150 ALU	B 100*100*3 G.S 100*150*3 G.S	C 100*100*5 G.S 100*200*5 G.S			

- * Use of front pillar and beam should be additionally priced.
- * Ground mounting of the pillar is performed with flange of 200x200x10 or 100x100 stainless ground anchor.
- * Application is made behind the gutter system
- * Maximum height is 4m for aluminum front pillars and 5m for steel front pillars.
- * If front pillar and beam is made of steel, water drain is given from empty aluminum box profile of 100*100



RADIUS CHART

RADIUS	R615	R850	R1500	R2850
Projection	A			
250	34			
300	41			
350	49			
400	58			
450	68	56		
500	81	65		
550	94	74		
600		85		
650		96		
700		109		
750		122	75	
800		137	83	
850		153	91	
900			100	
950			109	
1000			118	
1050			128	
1100			139	
1150			150	89
1200			161	94
1250			174	101
1300				107
1350				114
1400				120
1450				128
1500				135

*The values are approx. ± 5 cm

TERMS OF USE OF MIDDLE PILLAR AND BEAM

PROJECTION	OUT TO OUT PILLAR SIZE						
	500	550	600	700	750	800	900
800	B	B	B	C	D	D	D
900	B	B	B	C	D	D	D
1000	B	B	C	C	D	D	D
1100	B	C	C	C	D	D	D
1200	C	C	C	C	D	D	D
1300	C	C	C	D	D	D	D
1400	C	D	D	D	D	D	D
1500	C	D	D	D	D	D	D
F. PILLAR F. BEAM	B 100*100 ALU 100*150 ALU	C 100*100*3 G.S 100*150*3 G.S	D 100*100*5 G.S 100*200*5 G.S				

- * Use of middle pillar and beam should be additionally priced.
- * Floor mounting of the pillar is performed with flange of 200*200*10 mm or ground anchor.
- * Maximum height is 4m for aluminum middle pillars and 5m for steel middle pillars.

TERMS OF USE OF MIDDLE PILLAR AND BEAM FOR TWIN STANDING SYSTEM (STANDART)

PROJECTION	PRODUCT WIDTH																		
	450	500	550	600	650	700	750	800	850	900	950	1000	1050	1100	1150	1200	1250	1300	
800	A	A	A	A	A	A	A	A	A	A	A	A	A	A	A	A	A	A	
900	A	A	A	A	A	A	A	A	A	A	A	A	A	A	A	A	A	A	
1000	A	A	A	A	A	A	A	A	A	A	A	A	A	A	A	A	A	A	
1100	A	A	A	A	A	A	A	A	A	A	A	A	A	A	A	A	A	A	
1200	A	A	A	A	A	A	A	A	A	A	A	A	A	A	A	A	A	A	
1300	A	A	A	A	A	A	A	A	A	A	A	A	A	A	A	A	A	A	
1400	A	A	A	A	A	A	A	A	A	A	A	A	A	A	A	A	A	A	
1500	A	A	A	A	A	A	A	A	A	A	A	A	A	A	A	A	A	A	
GROUND FLANGE BACK PILLAR BACK BEAM	A		200*200*10 FLANGE ALU 100*100 ALU 100*150 ALU																

* Price of middle pillar and beam is included in the list price for twin standing system.



TWIN STANDING SYSTEM WITH FRONT PILLAR TWIN MOTOR

WIDTH																								
PROJECTION	2 RAIL				3 RAIL								4 RAIL						5 RAIL					FS4-L1600 (R97)
	250 cm	300 cm	350 cm	400 cm	450 cm	500 cm	550 cm	600 cm	650 cm	700 cm	750 cm	800 cm	850 cm	900 cm	950 cm	1000 cm	1050 cm	1100 cm	1150 cm	1200 cm	1250 cm	1300 cm		
400 cm	€ 11.127	€ 11.655	€ 12.331	€ 13.081	€ 15.280	€ 15.822	€ 16.351	€ 17.074	€ 17.732	€ 18.187	€ 18.818	€ 19.538	€ 22.286	€ 22.809	€ 23.333	€ 23.854	€ 24.380	€ 24.898	€ 25.619	€ 26.041	€ 26.932	€ 27.451	€ 1.652	
450 cm	€ 11.513	€ 12.055	€ 12.744	€ 13.508	€ 15.844	€ 16.400	€ 16.942	€ 17.680	€ 18.352	€ 18.818	€ 19.462	€ 20.195	€ 23.088	€ 23.625	€ 24.162	€ 24.696	€ 25.233	€ 25.768	€ 26.503	€ 26.930	€ 27.835	€ 28.368	€ 1.773	
500 cm	€ 11.890	€ 12.447	€ 13.151	€ 13.929	€ 16.402	€ 16.971	€ 17.524	€ 18.274	€ 18.963	€ 19.438	€ 20.094	€ 20.841	€ 23.882	€ 24.431	€ 24.981	€ 25.530	€ 26.079	€ 26.624	€ 27.371	€ 27.812	€ 28.731	€ 29.278	€ 1.895	
550 cm	€ 12.543	€ 13.376	€ 14.149	€ 15.000	€ 17.649	€ 18.288	€ 19.109	€ 19.731	€ 20.688	€ 21.225	€ 21.949	€ 22.767	€ 25.914	€ 26.560	€ 27.208	€ 27.854	€ 28.674	€ 29.288	€ 30.103	€ 30.600	€ 31.584	€ 32.401	€ 2.017	
600 cm	€ 12.933	€ 13.779	€ 14.571	€ 15.433	€ 18.218	€ 18.871	€ 19.710	€ 20.344	€ 21.312	€ 21.860	€ 22.598	€ 23.430	€ 26.812	€ 27.440	€ 28.073	€ 28.703	€ 29.533	€ 30.164	€ 30.992	€ 31.498	€ 32.496	€ 33.325	€ 2.138	
650 cm	€ 13.314	€ 14.177	€ 14.979	€ 15.855	€ 18.774	€ 19.445	€ 20.296	€ 20.945	€ 21.926	€ 22.399	€ 23.144	€ 23.986	€ 27.602	€ 28.248	€ 28.898	€ 29.544	€ 30.284	€ 31.029	€ 31.871	€ 32.385	€ 33.398	€ 34.240	€ 2.260	
700 cm	€ 13.698	€ 14.571	€ 15.388	€ 16.280	€ 19.340	€ 20.021	€ 20.883	€ 21.549	€ 22.543	€ 23.020	€ 23.783	€ 24.639	€ 28.410	€ 29.066	€ 29.724	€ 30.381	€ 31.237	€ 31.893	€ 32.751	€ 33.272	€ 34.302	€ 35.153	€ 2.381	
750 cm	€ 14.080	€ 14.969	€ 15.799	€ 16.702	€ 19.903	€ 20.598	€ 21.473	€ 22.149	€ 23.161	€ 23.646	€ 24.419	€ 25.287	€ 29.210	€ 29.881	€ 30.553	€ 31.223	€ 32.091	€ 32.762	€ 33.630	€ 34.165	€ 35.204	€ 36.069	€ 2.503	
800 cm	€ 17.095	€ 17.921	€ 18.974	€ 20.139	€ 23.448	€ 24.287	€ 25.106	€ 26.232	€ 27.256	€ 27.958	€ 28.880	€ 30.000	€ 34.176	€ 34.983	€ 35.792	€ 36.602	€ 37.415	€ 38.219	€ 39.339	€ 39.988	€ 41.239	€ 42.043	€ 2.624	
850 cm	€ 17.407	€ 18.243	€ 19.306	€ 20.483	€ 23.899	€ 24.750	€ 25.580	€ 26.716	€ 27.751	€ 28.462	€ 29.394	€ 30.525	€ 34.815	€ 35.633	€ 36.454	€ 37.272	€ 38.095	€ 38.912	€ 40.042	€ 40.697	€ 41.958	€ 42.772	€ 2.746	
900 cm	€ 17.718	€ 18.566	€ 19.639	€ 20.827	€ 24.353	€ 25.212	€ 26.055	€ 27.201	€ 28.246	€ 28.965	€ 29.908	€ 31.049	€ 35.454	€ 36.284	€ 37.114	€ 37.944	€ 38.774	€ 39.603	€ 40.746	€ 41.406	€ 42.677	€ 43.502	€ 2.909	
950 cm	€ 18.024	€ 18.882	€ 19.967	€ 21.166	€ 24.799	€ 25.671	€ 26.520	€ 27.678	€ 28.736	€ 29.462	€ 30.416	€ 31.567	€ 36.086	€ 36.927	€ 37.767	€ 38.608	€ 39.448	€ 40.285	€ 41.439	€ 42.109	€ 43.389	€ 44.226	€ 2.987	
1000 cm	€ 18.330	€ 19.200	€ 20.296	€ 21.504	€ 25.245	€ 26.129	€ 26.987	€ 28.154	€ 29.226	€ 29.957	€ 30.921	€ 32.085	€ 36.718	€ 37.567	€ 38.420	€ 39.271	€ 40.122	€ 40.968	€ 42.132	€ 42.811	€ 44.103	€ 44.950	€ 3.108	
1050 cm	€ 18.849	€ 19.938	€ 21.087	€ 22.355	€ 26.233	€ 27.171	€ 28.241	€ 29.307	€ 30.589	€ 31.371	€ 32.388	€ 33.608	€ 38.325	€ 39.252	€ 40.181	€ 41.109	€ 42.172	€ 43.073	€ 44.289	€ 45.013	€ 46.357	€ 47.416	€ 3.230	
1100 cm	€ 19.370	€ 20.674	€ 21.881	€ 23.206	€ 27.222	€ 28.215	€ 29.495	€ 30.461	€ 31.954	€ 32.786	€ 33.856	€ 35.131	€ 39.931	€ 40.935	€ 41.942	€ 42.946	€ 44.221	€ 45.178	€ 46.447	€ 47.213	€ 48.611	€ 49.881	€ 3.350	
1150 cm	€ 19.684	€ 20.999	€ 22.220	€ 23.554	€ 27.677	€ 28.681	€ 29.974	€ 30.950	€ 32.453	€ 33.292	€ 34.374	€ 35.659	€ 40.465	€ 41.637	€ 42.628	€ 43.620	€ 44.905	€ 45.873	€ 47.152	€ 47.927	€ 49.336	€ 50.616	€ 3.473	
1200 cm	€ 19.997	€ 21.325	€ 22.559	€ 23.899	€ 28.132	€ 29.146	€ 30.454	€ 31.440	€ 32.949	€ 33.799	€ 34.891	€ 36.187	€ 41.359	€ 42.336	€ 43.316	€ 44.294	€ 45.589	€ 46.567	€ 47.859	€ 48.641	€ 50.060	€ 51.350	€ 3.592	
1250 cm	€ 20.304	€ 21.645	€ 22.885	€ 24.238	€ 28.576	€ 29.604	€ 30.923	€ 31.920	€ 33.439	€ 34.229	€ 35.327	€ 36.631	€ 41.987	€ 42.979	€ 43.973	€ 44.962	€ 46.187	€ 47.255	€ 48.556	€ 49.346	€ 50.775	€ 52.076	€ 3.714	
1300 cm	€ 20.610	€ 21.963	€ 23.213	€ 24.577	€ 29.019	€ 30.063	€ 31.392	€ 32.399	€ 33.929	€ 34.660	€ 35.763	€ 37.074	€ 42.616	€ 43.622	€ 44.627	€ 45.631	€ 46.784	€ 47.943	€ 49.254	€ 50.053	€ 51.493	€ 52.804	€ 3.834	
1350 cm	€ 20.917	€ 22.281	€ 23.542	€ 24.919	€ 29.472	€ 30.523	€ 31.859	€ 32.880	€ 34.422	€ 35.155	€ 36.274	€ 37.595	€ 43.259	€ 44.271	€ 45.285	€ 46.298	€ 47.542	€ 48.630	€ 49.956	€ 50.758	€ 52.212	€ 53.530	€ 3.957	
1400 cm	€ 21.226	€ 22.597	€ 23.870	€ 25.261	€ 29.924	€ 30.983	€ 32.328	€ 33.363	€ 34.915	€ 35.652	€ 36.782	€ 38.116	€ 43.901	€ 44.921	€ 45.944	€ 46.963	€ 48.297	€ 49.316	€ 50.655	€ 51.463	€ 52.929	€ 54.257	€ 4.079	
1450 cm	€ 22.592	€ 23.974	€ 25.258	€ 26.658	€ 31.432	€ 32.502	€ 33.856	€ 34.900	€ 36.465	€ 37.210	€ 38.348	€ 39.692	€ 45.597	€ 46.627	€ 47.660	€ 48.690	€ 50.034	€ 51.066	€ 52.412	€ 53.230	€ 54.704		€ 4.199	
1500 cm	€ 22.901	€ 24.294	€ 25.588	€ 26.996	€ 31.882	€ 32.962	€ 34.329	€ 35.378	€ 36.958	€ 37.708	€ 38.855	€ 40.209	€ 46.232	€ 47.274	€ 48.318	€ 49.360	€ 50.713	€ 51.755	€ 53.110	€ 53.938	€ 55.420		€ 4.322	
FS5-A	€ 43	€ 54	€ 64	€ 73	€ 84	€ 93	€ 105	€ 114	€ 125	€ 135	€ 146	€ 155	€ 166	€ 176	€ 187	€ 196	€ 208	€ 217	€ 228	€ 237	€ 249	€ 258		
FS5-E	€ 59	€ 75	€ 88	€ 100	€ 116	€ 129	€ 144	€ 157	€ 173	€ 185	€ 201	€ 214	€ 229	€ 242	€ 257	€ 270	€ 286	€ 299	€ 314	€ 327	€ 342	€ 355		

FS5-A	Additional Fabric Support Profile (Standard)
FS4-L1600 (R97)	Additional Rail - Al. 110x160mm
FS8	Lighting System

LED TYPE & MODULE				
FS8		2 LED	3 LED	4 LED
FS8-S	SPOT	€ 132	€ 160	€ 189
FS8-L	LINEAR	€ 189	€ 245	
FS8-LR	LINEAR (RGB)	€ 240	€ 311	

Notes:

- FS9-L1600 (Y64) Side Beam is included in the price for right and left side as a standard. For other option which is FS9 (Al. 50x150mm) doesn't apply any charge. But, please define on your technical drawing.
- If the projection is bigger than 700cm, a side beam pillar needs to be added up to rail, FS15-L1600-side beam pillar (100x100mm -Al) for 1600 series, included in the product price.
- FS Flexy Plain/3D or Stam 6002 is included in the price.
- Motor and Remote control is included in the price.
- Palmiye Aluminium Coating Catalogue includes the standard colours with no extra cost. For any other type/brand/color of paint, price difference and additional delivery duration shall be checked from your customer representative.
- Standard "Fabric support profile plastic colors" are specified in our Aluminium coating catalogue.

DEDUCTIONS

Price deduction is applicable only for pillars and beam. Deduction amount shall be consider as 70% of related option price.

OPTIONS			
FS10-L1600 (ALM-16)	Extra pillar (100x160mm Al.) for L1600 series	€ 352	pcs
FS10	Extra pillar (100x100mm Al.)	€ 525	pcs
FS10-ST3	Extra pillar (100x100x3mm St.)	€ 653	pcs
FS10-ST5	Extra pillar (100x100x5mm St.)	€ 951	pcs
FS11	Deco ceiling cover	€ 73	m ²
FS13-A	Wavy ceiling cover (for flexy fabric) (up to 350 cm width)	€ 37	m ²
FS15	Side beam pillar (50x100mm- Al)	€ 272	pcs
FS15-L1600 (ALM-11)	Side beam pillar (100x100mm- Al) for L1600 series	€ 345	pcs
FS19	Fix louver	€ 72	lm
FS23	External Square Downpipe	€ 321	pcs
FS24	W96 Ceiling Cover	€ 84	m ²
FS26	Exclusive fabric difference (up to 800cm width)	€ 49	m ²
FS29-1	Sun Sensor (SUNIS) (for single motor)	€ 607	pcs
FS29-1S	Sun Sensor (SUNIS) (for synchronized motor)	€ 962	pcs
FS29-2	Wind Sensor (EOLIS RTS) (for single motor)	€ 284	pcs
FS29-2S	Wind Sensor (EOLIS RTS) (for synchronized motor)	€ 639	pcs
FS29-3	Sun and Wind Sensor (SOLIRIS RTS) (for single motor)	€ 322	pcs
FS29-3S	Sun and Wind Sensor (SOLIRIS RTS) (for synchronized motor)	€ 676	pcs
FS29-4	* Rain Sensor (ONDEIS) (for single motor)	€ 558	pcs
FS29-4S	* Rain Sensor (ONDEIS) (for synchronized motor)	€ 912	pcs
FS30	CONNEXOON	€ 510	pcs

EXTENSIONS		
L1600 Rail - 110x160mm	€ 262	lm
Beam Profile (Al. 42x150mm)	€ 102	lm
Beam Profile (Al. 50x150mm)	€ 180	lm
Beam Profile (Al. 100x150mm)	€ 150	lm
Beam Profile (St. 100x150x3mm)	€ 311	lm
Beam Profile (St. 100x150x5mm)	€ 377	lm
Beam Profile (St. 100x200x3mm)	€ 315	lm
Beam Profile (St. 100x200x5mm)	€ 448	lm
Fabric protection cover (Al. - 63x__cm)	€ 59	m ²
L1600 Gutter	€ 102	lm

*Max. Al. Front pillar (Al. 100x160mm) height is 280cm.
 *Max. St 3mm. Front pillar (St. 100x100x3mm) height is 380cm.
 *Max. St. 5mm Front pillar (St. 100x100x5mm) height is 480cm.

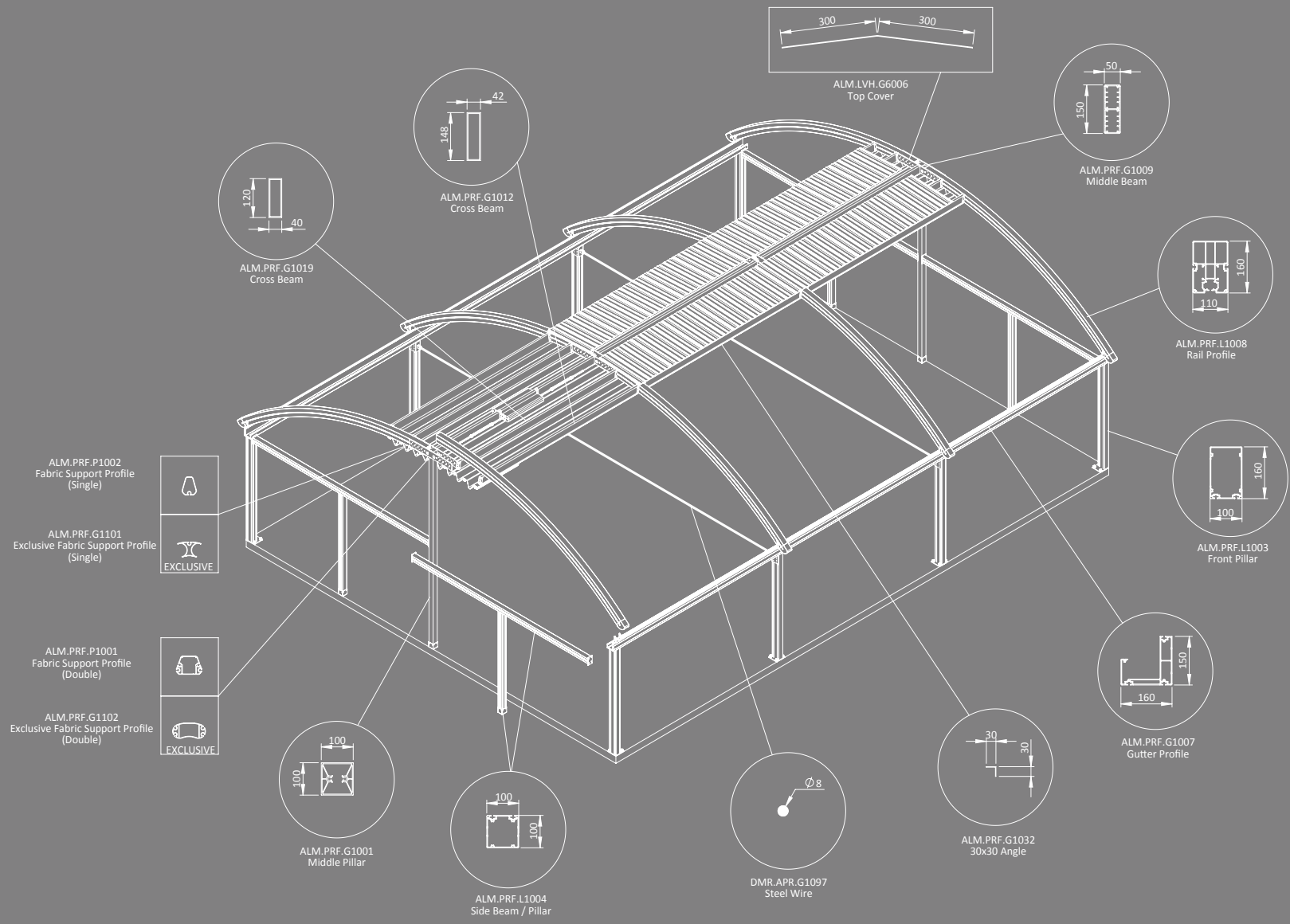
PRICE DIFFERENCE			
BEAM GROUP			
Back Beam	Standard	Al. 100x150mm	
	to	St. 100x150x3mm	€ 155 lm
		St. 100x150x5mm	€ 231 lm
		St. 100x200x3mm	€ 160 lm
		St. 100x200x5mm	€ 302 lm
PILLAR GROUP			
Front Pillar	Standard	Al. 100x160mm	
	to	Al. 100x100mm	€ 173 pcs
		St. 100x100x3mm	€ 191 pcs
		St. 100x100x5mm	€ 497 pcs
		St. 150x150x3mm	€ 765 pcs
St. 150x150x5mm	€ 1.252 pcs		
Back Pillar	Standard	Al. 100x100mm	
	to	St. 100x100x3mm	€ 108 pcs
		St. 100x100x5mm	€ 443 pcs
		St. 150x150x3mm	€ 677 pcs
		St. 150x150x5mm	€ 1.197 pcs

Notes:

1. Fabric support profiles can be painted in the same color as the general construction. No fee is paid for this process. However, the plastic color should be specified from our standard plastic colours in Palmiye Colour Chart.
2. For one product, a dry contact transmitter costing 370€, must be added.
3. Up to 5 products, a RS485 Automation interface dry contact transmitter costing 1126€, must be added.



T. STANDING SYSTEM WITH FRONT PILLAR D.M. (WITHOUT M. PILLAR)



Freestanding products must have flanges on the pillars.

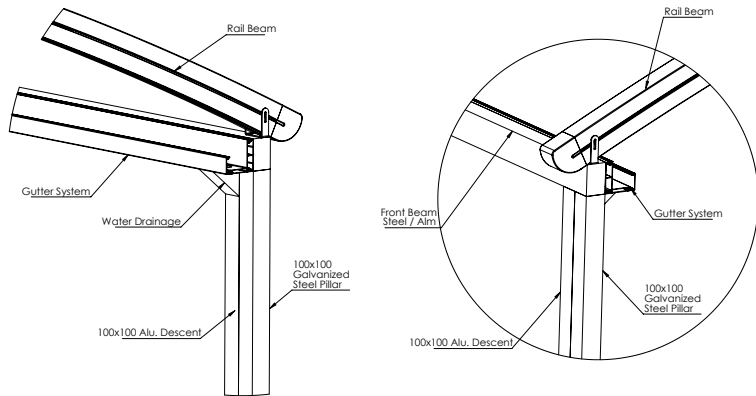
TECHNICAL DETAILS

WATER DRAIN&GUTTER CALCULATION

PRODUCT TYPE	MAX. M ²	USED PRODUCT TYPE
WATER DRAINAGE 45	34m ²	1200 Series Standard
WATER DRAINAGE 65	42m ²	Standard

*There should be at least one drainage, each 8 m length gutter.

APPLICATION FORM IN STEEL FRONT BEAM AND DEVICE



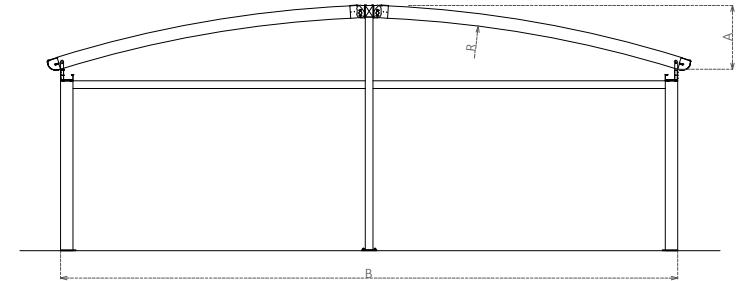
* In use of aluminum front pillar of 100*100 and front beam of 100*150 water drain, is applied from the available pillar. No external descent is applied.

RADIUS CHART

RADIUS	650	850	1500
--------	-----	-----	------

Projection	A			B
250	27			
300	32			
350	39			
400	47			
450	55	46		
500	65	54		
550	76	62		
600		71		
650		82		
700		93		
750		105	63	
800		118	69	
850		133	76	
900			84	
950			92	
1000			101	

*The values are approx. ± 5 cm



TERMS OF USE OF TWIN FRONT PILLAR AND BEAM

		PRODUCT WIDTH																	
		450	500	550	600	650	700	750	800	850	900	950	1000	1050	1100	1150	1200	1250	1300
PROJECTION	400	A	A	A	A	A	A	A	A	A	A	A	A	A	A	A	A	A	A
	450	A	A	A	A	A	A	A	A	A	A	A	A	A	A	A	A	A	A
	500	A	A	A	A	A	A	A	A	A	A	A	A	A	A	A	A	A	A
	550	A	A	A	A	A	A	A	A	A	A	A	A	A	A	A	A	A	A
	600	A	A	A	A	A	A	A	A	A	A	A	A	A	A	A	A	A	A
	650	A	A	A	A	A	A	A	A	A	A	A	A	A	A	A	A	A	A
	700	A	A	A	A	A	A	A	A	A	A	A	A	A	A	A	A	A	A
	750	B	B	B	B	B	B	B	B	B	B	B	B	B	B	B	B	B	B
	800	B	B	B	B	B	B	B	B	B	B	B	B	B	B	B	B	B	B
	850	B	B	B	B	B	B	B	B	B	B	B	B	B	B	B	B	B	B
	900	B	B	B	B	B	B	B	B	B	B	B	B	B	B	B	B	B	B
950	B	B	B	B	B	B	B	B	B	B	B	B	B	B	B	B	B	B	
1000	B	B	B	B	B	B	B	B	B	B	B	B	B	B	B	B	B	B	
GROUND FLANGE / ANCHOR PILLAR BEAM		A			STANDART 100*160 100*160 ALUMINUM 1600 GUTTER					B									
										200*200*10 FLANGE GAL 100*100*3MM GAL 100*150*3MM GAL									

* Twin front pillar and beam in the twin standing system is included in the price list.

* In non-standard applications, reducing pillar and using the beam by getting the support of the project managers should be evaluated according to the field conditions.

* Floor mounting of the pillar is performed with flange of 200*200*10 mm or ground anchor.

* Application is made behind the gutter system

* In the B-class applications, having the front struts made of steel, the external water outlet 100x100mm empty aluminum box is given from the profile.



T. STANDING SYSTEM WITH FRONT PILLAR D.M. (WITHOUT M. PILLAR)

		WIDTH																				FS4-L1600 (R97)		
		2 RAIL				3 RAIL								4 RAIL						5 RAIL				
		250 cm	300 cm	350 cm	400 cm	450 cm	500 cm	550 cm	600 cm	650 cm	700 cm	750 cm	800 cm	850 cm	900 cm	950 cm	1000 cm	1050 cm	1100 cm	1150 cm	1200 cm		1250 cm	1300 cm
PROJECTION	400 cm	€ 11.527	€ 12.076	€ 12.775	€ 13.552	€ 15.830	€ 16.391	€ 16.940	€ 17.689	€ 18.371	€ 18.842	€ 19.495	€ 20.242	€ 23.088	€ 23.630	€ 24.172	€ 24.714	€ 25.257	€ 25.794	€ 26.541	€ 26.977	€ 27.901	€ 28.439	€ 1.652
	450 cm	€ 11.926	€ 12.489	€ 13.203	€ 13.995	€ 16.414	€ 16.991	€ 17.553	€ 18.316	€ 19.012	€ 19.495	€ 20.162	€ 20.923	€ 23.920	€ 24.474	€ 25.032	€ 25.586	€ 26.141	€ 26.695	€ 27.456	€ 27.899	€ 28.837	€ 29.389	€ 1.773
	500 cm	€ 12.319	€ 12.895	€ 13.625	€ 14.429	€ 16.992	€ 17.581	€ 18.156	€ 18.932	€ 19.646	€ 20.136	€ 20.818	€ 21.591	€ 24.742	€ 25.310	€ 25.879	€ 26.449	€ 27.017	€ 27.583	€ 28.357	€ 28.813	€ 29.764	€ 30.330	€ 1.895
	550 cm	€ 12.994	€ 13.857	€ 14.658	€ 15.540	€ 18.284	€ 18.946	€ 19.797	€ 20.441	€ 21.433	€ 21.989	€ 22.739	€ 23.587	€ 26.847	€ 27.515	€ 28.187	€ 28.858	€ 29.705	€ 30.343	€ 31.187	€ 31.701	€ 32.722	€ 33.566	€ 2.017
	600 cm	€ 13.399	€ 14.276	€ 15.096	€ 15.988	€ 18.873	€ 19.550	€ 20.419	€ 21.077	€ 22.079	€ 22.647	€ 23.411	€ 24.273	€ 27.777	€ 28.429	€ 29.083	€ 29.736	€ 30.598	€ 31.249	€ 32.107	€ 32.632	€ 33.667	€ 34.525	€ 2.138
	650 cm	€ 13.793	€ 14.688	€ 15.518	€ 16.426	€ 19.450	€ 20.144	€ 21.027	€ 21.699	€ 22.715	€ 23.205	€ 23.977	€ 24.849	€ 28.595	€ 29.266	€ 29.938	€ 30.607	€ 31.374	€ 32.145	€ 33.017	€ 33.552	€ 34.599	€ 35.471	€ 2.260
	700 cm	€ 14.191	€ 15.096	€ 15.942	€ 16.865	€ 20.035	€ 20.742	€ 21.635	€ 22.324	€ 23.356	€ 23.849	€ 24.639	€ 25.525	€ 29.433	€ 30.113	€ 30.794	€ 31.475	€ 32.361	€ 33.041	€ 33.931	€ 34.471	€ 35.537	€ 36.419	€ 2.381
	750 cm	€ 14.587	€ 15.507	€ 16.367	€ 17.303	€ 20.619	€ 21.339	€ 22.246	€ 22.946	€ 23.995	€ 24.497	€ 25.297	€ 26.199	€ 30.263	€ 30.956	€ 31.652	€ 32.347	€ 33.246	€ 33.941	€ 34.841	€ 35.395	€ 36.472	€ 37.368	€ 2.503
	800 cm	€ 17.711	€ 18.566	€ 19.656	€ 20.863	€ 24.292	€ 25.160	€ 26.011	€ 27.176	€ 28.238	€ 28.964	€ 29.919	€ 31.081	€ 35.405	€ 36.242	€ 37.081	€ 37.920	€ 38.762	€ 39.594	€ 40.756	€ 41.428	€ 42.724	€ 43.557	€ 2.624
	850 cm	€ 18.033	€ 18.901	€ 20.002	€ 21.219	€ 24.761	€ 25.641	€ 26.503	€ 27.678	€ 28.750	€ 29.486	€ 30.452	€ 31.624	€ 36.067	€ 36.916	€ 37.767	€ 38.615	€ 39.466	€ 40.311	€ 41.484	€ 42.163	€ 43.469	€ 44.313	€ 2.746
900 cm	€ 18.356	€ 19.234	€ 20.346	€ 21.577	€ 25.228	€ 26.121	€ 26.992	€ 28.180	€ 29.262	€ 30.007	€ 30.985	€ 32.168	€ 36.730	€ 37.590	€ 38.451	€ 39.311	€ 40.169	€ 41.029	€ 42.213	€ 42.896	€ 44.212	€ 45.068	€ 2.909	
950 cm	€ 18.672	€ 19.563	€ 20.686	€ 21.928	€ 25.692	€ 26.595	€ 27.475	€ 28.674	€ 29.771	€ 30.521	€ 31.510	€ 32.705	€ 37.385	€ 38.255	€ 39.127	€ 39.997	€ 40.869	€ 41.736	€ 42.930	€ 43.623	€ 44.952	€ 45.819	€ 2.987	
1000 cm	€ 18.990	€ 19.891	€ 21.025	€ 22.279	€ 26.155	€ 27.069	€ 27.958	€ 29.169	€ 30.278	€ 31.036	€ 32.034	€ 33.239	€ 38.040	€ 38.920	€ 39.804	€ 40.685	€ 41.567	€ 42.442	€ 43.648	€ 44.353	€ 45.690	€ 46.569	€ 3.108	
FS5-A	€ 43	€ 54	€ 64	€ 73	€ 84	€ 93	€ 105	€ 114	€ 125	€ 135	€ 146	€ 155	€ 166	€ 176	€ 187	€ 196	€ 208	€ 217	€ 228	€ 237	€ 249	€ 258		
FS5-E	€ 59	€ 75	€ 88	€ 100	€ 116	€ 129	€ 144	€ 157	€ 173	€ 185	€ 201	€ 214	€ 229	€ 242	€ 257	€ 270	€ 286	€ 299	€ 314	€ 327	€ 342	€ 355		

FS5-A	Additional Fabric Support Profile (Standard)
FS4-L1600 (R97)	Additional Rail - Al. 110x160mm
FS8	Lighting System

FS8	
FS8-S	SPOT
FS8-L	LINEAR
FS8-LR	LINEAR (RGB)

LED TYPE & MODULE		
2 LED	3 LED	4 LED
€ 132	€ 160	€ 189
€ 189	€ 245	
€ 240	€ 311	

Notes:

- FS9-L1600 (Y64) Side Beam is included in the price for right and left side as a standard. For other option which is FS9 (Al. 50x150mm) doesn't apply any charge. But, please define on your technical drawing.
- If the projection is bigger than 700cm, a side beam pillar needs to be added up to rail, FS15-L1600-side beam pillar (100x100mm -Al) for 1600 series, included in the product price.
- FS Flexy Plain/3D or Stam 6002 is included in the price.
- Motor and Remote control is included in the price.
- Palmye Aluminium Coating Catalogue includes the standard colours with no extra cost. For any other type/brand/color of paint, price difference and additional delivery duration shall be checked from your customer representative.
- Standard "Fabric support profile plastic colors" are specified in our Aluminium coating catalogue.

DEDUCTIONS

Price deduction is applicable only for pillars and beam. Deduction amount shall be consider as 70% of related option price.

OPTIONS			
FS10-L1600 (ALM-16)	Extra pillar (100x160mm Al.) for L1600 series	€ 352	pcs
FS10	Extra pillar (100x100mm Al.)	€ 525	pcs
FS10-ST3	Extra pillar (100x100x3mm St.)	€ 653	pcs
FS10-ST5	Extra pillar (100x100x5mm St.)	€ 951	pcs
FS11	Deco ceiling cover	€ 73	m ²
FS13-A	Wavy ceiling cover (for flexy fabric) (up to 350 cm width)	€ 37	m ²
FS15	Side beam pillar (50x100mm- Al)	€ 272	pcs
FS15-L1600 (ALM-11)	Side beam pillar (100x100mm- Al) for L1600 series	€ 345	pcs
FS19	Fix louver	€ 72	lm
FS23	External Square Downpipe	€ 321	pcs
FS24	W96 Ceiling Cover	€ 84	m ²
FS26	Exclusive fabric difference (up to 800cm width)	€ 49	m ²
FS29-1	Sun Sensor (SUNIS) (for single motor)	€ 607	pcs
FS29-1S	Sun Sensor (SUNIS) (for synchronized motor)	€ 962	pcs
FS29-2	Wind Sensor (EOLIS RTS) (for single motor)	€ 284	pcs
FS29-2S	Wind Sensor (EOLIS RTS) (for synchronized motor)	€ 639	pcs
FS29-3	Sun and Wind Sensor (SOLIRIS RTS) (for single motor)	€ 322	pcs
FS29-3S	Sun and Wind Sensor (SOLIRIS RTS) (for synchronized motor)	€ 676	pcs
FS29-4	* Rain Sensor (ONDEIS) (for single motor)	€ 558	pcs
FS29-4S	* Rain Sensor (ONDEIS) (for synchronized motor)	€ 912	pcs
FS30	CONNEXOON	€ 510	pcs

EXTENSIONS		
L1600 Rail - 110x160mm	€ 262	lm
Beam Profile (Al. 42x150mm)	€ 102	lm
Beam Profile (Al. 50x150mm)	€ 180	lm
Beam Profile (Al. 100x150mm)	€ 150	lm
Beam Profile (St. 100x150x3mm)	€ 311	lm
Beam Profile (St. 100x150x5mm)	€ 377	lm
Beam Profile (St. 100x200x3mm)	€ 315	lm
Beam Profile (St. 100x200x5mm)	€ 448	lm
Fabric protection cover (Al. - 63x...cm)	€ 59	m ²
L1600 Gutter	€ 102	lm

*Max. Al. Front pillar (Al. 100x160mm) height is 280cm.

*Max. St 3mm. Front pillar (St. 100x100x3mm) height is 380cm.

*Max. St. 5mm Front pillar (St. 100x100x5mm) height is 480cm.

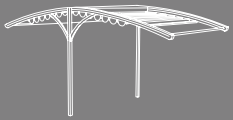
PRICE DIFFERENCE				
PILLAR GROUP				
Front Pillar	Standard	Al. 100x160mm		
	to	Al. 100x100mm	€ 173	pcs
		St. 100x100x3mm	€ 191	pcs
		St. 100x100x5mm	€ 497	pcs
		St. 150x150x3mm	€ 765	pcs
	St. 150x150x5mm	€ 1.252	pcs	
Back Pillar	Standard	Al. 100x100mm		
	to	St. 100x100x3mm	€ 108	pcs
		St. 100x100x5mm	€ 443	pcs
		St. 150x150x3mm	€ 677	pcs
		St. 150x150x5mm	€ 1.197	pcs

Notes:

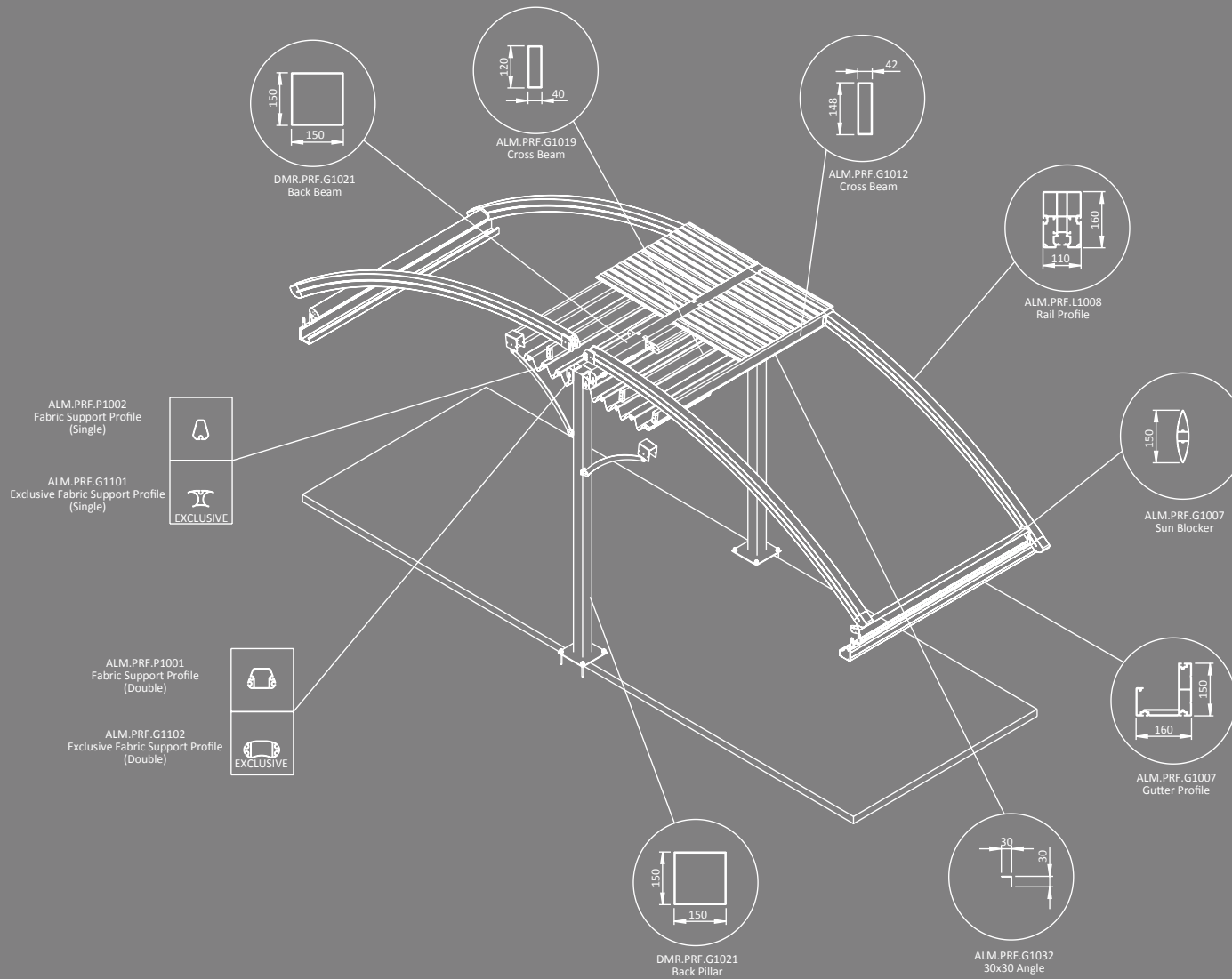
1. Fabric support profiles can be painted in the same color as the general construction. No fee is paid for this process. However, the plastic color should be specified from our standard plastic colours in Palmiye Colour Chart.

2. For one product, a dry contact transmitter costing 370€, must be added.

3. Up to 5 products, a RS485 Automation interface dry contact transmitter costing 1126€, must be added.



TWIN BRACKET SYSTEM TECHNICAL DETAILS



TECHNICAL DETAILS

WATER DRAIN&GUTTER CALCULATION

PRODUCT TYPE	MAX. M ²	USED PRODUCT TYPE
WATER DRAINAGE 45	34m ²	1200 Series Standard
WATER DRAINAGE 65	42m ²	Standard

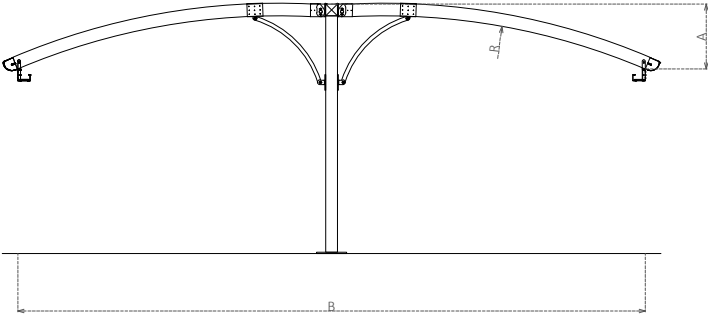
*There should be at least one drainage, each 8 m length gutter.

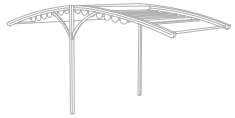
RADIUS CHART

RADIUS	650	850	1500
--------	-----	-----	------

Projection	A			B
300	41			
400	58			
500	81	65		
600		85		
700		109		
800		137	83	

*The values are approx. ± 5 cm





TWIN BRACKET SYSTEM

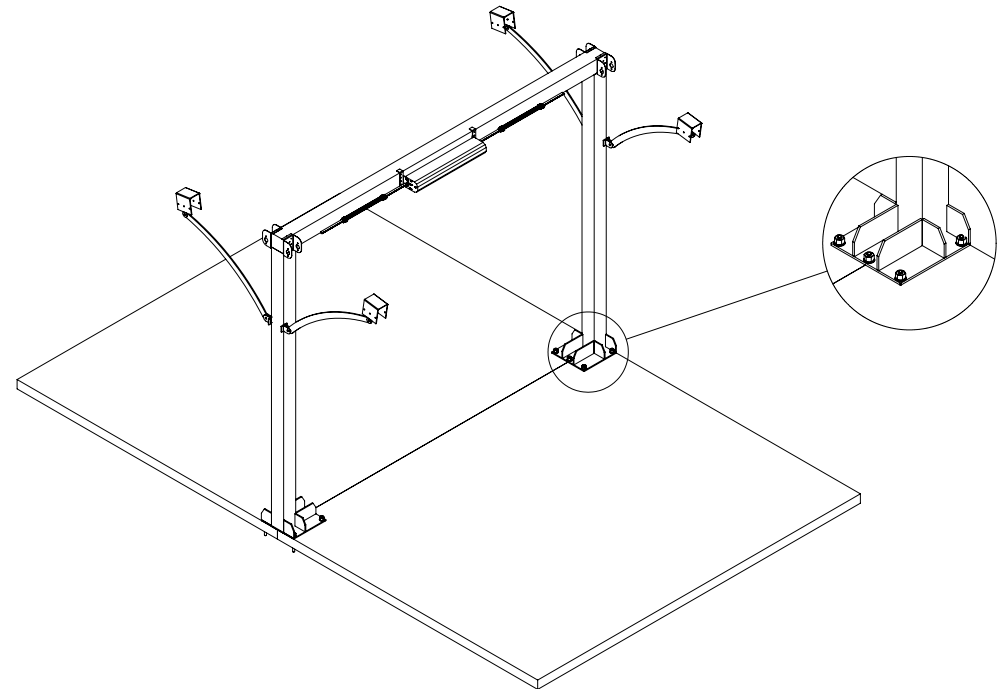
		WIDTH			
		2 RAIL			
		250 cm	300 cm	350 cm	400 cm
PROJECTION	400 cm	€ 11.306	€ 11.836	€ 12.511	€ 13.260
	450 cm	€ 11.681	€ 12.225	€ 12.916	€ 13.679
	500 cm	€ 12.051	€ 12.609	€ 13.312	€ 14.090
	550 cm	€ 12.696	€ 13.529	€ 14.304	€ 15.153
	600 cm	€ 13.078	€ 13.925	€ 14.717	€ 15.577
	650 cm	€ 13.449	€ 14.314	€ 15.115	€ 15.990
	700 cm	€ 13.824	€ 14.700	€ 15.514	€ 16.407
	750 cm	€ 14.198	€ 15.089	€ 15.917	€ 16.820
	800 cm	€ 17.204	€ 18.031	€ 19.083	€ 20.249
G22		€ 244	€ 252	€ 274	€ 303
FS5-A		€ 43	€ 54	€ 64	€ 73
FS5-E		€ 59	€ 75	€ 88	€ 100

G22	L1600 Gutter system (One side)
FS5-A	Additional Fabric Support Profile (Standard)
FS8	Lighting System

		LED TYPE & MODULE		
FS8		2 LED	3 LED	4 LED
FS8-S	SPOT	€ 132	€ 160	€ 189
FS8-L	LINEAR	€ 189	€ 245	
FS8-LR	LINEAR (RGB)	€ 240	€ 311	

Notes:

1. Modules can not be combined.
2. Side beam is not applicable
3. FS Flexy Plain/3D or Stam 6002 is included in the price.
4. Motor and Remote control is included in the price.
5. Palmiye Aluminium Coating Catalogue includes the standard colours with no extra cost. For any other type/brand/color of paint, price difference and additional delivery duration shall be checked from your customer representative.
6. Standard "Fabric support profile plastic colors" are specified in our Aluminium coating catalogue.



- * Distance between two pillars depends on the system width.
- * For the systems with 2 units next to each other, one of the pillars in the middle will be removed.
- * Strut support apparatus is used under each rail.
- * Pillar and beam are used as 150*150*3mm in standard.

DEDUCTIONS

Price deduction is applicable only for back pillars and back beam. Deduction amount shall be consider as 70% of related option price.

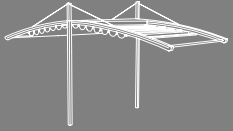
OPTIONS			
FS10-L1600 (ALM-16)	Extra pillar (100x160mm Al.) for L1600 series	€ 352	pcs
FS10	Extra pillar (100x100mm Al.)	€ 525	pcs
FS10-ST3	Extra pillar (100x100x3mm St.)	€ 653	pcs
FS10-ST5	Extra pillar (100x100x5mm St.)	€ 951	pcs
FS11	Deco ceiling cover	€ 73	m ²
FS13-A	Wavy ceiling cover (for flexy fabric) (up to 350 cm width)	€ 37	m ²
FS15	Side beam pillar (50x100mm- Al)	€ 272	pcs
FS15-L1600 (ALM-11)	Side beam pillar (100x100mm- Al) for L1600 series	€ 345	pcs
FS19	Fix louver	€ 72	lm
FS23	External Square Downpipe	€ 321	pcs
FS24	W96 Ceiling Cover	€ 84	m ²
FS26	Exclusive fabric difference (up to 800cm width)	€ 49	m ²
FS28-1	Stainless steel chain- 100 cm	€ 76	1m
FS28-2	Stainless steel chain- 200 cm	€ 149	2m
FS28-3	Stainless steel chain- 300 cm	€ 223	3m
FS28-4	Stainless steel chain- 400 cm	€ 297	4m
FS29-1	Sun Sensor (SUNIS) (for single motor)	€ 607	pcs
FS29-2	Wind Sensor (EOLIS RTS) (for single motor)	€ 284	pcs
FS29-3	Sun and Wind Sensor (SOLIRIS RTS) (for single motor)	€ 322	pcs
FS29-4	* Rain Sensor (ONDEIS) (for single motor)	€ 558	pcs
FS30	CONNEXOON	€ 510	pcs
FS10-150ST5-H	Extra half pillar (150x150x5mm St.)	€ 205	pcs
FS10-150ST3	Extra pillar (150x150x3mm St.)	€ 1.217	pcs
FS10-150ST5	Extra pillar (150x150x5mm St.)	€ 1.702	pcs

EXTENSIONS		
L1600 Rail - 110x160mm	€ 262	lm
Beam Profile (St. 150x150x3mm)	€ 427	lm
Beam Profile (St. 150x150x5mm)	€ 599	lm
Fabric protection cover (Al. - 63x__cm)	€ 59	m ²
L1600 Gutter	€ 102	lm

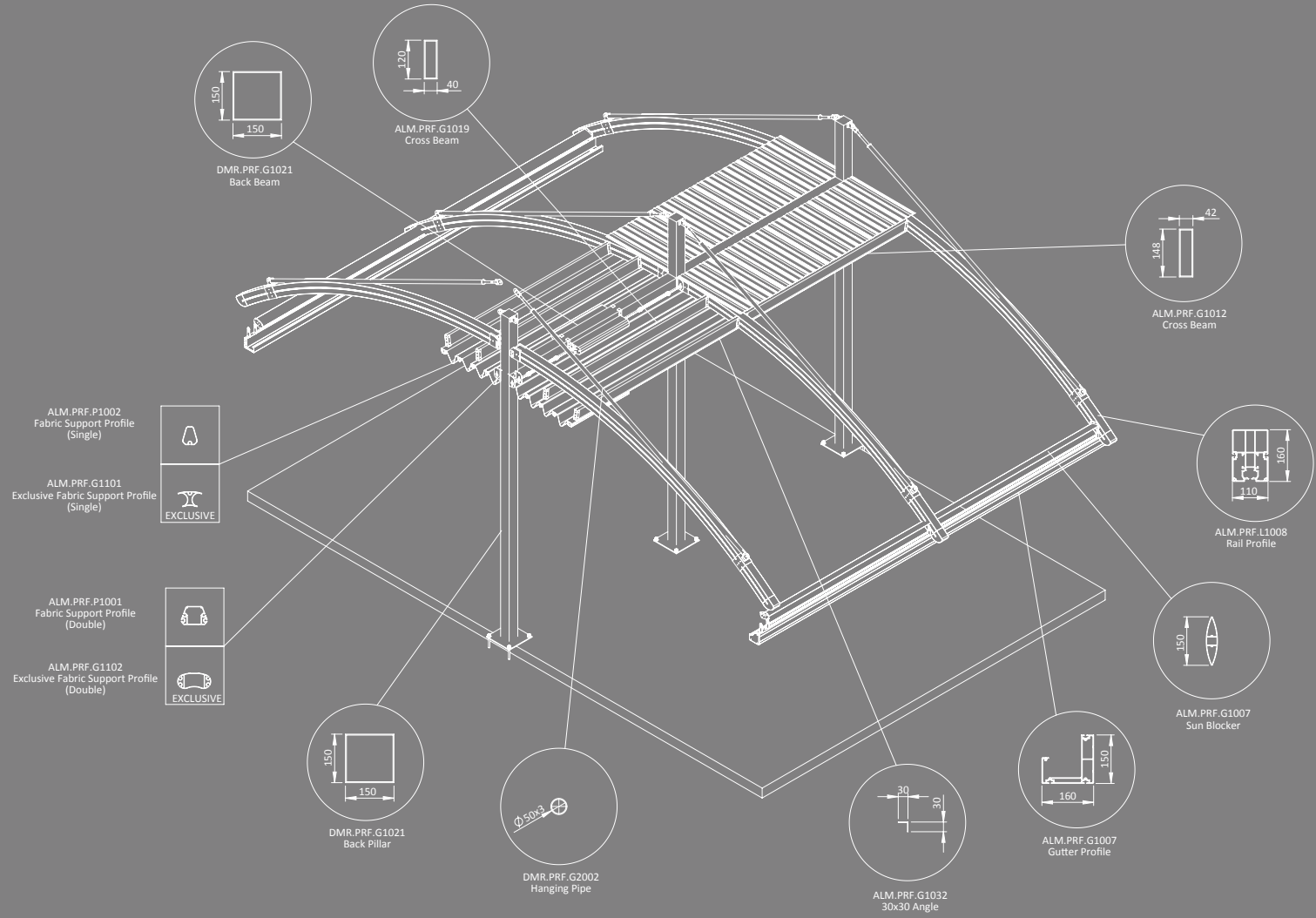
PRICE DIFFERENCE			
BEAM GROUP			
Beam	Standard	St. 150x150x3mm	
	to	St. 150x150x5mm	€ 88 lm
PILLAR GROUP			
Pillar	Standard	St. 150x150x3mm	
	to	St. 150x150x5mm	€ 520 pcs

Notes:

1. Fabric support profiles can be painted in the same color as the general construction. No fee is paid for this process. However, the plastic color should be specified from our standard plastic colours in Palmiye Color Chart.
2. For one product, a dry contact transmitter costing 370€, must be added.
3. Up to 5 products, a RS485 Automation interface dry contact transmitter costing 1126€, must be added.
4. The prices in the main table are for wall mounted products. This model also can be made as freestanding. For freestanding applications "FS10-150ST3" or "FS10-150ST5" pillar options and "St. 150x150x3mm" or "St. 150x150x5mm" back beam options should be added to the main prices.



TWIN HANGING SYSTEM



TECHNICAL DETAILS

WATER DRAIN&GUTTER CALCULATION

PRODUCT TYPE	MAX. M ²	USED PRODUCT TYPE
WATER DRAINAGE 45	34m ²	1200 Series Standard
WATER DRAINAGE 65	42m ²	Standard

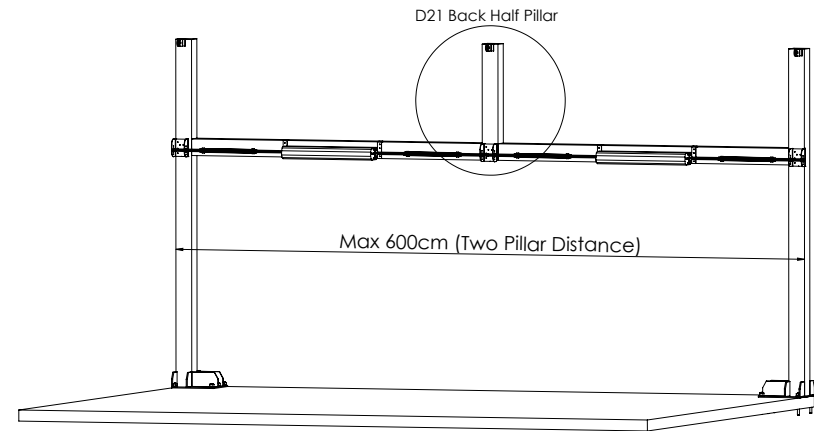
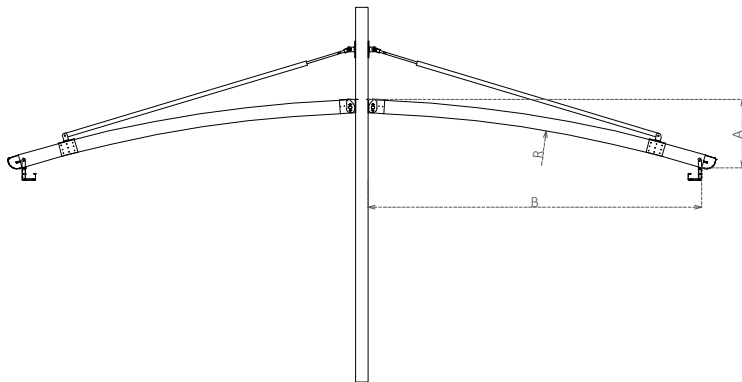
*There should be at least one drainage, each 8 m length gutter.

RADIUS CHART

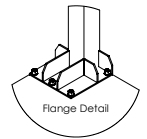
RADIUS	650	850	1500
--------	-----	-----	------

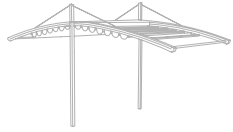
Projection	A			B
300	41			
400	58			
500	81	65		
600		85		
700		109		
800		137	83	
900			100	
1000			118	
1100			139	
1200			161	

*The values are approx. ± 5 cm



- This model includes 3m steel back beam and pillars.
- The front beam can not be produced in steel.
- Ground flanges are 380x380x15 mm.
- When pillar reduction is applied, half pillar must be installed at the back of each rail shaft, and all steel pillars should be 150x150x5 mm.
- In condition of adding an additional rail, a steel 150x150x3m back pillar should also be added.





TWIN HANGING SYSTEM

WIDTH																						FS4-L1600 (R97)	
PROJECTION	2 RAIL					3 RAIL									4 RAIL								
	250 cm	300 cm	350 cm	400 cm	450 cm	500 cm	550 cm	600 cm	650 cm	700 cm	750 cm	800 cm	850 cm	900 cm	950 cm	1000 cm	1050 cm	1100 cm	1150 cm	1200 cm	1250 cm		1300 cm
400 cm	€ 11.748	€ 12.292	€ 12.982	€ 13.742	€ 15.775	€ 16.810	€ 17.342	€ 18.079	€ 18.748	€ 19.201	€ 19.735	€ 20.468	€ 23.079	€ 23.601	€ 24.665	€ 25.190	€ 25.720	€ 26.239	€ 26.972	€ 27.391	€ 28.046	€ 28.568	€ 1.652
450 cm	€ 12.144	€ 12.704	€ 13.408	€ 14.183	€ 16.360	€ 17.409	€ 17.956	€ 18.706	€ 19.391	€ 19.856	€ 20.402	€ 21.150	€ 23.912	€ 24.451	€ 25.530	€ 26.068	€ 26.609	€ 27.146	€ 27.894	€ 28.318	€ 28.987	€ 29.523	€ 1.773
500 cm	€ 12.532	€ 13.108	€ 13.826	€ 14.616	€ 16.938	€ 18.002	€ 18.559	€ 19.324	€ 20.026	€ 20.497	€ 21.060	€ 21.821	€ 24.738	€ 25.291	€ 26.382	€ 26.934	€ 27.490	€ 28.038	€ 28.799	€ 29.238	€ 29.921	€ 30.472	€ 1.895
550 cm	€ 13.210	€ 14.077	€ 14.868	€ 15.735	€ 18.239	€ 19.378	€ 20.217	€ 20.846	€ 21.832	€ 22.371	€ 23.004	€ 23.839	€ 26.868	€ 27.523	€ 28.718	€ 29.373	€ 30.210	€ 30.834	€ 31.665	€ 32.163	€ 32.918	€ 33.749	€ 2.017
600 cm	€ 13.612	€ 14.494	€ 15.303	€ 16.181	€ 18.830	€ 19.983	€ 20.841	€ 21.484	€ 22.479	€ 23.029	€ 23.678	€ 24.528	€ 27.804	€ 28.442	€ 29.620	€ 30.256	€ 31.108	€ 31.746	€ 32.592	€ 33.099	€ 33.866	€ 34.713	€ 2.138
650 cm	€ 14.004	€ 14.903	€ 15.724	€ 16.616	€ 19.406	€ 20.578	€ 21.450	€ 22.106	€ 23.117	€ 23.587	€ 24.243	€ 25.104	€ 28.627	€ 29.283	€ 30.477	€ 31.133	€ 31.888	€ 32.647	€ 33.508	€ 34.024	€ 34.806	€ 35.667	€ 2.260
700 cm	€ 14.398	€ 15.309	€ 16.143	€ 17.055	€ 19.993	€ 21.175	€ 22.058	€ 22.733	€ 23.757	€ 24.234	€ 24.907	€ 25.781	€ 29.468	€ 30.133	€ 31.340	€ 32.005	€ 32.883	€ 33.548	€ 34.426	€ 34.951	€ 35.749	€ 36.621	€ 2.381
750 cm	€ 14.793	€ 15.717	€ 16.567	€ 17.490	€ 20.576	€ 21.773	€ 22.671	€ 23.356	€ 24.398	€ 24.883	€ 25.567	€ 26.455	€ 30.302	€ 30.982	€ 32.203	€ 32.881	€ 33.773	€ 34.453	€ 35.342	€ 35.879	€ 36.689	€ 37.574	€ 2.503
800 cm	€ 17.958	€ 18.815	€ 19.899	€ 21.099	€ 24.300	€ 25.649	€ 26.486	€ 27.645	€ 28.698	€ 29.413	€ 30.252	€ 31.408	€ 35.519	€ 36.344	€ 37.709	€ 38.536	€ 39.367	€ 40.188	€ 41.342	€ 42.000	€ 43.033	€ 43.855	€ 2.624
850 cm	€ 18.276	€ 19.146	€ 20.241	€ 21.451	€ 24.766	€ 26.126	€ 26.976	€ 28.146	€ 29.210	€ 29.934	€ 30.786	€ 31.951	€ 36.183	€ 37.018	€ 38.395	€ 39.232	€ 40.073	€ 40.907	€ 42.073	€ 42.737	€ 43.780	€ 44.612	€ 2.746
900 cm	€ 18.592	€ 19.475	€ 20.581	€ 21.804	€ 25.232	€ 26.603	€ 27.464	€ 28.645	€ 29.722	€ 30.453	€ 31.318	€ 32.493	€ 36.846	€ 37.693	€ 39.082	€ 39.929	€ 40.779	€ 41.627	€ 42.804	€ 43.472	€ 44.528	€ 45.371	€ 2.909
950 cm	€ 18.905	€ 19.799	€ 20.918	€ 22.152	€ 25.693	€ 27.077	€ 27.945	€ 29.139	€ 30.228	€ 30.967	€ 31.841	€ 33.029	€ 37.501	€ 38.360	€ 39.759	€ 40.618	€ 41.479	€ 42.334	€ 43.523	€ 44.203	€ 45.269	€ 46.124	€ 2.987
1000 cm	€ 19.217	€ 20.122	€ 21.252	€ 22.499	€ 26.153	€ 27.548	€ 28.426	€ 29.631	€ 30.735	€ 31.479	€ 32.364	€ 33.563	€ 38.157	€ 39.027	€ 40.437	€ 41.307	€ 42.179	€ 43.044	€ 44.243	€ 44.932	€ 46.011	€ 46.876	€ 3.108
1050 cm	€ 19.530	€ 20.446	€ 21.589	€ 22.845	€ 26.614	€ 28.022	€ 28.907	€ 30.122	€ 31.241	€ 31.991	€ 32.888	€ 34.099	€ 38.812	€ 39.693	€ 41.115	€ 41.996	€ 42.879	€ 43.751	€ 44.961	€ 45.663	€ 46.751	€ 47.629	€ 3.230
1100 cm	€ 19.843	€ 20.770	€ 21.923	€ 23.192	€ 27.075	€ 28.493	€ 29.387	€ 30.614	€ 31.748	€ 32.504	€ 33.411	€ 34.632	€ 39.468	€ 40.360	€ 41.791	€ 42.685	€ 43.579	€ 44.461	€ 45.682	€ 46.393	€ 47.493	€ 48.382	€ 3.350
1150 cm	€ 20.153	€ 21.093	€ 22.260	€ 23.539	€ 27.536	€ 28.965	€ 29.868	€ 31.106	€ 32.254	€ 33.016	€ 33.936	€ 35.168	€ 40.122	€ 41.025	€ 42.470	€ 43.373	€ 44.280	€ 45.168	€ 46.400	€ 47.124	€ 48.234	€ 49.133	€ 3.473
1200 cm	€ 20.466	€ 21.419	€ 22.594	€ 23.887	€ 27.996	€ 29.439	€ 30.349	€ 31.598	€ 32.759	€ 33.528	€ 34.459	€ 35.702	€ 40.779	€ 41.693	€ 43.148	€ 44.062	€ 44.980	€ 45.877	€ 47.120	€ 47.854	€ 48.976	€ 49.886	€ 3.592

G22	€ 244	€ 252	€ 274	€ 303	€ 331	€ 353	€ 380	€ 404	€ 430	€ 454	€ 584	€ 610	€ 637	€ 659	€ 688	€ 714	€ 738	€ 764	€ 788	€ 815	€ 839	€ 865
FS5-A	€ 43	€ 54	€ 64	€ 73	€ 84	€ 93	€ 105	€ 114	€ 125	€ 135	€ 146	€ 155	€ 166	€ 176	€ 187	€ 196	€ 208	€ 217	€ 228	€ 237	€ 249	€ 258
FS5-E	€ 59	€ 75	€ 88	€ 100	€ 116	€ 129	€ 144	€ 157	€ 173	€ 185	€ 201	€ 214	€ 229	€ 242	€ 257	€ 270	€ 286	€ 299	€ 314	€ 327	€ 342	€ 355

G22	L1600 Gutter system (One side)
FS5-A	Additional Fabric Support Profile (Standard)
FS4-L1600 (R97)	Additional Rail - Al. 110x160mm
FS8	Lighting System

FS8	
FS8-S	SPOT
FS8-L	LINEAR
FS8-LR	LINEAR (RGB)

LED TYPE & MODULE		
2 LED	3 LED	4 LED
€ 132	€ 160	€ 189
€ 189	€ 245	
€ 240	€ 311	

Notes:

- FS Flexy Plain/3D or Stam 6002 is included in the price.
- Motor and Remote control is included in the price.
- Palmiye Aluminium Coating Catalogue includes the standard colours with no extra cost. For any other type/brand/color of paint, price difference and additional delivery duration shall be checked from your customer representative.
- Standard "Fabric support profile plastic colors" are specified in our Aluminium coating catalogue.

DEDUCTIONS

Price deduction is applicable only for back pillars and back beam. Deduction amount shall be consider as 70% of related option price.

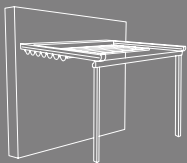
OPTIONS			
FS10-L1600 (ALM-16)	Extra pillar (100x160mm Al.) for L1600 series	€ 352	pcs
FS10	Extra pillar (100x100mm Al.)	€ 525	pcs
FS10-ST3	Extra pillar (100x100x3mm St.)	€ 653	pcs
FS10-ST5	Extra pillar (100x100x5mm St.)	€ 951	pcs
FS11	Deco ceiling cover	€ 73	m ²
FS13-A	Wavy ceiling cover (for flexy fabric) (up to 350 cm width)	€ 37	m ²
FS15	Side beam pillar (50x100mm - Al)	€ 272	pcs
FS15-L1600 (ALM-11)	Side beam pillar (100x100mm - Al) for L1600 series	€ 345	pcs
FS19	Fix louver	€ 72	lm
FS23	External Square Downpipe	€ 321	pcs
FS24	W96 Ceiling Cover	€ 84	m ²
FS26	Exclusive fabric difference (up to 800cm width)	€ 49	m ²
FS28-1	Stainless steel chain - 100 cm	€ 76	1m
FS28-2	Stainless steel chain - 200 cm	€ 149	2m
FS28-3	Stainless steel chain - 300 cm	€ 223	3m
FS28-4	Stainless steel chain - 400 cm	€ 297	4m
FS29-1	Sun Sensor (SUNIS) (for single motor)	€ 607	pcs
FS29-2	Wind Sensor (EOLIS RTS) (for single motor)	€ 284	pcs
FS29-3	Sun and Wind Sensor (SOLIRIS RTS) (for single motor)	€ 322	pcs
FS29-4	* Rain Sensor (ONDEIS) (for single motor)	€ 558	pcs
FS30	CONNEXOON	€ 510	pcs
FS10-150ST5-H	Extra half pillar (150x150x5mm St.)	€ 205	pcs
FS10-150ST3	Extra pillar (150x150x3mm St.)	€ 1.217	pcs
FS10-150ST5	Extra pillar (150x150x5mm St.)	€ 1.702	pcs

EXTENSIONS		
L1600 Rail - 110x160mm	€ 262	lm
Beam Profile (St. 150x150x3mm)	€ 427	lm
Beam Profile (St. 150x150x5mm)	€ 599	lm
Fabric protection cover (Al. - 63x___cm)	€ 59	m ²
L1600 Gutter	€ 102	lm

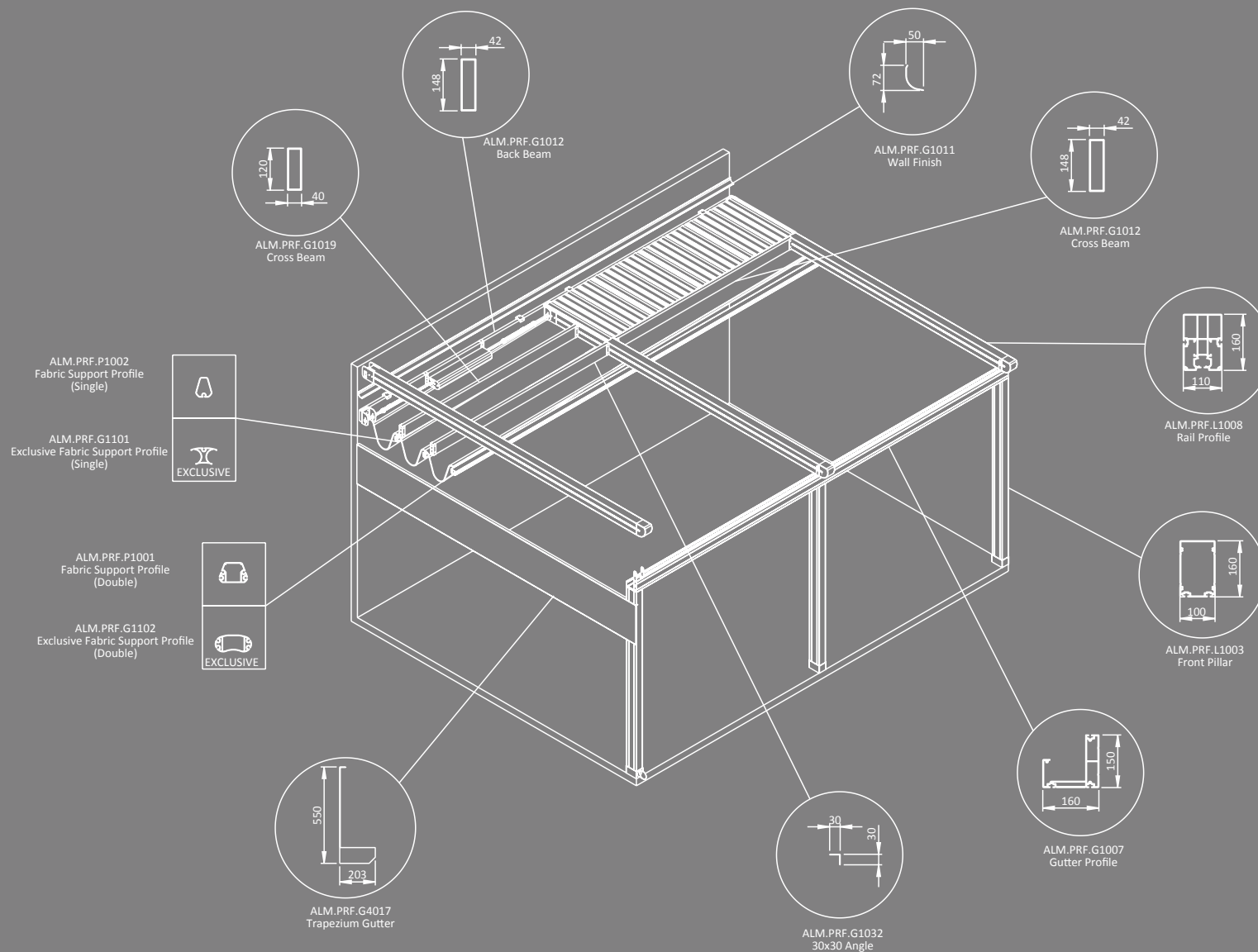
PRICE DIFFERENCE				
BEAM GROUP				
Beam	Standard	St. 150x150x3mm		
	to	St. 150x150x5mm	€ 88	lm
PILLAR GROUP				
Pillar	Standard	St. 150x150x3mm		
	to	St. 150x150x5mm	€ 520	pcs

Notes:

1. Fabric support profiles can be painted in the same color as the general construction. No fee is paid for this process. However, the plastic color should be specified from our standard plastic colours in Palmiye Color Chart.
2. For one product, a dry contact transmitter costing 370€, must be added.
3. Up to 5 products, a RS485 Automation interface dry contact transmitter costing 1126€, must be added.
4. The prices in the main table are for wall mounted products. This model also can be made as freestanding. For freestanding applications "FS10-150ST3" or "FS10-150ST5" pillar options and "St. 150x150x3mm" or "St. 150x150x5mm" back beam options should be added to the main prices.



STANDING SYSTEM WITH FRONT PILLAR



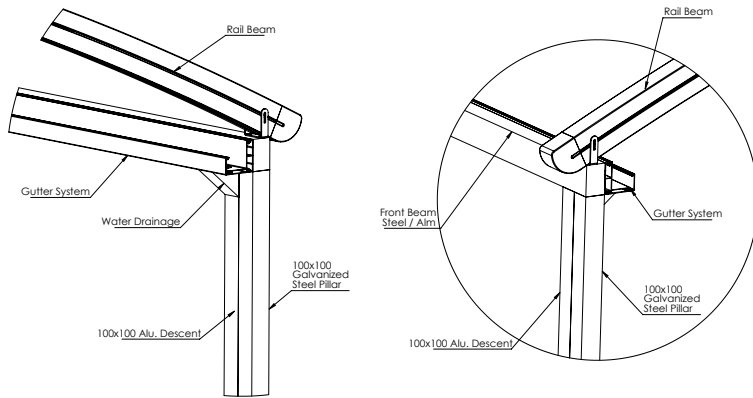
TECHNICAL DETAILS

WATER DRAIN&GUTTER CALCULATION

PRODUCT TYPE	MAX. M ²	USED PRODUCT TYPE
WATER DRAINAGE 45	34m ²	1200 Series Standard
WATER DRAINAGE 65	42m ²	Standard

*There should be at least one drainage, each 8 m length gutter.

APPLICATION FORM IN STEEL FRONT BEAM AND DEVICE



* In use of aluminum front pillar of 100*100 and front beam of 100*150 water drain, is applied from the available pillar. No external descent is applied.

BACK BEAM PROFILE TYPE (INCLUDED IN PERGOLA PRICE)

		PRODUCT WIDTH					
		FROM 200CM TO 800CM					
PROJECTION	200	E	E	E	E	E	E
	600	E	E	E	E	E	E
	800	E	E	E	E	E	E
BACK BEAM		E	42*150 ALU				

* Utilization table of back beam is included in the list price.

FRONT PILLAR REDUCTION CONDITIONS

		OUT TO OUT PILLAR SIZE					
		450	500	600	700	750	800
PROJECTION	400	A	A	B	B	C	C
	500	A	A	B	B	C	C
	600	A	A	B	B	C	C
	700	A	A	B	B	C	C
	800	A	A	B	B	C	C
F. PILLAR F. BEAM	A	100*100 ALU 100*150 ALU	B	100*100*3 G.S 100*150*3 G.S	C	100*100*5 G.S 100*200*5 G.S	

* The front pillar reduction use table should be additionally priced.

* Ground mounting is performed with flange of 200*200*10 mm or ground anchor of standard 1600 series 110*160.

* Application is made behind the gutter system.

* Maximum height is 400 cm for aluminum front pillars.

* Maximum height is 500 cm for steel front pillars.

* If front pillar and beam is made of steel, water drain is given from empty aluminum box profile of 100*100.



STANDING SYSTEM WITH FRONT PILLAR

WIDTH																
PROJECTION	2 RAIL				3 RAIL								FS4-L1600 (R97)	FS9-L1600 (Y64)	FS9	FS21
	250 cm	300 cm	350 cm	400 cm	450 cm	500 cm	550 cm	600 cm	650 cm	700 cm	750 cm	800 cm				
200 cm	€ 6.424	€ 6.780	€ 7.263	€ 7.756	€ 8.812	€ 9.172	€ 9.531	€ 9.891	€ 10.483	€ 10.801	€ 11.261	€ 11.617	€ 1.168	€ 240	€ 236	€ 385
250 cm	€ 6.758	€ 7.280	€ 7.767	€ 8.161	€ 9.250	€ 9.703	€ 10.229	€ 10.610	€ 11.087	€ 11.428	€ 11.911	€ 12.432	€ 1.289	€ 287	€ 284	€ 481
300 cm	€ 7.286	€ 7.874	€ 8.425	€ 8.885	€ 10.117	€ 10.632	€ 11.219	€ 11.664	€ 12.204	€ 12.602	€ 13.151	€ 13.732	€ 1.411	€ 337	€ 333	€ 578
350 cm	€ 7.772	€ 8.237	€ 8.812	€ 9.439	€ 10.777	€ 11.317	€ 11.787	€ 12.395	€ 12.961	€ 13.378	€ 13.949	€ 14.559	€ 1.530	€ 386	€ 381	€ 673
400 cm	€ 8.114	€ 8.604	€ 9.203	€ 9.854	€ 11.300	€ 11.864	€ 12.359	€ 12.991	€ 13.576	€ 14.019	€ 14.615	€ 15.243	€ 1.652	€ 435	€ 430	€ 770
450 cm	€ 8.463	€ 8.977	€ 9.601	€ 10.276	€ 11.832	€ 12.419	€ 12.939	€ 13.595	€ 14.205	€ 14.669	€ 15.287	€ 15.942	€ 1.773	€ 486	€ 479	€ 866
500 cm	€ 8.809	€ 9.347	€ 9.993	€ 10.691	€ 12.362	€ 12.972	€ 13.512	€ 14.191	€ 14.828	€ 15.311	€ 15.954	€ 16.631	€ 1.895	€ 535	€ 527	€ 963
550 cm	€ 9.349	€ 10.097	€ 10.806	€ 11.572	€ 13.381	€ 14.054	€ 14.797	€ 15.400	€ 16.240	€ 16.782	€ 17.487	€ 18.229	€ 2.017	€ 583	€ 576	€ 1.058
600 cm	€ 9.701	€ 10.474	€ 11.211	€ 11.997	€ 13.916	€ 14.615	€ 15.384	€ 16.011	€ 16.872	€ 17.435	€ 18.165	€ 18.929	€ 2.138	€ 632	€ 625	€ 1.156
650 cm	€ 10.049	€ 10.848	€ 11.605	€ 12.416	€ 14.447	€ 15.169	€ 15.962	€ 16.612	€ 17.496	€ 18.020	€ 18.769	€ 19.556	€ 2.260	€ 683	€ 673	€ 1.251
700 cm	€ 10.398	€ 11.218	€ 11.999	€ 12.836	€ 14.979	€ 15.724	€ 16.539	€ 17.215	€ 18.125	€ 18.666	€ 19.439	€ 20.249	€ 2.381	€ 732	€ 722	€ 1.346
750 cm	€ 10.747	€ 11.591	€ 12.397	€ 13.255	€ 15.513	€ 16.280	€ 17.119	€ 17.815	€ 18.752	€ 19.313	€ 20.108	€ 20.942	€ 2.503		€ 1.043	€ 1.444
800 cm	€ 11.287	€ 12.197	€ 13.067	€ 13.991	€ 16.390	€ 17.222	€ 18.125	€ 18.884	€ 19.882	€ 20.500	€ 21.358	€ 22.255	€ 2.624		€ 1.091	€ 1.539
FS5-A	€ 43	€ 54	€ 64	€ 73	€ 84	€ 93	€ 105	€ 114	€ 125	€ 135	€ 146	€ 155				
FS5-E	€ 59	€ 75	€ 88	€ 100	€ 116	€ 129	€ 144	€ 157	€ 173	€ 185	€ 201	€ 214				

included side beam pillar

FS5-A	Additional Fabric Support Profile (Standard)
FS4-L1600 (R97)	Additional Rail - Al. 110x160mm
FS9-L1600 (Y64)	Side Beam - Al. 100x100mm
FS9	Side Beam - Al. 50x150mm
FS8	Lighting System
FS21	Trapezium Gutter

FS8	
FS8-S	SPOT
FS8-L	LINEAR
FS8-LR	LINEAR (RGB)

LED TYPE & MODULE		
2 LED	3 LED	4 LED
€ 132	€ 160	€ 189
€ 189	€ 245	
€ 240	€ 311	

Notes:

- Any Side Beam is not included in the price.
- If side beam used and projection is bigger than 700 cm, a side beam pillar also needs to be added up to the rail. Price is included in FS9 side beam option price.
- FS Flexy Plain/3D or Stam 6002 Trapezium ceiling cover, Motor and Remote control are included in the price.
- Palmye Aluminium Coating Catalogue includes the standard colours with no extra cost. For any other type/brand/coulor of paint, price difference and additional delivery duration shall be checked from your customer representative.
- Standard "Fabric support profile plastic colors" are specified in our Aluminium coating catalogue.
- Optionally FS21 Trapezium Gutter can be added.
- Trapezium ceiling cover is included in the price.

DEDUCTIONS

Price deduction is applicable only for pillars and beam. Deduction amount shall be consider as 70% of related option price.

OPTIONS			
FS10-L1600 (ALM-16)	Extra pillar (100x160mm Al.) for L1600 series	€ 352	pcs
FS10	Extra pillar (100x100mm Al.)	€ 525	pcs
FS10-ST3	Extra pillar (100x100x3mm St.)	€ 653	pcs
FS10-ST5	Extra pillar (100x100x5mm St.)	€ 951	pcs
FS11	Deco ceiling cover	€ 73	m ²
FS13-A	Wavy ceiling cover (for flexy fabric) (up to 350 cm width)	€ 37	m ²
FS15	Side beam pillar (50x100mm- Al)	€ 272	pcs
FS15-L1600 (ALM-11)	Side beam pillar (100x100mm- Al) for L1600 series	€ 345	pcs
FS19	Fix louver	€ 72	lm
FS23	External Square Downpipe	€ 321	pcs
FS24	W96 Ceiling Cover	€ 84	m ²
FS29-1	Sun Sensor (SUNIS) (for single motor)	€ 607	pcs
FS29-1S	Sun Sensor (SUNIS) (for synchronized motor)	€ 962	pcs
FS29-2	Wind Sensor (EOLIS RTS) (for single motor)	€ 284	pcs
FS29-2S	Wind Sensor (EOLIS RTS) (for synchronized motor)	€ 639	pcs
FS29-3	Sun and Wind Sensor (SOLIRIS RTS) (for single motor)	€ 322	pcs
FS29-3S	Sun and Wind Sensor (SOLIRIS RTS) (for synchronized motor)	€ 676	pcs
FS29-4	* Rain Sensor (ONDEIS) (for single motor)	€ 558	pcs
FS29-4S	* Rain Sensor (ONDEIS) (for synchronized motor)	€ 912	pcs
FS30	CONNEXOON	€ 510	pcs

EXTENSIONS		
L1600 Rail - 110x160mm	€ 262	lm
Beam Profile (Al. 42x150mm)	€ 102	lm
Beam Profile (Al. 50x150mm)	€ 180	lm
Beam Profile (Al. 100x150mm)	€ 150	lm
Beam Profile (St. 100x150x3mm)	€ 311	lm
Beam Profile (St. 100x150x5mm)	€ 377	lm
Beam Profile (St. 100x200x3mm)	€ 315	lm
Beam Profile (St. 100x200x5mm)	€ 448	lm
Fabric protection cover (Al. - 63x___cm)	€ 59	m ²
L1600 Gutter	€ 102	lm

*Max. Al. Front pillar (Al. 100x160mm) height is 280cm

*Max. St 3mm. Front pillar (St. 100x100x3mm) height is 380cm

*Max. St. 5mm Front pillar (St. 100x100x5mm) height is 480cm

PRICE DIFFERENCE				
BEAM GROUP				
Back Beam	Standard	Al. 42x150mm		
	to	Al. 50x150mm	€ 78	lm
		St. 50x150x3mm	€ 101	lm
		St. 50x150x5mm	€ 187	lm
		Al. 100x150mm	€ 47	lm
		St. 100x150x3mm	€ 204	lm
		St. 100x150x5mm	€ 277	lm
		St. 100x200x3mm	€ 209	lm
		St. 100x200x5mm	€ 349	lm
		PILLAR GROUP		
Front Pillar		Standard	Al. 100x160mm	
	to	Al. 100x100mm	€ 173	pcs
		St. 100x100x3mm	€ 191	pcs
		St. 100x100x5mm	€ 497	pcs
		St. 150x150x3mm	€ 765	pcs
St. 150x150x5mm		€ 1.252	pcs	

Notes:

1. Fabric support profiles can be painted in the same color as the general construction. No fee is paid for this process. However, the plastic color should be specified from our standard plastic colours in Palmiye Color Chart.

2. For one product, a dry contact transmitter costing 370€, must be added.

3. Up to 5 products, a RS485 Automation interface dry contact transmitter costing 1126€, must be added.

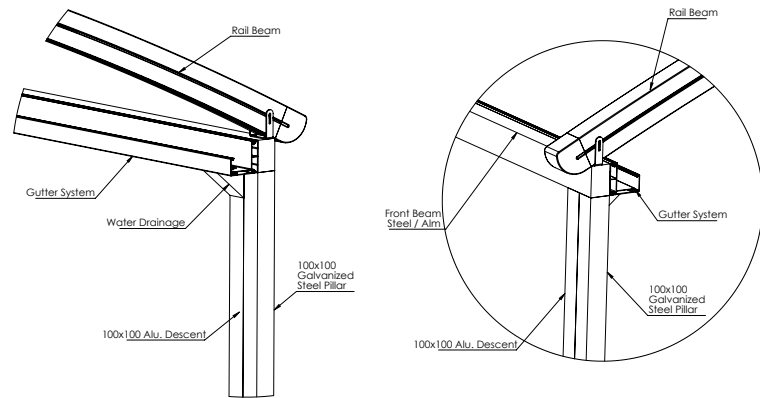
TECHNICAL DETAILS

WATER DRAIN&GUTTER CALCULATION

PRODUCT TYPE	MAX. M²	USED PRODUCT TYPE
WATER DRAINAGE 45	34m²	1200 Series Standard
WATER DRAINAGE 65	42m²	Standard

*There should be at least one drainage, each 8 m length gutter.

APPLICATION FORM IN STEEL FRONT BEAM AND DEVICE



* In use of aluminum front pillar of 100*100 and front beam of 100*150 water drain, is applied from the available pillar. No external descent is applied.

TERMS OF USE OF FRONT PILLAR AND BEAM

		OUT TO OUT PILLAR SIZE				
		450	550	600	650	700
PROJECTION	400	A	A	B	B	C
	500	A	A	B	B	C
	600	A	A	B	C	C
	700	A	B	B	C	C
F. PILLAR	A	100*100 ALU	B	100*100*3 G.S	C	100*100*5 G.S
F. BEAM		100*150 ALU		100*150*3 G.S		100*200*5 G.S

- * Use of front pillar and beam should be additionally priced.
- * Ground mounting of the pillar is performed with flange of 200*200*10 mm or ground anchor.
- * Application is made behind the gutter system.
- * Maximum height is 4m for aluminum front pillars and 5m for steel front pillars.
- * If front pillar and beam is made of steel, water drain is given from empty aluminum box profile of 100*100.

USE OF BACK PILLAR AND BACK BEAM (STANDARD)

		PRODUCT WIDTH							
		450	500	550	600	650	700	750	800
PROJECTION	400	A	A	A	A	A	A	A	A
	450	A	A	A	A	A	A	A	A
	500	A	A	A	A	A	A	A	A
	550	A	A	A	A	A	A	A	A
	600	A	A	A	A	A	A	A	A
	650	A	A	A	A	A	A	A	A
	700	A	A	A	A	A	A	A	A
	750	A	A	A	A	A	A	A	A
	800	A	A	A	A	A	A	A	A
GRD. FLANGE		200*200*10 FLA. ALU							
BACK PILLAR	A	100*100 ALU							
BACK BEAM		100*150 ALU							

* Utilization table of back beam and back pillar is included in the list price.

TERMS OF USE OF BACK PILLAR AND BACK BEAM

		OUT TO OUT PILLAR SIZE						
		450	500	550	600	700	750	800
PROJECTION	400	A	A	A	B	B	C	C
	500	A	A	B	B	B	C	C
	600	A	B	B	B	B	C	C
	700	A	B	B	B	B	C	C
	800	A	B	B	B	B	C	C
BACK PILLAR	A	100*100 ALU	B	100*100*3 G.S	C	100*100*5 G.S		
BACK BEAM		100*150 ALU		100*150*3 G.S		100*200*5 G.S		

- * Use of back pillar and beam should be additionally priced.
- * Floor mounting of the pillar is performed with flange of 200*200*10 mm or ground anchor.
- * Maximum height is 4m for aluminum back pillars and 5m for steel back pillars.



STANDING SYSTEM WITH FRONT AND BACK PILLAR

WIDTH												
PROJECTION	2 RAIL				3 RAIL							
	250 cm	300 cm	350 cm	400 cm	450 cm	500 cm	550 cm	600 cm	650 cm	700 cm	750 cm	800 cm
200 cm	€ 7.124	€ 7.492	€ 7.989	€ 8.495	€ 8.980	€ 10.254	€ 10.627	€ 11.000	€ 11.607	€ 11.939	€ 12.412	€ 12.782
250 cm	€ 7.455	€ 7.992	€ 8.492	€ 8.900	€ 10.319	€ 10.785	€ 11.325	€ 11.719	€ 12.211	€ 12.564	€ 13.062	€ 13.597
300 cm	€ 7.984	€ 8.587	€ 9.150	€ 9.624	€ 11.184	€ 11.714	€ 12.316	€ 12.774	€ 13.326	€ 13.739	€ 14.301	€ 14.897
350 cm	€ 8.470	€ 8.949	€ 9.539	€ 10.179	€ 11.845	€ 12.399	€ 12.884	€ 13.506	€ 14.086	€ 14.516	€ 15.101	€ 15.724
400 cm	€ 8.812	€ 9.315	€ 9.929	€ 10.594	€ 12.368	€ 12.946	€ 13.454	€ 14.101	€ 14.699	€ 15.157	€ 15.764	€ 16.409
450 cm	€ 9.162	€ 9.689	€ 10.327	€ 11.014	€ 12.901	€ 13.502	€ 14.034	€ 14.706	€ 15.329	€ 15.806	€ 16.439	€ 17.106
500 cm	€ 9.507	€ 10.059	€ 10.719	€ 11.430	€ 13.431	€ 14.054	€ 14.607	€ 15.301	€ 15.952	€ 16.449	€ 17.104	€ 17.794
550 cm	€ 10.047	€ 10.809	€ 11.532	€ 12.312	€ 14.449	€ 15.136	€ 15.892	€ 16.509	€ 17.364	€ 17.919	€ 18.637	€ 19.392
600 cm	€ 10.402	€ 11.187	€ 11.937	€ 12.737	€ 14.986	€ 15.697	€ 16.481	€ 17.119	€ 17.996	€ 18.572	€ 19.314	€ 20.094
650 cm	€ 10.747	€ 11.560	€ 12.331	€ 13.156	€ 15.515	€ 16.251	€ 17.059	€ 17.722	€ 18.619	€ 19.157	€ 19.921	€ 20.719
700 cm	€ 11.095	€ 11.929	€ 12.726	€ 13.576	€ 16.047	€ 16.806	€ 17.634	€ 18.324	€ 19.247	€ 19.802	€ 20.591	€ 21.414
750 cm	€ 11.445	€ 12.304	€ 13.122	€ 13.994	€ 16.581	€ 17.362	€ 18.214	€ 18.926	€ 19.876	€ 20.451	€ 21.259	€ 22.108
800 cm	€ 11.986	€ 12.909	€ 13.794	€ 14.731	€ 17.459	€ 18.304	€ 19.221	€ 19.994	€ 21.006	€ 21.636	€ 22.509	€ 23.418

FS5-A	€ 43	€ 54	€ 64	€ 73	€ 84	€ 93	€ 105	€ 114	€ 125	€ 135	€ 146	€ 155
FS5-E	€ 59	€ 75	€ 88	€ 100	€ 116	€ 129	€ 144	€ 157	€ 173	€ 185	€ 201	€ 214

FS4-L1600 (R97)	FS9-L1600 (Y64)	FS9	FS21
€ 1.168	€ 240	€ 236	€ 385
€ 1.289	€ 287	€ 284	€ 481
€ 1.411	€ 337	€ 333	€ 578
€ 1.530	€ 386	€ 381	€ 673
€ 1.652	€ 435	€ 430	€ 770
€ 1.773	€ 486	€ 479	€ 866
€ 1.895	€ 535	€ 527	€ 963
€ 2.017	€ 583	€ 576	€ 1.058
€ 2.138	€ 632	€ 625	€ 1.156
€ 2.260	€ 683	€ 673	€ 1.251
€ 2.381	€ 732	€ 722	€ 1.346
€ 2.503		€ 1.043	€ 1.444
€ 2.624		€ 1.091	€ 1.539

included side beam pillar

FS5-A	Additional Fabric Support Profile (Standard)
FS4-L1600 (R97)	Additional Rail - Al. 110x160mm
FS9-L1600 (Y64)	Side Beam for L1600 Series - Al. - 100x100mm
FS9 (Y65)	Side Beam- Al. - 50x150mm
FS8	Lighting System
FS21	Trapezium Gutter

FS8	
FS8-S	SPOT
FS8-L	LINEAR
FS8-LR	LINEAR (RGB)

LED TYPE & MODULE		
2 LED	3 LED	4 LED
€ 132	€ 160	€ 189
€ 189	€ 245	
€ 240	€ 311	

Notes:

- Any Side Beam is not included in the price.
- If side beam used and projection is bigger than 700 cm, a side beam pillar also needs to be added up to the rail. Price is included in FS9 side beam option price.
- FS Flexy Plain/3D or Stam 6002 Trapezium ceiling cover, Motor and Remote control are included in the price.
- Palmiye Aluminium Coating Catalogue includes the standard colours with no extra cost. For any other type/brand/color of paint, price difference and additional delivery duration shall be checked from your customer representative.
- Standard "Fabric support profile plastic colors" are specified in our Aluminium coating catalogue.
- Trapezium ceiling cover is included in the price.

DEDUCTIONS

Price deduction is applicable only for front & back pillars and side beam. Deduction amount shall be consider as 70% of related option price.

OPTIONS			
FS10-L1600 (ALM-16)	Extra pillar (100x160mm Al.) for L1600 series	€ 352	pcs
FS10	Extra pillar (100x100mm Al.)	€ 525	pcs
FS10-ST3	Extra pillar (100x100x3mm St.)	€ 653	pcs
FS10-ST5	Extra pillar (100x100x5mm St.)	€ 951	pcs
FS11	Deco ceiling cover	€ 73	m ²
FS13-A	Wavy ceiling cover (for flexy fabric) (up to 350 cm width)	€ 37	m ²
FS15	Side beam pillar (50x100mm- Al)	€ 272	pcs
FS15-L1600 (ALM-11)	Side beam pillar (100x100mm- Al) for L1600 series	€ 345	pcs
FS19	Fix louver	€ 72	lm
FS23	External Square Downpipe	€ 321	pcs
FS24	W96 Ceiling Cover	€ 84	m ²
FS29-1	Sun Sensor (SUNIS) (for single motor)	€ 607	pcs
FS29-1S	Sun Sensor (SUNIS) (for synchronized motor)	€ 962	pcs
FS29-2	Wind Sensor (EOLIS RTS) (for single motor)	€ 284	pcs
FS29-2S	Wind Sensor (EOLIS RTS) (for synchronized motor)	€ 639	pcs
FS29-3	Sun and Wind Sensor (SOLIRIS RTS) (for single motor)	€ 322	pcs
FS29-3S	Sun and Wind Sensor (SOLIRIS RTS) (for synchronized motor)	€ 676	pcs
FS29-4	* Rain Sensor (ONDEIS) (for single motor)	€ 558	pcs
FS29-4S	* Rain Sensor (ONDEIS) (for synchronized motor)	€ 912	pcs
FS30	CONNEXOON	€ 510	pcs

EXTENSIONS		
L1600 Rail - 110x160mm	€ 262	lm
Beam Profile (Al. 100x150mm)	€ 150	lm
Beam Profile (St. 100x150x3mm)	€ 311	lm
Beam Profile (St. 100x150x5mm)	€ 377	lm
Beam Profile (St. 100x200x3mm)	€ 315	lm
Beam Profile (St. 100x200x5mm)	€ 448	lm
Fabric protection cover (Al. - 63x___cm)	€ 59	m ²
L1600 Gutter	€ 102	lm

*Max. Al. Front pillar (Al. 100x160mm) height is 280cm

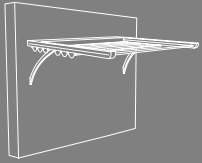
*Max. St 3mm. Front pillar (St. 100x100x3mm) height is 380cm

*Max. St. 5mm Front pillar (St. 100x100x5mm) height is 480cm

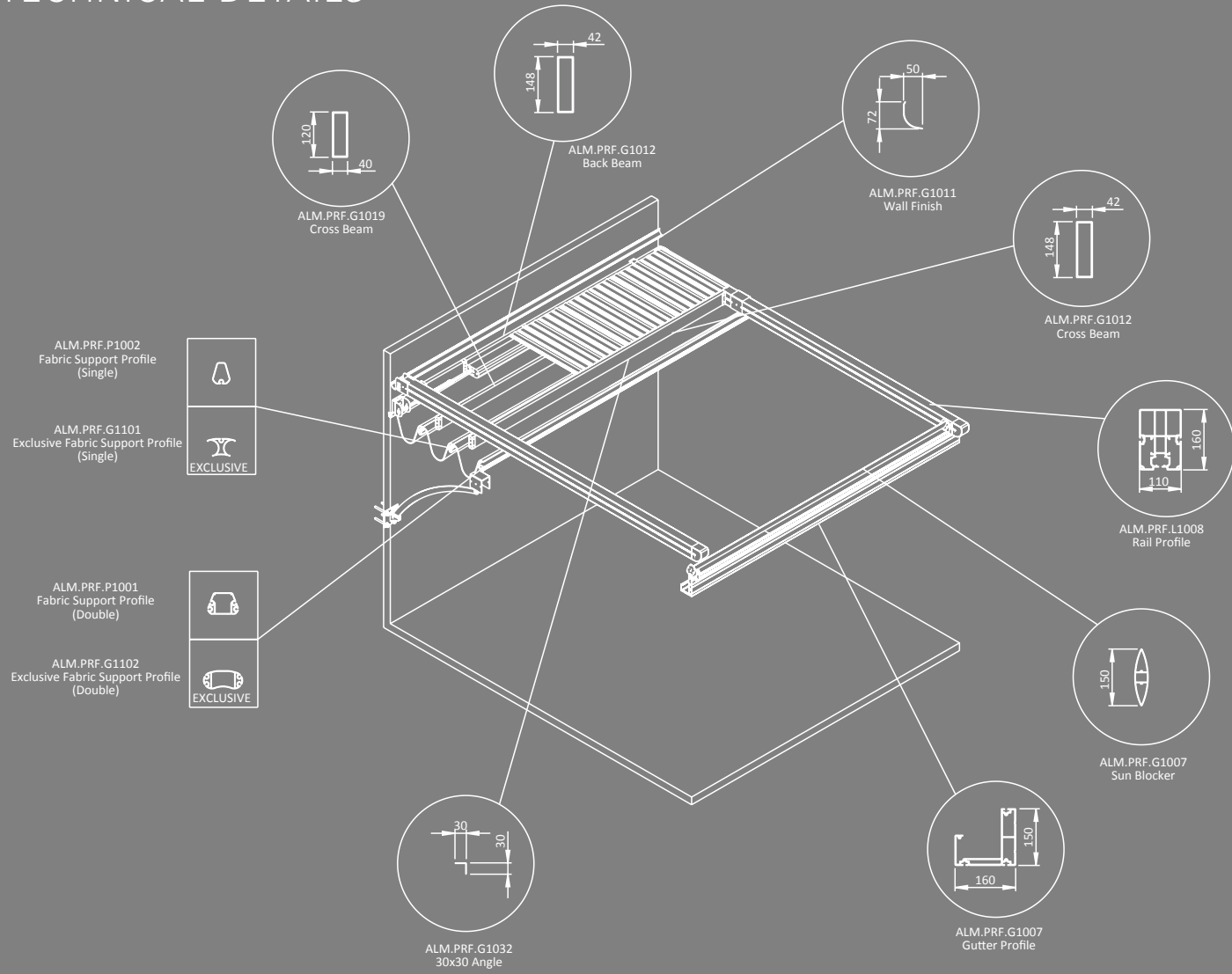
PRICE DIFFERENCE			
BEAM GROUP			
Back Beam	Standard	Al. 100x150mm	
	to	St. 100x150x3mm	€ 155 lm
		St. 100x150x5mm	€ 231 lm
		St. 100x200x3mm	€ 160 lm
		St. 100x200x5mm	€ 302 lm
PILLAR GROUP			
Front Pillar	Standard	Al. 100x160mm	
	to	Al. 100x100mm	€ 173 pcs
		St. 100x100x3mm	€ 191 pcs
		St. 100x100x5mm	€ 497 pcs
		St. 150x150x3mm	€ 765 pcs
St. 150x150x5mm	€ 1.252 pcs		
PILLAR GROUP			
Back Pillar	Standard	Al. 100x100mm	
	to	St. 100x100x3mm	€ 108 pcs
		St. 100x100x5mm	€ 443 pcs
		St. 150x150x3mm	€ 677 pcs
		St. 150x150x5mm	€ 1.197 pcs

Notes:

1. Fabric support profiles can be painted in the same color as the general construction. No fee is paid for this process. However, the plastic color should be specified from our standard plastic colours in Palmiye Colour Chart.
2. For one product, a dry contact transmitter costing 370€, must be added.
3. Up to 5 products, a RS485 Automation interface dry contact transmitter costing 1126€, must be added.



BRACKET SYSTEM TECHNICAL DETAILS

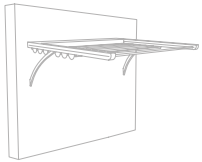


TECHNICAL DETAILS

WATER DRAIN&GUTTER CALCULATION

PRODUCT TYPE	MAX. M ²	USED PRODUCT TYPE
WATER DRAINAGE 45	34m ²	1200 Series Standard
WATER DRAINAGE 65	42m ²	Standard

*There should be at least one drainage, each 8 m length gutter.

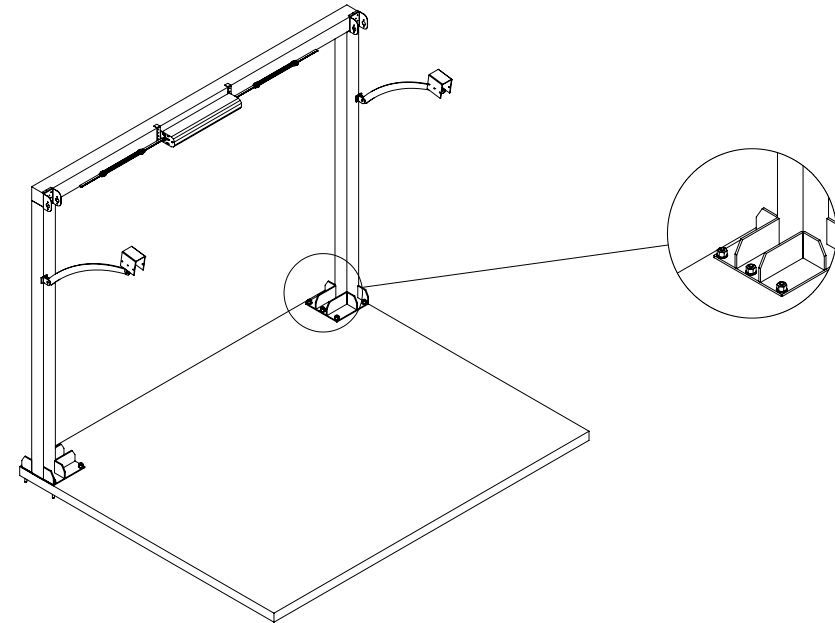


BRACKET SYSTEM

		WIDTH			
		2 RAIL			
		250 cm	300 cm	350 cm	400 cm
PROJECTION	200 cm	€ 6.551	€ 6.914	€ 7.407	€ 7.902
	250 cm	€ 6.881	€ 7.416	€ 7.914	€ 8.411
	300 cm	€ 7.412	€ 8.015	€ 8.576	€ 9.139
	350 cm	€ 7.899	€ 8.376	€ 8.963	€ 9.549
	400 cm	€ 8.239	€ 8.741	€ 9.351	€ 9.962
FS5-A		€ 43	€ 54	€ 64	€ 73
FS5-E		€ 59	€ 75	€ 88	€ 100

FS5-A	Additional Fabric Support Profile (Standard)
FS8	Lighting System

		LED TYPE & MODULE		
FS8		2 LED	3 LED	4 LED
FS8-S	SPOT	€ 132	€ 160	€ 189
FS8-L	LINEAR	€ 189	€ 245	
FS8-LR	LINEAR (RGB)	€ 240	€ 311	



- * Distance between two pillars depends on the system width.
- * For the systems with 2 units next to each other, one of the pillars in the middle will be removed.
- * Strut support apparatus is used under each rail.
- * Pillar and beam are used as 150*150*3mm in standard.

Notes:

1. Any Side Beam is not included in the price.
2. FS Flexy Plain/3D or Stam 6002 Trapezium ceiling cover, Motor and Remote control are included in the price.
3. Palmiye Aluminium Coating Catalogue includes the standard colours with no extra cost. For any other type/brand/color of paint, price difference and additional delivery duration shall be checked from your customer representative.
4. Standard "Fabric support profile plastic colors" are specified in our Aluminium coating catalogue.
5. Optionally FS21 Trapezium Gutter can be added.
6. This product includes a sun braker profile in the front to connect the rails.
7. Trapezium ceiling cover is included in the price.

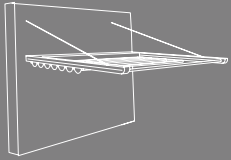
OPTIONS			
FS10-L1600 (ALM-16)	Extra pillar (100x160mm Al.) for L1600 series	€ 352	pcs
FS10	Extra pillar (100x100mm Al.)	€ 525	pcs
FS10-ST3	Extra pillar (100x100x3mm St.)	€ 653	pcs
FS10-ST5	Extra pillar (100x100x5mm St.)	€ 951	pcs
FS11	Deco ceiling cover	€ 73	m ²
FS13-A	Wavy ceiling cover (for flexy fabric) (up to 350 cm width)	€ 37	m ²
FS15	Side beam pillar (50x100mm - Al)	€ 272	pcs
FS15-L1600 (ALM-11)	Side beam pillar (100x100mm - Al) for L1600 series	€ 345	pcs
FS19	Fix louver	€ 72	lm
FS23	External Square Downpipe	€ 321	pcs
FS24	W96 Ceiling Cover	€ 84	m ²
FS28-1	Stainless steel chain - 100 cm	€ 76	1m
FS28-2	Stainless steel chain - 200 cm	€ 149	2m
FS28-3	Stainless steel chain - 300 cm	€ 223	3m
FS28-4	Stainless steel chain - 400 cm	€ 297	4m
FS29-1	Sun Sensor (SUNIS) (for single motor)	€ 607	pcs
FS29-1S	Sun Sensor (SUNIS) (for synchronized motor)	€ 962	pcs
FS29-2	Wind Sensor (EOLIS RTS) (for single motor)	€ 284	pcs
FS29-2S	Wind Sensor (EOLIS RTS) (for synchronized motor)	€ 639	pcs
FS29-3	Sun and Wind Sensor (SOLIRIS RTS) (for single motor)	€ 322	pcs
FS29-3S	Sun and Wind Sensor (SOLIRIS RTS) (for synchronized motor)	€ 676	pcs
FS29-4	* Rain Sensor (ONDEIS) (for single motor)	€ 558	pcs
FS29-4S	* Rain Sensor (ONDEIS) (for synchronized motor)	€ 912	pcs
FS30	CONNEXOON	€ 510	pcs
FS10-150ST5-H	Extra half pillar (150x150x5mm St.)	€ 205	pcs
FS10-150ST3	Extra pillar (150x150x3mm St.)	€ 1.217	pcs
FS10-150ST5	Extra pillar (150x150x5mm St.)	€ 1.702	pcs

EXTENSIONS		
L1600 Rail - 110x160mm	€ 262	lm
Beam Profile (Al. 42x150mm)	€ 102	lm
Beam Profile (Al. 50x150mm)	€ 180	lm
Beam Profile (Al. 100x150mm)	€ 150	lm
Beam Profile (St. 100x150x3mm)	€ 311	lm
Beam Profile (St. 100x150x5mm)	€ 377	lm
Beam Profile (St. 100x200x3mm)	€ 315	lm
Beam Profile (St. 100x200x5mm)	€ 448	lm
Fabric protection cover (Al. - 63x___cm)	€ 59	m ²
L1600 Gutter	€ 102	lm

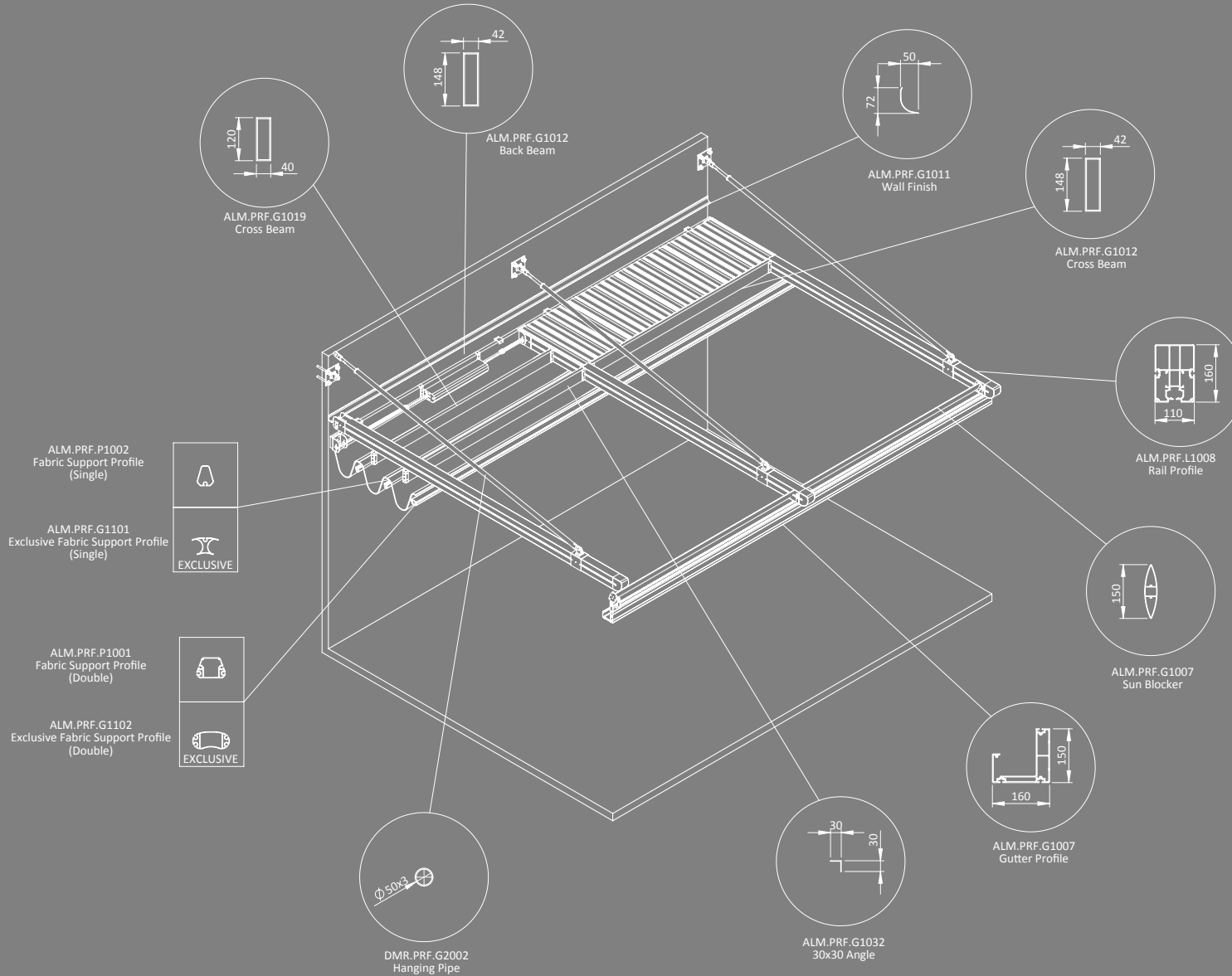
PRICE DIFFERENCE			
BEAM GROUP			
Standard	Al. 42x150mm		
Back Beam to	Al. 50x150mm	€ 78	lm
	St. 50x150x3mm	€ 101	lm
	St. 50x150x5mm	€ 187	lm
	Al. 100x150mm	€ 47	lm
	St. 100x150x3mm	€ 204	lm
	St. 100x150x5mm	€ 277	lm
	St. 100x200x3mm	€ 209	lm
	St. 100x200x5mm	€ 349	lm

Notes:

1. Fabric support profiles can be painted in the same color as the general construction. No fee is paid for this process. However, the plastic color should be specified from our standard plastic colours in Palmiye Color Chart.
2. For one product, a dry contact transmitter costing 370€, must be added.
3. Up to 5 products, a RS485 Automation interface dry contact transmitter costing 1126€, must be added.
4. The prices in the main table are for wall mounted products. This model also can be made as freestanding. For freestanding applications "FS10-150ST3" or "FS10-150ST5" pillar options and "St. 150x150x3mm" or "St. 150x150x5mm" back beam options should be added to the main prices.



HANGING SYSTEM



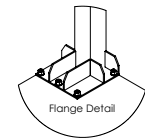
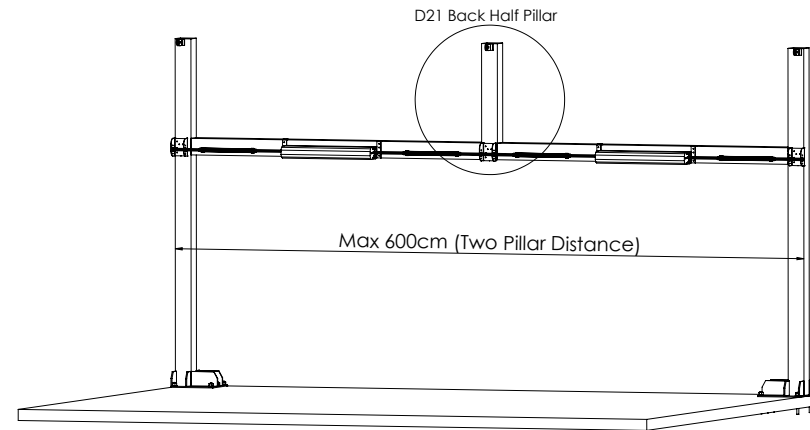
TECHNICAL DETAILS

WATER DRAIN&GUTTER CALCULATION

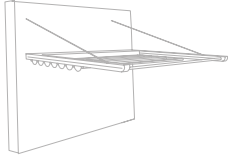
PRODUCT TYPE	MAX. M ²	USED PRODUCT TYPE
WATER DRAINAGE 45	34m ²	1200 Series Standard
WATER DRAINAGE 65	42m ²	Standard

*There should be at least one drainage, each 8 m length gutter.

- This model includes 3m steel back beam and pillars.
- The front beam can not be produced in steel.
- Ground flanges are 380x380x15 mm.
- In condition of adding an additional rail, a steel 150x150x3m back pillar should also be added.



- This model includes 3m steel back beam and pillars.
- The front beam can not be produced in steel.
- Ground flanges are 380x380x15 mm.
- When pillar reduction is applied, half pillar must be installed at the back of each rail shaft, and all steel pillars should be 150x150x5 mm.
- In condition of adding an additional rail, a steel 150x150x3m back pillar should also be added.



HANGING SYSTEM

WIDTH													FS4-L1600 (R97)	FS21
PROJECTION	2 RAIL				3 RAIL									
		250 cm	300 cm	350 cm	400 cm	450 cm	500 cm	550 cm	600 cm	650 cm	700 cm	750 cm	800 cm	
200 cm	€ 6.581	€ 6.947	€ 7.442	€ 7.949	€ 9.034	€ 9.403	€ 9.773	€ 10.141	€ 10.752	€ 11.079	€ 11.551	€ 11.916	€ 1.168	€ 385
250 cm	€ 6.912	€ 7.451	€ 7.949	€ 8.352	€ 9.475	€ 9.939	€ 10.478	€ 10.869	€ 11.360	€ 11.707	€ 12.204	€ 12.739	€ 1.289	€ 481
300 cm	€ 7.445	€ 8.052	€ 8.616	€ 9.087	€ 10.354	€ 10.882	€ 11.485	€ 11.940	€ 12.496	€ 12.904	€ 13.467	€ 14.064	€ 1.411	€ 578
350 cm	€ 7.935	€ 8.415	€ 9.003	€ 9.646	€ 11.020	€ 11.574	€ 12.056	€ 12.680	€ 13.262	€ 13.689	€ 14.276	€ 14.899	€ 1.530	€ 673
400 cm	€ 8.276	€ 8.779	€ 9.392	€ 10.061	€ 11.547	€ 12.124	€ 12.631	€ 13.279	€ 13.882	€ 14.333	€ 14.945	€ 15.589	€ 1.652	€ 770
450 cm	€ 8.625	€ 9.153	€ 9.790	€ 10.481	€ 12.084	€ 12.685	€ 13.215	€ 13.887	€ 14.514	€ 14.988	€ 15.622	€ 16.292	€ 1.773	€ 866
500 cm	€ 8.969	€ 9.521	€ 10.183	€ 10.898	€ 12.615	€ 13.239	€ 13.791	€ 14.488	€ 15.141	€ 15.634	€ 16.292	€ 16.987	€ 1.895	€ 963
550 cm	€ 9.312	€ 9.889	€ 10.575	€ 11.315	€ 13.148	€ 13.795	€ 14.368	€ 15.089	€ 15.768	€ 16.282	€ 16.964	€ 17.682	€ 1.773	€ 1.058
600 cm	€ 9.656	€ 10.257	€ 10.968	€ 11.732	€ 13.681	€ 14.351	€ 14.946	€ 15.690	€ 16.397	€ 16.928	€ 17.635	€ 18.376	€ 1.895	€ 1.156

G22	€ 244	€ 252	€ 274	€ 303	€ 331	€ 353	€ 380	€ 404	€ 430	€ 454	€ 584	€ 610
FS5-A	€ 43	€ 54	€ 64	€ 73	€ 84	€ 93	€ 105	€ 114	€ 125	€ 135	€ 146	€ 155
FS5-E	€ 59	€ 75	€ 88	€ 100	€ 116	€ 129	€ 144	€ 157	€ 173	€ 185	€ 201	€ 214

FS5-A	Additional Fabric Support Profile (Standard)
FS4-L1600 (R97)	Additional Rail - Al. 110x160mm
FS8	Lighting System
FS21	Trapezium Gutter

FS8	
FS8-S	SPOT
FS8-L	LINEAR
FS8-LR	LINEAR (RGB)

LED TYPE & MODULE		
2 LED	3 LED	4 LED
€ 132	€ 160	€ 189
€ 189	€ 245	
€ 240	€ 311	

Notes:

1. Any Side Beam is not included in the price.
2. FS Flexy Plain/3D or Stam 6002 Trapezium ceiling cover, Motor and Remote control are included in the price.
3. Palmiye Aluminium Coating Catalogue includes the standard colours with no extra cost. For any other type/brand/color of paint, price difference and additional delivery duration shall be checked from your customer representative.
4. Standard "Fabric support profile plastic colors" are specified in our Aluminium coating catalogue.
5. Optionally FS21 Trapezium Gutter can be added.
6. This product includes a sun braker profile in the front to connect the rails.
7. Trapezium ceiling cover is included in the price.

OPTIONS			
FS10-L1600 (ALM-16)	Extra pillar (100x160mm Al.) for L1600 series	€ 352	pcs
FS10	Extra pillar (100x100mm Al.)	€ 525	pcs
FS10-ST3	Extra pillar (100x100x3mm St.)	€ 653	pcs
FS10-ST5	Extra pillar (100x100x5mm St.)	€ 951	pcs
FS11	Deco ceiling cover	€ 73	m ²
FS13-A	Wavy ceiling cover (for flexy fabric) (up to 350 cm width)	€ 37	m ²
FS15	Side beam pillar (50x100mm - Al)	€ 272	pcs
FS15-L1600 (ALM-11)	Side beam pillar (100x100mm - Al) for L1600 series	€ 345	pcs
FS19	Fix louver	€ 72	lm
FS23	External Square Downpipe	€ 321	pcs
FS24	W96 Ceiling Cover	€ 84	m ²
FS28-1	Stainless steel chain - 100 cm	€ 76	1m
FS28-2	Stainless steel chain - 200 cm	€ 149	2m
FS28-3	Stainless steel chain - 300 cm	€ 223	3m
FS28-4	Stainless steel chain - 400 cm	€ 297	4m
FS29-1	Sun Sensor (SUNIS) (for single motor)	€ 607	pcs
FS29-1S	Sun Sensor (SUNIS) (for synchronized motor)	€ 962	pcs
FS29-2	Wind Sensor (EOLIS RTS) (for single motor)	€ 284	pcs
FS29-2S	Wind Sensor (EOLIS RTS) (for synchronized motor)	€ 639	pcs
FS29-3	Sun and Wind Sensor (SOLIRIS RTS) (for single motor)	€ 322	pcs
FS29-3S	Sun and Wind Sensor (SOLIRIS RTS) (for synchronized motor)	€ 676	pcs
FS29-4	* Rain Sensor (ONDEIS) (for single motor)	€ 558	pcs
FS29-4S	* Rain Sensor (ONDEIS) (for synchronized motor)	€ 912	pcs
FS30	CONNEXOON	€ 510	pcs
FS10-150ST5-H	Extra half pillar (150x150x5mm St.)	€ 205	pcs
FS10-150ST3	Extra pillar (150x150x3mm St.)	€ 1.217	pcs
FS10-150ST5	Extra pillar (150x150x5mm St.)	€ 1.702	pcs

EXTENSIONS		
L1600 Rail - 110x160mm	€ 262	lm
Beam Profile (Al. 42x150mm)	€ 102	lm
Beam Profile (Al. 50x150mm)	€ 180	lm
Beam Profile (Al. 100x150mm)	€ 150	lm
Beam Profile (St. 100x150x3mm)	€ 311	lm
Beam Profile (St. 100x150x5mm)	€ 377	lm
Beam Profile (St. 100x200x3mm)	€ 315	lm
Beam Profile (St. 100x200x5mm)	€ 448	lm
Fabric protection cover (Al. - 63x__cm)	€ 59	m ²
L1600 Gutter	€ 102	lm

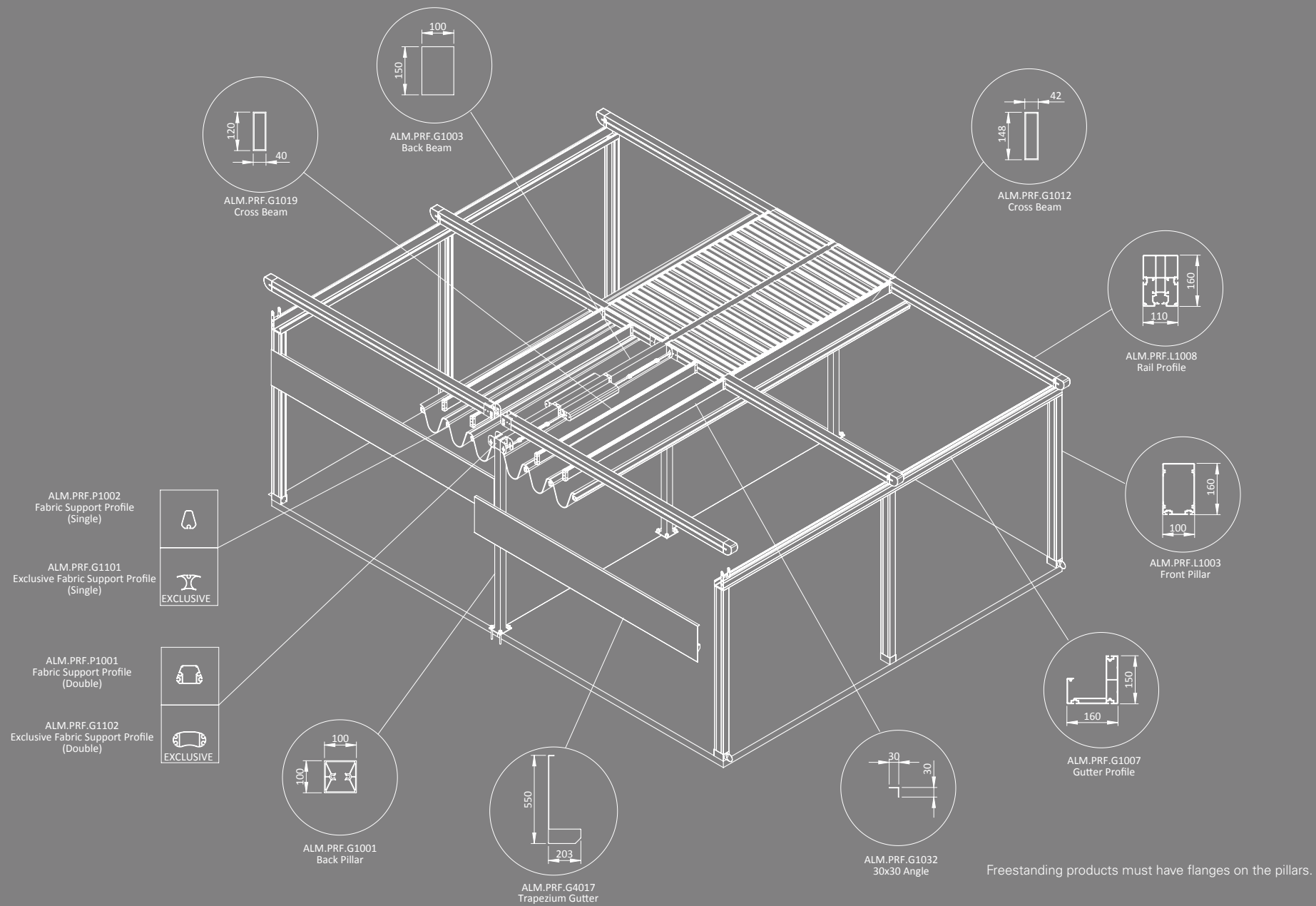
PRICE DIFFERENCE			
BEAM GROUP			
Standard	Al. 42x150mm		
Back Beam to	Al. 50x150mm	€ 78	lm
	St. 50x150x3mm	€ 101	lm
	St. 50x150x5mm	€ 187	lm
	Al. 100x150mm	€ 47	lm
	St. 100x150x3mm	€ 204	lm
	St. 100x150x5mm	€ 277	lm
	St. 100x200x3mm	€ 209	lm
	St. 100x200x5mm	€ 349	lm

Notes:

1. Fabric support profiles can be painted in the same color as the general construction. No fee is paid for this process. However, the plastic color should be specified from our standard plastic colours in Palmiye Color Chart.
2. For one product, a dry contact transmitter costing 370€, must be added.
3. Up to 5 products, a RS485 Automation interface dry contact transmitter costing 1126€, must be added.
4. The prices in the main table are for wall mounted products. This model also can be made as freestanding. For freestanding applications "FS10-150ST3" or "FS10-150ST5" pillar options and "St. 150x150x3mm" or "St. 150x150x5mm" back beam options should be added to the main prices.



TWIN STANDING SYSTEM WITH FRONT PILLAR



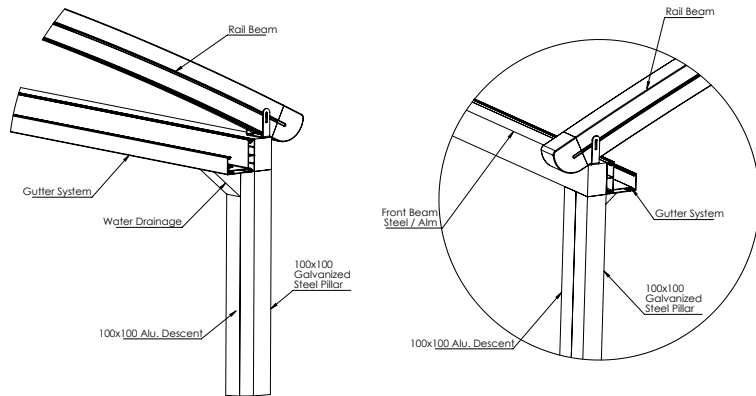
TECHNICAL DETAILS

WATER DRAIN&GUTTER CALCULATION

PRODUCT TYPE	MAX. M ²	USED PRODUCT TYPE
WATER DRAINAGE 45	34m ²	1200 Series Standard
WATER DRAINAGE 65	42m ²	Standard

*There should be at least one drainage, each 8 m length gutter.

APPLICATION FORM IN STEEL FRONT BEAM AND DEVICE



* In use of aluminum front pillar of 100*100 and front beam of 100*150 water drain, is applied from the available pillar. No external descent is applied.

TERMS OF USE OF MIDDLE PILLAR AND BEAM FOR TWIN STANDING SYSTEM (STANDART)

PROJECTION	PRODUCT WIDTH								
	450	500	550	600	650	700	750	800	850
800	A	A	A	A	A	A	A	A	A
900	A	A	A	A	A	A	A	A	A
1000	A	A	A	A	A	A	A	A	A
1100	A	A	A	A	A	A	A	A	A
1200	A	A	A	A	A	A	A	A	A
1300	A	A	A	A	A	A	A	A	A
1400	A	A	A	A	A	A	A	A	A
1500	A	A	A	A	A	A	A	A	A
1600	A	A	A	A	A	A	A	A	A
	GROUND FLANGE BACK PILLAR BACK BEAM		A	200*200*10 FLANGE ALU 100*100 ALU 100*150 ALU					

* Price of middle pillar and beam is included in the list price for twin standing system.

TERMS OF USE OF MIDDLE PILLAR AND BEAM

PROJECTION	OUT TO OUT PILLAR SIZE					
	500	550	600	700	750	800
800	B	B	B	C	D	D
1000	B	B	B	C	D	D
1200	B	B	C	C	D	D
1400	B	C	C	C	D	D
1600	C	C	C	C	D	D
F. PILLAR F. BEAM	B	100*100 ALU 100*150 ALU	C	100*100*3 G.S 100*150*3 G.S	D	100*100*5 G.S 100*200*5 G.S

- * Use of middle pillar and beam should be additionally priced.
- * Floor mounting of the pillar is performed with flange of 200*200*10 mm or ground anchor.
- * Maximum height is 4m for aluminum middle pillars and 5m for steel middle pillars.

TERMS OF USE OF FRONT PILLAR AND BEAM

PROJECTION	OUT TO OUT PILLAR SIZE					
	450	550	600	650	700	
800	A	A	B	B	C	
1000	A	A	B	B	C	
1200	A	A	B	C	C	
1400	A	B	B	C	C	
1600	A	B	C	C	C	
F. PILLAR F. BEAM	A	100*100 ALU 100*150 ALU	B	100*100*3 G.S 100*150*3 G.S	C	100*100*5 G.S 100*200*5 G.S

- * Use of front pillar and beam should be additionally priced.
- * Ground mounting of the pillar is performed with flange of 200x200x10 or 100x100 stainless ground anchor.
- * Application is made behind the gutter system
- * Maximum height is 4m for aluminum front pillars and 5m for steel front pillars.
- * If front pillar and beam is made of steel, water drain is given from empty aluminum box profile of 100*100



TWIN STANDING SYSTEM WITH FRONT PILLAR

		WIDTH											FS4-L1600 (R97)	FS21	
		2 RAIL				3 RAIL									
		250 cm	300 cm	350 cm	400 cm	450 cm	500 cm	550 cm	600 cm	650 cm	700 cm	750 cm			800 cm
PROJECTION	400 cm	€ 10.730	€ 11.324	€ 12.051	€ 12.848	€ 14.885	€ 15.568	€ 16.164	€ 16.935	€ 17.649	€ 18.177	€ 18.873	€ 19.643	€ 1.652	€ 770
	450 cm	€ 11.152	€ 11.772	€ 12.527	€ 13.350	€ 15.525	€ 16.235	€ 16.859	€ 17.656	€ 18.396	€ 18.948	€ 19.670	€ 20.466	€ 1.773	€ 866
	500 cm	€ 11.567	€ 12.214	€ 12.996	€ 13.847	€ 16.161	€ 16.897	€ 17.543	€ 18.368	€ 19.137	€ 19.710	€ 20.459	€ 21.280	€ 1.895	€ 963
	550 cm	€ 12.234	€ 13.145	€ 14.005	€ 14.936	€ 17.426	€ 18.238	€ 19.141	€ 19.861	€ 20.888	€ 21.534	€ 22.357	€ 23.258	€ 2.017	€ 1.058
	600 cm	€ 12.661	€ 13.599	€ 14.490	€ 15.443	€ 18.069	€ 18.910	€ 19.842	€ 20.591	€ 21.640	€ 22.308	€ 23.159	€ 24.087	€ 2.138	€ 1.156
	650 cm	€ 13.078	€ 14.047	€ 14.960	€ 15.942	€ 18.706	€ 19.573	€ 20.533	€ 21.306	€ 22.383	€ 22.998	€ 23.870	€ 24.818	€ 2.260	€ 1.251
	700 cm	€ 13.500	€ 14.491	€ 15.431	€ 16.442	€ 19.346	€ 20.240	€ 21.223	€ 22.027	€ 23.130	€ 23.762	€ 24.663	€ 25.639	€ 2.381	€ 1.346
	750 cm	€ 13.920	€ 14.939	€ 15.907	€ 16.940	€ 19.989	€ 20.907	€ 21.916	€ 22.743	€ 23.875	€ 24.530	€ 25.454	€ 26.456	€ 2.503	€ 1.444
	800 cm	€ 14.458	€ 15.513	€ 16.513	€ 17.578	€ 20.796	€ 21.746	€ 22.789	€ 23.646	€ 24.816	€ 25.497	€ 26.451	€ 27.486	€ 2.624	€ 1.539
	850 cm	€ 16.956	€ 17.949	€ 19.148	€ 20.450	€ 23.652	€ 24.778	€ 25.766	€ 27.031	€ 28.205	€ 29.085	€ 30.176	€ 31.437	€ 2.746	€ 1.634
	900 cm	€ 17.308	€ 18.326	€ 19.549	€ 20.874	€ 24.187	€ 25.337	€ 26.352	€ 27.638	€ 28.835	€ 29.738	€ 30.853	€ 32.137	€ 2.909	€ 1.730
	950 cm	€ 17.657	€ 18.699	€ 19.945	€ 21.294	€ 24.720	€ 25.893	€ 26.926	€ 28.239	€ 29.462	€ 30.384	€ 31.522	€ 32.830	€ 2.987	€ 1.825
	1000 cm	€ 18.005	€ 19.071	€ 20.341	€ 21.714	€ 25.251	€ 26.447	€ 27.503	€ 28.839	€ 30.087	€ 31.029	€ 32.190	€ 33.523	€ 3.108	€ 1.920
	1050 cm	€ 18.547	€ 19.821	€ 21.155	€ 22.595	€ 26.272	€ 27.531	€ 28.790	€ 30.049	€ 31.501	€ 32.501	€ 33.726	€ 35.120	€ 3.230	€ 2.022
	1100 cm	€ 19.089	€ 20.573	€ 21.971	€ 23.476	€ 27.290	€ 28.613	€ 30.077	€ 31.258	€ 32.915	€ 33.976	€ 35.261	€ 36.720	€ 3.350	€ 2.115
	1150 cm	€ 19.443	€ 20.954	€ 22.376	€ 23.903	€ 27.828	€ 29.175	€ 30.666	€ 31.871	€ 33.549	€ 34.631	€ 35.940	€ 37.423	€ 3.473	€ 2.215
1200 cm	€ 19.799	€ 21.332	€ 22.783	€ 24.332	€ 28.366	€ 29.738	€ 31.254	€ 32.482	€ 34.183	€ 35.285	€ 36.619	€ 38.125	€ 3.592	€ 2.308	
1250 cm	€ 20.148	€ 21.708	€ 23.179	€ 24.750	€ 28.898	€ 30.294	€ 31.834	€ 33.085	€ 34.808	€ 35.872	€ 37.225	€ 38.752	€ 3.714	€ 2.408	
1300 cm	€ 20.495	€ 22.081	€ 23.575	€ 25.171	€ 29.428	€ 30.848	€ 32.413	€ 33.688	€ 35.435	€ 36.459	€ 37.831	€ 39.381	€ 3.834	€ 2.501	
1350 cm	€ 20.846	€ 22.453	€ 23.970	€ 25.593	€ 29.965	€ 31.407	€ 32.991	€ 34.292	€ 36.063	€ 37.105	€ 38.504	€ 40.075	€ 3.957	€ 2.600	
1400 cm	€ 21.197	€ 22.826	€ 24.366	€ 26.015	€ 30.498	€ 31.965	€ 33.571	€ 34.898	€ 36.692	€ 37.752	€ 39.176	€ 40.772	€ 4.079	€ 2.694	
1450 cm	€ 21.546	€ 23.199	€ 24.764	€ 26.435	€ 31.033	€ 32.522	€ 34.151	€ 35.501	€ 37.321	€ 38.401	€ 39.844	€ 41.465	€ 4.199	€ 2.793	
1500 cm	€ 21.897	€ 23.575	€ 25.164	€ 26.855	€ 31.568	€ 33.080	€ 34.733	€ 36.103	€ 37.949	€ 39.049	€ 40.515	€ 42.158	€ 4.322	€ 2.887	
1550 cm	€ 22.440	€ 24.184	€ 25.836	€ 27.595	€ 32.449	€ 34.024	€ 35.742	€ 37.175	€ 39.084	€ 40.239	€ 41.769	€ 43.474	€ 4.441	€ 2.981	
1600 cm	€ 22.986	€ 24.795	€ 26.511	€ 28.335	€ 33.332	€ 34.971	€ 36.753	€ 38.248	€ 40.218	€ 41.430	€ 43.024	€ 44.792	€ 4.563	€ 3.080	
FS5-A	€ 43	€ 54	€ 64	€ 73	€ 84	€ 93	€ 105	€ 114	€ 125	€ 135	€ 146	€ 155			
FS5-E	€ 59	€ 75	€ 88	€ 100	€ 116	€ 129	€ 144	€ 157	€ 173	€ 185	€ 201	€ 214			

DEDUCTIONS

Price deduction is applicable only for pillars and beam. Deduction amount shall be consider as 70% of related option price.

Notes:

- Any Side Beam is not included in the price.
- If side beam used and projection is bigger than 700 cm, a side beam pillar also needs to be added up to the rail. Price is included in FS9 side beam option price.
- FS Flexy Plain/3D or Stam 6002 Trapezium ceiling cover, Motor and Remote control are included in the price.
- Palmiye Aluminium Coating Catalogue includes the standard colours with no extra cost. For any other type/brand/color of paint, price difference and additional delivery duration shall be checked from your customer representative.
- Standard "Fabric support profile plastic colors" are specified in our Aluminium coating catalogue.
- Optionally FS21 Trapezium Gutter can be added.
- Trapezium ceiling cover is included in the price.

FS5-A	Additional Fabric Support Profile (Standard)
FS4-L1600 (R97)	Additional Rail - Al. 110x160mm
FS8	Lighting System
FS21	Trapezium Gutter

FS8	
FS8-S	SPOT
FS8-L	LINEAR
FS8-LR	LINEAR (RGB)

LED TYPE & MODULE		
2 LED	3 LED	4 LED
€ 132	€ 160	€ 189
€ 189	€ 245	
€ 240	€ 311	

OPTIONS

FS10-L1600 (ALM-16)	Extra pillar (100x160mm Al.) for L1600 series	€ 352	pcs
FS10	Extra pillar (100x100mm Al.)	€ 525	pcs
FS10-ST3	Extra pillar (100x100x3mm St.)	€ 653	pcs
FS10-ST5	Extra pillar (100x100x5mm St.)	€ 951	pcs
FS11	Deco ceiling cover	€ 73	m ²
FS13-A	Wavy ceiling cover (for flexy fabric) (up to 350 cm width)	€ 37	m ²
FS15	Side beam pillar (50x100mm- Al)	€ 272	pcs
FS15-L1600 (ALM-11)	Side beam pillar (100x100mm- Al) for L1600 series	€ 345	pcs
FS19	Fix louver	€ 72	lm
FS23	External Square Downpipe	€ 321	pcs
FS24	W96 Ceiling Cover	€ 84	m ²
FS29-1	Sun Sensor (SUNIS) (for single motor)	€ 607	pcs
FS29-1S	Sun Sensor (SUNIS) (for synchronized motor)	€ 962	pcs
FS29-2	Wind Sensor (EOLIS RTS) (for single motor)	€ 284	pcs
FS29-2S	Wind Sensor (EOLIS RTS) (for synchronized motor)	€ 639	pcs
FS29-3	Sun and Wind Sensor (SOLIRIS RTS) (for single motor)	€ 322	pcs
FS29-3S	Sun and Wind Sensor (SOLIRIS RTS) (for synchronized motor)	€ 676	pcs
FS29-4	* Rain Sensor (ONDEIS) (for single motor)	€ 558	pcs
FS29-4S	* Rain Sensor (ONDEIS) (for synchronized motor)	€ 912	pcs
FS30	CONNEXOON	€ 510	pcs

EXTENSIONS

L1600 Rail - 110x160mm	€ 262	lm
Beam Profile (Al. 100x150mm)	€ 150	lm
Beam Profile (St. 100x150x3mm)	€ 311	lm
Beam Profile (St. 100x150x5mm)	€ 377	lm
Beam Profile (St. 100x200x3mm)	€ 315	lm
Beam Profile (St. 100x200x5mm)	€ 448	lm
Fabric protection cover (Al. - 63x__cm)	€ 59	m ²
L1600 Gutter	€ 102	lm

*Max. Al. Front pillar (Al. 100x160mm) height is 280cm

*Max. St 3mm. Front pillar (St. 100x100x3mm) height is 380cm

*Max. St. 5mm Front pillar (St. 100x100x5mm) height is 480cm

PRICE DIFFERENCE

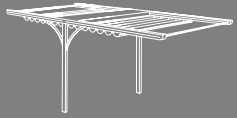
		BEAM GROUP			
		Standard	Al. 100x150mm		
Back Beam	to	St. 100x150x3mm	€ 155	lm	
		St. 100x150x5mm	€ 231	lm	
		St. 100x200x3mm	€ 160	lm	
		St. 100x200x5mm	€ 302	lm	
		PILLAR GROUP			
		Standard	Al. 100x160mm		
Front Pillar	to	Al. 100x100mm	€ 173	pcs	
		St. 100x100x3mm	€ 191	pcs	
		St. 100x100x5mm	€ 497	pcs	
		St. 150x150x3mm	€ 765	pcs	
		St. 150x150x5mm	€ 1.252	pcs	
		Standard	Al. 100x100mm		
Back Pillar	to	St. 100x100x3mm	€ 108	pcs	
		St. 100x100x5mm	€ 443	pcs	
		St. 150x150x3mm	€ 677	pcs	
		St. 150x150x5mm	€ 1.197	pcs	

Notes:

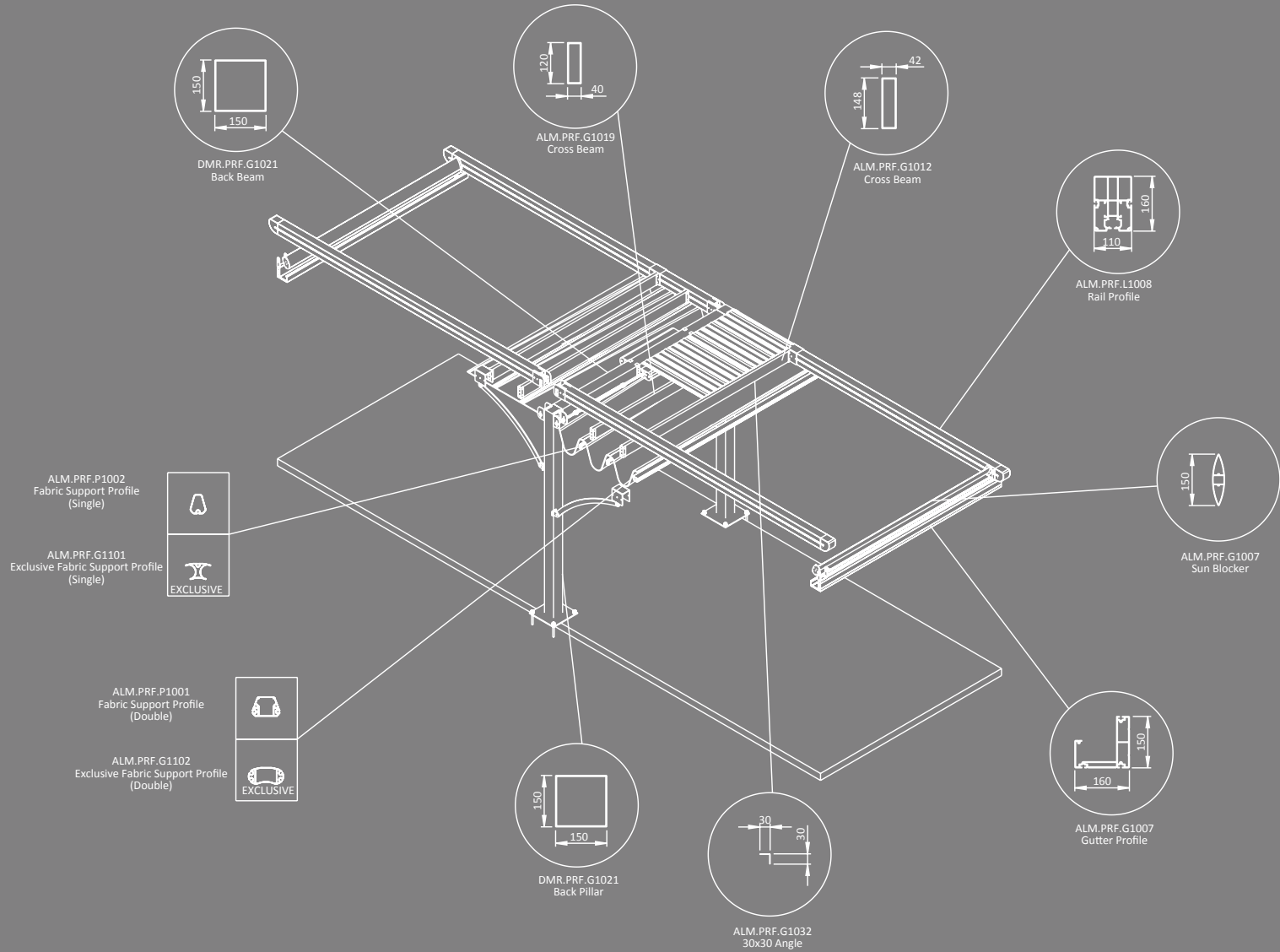
1. Fabric support profiles can be painted in the same color as the general construction. No fee is paid for this process. However, the plastic color should be specified from our standard plastic colours in Palmiye Colour Chart.

2. For one product, a dry contact transmitter costing 370€, must be added.

3. Up to 5 products, a RS485 Automation interface dry contact transmitter costing 1126€, must be added.



TWIN BRACKET SYSTEM TECHNICAL DETAILS



TECHNICAL DETAILS

WATER DRAIN&GUTTER CALCULATION

PRODUCT TYPE	MAX. M ²	USED PRODUCT TYPE
WATER DRAINAGE 45	34m ²	1200 Series Standard
WATER DRAINAGE 65	42m ²	Standard

*There should be at least one drainage, each 8 m length gutter.



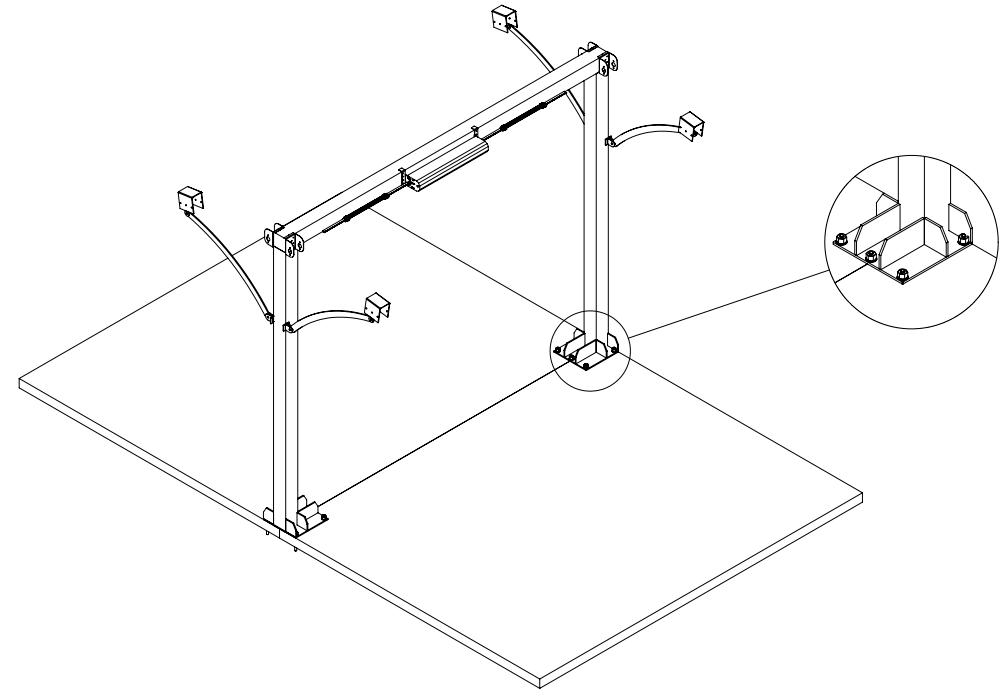
TWIN BRACKET SYSTEM

		WIDTH			
		2 RAIL			
		250 cm	300 cm	350 cm	400 cm
PROJECTION	400 cm	€ 10.952	€ 11.548	€ 12.275	€ 13.005
	450 cm	€ 11.365	€ 11.987	€ 12.742	€ 13.498
	500 cm	€ 11.773	€ 12.421	€ 13.203	€ 13.986
	550 cm	€ 12.430	€ 13.343	€ 14.203	€ 15.063
	600 cm	€ 12.848	€ 13.790	€ 14.679	€ 15.568
	650 cm	€ 13.258	€ 14.227	€ 15.141	€ 16.054
	700 cm	€ 13.670	€ 14.663	€ 15.603	€ 16.544
	800 cm	€ 14.083	€ 15.103	€ 16.070	€ 17.036

FS5-A	€ 43	€ 54	€ 64	€ 73
FS5-E	€ 59	€ 75	€ 88	€ 100

FS5-A	Additional Fabric Support Profile (Standard)
FS8	Lighting System

FS8		LED TYPE & MODULE		
		2 LED	3 LED	4 LED
FS8-S	SPOT	€ 132	€ 160	€ 189
FS8-L	LINEAR	€ 189	€ 245	
FS8-LR	LINEAR (RGB)	€ 240	€ 311	



- * Distance between two pillars depends on the system width.
- * For the systems with 2 units next to each other, one of the pillars in the middle will be removed.
- * Strut support apparatus is used under each rail.
- * Pillar and beam are used as 150*150*3mm in standard.

Notes:

1. Modules can not be combined.
2. Side beam is not applicable.
3. FS Flexy Plain/3D or Stam 6002 Trapezium ceiling cover, Motor and Remote control are included in the price.
4. Palmiye Aluminium Coating Catalogue includes the standard colours with no extra cost. For any other type/brand/color of paint, price difference and additional delivery duration shall be checked from your customer representative.
5. Standard "Fabric support profile plastic colors" are specified in our Aluminium coating catalogue.
6. Optionally FS21 Trapezium Gutter can be added.
7. This product includes a sun braker profile in the front to connect the rails.
8. Trapezium ceiling cover is included in the price.

DEDUCTIONS

Price deduction is applicable only for back pillars and back beam. Deduction amount shall be consider as 70% of related option price.

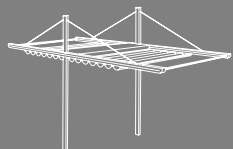
OPTIONS			
FS10-L1600 (ALM-16)	Extra pillar (100x160mm Al.) for L1600 series	€ 352	pcs
FS10	Extra pillar (100x100mm Al.)	€ 525	pcs
FS10-ST3	Extra pillar (100x100x3mm St.)	€ 653	pcs
FS10-ST5	Extra pillar (100x100x5mm St.)	€ 951	pcs
FS11	Deco ceiling cover	€ 73	m ²
FS13-A	Wavy ceiling cover (for flexy fabric) (up to 350 cm width)	€ 37	m ²
FS15	Side beam pillar (50x100mm - Al)	€ 272	pcs
FS15-L1600 (ALM-11)	Side beam pillar (100x100mm - Al) for L1600 series	€ 345	pcs
FS19	Fix louver	€ 72	lm
FS23	External Square Downpipe	€ 321	pcs
FS24	W96 Ceiling Cover	€ 84	m ²
FS28-1	Stainless steel chain - 100 cm	€ 76	1m
FS28-2	Stainless steel chain - 200 cm	€ 149	2m
FS28-3	Stainless steel chain - 300 cm	€ 223	3m
FS28-4	Stainless steel chain - 400 cm	€ 297	4m
FS29-1	Sun Sensor (SUNIS) (for single motor)	€ 607	pcs
FS29-2	Wind Sensor (EOLIS RTS) (for single motor)	€ 284	pcs
FS29-3	Sun and Wind Sensor (SOLIRIS RTS) (for single motor)	€ 322	pcs
FS29-4	* Rain Sensor (ONDEIS) (for single motor)	€ 558	pcs
FS30	CONNEXOON	€ 510	pcs
FS10-150ST5-H	Extra half pillar (150x150x5mm St.)	€ 205	pcs
FS10-150ST3	Extra pillar (150x150x3mm St.)	€ 1.217	pcs
FS10-150ST5	Extra pillar (150x150x5mm St.)	€ 1.702	pcs

EXTENSIONS		
L1600 Rail - 110x160mm	€ 262	lm
Beam Profile (Al. 42x150mm)	€ 102	lm
Beam Profile (Al. 50x150mm)	€ 180	lm
Beam Profile (Al. 100x150mm)	€ 150	lm
Beam Profile (St. 100x150x3mm)	€ 311	lm

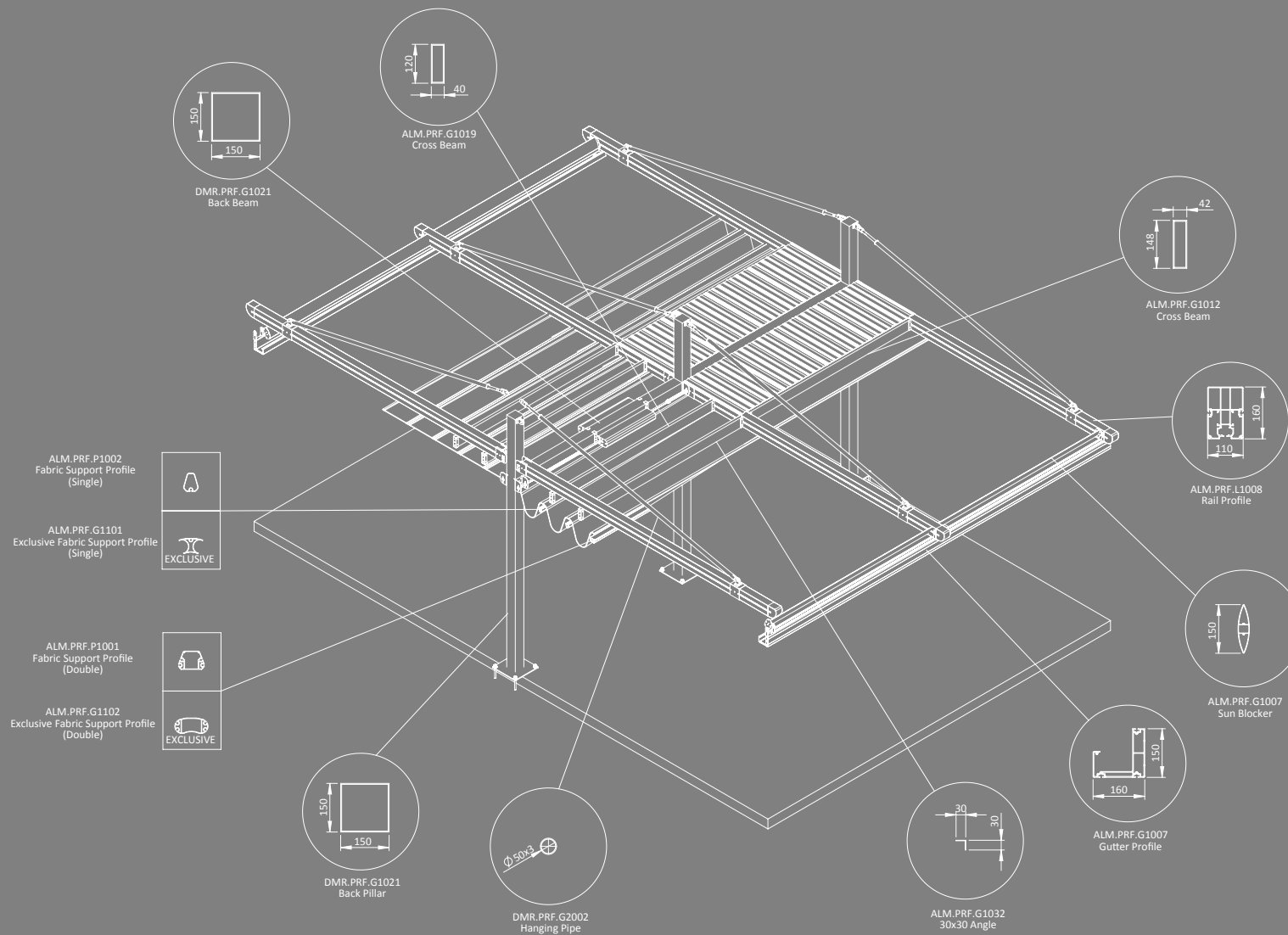
PRICE DIFFERENCE			
BEAM GROUP			
Beam	Standard	St. 150x150x3mm	
	to	St. 150x150x5mm	€ 88 pcs
PILLAR GROUP			
Pillar	Standard	St. 150x150x3mm	
	to	St. 150x150x5mm	€ 520 pcs

Notes:

1. Fabric support profiles can be painted in the same color as the general construction. No fee is paid for this process. However, the plastic color should be specified from our standard plastic colours in Palmiye Color Chart.
2. For one product, a dry contact transmitter costing 370€, must be added.
3. Up to 5 products, a RS485 Automation interface dry contact transmitter costing 1126€, must be added.
4. The prices in the main table are for wall mounted products. This model also can be made as freestanding. For freestanding applications "FS10-150ST3" or "FS10-150ST5" pillar options and "St. 150x150x3mm" or "St. 150x150x5mm" back beam options should be added to the main prices.



TWIN HANGING SYSTEM TECHNICAL DETAILS

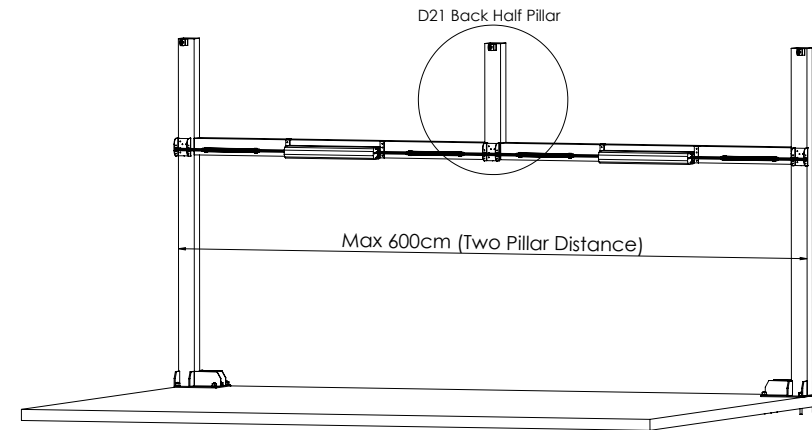


TECHNICAL DETAILS

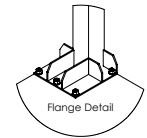
WATER DRAIN&GUTTER CALCULATION

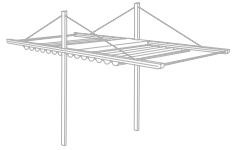
PRODUCT TYPE	MAX. M ²	USED PRODUCT TYPE
WATER DRAINAGE 45	34m ²	1200 Series Standard
WATER DRAINAGE 65	42m ²	Standard

*There should be at least one drainage, each 8 m length gutter.



- This model includes 3m steel back beam and pillars.
- The front beam can not be produced in steel.
- Ground flanges are 380x380x15 mm.
- When pillar reduction is applied, half pillar must be installed at the back of each rail shaft, and all steel pillars should be 150x150x5 mm.
- In condition of adding an additional rail, a steel 150x150x3m back pillar should also be added.





TWIN HANGING SYSTEM

		WIDTH												FS4-L1600 (R97)	FS21
		2 RAIL				3 RAIL									
		250 cm	300 cm	350 cm	400 cm	450 cm	500 cm	550 cm	600 cm	650 cm	700 cm	750 cm	800 cm		
PROJECTION	400 cm	€ 11.037	€ 11.633	€ 12.360	€ 13.156	€ 15.437	€ 16.120	€ 16.716	€ 17.487	€ 18.203	€ 18.729	€ 19.427	€ 20.195	€ 1.652	€ 770
	450 cm	€ 11.450	€ 12.072	€ 12.828	€ 13.649	€ 16.071	€ 16.780	€ 17.402	€ 18.199	€ 18.941	€ 19.491	€ 20.216	€ 21.011	€ 1.773	€ 866
	500 cm	€ 11.858	€ 12.506	€ 13.288	€ 14.137	€ 16.699	€ 17.433	€ 18.078	€ 18.903	€ 19.674	€ 20.245	€ 20.995	€ 21.817	€ 1.895	€ 963
	550 cm	€ 12.515	€ 13.428	€ 14.288	€ 15.217	€ 17.952	€ 18.764	€ 19.667	€ 20.388	€ 21.416	€ 22.060	€ 22.885	€ 23.785	€ 2.017	€ 1.058
	600 cm	€ 12.933	€ 13.873	€ 14.764	€ 15.717	€ 18.587	€ 19.427	€ 20.360	€ 21.108	€ 22.159	€ 22.828	€ 23.679	€ 24.606	€ 2.138	€ 1.156
	650 cm	€ 13.343	€ 14.312	€ 15.226	€ 16.206	€ 19.215	€ 20.082	€ 21.042	€ 21.815	€ 22.894	€ 23.507	€ 24.379	€ 25.329	€ 2.260	€ 1.251
	700 cm	€ 13.755	€ 14.748	€ 15.688	€ 16.699	€ 19.847	€ 20.740	€ 21.723	€ 22.526	€ 23.630	€ 24.262	€ 25.164	€ 26.140	€ 2.381	€ 1.346
	750 cm	€ 14.167	€ 15.188	€ 16.155	€ 17.189	€ 20.481	€ 21.398	€ 22.407	€ 23.234	€ 24.368	€ 25.021	€ 25.947	€ 26.949	€ 2.503	€ 1.444
	800 cm	€ 14.696	€ 15.752	€ 16.753	€ 17.817	€ 21.281	€ 22.230	€ 23.272	€ 24.129	€ 25.301	€ 25.980	€ 26.933	€ 27.970	€ 2.624	€ 1.539
	850 cm	€ 17.185	€ 18.180	€ 19.379	€ 20.679	€ 24.123	€ 25.250	€ 26.240	€ 27.505	€ 28.679	€ 29.559	€ 30.652	€ 31.911	€ 2.746	€ 1.634
	900 cm	€ 17.529	€ 18.548	€ 19.771	€ 21.094	€ 24.653	€ 25.803	€ 26.815	€ 28.102	€ 29.301	€ 30.204	€ 31.319	€ 32.602	€ 2.909	€ 1.730
	950 cm	€ 17.869	€ 18.911	€ 20.157	€ 21.506	€ 25.175	€ 26.348	€ 27.383	€ 28.694	€ 29.919	€ 30.841	€ 31.979	€ 33.286	€ 2.987	€ 1.825
	1000 cm	€ 18.208	€ 19.274	€ 20.544	€ 21.916	€ 25.700	€ 26.895	€ 27.951	€ 29.285	€ 30.535	€ 31.477	€ 32.639	€ 33.969	€ 3.108	€ 1.920
1050 cm	€ 18.547	€ 19.637	€ 20.931	€ 22.328	€ 26.222	€ 27.440	€ 28.517	€ 29.877	€ 31.152	€ 32.114	€ 33.299	€ 34.653	€ 3.230	€ 2.022	
1100 cm	€ 18.885	€ 20.000	€ 21.318	€ 22.737	€ 26.748	€ 27.988	€ 29.085	€ 30.468	€ 31.770	€ 32.750	€ 33.960	€ 35.337	€ 3.350	€ 2.115	
1150 cm	€ 19.224	€ 20.363	€ 21.704	€ 23.149	€ 27.270	€ 28.533	€ 29.653	€ 31.058	€ 32.387	€ 33.387	€ 34.620	€ 36.022	€ 3.473	€ 2.215	
1200 cm	€ 19.563	€ 20.726	€ 22.091	€ 23.561	€ 27.795	€ 29.080	€ 30.219	€ 31.650	€ 33.005	€ 34.023	€ 35.280	€ 36.704	€ 3.592	€ 2.308	
G22		€ 244	€ 252	€ 274	€ 303	€ 331	€ 353	€ 380	€ 404	€ 430	€ 454	€ 584	€ 610		
FS5-A		€ 43	€ 54	€ 64	€ 73	€ 84	€ 93	€ 105	€ 114	€ 125	€ 135	€ 146	€ 155		
FS5-E		€ 59	€ 75	€ 88	€ 100	€ 116	€ 129	€ 144	€ 157	€ 173	€ 185	€ 201	€ 214		

FS5-A	Additional Fabric Support Profile (Standard)
FS4-L1600 (R97)	Additional Rail - Al. 110x160mm
FS8	Lighting System
FS21	Trapezium Gutter

LED TYPE & MODULE		
FS8		
FS8-S	SPOT	
FS8-L	LINEAR	
FS8-LR	LINEAR (RGB)	
2 LED	3 LED	4 LED
€ 132	€ 160	€ 189
€ 189	€ 245	
€ 240	€ 311	

Notes:

- Optionally FS21 Trapezium Gutter can be added.
- FS Flexy Plain/3D or Stam 6002 Trapezium ceiling cover, Motor and Remote control are included in the price.
- FS13-A Wavy Ceiling Cover must be added to the price.
- Palmiye Aluminium Coating Catalogue includes the standard colours with no extra cost. For any other type/brand/color of paint, price difference and additional delivery duration shall be checked from your customer representative.
- Standard "Fabric support profile plastic colors" are specified in our Aluminium coating catalogue.
- This product includes a sun braker profile in the front to connect the rails.
- Trapezium ceiling cover is included in the price.

DEDUCTIONS

Price deduction is applicable only for back pillars and back beam. Deduction amount shall be consider as 70% of related option price.

OPTIONS			
FS10-L1600 (ALM-16)	Extra pillar (100x160mm Al.) for L1600 series	€ 352	pcs
FS10	Extra pillar (100x100mm Al.)	€ 525	pcs
FS10-ST3	Extra pillar (100x100x3mm St.)	€ 653	pcs
FS10-ST5	Extra pillar (100x100x5mm St.)	€ 951	pcs
FS11	Deco ceiling cover	€ 73	m ²
FS13-A	Wavy ceiling cover (for flexy fabric) (up to 350 cm width)	€ 37	m ²
FS15	Side beam pillar (50x100mm - Al)	€ 272	pcs
FS15-L1600 (ALM-11)	Side beam pillar (100x100mm - Al) for L1600 series	€ 345	pcs
FS19	Fix louver	€ 72	lm
FS23	External Square Downpipe	€ 321	pcs
FS24	W96 Ceiling Cover	€ 84	m ²
FS28-1	Stainless steel chain - 100 cm	€ 76	1m
FS28-2	Stainless steel chain - 200 cm	€ 149	2m
FS28-3	Stainless steel chain - 300 cm	€ 223	3m
FS28-4	Stainless steel chain - 400 cm	€ 297	4m
FS29-1	Sun Sensor (SUNIS) (for single motor)	€ 607	pcs
FS29-1S	Sun Sensor (SUNIS) (for synchronized motor)	€ 962	pcs
FS29-2	Wind Sensor (EOLIS RTS) (for single motor)	€ 284	pcs
FS29-2S	Wind Sensor (EOLIS RTS) (for synchronized motor)	€ 639	pcs
FS29-3	Sun and Wind Sensor (SOLIRIS RTS) (for single motor)	€ 322	pcs
FS29-3S	Sun and Wind Sensor (SOLIRIS RTS) (for synchronized motor)	€ 676	pcs
FS29-4	* Rain Sensor (ONDEIS) (for single motor)	€ 558	pcs
FS29-4S	* Rain Sensor (ONDEIS) (for synchronized motor)	€ 912	pcs
FS30	CONNEXOON	€ 510	pcs
FS10-150ST5-H	Extra half pillar (150x150x5mm St.)	€ 205	pcs
FS10-150ST3	Extra pillar (150x150x3mm St.)	€ 1.217	pcs
FS10-150ST5	Extra pillar (150x150x5mm St.)	€ 1.702	pcs

EXTENSIONS		
L1600 Rail - 110x160mm	€ 262	lm
Beam Profile (Al. 42x150mm)	€ 102	lm
Beam Profile (Al. 50x150mm)	€ 180	lm
Beam Profile (Al. 100x150mm)	€ 150	lm
Beam Profile (St. 100x150x3mm)	€ 311	lm

PRICE DIFFERENCE			
BEAM GROUP			
Beam	Standard	St. 150x150x3mm	
	to	St. 150x150x5mm	€ 88 pcs
PILLAR GROUP			
Pillar	Standard	St. 150x150x3mm	
	to	St. 150x150x5mm	€ 520 pcs

Notes:

1. Fabric support profiles can be painted in the same color as the general construction. No fee is paid for this process. However, the plastic color should be specified from our standard plastic colours in Palmiye Color Chart.
2. For one product, a dry contact transmitter costing 370€, must be added.
3. Up to 5 products, a RS485 Automation interface dry contact transmitter costing 1126€, must be added.
4. The prices in the main table are for wall mounted products. This model also can be made as freestanding. For freestanding applications "FS10-150ST3" or "FS10-150ST5" pillar options and "St. 150x150x3mm" or "St. 150x150x5mm" back beam options should be added to the main prices.



www.palmiye.eu