



BIOCLIMATIC PERGOLA

# SKYROOF

PRICE LIST / 2026 v2

MADE FOR OUTDOOR LIFE





**MADE FOR  
OUTDOOR  
LIFE**

**INDEX**

02

SKYROOF PRESTIGE

06

SKYROOF PLUS

10

SKYROOF COMPACT

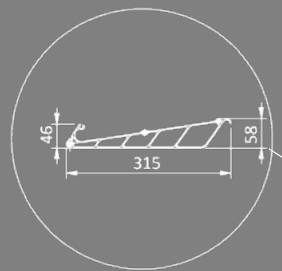
14

SKYROOF PLUS HANGING

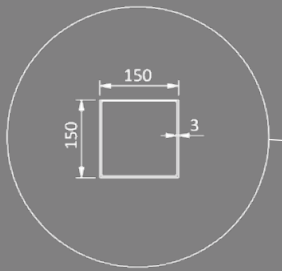
18

SKYROOF COMPACT HANGING

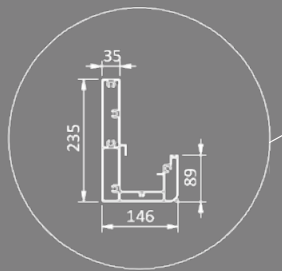
# SKYROOF PRESTIGE



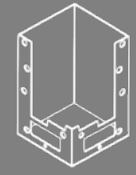
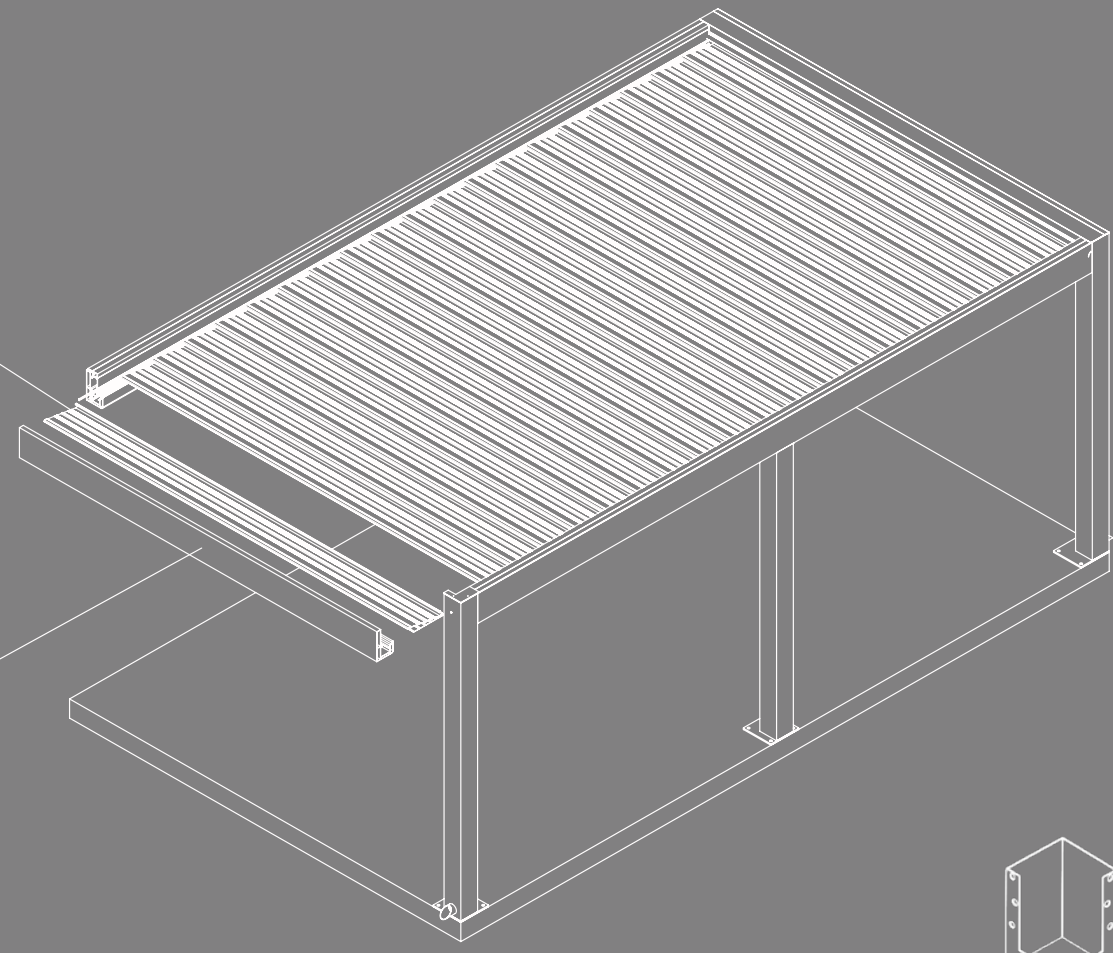
Panel



Pillar



Integrated Beam



Short Pillar

## REQUIRED WATER DRAINAGE

NO OF PANEL	PROJECTION		WIDTH (cm)										
			200	225	250	275	300	325	350	375	400	425	450
4	134,3 cm	1	1	1	1	1	1	1	1	1	1	1	1
5	162,15 cm	1	1	1	1	1	1	1	1	1	1	1	1
6	190 cm	1	1	1	1	1	1	1	1	1	1	1	1
7	217,85 cm	1	1	1	1	1	1	1	1	1	1	1	1
8	245,7 cm	1	1	1	1	1	1	1	1	1	1	1	1
9	273,55 cm	1	1	1	1	1	1	1	1	1	1	2	2
10	301,4 cm	1	1	1	1	1	1	1	1	1	2	2	2
11	329,25 cm	1	1	1	1	1	1	1	1	2	2	2	2
12	357,1 cm	1	1	1	1	1	1	1	1	2	2	2	2
13	384,95 cm	1	1	1	1	1	1	2	2	2	2	2	2
14	412,8 cm	1	1	1	1	1	2	2	2	2	2	2	2
15	440,65 cm	1	1	1	1	1	2	2	2	2	2	2	2
16	468,5 cm	1	1	1	1	2	2	2	2	2	2	2	2
17	496,35 cm	1	1	1	1	2	2	2	2	2	2	2	2
18	524,2 cm	1	1	1	2	2	2	2	2	2	2	2	2
19	552,05 cm	1	1	1	2	2	2	2	2	2	2	2	2
20	579,9 cm	1	1	2	2	2	2	2	2	2	2	2	2
21	607,75 cm	1	1	2	2	2	2	2	2	2	2	2	2
22	635,6 cm	1	1	2	2	2	2	2	2	2	2	2	2
23	663,45 cm	1	2	2	2	2	2	2	2	2	2	2	2
24	691,3 cm	1	2	2	2	2	2	2	2	2	2	2	2
25	719,15 cm	2	2	2	2	2	2	2	2	2	2	2	2

## WIND RESISTANCE

NO OF PANEL	PROJECTION		WIDTH (cm)											
			200	225	250	275	300	325	350	375	400	425	450	
4	134,3 cm	11	11	11	11	11	11	10	10	9	9	9	9	
5	162,15 cm	11	11	11	11	11	10	10	10	9	9	9	9	
6	190 cm	11	11	11	11	10	10	10	10	9	9	9	9	
7	217,85 cm	11	11	11	10	10	10	10	10	9	9	9	9	
8	245,7 cm	11	11	11	10	10	10	10	10	9	9	9	9	
9	273,55 cm	11	11	11	10	10	10	10	10	9	9	9	9	
10	301,4 cm	11	11	11	10	10	10	10	10	9	9	9	9	
11	329,25 cm	11	11	11	10	10	10	10	10	9	9	9	9	
12	357,1 cm	11	11	11	10	10	10	10	10	9	9	9	9	
13	384,95 cm	11	11	11	10	10	10	10	10	9	9	9	9	
14	412,8 cm	11	11	11	10	10	10	10	10	9	9	9	9	
15	440,65 cm	11	10	10	10	10	10	10	10	9	9	9	9	
16	468,5 cm	10	10	10	10	10	10	10	9	9	9	9	9	
17	496,35 cm	10	10	10	10	10	10	10	9	9	9	9	9	
18	524,2 cm	10	10	10	10	9	9	9	9	9	9	9	9	
19	552,05 cm	10	10	10	9	9	9	9	9	9	9	9	9	
20	579,9 cm	10	10	9	9	9	9	9	9	9	9	9	9	
21	607,75 cm	11	11	11	10	10	10	10	10	9	9	9	9	
22	635,6 cm	11	11	11	10	10	10	10	10	9	9	9	9	
23	663,45 cm	11	11	11	10	10	10	10	10	9	9	9	9	
24	691,3 cm	11	11	10	10	10	10	10	10	9	9	9	9	
25	719,15 cm	11	11	10	10	10	10	10	10	9	9	9	9	

NO OF PANEL	PROJECTION		WIDTH (cm)											
			200	225	250	275	300	325	350	375	400	425	450	
4	134,3 cm	11	11	11	11	11	11	10	10	9	9	9	9	
5	162,15 cm	11	11	11	11	11	10	10	10	10	9	9	9	
6	190 cm	11	11	11	11	10	10	10	10	10	9	9	9	
7	217,85 cm	11	11	11	10	10	10	10	10	10	9	9	9	
8	245,7 cm	11	11	11	10	10	10	10	10	10	9	9	9	
9	273,55 cm	11	11	11	10	10	10	10	10	10	9	9	9	
10	301,4 cm	10	10	10	9	9	9	9	9	9	8	8	8	
11	329,25 cm	10	10	10	9	9	9	9	9	9	8	8	8	
12	357,1 cm	10	10	10	9	9	9	9	9	9	8	8	8	
13	384,95 cm	10	10	10	9	9	9	9	9	9	8	8	8	
14	412,8 cm	10	10	10	9	9	9	9	9	9	8	8	8	
15	440,65 cm	9	9	9	9	9	9	9	9	9	8	8	8	
16	468,5 cm	9	9	9	9	9	9	9	9	9	8	8	8	
17	496,35 cm	9	9	9	9	9	8	8	8	8	8	8	8	
18	524,2 cm	9	9	9	9	8	8	8	8	8	8	8	8	
19	552,05 cm	9	9	9	8	8	8	8	8	8	8	8	8	
20	579,9 cm	8	8	8	8	8	8	8	8	8	8	8	8	
21	607,75 cm	10	10	10	10	9	9	9	9	9	9	9	9	
22	635,6 cm	10	10	10	10	9	9	9	9	9	9	9	9	
23	663,45 cm	10	10	10	10	9	9	9	9	9	9	9	9	
24	691,3 cm	10	10	10	10	9	9	9	9	9	9	9	9	
25	719,15 cm	10	10	10	10	9	9	9	9	9	9	9	9	

\*The values are given according to the Beaufort scale.

\*\*Calculated for Products with a front height of 300 cm according to Eurocode EN 1991-1-4 Terrain Category 4.

\*\*\* You can ask for new calculations for special designs.

\*The values are given according to the Beaufort scale.

\*\*Calculated for Products with a front height of 350 cm according to Eurocode EN 1991-1-4 Terrain Category 4.

\*\*\* You can ask for new calculations for special designs.

## SNOW LOAD

NO OF PANEL	PROJECTION		WIDTH (cm)	
			200	450
4	134,3	375	280	
20	582,9	90	75	
21	607,75	244	173	
25	719,15	216	120	

\* The values are given as kg/m<sup>2</sup> and are calculated for the units with a height of 300cm and without side closures.

NO OF PANEL	PROJECTION		WIDTH (cm)	
			200	450
4	134,3	350	198	
20	579,9	84	69	
21	607,75	225	131	
25	719,15	204	116	

\* The values are given as kg/m<sup>2</sup> and are calculated for the units with a height of 350cm and without side closures.

# SKYROOF PRESTIGE

## FREESTANDING

## WIDTH (cm)

PANEL	PROJECTION	200 cm	225 cm	250 cm	275 cm	300 cm	325 cm	350 cm	375 cm	400 cm	425 cm	450 cm
4	134,3 cm	€ 8.608	€ 8.836	€ 9.098	€ 9.352	€ 9.562	€ 9.849	€ 10.085	€ 10.331	€ 10.590	€ 10.849	€ 11.108
5	162,15 cm	€ 9.234	€ 9.504	€ 9.799	€ 10.090	€ 10.350	€ 10.662	€ 10.940	€ 11.226	€ 11.519	€ 11.812	€ 12.106
6	190 cm	€ 9.860	€ 10.173	€ 10.501	€ 10.827	€ 11.138	€ 11.475	€ 11.795	€ 12.120	€ 12.448	€ 12.776	€ 13.104
7	217,85 cm	€ 10.487	€ 10.841	€ 11.202	€ 11.565	€ 11.925	€ 12.288	€ 12.650	€ 13.013	€ 13.377	€ 13.741	€ 14.105
8	245,7 cm	€ 11.113	€ 11.510	€ 11.903	€ 12.302	€ 12.715	€ 13.101	€ 13.506	€ 13.907	€ 14.304	€ 14.702	€ 15.099
9	273,55 cm	€ 11.434	€ 11.852	€ 12.257	€ 12.677	€ 13.113	€ 13.512	€ 13.940	€ 14.354	€ 14.777	€ 15.199	€ 15.621
10	301,4 cm	€ 12.068	€ 12.526	€ 12.956	€ 13.418	€ 13.903	€ 14.342	€ 14.805	€ 15.243	€ 15.710	€ 16.178	€ 16.646
11	329,25 cm	€ 12.385	€ 12.870	€ 13.313	€ 13.793	€ 14.303	€ 14.770	€ 15.239	€ 15.691	€ 16.181	€ 16.671	€ 17.160
12	357,1 cm	€ 13.025	€ 13.535	€ 14.014	€ 14.535	€ 15.094	€ 15.610	€ 16.099	€ 16.581	€ 17.116	€ 17.651	€ 18.186
13	384,95 cm	€ 13.661	€ 14.204	€ 14.717	€ 15.283	€ 15.886	€ 16.448	€ 16.962	€ 17.472	€ 18.051	€ 18.631	€ 19.210
14	412,8 cm	€ 13.979	€ 14.543	€ 15.073	€ 15.665	€ 16.288	€ 16.871	€ 17.399	€ 17.924	€ 18.527	€ 19.129	€ 19.732
15	440,65 cm	€ 14.621	€ 15.216	€ 15.782	€ 16.418	€ 17.082	€ 17.711	€ 18.262	€ 18.817	€ 19.464	€ 20.111	€ 20.757
16	468,5 cm	€ 14.941	€ 15.556	€ 16.143	€ 16.799	€ 17.485	€ 18.136	€ 18.701	€ 19.269	€ 19.939	€ 20.609	€ 21.279
17	496,35 cm	€ 15.580	€ 16.230	€ 16.857	€ 17.554	€ 18.280	€ 18.977	€ 19.566	€ 20.163	€ 22.726	€ 23.717	€ 24.509
18	524,2 cm	€ 16.225	€ 16.904	€ 17.573	€ 18.310	€ 19.078	€ 19.818	€ 20.433	€ 22.906	€ 23.667	€ 24.429	€ 25.190
19	552,05 cm	€ 16.547	€ 17.246	€ 17.935	€ 18.695	€ 19.482	€ 20.247	€ 20.873	€ 23.363	€ 24.147	€ 24.933	€ 25.716
20	579,9 cm	€ 17.193	€ 17.921	€ 18.652	€ 19.453	€ 20.281	€ 21.089	€ 23.590	€ 24.262	€ 25.091	€ 25.919	€ 26.748
21	607,75 cm	€ 18.153	€ 18.899	€ 19.650	€ 20.471	€ 21.321	€ 22.153	€ 24.667	€ 25.354	€ 26.208	€ 27.061	€ 27.915
22	635,6 cm	€ 18.800	€ 19.577	€ 20.369	€ 21.230	€ 22.122	€ 24.849	€ 25.539	€ 26.256	€ 27.154	€ 28.052	€ 28.949
23	663,45 cm	€ 19.131	€ 19.922	€ 20.735	€ 21.616	€ 22.530	€ 25.280	€ 25.983	€ 26.715	€ 27.636	€ 28.557	€ 29.478
24	691,3 cm	€ 19.779	€ 20.600	€ 21.455	€ 22.379	€ 25.182	€ 26.129	€ 26.857	€ 27.618	€ 28.585	€ 29.552	€ 30.518
25	719,15 cm	€ 20.427	€ 21.278	€ 22.175	€ 23.142	€ 25.532	€ 26.978	€ 27.731	€ 28.523	€ 29.534	€ 30.546	€ 31.559

BP1-BP	BP2-BP	
Covering	Wall Bracket	
€ 44	€ 112	2 pcs
€ 44	€ 112	
€ 44	€ 112	3 pcs
€ 44	€ 112	
€ 44	€ 112	
€ 44	€ 168	4 pcs
€ 44	€ 168	
€ 44	€ 168	
€ 44	€ 168	
€ 44	€ 223	5 pcs
€ 44	€ 223	
€ 44	€ 223	
€ 44	€ 223	
€ 44	€ 223	
€ 88	€ 279	
€ 88	€ 279	
€ 88	€ 279	
€ 88	€ 279	
€ 88	€ 279	

BP1-BW	Covering	€ 44	€ 44	€ 44	€ 44	€ 44	€ 44	€ 44	€ 44	€ 44	€ 44	€ 44	
BP2-BW	Wall Bracket	€ 115	€ 115	€ 115	€ 115	€ 115	€ 172	€ 172	€ 172	€ 172	€ 172	€ 172	
<b>Number Of Wall Bracket</b>		2 pcs						3 pcs					

BP1-BW	Wall Covering Profile
BP2-BW	Wall Bracket (Plus & Prestige)
BP1-BP	Wall Covering Profile
BP2-BP	Wall Bracket (Plus & Prestige)

## OPTIONS

<b>BP4</b>	Perimeter LED	€ 86	lm
<b>BP4-RGB</b>	Perimeter RGB LED	€ 94	lm
<b>BP4-RGBWW</b>	Perimeter RGBWW LED	€ 107	lm
<b>BP5-B</b>	Extra Pillar (150x150x3 mm - Al)	€ 417	set
<b>BP7</b>	Polyurethan foam	€ 151	m <sup>2</sup>
<b>FS19</b>	Fix louver	€ 74	lm
<b>FS29-1</b>	Sun Sensor (SUNIS)	€ 625	pcs
<b>FS29-2</b>	Wind Sensor (EOLIS RTS)	€ 292	pcs
<b>FS29-3</b>	Sun and Wind Sensor (SOLIRIS RTS)	€ 331	pcs
<b>FS29-4<sup>8</sup></b>	Rain Sensor (ONDEIS)	€ 574	pcs
<b>FS30</b>	CONNEXOON	€ 525	pcs
<b>BP13<sup>7</sup></b>	Inner aluminium drainage set on steel pillars	€ 280	set
<b>BP14-P1</b>	Hidden Anchorage set for Plus - Prestige (with drainage)	€ 119	set
<b>BP14-P2</b>	Hidden Anchorage set for Plus - Prestige (without drainage)	€ 61	set

## STEEL CONSTRUCTION

Beam Group		
<b>150x150x3mm St</b>	€ 446	lm
<b>150x150x5mm St</b>	€ 624	lm
<b>150x150x6mm St</b>	€ 738	lm
<b>150x200x3mm St</b>	€ 520	lm
<b>150x200x5mm St</b>	€ 783	lm
<b>150x200x6mm St</b>	€ 927	lm
<b>150x250x6mm St</b>	€ 1.069	lm
<b>150x250x8mm St</b>	€ 1.461	lm
<b>200x200x6mm St</b>	€ 1.068	lm
<b>200x300x6mm St</b>	€ 1.352	lm
<b>200x300x8mm St</b>	€ 1.838	lm

Pillar Group		
<b>150x150x3mm St</b>	€ 707	set
<b>150x150x5mm St</b>	€ 1.250	set
<b>200x200x6mm St</b>	€ 1.808	set

\* For more steel sections, please refer to our component list.

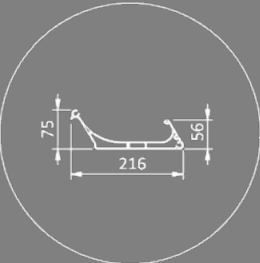
## NOTES:

1. If projection is bigger than 579,9cm (20th panel), an additional pillar is required on each side. It is included in the price.
2. For wall installations, 3 cm must be added to the projection size.
3. For ceiling installations, 16 cm must be added to the projection size.
4. Palmiye Aluminium Coating Catalogue includes the standard colours with no extra cost. For any other type/brand/coulor of paint, price difference and additional delivery duration shall be checked from your customer representative.
5. Support pillar deduction can apply only when supported by wall bracket or steel application.
6. If rain sensor is needed; For single product, a Dry contact transmitter which costs 366€, must be added to the price. For up to 5 products, a RS485 Automation interface Dry contact transmitter which costs 1119€ must be added to the price.
7. Water outlets can be optionally given through the steel pillars.
8. The corner pillars can be moved max. 50cm.
9. For wall installed products, a wall bracket is required in every 150cm.

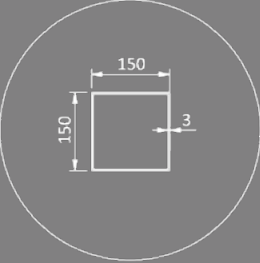
## DEDUCTION

1. Deduction to short pillar -€51
2. Support pillar deduction cost is -€397

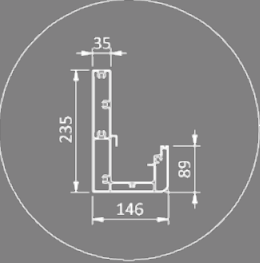
# SKYROOF PLUS



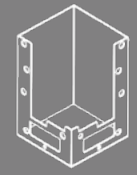
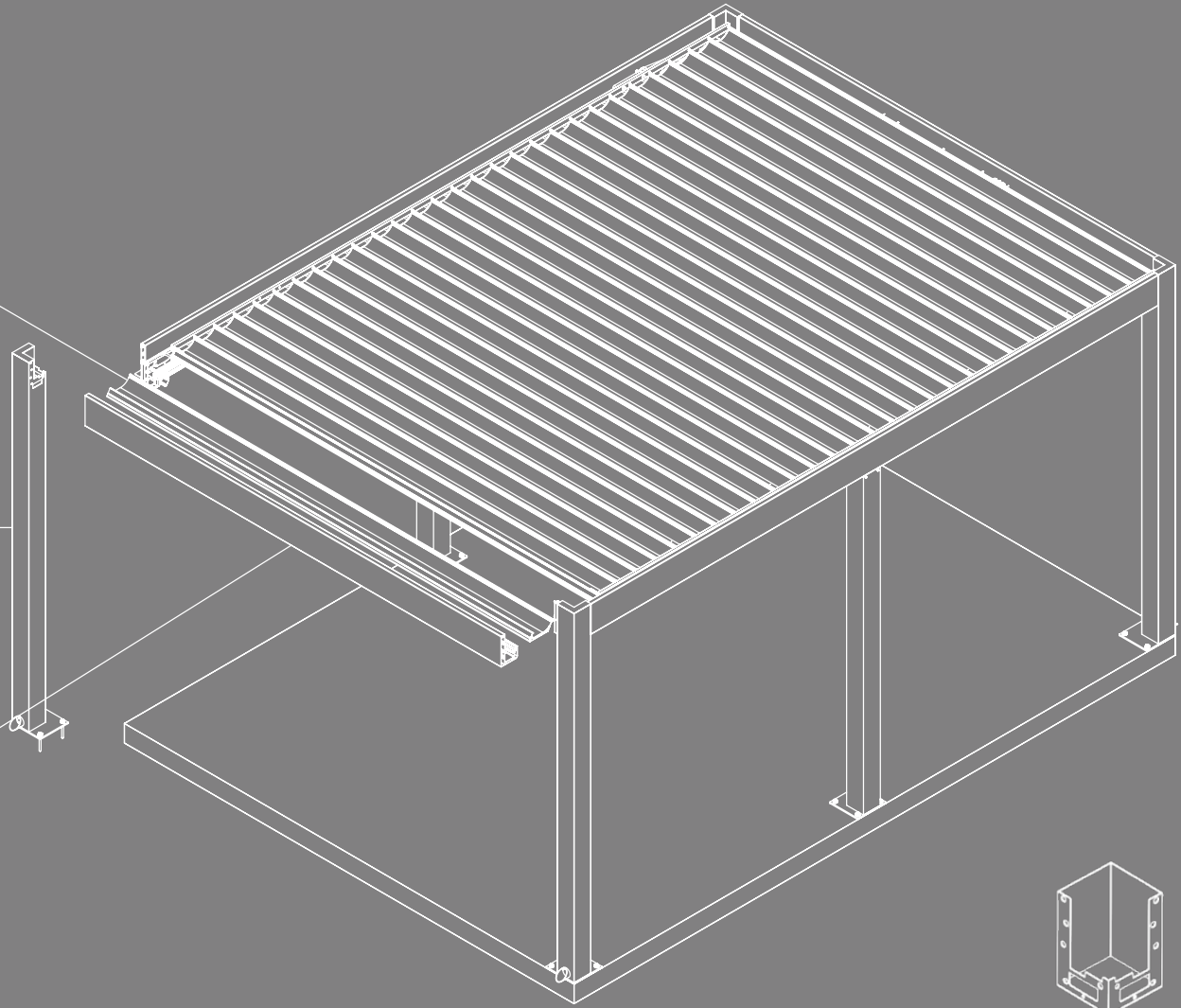
Panel



Pillar



Integrated Beam



Short pillar

## REQUIRED WATER DRAINAGE

NO OF PANEL	PROJECTION	WIDTH (cm)										
		200	225	250	275	300	325	350	375	400	425	450
11	218,2 cm	1	1	1	1	1	1	1	1	1	1	1
12	235,8 cm	1	1	1	1	1	1	1	1	1	1	1
13	253,4 cm	1	1	1	1	1	1	1	1	1	1	1
14	271,0 cm	1	1	1	1	1	1	1	1	1	1	1
15	288,6 cm	1	1	1	1	1	1	1	1	1	1	1
16	306,2 cm	1	1	1	1	1	1	1	1	1	1	2
17	323,8 cm	1	1	1	1	1	1	1	1	1	2	2
18	341,4 cm	1	1	1	1	1	1	1	1	2	2	2
19	359,0 cm	1	1	1	1	1	1	1	2	2	2	2
20	376,6 cm	1	1	1	1	1	1	2	2	2	2	2
21	394,2 cm	1	1	1	1	1	2	2	2	2	2	2
22	411,8 cm	1	1	1	1	1	2	2	2	2	2	2
23	429,4 cm	1	1	1	1	2	2	2	2	2	2	2
24	447,0 cm	1	1	1	1	2	2	2	2	2	2	2
25	464,6 cm	1	1	1	2	2	2	2	2	2	2	2
26	482,2 cm	1	1	1	2	2	2	2	2	2	2	2
27	499,8 cm	1	1	2	2	2	2	2	2	2	2	2
28	517,4 cm	1	1	2	2	2	2	2	2	2	2	2
29	535,0 cm	1	1	2	2	2	2	2	2	2	2	2
30	552,6 cm	1	1	2	2	2	2	2	2	2	2	2
31	570,2 cm	1	1	2	2	2	2	2	2	2	2	2
32	587,8 cm	1	1	2	2	2	2	2	2	2	2	2
33	605,4 cm	1	2	2	2	2	2	2	2	2	3	3
34	623,0 cm	1	2	2	2	2	2	2	2	2	3	3
35	640,6 cm	1	2	2	2	2	2	2	2	3	3	3
36	658,2 cm	1	2	2	2	2	2	2	2	3	3	3
37	675,8 cm	1	2	2	2	2	2	2	2	3	3	3
38	693,4 cm	2	2	2	2	2	2	2	2	3	3	3
39	711,0 cm	2	2	2	2	2	2	2	3	3	3	3
40	728,6 cm	2	2	2	2	2	2	2	3	3	3	3
41	746,2 cm	2	2	2	2	2	2	3	3	3	3	3
42	763,8 cm	2	2	2	2	2	2	3	3	3	3	3
43	781,4 cm	2	2	2	2	2	3	3	3	3	3	3
44	799,0 cm	2	2	2	2	2	3	3	3	3	3	3

## WIND RESISTANCE

NO OF PANEL	PROJECTION	WIDTH (cm)	
		250	450
8	165,4	11	9
32	587,8	10	9
33	605,4	11	9
44	799	10	9

\* The values are given according to the Beaufort scale.  
 \*\* Calculated for Products with a front height of 300 cm according to Eurocode EN 1991-1-4 Terrain Category 4.  
 \*\*\* You can ask for new calculations for special designs.

## SNOW LOAD

NO OF PANEL	PROJECTION	WIDTH (cm)	
		200	450
11	218	336	228
32	588	84	64
33	605	245	151
44	799	219	123

\* The values are given as kg/m<sup>2</sup> and are calculated for the units with a height of 300 cm and without side closures.

NO OF PANEL	PROJECTION	WIDTH (cm)	
		250	450
8	165,4	11	9
32	587,8	9	8
33	605,4	10	9
44	799	10	8

\* The values are given according to the Beaufort scale.  
 \*\* Calculated for Products with a front height of 300 cm according to Eurocode EN 1991-1-4 Terrain Category 4.  
 \*\*\* You can ask for new calculations for special designs.

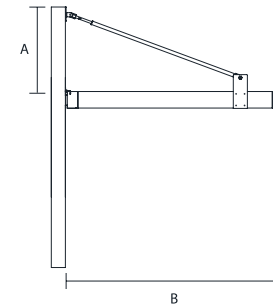
NO OF PANEL	PROJECTION	WIDTH (cm)	
		200	450
11	218	308	204
32	588	79	60
33	605	229	147
44	799	195	120

\* The values are given as kg/m<sup>2</sup> and are calculated for the units with a height of 300 cm and without side closures.

### MINIMUM "A" VALUES

For hanging options

B (cm)	150 - 359	359 - 450	> 450
A (cm)	50	100	120



# SKYROOF PLUS

PANEL	FREESTANDING												BP1-AP	BP2-BP
	PROJECTION	200 cm	225 cm	250 cm	275 cm	300 cm	325 cm	350 cm	375 cm	400 cm	425 cm	450 cm	Covering	Wall Bracket
11	218,2 cm	€ 9.703	€ 10.024	€ 10.351	€ 10.680	€ 11.007	€ 11.334	€ 11.661	€ 11.987	€ 12.314	€ 12.643	€ 12.970	€ 57	€ 115
12	235,8 cm	€ 9.984	€ 10.327	€ 10.672	€ 11.016	€ 11.367	€ 11.705	€ 12.048	€ 12.393	€ 12.737	€ 13.078	€ 13.422	€ 57	€ 115
13	253,4 cm	€ 10.276	€ 10.636	€ 10.992	€ 11.354	€ 11.727	€ 12.076	€ 12.441	€ 12.803	€ 13.161	€ 13.521	€ 13.883	€ 57	€ 115
14	271 cm	€ 10.566	€ 10.944	€ 11.312	€ 11.692	€ 12.087	€ 12.447	€ 12.834	€ 13.207	€ 13.587	€ 13.962	€ 14.342	€ 57	€ 115
15	288,6 cm	€ 10.852	€ 11.253	€ 11.631	€ 12.030	€ 12.447	€ 12.818	€ 13.227	€ 13.611	€ 14.011	€ 14.403	€ 14.801	€ 57	€ 115
16	306,2 cm	€ 11.144	€ 11.561	€ 11.951	€ 12.368	€ 12.807	€ 13.203	€ 13.620	€ 14.015	€ 14.436	€ 14.843	€ 15.260	€ 57	€ 172
17	323,8 cm	€ 11.431	€ 11.870	€ 12.270	€ 12.706	€ 13.167	€ 13.589	€ 14.011	€ 14.419	€ 14.860	€ 15.284	€ 15.719	€ 57	€ 172
18	341,4 cm	€ 11.723	€ 12.178	€ 12.590	€ 13.043	€ 13.526	€ 13.973	€ 14.403	€ 14.823	€ 15.284	€ 15.725	€ 16.179	€ 57	€ 172
19	359 cm	€ 12.013	€ 12.476	€ 12.909	€ 13.381	€ 13.886	€ 14.353	€ 14.794	€ 15.227	€ 15.708	€ 16.166	€ 16.638	€ 57	€ 172
20	376,6 cm	€ 12.300	€ 12.779	€ 13.229	€ 13.719	€ 14.246	€ 14.733	€ 15.185	€ 15.631	€ 16.133	€ 16.606	€ 17.097	€ 57	€ 172
21	394,2 cm	€ 12.592	€ 13.084	€ 13.549	€ 14.061	€ 14.606	€ 15.113	€ 15.576	€ 16.035	€ 16.557	€ 17.047	€ 17.556	€ 57	€ 172
22	411,8 cm	€ 12.878	€ 13.389	€ 13.868	€ 14.403	€ 14.966	€ 15.493	€ 15.967	€ 16.439	€ 16.981	€ 17.488	€ 18.015	€ 57	€ 172
23	429,4 cm	€ 13.170	€ 13.694	€ 14.188	€ 14.744	€ 15.326	€ 15.874	€ 16.359	€ 16.843	€ 17.405	€ 17.929	€ 18.474	€ 57	€ 172
24	447 cm	€ 13.460	€ 13.998	€ 14.511	€ 15.086	€ 15.686	€ 16.254	€ 16.750	€ 17.247	€ 17.830	€ 18.370	€ 20.623	€ 57	€ 172
25	464,6 cm	€ 13.747	€ 14.303	€ 14.834	€ 15.427	€ 16.046	€ 16.634	€ 17.141	€ 17.651	€ 18.254	€ 18.810	€ 21.082	€ 57	€ 230
26	482,2 cm	€ 14.039	€ 14.608	€ 15.157	€ 15.769	€ 16.406	€ 17.014	€ 17.532	€ 18.056	€ 20.368	€ 20.941	€ 21.541	€ 57	€ 230
27	499,8 cm	€ 14.325	€ 14.913	€ 15.481	€ 16.111	€ 16.766	€ 17.394	€ 17.923	€ 18.460	€ 20.792	€ 21.382	€ 22.001	€ 57	€ 230
28	517,4 cm	€ 14.617	€ 15.218	€ 15.804	€ 16.452	€ 17.126	€ 17.775	€ 18.314	€ 18.864	€ 21.216	€ 21.822	€ 22.460	€ 57	€ 230
29	535 cm	€ 14.909	€ 15.523	€ 16.127	€ 16.794	€ 17.486	€ 18.155	€ 18.706	€ 20.957	€ 21.641	€ 22.263	€ 22.919	€ 57	€ 230
30	552,6 cm	€ 15.195	€ 15.828	€ 16.450	€ 17.135	€ 17.846	€ 18.535	€ 19.097	€ 21.361	€ 22.065	€ 22.704	€ 23.378	€ 57	€ 230
31	570,2 cm	€ 15.487	€ 16.133	€ 16.774	€ 17.477	€ 18.206	€ 18.915	€ 19.488	€ 21.765	€ 22.489	€ 23.145	€ 23.837	€ 57	€ 230
32	587,8 cm	€ 15.779	€ 16.437	€ 17.097	€ 17.819	€ 18.566	€ 19.295	€ 21.569	€ 22.169	€ 22.913	€ 23.586	€ 24.296	€ 57	€ 230
33	605,4 cm	€ 16.650	€ 17.323	€ 18.000	€ 18.741	€ 19.506	€ 20.256	€ 22.540	€ 23.154	€ 23.918	€ 24.607	€ 25.336	€ 114	€ 287
34	623 cm	€ 16.941	€ 17.628	€ 18.324	€ 19.082	€ 19.866	€ 22.326	€ 22.932	€ 23.558	€ 24.342	€ 25.047	€ 25.795	€ 114	€ 287
35	640,6 cm	€ 17.233	€ 17.932	€ 18.647	€ 19.424	€ 20.226	€ 22.706	€ 23.323	€ 23.962	€ 24.766	€ 25.488	€ 26.254	€ 114	€ 287
36	658,2 cm	€ 17.524	€ 18.237	€ 18.970	€ 19.765	€ 20.586	€ 23.086	€ 23.714	€ 24.366	€ 25.191	€ 25.929	€ 26.713	€ 114	€ 287
37	675,8 cm	€ 17.815	€ 18.542	€ 19.293	€ 20.107	€ 22.636	€ 23.466	€ 24.105	€ 24.770	€ 25.615	€ 26.370	€ 27.172	€ 114	€ 287
38	693,4 cm	€ 18.107	€ 18.847	€ 19.617	€ 20.449	€ 22.996	€ 23.846	€ 24.496	€ 25.174	€ 26.039	€ 26.811	€ 27.632	€ 114	€ 287
39	711 cm	€ 18.398	€ 19.152	€ 19.940	€ 20.790	€ 23.356	€ 24.226	€ 24.888	€ 25.578	€ 26.463	€ 27.251	€ 28.091	€ 114	€ 287
40	728,6 cm	€ 18.689	€ 19.457	€ 20.263	€ 22.821	€ 23.716	€ 24.607	€ 25.279	€ 25.982	€ 26.888	€ 27.692	€ 28.550	€ 114	€ 287
41	746,2 cm	€ 18.980	€ 19.762	€ 20.586	€ 23.163	€ 24.076	€ 24.987	€ 25.670	€ 26.386	€ 27.312	€ 28.133	€ 29.009	€ 114	€ 287
42	763,8 cm	€ 19.272	€ 20.067	€ 20.910	€ 23.505	€ 24.436	€ 25.367	€ 26.061	€ 26.790	€ 27.736	€ 28.574	€ 29.468	€ 114	€ 352
43	781,4 cm	€ 19.563	€ 20.371	€ 21.233	€ 23.846	€ 24.796	€ 25.747	€ 26.452	€ 27.194	€ 28.160	€ 29.014	€ 29.927	€ 114	€ 352
44	799 cm	€ 19.854	€ 20.676	€ 21.556	€ 24.188	€ 25.156	€ 26.127	€ 26.844	€ 27.598	€ 28.585	€ 29.455	€ 30.386	€ 114	€ 352
BP1-AW	Covering	€ 57	€ 57	€ 57	€ 57	€ 57	€ 57	€ 57	€ 57	€ 57	€ 57	€ 57		
BP2-BW	Wall Bracket	€ 115	€ 115	€ 115	€ 115	€ 115	€ 172	€ 172	€ 172	€ 172	€ 172	€ 172		
Number of wall bracket		2 pcs					3 pcs							

## OPTIONS

<b>BP3-A</b>	2 Linear LED	€ 241	modul
<b>BP3-A-RGB</b>	2 Linear RGB LED	€ 306	modul
<b>BP3-B</b>	3 Linear LED	€ 313	modul
<b>BP3-B-RGB</b>	3 Linear RGB LED	€ 397	modul
<b>BP4</b>	Perimeter LED	€ 86	lm
<b>BP4-RGB</b>	Perimeter RGB LED	€ 94	lm
<b>BP4-RGBWW</b>	Perimeter RGBWW LED	€ 107	lm
<b>BP5-B</b>	Extra Pillar (150x150x3 mm - Al)	€ 417	set
<b>BP7</b>	Polyurethan foam	€ 151	m <sup>2</sup>
<b>FS19</b>	Fix louver	€ 74	lm
<b>BP8</b>	Sun Sensor (SUNIS) (with Universal Receiver RTS)	€ 989	pcs
<b>BP9</b>	Wind Sensor (EOLIS RTS) (with Universal Receiver RTS)	€ 657	pcs
<b>BP10</b>	Sun and Wind Sensor (SOLIRIS RTS) (with Universal Receiver RTS)	€ 696	pcs
<b>BP11<sup>8</sup></b>	Rain Sensor (ONDEIS) (with Universal Receiver RTS)	€ 939	pcs
<b>FS30</b>	CONNEXOON	€ 525	pcs
<b>BP12-P1<sup>9</sup></b>	Hanging (Right or Left Side)	€ 717	set
<b>BP12-P2<sup>9</sup></b>	Hanging (Front)	€ 707	set
<b>BP12-P3<sup>9</sup></b>	Hanging (Module)	€ 807	set
<b>BP13<sup>10</sup></b>	Inner aluminium drainage set on steel pillars	€ 280	set
<b>BP14-P<sup>1</sup></b>	Hidden Anchorage set for Plus - Prestige (with drainage)	€ 119	set
<b>BP14-P<sup>2</sup></b>	Hidden Anchorage set for Plus - Prestige (without drainage)	€ 61	set

## STEEL CONSTRUCTION

Beam Group		
<b>150x150x3mm St</b>	€ 446	lm
<b>150x150x5mm St</b>	€ 624	lm
<b>150x150x6mm St</b>	€ 738	lm
<b>150x200x3mm St</b>	€ 520	lm
<b>150x200x5mm St</b>	€ 783	lm
<b>150x200x6mm St</b>	€ 927	lm
<b>150x250x6mm St</b>	€ 1.069	lm
<b>150x250x8mm St</b>	€ 1.461	lm
<b>200x200x6mm St</b>	€ 1.068	lm
<b>200x300x6mm St</b>	€ 1.352	lm
<b>200x300x8mm St</b>	€ 1.838	lm

## Pillar Group

<b>150x150x3mm St</b>	€ 707	set
<b>150x150x5mm St</b>	€ 1.250	set
<b>200x200x6mm St</b>	€ 1.808	set

\* For more steel sections, please refer to our component list.

BP1-AW	Covering Z bending for width side
BP2-BW	Wall Bracket (Plus & Prestige)
BP1-AP	Covering Z bending for projection side
BP2-BP	Wall Bracket (Plus & Prestige)

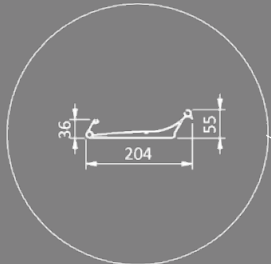
## NOTES:

1. If projection is bigger than 587,8 cm (32th panel), an additional pillar is required on each side. It is included in the price.
2. For wall installations, 3 cm must be added to the projection size.
3. For ceiling installations, 16 cm must be added to the projection size.
4. Palmiye Aluminium Coating Catalogue includes the standard colours with no extra cost. For any other type/brand/color of paint, price difference and additional delivery duration shall be checked from your customer representative.
5. Support pillar deduction can apply only when supported by wall bracket or steel application.
6. If rain sensor is needed; For single product, a Dry contact transmitter which costs 366€, must be added to the price. For up to 5 products, a RS485 Automation interface Dry contact transmitter which costs 1119€ must be added to the price.
7. For available sizes please refer to related hanging models.
8. Water outlets can be optionally given through the steel pillars.
9. The corner pillars can be moved max. 50cm.
10. Hanging models can be made as wall/ceiling connections, cannot be freestanding. If projection is in the range of 359 cm – 447cm, a hanging pipe is applied to the front gutter beam of the product. In this case, 2 pipes should be applied in each direction. Additional pipes should be priced from option price. For projections more than 447cm, the maximum projection is determined according to the pipe profile length. The maximum pipe profile length can not be more than 600 cm. A middle hanging pipe will be used only in projection sizes after 450cm.
11. For wall installed products, a wall bracket is required in every 150cm.

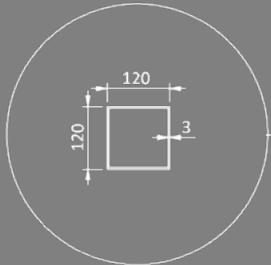
## DEDUCTION

1. Deduction to short pillar -€51
2. Support pillar deduction cost is -€397

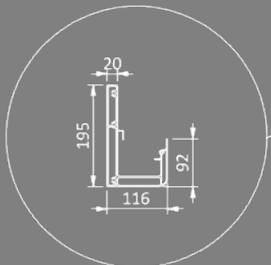
# SKYROOF COMPACT



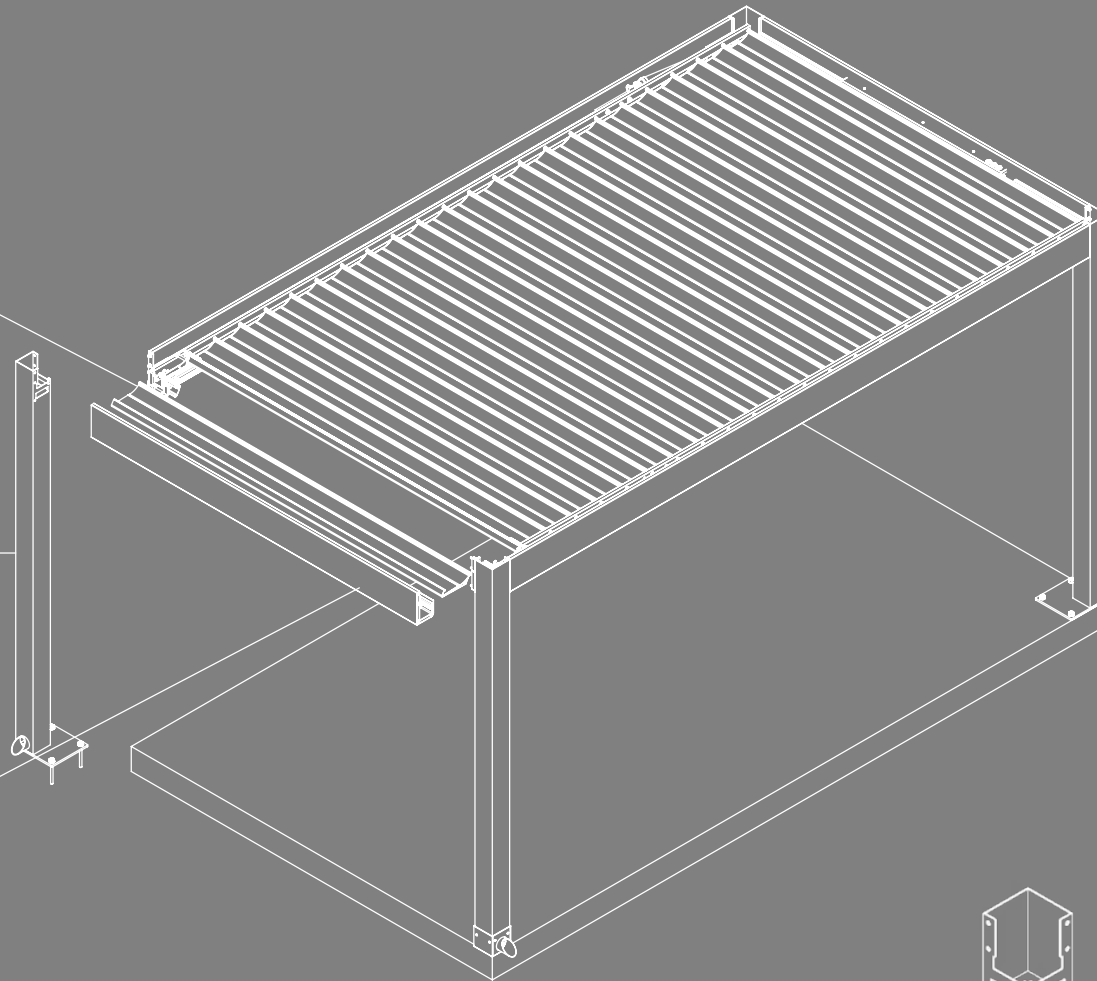
Panel



Pillar



Integrated Beam



Short pillar

## REQUIRED WATER DRAINAGE

NO OF PANEL	PROJECTION	WIDTH (cm)						
		150	200	250	300	350	375	400
8	160,3 cm	1	1	1	1	1	1	1
9	177,9 cm	1	1	1	1	1	1	1
10	195,5 cm	1	1	1	1	1	1	1
11	213,1 cm	1	1	1	1	1	1	1
12	230,7 cm	1	1	1	1	1	1	1
13	248,3 cm	1	1	1	1	1	1	1
14	265,9 cm	1	1	1	1	1	1	1
15	283,5 cm	1	1	1	1	1	1	1
16	301,1 cm	1	1	1	1	1	1	2
17	318,7 cm	1	1	1	1	1	1	2
18	336,3 cm	1	1	1	1	1	1	2
19	353,9 cm	1	1	1	1	1	2	2
20	371,5 cm	1	1	1	1	1	2	2
21	389,1 cm	1	1	1	1	1	2	2
22	406,7 cm	1	1	1	1	2	2	2
23	424,3 cm	1	1	1	1	2	2	2
24	441,9 cm	1	1	1	1	2	2	2
25	459,5 cm	1	1	1	2	2	2	2
26	477,1 cm	1	1	1	2	2	2	2
27	494,7 cm	1	1	1	2	2	2	2
28	512,3 cm	1	1	2	2	2	2	2
29	529,9 cm	1	1	2	2	2	2	2
30	547,5 cm	1	1	2	2	2	2	2
31	565,1 cm	1	2	2	2	2	2	2
32	582,7 cm	1	2	2	2	2	2	2
33	600,3 cm	1	2	2	2	2	2	2

## WIND RESISTANCE

NO OF PANEL	PROJECTION	WIDTH (cm)	
		150	400
8	160,3	9	6
33	600,3	6	5

\*The values are given according to the Beaufort scale.  
 \*\* Calculated for Products with a front height of 300 cm according to Eurocode EN 1991-1-4 Terrain Category 4.  
 \*\*\* You can ask for new calculations for special designs.

## SNOW LOAD

NO OF PANEL	PROJECTION	WIDTH (cm)	
		150	400
8	160,3	199	150
33	600,3	42	31

\* The values are given as kg/m<sup>2</sup> and are calculated for the units with a height of 300cm and without side closures.

NO OF PANEL	PROJECTION	WIDTH (cm)	
		150	400
8	160,3	9	6
33	600,3	6	5

\* The values are given according to the Beaufort scale.  
 \*\* Calculated for Products with a front height of 300 cm according to Eurocode EN 1991-1-4 Terrain Category 4.  
 \*\*\* You can ask for new calculations for special designs.

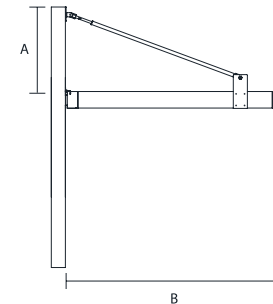
NO OF PANEL	PROJECTION	WIDTH (cm)	
		150	400
11	160,3	189	350
33	600,3	41	29

\* The values are given as kg/m<sup>2</sup> and are calculated for the units with a height of 350cm and without side closures.

### MINIMUM "A" VALUES

For hanging options

B (cm)	150 - 353,9	353,9 - 441,9	> 441,9
A (cm)	50	100	120



# SKYROOF COMPACT

PANEL	FREESTANDING												BP1-AP		BP2-AP	
	PROJECTION	WIDTH (cm)											Covering	Wall Bracket		
		150 cm	175 cm	200 cm	225 cm	250 cm	275 cm	300 cm	325 cm	350 cm	375 cm	400 cm				
8	160,3 cm	€ 6.690	€ 6.939	€ 7.402	€ 7.632	€ 7.862	€ 8.089	€ 8.308	€ 8.528	€ 8.781	€ 9.307	€ 9.568	€ 56	€ 107		
9	177,9 cm	€ 6.923	€ 7.175	€ 7.639	€ 7.882	€ 8.125	€ 8.366	€ 8.602	€ 8.838	€ 9.097	€ 9.637	€ 9.904	€ 56	€ 107		
10	195,5 cm	€ 7.155	€ 7.411	€ 7.877	€ 8.131	€ 8.387	€ 8.644	€ 8.896	€ 9.149	€ 9.413	€ 9.967	€ 10.239	€ 56	€ 107		
11	213,1 cm	€ 7.388	€ 7.647	€ 8.115	€ 8.380	€ 8.650	€ 8.921	€ 9.190	€ 9.460	€ 9.728	€ 10.297	€ 10.574	€ 56	€ 107		
12	230,7 cm	€ 7.620	€ 7.883	€ 8.346	€ 8.630	€ 8.915	€ 9.198	€ 9.487	€ 9.765	€ 10.048	€ 10.640	€ 10.931	€ 56	€ 107		
13	248,3 cm	€ 7.853	€ 8.119	€ 8.587	€ 8.884	€ 9.178	€ 9.476	€ 9.784	€ 10.071	€ 10.371	€ 10.992	€ 11.302	€ 56	€ 107		
14	265,9 cm	€ 8.086	€ 8.355	€ 8.826	€ 9.138	€ 9.441	€ 9.755	€ 10.080	€ 10.376	€ 10.695	€ 11.344	€ 11.672	€ 56	€ 107		
15	283,5 cm	€ 8.318	€ 8.591	€ 9.062	€ 9.392	€ 9.704	€ 10.032	€ 10.376	€ 10.681	€ 11.018	€ 11.695	€ 12.042	€ 56	€ 107		
16	301,1 cm	€ 8.551	€ 8.826	€ 9.302	€ 9.646	€ 9.967	€ 10.310	€ 10.672	€ 10.998	€ 11.341	€ 12.034	€ 12.387	€ 56	€ 160		
17	318,7 cm	€ 8.783	€ 9.062	€ 9.537	€ 9.899	€ 10.229	€ 10.588	€ 10.967	€ 11.315	€ 11.662	€ 12.369	€ 12.726	€ 56	€ 160		
18	336,3 cm	€ 9.016	€ 9.298	€ 9.777	€ 10.152	€ 10.491	€ 10.865	€ 11.263	€ 11.629	€ 11.982	€ 12.705	€ 13.069	€ 56	€ 160		
19	353,9 cm	€ 9.248	€ 9.534	€ 10.015	€ 10.396	€ 10.753	€ 11.142	€ 11.558	€ 11.941	€ 12.303	€ 13.044	€ 13.417	€ 56	€ 160		
20	371,5 cm	€ 9.481	€ 9.770	€ 10.249	€ 10.644	€ 11.015	€ 11.419	€ 11.852	€ 12.252	€ 12.623	€ 13.383	€ 13.765	€ 56	€ 160		
21	389,1 cm	€ 9.714	€ 10.006	€ 10.488	€ 10.894	€ 11.276	€ 11.698	€ 12.147	€ 12.563	€ 12.943	€ 13.722	€ 14.113	€ 56	€ 160		
22	406,7 cm	€ 9.946	€ 10.242	€ 10.723	€ 11.143	€ 11.538	€ 11.977	€ 12.441	€ 12.874	€ 13.263	€ 14.061	€ 14.461	€ 56	€ 160		
23	424,3 cm	€ 10.179	€ 10.478	€ 10.961	€ 11.393	€ 11.799	€ 12.257	€ 12.735	€ 13.185	€ 13.582	€ 14.399	€ 14.808	€ 56	€ 160		
24	441,9 cm	€ 10.411	€ 10.714	€ 11.198	€ 11.641	€ 12.063	€ 12.536	€ 13.029	€ 13.495	€ 13.901	€ 14.737	€ 15.155	€ 56	€ 160		
25	459,5 cm	€ 10.644	€ 10.950	€ 11.432	€ 11.890	€ 12.326	€ 12.814	€ 13.323	€ 13.805	€ 14.220	€ 15.074	€ 15.502	€ 56	€ 213		
26	477,1 cm	€ 10.877	€ 11.186	€ 11.670	€ 12.139	€ 12.590	€ 13.093	€ 13.616	€ 14.115	€ 14.539	€ 15.412	€ 15.848	€ 56	€ 213		
27	494,7 cm	€ 11.109	€ 11.421	€ 11.904	€ 12.387	€ 12.853	€ 13.371	€ 13.909	€ 14.425	€ 14.857	€ 15.749	€ 16.194	€ 56	€ 213		
28	512,3 cm	€ 11.342	€ 11.657	€ 12.141	€ 12.635	€ 13.116	€ 13.649	€ 14.202	€ 14.734	€ 15.175	€ 16.085	€ 16.540	€ 56	€ 213		
29	529,9 cm	€ 11.922	€ 12.250	€ 12.749	€ 13.270	€ 13.781	€ 14.345	€ 14.930	€ 15.495	€ 15.958	€ 16.422	€ 16.886	€ 56	€ 213		
30	547,5 cm	€ 12.161	€ 12.493	€ 12.994	€ 13.525	€ 14.052	€ 14.631	€ 15.232	€ 15.813	€ 16.286	€ 16.759	€ 17.232	€ 56	€ 266		
31	565,1 cm	€ 12.401	€ 12.736	€ 13.238	€ 13.781	€ 14.323	€ 14.917	€ 15.533	€ 16.132	€ 16.614	€ 17.096	€ 17.578	€ 56	€ 266		
32	582,7 cm	€ 12.640	€ 12.979	€ 13.482	€ 14.037	€ 14.594	€ 15.204	€ 15.835	€ 16.450	€ 16.941	€ 17.432	€ 17.923	€ 56	€ 266		
33	600,3 cm	€ 12.880	€ 13.222	€ 13.726	€ 14.292	€ 14.865	€ 15.490	€ 16.137	€ 16.769	€ 17.269	€ 17.769	€ 18.269	€ 56	€ 266		
BP1-AW	Covering	€ 57	€ 57	€ 57	€ 57	€ 57	€ 57	€ 57	€ 57	€ 57	€ 57	€ 57				
BP2-AW	Wall Bracket	€ 107	€ 107	€ 107	€ 107	€ 107	€ 107	€ 107	€ 160	€ 160	€ 160	€ 160				
Number of wall bracket		2 pcs						3 pcs								

## OPTIONS

BP4	Perimeter LED	€ 86	lm
BP4-RGB	Perimeter RGB LED	€ 94	lm
BP4-RGBWW	Perimeter RGBWW LED	€ 107	lm
BP5-A	Extra Pillar (120x120x3mm - Al)	€ 334	set
FS19	Fix louver	€ 74	lm
BP8	Sun Sensor (SUNIS) (with Universal Receiver RTS)	€ 989	pcs
BP9	Wind Sensor (EOLIS RTS) (with Universal Receiver RTS)	€ 657	pcs
BP10	Sun and Wind Sensor (SOLIRIS RTS) (with Universal Receiver RTS)	€ 696	pcs
BP11 <sup>7</sup>	Rain Sensor (ONDEIS) (with Universal Receiver RTS)	€ 939	pcs
FS30	CONNEXOON	€ 525	pcs
BP12-C1 <sup>9</sup>	Hanging (Right or Left Side)	€ 717	set
BP12-C2 <sup>9</sup>	Hanging (Front)	€ 702	set
BP12-C3 <sup>9</sup>	Hanging (Module)	€ 799	set
BP13 <sup>10</sup>	Inner aluminium drainage set on steel pillars	€ 280	set
BP14-C1	Hidden Anchorage set for Compact (with drainage)	€ 114	set
BP14-C2	Hidden Anchorage set for Compact (without drainage)	€ 53	set

## STEEL CONSTRUCTION

Beam Group		
120x120x3mm St	€ 356	lm
120x120x5mm St	€ 492	lm
150x150x3mm St	€ 446	lm
150x150x5mm St	€ 624	lm
150x150x6mm St	€ 738	lm
150x200x3mm St	€ 520	lm
150x200x5mm St	€ 783	lm
150x200x6mm St	€ 927	lm
150x250x6mm St	€ 1.069	lm
150x250x8mm St	€ 1.461	lm
200x200x6mm St	€ 1.068	lm
200x300x6mm St	€ 1.352	lm
200x300x8mm St	€ 1.838	lm

## Pillar Group

120x120x3mm St	€ 563	set
120x120x5mm St	€ 983	set
150x150x3mm St	€ 707	set
150x150x5mm St	€ 1.250	set
200x200x6mm St	€ 1.808	set

\* For more steel sections, please refer to our component list.

BP1-AW	Covering Z bending for width side
BP2-BW	Wall Bracket (Plus & Prestige)
BP1-AP	Covering Z bending for projection side
BP2-BP	Wall Bracket (Plus & Prestige)

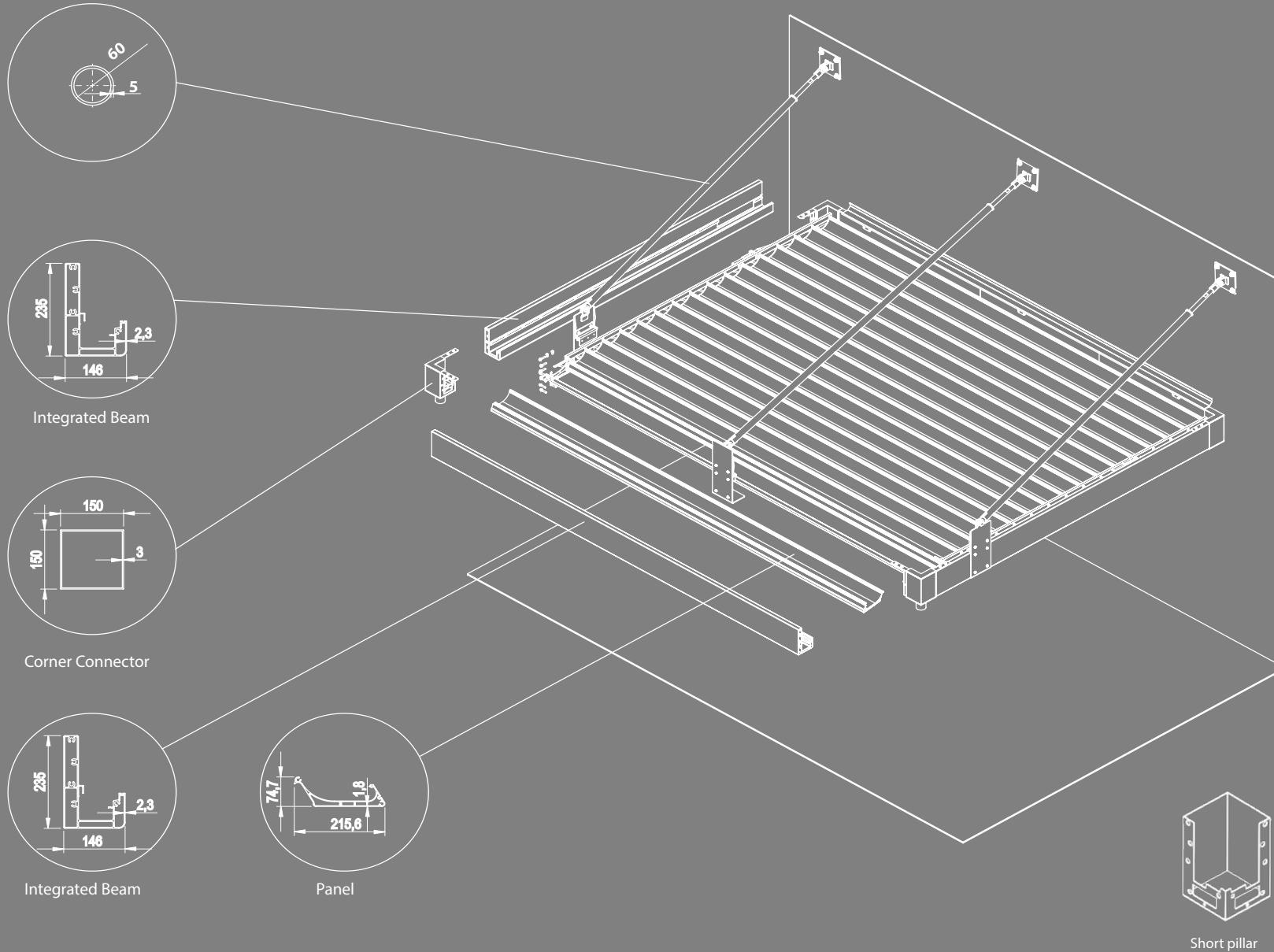
## NOTES:

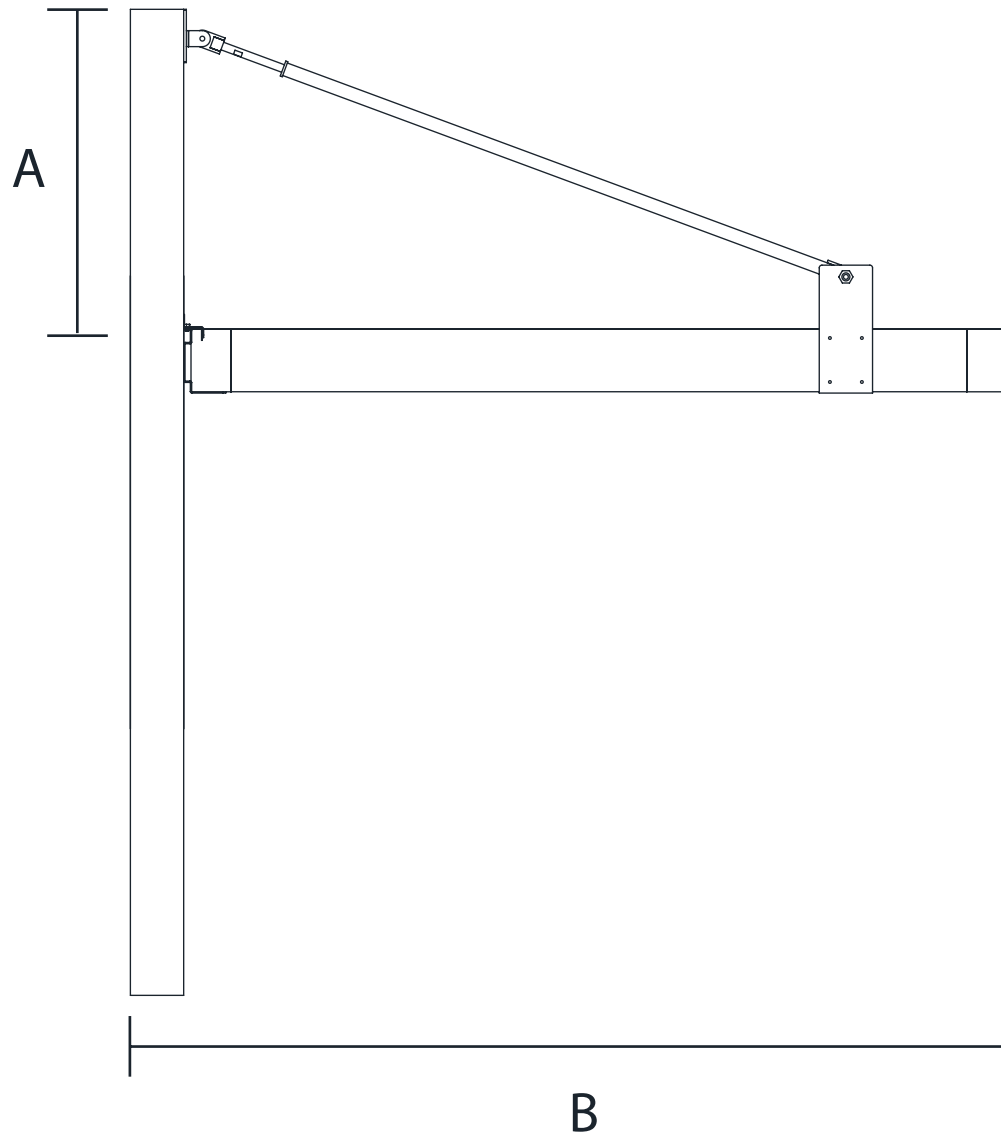
- For wall installations, 3 cm must be added to the projection size.
- For ceiling installations, 16 cm must be added to the projection size.
- Palmye Aluminium Coating Catalogue includes the standard colours with no extra cost. For any other type/brand/color of paint, price difference and additional delivery duration shall be checked from your customer representative.
- Support pillar deduction can apply only when supported by wall bracket or steel application.
- If rain sensor is needed; For single product, a Dry contact transmitter which costs 366€, must be added to the price. For up to 5 products, a RS485 Automation interface Dry contact transmitter which costs 1119€ must be added to the price.
- The corner pillars can be moved max. 50cm.
- For available sizes please refer to related hanging models.
- Water outlets can be optionally given through the steel pillars.
- Hanging models can be made as wall/ceiling connections, cannot be freestanding.
- If projection is in the range of 353,9 cm – 441,9cm, a hanging pipe is applied to the front gutter beam of the product. In this case, 2 pipes should be applied in each direction. Additional pipes should be priced from option price. For projections more than 441,9cm, the maximum projection is determined according to the pipe profile length. The maximum pipe profile length can not be more than 600 cm. A middle hanging pipe will be used only in projection sizes after 450cm.
- For wall installed products, a wall bracket is required in every 150cm.

## DEDUCTION

- Deduction to short pillar -€39

# SKYROOF PLUS HANGING





**STANDARD "A" VALUES**

B (cm)	150 - 359
A (cm)	50

# SKYROOF PLUS HANGING

Panel	FREESTANDING Projection	WIDTH (cm)											BP1-AP	BP2-BP	
		150 cm	175 cm	200 cm	225 cm	250 cm	275 cm	300 cm	325 cm	350 cm	375 cm	400 cm	Covering	Wall Bracket	
8	165,4 cm	€ 9.128	€ 9.428	€ 9.721	€ 10.031	€ 10.326	€ 10.628	€ 10.919	€ 11.215	€ 11.537	€ 11.841	€ 12.145	€ 57	€ 115	
9	183 cm	€ 9.392	€ 9.713	€ 10.034	€ 10.359	€ 10.679	€ 10.999	€ 11.315	€ 11.637	€ 11.968	€ 12.290	€ 12.610	€ 57	€ 115	
10	200,6 cm	€ 9.673	€ 10.013	€ 10.352	€ 10.693	€ 11.033	€ 11.372	€ 11.711	€ 12.048	€ 12.397	€ 12.737	€ 13.078	€ 57	€ 115	
11	218,2 cm	€ 9.958	€ 10.318	€ 10.673	€ 11.027	€ 11.386	€ 11.748	€ 12.107	€ 12.467	€ 12.827	€ 13.186	€ 13.546	€ 57	€ 115	
12	235,8 cm	€ 10.222	€ 10.603	€ 10.982	€ 11.360	€ 11.740	€ 12.117	€ 12.503	€ 12.875	€ 13.253	€ 13.633	€ 14.010	€ 57	€ 115	
13	253,4 cm	€ 10.502	€ 10.911	€ 11.303	€ 11.699	€ 12.091	€ 12.489	€ 12.899	€ 13.283	€ 13.685	€ 14.083	€ 14.477	€ 57	€ 172	
14	271 cm	€ 10.781	€ 11.200	€ 11.623	€ 12.039	€ 12.443	€ 12.861	€ 13.295	€ 13.691	€ 14.118	€ 14.528	€ 14.946	€ 57	€ 172	
15	288,6 cm	€ 11.085	€ 11.521	€ 11.938	€ 12.378	€ 12.794	€ 13.233	€ 13.691	€ 14.099	€ 14.550	€ 14.972	€ 15.412	€ 57	€ 172	
16	306,2 cm	€ 11.299	€ 11.776	€ 12.259	€ 12.717	€ 13.146	€ 13.604	€ 14.087	€ 14.524	€ 14.982	€ 15.417	€ 15.879	€ 57	€ 172	
17	323,8 cm	€ 11.618	€ 12.082	€ 12.574	€ 13.057	€ 13.497	€ 13.976	€ 14.483	€ 14.948	€ 15.412	€ 15.861	€ 16.346	€ 57	€ 172	
18	341,4 cm	€ 11.941	€ 12.443	€ 12.895	€ 13.396	€ 13.849	€ 14.348	€ 14.879	€ 15.370	€ 15.843	€ 16.305	€ 16.813	€ 57	€ 172	
19	359 cm	€ 12.187	€ 12.688	€ 13.214	€ 13.724	€ 14.200	€ 14.720	€ 15.275	€ 15.788	€ 16.273	€ 16.750	€ 17.279	€ 57	€ 172	
BP1-AW	Covering	€ 58	€ 58	€ 58	€ 58	€ 58	€ 58	€ 58	€ 58	€ 58	€ 58	€ 58			
BP2-BW	Wall Bracket	€ 118	€ 118	€ 118	€ 118	€ 118	€ 177	€ 177	€ 177	€ 177	€ 177	€ 177			
Number of wall bracket		2 pcs					3 pcs								

## NOTES:

1. For wall installations, 3 cm must be added to the projection size.
2. For ceiling installations, 16 cm must be added to the projection size.
3. Palmiye Aluminium Coating Catalogue includes the standard colours with no extra cost. For any other type/brand/coulor of paint, price difference and additional delivery duration shall be checked from your customer representative.
4. If rain sensor is needed; For single product, a Dry contact transmitter which costs 366€, must be added to the price. For up to 5 products, a RS485 Automation interface Dry contact transmitter which costs 1119€ must be added to the price.
5. Hanging models can be made as wall/ceiling connections, cannot be freestanding.
6. For wall installed products, a wall bracket is required in every 150cm.

## OPTIONS

BP3-A	2 Linear LED	€ 241	modul
BP3-A-RGB	2 Linear RGB LED	€ 306	modul
BP3-B	3 Linear LED	€ 313	modul
BP3-B-RGB	3 Linear RGB LED	€ 397	modul
BP4	Perimeter LED	€ 86	lm
BP4-RGB	Perimeter RGB LED	€ 94	lm
BP4-RGBWW	Perimeter RGBWW LED	€ 107	lm
BP5-B	Extra Pillar (150x150x3 mm - Al)	€ 417	set
FS19	Fix louver	€ 74	lm
BP7	Polyurethan foam	€ 151	m <sup>2</sup>
BP8	Sun Sensor (SUNIS) (with Universal Receiver RTS)	€ 989	pcs
BP9	Wind Sensor (EOLIS RTS) (with Universal Receiver RTS)	€ 657	pcs
BP10	Sun and Wind Sensor (SOLIRIS RTS) (with Universal Receiver RTS)	€ 696	pcs
BP11	Rain Sensor (ONDEIS) (with Universal Receiver RTS)	€ 939	pcs
FS30	CONNEXOON	€ 525	pcs
BP12-P1	Hanging (Right or Left Side)	€ 717	set
BP12-P2	Hanging (Front)	€ 707	set
BP12-P3	Hanging (Module)	€ 807	set
FS28-1	Stainless steel chain - 100 cm	€ 78	1m
FS28-2	Stainless steel chain - 200 cm	€ 153	2m
FS28-3	Stainless steel chain - 300 cm	€ 230	3m
FS28-4	Stainless steel chain - 400 cm	€ 306	4m

## STEEL CONSTRUCTION

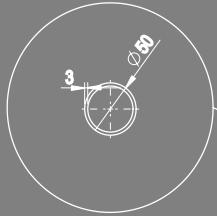
Beam Group		
150x150x3mm St	€ 446	lm
150x150x5mm St	€ 624	lm
150x150x6mm St	€ 738	lm
150x200x3mm St	€ 520	lm
150x200x5mm St	€ 783	lm
150x200x6mm St	€ 927	lm
150x250x6mm St	€ 1.069	lm
150x250x8mm St	€ 1.461	lm
200x200x6mm St	€ 1.068	lm
200x300x6mm St	€ 1.352	lm
200x300x8mm St	€ 1.838	lm

## Pillar Group

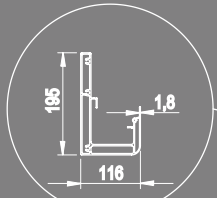
150x150x3mm St	€ 707	set
150x150x5mm St	€ 1.250	set
200x200x6mm St	€ 1.808	set

\* For more steel sections, please refer to our component list.

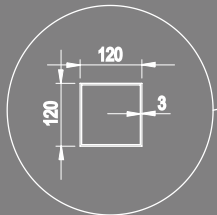
# SKYROOF COMPACT HANGING



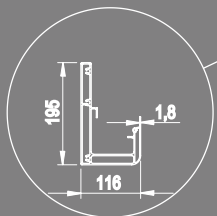
Steel Hanging Pipe



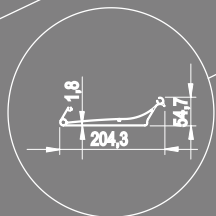
Integrated Beam



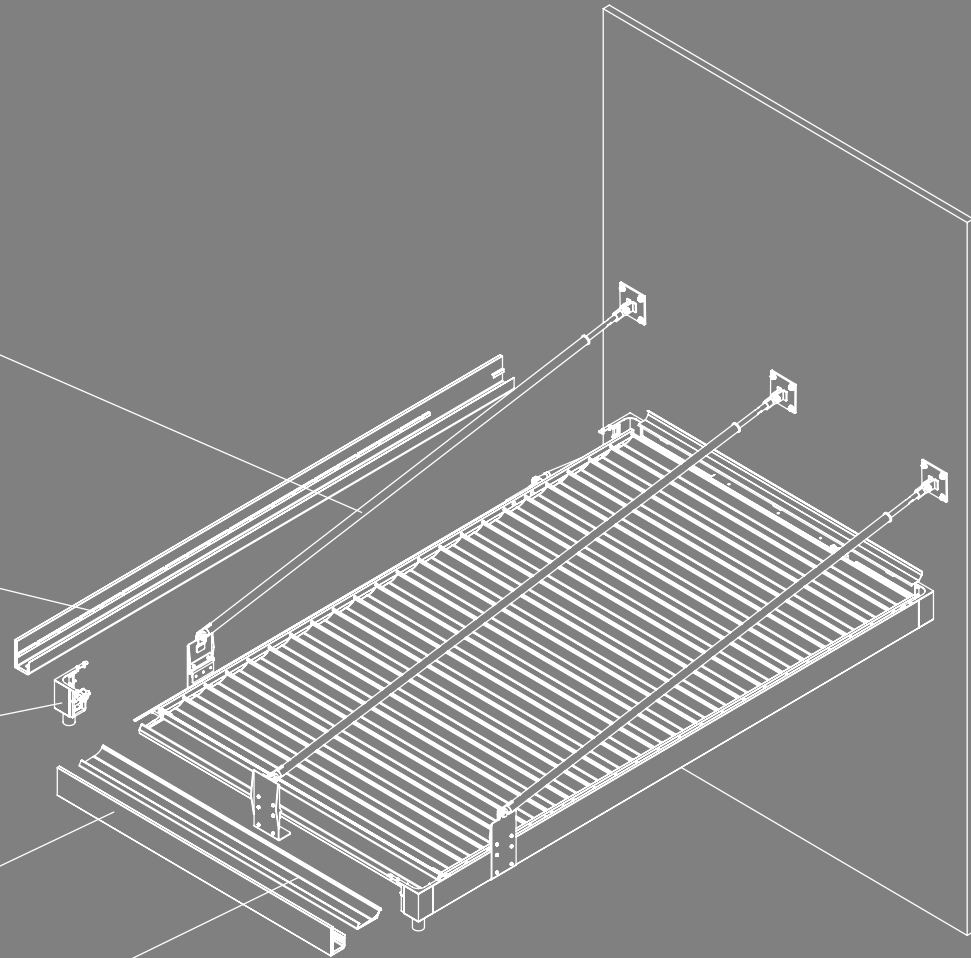
Corner Connector



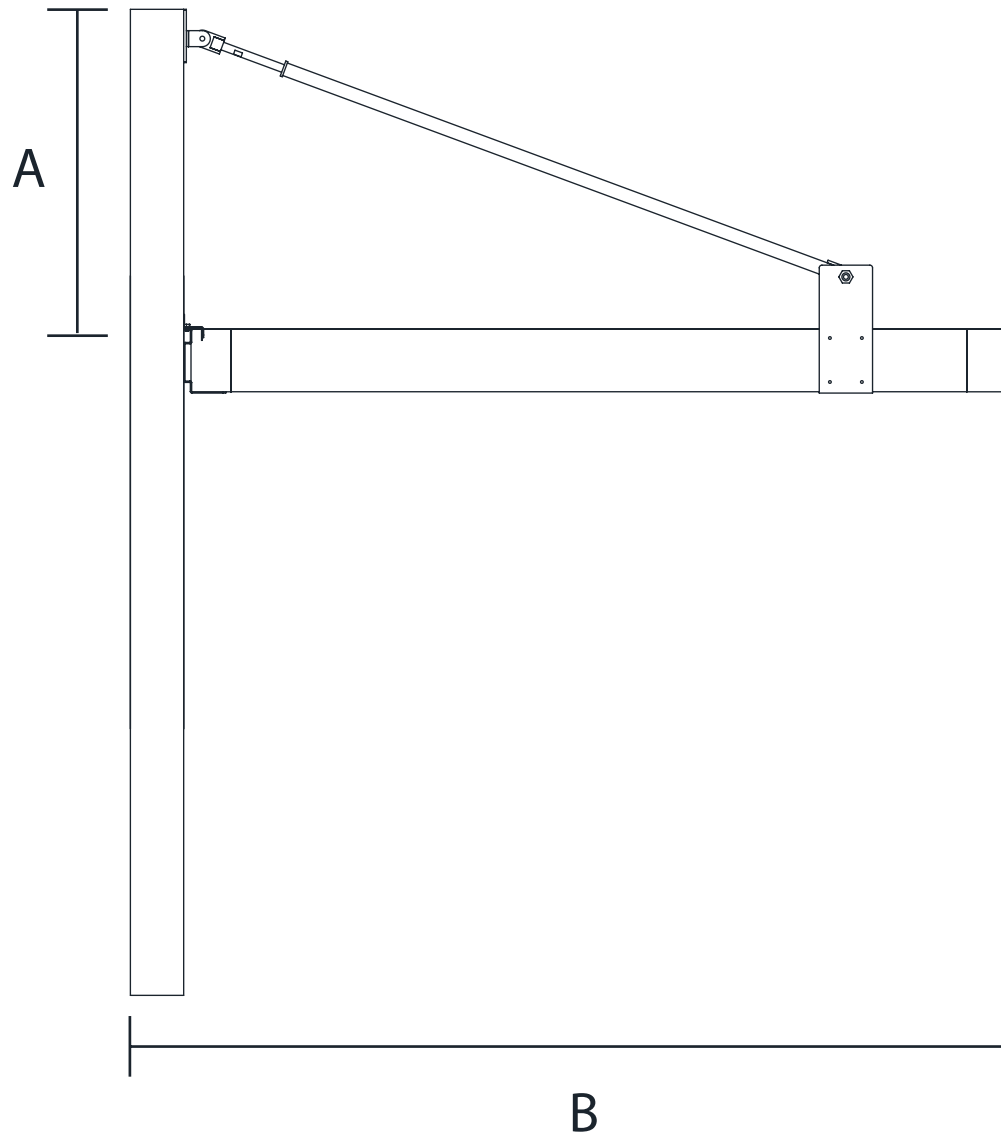
Integrated Beam



Panel



Short pillar



**STANDARD "A" VALUES**

B (cm)	150 - 356,7
A (cm)	50

## SKYROOF COMPACT HANGING

Panel	FREESTANDING Projection	WIDTH (cm)									BP1-AP	BP2-AP	
		150 cm	175 cm	200 cm	225 cm	250 cm	275 cm	300 cm	325 cm	350 cm	Covering	Wall Bracket	
8	160,3 cm	€ 7.359	€ 7.633	€ 8.142	€ 8.396	€ 8.649	€ 8.898	€ 9.139	€ 9.380	€ 9.660	€ 57	€ 110	
9	177,9 cm	€ 7.615	€ 7.893	€ 8.403	€ 8.670	€ 8.937	€ 9.203	€ 9.462	€ 9.722	€ 10.007	€ 57	€ 110	
10	195,5 cm	€ 7.871	€ 8.152	€ 8.665	€ 8.944	€ 9.226	€ 9.508	€ 9.786	€ 10.064	€ 10.354	€ 57	€ 110	
11	213,1 cm	€ 8.127	€ 8.412	€ 8.926	€ 9.218	€ 9.515	€ 9.813	€ 10.109	€ 10.405	€ 10.701	€ 57	€ 110	
12	230,7 cm	€ 8.382	€ 8.671	€ 9.181	€ 9.493	€ 9.806	€ 10.118	€ 10.436	€ 10.742	€ 11.052	€ 57	€ 110	
13	248,3 cm	€ 8.638	€ 8.931	€ 9.446	€ 9.773	€ 10.096	€ 10.424	€ 10.762	€ 11.078	€ 11.408	€ 57	€ 110	
14	265,9 cm	€ 8.894	€ 9.190	€ 9.708	€ 10.052	€ 10.385	€ 10.730	€ 11.088	€ 11.414	€ 11.764	€ 57	€ 110	
15	283,5 cm	€ 9.150	€ 9.450	€ 9.968	€ 10.331	€ 10.674	€ 11.036	€ 11.414	€ 11.749	€ 12.119	€ 57	€ 110	
16	301,1 cm	€ 9.406	€ 9.709	€ 10.232	€ 10.610	€ 10.963	€ 11.341	€ 11.739	€ 12.098	€ 12.475	€ 57	€ 164	
17	318,7 cm	€ 9.662	€ 9.969	€ 10.491	€ 10.889	€ 11.252	€ 11.646	€ 12.064	€ 12.446	€ 12.828	€ 57	€ 164	
18	336,3 cm	€ 9.917	€ 10.228	€ 10.754	€ 11.168	€ 11.540	€ 11.951	€ 12.389	€ 12.792	€ 13.181	€ 57	€ 164	
19	353,9 cm	€ 10.173	€ 10.488	€ 11.016	€ 11.436	€ 11.828	€ 12.256	€ 12.713	€ 13.135	€ 13.533	€ 57	€ 164	
BP1-AW	Covering	€ 57	€ 57	€ 57	€ 57	€ 57	€ 57	€ 57	€ 57	€ 57			
BP2-AW	Wall Bracket	€ 110	€ 110	€ 110	€ 110	€ 110	€ 110	€ 110	€ 164	€ 164			
Number of wall bracket		2 pcs						3 pcs					

BP1-AW	Covering Z bending for width side
BP2-BW	Wall Bracket (Plus & Prestige)
BP1-AP	Covering Z bending for projection side
BP2-BP	Wall Bracket (Plus & Prestige)

### NOTES:

1. For wall installations, 3 cm must be added to the projection size.
2. For ceiling installations, 16 cm must be added to the projection size.
3. Palmiye Aluminium Coating Catalogue includes the standard colours with no extra cost. For any other type/brand/couolor of paint, price difference and additional delivery duration shall be checked from your customer representative.
4. If rain sensor is needed; For single product, a Dry contact transmitter which costs 366€, must be added to the price. For up to 5 products, a RS485 Automation interface Dry contact transmitter which costs 1119€ must be added to the price.
5. Hanging models can be made as wall/ceiling connections, cannot be freestanding.
6. For wall installed products, a wall bracket is required in every 150cm.

OPTIONS

BP4	Perimeter LED	€ 86	lm
BP4-RGB	Perimeter RGB LED	€ 94	lm
BP4-RGBWW	Perimeter RGBWW LED	€ 107	lm
BP5-A	"Extra Pillar (120x120x3mm - Al)"	€ 334	set
FS19	Fix louver	€ 74	lm
BP8	Sun Sensor (SUNIS) (with Universal Receiver RTS)	€ 989	pcs
BP9	Wind Sensor (EOLIS RTS) (with Universal Receiver RTS)	€ 657	pcs
BP10	Sun and Wind Sensor (SOLIRIS RTS) (with Universal Receiver RTS)	€ 696	pcs
BP11	Rain Sensor (ONDEIS) (with Universal Receiver RTS) <sup>6</sup>	€ 939	pcs
FS30	CONNEXOON	€ 525	pcs
BP12-C1	Hanging (Right or Left Side)	€ 717	set
BP12-C2	Hanging (Front)	€ 702	set
BP12-C3	Hanging (Module)	€ 799	set
FS28-1	Stainless steel chain - 100 cm 1m	€ 78	lm
FS28-2	Stainless steel chain - 200 cm 2m	€ 153	lm
FS28-3	Stainless steel chain - 300 cm 3m	€ 230	lm
FS28-4	Stainless steel chain - 400 cm 4m	€ 306	lm

STEEL CONSTRUCTION

Beam Group		
120x120x3mm St	€ 356	lm
120x120x5mm St	€ 492	lm
150x150x3mm St	€ 446	lm
150x150x5mm St	€ 624	lm
150x150x6mm St	€ 738	lm
150x200x3mm St	€ 520	lm
150x200x5mm St	€ 783	lm
150x200x6mm St	€ 927	lm
150x250x6mm St	€ 1.069	lm
150x250x8mm St	€ 1.461	lm
200x200x6mm St	€ 1.068	lm
200x300x6mm St	€ 1.352	lm
200x300x8mm St	€ 1.838	lm

Pillar Group

<b>120x120x3mm St</b>	€ 563	set
<b>120x120x5mm St</b>	€ 983	set
<b>150x150x3mm St</b>	€ 707	set
<b>150x150x5mm St</b>	€ 1.250	set
<b>200x200x6mm St</b>	€ 1.808	set

\* For more steel sections, please refer to our component list.



[palmiyeglobal.com](http://palmiyeglobal.com)