



# FABRIC PERGOLAS

PRICE LIST / 2026 v2

MADE FOR OUTDOOR LIFE





# MADE FOR OUTDOOR LIFE

## INDEX

04

Silver

90

Coral Twin

22

Silver Twin

112

Coral Hanging

36

Silver Hanging

138

Coral Twin Hanging

62

Silver Twin Hanging

148

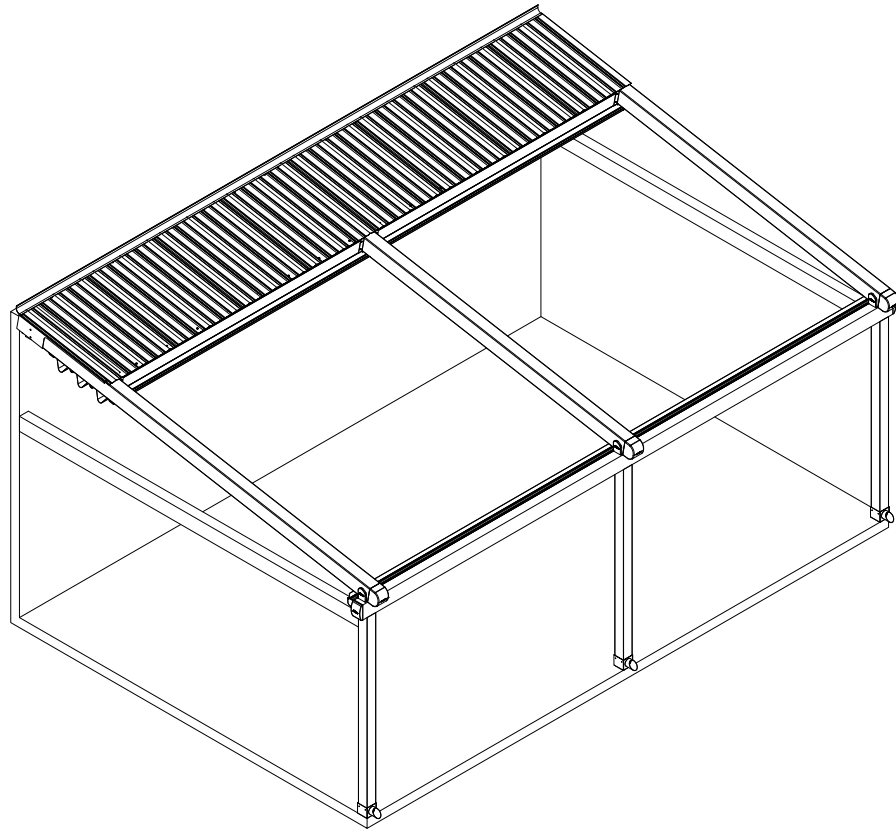
Satin S

72

Coral

154

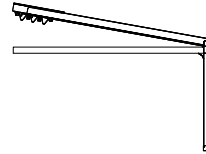
Legend



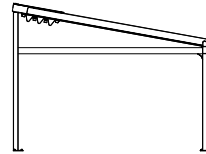
**SILVER**

## PRODUCT FORMS

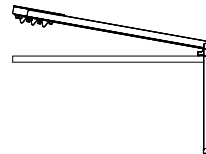
- **SILVER** Wall / Ceiling



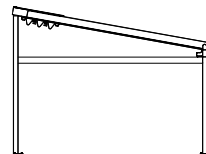
- **SILVER** Freestanding



- **SILVER Compact** Wall / Ceiling

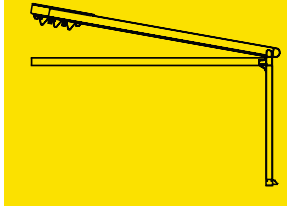


- **SILVER Compact** Freestanding



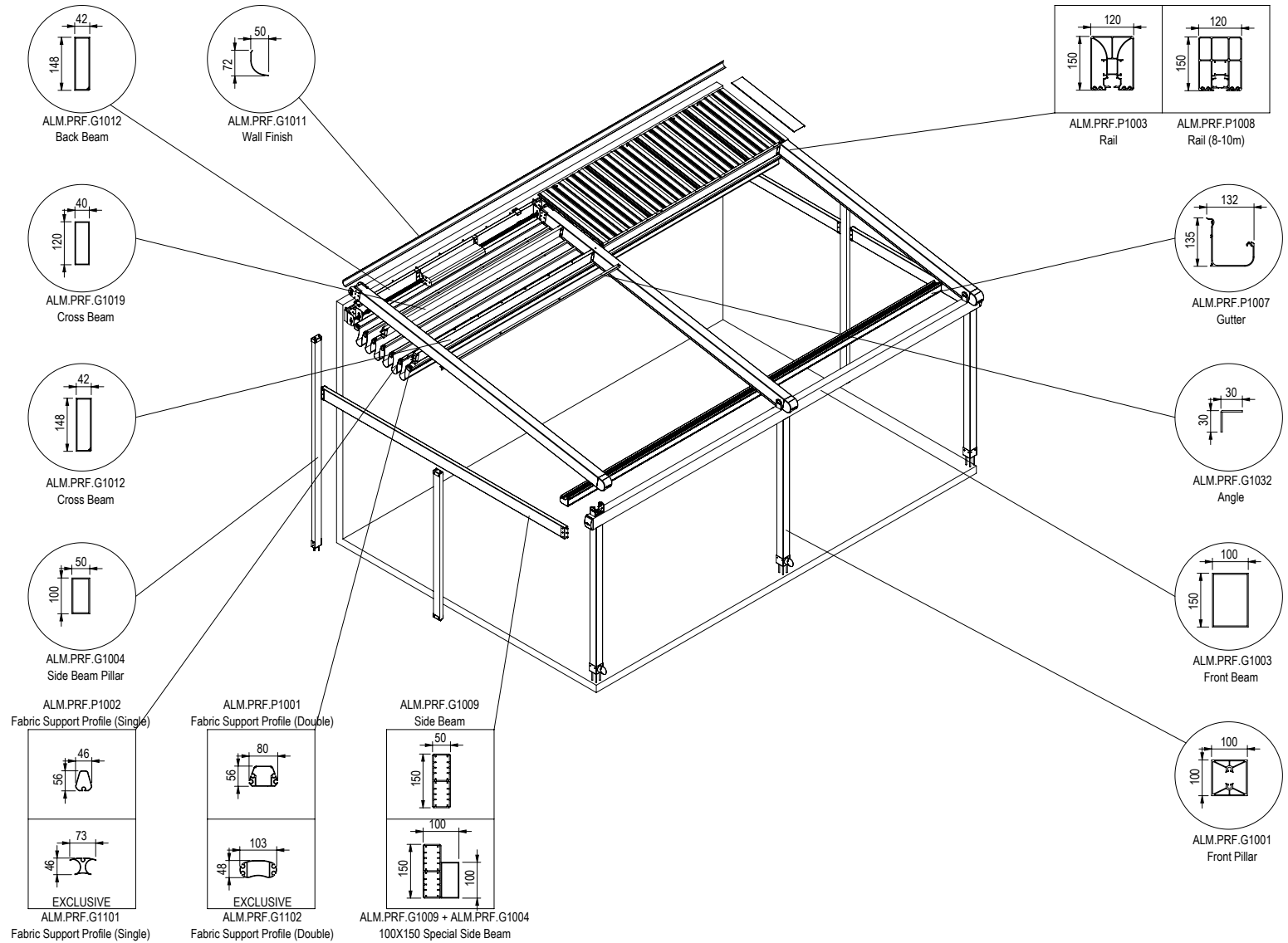
# SILVER

## Wall / Ceiling



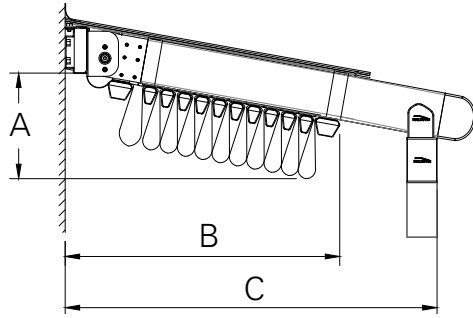
### MAXIMUM DIMENSIONS

	WIDTH	PROJECTION
2 RAILS	450 cm	1000 cm
3 RAILS	900 cm	1000 cm
4 RAILS	1300 cm	700 cm



# TECHNICAL FEATURES

## COLLECTED FABRIC DIMENSIONS



Projection cm

No of Fabric Support Profiles	185	235	284	334	383	433	482	532	581	631	680	729	779	828	878	927	977	C
4	34																	61
5		35																68
6			36															74
7				37														81
8					38													87
9						39												94
10							40											100
11								41										107
12									42									113
14										44								126
16											45							139
17												46						146
18													47					152
19														48				159
20															49			165
																50		172
																	51	172

\*Calculated according to a slope of 15%

## DRAINAGE CALCULATION

Type	Max. m <sup>2</sup>
Full	39 m <sup>2</sup> /pc
Half	18 m <sup>2</sup> /pc

\* per drainage

There should be at least one drainage, each 8 m length gutter.

## MINIMUM SLOPE CHART

Slope	Rail Center										
	200	225	250	275	300	325	350	375	400	425	450
6,4-7,9%	16	19	21	24	26	28	30	33	35	38	40
7,4-8,8%	20	23	26	29	31	34	37	40	42	45	48
8,4-9,7%	23	27	30	34	37	40	43	46	49	53	56
9,4-10,8%	27	31	35	39	42	46	49	53	57	61	64
10,4-12%	32	36	40	44	48	52	56	60	64	69	73
11,2-12,7%	36	41	45	50	54	59	63	68	72	77	81
12-13,4%	40	45	50	55	60	65	70	75	80	85	90
13-14,5%	44	50	55	61	66	72	77	83	88	94	99
14-15,7%	49	55	61	67	72	78	84	90	96	102	108
15-16,6%	54	60	66	73	79	85	91	98	104	111	117
16-17,6%	59	66	72	79	85	92	99	106	112	119	126
	63	70	77	85	92	99	106	114	121	129	136
	67	75	82	91	99	106	113	122	130	138	146
	71	79	87	97	106	113	120	130	139	148	156
	75	84	92	103	113	120	127	138	148	157	166
	79	88	97	109	120	127	134	146	157	167	176

\*Note: Max. slope can be up to 25%

## WIND RESISTANCE

For back height of system 30 cm should be added to slope value.

PROJECTION (cm)	WIDTH (cm)																	
	450	500	550	600	650	700	750	800	850	900	950	1000	1050	1100	1150	1200	1250	1300
400	11	11	11	11	11	11	11	11	11	11	11	11	11	11	11	11	11	11
450	11	11	11	11	11	11	11	11	10	10	11	11	11	11	11	11	11	11
500	11	11	11	11	11	10	10	10	10	9	11	11	11	11	11	11	11	11
550	11	11	11	10	10	10	9	9	9	9	11	11	11	11	10	10	10	10
600	11	10	10	10	10	9	9	8	8	8	11	10	10	10	10	10	10	10
650	10	10	9	9	9	9	9	8	8	8	10	10	9	9	9	9	9	9
700	10	9	9	9	9	8	8	8	8	8	10	9	9	9	9	9	9	9
750	9	9	8	8	8	8	8	7	7	7	9	9	8	8	8	8	8	8
800	9	8	8	8	8	7	7	7	7	7	9	8	8	8	8	8	8	8
850	8	8	8	8	7	7	7	7	7	7	8	8	8	8	8	8	8	8
900	8	8	7	7	7	7	7	7	6	6	8	8	7	7	7	7	7	7
950	7	7	7	7	7	6	6	6	6	6	7	7	7	7	7	7	7	7
1000	7	7	7	6	6	6	6	6	6	6	7	7	7	7	7	7	7	7

All sides open

PROJECTION (cm)	WIDTH (cm)																		
	450	500	550	600	650	700	750	800	850	900	950	1000	1050	1100	1150	1200	1250	1300	
400	11	11	10	10	10	9	9	9	9	8	8	11	11	10	10	10	10	9	9
450	11	10	10	10	10	9	9	9	9	8	8	11	10	10	10	10	10	9	9
500	10	10	10	10	10	9	9	9	9	8	8	10	10	10	10	10	10	9	9
550	10	10	10	10	10	9	9	9	9	8	8	10	10	10	10	10	10	9	9
600	9	9	9	9	9	9	9	9	9	8	8	9	9	9	9	9	9	9	9
650	9	9	9	9	9	9	9	9	9	8	8	8	9	9	9	9	9	9	9
700	9	9	9	9	9	9	9	9	9	8	8	8	9	9	9	9	9	9	9
750	9	9	9	9	9	8	8	8	8	8	8	9	9	9	9	9	9	9	9
800	8	8	8	8	8	8	8	8	8	8	8	8	8	8	8	8	8	8	8
850	8	8	8	8	8	8	8	8	8	8	8	8	8	8	8	8	8	8	8
900	8	8	8	8	8	8	8	8	8	8	8	8	8	8	8	8	8	8	8
950	8	8	8	8	8	8	8	8	8	8	8	8	8	8	8	8	8	8	8
1000	8	8	8	8	8	8	8	8	8	8	8	8	8	8	8	8	8	8	8

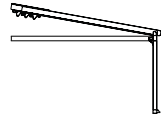
With side enclosure

\*The values are given according to the Beaufort scale.

\*\*Calculated for Products with a front height of 250 cm according to Eurocode EN 1991-1-4 Terrain Category 4.

\*\*\* You can ask for new calculations for special designs.

# SILVER Wall / Ceiling



Projection	Width																				FS4	FS9	FS9-S	FS9-2		
	2 RAILS					3 RAILS									4 RAILS											
	250 cm	300 cm	350 cm	400 cm	450 cm	500 cm	550 cm	600 cm	650 cm	700 cm	750 cm	800 cm	850 cm	900 cm	950 cm	1000 cm	1050 cm	1100 cm	1150 cm	1200 cm					1250 cm	1300 cm
200 cm	€ 6.948	€ 7.287	€ 7.762	€ 8.247	€ 8.587	€ 10.086	€ 10.417	€ 10.748	€ 11.375	€ 11.653	€ 11.883	€ 12.211	€ 12.540	€ 12.869	€ 14.523	€ 14.847	€ 15.174	€ 15.502	€ 15.831	€ 16.085	€ 16.523	€ 17.030	€ 1.185	€ 242	€ 322	€ 191
250 cm	€ 7.253	€ 7.773	€ 8.237	€ 8.589	€ 8.935	€ 10.579	€ 11.103	€ 11.442	€ 11.904	€ 12.194	€ 12.437	€ 12.955	€ 13.475	€ 13.634	€ 15.234	€ 15.571	€ 16.089	€ 16.426	€ 16.766	€ 17.028	€ 17.481	€ 17.997	€ 1.308	€ 292	€ 402	€ 223
300 cm	€ 7.788	€ 8.370	€ 8.892	€ 9.304	€ 9.713	€ 11.569	€ 12.155	€ 12.559	€ 13.081	€ 13.427	€ 13.734	€ 14.312	€ 14.897	€ 15.120	€ 16.890	€ 17.290	€ 17.872	€ 18.269	€ 18.673	€ 18.987	€ 19.501	€ 20.078	€ 1.432	€ 343	€ 483	€ 256
350 cm	€ 8.275	€ 8.696	€ 9.231	€ 9.824	€ 10.243	€ 12.256	€ 12.675	€ 13.270	€ 13.808	€ 14.158	€ 14.478	€ 15.071	€ 15.676	€ 15.902	€ 17.977	€ 18.388	€ 18.804	€ 19.213	€ 19.804	€ 20.130	€ 20.656	€ 21.067	€ 1.555	€ 393	€ 563	€ 288
400 cm	€ 8.593	€ 9.025	€ 9.571	€ 10.175	€ 10.608	€ 12.765	€ 13.195	€ 13.801	€ 14.349	€ 14.714	€ 15.045	€ 15.649	€ 16.257	€ 16.504	€ 18.708	€ 19.133	€ 19.559	€ 19.982	€ 20.585	€ 20.919	€ 21.456	€ 21.879	€ 1.678	€ 443	€ 644	€ 320
450 cm	€ 8.918	€ 9.362	€ 9.921	€ 10.536	€ 10.980	€ 13.288	€ 13.732	€ 14.351	€ 14.910	€ 15.285	€ 15.629	€ 16.244	€ 16.865	€ 17.122	€ 19.458	€ 19.894	€ 20.332	€ 20.768	€ 21.385	€ 21.724	€ 22.274	€ 22.708	€ 1.801	€ 493	€ 724	€ 353
500 cm	€ 9.236	€ 9.693	€ 10.261	€ 10.890	€ 11.346	€ 13.801	€ 14.254	€ 14.884	€ 15.460	€ 15.840	€ 16.196	€ 16.824	€ 17.460	€ 17.726	€ 20.194	€ 20.643	€ 21.092	€ 21.539	€ 22.165	€ 22.517	€ 23.078	€ 23.525	€ 1.924	€ 543	€ 805	€ 385
550 cm	€ 9.786	€ 10.473	€ 11.101	€ 11.790	€ 12.304	€ 14.991	€ 15.687	€ 16.199	€ 17.017	€ 17.455	€ 17.872	€ 18.564	€ 19.262	€ 19.771	€ 22.205	€ 22.742	€ 23.434	€ 23.945	€ 24.633	€ 25.033	€ 25.656	€ 26.345	€ 2.047	€ 593	€ 885	€ 418
600 cm	€ 10.117	€ 10.815	€ 11.459	€ 12.157	€ 12.682	€ 15.517	€ 16.227	€ 16.753	€ 17.580	€ 18.027	€ 18.456	€ 19.161	€ 19.870	€ 20.392	€ 22.985	€ 23.507	€ 24.210	€ 24.732	€ 25.432	€ 25.843	€ 26.478	€ 27.177	€ 2.170	€ 643	€ 966	€ 450
650 cm	€ 10.439	€ 11.150	€ 11.803	€ 12.512	€ 13.053	€ 16.035	€ 16.757	€ 17.296	€ 18.134	€ 18.514	€ 18.949	€ 19.662	€ 20.375	€ 20.912	€ 23.729	€ 24.266	€ 24.887	€ 25.512	€ 26.225	€ 26.644	€ 27.291	€ 28.002	€ 2.294	€ 693	€ 1.046	€ 483
700 cm	€ 10.763	€ 11.485	€ 12.147	€ 12.871	€ 13.421	€ 16.555	€ 17.286	€ 17.840	€ 18.691	€ 19.075	€ 19.526	€ 20.252	€ 20.981	€ 21.522	€ 24.474	€ 25.020	€ 25.746	€ 26.292	€ 27.020	€ 27.445	€ 28.105	€ 28.827	€ 2.417	€ 743	€ 1.127	€ 515
750 cm	€ 11.088	€ 11.822	€ 12.497	€ 13.229	€ 13.790	€ 17.073	€ 17.818	€ 18.381	€ 19.247	€ 19.638	€ 20.098	€ 20.835	€ 21.576	€ 22.132	€ 25.220	€ 25.778	€ 26.515	€ 27.074	€ 27.812	€ 28.247	€ 28.917	€ 2.540	€ 1.077	€ 1.755	€ 1.095	
800 cm	€ 11.636	€ 12.432	€ 13.165	€ 13.958	€ 14.581	€ 18.083	€ 18.890	€ 19.514	€ 20.442	€ 20.888	€ 21.411	€ 22.208	€ 23.011	€ 23.632	€ 26.904	€ 27.522	€ 28.322	€ 28.942	€ 29.742	€ 30.230	€ 2.663	€ 1.127	€ 1.835	€ 1.128		
850 cm	€ 12.168	€ 12.976	€ 13.722	€ 14.529	€ 15.162	€ 18.724	€ 19.544	€ 20.179	€ 21.123	€ 21.576	€ 22.109	€ 22.919	€ 23.735	€ 24.367	€ 27.695	€ 28.323	€ 29.137	€ 29.767	€ 30.581	€ 2.786	€ 1.177	€ 1.916	€ 1.160			
900 cm	€ 12.501	€ 13.309	€ 14.055	€ 14.862	€ 15.495	€ 19.057	€ 19.877	€ 20.513	€ 21.456	€ 21.909	€ 22.442	€ 23.252	€ 24.069	€ 24.700	€ 28.028	€ 28.656	€ 29.470	€ 30.100	€ 2.909	€ 1.227	€ 1.996	€ 1.193				
950 cm	€ 12.834	€ 13.643	€ 14.388	€ 15.195	€ 15.829	€ 19.390	€ 20.210	€ 20.846	€ 21.790	€ 22.242	€ 22.775	€ 23.586	€ 24.402	€ 25.034	€ 28.361	€ 28.989	€ 29.803	€ 3.033	€ 1.277	€ 2.077	€ 1.225					
1000 cm	€ 13.167	€ 13.976	€ 14.722	€ 15.528	€ 16.162	€ 19.724	€ 20.544	€ 21.179	€ 22.123	€ 22.576	€ 23.108	€ 23.919	€ 24.735	€ 25.367	€ 28.694	€ 29.322	€ 3.156	€ 1.327	€ 2.157	€ 1.258						
FS3	€ 241	€ 252	€ 275	€ 302	€ 327	€ 352	€ 377	€ 402	€ 427	€ 452	€ 581	€ 606	€ 631	€ 656	€ 683	€ 708	€ 733	€ 758	€ 783	€ 808	€ 833	€ 858				
FS5-A	€ 44	€ 56	€ 65	€ 75	€ 87	€ 96	€ 108	€ 117	€ 129	€ 139	€ 150	€ 160	€ 171	€ 181	€ 192	€ 202	€ 214	€ 223	€ 235	€ 244	€ 256	€ 266				
FS5-E	€ 61	€ 77	€ 90	€ 103	€ 119	€ 132	€ 148	€ 162	€ 178	€ 191	€ 207	€ 220	€ 236	€ 249	€ 265	€ 278	€ 294	€ 307	€ 323	€ 336	€ 352	€ 366				

Side beam pillar is included in the price

FS3	Gutter System
FS5-A	Additional Fabric Support Profile (Standard)
FS5-E	Additional Fabric Support Profile (3 Axis)
FS4	Additional Rail - Al.Plus- 120x150mm
FS8	Lighting System
FS9	Side Beam - Al.- 50x150mm
FS9-S	Side Beam - Al.- 100x150mm (Special)
FS9-2	Side Beam - Al.- 100x150mm

FS8	
FS8-S	SPOT
FS8-L	LINEAR
FS8-LR (RGB)	LINEAR (RGB)

LED TYPE & MODULE		
2 LED	3 LED	4 LED
€ 136	€ 165	€ 194
€ 194	€ 252	
€ 247	€ 320	

### Notes:

- Any side beam is not included in the price.
- FS Flexy Plain/3D or Stam 6002 is included in the price.
- Motor and Remote control is included in the price.
- Palmiye Aluminium Coating Catalogue includes the standard colours with no extra cost. For any other type/brand/color of paint, price difference and additional delivery duration shall be checked from your customer representative.
- Standard fabric support profile plastic colours are specified in Palmiye Aluminium Coating Catalogue.
- If side beam used and projection is bigger than 700 cm, a side beam pillar also needs to be added up to the rail (FS15 or FS15-B). Price is included in FS9 side beam option price.

### DEDUCTION

Price deduction is applicable only for pillars and beam. Deduction amount shall be considered as 70% of related option price.

## OPTIONS

FS10	Extra pillar (100x100mm Al.)	€ 548	pcs
FS10-ST3	Extra pillar (100x100x3mm St.)	€ 525	pcs
FS10-ST5	Extra pillar (100x100x5mm St.)	€ 765	pcs
FS11	Deco ceiling cover	€ 72	m <sup>2</sup>
FS15	Side beam pillar (50x100mm - Al)	€ 284	pcs
FS15-B	Side beam pillar (100x100mm - Al)	€ 548	pcs
FS19	Fix louver	€ 75	lm
FS23	External Square Downpipe	€ 335	pcs
FS24	W96 Ceiling Cover	€ 84	m <sup>2</sup>
FS25 <sup>1</sup>	Fabric support profile special color	€ 18	m <sup>2</sup>
FS26	Exclusive fabric difference (up to 800cm width)	€ 49	m <sup>2</sup>
FS29-1	Sun Sensor (SUNIS) (for single motor)	€ 621	pcs
FS29-1S	Sun Sensor (SUNIS) (for synchronized motor)	€ 990	pcs
FS29-2	Wind Sensor (EOLIS RTS) (for single motor)	€ 293	pcs
FS29-2S	Wind Sensor (EOLIS RTS) (for synchronized motor)	€ 658	pcs
FS29-3	Sun and Wind Sensor (SOLIRIS RTS) (for single motor)	€ 331	pcs
FS29-3S	Sun and Wind Sensor (SOLIRIS RTS) (for synchronized motor)	€ 696	pcs
FS29-4 <sup>2</sup>	Rain Sensor (ONDEIS) (for single motor)	€ 574	pcs
FS29-4S <sup>3</sup>	Rain Sensor (ONDEIS) (for synchronized motor)	€ 938	pcs
FS30	CONNEXOON	€ 525	pcs

### Notes:

1. Fabric support profiles can be painted in the same color as the general construction. No fee is paid for this process. However, the plastic color should be specified from our standard plastic colours in Palmiye Color Chart.
2. For one product, a dry contact transmitter costing 368€, must be added.
3. Up to 5 products, a RS485 Automation interface dry contact transmitter costing 1126€, must be added.

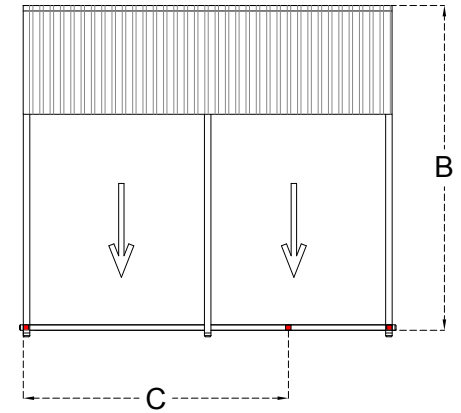
## EXTENSIONS

Rail	Plus - 120x150mm	€ 337	lm
Beam	Al. 42x150mm	€ 105	lm
Beam	Al. 50x150mm	€ 186	lm
Beam	Al. 100x150mm	€ 155	lm
Beam	St. 100x150x3mm	€ 320	lm
Beam	St. 100x150x5mm	€ 388	lm
Beam	St. 100x200x3mm	€ 325	lm
Beam	St. 100x200x5mm	€ 462	lm
Fabric protection cover	Al. - 63x___cm	€ 60	m <sup>2</sup>
Gutter	Special Profile	€ 45	lm
Pillar	Al. 100x100mm	€ 173	lm
Pillar	St. 100x100x3mm	€ 217	lm
Pillar	St. 100x100x5mm	€ 388	lm
Pillar	St. 150x150x3mm	€ 439	lm
Pillar	St. 150x150x5mm	€ 615	lm

\*Max. Al. Front pillar (Al. 100x100mm) height is 280cm

\*Max. St 3mm. Front pillar (St. 100x100x3mm) height is 380cm

\*Max. St. 5mm Front pillar (St. 100x100x5mm) height is 480cm



## PRICE DIFFERENCE

		BEAM GROUP	
		Standard	Al. 42x150mm
Back Beam	to		Al. 50x150mm € 81 lm
			St. 50x150x3mm € 104 lm
			St. 50x150x5mm € 192 lm
			Al. 100x150mm € 48 lm
			St. 100x150x3mm € 210 lm
			St. 100x150x5mm € 285 lm
			St. 100x200x3mm € 215 lm
			St. 100x200x5mm € 359 lm
		Standard	Al. 100x150mm
Front Beam	to		St. 100x150x3mm € 160 lm
			St. 100x150x5mm € 238 lm
			St. 100x200x3mm € 165 lm
			St. 100x200x5mm € 311 lm
		PILLAR GROUP	
		Standard	Al. 100x100mm
Front Pillar	to		St. 100x100x3mm € 111 pcs
			St. 100x100x5mm € 456 pcs
			St. 150x150x3mm € 696 pcs
			St. 150x150x5mm € 1.231 pcs

## FRONT PILLAR POSITION CHANGE

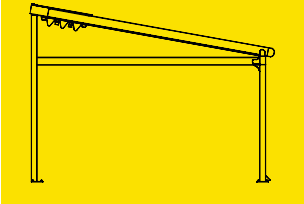
		C				
		500	550	600	650	700
B	400					
	500					
	600					
	700					
	800					
	1000					

(Construction price difference needs to be added.  
The deflection doesn't evaluate on this chart.)

	FRONT PILLAR : Al. 100x100x3mm FRONT BEAM : Al. 100x150x3mm
	FRONT PILLAR : St. 100x100x3mm FRONT BEAM : St. 100x150x3mm
	FRONT PILLAR : St. 100x100x5mm FRONT BEAM : St. 100x150x5mm

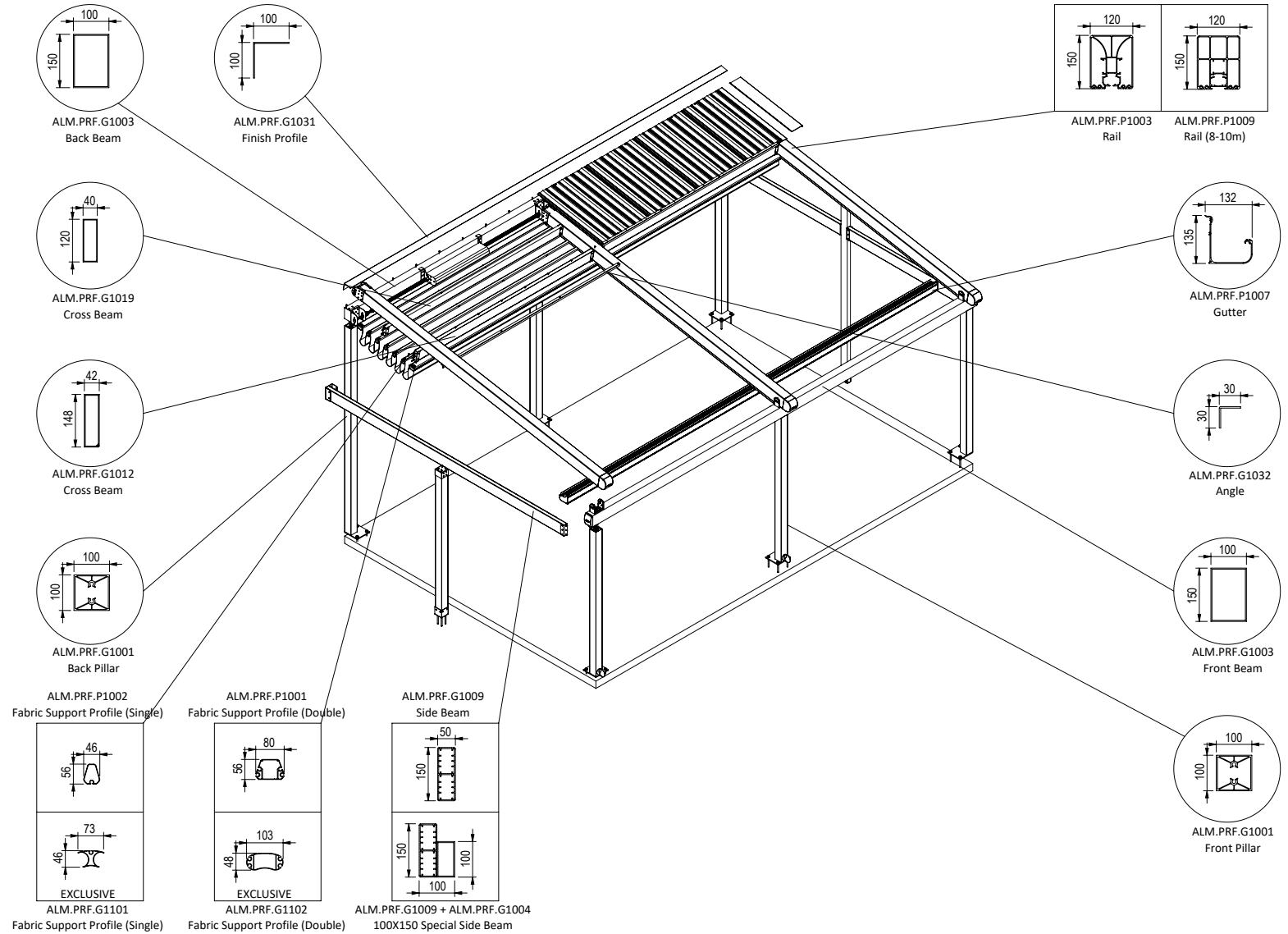
# SILVER

## Freestanding



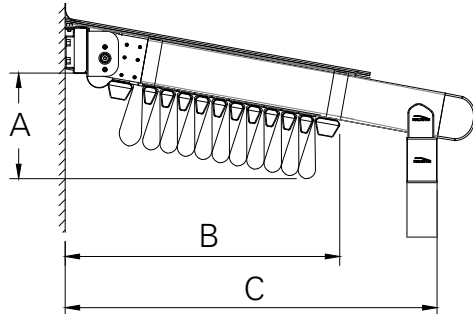
### MAXIMUM DIMENSIONS

	WIDTH	PROJECTION
2 RAILS	450 cm	1000 cm
3 RAILS	900 cm	1000 cm
4 RAILS	1300 cm	700 cm



# TECHNICAL FEATURES

## COLLECTED FABRIC DIMENSIONS



Projection cm

No of Fabric Support Profiles	185	235	284	334	383	433	482	532	581	631	680	729	779	828	878	927	977	C
4	34																	61
5		35																68
6			36															74
7				37														81
8					38													87
9						39												94
10							40											100
11								41										107
12									42									113
14										44								126
16											45							139
17												46						146
18													47					152
19														48				159
20															49			165
																50		172
																	51	172

\*Calculated according to a slope of 15%

## DRAINAGE CALCULATION

Type	Max. m <sup>2</sup>
Full	39 m <sup>2</sup> /pc
Half	18 m <sup>2</sup> /pc

\* per drainage

There should be at least one drainage, each 8 m length gutter.

## MINIMUM SLOPE CHART

Slope	Rail Center										
	200	225	250	275	300	325	350	375	400	425	450
6,4-7,9%	16	19	21	24	26	28	30	33	35	38	40
7,4-8,8%	20	23	26	29	31	34	37	40	42	45	48
8,4-9,7%	23	27	30	34	37	40	43	46	49	53	56
9,4-10,8%	27	31	35	39	42	46	49	53	57	61	64
10,4-12%	32	36	40	44	48	52	56	60	64	69	73
11,2-12,7%	36	41	45	50	54	59	63	68	72	77	81
12-13,4%	40	45	50	55	60	65	70	75	80	85	90
13-14,5%	44	50	55	61	66	72	77	83	88	94	99
14-15,7%	49	55	61	67	72	78	84	90	96	102	108
15-16,6%	54	60	66	73	79	85	91	98	104	111	117
16-17,6%	59	66	72	79	85	92	99	106	112	119	126
	63	70	77	85	92	99	106	114	121	129	136
	67	75	82	91	99	106	113	122	130	138	146
	71	79	87	97	106	113	120	130	139	148	156
	75	84	92	103	113	120	127	138	148	157	166
	79	88	97	109	120	127	134	146	157	167	176

\*Note: Max. slope can be up to 25%

## WIND RESISTANCE

PROJECTION (cm)	WIDTH (cm)																	
	450	500	550	600	650	700	750	800	850	900	950	1000	1050	1100	1150	1200	1250	1300
400	11	11	11	11	11	11	11	11	11	11	11	11	11	11	11	11	11	11
450	11	11	11	11	11	11	11	11	10	10	11	11	11	11	11	11	11	11
500	11	11	11	11	11	10	10	10	10	9	11	11	11	11	11	11	11	11
550	11	11	11	10	10	10	9	9	9	9	11	11	11	11	10	10	10	10
600	11	10	10	10	10	9	9	8	8	8	11	10	10	10	10	10	10	10
650	10	10	9	9	9	9	9	8	8	8	10	10	9	9	9	9	9	9
700	10	9	9	9	9	8	8	8	8	8	10	9	9	9	9	9	9	9
750	9	9	8	8	8	8	8	7	7	7	9	9	8	8	8	8	8	8
800	9	8	8	8	8	7	7	7	7	7	9	8	8	8	8	8	8	8
850	8	8	8	8	7	7	7	7	7	7	8	8	8	8	8	8	8	8
900	8	8	7	7	7	7	7	7	6	6	8	8	7	7	7	7	7	7
950	7	7	7	7	6	6	6	6	6	6	7	7	7	7	7	7	7	7
1000	7	7	7	6	6	6	6	6	6	6	7	7	7	7	7	7	7	7

All sides open

PROJECTION (cm)	WIDTH (cm)																		
	450	500	550	600	650	700	750	800	850	900	950	1000	1050	1100	1150	1200	1250	1300	
400	11	11	10	10	10	9	9	9	9	8	8	11	11	10	10	10	10	9	9
450	11	10	10	10	10	9	9	9	9	8	8	11	10	10	10	10	10	9	9
500	10	10	10	10	10	9	9	9	9	8	8	10	10	10	10	10	10	9	9
550	10	10	10	10	10	9	9	9	9	8	8	10	10	10	10	10	10	9	9
600	9	9	9	9	9	9	9	9	9	8	8	9	9	9	9	9	9	9	9
650	9	9	9	9	9	9	9	9	9	8	8	8	9	9	9	9	9	9	9
700	9	9	9	9	9	9	9	9	9	8	8	8	9	9	9	9	9	9	9
750	9	9	9	9	9	8	8	8	8	8	8	9	9	9	9	9	9	9	9
800	8	8	8	8	8	8	8	8	8	8	8	8	8	8	8	8	8	8	8
850	8	8	8	8	8	8	8	8	8	8	8	8	8	8	8	8	8	8	8
900	8	8	8	8	8	8	8	8	8	8	8	8	8	8	8	8	8	8	8
950	8	8	8	8	8	8	8	8	8	8	8	8	8	8	8	8	8	8	8
1000	8	8	8	8	8	8	8	8	8	8	8	8	8	8	8	8	8	8	8

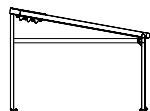
With side enclosure

\*The values are given according to the Beaufort scale.

\*\*Calculated for Products with a front height of 250 cm according to Eurocode EN 1991-1-4 Terrain Category 4.

\*\*\* You can ask for new calculations for special designs.

# SILVER Freestanding



Projection	Width					2 RAILS									3 RAILS									4 RAILS									FS4	FS9-SPD
	250 cm	300 cm	350 cm	400 cm	450 cm	500 cm	550 cm	600 cm	650 cm	700 cm	750 cm	800 cm	850 cm	900 cm	950 cm	1000 cm	1050 cm	1100 cm	1150 cm	1200 cm	1250 cm	1300 cm												
200 cm	€ 8.581	€ 8.942	€ 9.440	€ 9.947	€ 10.310	€ 12.356	€ 12.709	€ 13.063	€ 13.712	€ 14.014	€ 14.266	€ 14.616	€ 14.968	€ 15.320	€ 17.521	€ 17.867	€ 18.217	€ 18.567	€ 18.918	€ 19.195	€ 19.656	€ 20.185	€ 1.152	€ 77										
250 cm	€ 8.983	€ 9.526	€ 10.013	€ 10.387	€ 10.755	€ 12.947	€ 13.493	€ 13.854	€ 14.339	€ 14.652	€ 14.917	€ 15.458	€ 16.001	€ 16.182	€ 18.329	€ 18.688	€ 19.229	€ 19.588	€ 19.951	€ 20.235	€ 20.711	€ 21.250	€ 1.272	€ 107										
300 cm	€ 9.616	€ 10.220	€ 10.765	€ 11.199	€ 11.631	€ 14.034	€ 14.642	€ 15.069	€ 15.613	€ 15.982	€ 16.311	€ 16.912	€ 17.520	€ 17.765	€ 20.082	€ 20.505	€ 21.109	€ 21.528	€ 21.955	€ 22.292	€ 22.829	€ 23.427	€ 1.391	€ 136										
350 cm	€ 10.200	€ 10.643	€ 11.201	€ 11.816	€ 12.258	€ 14.818	€ 15.259	€ 15.877	€ 16.438	€ 16.810	€ 17.153	€ 17.768	€ 18.395	€ 18.644	€ 21.266	€ 21.700	€ 22.138	€ 22.570	€ 23.184	€ 23.532	€ 24.080	€ 24.514	€ 1.511	€ 166										
400 cm	€ 10.615	€ 11.070	€ 11.638	€ 12.265	€ 12.720	€ 15.424	€ 15.877	€ 16.505	€ 17.076	€ 17.463	€ 17.817	€ 18.444	€ 19.074	€ 19.344	€ 22.095	€ 22.542	€ 22.991	€ 23.436	€ 24.061	€ 24.419	€ 24.978	€ 25.423	€ 1.631	€ 196										
450 cm	€ 11.038	€ 11.504	€ 12.085	€ 12.723	€ 13.189	€ 16.045	€ 16.511	€ 17.153	€ 17.735	€ 18.131	€ 18.498	€ 19.136	€ 19.780	€ 20.059	€ 22.942	€ 23.401	€ 23.861	€ 24.319	€ 24.959	€ 25.320	€ 25.893	€ 26.349	€ 1.750	€ 225										
500 cm	€ 11.453	€ 11.932	€ 12.523	€ 13.174	€ 13.653	€ 16.655	€ 17.130	€ 17.783	€ 18.382	€ 18.784	€ 19.162	€ 19.813	€ 20.472	€ 21.687	€ 23.775	€ 24.246	€ 24.718	€ 25.187	€ 25.837	€ 26.211	€ 26.795	€ 28.534	€ 1.870	€ 255										
550 cm	€ 12.100	€ 12.809	€ 13.460	€ 14.171	€ 14.708	€ 17.942	€ 18.660	€ 19.196	€ 20.036	€ 20.496	€ 20.936	€ 21.650	€ 23.254	€ 23.829	€ 25.883	€ 26.443	€ 27.157	€ 27.691	€ 28.402	€ 28.824	€ 30.697	€ 31.451	€ 1.990	€ 284										
600 cm	€ 12.529	€ 13.249	€ 13.915	€ 14.635	€ 15.184	€ 18.565	€ 19.298	€ 19.847	€ 20.696	€ 21.166	€ 21.617	€ 22.344	€ 23.960	€ 24.547	€ 26.760	€ 27.305	€ 28.031	€ 28.575	€ 29.298	€ 29.732	€ 31.616	€ 32.381	€ 2.109	€ 314										
650 cm	€ 12.948	€ 13.681	€ 14.357	€ 15.088	€ 15.651	€ 19.180	€ 19.925	€ 20.486	€ 21.347	€ 21.749	€ 22.208	€ 23.784	€ 24.562	€ 25.164	€ 27.602	€ 28.162	€ 28.805	€ 29.453	€ 31.329	€ 31.814	€ 32.527	€ 33.303	€ 2.229	€ 344										
700 cm	€ 13.369	€ 14.113	€ 14.798	€ 15.545	€ 16.117	€ 19.798	€ 20.552	€ 21.128	€ 22.002	€ 22.408	€ 22.881	€ 24.470	€ 25.265	€ 25.872	€ 28.444	€ 29.013	€ 29.761	€ 30.330	€ 32.222	€ 32.712	€ 33.438	€ 34.225	€ 2.349	€ 373										
750 cm	€ 14.336	€ 15.092	€ 15.790	€ 16.544	€ 17.128	€ 20.958	€ 21.725	€ 22.311	€ 23.199	€ 23.613	€ 24.893	€ 25.696	€ 26.502	€ 27.540	€ 29.832	€ 30.413	€ 31.172	€ 32.852	€ 33.655	€ 34.156	€ 34.892		€ 2.468	€ 666										
800 cm	€ 14.981	€ 15.799	€ 16.555	€ 17.371	€ 18.016	€ 22.065	€ 22.894	€ 23.542	€ 25.766	€ 27.063	€ 27.726	€ 28.662	€ 29.604	€ 30.782	€ 33.436	€ 35.162	€ 36.102	€ 36.861	€ 37.801	€ 38.428			€ 2.588	€ 696										
850 cm	€ 15.610	€ 16.441	€ 17.209	€ 18.038	€ 18.695	€ 22.803	€ 23.646	€ 24.304	€ 27.256	€ 27.848	€ 28.520	€ 29.470	€ 30.830	€ 31.614	€ 35.293	€ 36.060	€ 37.014	€ 37.783	€ 38.737				€ 2.708	€ 726										
900 cm	€ 16.040	€ 17.524	€ 18.366	€ 19.269	€ 19.999	€ 24.286	€ 25.203	€ 26.603	€ 27.687	€ 28.279	€ 28.951	€ 29.901	€ 31.260	€ 32.045	€ 35.723	€ 36.491	€ 37.444	€ 38.214					€ 2.827	€ 755										
950 cm	€ 16.471	€ 17.954	€ 18.797	€ 19.700	€ 20.430	€ 24.717	€ 25.633	€ 27.034	€ 28.117	€ 28.709	€ 29.381	€ 30.331	€ 31.691	€ 32.475	€ 36.154	€ 36.921	€ 37.875						€ 2.947	€ 785										
1000 cm	€ 16.901	€ 18.385	€ 19.227	€ 20.130	€ 20.860	€ 25.147	€ 26.690	€ 27.464	€ 30.978	€ 31.616	€ 32.334	€ 33.330	€ 34.736	€ 35.566	€ 39.902	€ 40.715							€ 3.067	€ 814										
FS3	€ 241	€ 252	€ 275	€ 302	€ 327	€ 352	€ 377	€ 402	€ 427	€ 452	€ 581	€ 606	€ 631	€ 656	€ 683	€ 708	€ 733	€ 758	€ 783	€ 808	€ 833	€ 858												
FS5-A	€ 44	€ 56	€ 65	€ 75	€ 87	€ 96	€ 108	€ 117	€ 129	€ 139	€ 150	€ 160	€ 171	€ 181	€ 192	€ 202	€ 214	€ 223	€ 235	€ 244	€ 256	€ 266												
FS5-E	€ 61	€ 77	€ 90	€ 103	€ 119	€ 132	€ 148	€ 162	€ 178	€ 191	€ 207	€ 220	€ 236	€ 249	€ 265	€ 278	€ 294	€ 307	€ 323	€ 336	€ 352	€ 366												

Side beam pillar is included in the price

FS3	Gutter System
FS5-A	Additional Fabric Support Profile (Standard)
FS5-E	Additional Fabric Support Profile (3 Axis)
FS4	Additional Rail - Al.Plus- 120x150mm
FS8	Lighting System
FS9-SPD	Price difference between Al. 50x150mm to Al. 100x150mm Special side beam and Al. 50x100mm to Al. 100x100mm side beam pillar

FS8	
FS8-S	SPOT
FS8-L	LINEAR
FS8-LR (RGB)	LINEAR (RGB)

LED TYPE & MODULE		
2 LED	3 LED	4 LED
€ 136	€ 165	€ 194
€ 194	€ 252	
€ 247	€ 320	

### Notes:

- FS9- Side Beam (Al. 50x150mm) is included in the price for right and left side. For other option which is FS9-S (Al. 100x150mm) Special Side Beam is extra cost. The difference of the cost applies with FS9-SPD option code and for only one side of the pergola. If 100x150 mm aluminum box profile is preferred as side beam, there will be no price difference, but this should be stated in the technical drawing.
- If the projection is bigger than 700cm, a side beam pillar needs to be added up to rail (FS15 or FS15-B), FS15 Side Beam Pillar (Al. 50x100mm) included in the product price. FS15-B Side beam (Al. 100x100mm) included in FS9-SPD option.
- FS Flexy Plain/3D or Stam 6002 is included in the price.
- Motor and Remote control is included in the price.
- Palmiye Aluminium Coating Catalogue includes the standard colours with no extra cost. For any other type/brand/color of paint, price difference and additional delivery duration shall be checked from your customer representative.
- Standard fabric support profile plastic colours are specified in Palmiye Aluminium Coating Catalogue.
- In pergolas including steel front pillars, if gutter option is preferred, external water drainage points will be specified according to the Project and will be priced additionally.

### DEDUCTIONS

Price deduction is applicable only for pillars and beam. Deduction amount shall be consider as 70% of related option price.

## OPTIONS

FS10	Extra pillar (100x100mm Al.)	€ 548	pcs
FS10-ST3	Extra pillar (100x100x3mm St.)	€ 525	pcs
FS10-ST5	Extra pillar (100x100x5mm St.)	€ 765	pcs
FS11	Deco ceiling cover	€ 72	m <sup>2</sup>
FS15	Side beam pillar (50x100mm - Al)	€ 284	pcs
FS15-B	Side beam pillar (100x100mm - Al)	€ 548	pcs
FS19	Fix louver	€ 75	lm
FS23	External Square Downpipe	€ 335	pcs
FS24	W96 Ceiling Cover	€ 84	m <sup>2</sup>
FS26	Exclusive fabric difference (up to 800cm width)	€ 49	m <sup>2</sup>
FS29-1	Sun Sensor (SUNIS) (for single motor)	€ 621	pcs
FS29-1S	Sun Sensor (SUNIS) (for synchronized motor)	€ 990	pcs
FS29-2	Wind Sensor (EOLIS RTS) (for single motor)	€ 293	pcs
FS29-2S	Wind Sensor (EOLIS RTS) (for synchronized motor)	€ 658	pcs
FS29-3	Sun and Wind Sensor (SOLIRIS RTS) (for single motor)	€ 331	pcs
FS29-3S	Sun and Wind Sensor (SOLIRIS RTS) (for synchronized motor)	€ 696	pcs
FS29-4 <sup>2/3</sup>	Rain Sensor (ONDEIS) (for single motor)	€ 574	pcs
FS29-4S <sup>2/3</sup>	Rain Sensor (ONDEIS) (for synchronized motor)	€ 938	pcs
FS30	CONNEXOON	€ 525	pcs

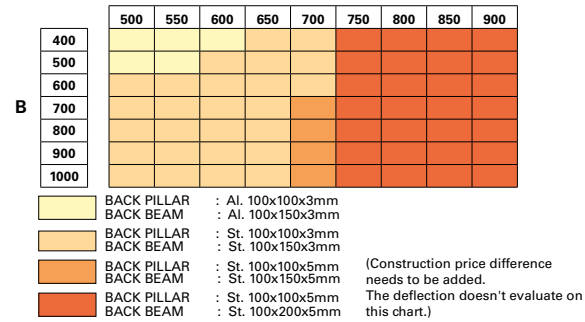
### Notes:

1. Fabric support profiles can be painted in the same color as the general construction. No fee is paid for this process. However, the plastic color should be specified from our standard plastic colours in Palmiye Color Chart.

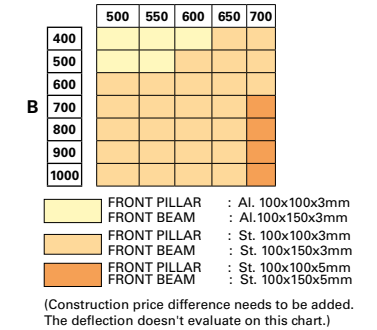
2. For one product, a dry contact transmitter costing 368€, must be added.

3. Up to 5 products, a RS485 Automation interface dry contact transmitter costing 1126€, must be added.

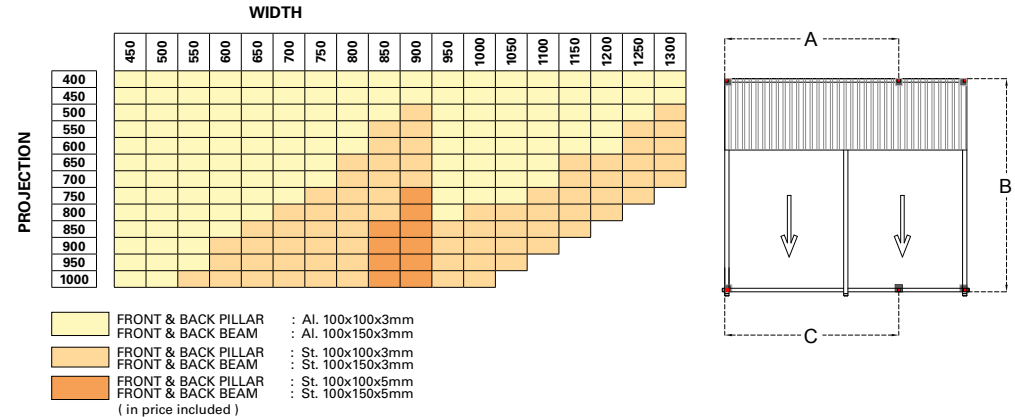
## BACK PILLAR POSITION CHANGE



## FRONT PILLAR POSITION CHANGE



## STANDARD CONSTRUCTION



## EXTENSIONS

Rail	Plus - 12150mm	€ 337	lm
Beam	Al. 100x150mm	€ 155	lm
Beam	St. 100x150x3mm	€ 320	lm
Beam	St. 100x150x5mm	€ 388	lm
Beam	St. 100x200x3mm	€ 325	lm
Beam	St. 100x200x5mm	€ 462	lm
Fabric protection cover	Al. - 63x__cm	€ 60	m <sup>2</sup>
Gutter	Special Profile	€ 45	lm
Pillar	Al. 100x100mm	€ 173	lm
Pillar	St. 100x100x3mm	€ 217	lm
Pillar	St. 100x100x5mm	€ 388	lm
Pillar	St. 150x150x3mm	€ 439	lm
Pillar	St. 150x150x5mm	€ 615	lm

## PRICE DIFFERENCE

		BEAM GROUP	
		Standard	Al. 100x150mm
Beam	to	St. 100x150x3mm	€ 160 lm
		St. 100x150x5mm	€ 238 lm
		St. 100x200x3mm	€ 165 lm
		St. 100x200x5mm	€ 311 lm
		PILLAR GROUP	
		Standard	Al. 100x100mm
Pillar	to	St. 100x100x3mm	€ 111 pcs
		St. 100x100x5mm	€ 456 pcs
		St. 150x150x3mm	€ 696 pcs
		St. 150x150x5mm	€ 1.231 pcs

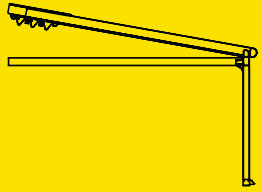
\*Max. Al. Front pillar (Al. 100x100mm) height is 280cm

\*Max. St 3mm. Front pillar (St. 100x100x3mm) height is 380cm

\*Max. St. 5mm Front pillar (St. 100x100x5mm) height is 480cm

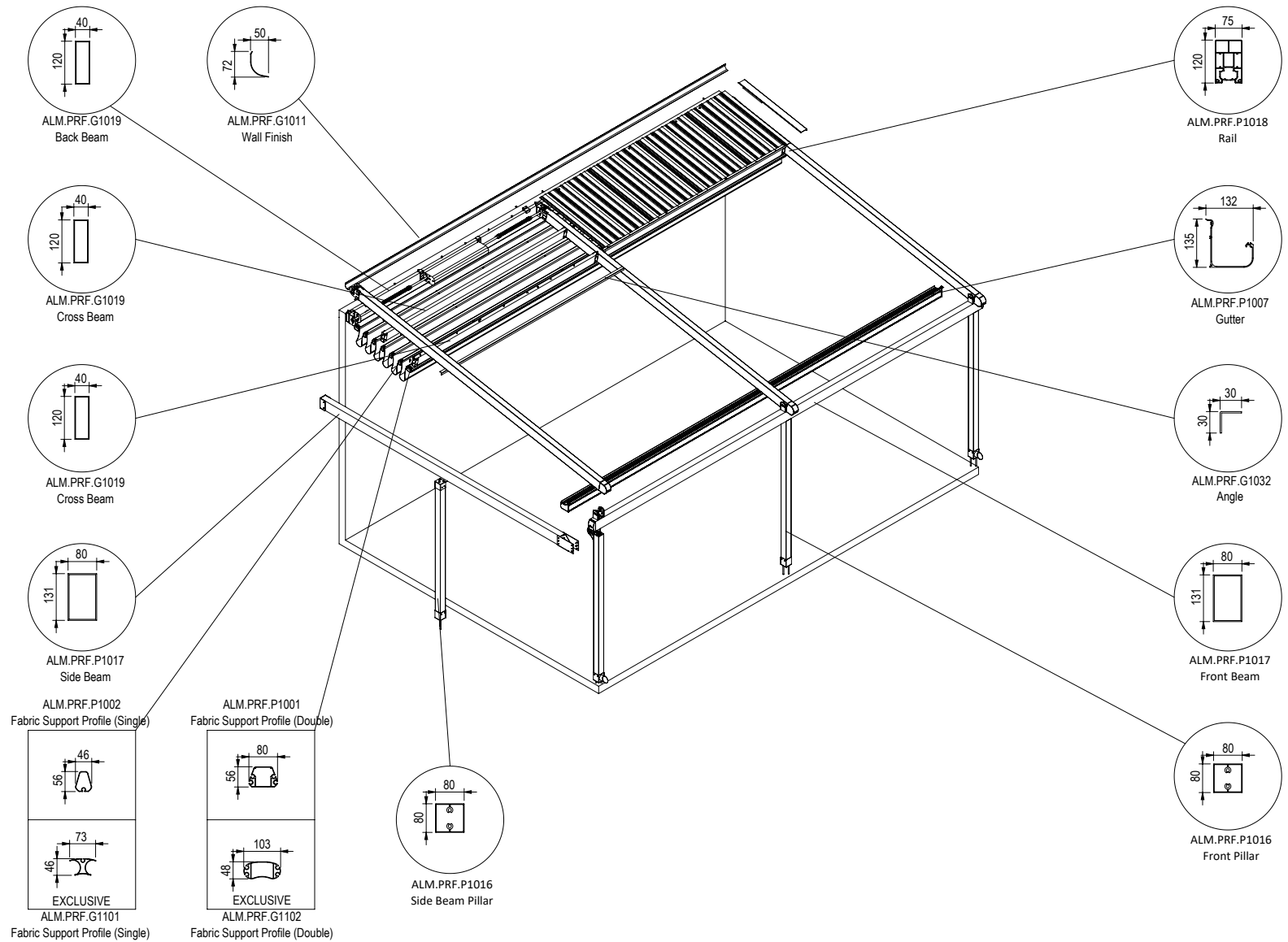
# SILVER

## Compact Wall / Ceiling



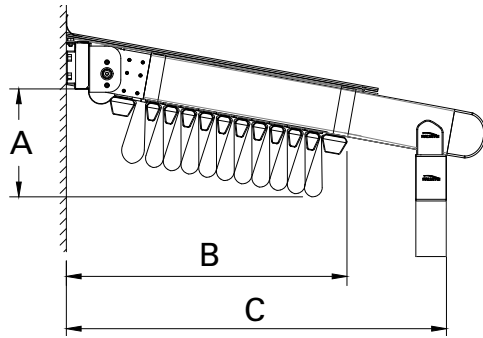
### MAXIMUM DIMENSIONS

	WIDTH	PROJECTION
2 RAILS	450 cm	600 cm
3 RAILS	900 cm	600 cm
4 RAILS	1300 cm	600 cm



# TECHNICAL FEATURES

## COLLECTED FABRIC DIMENSIONS



Projection cm		
	185 235 284 334 383 433 482 532 581	<b>C</b>
No of Fabric Support Profiles	4 34	61
	5 35	68
	6 36	74
	7 37	81
	8 38	87
	9 39	94
	10 40	100
	11 41	107
	13 43	120

\*Calculated according to a slope of 15%

## DRAINAGE CALCULATION

Type	Max. m <sup>2</sup>
Compact	30 m <sup>2</sup> /pc

\* per drainage

There should be at least one drainage, each 8 m length gutter.

## MINIMUM SLOPE CHART

Slope	6,4-7,9%	7,4-8,8%	8,4-9,7%	9,4-10,8%	10,4-12%	11,2-12,7%	12-13,4%	13-14,5%	14-15,7%	15-16,6%	16-17,6%	
Rail Center												
	200	225	250	275	300	325	350	375	400	425	450	
Projection	250	11	14	16	19	21	23	25	28	30	33	35
	300	15	18	21	24	26	29	32	35	37	40	43
	350	18	22	25	29	32	35	38	41	44	48	51
	400	22	26	30	34	37	41	44	48	52	56	59
	450	27	31	35	39	43	47	51	55	59	64	68
	500	31	36	40	45	49	54	58	63	67	72	76
	550	35	40	45	50	55	60	65	70	75	80	85
	600	39	45	50	56	61	67	72	78	83	89	94

\*Note: Max. slope can be up to 25%

For back height of system 25 cm should be added to slope value.

## WIND RESISTANCE

PROJECTION (cm)	WIDTH (cm)																	
	450	500	550	600	650	700	750	800	850	900	950	1000	1050	1100	1150	1200	1250	1300
400	11	11	11	11	10	10	10	10	10	10	11	11	11	11	11	10	10	10
450	11	11	10	10	10	9	9	9	9	9	11	11	10	10	10	10	10	10
500	10	10	9	9	9	9	9	8	8	8	10	10	9	9	9	9	9	9
550	9	9	9	9	8	8	8	8	8	7	9	9	9	9	9	9	8	8
600	9	9	8	8	8	8	7	7	7	6	9	9	8	8	8	8	8	8

All sides open

PROJECTION (cm)	WIDTH (cm)																	
	450	500	550	600	650	700	750	800	850	900	950	1000	1050	1100	1150	1200	1250	1300
400	9	9	9	9	9	9	9	8	8	8	9	9	9	9	9	9	9	9
450	9	9	8	8	8	8	8	8	8	7	9	9	8	8	8	8	8	8
500	8	8	8	8	8	8	7	7	7	7	8	8	8	8	8	8	8	8
550	8	8	7	7	7	7	7	7	7	7	8	8	7	7	7	7	7	7
600	7	7	7	7	7	6	6	6	6	6	7	7	7	7	7	7	7	7

With side enclosure

\*The values are given according to the Beaufort scale.

\*\*Calculated for Products with a front height of 250 cm according to Eurocode EN 1991-1-4 Terrain Category 4.

\*\*\* You can ask for new calculations for special designs.

# SILVER Compact Wall / Ceiling



Projection	Width																							FS4 FS10-C	FS9-C
	2 RAILS					3 RAILS									4 RAILS										
	250 cm	300 cm	350 cm	400 cm	450 cm	500 cm	550 cm	600 cm	650 cm	700 cm	750 cm	800 cm	850 cm	900 cm	950 cm	1000 cm	1050 cm	1100 cm	1150 cm	1200 cm	1250 cm	1300 cm			
200 cm	€ 5.629	€ 5.902	€ 6.286	€ 6.675	€ 6.948	€ 8.159	€ 8.424	€ 8.690	€ 9.193	€ 9.416	€ 9.599	€ 9.861	€ 10.123	€ 10.385	€ 11.717	€ 11.973	€ 12.233	€ 12.495	€ 12.755	€ 12.957	€ 13.305	€ 13.709	€ 1.375	€ 200	
250 cm	€ 5.871	€ 6.290	€ 6.664	€ 6.946	€ 7.223	€ 8.550	€ 8.971	€ 9.242	€ 9.612	€ 9.842	€ 10.037	€ 10.450	€ 10.868	€ 10.993	€ 12.278	€ 12.546	€ 12.959	€ 13.227	€ 13.496	€ 13.702	€ 14.063	€ 14.473	€ 1.477	€ 241	
300 cm	€ 6.297	€ 6.767	€ 7.186	€ 7.517	€ 7.844	€ 9.341	€ 9.811	€ 10.134	€ 10.551	€ 10.828	€ 11.071	€ 11.534	€ 12.001	€ 12.177	€ 13.599	€ 13.917	€ 14.381	€ 14.695	€ 15.015	€ 15.264	€ 15.672	€ 16.130	€ 1.579	€ 283	
350 cm	€ 6.684	€ 7.023	€ 7.451	€ 7.929	€ 8.265	€ 9.885	€ 10.220	€ 10.697	€ 11.128	€ 11.406	€ 11.661	€ 12.134	€ 12.617	€ 12.795	€ 14.460	€ 14.785	€ 15.114	€ 15.440	€ 15.909	€ 16.166	€ 16.583	€ 16.908	€ 1.681	€ 323	
400 cm	€ 6.935	€ 7.281	€ 7.719	€ 8.204	€ 8.550	€ 10.286	€ 10.630	€ 11.115	€ 11.552	€ 11.842	€ 12.104	€ 12.587	€ 13.071	€ 13.266	€ 15.034	€ 15.369	€ 15.707	€ 16.042	€ 16.519	€ 16.783	€ 17.210	€ 17.543	€ 1.781	€ 366	
450 cm	€ 7.190	€ 7.545	€ 7.994	€ 8.488	€ 8.841	€ 10.697	€ 11.051	€ 11.545	€ 11.992	€ 12.289	€ 12.563	€ 13.053	€ 13.547	€ 13.749	€ 15.619	€ 15.966	€ 16.312	€ 16.656	€ 17.146	€ 17.412	€ 17.848	€ 18.190	€ 1.883	€ 406	
500 cm	€ 7.440	€ 7.805	€ 8.260	€ 8.763	€ 9.128	€ 11.100	€ 11.459	€ 11.962	€ 12.422	€ 12.723	€ 13.004	€ 13.505	€ 14.011	€ 14.220	€ 16.194	€ 16.549	€ 16.905	€ 17.256	€ 17.754	€ 18.029	€ 18.472	€ 18.826	€ 1.985	€ 448	
550 cm	€ 7.874	€ 8.424	€ 8.928	€ 9.478	€ 9.889	€ 12.044	€ 12.598	€ 13.006	€ 13.659	€ 14.005	€ 14.336	€ 14.886	€ 15.442	€ 15.844	€ 17.790	€ 18.214	€ 18.762	€ 19.165	€ 19.711	€ 20.023	€ 20.515	€ 21.060	€ 2.087	€ 489	
600 cm	€ 8.132	€ 8.692	€ 9.206	€ 9.764	€ 10.183	€ 12.454	€ 13.021	€ 13.438	€ 14.097	€ 14.450	€ 14.789	€ 15.350	€ 15.913	€ 16.327	€ 18.396	€ 18.807	€ 19.365	€ 19.776	€ 20.328	€ 20.652	€ 21.151	€ 21.703	€ 2.189	€ 531	
FS3	€ 241	€ 252	€ 275	€ 302	€ 327	€ 352	€ 377	€ 402	€ 427	€ 452	€ 581	€ 606	€ 631	€ 656	€ 683	€ 708	€ 733	€ 758	€ 783	€ 808	€ 833	€ 858			
FS5-A	€ 44	€ 56	€ 65	€ 75	€ 87	€ 96	€ 108	€ 117	€ 129	€ 139	€ 150	€ 160	€ 171	€ 181	€ 192	€ 202	€ 214	€ 223	€ 235	€ 244	€ 256	€ 266			
FS5-E	€ 61	€ 77	€ 90	€ 103	€ 119	€ 132	€ 148	€ 162	€ 178	€ 191	€ 207	€ 220	€ 236	€ 249	€ 265	€ 278	€ 294	€ 307	€ 323	€ 336	€ 352	€ 366			

FS3	Gutter System
FS5-A	Additional Fabric Support Profile (Standard)
FS5-E	Additional Fabric Support Profile (3 Axis)
FS4 FS10-C	Additional Rail for Compact Series- AL- 75x120mm Additional Pillar for Compact Series- AL- 80x80mm
FS8	Lighting System
FS9-C	Side Beam for Compact Series- AL- 80x130mm

FS8	
FS8-S	SPOT
FS8-L	LINEAR
FS8-LR (RGB)	LINEAR (RGB)

LEDTYPE & MODULE		
2 LED	3 LED	4 LED
€ 136	€ 165	€ 194
€ 194	€ 252	
€ 247	€ 320	

### Notes:

1. Any side beam is not included in the price.
2. FS Flexy Plain/3D or Stam 6002 is included in the price.
3. Motor and Remote control is included in the price.
4. Palmiye Aluminium Coating Catalogue includes the standard colours with no extra cost. For any other type/brand/coulor of paint, price difference and additional delivery duration shall be checked from your customer representative.
5. Standard fabric support profile plastic colours are specified in Palmiye Aluminium Coating Catalogue.

### DEDUCTION

Price deduction is applicable only for pillars and beam. Deduction amount shall be considered as 70% of related option price.

## OPTIONS

FS10-C	Extra pillar (80x80mm Al.)	€ 403	pcs
FS10	Extra pillar (100x100mm Al.)	€ 548	pcs
FS10-ST3	Extra pillar (100x100x3mm St.)	€ 525	pcs
FS10-ST5	Extra pillar (100x100x5mm St.)	€ 765	pcs
FS11	Deco ceiling cover	€ 72	m <sup>2</sup>
FS15-C	Side beam pillar (80x80mm - Al)	€ 403	pcs
FS19	Fix louver	€ 75	lm
FS23	External Square Downpipe	€ 335	pcs
FS24	W96 Ceiling Cover	€ 84	m <sup>2</sup>
FS26	Exclusive fabric difference (up to 800cm width)	€ 49	m <sup>2</sup>
FS29-1	Sun Sensor (SUNIS) (for single motor)	€ 621	pcs
FS29-1S	Sun Sensor (SUNIS) (for synchronized motor)	€ 990	pcs
FS29-2	Wind Sensor (EOLIS RTS) (for single motor)	€ 293	pcs
FS29-2S	Wind Sensor (EOLIS RTS) (for synchronized motor)	€ 658	pcs
FS29-3	Sun and Wind Sensor (SOLIRIS RTS) (for single motor)	€ 331	pcs
FS29-3S	Sun and Wind Sensor (SOLIRIS RTS) (for synchronized motor)	€ 696	pcs
FS29-4 <sup>2/3</sup>	Rain Sensor (ONDEIS) (for single motor)	€ 574	pcs
FS29-4S <sup>2/3</sup>	Rain Sensor (ONDEIS) (for synchronized motor)	€ 938	pcs
FS30	CONNEXOON	€ 525	pcs

### Notes:

1. Fabric support profiles can be painted in the same color as the general construction. No fee is paid for this process. However, the plastic color should be specified from our standard plastic colours in Palmiye Color Chart.

2. For one product, a dry contact transmitter costing 368€, must be added.

3. Up to 5 products, a RS485 Automation interface dry contact transmitter costing 1126€, must be added.

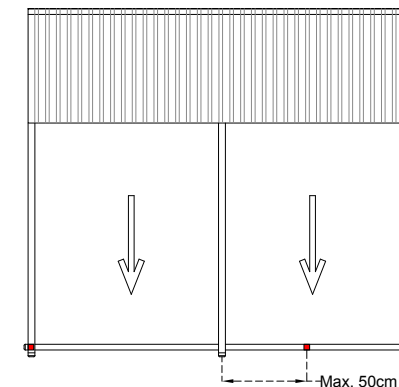
## EXTENSIONS

Rail	Compact - 75x120mm	€ 206	lm
Beam	Al. 40x120mm	€ 65	lm
Beam	Al. 42x150mm	€ 105	lm
Beam	Al. 50x150mm	€ 186	lm
Beam	Al. 80x130mm	€ 98	lm
Beam	Al. 100x150mm	€ 155	lm
Beam	St. 100x150x3mm	€ 320	lm
Beam	St. 100x150x5mm	€ 388	lm
Beam	St. 100x200x3mm	€ 325	lm
Beam	St. 100x200x5mm	€ 462	lm
Fabric protection cover	Al. - 63x___cm	€ 60	m <sup>2</sup>
Gutter	Special Profile	€ 45	lm
Pillar	Al. 80x80mm	€ 87	lm
Pillar	Al. 100x100mm	€ 173	lm
Pillar	St. 100x100x3mm	€ 217	lm
Pillar	St. 100x100x5mm	€ 388	lm
Pillar	St. 150x150x3mm	€ 439	lm
Pillar	St. 150x150x5mm	€ 615	lm

\*Max. Al. Front pillar (Al. 80x80mm) height is 280cm

\*Max. St 3mm. Front pillar (St. 100x100x3mm) height is 380cm

\*Max. St. 5mm Front pillar (St. 100x100x5mm) height is 480cm



Middle front pillars can only be moved max. 50 cm towards right or left side.

## PRICE DIFFERENCE

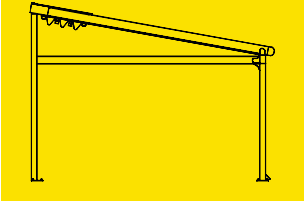
		BEAM GROUP	
		Standard	Al. 40x120mm
Back Beam	to	Al. 42x150mm	€ 40 lm
		Al. 50x150mm	€ 122 lm
		Al. 80x130mm	€ 31 lm
		St. 50x150x3mm	€ 156 lm
		St. 50x150x5mm	€ 244 lm
		Al. 100x150mm	€ 89 lm
		St. 100x150x3mm	€ 262 lm
		St. 100x150x5mm	€ 336 lm
		St. 100x200x3mm	€ 266 lm
		St. 100x200x5mm	€ 410 lm

		Standard	Al. 80x130mm
Front Beam	to	Al. 100x150mm	€ 57 lm
		St. 100x150x3mm	€ 234 lm
		St. 100x150x5mm	€ 312 lm
		St. 100x200x3mm	€ 239 lm
		St. 100x200x5mm	€ 385 lm

		PILLAR GROUP	
		Standard	Al. 80x80mm
Front Pillar	to	Al. 100x100mm	€ 142 pcs
		St. 100x100x3mm	€ 296 pcs
		St. 100x100x5mm	€ 641 pcs
		St. 150x150x3mm	€ 881 pcs
		St. 150x150x5mm	€ 1.416 pcs

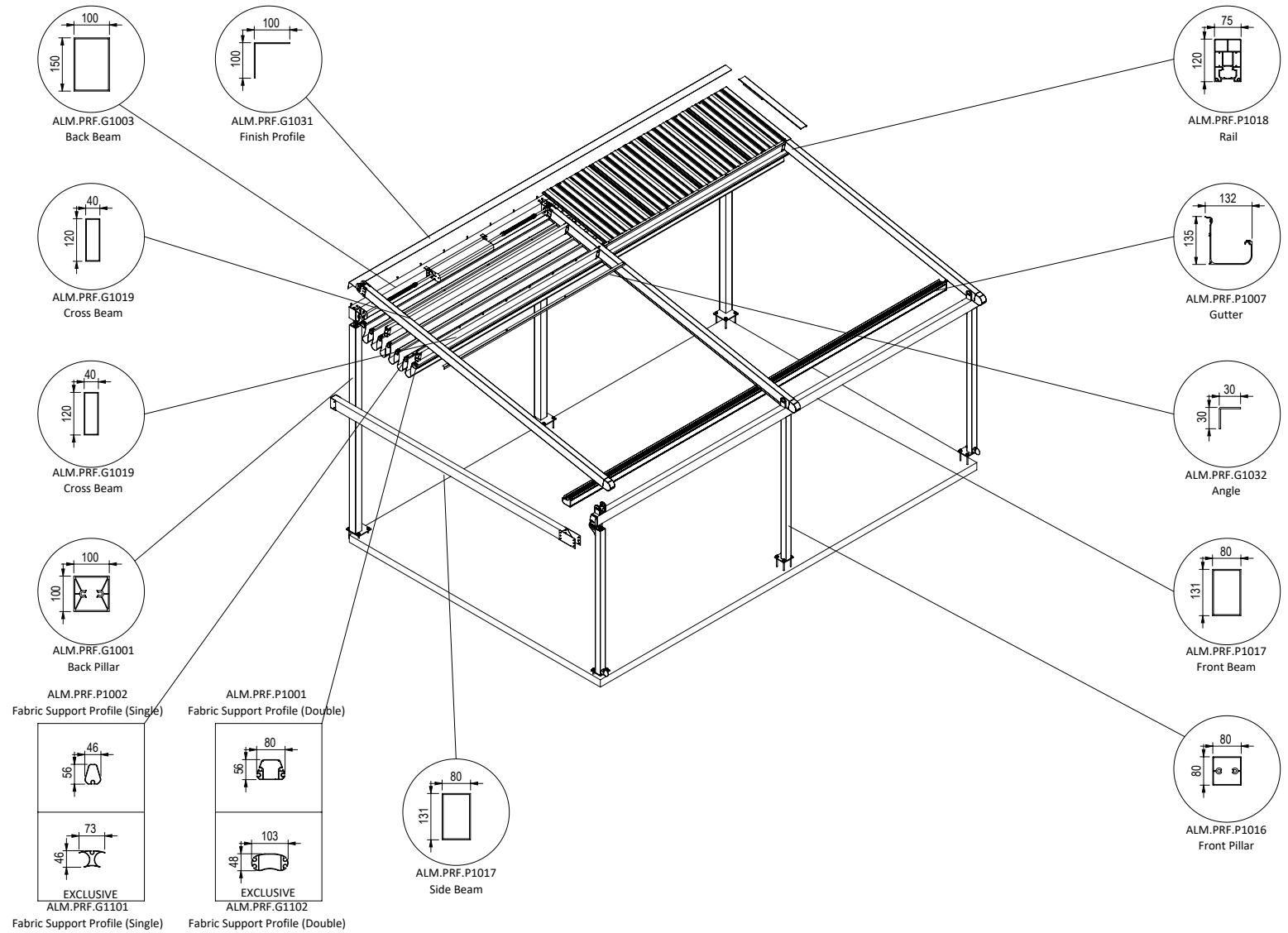
# SILVER

## Compact Freestanding



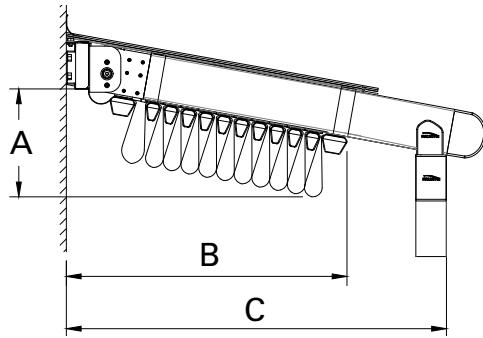
### MAXIMUM DIMENSIONS

	WIDTH	PROJECTION
2 RAILS	450 cm	600 cm
3 RAILS	900 cm	600 cm
4 RAILS	1300 cm	600 cm



# TECHNICAL FEATURES

## COLLECTED FABRIC DIMENSIONS



No of Fabric Support Profiles	Projection cm										C
	185	235	284	334	383	433	482	532	581		
4	34										61
5		35									68
6			36								74
7				37							81
8					38						87
9						39					94
10							40				100
11								41			107
13									43		120

\*Calculated according to a slope of 15%

## DRAINAGE CALCULATION

Type	Max. m <sup>2</sup>
Compact	30 m <sup>2</sup> /pc

\* per drainage

There should be at least one drainage, each 8 m length gutter.

## MINIMUM SLOPE CHART

Slope	Rail Center										
	200	225	250	275	300	325	350	375	400	425	450
6,4-7,9%	11	14	16	19	21	23	25	28	30	33	35
7,4-8,8%	15	18	21	24	26	29	32	35	37	40	43
8,4-9,7%	18	22	25	29	32	35	38	41	44	48	51
9,4-10,8%	22	26	30	34	37	41	44	48	52	56	59
10,4-12%	27	31	35	39	43	47	51	55	59	64	68
11,2-12,7%	31	36	40	45	49	54	58	63	67	72	76
12-13,4%	35	40	45	50	55	60	65	70	75	80	85
13-14,5%	39	45	50	56	61	67	72	78	83	89	94

\*Note: Max. slope can be up to 25%

For back height of system 25 cm should be added to slope value.

## WIND RESISTANCE

PROJECTION (cm)	WIDTH (cm)																	
	450	500	550	600	650	700	750	800	850	900	950	1000	1050	1100	1150	1200	1250	1300
400	11	11	11	11	10	10	10	10	10	10	11	11	11	11	11	11	10	10
450	11	11	10	10	10	9	9	9	9	9	11	11	10	10	10	10	10	10
500	10	10	9	9	9	9	9	8	8	8	10	10	9	9	9	9	9	9
550	9	9	9	9	8	8	8	8	8	7	9	9	9	9	9	9	8	8
600	9	9	8	8	8	8	7	7	7	6	9	9	8	8	8	8	8	8

All sides open

PROJECTION (cm)	WIDTH (cm)																	
	450	500	550	600	650	700	750	800	850	900	950	1000	1050	1100	1150	1200	1250	1300
400	9	9	9	9	9	9	9	8	8	8	9	9	9	9	9	9	9	9
450	9	9	8	8	8	8	8	8	8	7	9	9	8	8	8	8	8	8
500	8	8	8	8	8	8	7	7	7	7	8	8	8	8	8	8	8	8
550	8	8	7	7	7	7	7	7	7	7	8	8	7	7	7	7	7	7
600	7	7	7	7	7	6	6	6	6	6	7	7	7	7	7	7	7	7

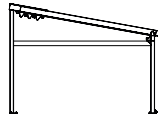
With side enclosure

\*The values are given according to the Beaufort scale.

\*\*Calculated for Products with a front height of 250 cm according to Eurocode EN 1991-1-4 Terrain Category 4.

\*\*\* You can ask for new calculations for special designs.

# SILVER Compact Freestanding



Projection	Width					2 RAILS										3 RAILS										4 RAILS										FS4 FS10-C
	250 cm	300 cm	350 cm	400 cm	450 cm	500 cm	550 cm	600 cm	650 cm	700 cm	750 cm	800 cm	850 cm	900 cm	950 cm	1000 cm	1050 cm	1100 cm	1150 cm	1200 cm	1250 cm	1300 cm														
200 cm	€ 7.140	€ 7.436	€ 7.842	€ 8.254	€ 8.549	€ 10.287	€ 10.575	€ 10.863	€ 11.389	€ 11.634	€ 11.840	€ 12.125	€ 12.409	€ 12.694	€ 14.553	€ 14.832	€ 15.114	€ 15.399	€ 15.681	€ 15.906	€ 16.276	€ 16.703	€ 1.375													
250 cm	€ 7.460	€ 7.902	€ 8.299	€ 8.604	€ 8.903	€ 10.757	€ 11.200	€ 11.494	€ 11.887	€ 12.139	€ 12.357	€ 12.792	€ 13.232	€ 13.380	€ 15.193	€ 15.483	€ 15.919	€ 16.209	€ 16.501	€ 16.729	€ 17.112	€ 17.545	€ 1.477													
300 cm	€ 7.969	€ 8.461	€ 8.903	€ 9.256	€ 9.606	€ 11.630	€ 12.122	€ 12.469	€ 12.908	€ 13.208	€ 13.473	€ 13.958	€ 14.448	€ 14.647	€ 16.596	€ 16.936	€ 17.423	€ 17.760	€ 18.102	€ 18.373	€ 18.804	€ 19.285	€ 1.579													
350 cm	€ 8.435	€ 8.796	€ 9.247	€ 9.747	€ 10.106	€ 12.253	€ 12.611	€ 13.110	€ 13.563	€ 13.864	€ 14.141	€ 14.637	€ 15.142	€ 15.343	€ 17.535	€ 17.883	€ 18.235	€ 18.583	€ 19.075	€ 19.354	€ 19.793	€ 20.141	€ 1.681													
400 cm	€ 8.768	€ 9.137	€ 9.597	€ 10.104	€ 10.473	€ 12.736	€ 13.103	€ 13.610	€ 14.070	€ 14.383	€ 14.667	€ 15.172	€ 15.679	€ 15.896	€ 18.191	€ 18.549	€ 18.910	€ 19.267	€ 19.767	€ 20.053	€ 20.502	€ 20.858	€ 1.781													
450 cm	€ 9.101	€ 9.479	€ 9.950	€ 10.467	€ 10.843	€ 13.226	€ 13.602	€ 14.119	€ 14.588	€ 14.908	€ 15.204	€ 15.717	€ 16.233	€ 16.458	€ 18.856	€ 19.224	€ 19.593	€ 19.960	€ 20.472	€ 20.760	€ 21.219	€ 21.584	€ 1.883													
500 cm	€ 9.434	€ 9.821	€ 10.298	€ 10.824	€ 11.212	€ 13.711	€ 14.092	€ 14.618	€ 15.101	€ 15.425	€ 15.728	€ 16.252	€ 16.779	€ 17.011	€ 19.512	€ 19.890	€ 20.268	€ 20.642	€ 21.163	€ 21.460	€ 21.926	€ 22.302	€ 1.985													
550 cm	€ 9.947	€ 10.519	€ 11.045	€ 11.617	€ 12.052	€ 14.734	€ 15.310	€ 15.741	€ 16.416	€ 16.785	€ 17.138	€ 17.711	€ 18.289	€ 18.714	€ 21.187	€ 21.634	€ 22.204	€ 22.629	€ 23.198	€ 23.533	€ 24.048	€ 24.614	€ 2.087													
600 cm	€ 10.287	€ 10.869	€ 11.406	€ 11.986	€ 12.428	€ 15.226	€ 15.815	€ 16.255	€ 16.936	€ 17.312	€ 17.673	€ 18.257	€ 18.843	€ 19.279	€ 21.875	€ 22.309	€ 22.889	€ 23.323	€ 23.898	€ 24.244	€ 24.766	€ 25.340	€ 2.189													
FS3	€ 241	€ 252	€ 275	€ 302	€ 327	€ 352	€ 377	€ 402	€ 427	€ 452	€ 581	€ 606	€ 631	€ 656	€ 683	€ 708	€ 733	€ 758	€ 783	€ 808	€ 833	€ 858														
FS5-A	€ 44	€ 56	€ 65	€ 75	€ 87	€ 96	€ 108	€ 117	€ 129	€ 139	€ 150	€ 160	€ 171	€ 181	€ 192	€ 202	€ 214	€ 223	€ 235	€ 244	€ 256	€ 266														
FS5-E	€ 61	€ 77	€ 90	€ 103	€ 119	€ 132	€ 148	€ 162	€ 178	€ 191	€ 207	€ 220	€ 236	€ 249	€ 265	€ 278	€ 294	€ 307	€ 323	€ 336	€ 352	€ 366														

FS3	Gutter System
FS5-A	Additional Fabric Support Profile (Standard)
FS5-E	Additional Fabric Support Profile (3 Axis)
FS4 FS10-C	Additional Rail for Compact Series- Al.- 75x120mm Additional Pillar for Compact Series- Al.- 80x80mm
FS8	Lighting System

FS8	
FS8-S	SPOT
FS8-L	LINEAR
FS8-LR (RGB)	LINEAR (RGB)

LED TYPE & MODULE		
2 LED	3 LED	4 LED
€ 136	€ 165	€ 194
€ 194	€ 252	
€ 247	€ 320	

### Notes:

- FS9-C- Side Beam (Al. 80x130mm) is included in the price for right and left side.
- FS Flexy Plain/3D or Stam 6002 is included in the price.
- Motor and Remote control is included in the price.
- Palmye Aluminium Coating Catalogue includes the standard colours with no extra cost. For any other type/brand/color of paint, price difference and additional delivery duration shall be checked from your customer representative.
- Standard fabric support profile plastic colours are specified in Palmye Aluminium Coating Catalogue.
- If you use an additional rail you have to add a front pillar. It's included in the price. (FS4+FS10-C)
- In pergolas including steel front pillars, if gutter option is preferred, external water drainage points will be specified according to the Project and will be priced additionally.

### DEDUCTIONS

Price deduction is applicable only for front & back pillars and side beam. Deduction amount shall be consider as 70% of related option price.

## OPTIONS

FS10-C	Extra pillar (80x80mm Al.)	€ 403	pcs
FS10	Extra pillar (100x100mm Al.)	€ 548	pcs
FS10-ST3	Extra pillar (100x100x3mm St.)	€ 525	pcs
FS10-ST5	Extra pillar (100x100x5mm St.)	€ 765	pcs
FS11	Deco ceiling cover	€ 72	m <sup>2</sup>
FS15-C	Side beam pillar (80x80mm - Al)	€ 403	pcs
FS19	Fix louver	€ 75	lm
FS23	External Square Downpipe	€ 335	pcs
FS24	W96 Ceiling Cover	€ 84	m <sup>2</sup>
FS26	Exclusive fabric difference (up to 800cm width)	€ 49	m <sup>2</sup>
FS29-1	Sun Sensor (SUNIS) (for single motor)	€ 621	pcs
FS29-1S	Sun Sensor (SUNIS) (for synchronized motor)	€ 990	pcs
FS29-2	Wind Sensor (EOLIS RTS) (for single motor)	€ 293	pcs
FS29-2S	Wind Sensor (EOLIS RTS) (for synchronized motor)	€ 658	pcs
FS29-3	Sun and Wind Sensor (SOLIRIS RTS) (for single motor)	€ 331	pcs
FS29-3S	Sun and Wind Sensor (SOLIRIS RTS) (for synchronized motor)	€ 696	pcs
FS29-4 <sup>2/3</sup>	Rain Sensor (ONDEIS) (for single motor)	€ 574	pcs
FS29-4S <sup>2/3</sup>	Rain Sensor (ONDEIS) (for synchronized motor)	€ 938	pcs
FS30	CONNEXOON	€ 525	pcs

### Notes:

1. Fabric support profiles can be painted in the same color as the general construction. No fee is paid for this process. However, the plastic color should be specified from our standard plastic colours in Palmye Color Chart.
2. For one product, a dry contact transmitter costing 368€, must be added.
3. Up to 5 products, a RS485 Automation interface dry contact transmitter costing 1126€, must be added.

## BACK PILLAR POSITION CHANGE

		A								
		500	550	600	650	700	750	800	850	900
B	400									
	500									
	600									

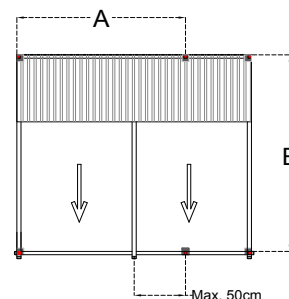
	BACK PILLAR	: Al. 100x100x3mm
	BACK BEAM	: Al. 100x150x3mm
	BACK PILLAR	: St. 100x100x3mm
	BACK BEAM	: St. 100x150x3mm
	BACK PILLAR	: St. 100x100x5mm
	BACK BEAM	: St. 100x150x5mm
	BACK PILLAR	: St. 100x100x5mm
	BACK BEAM	: St. 100x200x5mm

( Construction price difference needs to be added.  
The deflection doesn't evaluate on this chart.)

## EXTENSIONS

Rail	Compact - 75x120mm	€ 206	lm
Beam	Al. 80x130mm	€ 98	lm
Beam	Al. 100x150mm	€ 155	lm
Beam	St. 100x150x3mm	€ 320	lm
Beam	St. 100x150x5mm	€ 388	lm
Beam	St. 100x200x3mm	€ 325	lm
Beam	St. 100x200x5mm	€ 462	lm
Fabric protection cover	Al. - 63x___cm	€ 60	m <sup>2</sup>
Gutter	Special Profile	€ 45	lm
Pillar	Al. 80x80mm	€ 87	lm
Pillar	Al. 100x100mm	€ 173	lm
Pillar	St. 100x100x3mm	€ 217	lm
Pillar	St. 100x100x5mm	€ 388	lm
Pillar	St. 150x150x3mm	€ 439	lm
Pillar	St. 150x150x5mm	€ 615	lm

- \*Max. Al. Front pillar (Al. 80x80mm) height is 280cm
- \*Max. St. 3mm. Front pillar (St. 100x100x3mm) height is 380cm
- \*Max. St. 5mm Front pillar (St. 100x100x5mm) height is 480cm



Middle front pillars can only be moved max. 50 cm towards right or left side.

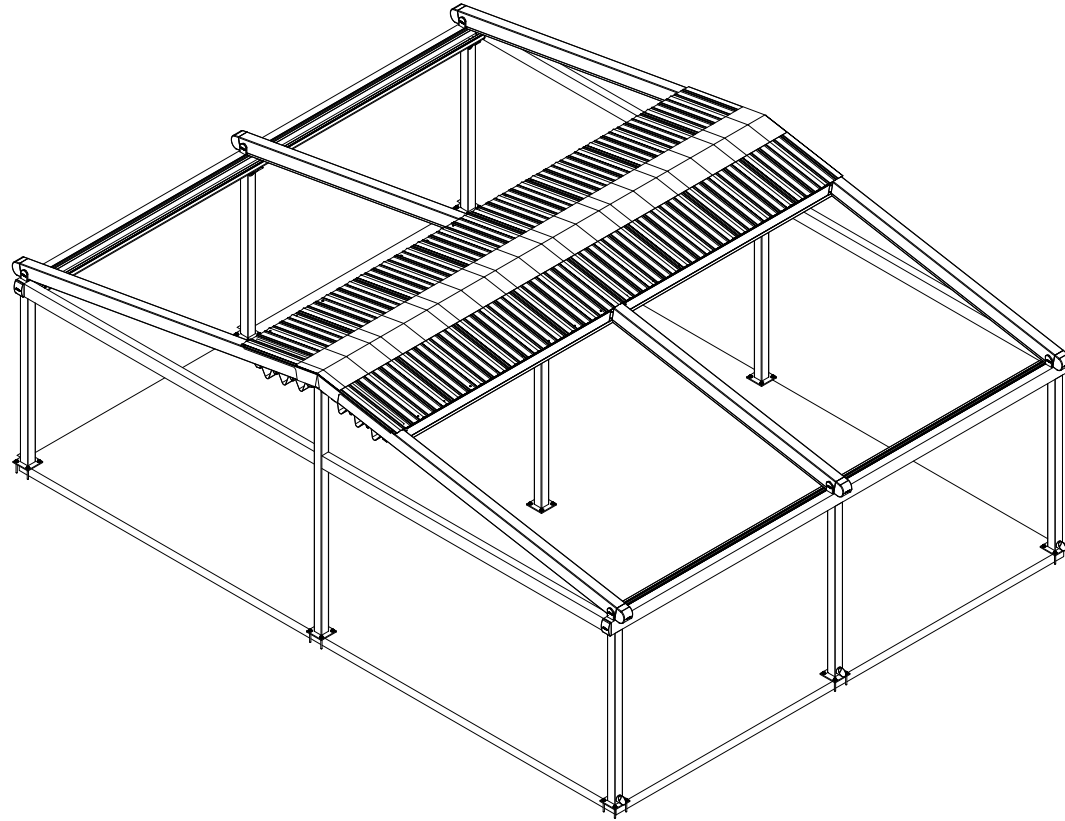
## STANDARD CONSTRUCTION

		WIDTH														
		450	500	550	600	650	700	750	800	850	900	950	1000	1100	1200	1300
PROJECTION	400															
	450															
	500															
	550															
600																

BACK PILLAR : Al. 100x100x3mm  
 BACK BEAM : Al. 100x150x3mm  
 (in price included)

## PRICE DIFFERENCE

		BEAM GROUP			
		Standard	Al. 100x150mm		
Back Beam			St. 100x150x3mm	€ 160	lm
	to		St. 100x150x5mm	€ 238	lm
			St. 100x200x3mm	€ 165	lm
			St. 100x200x5mm	€ 311	lm
		Standard	Al. 80x130mm		
Front Beam			Al. 100x150mm	€ 57	lm
	to		St. 100x150x3mm	€ 234	lm
			St. 100x150x5mm	€ 312	lm
			St. 100x200x3mm	€ 239	lm
			St. 100x200x5mm	€ 385	lm
		PILLAR GROUP			
		Standard	Al. 100x100mm		
Back Pillar			St. 100x100x3mm	€ 111	pcs
	to		St. 100x100x5mm	€ 456	pcs
			St. 150x150x3mm	€ 696	pcs
			St. 150x150x5mm	€ 1.231	pcs
		Standard	Al. 80x80mm		
Front Pillar			Al. 100x100mm	€ 142	pcs
	to		St. 100x100x3mm	€ 296	pcs
			St. 100x100x5mm	€ 641	pcs
			St. 150x150x3mm	€ 881	pcs
			St. 150x150x5mm	€ 1.416	pcs



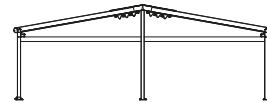
**SILVER TWIN**

## PRODUCT FORMS

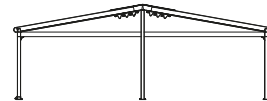
- **Silver Twin** Without Middle Pillar
- 



- **Silver Twin**
- 



- **Silver Compact Twin**
- 



# SILVER

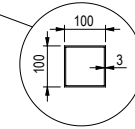
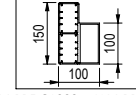
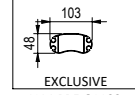
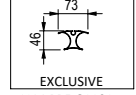
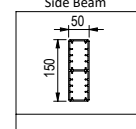
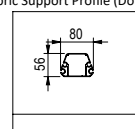
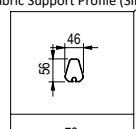
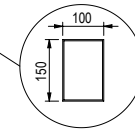
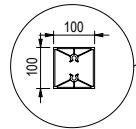
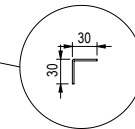
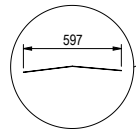
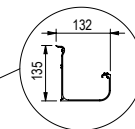
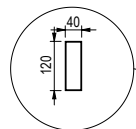
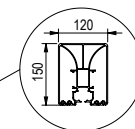
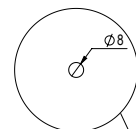
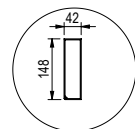
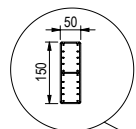
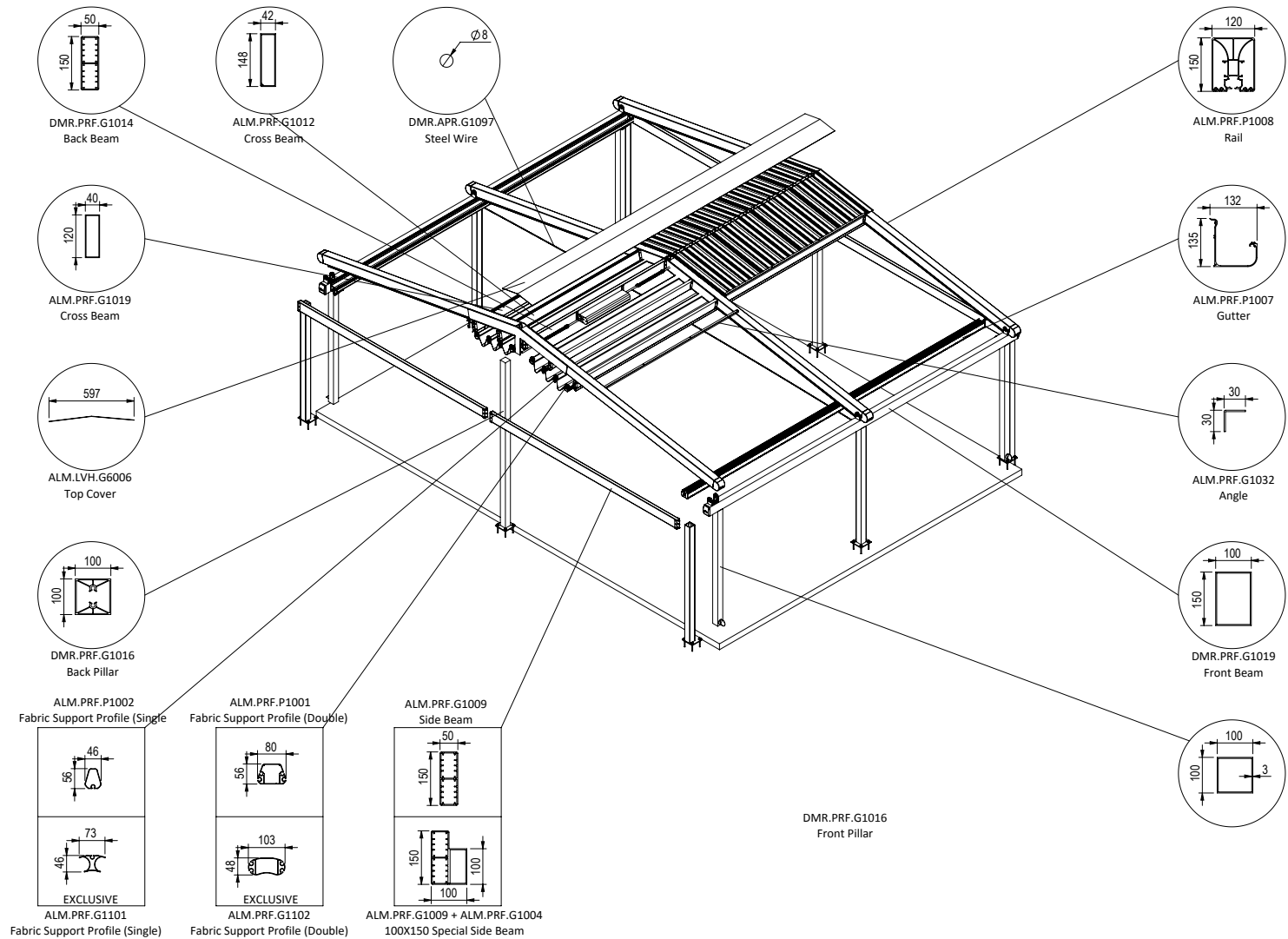
Twin

## Without Middle Pillar



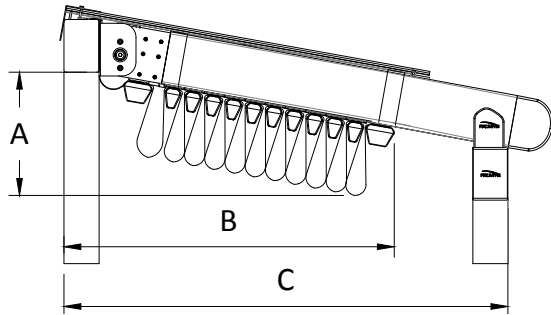
### MAXIMUM DIMENSIONS

	WIDTH	PROJECTION
2 RAILS	450 cm	1000 cm
3 RAILS	900 cm	1000 cm
4 RAILS	1300 cm	1000 cm



# TECHNICAL FEATURES

## COLLECTED FABRIC DIMENSIONS



No of Fabric Support Profiles	Projection cm							
	185	235	284	334	383	433	482	C
4	34							61
5		35						68
6			36					74
7				37				81
8					38			87
9						39		94
10							40	100

\*Calculated according to a slope of 15%

## DRAINAGE CALCULATION

Type	Max. m <sup>2</sup>
Full	39 m <sup>2</sup> /pc
Half	18 m <sup>2</sup> /pc

\* per drainage

There should be at least one drainage, each 8 m length gutter.

## MINIMUM SLOPE CHART

Slope	6,4-7,9%	7,4-8,8%	8,4-9,7%	9,4-10,8%	10,4-12%	11,2-12,7%	12-13,4%	13-14,5%	14-15,7%	15-16,6%	16-17,6%
Rail Center											
	200	225	250	275	300	325	350	375	400	425	450
250	16	19	21	24	26	28	30	33	35	38	40
300	20	23	26	29	31	34	37	40	42	45	48
350	23	27	30	34	37	40	43	46	49	53	56
400	27	31	35	39	42	46	49	53	57	61	64
450	32	36	40	44	48	52	56	60	64	69	73
500	36	41	45	50	54	59	63	68	72	77	81

\*Note: Max. slope can be up to 25%

For back height of system 30 cm should be added to slope value.

## WIND RESISTANCE

PROJECTION (cm)	WIDTH (cm)																	
	450	500	550	600	650	700	750	800	850	900	950	1000	1050	1100	1150	1200	1250	1300
400	11	11	11	11	11	11	11	11	11	11	11	11	11	11	11	11	11	11
500	11	11	11	11	10	10	10	10	10	9	11	11	11	11	11	11	10	10
600	11	10	10	9	9	9	9	9	8	8	10	10	10	10	9	9	9	9
700	11	9	9	8	8	8	8	7	7	7	9	9	9	9	8	8	8	8
800	11	8	8	7	7	7	7	6	6	6	8	8	8	8	7	7	7	7
900	11	7	7	6	6	6	6	6	5	5	7	7	7	7	6	6	6	6
1000	11	6	6	6	5	5	5	5	5	5	6	6	6	6	6	6	5	5

All sides open

PROJECTION (cm)	WIDTH (cm)																	
	450	500	550	600	650	700	750	800	850	900	950	1000	1050	1100	1150	1200	1250	1300
400	11	11	11	11	10	10	9	9	9	8	11	11	11	11	11	11	10	10
500	11	11	11	10	9	9	9	9	9	8	11	11	11	11	10	10	9	9
600	11	11	10	10	9	8	8	8	8	8	11	11	10	10	10	10	9	9
700	11	10	9	9	8	8	8	7	7	7	11	10	9	9	9	9	8	8
800	10	9	8	8	8	7	7	7	7	7	10	9	8	8	8	8	8	8
900	9	8	7	7	7	7	7	6	6	6	9	8	7	7	7	7	7	7
1000	9	7	6	6	6	6	6	6	6	6	9	7	6	6	6	6	6	6

With side enclosure

\*The values are given according to the Beaufort scale.

\*\*Calculated for Products with a front height of 250 cm according to Eurocode EN 1991-1-4 Terrain Category 4.

\*\*\* You can ask for new calculations for special designs.

# SILVER Twin Without Middle Pillar



Projection	Width	2 RAILS					3 RAILS									4 RAILS									FS4	FS9-SPD
		250 cm	300 cm	350 cm	400 cm	450 cm	500 cm	550 cm	600 cm	650 cm	700 cm	750 cm	800 cm	850 cm	900 cm	950 cm	1000 cm	1050 cm	1100 cm	1150 cm	1200 cm	1250 cm	1300 cm			
400 cm		€ 13.551	€ 14.213	€ 15.141	€ 16.087	€ 16.749	€ 19.673	€ 20.317	€ 20.964	€ 22.187	€ 22.731	€ 23.181	€ 23.818	€ 24.461	€ 25.101	€ 28.328	€ 28.961	€ 29.600	€ 30.239	€ 30.879	€ 31.375	€ 32.228	€ 33.218	€ 1.678	€ 201	
450 cm		€ 13.852	€ 14.690	€ 15.607	€ 16.421	€ 17.091	€ 20.155	€ 20.989	€ 21.643	€ 22.706	€ 23.258	€ 23.721	€ 24.546	€ 25.373	€ 25.850	€ 29.023	€ 29.667	€ 30.493	€ 31.142	€ 31.792	€ 32.296	€ 33.166	€ 34.164	€ 1.801	€ 231	
500 cm		€ 14.150	€ 15.163	€ 16.070	€ 16.753	€ 17.430	€ 20.638	€ 21.659	€ 22.320	€ 23.222	€ 23.785	€ 24.260	€ 25.271	€ 26.286	€ 26.597	€ 29.716	€ 30.374	€ 31.385	€ 32.041	€ 32.705	€ 33.216	€ 34.100	€ 35.107	€ 1.924	€ 263	
550 cm		€ 14.676	€ 15.749	€ 16.712	€ 17.455	€ 18.193	€ 21.608	€ 22.689	€ 23.413	€ 24.376	€ 24.993	€ 25.530	€ 26.599	€ 27.678	€ 28.050	€ 31.335	€ 32.055	€ 33.127	€ 33.843	€ 34.569	€ 35.133	€ 36.074	€ 37.142	€ 2.047	€ 293	
600 cm		€ 15.201	€ 16.336	€ 17.355	€ 18.158	€ 18.957	€ 22.577	€ 23.718	€ 24.507	€ 25.528	€ 26.199	€ 26.800	€ 27.929	€ 29.069	€ 29.503	€ 32.954	€ 33.735	€ 34.872	€ 35.646	€ 36.433	€ 37.047	€ 38.049	€ 39.174	€ 2.170	€ 322	
650 cm		€ 15.678	€ 16.654	€ 17.687	€ 18.665	€ 19.476	€ 23.249	€ 24.227	€ 25.202	€ 26.238	€ 26.915	€ 27.527	€ 28.672	€ 29.829	€ 30.267	€ 34.017	€ 34.808	€ 35.783	€ 36.570	€ 37.539	€ 38.164	€ 39.178	€ 40.140	€ 2.294	€ 354	
700 cm		€ 16.157	€ 16.977	€ 18.019	€ 19.175	€ 19.995	€ 23.922	€ 24.740	€ 25.898	€ 26.948	€ 27.633	€ 28.257	€ 29.414	€ 30.592	€ 31.032	€ 35.080	€ 35.885	€ 36.696	€ 37.495	€ 38.649	€ 39.282	€ 40.306	€ 41.107	€ 2.417	€ 384	
750 cm		€ 16.469	€ 17.301	€ 18.355	€ 19.522	€ 20.354	€ 24.420	€ 25.250	€ 26.421	€ 27.481	€ 28.177	€ 28.812	€ 29.980	€ 31.163	€ 31.624	€ 35.796	€ 36.613	€ 37.435	€ 38.245	€ 39.413	€ 40.056	€ 41.092	€ 41.904	€ 2.540	€ 415	
800 cm		€ 16.780	€ 17.623	€ 18.688	€ 19.868	€ 21.264	€ 25.533	€ 26.385	€ 27.611	€ 28.721	€ 29.474	€ 30.164	€ 31.384	€ 32.616	€ 33.141	€ 37.482	€ 38.353	€ 39.229	€ 40.094	€ 41.315	€ 42.010	€ 43.101	€ 43.970	€ 2.663	€ 445	
850 cm		€ 17.100	€ 17.955	€ 19.032	€ 20.223	€ 21.630	€ 26.046	€ 26.912	€ 28.150	€ 29.273	€ 30.034	€ 30.737	€ 31.969	€ 33.212	€ 33.745	€ 38.217	€ 39.100	€ 39.986	€ 40.866	€ 42.098	€ 42.797	€ 43.901	€ 44.780	€ 2.786	€ 475	
900 cm		€ 17.423	€ 18.289	€ 19.376	€ 20.578	€ 21.997	€ 26.561	€ 27.439	€ 28.688	€ 29.823	€ 30.854	€ 31.615	€ 32.907	€ 33.808	€ 34.349	€ 38.950	€ 40.277	€ 41.177	€ 42.075	€ 43.321	€ 44.029	€ 44.700	€ 45.593	€ 2.909	€ 507	
950 cm		€ 17.737	€ 18.615	€ 19.715	€ 20.929	€ 22.358	€ 27.067	€ 27.952	€ 29.213	€ 30.364	€ 31.402	€ 32.175	€ 33.478	€ 34.393	€ 34.946	€ 39.674	€ 41.012	€ 41.922	€ 42.830	€ 44.089	€ 44.807	€ 45.492	€ 46.393	€ 3.033	€ 536	
1000 cm		€ 18.052	€ 18.941	€ 20.051	€ 21.276	€ 22.749	€ 27.622	€ 28.590	€ 29.908	€ 31.116	€ 31.948	€ 32.733	€ 35.962	€ 37.396	€ 38.069	€ 40.818	€ 41.743	€ 42.667	€ 43.584	€ 47.572	€ 48.403	€ 49.707	€ 50.735	€ 3.156	€ 566	
FS3		€ 241	€ 252	€ 275	€ 302	€ 327	€ 352	€ 377	€ 402	€ 427	€ 452	€ 581	€ 606	€ 631	€ 656	€ 683	€ 708	€ 733	€ 758	€ 783	€ 808	€ 833	€ 858			
FS5-A		€ 44	€ 56	€ 65	€ 75	€ 87	€ 96	€ 108	€ 117	€ 129	€ 139	€ 150	€ 160	€ 171	€ 181	€ 192	€ 202	€ 214	€ 223	€ 235	€ 244	€ 256	€ 266			
FS5-E		€ 61	€ 77	€ 90	€ 103	€ 119	€ 132	€ 148	€ 162	€ 178	€ 191	€ 207	€ 220	€ 236	€ 249	€ 265	€ 278	€ 294	€ 307	€ 323	€ 336	€ 352	€ 366			

FS3	Gutter System (For One Side)
FS5-A	Additional Fabric Support Profile (Standard)
FS5-E	Additional Fabric Support Profile (3 Axis)
FS4	Additional Rail - Al.Plus- 120x150mm for both projection side
FS8	Lighting System
FS9-SPD	Price difference between Al. 50x150mm to Al. 100x150mm Special side beam

FS8	
FS8-S	SPOT
FS8-L	LINEAR
FS8-LR (RGB)	LINEAR (RGB)

LED TYPE & MODULE		
2 LED	3 LED	4 LED
€ 136	€ 165	€ 194
€ 194	€ 252	
€ 247	€ 320	

### Notes:

- FS9- Side Beam (Al. 50x150mm) is included in the price for right and left side. For other option which is FS9-S (Al. 100x150mm) Special Side Beam is extra cost. The difference of the cost applies with FS9-SPD option code and for only one side of the pergola.
- FS Flexy Plain/3D or Stam 6002 is included in the price.
- Motor and Remote control is included in the price.
- Palmye Aluminium Coating Catalogue includes the standard colours with no extra cost. For any other type/brand/coulor of paint, price difference and additional delivery duration shall be checked from your customer representative.
- Standard fabric support profile plastic colours are specified in Palmye Aluminium Coating Catalogue.
- The gutter option price is for one side and must be added separately for each side.
- In pergolas including steel front pillars, if gutter option is preferred, external water drainage points will be specified according to the Project and will be priced additionally.

### DEDUCTIONS

Price deduction is applicable only for pillars and beam. Deduction amount shall be consider as 70% of related option price.

## OPTIONS

FS10	Extra pillar (100x100mm Al.)	€ 548	pcs
FS10-ST3	Extra pillar (100x100x3mm St.)	€ 525	pcs
FS10-ST5	Extra pillar (100x100x5mm St.)	€ 765	pcs
FS11	Deco ceiling cover	€ 72	m <sup>2</sup>
FS15	Side beam pillar (50x100mm - Al)	€ 284	pcs
FS15-B	Side beam pillar (100x100mm - Al)	€ 548	pcs
FS19	Fix louver	€ 75	lm
FS23	External Square Downpipe	€ 335	pcs
FS24	W96 Ceiling Cover	€ 84	m <sup>2</sup>
FS26	Exclusive fabric difference (up to 800cm width)	€ 49	m <sup>2</sup>
FS29-1	Sun Sensor (SUNIS) (for single motor)	€ 621	pcs
FS29-1S	Sun Sensor (SUNIS) (for synchronized motor)	€ 990	pcs
FS29-2	Wind Sensor (EOLIS RTS) (for single motor)	€ 293	pcs
FS29-2S	Wind Sensor (EOLIS RTS) (for synchronized motor)	€ 658	pcs
FS29-3	Sun and Wind Sensor (SOLIRIS RTS) (for single motor)	€ 331	pcs
FS29-3S	Sun and Wind Sensor (SOLIRIS RTS) (for synchronized motor)	€ 696	pcs
FS29-4 <sup>2/3</sup>	Rain Sensor (ONDEIS) (for single motor)	€ 574	pcs
FS29-4S <sup>2/3</sup>	Rain Sensor (ONDEIS) (for synchronized motor)	€ 938	pcs
FS30	CONNEXOON	€ 525	pcs

### Notes:

1. Fabric support profiles can be painted in the same color as the general construction. No fee is paid for this process. However, the plastic color should be specified from our standard plastic colours in Palmiye Color Chart.
2. For one product, a dry contact transmitter costing 368€, must be added.
3. Up to 5 products, a RS485 Automation interface dry contact transmitter costing 1126€, must be added.

## EXTENSIONS

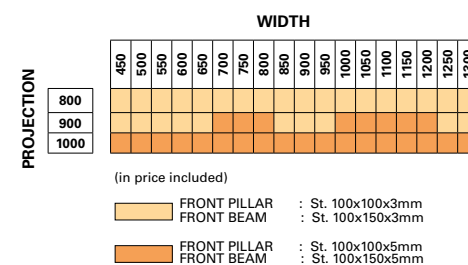
Rail	Plus - 120x150mm	€ 337	lm
Beam	Al. 100x150mm	€ 155	lm
Beam	St. 100x150x3mm	€ 320	lm
Beam	St. 100x150x5mm	€ 388	lm
Beam	St. 100x200x3mm	€ 325	lm
Beam	St. 100x200x5mm	€ 462	lm
Fabric protection cover	Al. - 63x___cm	€ 60	m <sup>2</sup>
Gutter	Special Profile	€ 45	lm
Pillar	Al. 100x100mm	€ 173	lm
Pillar	St. 100x100x3mm	€ 217	lm
Pillar	St. 100x100x5mm	€ 388	lm
Pillar	St. 150x150x3mm	€ 439	lm
Pillar	St. 150x150x5mm	€ 615	lm

\*Max. Al. Front pillar (Al. 100x100mm) height is 280cm

\*Max. St. 3mm. Front pillar (St. 100x100x3mm) height is 380cm

\*Max. St. 5mm Front pillar (St. 100x100x5mm) height is 480cm

## STANDARD CONSTRUCTION



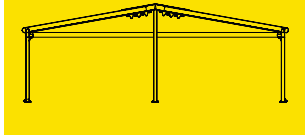
## PRICE DIFFERENCE

		BEAM GROUP	
		Standard	St. 100x150x3mm
Front Beam			
	to	St. 100x150x5mm	€ 78 lm
		St. 100x200x3mm	€ 4 lm
		St. 100x200x5mm	€ 150 lm

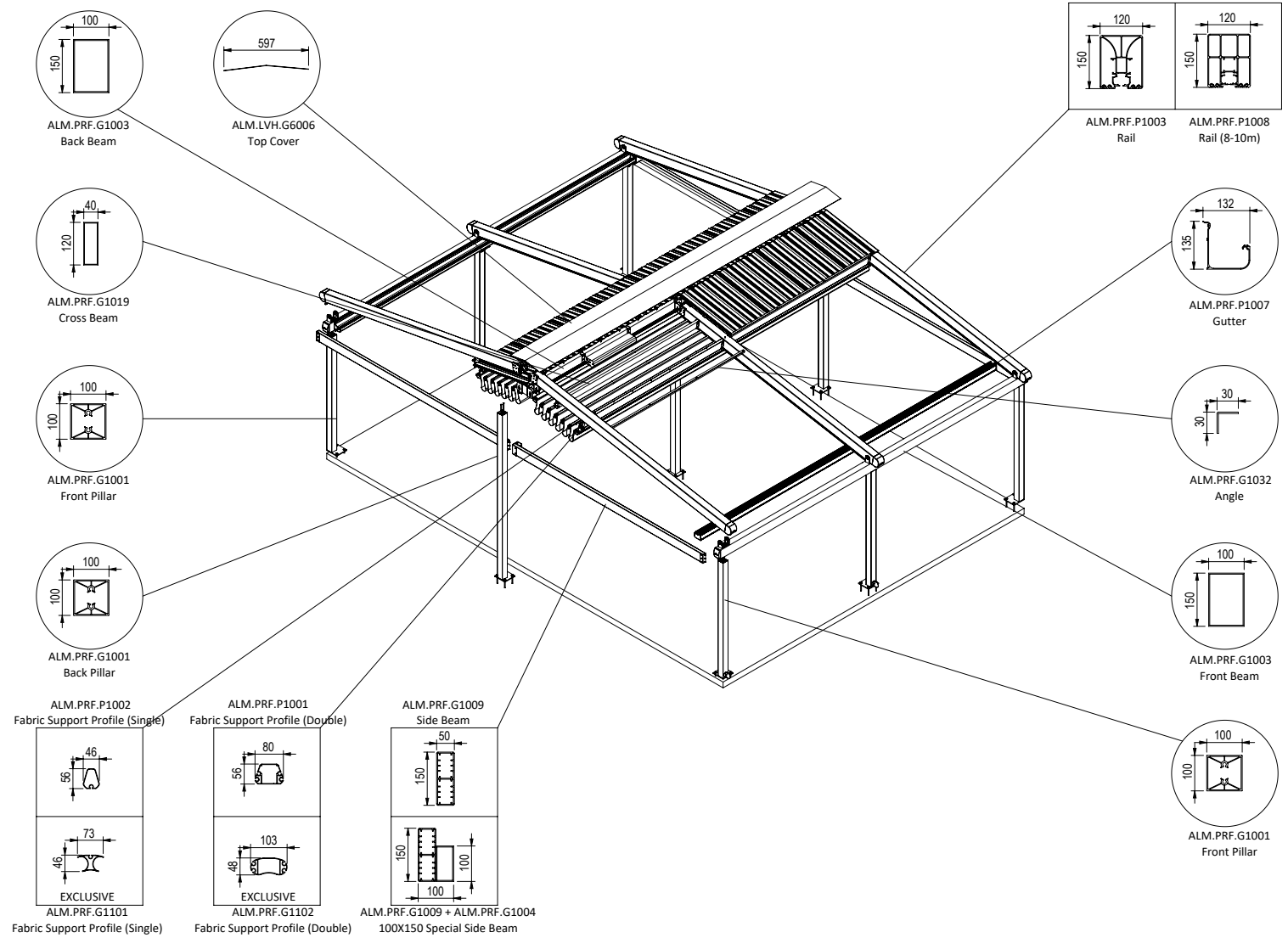
		PILLAR GROUP	
		Standard	St. 100x100x3mm
Front Pillar		St. 100x100x5mm	€ 346 pcs
	to	St. 150x150x3mm	€ 587 pcs
		St. 150x150x5mm	€ 1.121 pcs

# SILVER Twin



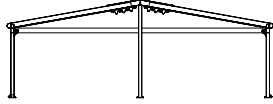
## MAXIMUM DIMENSIONS

	WIDTH	PROJECTION
2 RAILS	450 cm	2000 cm
3 RAILS	900 cm	2000 cm
4 RAILS	1300 cm	1400 cm





# SILVER Twin



Projection	2 RAILS					3 RAILS									4 RAILS									FS4	FS9-SPD
	250 cm	300 cm	350 cm	400 cm	450 cm	500 cm	550 cm	600 cm	650 cm	700 cm	750 cm	800 cm	850 cm	900 cm	950 cm	1000 cm	1050 cm	1100 cm	1150 cm	1200 cm	1250 cm	1300 cm			
400 cm	€ 13.137	€ 13.779	€ 14.678	€ 15.595	€ 16.237	€ 19.071	€ 19.696	€ 20.323	€ 21.509	€ 22.036	€ 22.472	€ 23.090	€ 23.713	€ 24.334	€ 27.462	€ 28.075	€ 28.695	€ 29.314	€ 29.935	€ 30.416	€ 31.243	€ 32.202	€ 1.678	€ 201	
450 cm	€ 13.429	€ 14.241	€ 15.129	€ 15.919	€ 16.568	€ 19.539	€ 20.347	€ 20.981	€ 22.012	€ 22.547	€ 22.996	€ 23.795	€ 24.597	€ 25.060	€ 28.135	€ 28.760	€ 29.561	€ 30.189	€ 30.820	€ 31.308	€ 32.152	€ 33.119	€ 1.801	€ 231	
500 cm	€ 13.717	€ 14.699	€ 15.578	€ 16.241	€ 16.897	€ 20.006	€ 20.996	€ 21.638	€ 22.512	€ 23.058	€ 23.518	€ 24.498	€ 25.482	€ 25.784	€ 28.807	€ 29.445	€ 30.425	€ 31.061	€ 31.705	€ 32.200	€ 33.057	€ 34.034	€ 1.924	€ 263	
550 cm	€ 14.228	€ 15.268	€ 16.201	€ 16.922	€ 17.636	€ 20.948	€ 21.995	€ 22.697	€ 23.630	€ 24.229	€ 24.749	€ 25.785	€ 26.831	€ 27.192	€ 30.376	€ 31.074	€ 32.114	€ 32.808	€ 33.512	€ 34.058	€ 34.971	€ 36.006	€ 2.047	€ 293	
600 cm	€ 14.736	€ 15.836	€ 16.824	€ 17.602	€ 18.377	€ 21.887	€ 22.992	€ 23.757	€ 24.747	€ 25.398	€ 25.980	€ 27.074	€ 28.180	€ 28.601	€ 31.946	€ 32.704	€ 33.806	€ 34.556	€ 35.319	€ 35.914	€ 36.885	€ 37.976	€ 2.170	€ 322	
650 cm	€ 15.199	€ 16.145	€ 17.146	€ 18.095	€ 18.880	€ 22.538	€ 23.486	€ 24.431	€ 25.436	€ 26.092	€ 26.685	€ 27.795	€ 28.917	€ 29.342	€ 32.977	€ 33.744	€ 34.689	€ 35.452	€ 36.391	€ 36.997	€ 37.979	€ 38.913	€ 2.294	€ 354	
700 cm	€ 15.662	€ 16.458	€ 17.468	€ 18.588	€ 19.384	€ 23.191	€ 23.984	€ 25.106	€ 26.124	€ 26.788	€ 27.392	€ 28.515	€ 29.656	€ 30.083	€ 34.008	€ 34.788	€ 35.574	€ 36.348	€ 37.467	€ 38.080	€ 39.074	€ 39.850	€ 2.417	€ 384	
750 cm	€ 15.966	€ 16.772	€ 17.793	€ 18.925	€ 19.731	€ 23.673	€ 24.478	€ 25.613	€ 26.640	€ 27.316	€ 27.931	€ 29.063	€ 30.210	€ 30.657	€ 34.702	€ 35.493	€ 36.290	€ 37.076	€ 38.208	€ 38.831	€ 39.853	€ 40.623	€ 2.540	€ 415	
800 cm	€ 16.267	€ 17.084	€ 18.117	€ 19.260	€ 20.078	€ 24.156	€ 24.972	€ 26.118	€ 27.153	€ 27.841	€ 28.468	€ 29.609	€ 30.762	€ 31.230	€ 35.396	€ 36.198	€ 37.007	€ 37.804	€ 38.945	€ 39.577	€ 40.593	€ 41.394	€ 2.663	€ 445	
850 cm	€ 16.577	€ 17.406	€ 18.450	€ 19.604	€ 20.433	€ 24.654	€ 25.482	€ 26.640	€ 27.688	€ 28.384	€ 29.024	€ 30.176	€ 31.340	€ 31.815	€ 36.109	€ 36.922	€ 37.740	€ 38.552	€ 39.704	€ 40.340	€ 41.369	€ 42.179	€ 2.786	€ 475	
900 cm	€ 16.890	€ 17.730	€ 18.783	€ 19.948	€ 20.788	€ 25.153	€ 25.993	€ 27.162	€ 28.221	€ 28.927	€ 29.578	€ 30.741	€ 31.918	€ 32.401	€ 36.820	€ 37.646	€ 38.473	€ 39.298	€ 40.462	€ 41.106	€ 42.144	€ 42.967	€ 2.909	€ 507	
950 cm	€ 17.195	€ 18.046	€ 19.112	€ 20.289	€ 21.138	€ 25.643	€ 26.491	€ 27.671	€ 28.745	€ 29.458	€ 30.120	€ 31.295	€ 32.485	€ 32.979	€ 37.521	€ 38.359	€ 39.195	€ 40.030	€ 41.207	€ 41.859	€ 42.911	€ 43.743	€ 3.033	€ 536	
1000 cm	€ 17.500	€ 18.362	€ 19.438	€ 20.626	€ 21.486	€ 26.130	€ 26.987	€ 28.180	€ 29.267	€ 29.987	€ 30.661	€ 33.703	€ 35.005	€ 36.992	€ 38.219	€ 39.068	€ 39.918	€ 40.761	€ 44.583	€ 45.346	€ 46.503	€ 49.350	€ 3.156	€ 566	
1050 cm	€ 18.035	€ 19.114	€ 20.246	€ 21.492	€ 22.409	€ 27.269	€ 28.356	€ 29.437	€ 30.754	€ 31.529	€ 32.258	€ 35.363	€ 36.722	€ 38.940	€ 40.136	€ 41.068	€ 42.146	€ 43.049	€ 46.931	€ 47.739	€ 48.954	€ 52.029	€ 3.292	€ 595	
1100 cm	€ 18.568	€ 19.866	€ 21.054	€ 22.356	€ 23.329	€ 28.410	€ 29.724	€ 30.696	€ 32.242	€ 33.069	€ 33.858	€ 37.022	€ 38.487	€ 40.887	€ 42.052	€ 43.068	€ 44.376	€ 45.339	€ 49.277	€ 50.133	€ 53.245	€ 54.708	€ 3.431	€ 626	
1150 cm	€ 18.893	€ 20.203	€ 21.404	€ 22.715	€ 23.699	€ 28.919	€ 30.247	€ 31.231	€ 32.786	€ 33.622	€ 34.423	€ 37.598	€ 40.352	€ 41.486	€ 42.801	€ 43.801	€ 45.122	€ 46.097	€ 50.046	€ 50.910	€ 54.035	€ 55.509	€ 3.567	€ 654	
1200 cm	€ 19.221	€ 20.542	€ 21.756	€ 23.077	€ 24.070	€ 29.430	€ 30.773	€ 31.768	€ 33.330	€ 35.841	€ 36.750	€ 38.176	€ 40.941	€ 42.088	€ 45.803	€ 46.885	€ 48.314	€ 49.396	€ 52.529	€ 53.466	€ 54.826	€ 56.311	€ 3.704	€ 685	
1250 cm	€ 19.541	€ 20.875	€ 22.098	€ 23.428	€ 24.437	€ 29.937	€ 31.291	€ 32.298	€ 33.873	€ 36.319	€ 37.232	€ 38.668	€ 41.435	€ 42.597	€ 46.523	€ 47.620	€ 48.970	€ 50.150	€ 53.296	€ 54.239	€ 55.612	€ 57.108	€ 3.843	€ 715	
1300 cm	€ 19.857	€ 21.206	€ 22.437	€ 23.778	€ 24.801	€ 30.440	€ 31.806	€ 32.825	€ 34.412	€ 36.792	€ 37.713	€ 40.419	€ 41.927	€ 43.104	€ 47.241	€ 48.352	€ 49.625	€ 50.904	€ 54.059	€ 55.011	€ 56.396	€ 57.903	€ 3.979	€ 746	
1350 cm	€ 20.180	€ 21.535	€ 22.777	€ 24.134	€ 25.164	€ 30.947	€ 32.320	€ 33.355	€ 34.951	€ 37.336	€ 38.273	€ 40.988	€ 42.515	€ 43.693	€ 47.960	€ 49.081	€ 50.450	€ 51.654	€ 54.824	€ 55.782	€ 57.179	€ 58.697	€ 4.116	€ 776	
1400 cm	€ 20.502	€ 21.866	€ 23.120	€ 24.489	€ 25.527	€ 32.730	€ 34.209	€ 35.353	€ 37.058	€ 37.881	€ 38.830	€ 41.559	€ 43.102	€ 44.284	€ 48.680	€ 49.809	€ 51.277	€ 54.052	€ 55.589	€ 56.553	€ 57.965	€ 59.490	€ 4.252	€ 807	
1450 cm	€ 21.913	€ 23.288	€ 24.553	€ 25.930	€ 26.979	€ 34.324	€ 35.814	€ 36.968	€ 38.688	€ 39.518	€ 40.477	€ 43.215	€ 44.767	€ 45.965	€ 50.488	€ 51.628	€ 53.107	€ 55.895	€ 57.442	€ 58.416	€ 59.836	€ 61.391	€ 1.639	€ 839	
1500 cm	€ 22.233	€ 23.619	€ 24.893	€ 26.280	€ 27.340	€ 34.827	€ 36.331	€ 37.492	€ 39.227	€ 40.064	€ 42.227	€ 43.782	€ 45.342	€ 47.178	€ 51.206	€ 53.876	€ 55.431	€ 56.647	€ 58.201	€ 59.187	€ 60.616	€ 62.181	€ 4.528	€ 1.670	
1550 cm	€ 22.766	€ 24.210	€ 25.542	€ 26.987	€ 28.104	€ 35.798	€ 37.362	€ 38.580	€ 40.374	€ 41.261	€ 43.484	€ 45.097	€ 46.715	€ 48.613	€ 52.813	€ 55.541	€ 57.156	€ 58.430	€ 60.044	€ 61.080	€ 62.503	€ 64.066	€ 4.664	€ 1.700	
1600 cm	€ 23.301	€ 24.804	€ 26.190	€ 27.692	€ 28.869	€ 36.767	€ 38.392	€ 39.669	€ 41.519	€ 43.591	€ 44.741	€ 46.412	€ 48.086	€ 50.050	€ 55.874	€ 57.206	€ 58.880	€ 60.212	€ 61.887	€ 62.972	€ 64.301	€ 65.816	€ 4.803	€ 1.731	
1650 cm	€ 23.836	€ 25.397	€ 26.837	€ 28.397	€ 29.634	€ 37.737	€ 39.423	€ 40.758	€ 42.664	€ 44.788	€ 45.999	€ 47.727	€ 49.458	€ 51.486	€ 57.481	€ 58.871	€ 60.605	€ 61.995	€ 63.730	€ 64.715	€ 66.500	€ 68.335	€ 4.939	€ 1.761	
1700 cm	€ 24.371	€ 25.990	€ 27.484	€ 29.103	€ 30.399	€ 38.706	€ 40.454	€ 41.847	€ 44.876	€ 45.985	€ 47.256	€ 49.042	€ 51.435	€ 52.923	€ 59.088	€ 60.536	€ 62.330	€ 63.778	€ 65.572	€ 66.557	€ 68.442	€ 70.327	€ 5.076	€ 1.792	
1750 cm	€ 24.906	€ 26.583	€ 28.132	€ 29.808	€ 31.164	€ 39.675	€ 41.485	€ 42.936	€ 46.021	€ 47.183	€ 48.513	€ 50.357	€ 52.806	€ 54.360	€ 60.695	€ 62.201	€ 64.055	€ 65.561	€ 67.516	€ 68.501	€ 70.486	€ 72.471	€ 5.212	€ 1.822	
1800 cm	€ 26.133	€ 27.716	€ 28.779	€ 30.513	€ 31.929	€ 40.644	€ 44.065	€ 46.623	€ 48.807	€ 50.067	€ 51.503	€ 53.452	€ 56.002	€ 57.668	€ 64.567	€ 66.177	€ 68.137	€ 69.746	€ 71.701	€ 72.686	€ 74.695	€ 76.704	€ 5.351	€ 1.853	
1850 cm	€ 26.668	€ 27.769	€ 29.426	€ 31.219	€ 32.695	€ 41.613	€ 45.096	€ 47.712	€ 49.952	€ 51.264	€ 52.760	€ 54.767	€ 57.374	€ 59.104	€ 66.174	€ 67.842	€ 69.861	€ 71.880	€ 73.835	€ 75.794	€ 77.753	€ 79.712	€ 5.488	€ 1.883	
1900 cm	€ 27.203	€ 28.362	€ 30.074	€ 31.924	€ 33.460	€ 42.582	€ 46.126	€ 48.800	€ 51.097	€ 52.462	€ 54.017	€ 56.082	€ 58.745	€ 60.541	€ 67.811	€ 69.507	€ 71.586	€ 73.541	€ 75.500	€ 77.459	€ 79.418	€ 81.377	€ 5.624	€ 1.913	
1950 cm	€ 27.738	€ 28.955	€ 30.721	€ 32.629	€ 34.225	€ 43.551	€ 47.157	€ 49.889	€ 52.242	€ 53.659	€ 55.275	€ 57.397	€ 60.116	€ 61.978	€ 69.388	€ 71.172	€ 73.177	€ 75.177	€ 77.177	€ 79.177	€ 81.177	€ 83.177	€ 5.763	€ 1.944	
2000 cm	€ 28.273	€ 29.548	€ 31.368	€ 33.334	€ 34.990	€ 46.023	€ 49.127	€ 50.978	€ 53.387	€ 54.856	€ 56.532	€ 58.712	€ 61.487	€ 63.415	€ 70.995	€ 72.837	€ 74.837	€ 76.837	€ 78.837	€ 80.837	€ 82.837	€ 84.837	€ 5.900	€ 1.974	

Side beam pillar is included in the price

FS3	Gutter System (For One Side)
FS5-A	Additional Fabric Support Profile (Standard)
FS5-E	Additional Fabric Support Profile (3 Axis)
FS4	Additional Rail - Al.Plus- 120x150mm for both projection side
FS8	Lighting System
FS9-SPD	Price difference between Al. 50x150mm to Al. 100x150mm Special side beam

FS8	
FS8-S	SPOT
FS8-L	LINEAR
FS8-LR (RGB)	LINEAR (RGB)

LED TYPE & MODULE		
2 LED	3 LED	4 LED
€ 136	€ 165	€ 194
€ 194	€ 252	
€ 247	€ 320	

- Notes:**
- FS9- Side Beam (Al. 50x150mm) is included in the price for right and left side. For other option which is FS9-S (Al. 100x150mm) Special Side Beam is extra cost. The difference of the cost applies with FS9-SPD option code and for only one side of the pergola.
  - If the projection is bigger than 700cm, a side beam pillar needs to be added up to rail (FS15 or FS15-B), FS15 Side Beam Pillar (Al. 50x100mm) included in the product price. FS15-B Side beam (Al. 100x100mm) included in FS9-SPD option.
  - FS Flexy Plain/3D or Stam 6002 is included in the price.
  - Motor and Remote control is included in the price.
  - Palmye Aluminium Coating Catalogue includes the standard colours with no extra cost. For any other type/brand/color of paint, price difference and additional delivery duration shall be checked from your customer representative.
  - Standard fabric support profile plastic colours are specified in Palmye Aluminium Coating Catalogue.
  - In pergolas including steel front pillars, if gutter option is preferred, external water drainage points will be specified according to the Project and will be priced additionally.

**DEDUCTIONS**  
Price deduction is applicable only for pillars and beam. Deduction amount shall be consider as 70% of related option price.

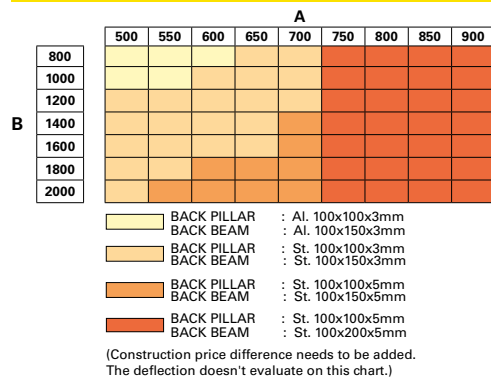
## OPTIONS

FS10	Extra pillar (100x100mm Al.)	€ 548	pcs
FS10-ST3	Extra pillar (100x100x3mm St.)	€ 525	pcs
FS10-ST5	Extra pillar (100x100x5mm St.)	€ 765	pcs
FS11	Deco ceiling cover	€ 72	m <sup>2</sup>
FS15	Side beam pillar (50x100mm - Al)	€ 284	pcs
FS15-B	Side beam pillar (100x100mm - Al)	€ 548	pcs
FS19	Fix louver	€ 75	lm
FS23	External Square Downpipe	€ 335	pcs
FS24	W96 Ceiling Cover	€ 84	m <sup>2</sup>
FS26	Exclusive fabric difference (up to 800cm width)	€ 49	m <sup>2</sup>
FS29-1	Sun Sensor (SUNIS) (for single motor)	€ 621	pcs
FS29-1S	Sun Sensor (SUNIS) (for synchronized motor)	€ 990	pcs
FS29-2	Wind Sensor (EOLIS RTS) (for single motor)	€ 293	vpcs
FS29-2S	Wind Sensor (EOLIS RTS) (for synchronized motor)	€ 658	pcs
FS29-3	Sun and Wind Sensor (SOLIRIS RTS) (for single motor)	€ 331	pcs
FS29-3S	Sun and Wind Sensor (SOLIRIS RTS) (for synchronized motor)	€ 696	pcs
FS29-4 <sup>2/3</sup>	Rain Sensor (ONDEIS) (for single motor)	€ 574	pcs
FS29-4S <sup>2/3</sup>	Rain Sensor (ONDEIS) (for synchronized motor)	€ 938	pcs
FS30	CONNEXOON	€ 525	pcs

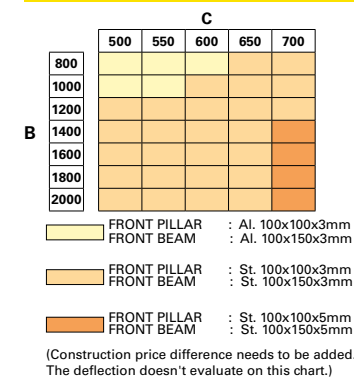
### Notes:

1. Fabric support profiles can be painted in the same color as the general construction. No fee is paid for this process. However, the plastic color should be specified from our standard plastic colours in Palmiye Color Chart.
2. For one product, a dry contact transmitter costing 368€, must be added.
3. Up to 5 products, a RS485 Automation interface dry contact transmitter costing 1126€, must be added.

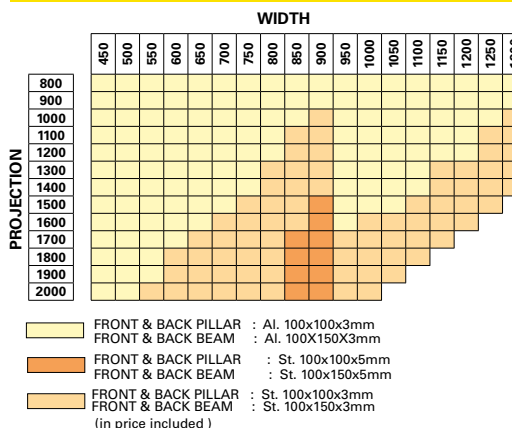
## BACK PILLAR POSITION CHANGE



## FRONT PILLAR POSITION CHANGE



## STANDARD CONSTRUCTION



## PRICE DIFFERENCE

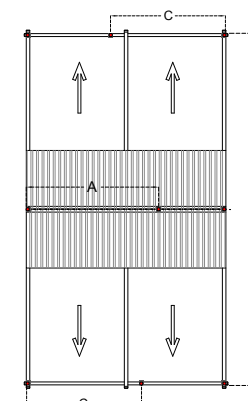
		BEAM GROUP	
		Standard	Al. 100x150mm
Beam	to	St. 100x150x3mm	€ 160 lm
		St. 100x150x5mm	€ 238 lm
		St. 100x200x3mm	€ 165 lm
		St. 100x200x5mm	€ 311 lm
		PILLAR GROUP	
		Standard	Al. 100x100mm
Pillar	to	St. 100x100x3mm	€ 111 pcs
		St. 100x100x5mm	€ 456 pcs
		St. 150x150x3mm	€ 696 pcs
		St. 150x150x5mm	€ 1.231 pcs

## EXTENSIONS

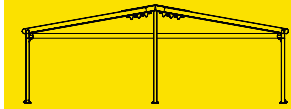
### Extensions of Standard Profiles

Rail	Plus - 120x150mm	€ 328	lm
Beam	Al. 100x150mm	€ 151	lm
Beam	St. 100x150x3mm	€ 310	lm
Beam	St. 100x150x5mm	€ 377	lm
Beam	St. 100x200x3mm	€ 315	lm
Beam	St. 100x200x5mm	€ 449	lm
Fabric protection cover	Al. - 63x__cm	€ 59	m <sup>2</sup>
Gutter	Special Profile	€ 44	lm
Pillar	Al. 100x100mm	€ 168	lm
Pillar	St. 100x100x3mm	€ 211	lm
Pillar	St. 100x100x5mm	€ 377	lm
Pillar	St. 150x150x3mm	€ 427	lm
Pillar	St. 150x150x5mm	€ 598	lm

- \*Max. Al. Front pillar (Al. 100x100mm) height is 280cm
- \*Max. St. 3mm. Front pillar (St. 100x100x3mm) height is 380cm
- \*Max. St. 5mm Front pillar (St. 100x100x5mm) height is 480cm

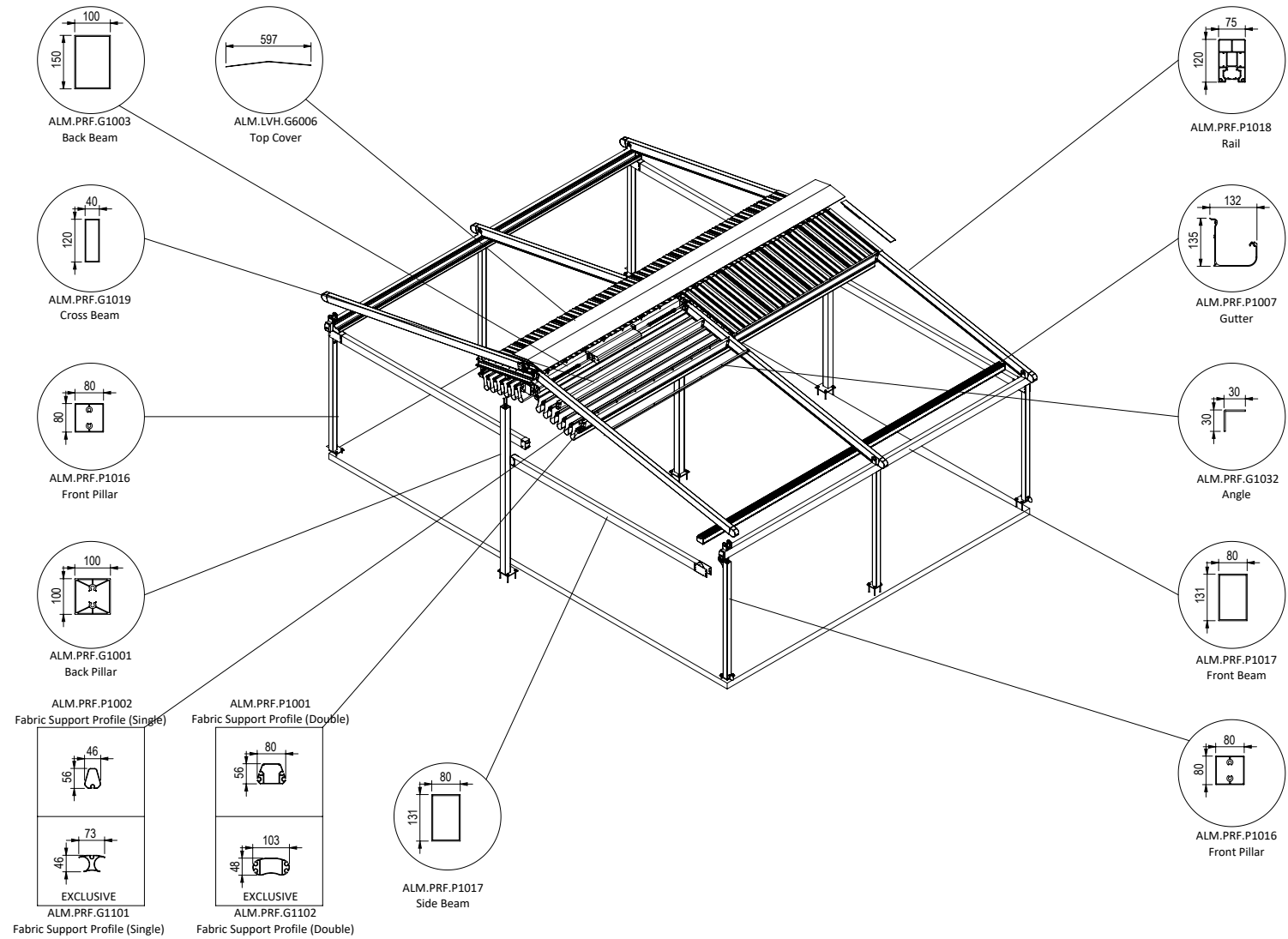


# SILVER Compact Twin



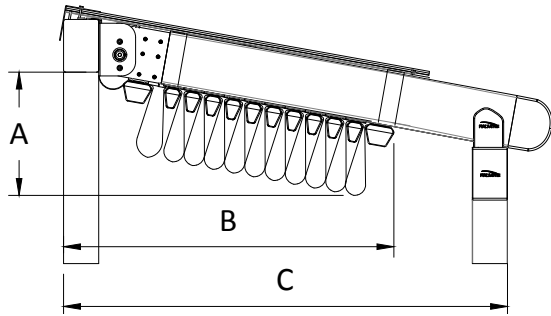
## MAXIMUM DIMENSIONS

	WIDTH	PROJECTION
2 RAILS	450 cm	1200 cm
3 RAILS	900 cm	1200 cm
4 RAILS	1300 cm	1200 cm



# TECHNICAL FEATURES

## COLLECTED FABRIC DIMENSIONS



Projection cm	
	185 235 284 334 383 433 482 532 581 <b>C</b>
<b>No of Fabric Support Profiles</b>	
4	34 <b>61</b>
5	35 <b>68</b>
6	36 <b>74</b>
7	37 <b>81</b>
8	38 <b>87</b>
9	39 <b>94</b>
10	40 <b>100</b>
11	41 <b>107</b>
13	43 <b>120</b>

\*Calculated according to a slope of 15%

## DRAINAGE CALCULATION

Type	Max. m <sup>2</sup>
Compact	30 m <sup>2</sup> /pc

\* per drainage

There should be at least one drainage, each 8 m length gutter.

## MINIMUM SLOPE CHART

Slope	6,4-7,9%	7,4-8,8%	8,4-9,7%	9,4-10,8%	10,4-12%	11,2-12,7%	12-13,4%	13-14,5%	14-15,7%	15-16,6%	16-17,6%
-------	----------	----------	----------	-----------	----------	------------	----------	----------	----------	----------	----------

Rail Center

		200	225	250	275	300	325	350	375	400	425	450
Projection	250	11	14	16	19	21	23	25	28	30	33	35
	300	15	18	21	24	26	29	32	35	37	40	43
	350	18	22	25	29	32	35	38	41	44	48	51
	400	22	26	30	34	37	41	44	48	52	56	59
	450	27	31	35	39	43	47	51	55	59	64	68
	500	31	36	40	45	49	54	58	63	67	72	76
	550	35	40	45	50	55	60	65	70	75	80	85
	600	39	45	50	56	61	67	72	78	83	89	94

\*Note: Max. slope can be up to 25%

For back height of system 25 cm should be added to slope value.

## WIND RESISTANCE

PROJECTION (cm)	WIDTH (cm)																	
	450	500	550	600	650	700	750	800	850	900	950	1000	1050	1100	1150	1200	1250	1300
800	11	10	10	10	10	10	9	9	9	9	10	10	10	10	10	10	10	10
900	10	9	9	9	9	9	9	9	8	8	9	9	9	9	9	9	9	9
1000	10	9	9	9	9	8	8	8	8	8	9	9	9	9	9	9	9	9
1100	9	8	8	8	8	8	8	7	7	7	8	8	8	8	8	8	8	8
1200	8	8	8	7	7	7	7	7	7	6	8	8	8	8	7	7	7	7

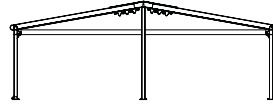
PROJECTION (cm)	WIDTH (cm)																	
	450	500	550	600	650	700	750	800	850	900	950	1000	1050	1100	1150	1200	1250	1300
800	8	8	8	7	7	7	6	6	6	6	8	8	8	8	7	7	7	7
900	8	7	7	7	7	7	6	6	6	6	8	7	7	7	7	7	7	7
1000	7	7	7	7	7	7	6	6	6	6	7	7	7	7	7	7	7	7
1100	7	7	6	6	6	6	6	6	6	6	7	7	6	6	6	6	6	6
1200	6	6	6	6	6	6	6	6	5	5	6	6	6	6	6	6	6	6

\*The values are given according to the Beaufort scale.

\*\*Calculated for Products with a front height of 250 cm according to Eurocode EN 1991-1-4 Terrain Category 4.

\*\*\* You can ask for new calculations for special designs.

# SILVER Compact Twin



Projection	Width	2 RAILS					3 RAILS									4 RAILS							FS4 FS10-C	
		250 cm	300 cm	350 cm	400 cm	450 cm	500 cm	550 cm	600 cm	650 cm	700 cm	750 cm	800 cm	850 cm	900 cm	950 cm	1000 cm	1050 cm	1100 cm	1150 cm	1200 cm	1250 cm		1300 cm
400 cm		€ 10.645	€ 11.161	€ 11.885	€ 12.624	€ 13.139	€ 15.429	€ 15.930	€ 16.431	€ 17.384	€ 17.805	€ 18.153	€ 18.645	€ 19.142	€ 19.638	€ 22.154	€ 22.642	€ 23.134	€ 23.627	€ 24.120	€ 24.500	€ 25.159	€ 25.922	€ 1.731
450 cm		€ 10.869	€ 11.524	€ 12.239	€ 12.873	€ 13.395	€ 15.792	€ 16.439	€ 16.946	€ 17.773	€ 18.199	€ 18.557	€ 19.195	€ 19.836	€ 20.203	€ 22.676	€ 23.172	€ 23.810	€ 24.309	€ 24.809	€ 25.194	€ 25.864	€ 26.635	€ 1.830
500 cm		€ 11.092	€ 11.883	€ 12.589	€ 13.120	€ 13.648	€ 16.153	€ 16.948	€ 17.460	€ 18.158	€ 18.959	€ 19.743	€ 20.530	€ 20.766		€ 23.194	€ 23.699	€ 24.481	€ 24.985	€ 25.495	€ 25.886	€ 26.566	€ 27.342	€ 1.929
550 cm		€ 11.494	€ 12.331	€ 13.081	€ 13.657	€ 14.229	€ 16.897	€ 17.735	€ 18.297	€ 19.043	€ 19.518	€ 19.932	€ 20.760	€ 21.595	€ 21.879	€ 24.433	€ 24.987	€ 25.815	€ 26.365	€ 26.921	€ 27.351	€ 28.077	€ 28.898	€ 2.028
600 cm		€ 11.893	€ 12.778	€ 13.569	€ 14.192	€ 14.813	€ 17.636	€ 18.521	€ 19.133	€ 19.922	€ 20.441	€ 20.903	€ 21.776	€ 22.657	€ 22.989	€ 25.669	€ 26.270	€ 27.147	€ 27.742	€ 28.345	€ 28.814	€ 29.583	€ 30.449	€ 2.127
650 cm		€ 12.254	€ 13.013	€ 13.816	€ 14.576	€ 15.204	€ 18.143	€ 18.901	€ 19.655	€ 20.457	€ 20.977	€ 21.449	€ 22.334	€ 23.228	€ 23.561	€ 26.472	€ 27.080	€ 27.828	€ 28.433	€ 29.177	€ 29.652	€ 30.431	€ 31.170	€ 2.224
700 cm		€ 12.615	€ 13.251	€ 14.061	€ 14.957	€ 15.593	€ 18.650	€ 19.282	€ 20.179	€ 20.989	€ 21.516	€ 21.995	€ 22.889	€ 23.797	€ 24.132	€ 27.273	€ 27.890	€ 28.511	€ 29.123	€ 30.010	€ 30.491	€ 31.276	€ 31.888	€ 2.323
750 cm		€ 12.847	€ 13.490	€ 14.308	€ 15.213	€ 15.857	€ 19.019	€ 19.659	€ 20.566	€ 21.383	€ 21.918	€ 22.405	€ 23.307	€ 24.218	€ 24.569	€ 27.802	€ 28.427	€ 29.056	€ 29.675	€ 30.571	€ 31.061	€ 31.854	€ 32.474	€ 2.423
800 cm		€ 13.075	€ 13.728	€ 14.555	€ 15.468	€ 16.119	€ 19.387	€ 20.036	€ 20.949	€ 21.773	€ 22.317	€ 22.813	€ 23.720	€ 24.635	€ 25.002	€ 28.330	€ 28.962	€ 29.600	€ 30.229	€ 31.130	€ 31.626	€ 32.427	€ 33.057	€ 2.522
850 cm		€ 13.313	€ 13.973	€ 14.807	€ 15.728	€ 16.388	€ 19.767	€ 20.426	€ 21.348	€ 22.180	€ 22.730	€ 23.236	€ 24.150	€ 25.073	€ 25.445	€ 28.870	€ 29.512	€ 30.156	€ 30.795	€ 31.707	€ 32.204	€ 33.014	€ 33.650	€ 2.621
900 cm		€ 13.550	€ 14.220	€ 15.060	€ 15.988	€ 16.656	€ 20.147	€ 20.815	€ 21.743	€ 22.584	€ 23.142	€ 23.655	€ 24.577	€ 25.510	€ 25.888	€ 29.409	€ 30.060	€ 30.711	€ 31.360	€ 32.279	€ 32.782	€ 33.600	€ 34.245	€ 2.718
950 cm		€ 13.780	€ 14.458	€ 15.309	€ 16.246	€ 16.920	€ 20.519	€ 21.191	€ 22.128	€ 22.981	€ 23.542	€ 24.064	€ 24.996	€ 25.937	€ 26.324	€ 29.941	€ 30.599	€ 31.256	€ 31.912	€ 32.840	€ 33.349	€ 34.176	€ 34.829	€ 2.817
1000 cm		€ 14.011	€ 14.697	€ 15.554	€ 16.499	€ 17.182	€ 20.888	€ 21.567	€ 22.513	€ 23.374	€ 23.943	€ 24.472	€ 25.411	€ 26.364	€ 26.755	€ 30.466	€ 31.134	€ 31.800	€ 32.462	€ 33.396	€ 33.916	€ 34.749	€ 35.411	€ 2.916
1050 cm		€ 14.426	€ 15.285	€ 16.184	€ 17.174	€ 17.902	€ 21.776	€ 22.639	€ 23.494	€ 24.538	€ 25.147	€ 25.722	€ 26.708	€ 27.705	€ 28.279	€ 31.963	€ 32.694	€ 33.542	€ 34.251	€ 35.231	€ 35.785	€ 36.662	€ 37.504	€ 3.015
1100 cm		€ 14.837	€ 15.868	€ 16.813	€ 17.848	€ 18.618	€ 22.665	€ 23.705	€ 24.474	€ 25.698	€ 26.349	€ 26.970	€ 28.002	€ 29.044	€ 29.802	€ 33.454	€ 34.253	€ 35.282	€ 36.036	€ 37.059	€ 37.650	€ 38.572	€ 39.594	€ 3.114
1150 cm		€ 15.083	€ 16.123	€ 17.075	€ 18.115	€ 18.895	€ 23.048	€ 24.100	€ 24.876	€ 26.105	€ 26.764	€ 27.392	€ 28.433	€ 29.482	€ 30.247	€ 34.015	€ 34.801	€ 35.839	€ 36.601	€ 37.631	€ 38.228	€ 39.158	€ 40.189	€ 3.212
1200 cm		€ 15.328	€ 16.375	€ 17.339	€ 18.384	€ 19.170	€ 23.432	€ 24.495	€ 25.278	€ 26.513	€ 27.179	€ 27.815	€ 28.863	€ 29.922	€ 30.694	€ 34.578	€ 35.351	€ 36.397	€ 37.166	€ 38.206	€ 38.808	€ 39.747	€ 40.784	€ 3.311
FS3		€ 241	€ 252	€ 275	€ 302	€ 327	€ 352	€ 377	€ 402	€ 427	€ 452	€ 581	€ 606	€ 631	€ 656	€ 683	€ 708	€ 733	€ 758	€ 783	€ 808	€ 833	€ 858	
FS5-A		€ 44	€ 56	€ 65	€ 75	€ 87	€ 96	€ 108	€ 117	€ 129	€ 139	€ 150	€ 160	€ 171	€ 181	€ 192	€ 202	€ 214	€ 223	€ 235	€ 244	€ 256	€ 266	
FS5-E		€ 61	€ 77	€ 90	€ 103	€ 119	€ 132	€ 148	€ 162	€ 178	€ 191	€ 207	€ 220	€ 236	€ 249	€ 265	€ 278	€ 294	€ 307	€ 323	€ 336	€ 352	€ 366	

FS3	Gutter System
FS5-A	Additional Fabric Support Profile (Standard)
FS5-E	Additional Fabric Support Profile (3 Axis)
FS4 FS10-C	Additional Rail for Compact Series- Al. - 75x120mm for both projection side Additional Pillar for Compact Series- Al. - 80x80mm
FS8	Lighting System

FS8	
FS8-S	SPOT
FS8-L	LINEAR
FS8-LR (RGB)	LINEAR (RGB)

LED TYPE & MODULE		
2 LED	3 LED	4 LED
€ 136	€ 165	€ 194
€ 194	€ 252	
€ 247	€ 320	

### Notes:

- FS9-C- Side Beam (Al. 80x130mm) is included in the price for right and left side.
- FS Flexy Plain/3D or Stam 6002 is included in the price.
- Motor and Remote control is included in the price.
- Palmiye Aluminium Coating Catalogue includes the standard colours with no extra cost. For any other type/brand/color of paint, price difference and additional delivery duration shall be checked from your customer representative.
- Standard fabric support profile plastic colours are specified in Palmiye Aluminium Coating Catalogue.
- If you use an additional rail you have to add a front pillar. It's included in the price. (FS4+FS10-C)
- The gutter option price is for one side and must be added separately for each side.
- In pergolas including steel front pillars, if gutter option is preferred, external water drainage points will be specified according to the Project and will be priced additionally.

### DEDUCTIONS

Price deduction is applicable only for front & back pillars and side beam. Deduction amount shall be consider as 70% of related option price.

## OPTIONS

FS10-C	Extra pillar (80x80mm Al.)	€ 403	pcs
FS10	Extra pillar (100x100mm Al.)	€ 548	pcs
FS10-ST3	Extra pillar (100x100x3mm St.)	€ 525	pcs
FS10-ST5	Extra pillar (100x100x5mm St.)	€ 765	pcs
FS11	Deco ceiling cover	€ 72	m <sup>2</sup>
FS15-C	Side beam pillar (80x80mm - Al)	€ 403	pcs
FS19	Fix louver	€ 75	lm
FS23	External Square Downpipe	€ 335	pcs
FS24	W96 Ceiling Cover	€ 84	m <sup>2</sup>
FS26	Exclusive fabric difference (up to 800cm width)	€ 49	m <sup>2</sup>
FS29-1	Sun Sensor (SUNIS) (for single motor)	€ 621	pcs
FS29-1S	Sun Sensor (SUNIS) (for synchronized motor)	€ 990	pcs
FS29-2	Wind Sensor (EOLIS RTS) (for single motor)	€ 293	pcs
FS29-2S	Wind Sensor (EOLIS RTS) (for synchronized motor)	€ 658	pcs
FS29-3	Sun and Wind Sensor (SOLIRIS RTS) (for single motor)	€ 331	pcs
FS29-3S	Sun and Wind Sensor (SOLIRIS RTS) (for synchronized motor)	€ 696	pcs
FS29-4 <sup>2/3</sup>	Rain Sensor (ONDEIS) (for single motor)	€ 574	pcs
FS29-4S <sup>2/3</sup>	Rain Sensor (ONDEIS) (for synchronized motor)	€ 938	pcs
FS30	CONNEXOON	€ 525	pcs

### Notes:

- Fabric support profiles can be painted in the same color as the general construction. No fee is paid for this process. However, the plastic color should be specified from our standard plastic colours in Palmiye Color Chart.
- For one product, a dry contact transmitter costing 368€, must be added.
- Up to 5 products, a RS485 Automation interface dry contact transmitter costing 1126€, must be added.

## EXTENSIONS

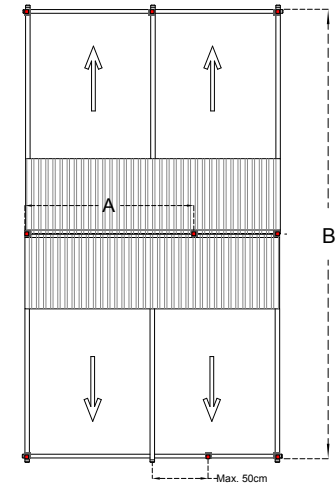
Rail	Compact - 75x120mm	€ 206	lm
Beam	Al. 80x130mm	€ 98	lm
Beam	Al. 100x150mm	€ 155	lm
Beam	St. 100x150x3mm	€ 320	lm
Beam	St. 100x150x5mm	€ 388	lm
Beam	St. 100x200x3mm	€ 325	lm
Beam	St. 100x200x5mm	€ 462	lm
Fabric protection cover	Al. - 63x___cm	€ 60	m <sup>2</sup>
Gutter	Special Profile	€ 45	lm
Pillar	Al. 80x80mm	€ 87	lm
Pillar	Al. 100x100mm	€ 173	lm
Pillar	St. 100x100x3mm	€ 217	lm
Pillar	St. 100x100x5mm	€ 388	lm
Pillar	St. 150x150x3mm	€ 439	lm
Pillar	St. 150x150x5mm	€ 615	lm

\*Max. Al. Front pillar (Al. 80x80mm) height is 280cm  
 \*Max. St 3mm. Front pillar (St. 100x100x3mm) height is 380cm  
 \*Max. St. 5mm Front pillar (St. 100x100x5mm) height is 480cm

## PRICE DIFFERENCE

		BEAM GROUP	
		Standard	Al. 100x150mm
Back Beam			
	to	St. 100x150x3mm	€ 160 lm
		St. 100x150x5mm	€ 238 lm
		St. 100x200x3mm	€ 165 lm
		St. 100x200x5mm	€ 311 lm
		Standard	Al. 80x130mm
Front Beam			
	to	Al. 100x150mm	€ 57 lm
		St. 100x150x3mm	€ 234 lm
		St. 100x150x5mm	€ 312 lm
		St. 100x200x3mm	€ 239 lm
		St. 100x200x5mm	€ 385 lm

		PILLAR GROUP	
		Standard	Al. 100x100mm
Back Pillar			
	to	St. 100x100x3mm	€ 111 pcs
		St. 100x100x5mm	€ 456 pcs
		St. 150x150x3mm	€ 696 pcs
		St. 150x150x5mm	€ 1.231 pcs
		Standard	Al. 80x80mm
Front Pillar			
	to	Al. 100x100mm	€ 142 pcs
		St. 100x100x3mm	€ 296 pcs
		St. 100x100x5mm	€ 641 pcs
		St. 150x150x3mm	€ 881 pcs
		St. 150x150x5mm	€ 1.416 pcs



Middle front pillars can only be moved max. 50 cm towards right or left side.

## STANDARD CONSTRUCTION

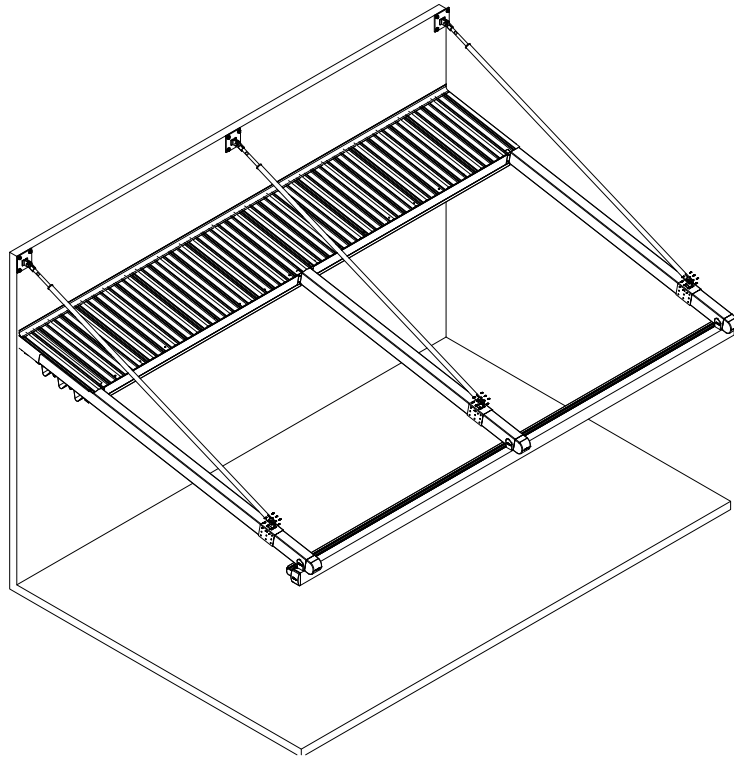
		WIDTH																	
		450	500	550	600	650	700	750	800	850	900	950	1000	1050	1100	1150	1200	1250	1300
PROJECTION	400																		
	600																		
	800																		
	900																		
	1000																		
	1100																		
1200																			

BACK PILLAR : Al. 100x100x3mm  
 BACK BEAM : Al. 100x150x3mm  
 (in price included)

## BACK PILLAR POSITION CHANGE

		A								
		500	550	600	650	700	750	800	850	900
B	400									
	600									
	800									
	1000									
	1200									

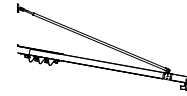
BACK PILLAR : Al. 100x100x3mm  
 BACK BEAM : Al. 100x150x3mm  
 BACK PILLAR : St. 100x100x3mm  
 BACK BEAM : St. 100x150x3mm  
 BACK PILLAR : St. 100x100x5mm  
 BACK BEAM : St. 100x150x5mm  
 BACK PILLAR : St. 100x100x5mm  
 BACK BEAM : St. 100x200x5mm  
 (Construction price difference needs to be added. The deflection doesn't evaluate on this chart.)



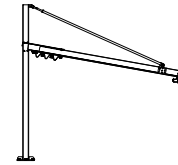
# SILVER HANGING

## PRODUCT FORMS

- **Silver Hanging** Wall / Ceiling Installation
- 



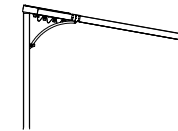
- **Silver Hanging** Freestanding
- 



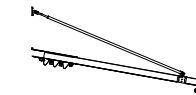
- **Silver Hanging** Wall / Ceiling Installation - Buttress
- 



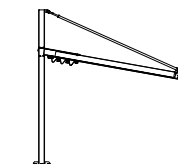
- **Silver Hanging** Freestanding - Buttress
- 



- **Silver Compact Hanging** Wall / Ceiling Installation
- 

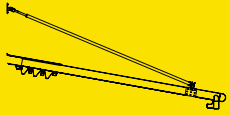


- **Silver Compact Hanging** Freestanding
- 



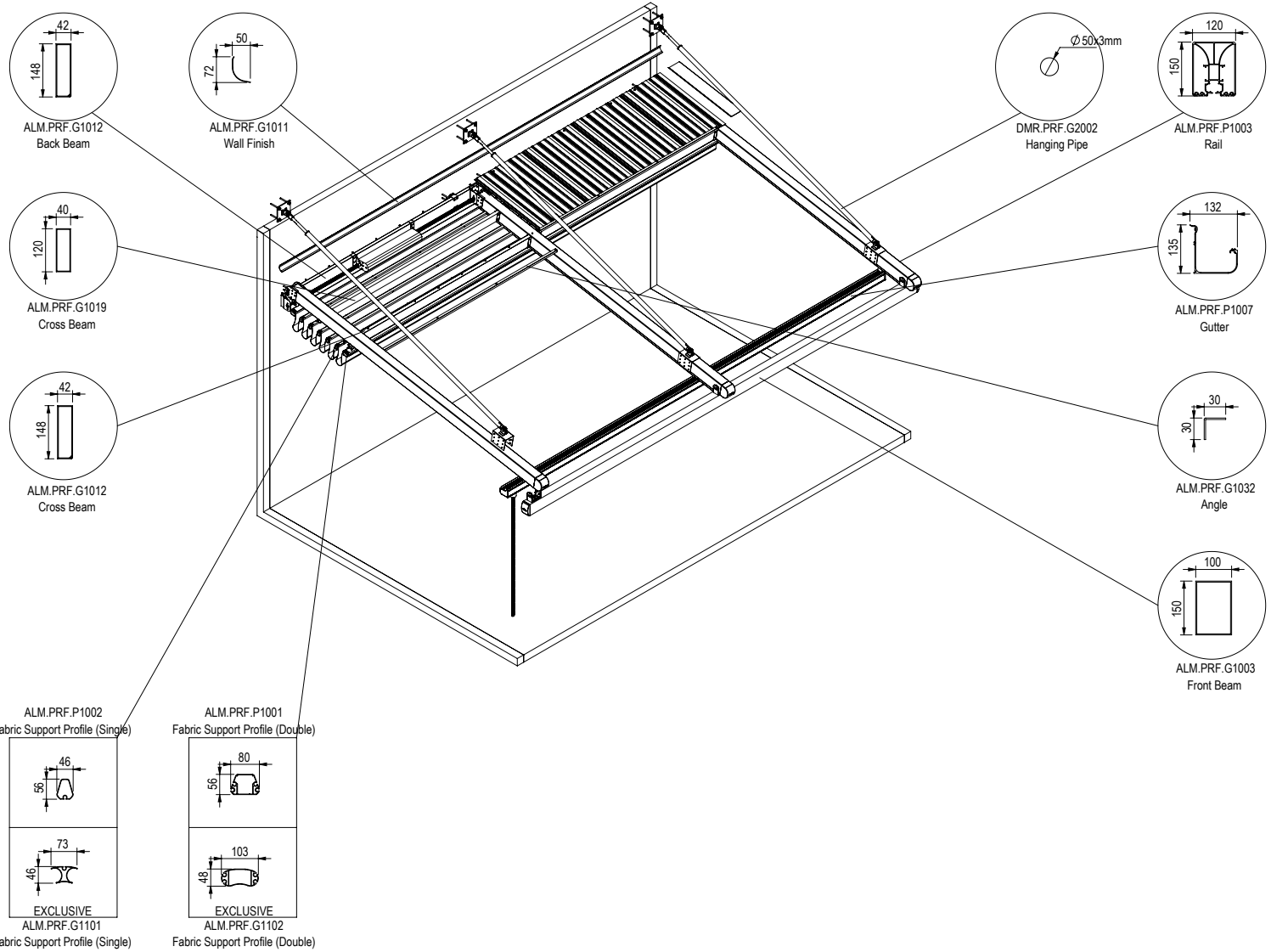
# SILVER

## Hanging Wall / Ceiling



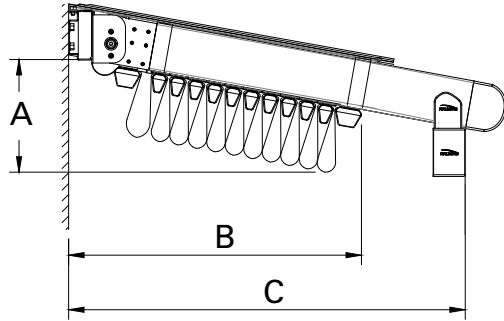
### MAXIMUM DIMENSIONS

	WIDTH	PROJECTION
2 RAILS	450 cm	600 cm
3 RAILS	900 cm	600 cm
4 RAILS	1300 cm	600 cm



# TECHNICAL FEATURES

## COLLECTED FABRIC DIMENSIONS



TILTED VERSION Projection cm

	185	235	284	334	383	433	482	532	581	C
4	34									61
5		35								68
6			36							74
7				37						81
8					38					87
9						39				94
10							40			100
11								41		107
12									42	113

No of Fabric Support Profiles

\*Calculated according to a slope of 15%

## DRAINAGE CALCULATION

Type	Max. m <sup>2</sup>
Full	39 m <sup>2</sup> /pc

\* per drainage

There should be at least one drainage, each 8 m length gutter.

## MINIMUM SLOPE CHART

Projection	Slope										
	6,4-7,9%	7,4-8,8%	8,4-9,7%	9,4-10,8%	10,4-12%	11,2-12,7%	12-13,4%	13-14,5%	14-15,7%	15-16,6%	16-17,6%
	Rail Center										
	200	225	250	275	300	325	350	375	400	425	450
250	16	19	21	24	26	28	30	33	35	38	40
300	20	23	26	29	31	34	37	40	42	45	48
350	23	27	30	34	37	40	43	46	49	53	56
400	27	31	35	39	42	46	49	53	57	61	64
450	32	36	40	44	48	52	56	60	64	69	73
500	36	41	45	50	54	59	63	68	72	77	81
550	40	45	50	55	60	65	70	75	80	85	90
600	44	50	55	61	66	72	77	83	88	94	99

\*Note: Max. slope can be up to 25%

For back height of system 30 cm should be added to slope value.

## WIND RESISTANCE

PROJECTION (cm)	WIDTH (cm)																	
	450	500	550	600	650	700	750	800	850	900	950	1000	1050	1100	1150	1200	1250	1300
400	10	10	10	9	9	9	8	8	8	7	9	9	9	8	8	8	8	7
450	10	9	8	8	8	8	7	7	7	7	8	8	8	7	7	7	7	7
500	9	8	7	7	7	7	6	6	6	6	7	7	7	6	6	6	6	6
550	8	7	7	7	7	6	6	6	6	6	7	6	6	6	6	6	6	6
600	7	6	6	6	6	5	5	5	5	5	6	5	5	5	5	5	5	5

\*The values are given according to the Beaufort scale.

\*\*Calculated for Products with a front height of 250 cm according to Eurocode EN 1991-1-4 Terrain Category 4.

\*\*\* You can ask for new calculations for special designs.

All sides open

# SILVER Hanging Wall / Ceiling



Projection	Width	2 RAILS					3 RAILS									4 RAILS									FS4	FS9	FS9-S
		250 cm	300 cm	350 cm	400 cm	450 cm	500 cm	550 cm	600 cm	650 cm	700 cm	750 cm	800 cm	850 cm	900 cm	950 cm	1000 cm	1050 cm	1100 cm	1150 cm	1200 cm	1250 cm	1300 cm				
200 cm		€ 7.644	€ 8.018	€ 8.542	€ 9.077	€ 9.449	€ 11.103	€ 11.466	€ 11.831	€ 12.523	€ 12.830	€ 13.084	€ 13.444	€ 13.807	€ 14.170	€ 15.992	€ 16.349	€ 16.710	€ 17.071	€ 17.432	€ 17.713	€ 18.194	€ 18.753	€ 1.185	€ 242	€ 322	
250 cm		€ 7.979	€ 8.551	€ 9.064	€ 9.449	€ 9.833	€ 11.644	€ 12.220	€ 12.596	€ 13.105	€ 13.423	€ 13.691	€ 14.261	€ 14.836	€ 15.010	€ 16.772	€ 17.144	€ 17.715	€ 18.085	€ 18.459	€ 18.749	€ 19.249	€ 19.818	€ 1.308	€ 292	€ 402	
300 cm		€ 8.566	€ 9.206	€ 9.782	€ 10.237	€ 10.688	€ 12.733	€ 13.376	€ 13.822	€ 14.400	€ 14.779	€ 15.118	€ 15.756	€ 16.400	€ 16.645	€ 18.594	€ 19.036	€ 19.677	€ 20.115	€ 20.558	€ 20.906	€ 21.471	€ 22.107	€ 1.432	€ 343	€ 483	
350 cm		€ 9.102	€ 9.564	€ 10.153	€ 10.806	€ 11.270	€ 13.487	€ 13.949	€ 14.604	€ 15.197	€ 15.584	€ 15.936	€ 16.590	€ 17.255	€ 17.503	€ 19.789	€ 20.244	€ 20.702	€ 21.153	€ 21.804	€ 22.164	€ 22.742	€ 23.194	€ 1.555	€ 393	€ 563	
400 cm		€ 9.448	€ 9.925	€ 10.525	€ 11.193	€ 11.668	€ 14.044	€ 14.519	€ 15.187	€ 15.792	€ 16.192	€ 16.559	€ 17.223	€ 17.894	€ 18.166	€ 20.594	€ 21.062	€ 21.533	€ 21.997	€ 22.663	€ 23.030	€ 23.623	€ 24.089	€ 1.678	€ 443	€ 644	
450 cm		€ 9.805	€ 10.295	€ 10.909	€ 11.588	€ 12.076	€ 14.620	€ 15.109	€ 15.790	€ 16.407	€ 16.819	€ 17.198	€ 17.876	€ 18.560	€ 18.843	€ 21.419	€ 21.900	€ 22.381	€ 22.861	€ 23.540	€ 23.915	€ 24.521	€ 25.000	€ 1.801	€ 493	€ 724	
500 cm		€ 10.155	€ 10.656	€ 11.283	€ 11.975	€ 12.476	€ 15.184	€ 15.681	€ 16.377	€ 17.011	€ 17.430	€ 17.821	€ 18.514	€ 19.215	€ 19.507	€ 22.227	€ 22.721	€ 23.217	€ 23.707	€ 24.399	€ 24.786	€ 25.406	€ 25.898	€ 1.924	€ 543	€ 805	
550 cm		€ 10.505	€ 11.017	€ 11.657	€ 12.362	€ 12.877	€ 15.747	€ 16.254	€ 16.965	€ 17.616	€ 18.042	€ 18.444	€ 19.152	€ 19.870	€ 20.171	€ 23.035	€ 23.542	€ 24.053	€ 24.553	€ 25.258	€ 25.658	€ 26.291	€ 26.796	€ 2.047	€ 593	€ 885	
600 cm		€ 10.854	€ 11.378	€ 12.031	€ 12.750	€ 13.277	€ 16.310	€ 16.826	€ 17.552	€ 18.220	€ 18.654	€ 19.067	€ 19.789	€ 20.525	€ 20.835	€ 23.844	€ 24.364	€ 24.889	€ 25.398	€ 26.117	€ 26.530	€ 27.175	€ 27.694	€ 2.170	€ 643	€ 966	
FS3		€ 241	€ 252	€ 275	€ 302	€ 327	€ 352	€ 377	€ 402	€ 427	€ 452	€ 581	€ 606	€ 631	€ 656	€ 683	€ 708	€ 733	€ 758	€ 783	€ 808	€ 833	€ 858				
FS5-A		€ 44	€ 56	€ 65	€ 75	€ 87	€ 96	€ 108	€ 117	€ 129	€ 139	€ 150	€ 160	€ 171	€ 181	€ 192	€ 202	€ 214	€ 223	€ 235	€ 244	€ 256	€ 266				
FS5-E		€ 61	€ 77	€ 90	€ 103	€ 119	€ 132	€ 148	€ 162	€ 178	€ 191	€ 207	€ 220	€ 236	€ 249	€ 265	€ 278	€ 294	€ 307	€ 323	€ 336	€ 352	€ 366				

FS3	Gutter System
FS5-A	Additional Fabric Support Profile (Standard)
FS5-E	Additional Fabric Support Profile (3 Axis)
FS4	Additional Rail - Al.Plus- 120x150mm
FS8	Lighting System
FS9	Side Beam - Al.- 50x150mm
FS9-S	Side Beam - Al.- 100x150mm (Special)

FS8	
FS8-S	SPOT
FS8-L	LINEAR
FS8-LR (RGB)	LINEAR (RGB)

LEDTYPE & MODULE		
2 LED	3 LED	4 LED
€ 136	€ 165	€ 194
€ 194	€ 252	
€ 247	€ 320	

### Notes:

1. Any Side Beam is not included in the price.
2. FS Flexy Plain/3D or Stam 6002 is included in the price.
3. Motor and Remote control is included in the price.
4. Palmiye Aluminium Coating Catalogue includes the standard colours with no extra cost. For any other type/brand/color of paint, price difference and additional delivery duration shall be checked from your customer representative.
5. Standard fabric support profile plastic colours are specified in Palmiye Aluminium Coating Catalogue.

## OPTIONS

FS11	Deco ceiling cover	€ 72	m <sup>2</sup>
FS15	Side beam pillar (50x100mm - Al)	€ 284	pcs
FS15-B	Side beam pillar (100x100mm - Al)	€ 548	pcs
FS19	Fix louver	€ 75	lm
FS24	W96 Ceiling Cover	€ 84	m <sup>2</sup>
FS26	Exclusive fabric difference (up to 800cm width)	€ 49	m <sup>2</sup>
FS28-1	Stainless steel chain - 100 cm	€ 79	1m
FS28-2	Stainless steel chain - 200 cm	€ 153	2m
FS28-3	Stainless steel chain - 300 cm	€ 224	3m
FS28-4	Stainless steel chain - 400 cm	€ 298	4m
FS29-1	Sun Sensor (SUNIS) (for single motor)	€ 621	pcs
FS29-1S	Sun Sensor (SUNIS) (for synchronized motor)	€ 990	pcs
FS29-2	Wind Sensor (EOLIS RTS) (for single motor)	€ 293	pcs
FS29-2S	Wind Sensor (EOLIS RTS) (for synchronized motor)	€ 658	pcs
FS29-3	Sun and Wind Sensor (SOLIRIS RTS) (for single motor)	€ 331	pcs
FS29-3S	Sun and Wind Sensor (SOLIRIS RTS) (for synchronized motor)	€ 696	pcs
FS29-4 <sup>2/3</sup>	Rain Sensor (ONDEIS) (for single motor)	€ 574	pcs
FS29-4S <sup>2/3</sup>	Rain Sensor (ONDEIS) (for synchronized motor)	€ 938	pcs
FS30	CONNEXOON	€ 525	pcs

### Notes:

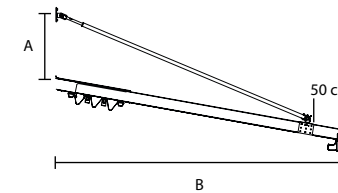
1. Fabric support profiles can be painted in the same color as the general construction. No fee is paid for this process. However, the plastic color should be specified from our standard plastic colours in Palmiye Color Chart.
2. For one product, a dry contact transmitter costing 368€, must be added.
3. Up to 5 products, a RS485 Automation interface dry contact transmitter costing 1126€, must be added.

## EXTENSIONS

Rail	Plus - 120x150mm	€ 337	lm
Beam	Al. 42x150mm	€ 105	lm
Beam	Al. 50x150mm	€ 186	lm
Beam	Al. 100x150mm	€ 155	lm
Beam	St. 100x150x3mm	€ 320	lm
Beam	St. 100x150x5mm	€ 388	lm
Beam	St. 100x200x3mm	€ 325	lm
Beam	St. 100x200x5mm	€ 462	lm
Fabric protection cover	Al. - 63x__cm	€ 60	m <sup>2</sup>
Gutter	Special Profile	€ 45	lm

## PRICE DIFFERENCE

		BEAM GROUP	
		Standard	Al. 42x150mm
Back Beam	to	Al. 50x150mm	€ 81 lm
		St. 50x150x3mm	€ 104 lm
		St. 50x150x5mm	€ 192 lm
		Al. 100x150mm	€ 48 lm
		St. 100x150x3mm	€ 210 lm
		St. 100x150x5mm	€ 285 lm
		St. 100x200x3mm	€ 215 lm
		St. 100x200x5mm	€ 359 lm



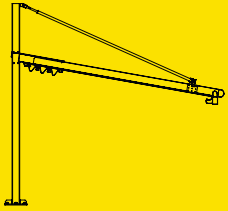
### MINIMUM "A" VALUES

B (cm)	250	300	350	400	450	500	550	600
A (cm)	50	50	50	60	70	80	90	100

Upper values will be evaluated on a project basis.

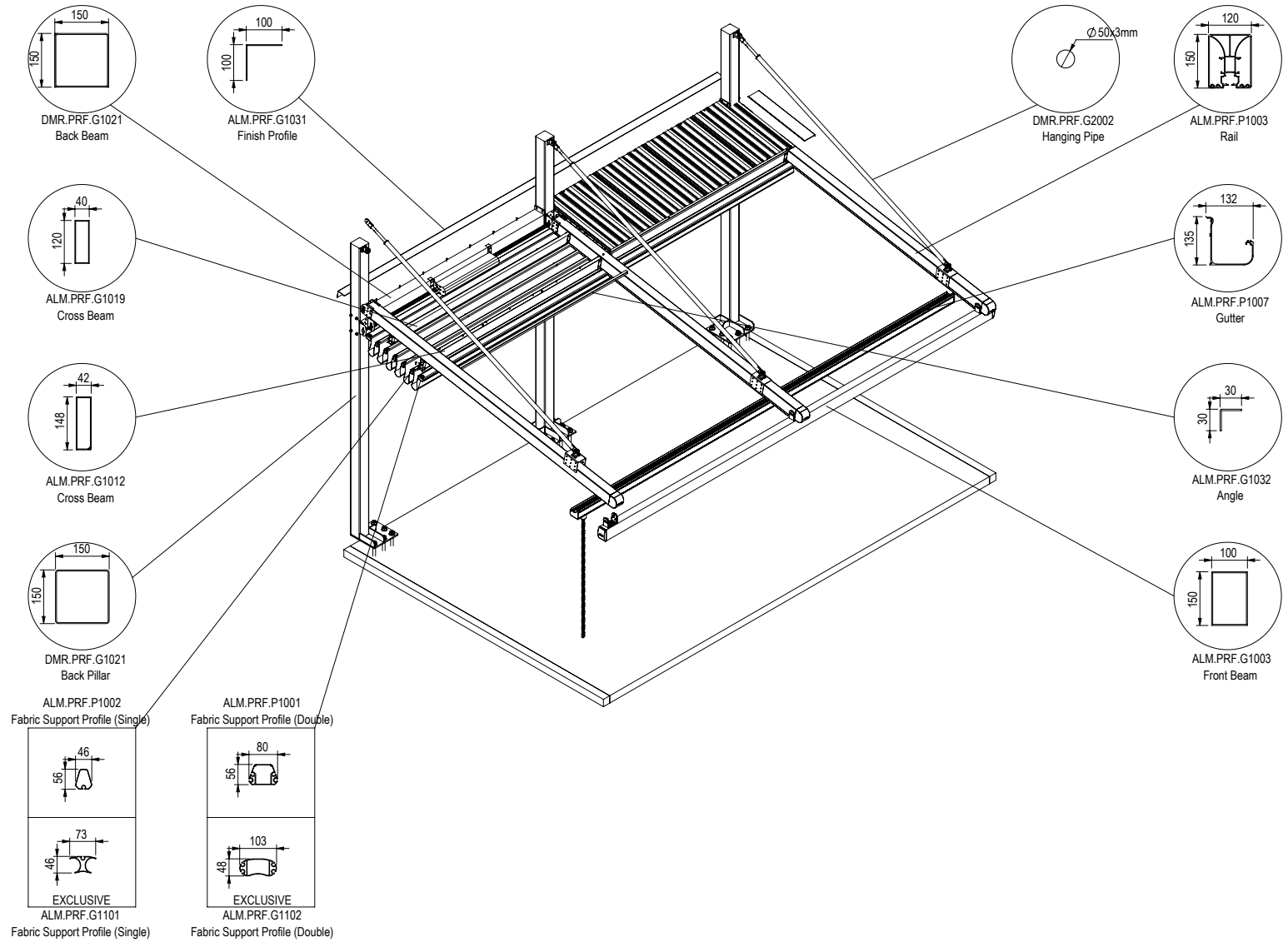
# SILVER

## Hanging Freestanding



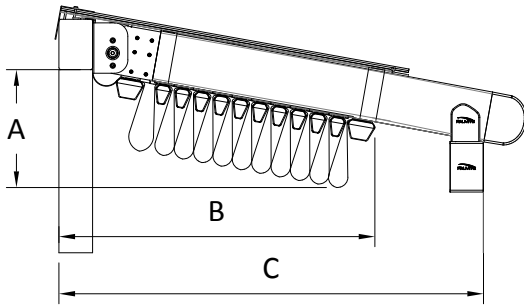
### MAXIMUM DIMENSIONS

	WIDTH	PROJECTION
2 RAILS	450 cm	600 cm
3 RAILS	900 cm	600 cm
4 RAILS	1300 cm	600 cm



# TECHNICAL FEATURES

## COLLECTED FABRIC DIMENSIONS



No of Fabric Support Profiles	TILTED VERSION										C
	Projection cm										
	185	235	284	334	383	433	482	532	581		
4	35										66
5	36										73
6	37										79
7	38										86
8	39										92
9	40										99
10	41										105
11	42										112
12	43										118

\*Calculated according to a slope of 15%

## DRAINAGE CALCULATION

Type	Max. m <sup>2</sup>
Full	39 m <sup>2</sup> /pc

\* per drainage

There should be at least one drainage, each 8 m length gutter.

## MINIMUM SLOPE CHART

Projection	Slope										
	6,4-7,9%	7,4-8,8%	8,4-9,7%	9,4-10,8%	10,4-12%	11,2-12,7%	12-13,4%	13-14,5%	14-15,7%	15-16,6%	16-17,6%
	Rail Center										
	200	225	250	275	300	325	350	375	400	425	450
250	16	19	21	24	26	28	30	33	35	38	40
300	20	23	26	29	31	34	37	40	42	45	48
350	23	27	30	34	37	40	43	46	49	53	56
400	27	31	35	39	42	46	49	53	57	61	64
450	32	36	40	44	48	52	56	60	64	69	73
500	36	41	45	50	54	59	63	68	72	77	81
550	40	45	50	55	60	65	70	75	80	85	90
600	44	50	55	61	66	72	77	83	88	94	99

For back height of system 25 cm should be added to slope value.

\*Note: Max. slope can be up to 25%

## WIND RESISTANCE

PROJECTION (cm)	WIDTH																	
	450	500	550	600	650	700	750	800	850	900	950	1000	1050	1100	1150	1200	1250	1300
400	10	10	10	9	9	9	9	8	8	8	9	9	9	9	8	8	8	8
450	9	9	9	8	8	8	8	7	7	7	8	8	8	8	7	7	7	7
500	8	8	8	8	8	7	7	7	7	6	8	7	7	7	7	7	7	6
550	8	8	7	7	7	7	6	6	6	6	7	7	7	6	6	6	6	6
600	7	7	7	6	6	6	6	6	5	5	6	6	6	6	6	6	5	5

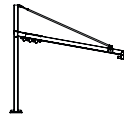
All sides open

\*The values are given according to the Beaufort scale.

\*\*Calculated for Products with a front height of 250 cm according to Eurocode EN 1991-1-4 Terrain Category 4.

\*\*\* You can ask for new calculations for special designs.

# SILVER Hanging Freestanding



Projection	2 RAILS					3 RAILS									4 RAILS									FS4	FS9	FS9-S
	250 cm	300 cm	350 cm	400 cm	450 cm	500 cm	550 cm	600 cm	650 cm	700 cm	750 cm	800 cm	850 cm	900 cm	950 cm	1000 cm	1050 cm	1100 cm	1150 cm	1200 cm	1250 cm	1300 cm				
200 cm	€ 9.090	€ 9.464	€ 9.988	€ 10.523	€ 10.895	€ 13.271	€ 13.634	€ 13.999	€ 14.691	€ 14.998	€ 15.253	€ 15.612	€ 15.975	€ 16.338	€ 18.883	€ 19.240	€ 19.601	€ 19.962	€ 20.323	€ 20.604	€ 21.085	€ 21.644	€ 1.185	€ 242	€ 322	
250 cm	€ 9.424	€ 9.997	€ 10.510	€ 10.895	€ 11.278	€ 13.812	€ 14.388	€ 14.764	€ 15.273	€ 15.591	€ 15.859	€ 16.429	€ 17.004	€ 17.178	€ 19.663	€ 20.035	€ 20.606	€ 20.976	€ 21.350	€ 21.640	€ 22.140	€ 22.708	€ 1.308	€ 292	€ 402	
300 cm	€ 10.012	€ 10.652	€ 11.228	€ 11.683	€ 12.133	€ 14.901	€ 15.545	€ 15.990	€ 16.568	€ 16.948	€ 17.286	€ 17.924	€ 18.568	€ 18.813	€ 21.485	€ 21.926	€ 22.568	€ 23.006	€ 23.449	€ 23.797	€ 24.362	€ 24.998	€ 1.432	€ 343	€ 483	
350 cm	€ 10.547	€ 11.009	€ 11.598	€ 12.251	€ 12.715	€ 15.655	€ 16.117	€ 16.772	€ 17.365	€ 17.752	€ 18.104	€ 18.759	€ 19.423	€ 19.672	€ 22.680	€ 23.135	€ 23.593	€ 24.044	€ 24.695	€ 25.054	€ 25.633	€ 26.085	€ 1.555	€ 393	€ 563	
400 cm	€ 10.893	€ 11.370	€ 11.971	€ 12.639	€ 13.114	€ 16.212	€ 16.688	€ 17.355	€ 17.960	€ 18.360	€ 18.727	€ 19.391	€ 20.063	€ 20.334	€ 23.485	€ 23.953	€ 24.424	€ 24.888	€ 25.554	€ 25.921	€ 26.514	€ 26.980	€ 1.678	€ 443	€ 644	
450 cm	€ 11.390	€ 11.908	€ 12.550	€ 13.257	€ 13.773	€ 17.068	€ 17.584	€ 18.293	€ 18.939	€ 19.378	€ 19.786	€ 20.491	€ 21.204	€ 21.514	€ 24.841	€ 25.350	€ 25.858	€ 26.367	€ 27.074	€ 27.476	€ 28.110	€ 28.617	€ 1.801	€ 493	€ 724	
500 cm	€ 11.740	€ 12.269	€ 12.924	€ 13.644	€ 14.173	€ 17.631	€ 18.157	€ 18.881	€ 19.543	€ 19.990	€ 20.409	€ 21.129	€ 21.858	€ 22.178	€ 25.649	€ 26.171	€ 26.695	€ 27.213	€ 27.933	€ 28.348	€ 28.995	€ 29.515	€ 1.924	€ 543	€ 805	
550 cm	€ 12.090	€ 12.630	€ 13.298	€ 14.031	€ 14.574	€ 18.194	€ 18.729	€ 19.468	€ 20.147	€ 20.602	€ 21.032	€ 21.767	€ 22.513	€ 22.842	€ 26.457	€ 26.992	€ 27.531	€ 28.058	€ 28.792	€ 29.220	€ 29.880	€ 30.413	€ 2.047	€ 593	€ 885	
600 cm	€ 12.440	€ 12.991	€ 13.672	€ 14.419	€ 14.974	€ 18.757	€ 19.302	€ 20.056	€ 20.751	€ 21.213	€ 21.655	€ 22.405	€ 23.168	€ 23.506	€ 27.265	€ 27.813	€ 28.367	€ 28.904	€ 29.650	€ 30.092	€ 30.765	€ 31.311	€ 2.170	€ 643	€ 966	
FS3	€ 241	€ 252	€ 275	€ 302	€ 327	€ 352	€ 377	€ 402	€ 427	€ 452	€ 581	€ 606	€ 631	€ 656	€ 683	€ 708	€ 733	€ 758	€ 783	€ 808	€ 833	€ 858				
FS5-A	€ 44	€ 56	€ 65	€ 75	€ 87	€ 96	€ 108	€ 117	€ 129	€ 139	€ 150	€ 160	€ 171	€ 181	€ 192	€ 202	€ 214	€ 223	€ 235	€ 244	€ 256	€ 266				
FS5-E	€ 61	€ 77	€ 90	€ 103	€ 119	€ 132	€ 148	€ 162	€ 178	€ 191	€ 207	€ 220	€ 236	€ 249	€ 265	€ 278	€ 294	€ 307	€ 323	€ 336	€ 352	€ 366				

FS3	Gutter System
FS5-A	Additional Fabric Support Profile (Standard)
FS5-E	Additional Fabric Support Profile (3 Axis)
FS4	Additional Rail - Al.Plus- 120x150mm
FS8	Lighting System
FS9	Side Beam - Al.- 50x150mm
FS9-S	Side Beam - Al.- 100x150mm (Special)

FS8	
FS8-S	SPOT
FS8-L	LINEAR
FS8-LR (RGB)	LINEAR (RGB)

LEDTYPE & MODULE		
2 LED	3 LED	4 LED
€ 136	€ 165	€ 194
€ 194	€ 252	
€ 247	€ 320	

### Notes:

- Any Side Beam is not included in the price.
- FS Flexy Plain/3D or Stam 6002 is included in the price.
- Motor and Remote control is included in the price.
- Palmiye Aluminium Coating Catalogue includes the standard colours with no extra cost. For any other type/brand/color of paint, price difference and additional delivery duration shall be checked from your customer representative.
- Standard fabric support profile plastic colours are specified in Palmiye Aluminium Coating Catalogue.
- In pergolas including steel front pillars, if gutter option is preferred, external water drainage points will be specified according to the Project and will be priced additionally.

### DEDUCTIONS

Price deduction is applicable only for back pillars and back beam. Deduction amount shall be consider as 70% of related option price.

## OPTIONS

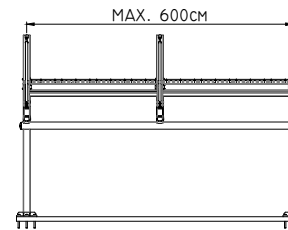
FS10-150ST3	Extra pillar (150x150x3mm St.)	€ 980	pcs
FS10-150ST5	Extra pillar (150x150x5mm St.)	€ 1.370	pcs
FS10-150ST5-H	Extra Half pillar (150x150x5mm St.)	€ 165	pcs
FS11	Deco ceiling cover	€ 72	m <sup>2</sup>
FS15	Side beam pillar (50x100mm - Al)	€ 284	pcs
FS15-B	Side beam pillar (100x100mm - Al)	€ 548	pcs
FS19	Fix louver	€ 75	lm
FS24	W96 Ceiling Cover	€ 84	m <sup>2</sup>
FS26	Exclusive fabric difference (up to 800cm width)	€ 49	m <sup>2</sup>
FS28-1	Stainless steel chain - 100 cm	€ 79	1m
FS28-2	Stainless steel chain - 200 cm	€ 153	2m
FS28-3	Stainless steel chain - 300 cm	€ 224	3m
FS28-4	Stainless steel chain - 400 cm	€ 298	4m
FS29-1	Sun Sensor (SUNIS) (for single motor)	€ 621	pcs
FS29-1S	Sun Sensor (SUNIS) (for synchronized motor)	€ 990	pcs
FS29-2	Wind Sensor (EOLIS RTS) (for single motor)	€ 293	pcs
FS29-2S	Wind Sensor (EOLIS RTS) (for synchronized motor)	€ 658	pcs
FS29-3	Sun and Wind Sensor (SOLIRIS RTS) (for single motor)	€ 331	pcs
FS29-3S	Sun and Wind Sensor (SOLIRIS RTS) (for synchronized motor)	€ 696	pcs
FS29-4 <sup>2/3</sup>	Rain Sensor (ONDEIS) (for single motor)	€ 574	pcs
FS29-4S <sup>2/3</sup>	Rain Sensor (ONDEIS) (for synchronized motor)	€ 938	pcs
FS30	CONNEXOON	€ 525	pcs

### Notes:

1. Fabric support profiles can be painted in the same color as the general construction. No fee is paid for this process. However, the plastic color should be specified from our standard plastic colours in Palmiye Color Chart.
2. For one product, a dry contact transmitter costing 368€, must be added.
3. Up to 5 products, a RS485 Automation interface dry contact transmitter costing 1126€, must be added.

## EXTENSIONS

Rail	Plus - 120x150mm	€ 337	lm
Beam	Al. 100x150mm	€ 155	lm
Beam	St. 100x150x3mm	€ 320	lm
Beam	St. 100x150x5mm	€ 388	lm
Beam	St. 100x200x3mm	€ 325	lm
Beam	St. 100x200x5mm	€ 462	lm
Fabric protection cover	Al. - 63x__cm	€ 60	m <sup>2</sup>
Gutter	Special Profile	€ 45	lm



- The front beam can not be produced in steel.
- Ground flanges are 380x380x15 mm.
- When pillar reduction is applied, half pillar must be installed at the back of each rail shaft, and steel back pillars and back beam should be 150x150 mm.
- In condition of adding an additional rail, a steel 150x150 mm back pillar should also be added.

## PRICE DIFFERENCE

PILLAR GROUP			
Pillar	Standard	St. 150x150x3mm	
	to	St. 150x150x5mm	€ 535 pcs

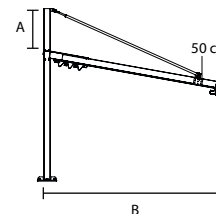
## STANDARD CONSTRUCTION

		WIDTH																					
		250	300	350	400	450	500	550	600	650	700	750	800	850	900	950	1000	1050	1100	1150	1200	1250	1300
PROJECTION	200 cm																						
	250 cm																						
	300 cm																						
	350 cm																						
	400 cm																						
	450 cm																						
	500 cm																						
550 cm																							
600 cm																							

**Pillars & Back Beam**  
 150x150x3mm Steel  
 150x150x5mm Steel

\* In case of reducing middle pillars, distance between the pillars can be maximum 600 cm.

\*\* Steel with a wall thickness of 5 mm must be used in all cases where the pillar is reduced.



## MINIMUM "A" VALUES

B (cm)	250	300	350	400	450	500	550	600
A (cm)	50	50	50	60	70	80	90	100

Upper values will be evaluated on a project basis.

- Max. pillar length: 480 cm

# SILVER

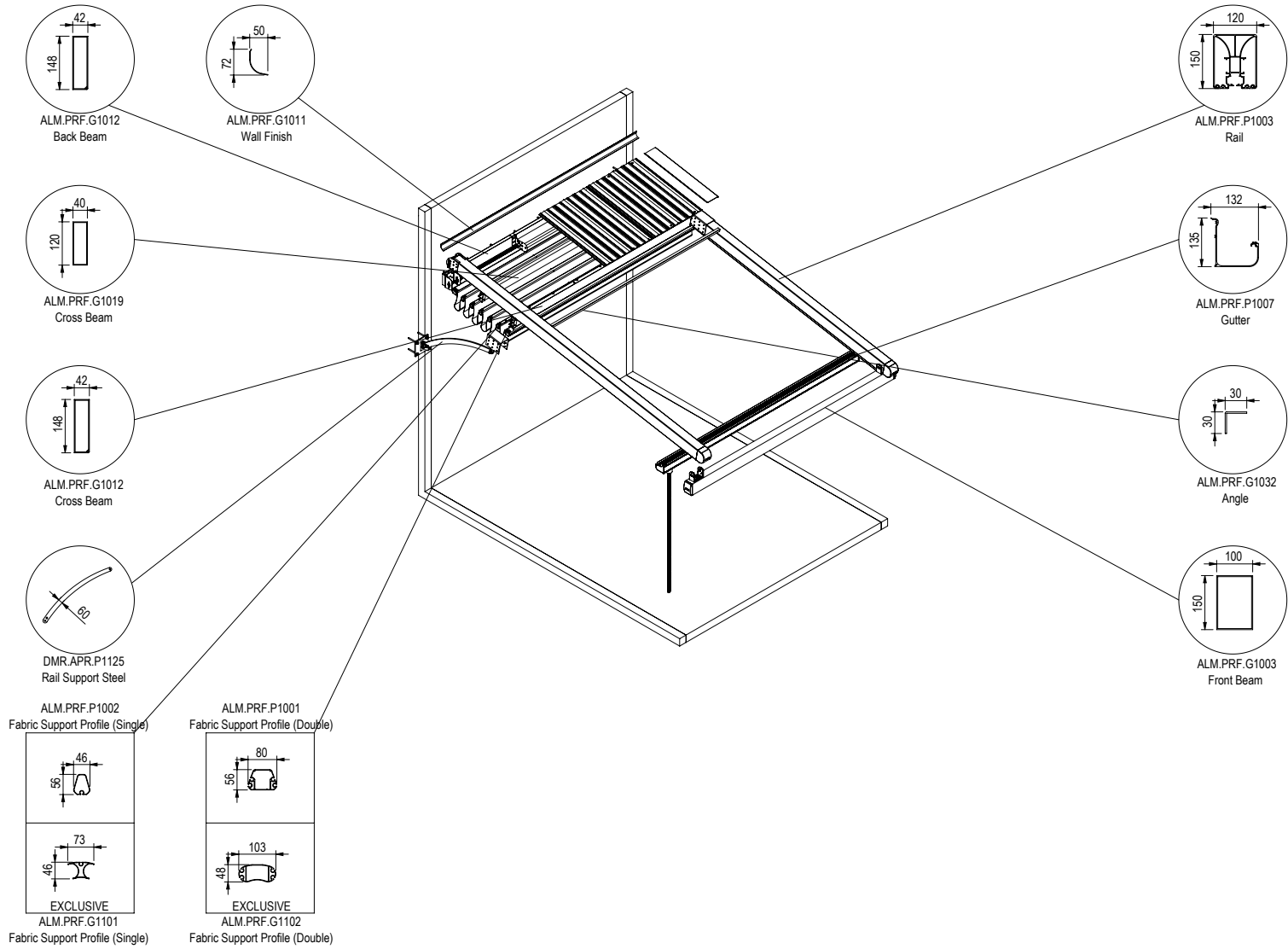
## Hanging

### Wall / Ceiling with Buttress



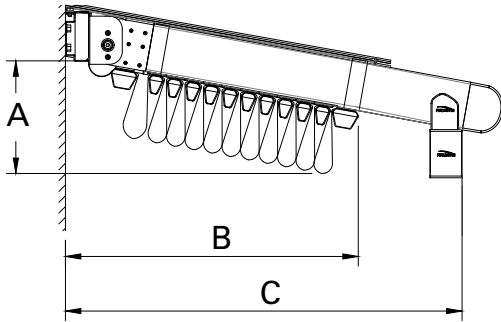
#### MAXIMUM DIMENSIONS

	WIDTH	PROJECTION
2 RAILS	450 cm	400 cm



# TECHNICAL FEATURES

## COLLECTED FABRIC DIMENSIONS



No of Fabric Support Profiles	Projection cm				
	185	235	284	334	383
4	26				36
5		27			42
6			27		48
7				28	54
8					29

← A → B

\*Calculated according to a slope of 15%

## DRAINAGE CALCULATION

Type	Max. m <sup>2</sup>
Full	39 m <sup>2</sup> /pc

\* per drainage

There should be at least one drainage, each 8 m length gutter.

## MINIMUM SLOPE CHART

Slope	6,4-7,9%	7,4-8,8%	8,4-9,7%	9,4-10,8%	10,4-12%	11,2-12,7%	12-13,4%	13-14,5%	14-15,7%	15-16,6%	16-17,6%
Rail Center											
	200	225	250	275	300	325	350	375	400	425	450
250	16	19	21	24	26	28	30	33	35	38	40
300	20	23	26	29	31	34	37	40	42	45	48
350	23	27	30	34	37	40	43	46	49	53	56
400	27	31	35	39	42	46	49	53	57	61	64

\*Note: Max. slope can be up to 25%

## WIND RESISTANCE

PROJECTION	WIDTH				
	250	300	350	400	450
200	11	11	11	11	11
250	11	11	11	11	11
300	11	11	11	11	11
350	11	11	10	10	10
400	10	10	10	9	9

All sides open

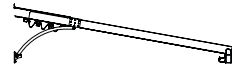
\*The values are given according to the Beaufort scale.

\*\*Calculated for Products with a front height of 250 cm according to Eurocode EN 1991-1-4 Terrain Category 4.

\*\*\* You can ask for new calculations for special designs.

# SILVER

## Hanging Wall / Ceiling with Buttress



Projection	Width				
	250 cm	300 cm	350 cm	400 cm	450 cm
<b>2 RAILS</b>					
200 cm	€ 7.644	€ 8.018	€ 8.542	€ 9.077	€ 9.449
250 cm	€ 7.979	€ 8.551	€ 9.064	€ 9.449	€ 9.833
300 cm	€ 8.566	€ 9.206	€ 9.782	€ 10.237	€ 10.688
350 cm	€ 9.102	€ 9.564	€ 10.153	€ 10.806	€ 11.270
400 cm	€ 9.448	€ 9.925	€ 10.525	€ 11.193	€ 11.668
FS3	€ 241	€ 252	€ 275	€ 302	€ 327
FS5-A	€ 44	€ 56	€ 65	€ 75	€ 87
FS5-E	€ 61	€ 77	€ 90	€ 103	€ 119

FS3	Gutter System
FS5-A	Additional Fabric Support Profile (Standard)
FS5-E	Additional Fabric Support Profile (3 Axis)
FS8	Lighting System

FS8	
FS8-S	SPOT
FS8-L	LINEAR
FS8-LR (RGB)	LINEAR (RGB)

LED TYPE & MODULE		
2 LED	3 LED	4 LED
€ 136	€ 165	€ 194
€ 194	€ 252	
€ 247	€ 320	

### Notes:

1. Any Side Beam is not included in the price.
2. Modules can not be combined.
3. FS Flexy Plain/3D or Stam 6002 is included in the price.
4. Motor and Remote control is included in the price.
5. Palmiye Aluminium Coating Catalogue includes the standard colours with no extra cost. For any other type/brand/color of paint, price difference and additional delivery duration shall be checked from your customer representative.
6. Standard fabric support profile plastic colours are specified in Palmiye Aluminium Coating Catalogue.

## OPTIONS

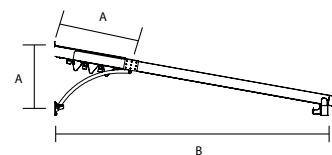
FS11	Deco ceiling cover	€ 72	m <sup>2</sup>
FS19	Fix louver	€ 75	lm
FS24	W96 Ceiling Cover	€ 84	m <sup>2</sup>
FS26	Exclusive fabric difference (up to 800cm width)	€ 49	m <sup>2</sup>
FS28-1	Stainless steel chain - 100 cm	€ 79	1m
FS28-2	Stainless steel chain - 200 cm	€ 153	2m
FS28-3	Stainless steel chain - 300 cm	€ 224	3m
FS28-4	Stainless steel chain - 400 cm	€ 298	4m
FS29-1	Sun Sensor (SUNIS) (for single motor)	€ 621	pcs
FS29-2	Wind Sensor (EOLIS RTS) (for single motor)	€ 293	pcs
FS29-3	Sun and Wind Sensor (SOLIRIS RTS) (for single motor)	€ 331	pcs
FS29-4 <sup>2</sup>	Rain Sensor (ONDEIS) (for single motor)	€ 574	pcs
FS30	CONNEXOON	€ 525	pcs

## EXTENSIONS

Rail	Plus - 120x150mm	€ 337	lm
Beam	Al. 42x150mm	€ 105	lm
Beam	Al. 50x150mm	€ 186	lm
Beam	Al. 100x150mm	€ 155	lm
Beam	St. 100x150x3mm	€ 320	lm
Beam	St. 100x150x5mm	€ 388	lm
Beam	St. 100x200x3mm	€ 325	lm
Beam	St. 100x200x5mm	€ 462	lm
Fabric protection cover	Al. - 63x__cm	€ 60	m <sup>2</sup>
Gutter	Special Profile	€ 45	lm

## PRICE DIFFERENCE

		BEAM GROUP	
Standard			
Back Beam to	Al. 42x150mm		
	Al. 50x150mm	€ 81	lm
	St. 50x150x3mm	€ 104	lm
	St. 50x150x5mm	€ 192	lm
	Al. 100x150mm	€ 48	lm
	St. 100x150x3mm	€ 210	lm
	St. 100x150x5mm	€ 285	lm
	St. 100x200x3mm	€ 215	lm
	St. 100x200x5mm	€ 359	lm



## STANDARD "A" VALUES

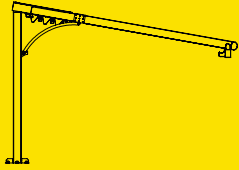
<b>B (cm)</b>	250	300	350	400
<b>A (cm)</b>	70	80	90	100

### Notes:

1. Fabric support profiles can be painted in the same color as the general construction. No fee is paid for this process. However, the plastic color should be specified from our standard plastic colours in Palmiye Color Chart.
2. For one product, a dry contact transmitter costing 368€, must be added.
3. Up to 5 products, a RS485 Automation interface dry contact transmitter costing 1126€, must be added.

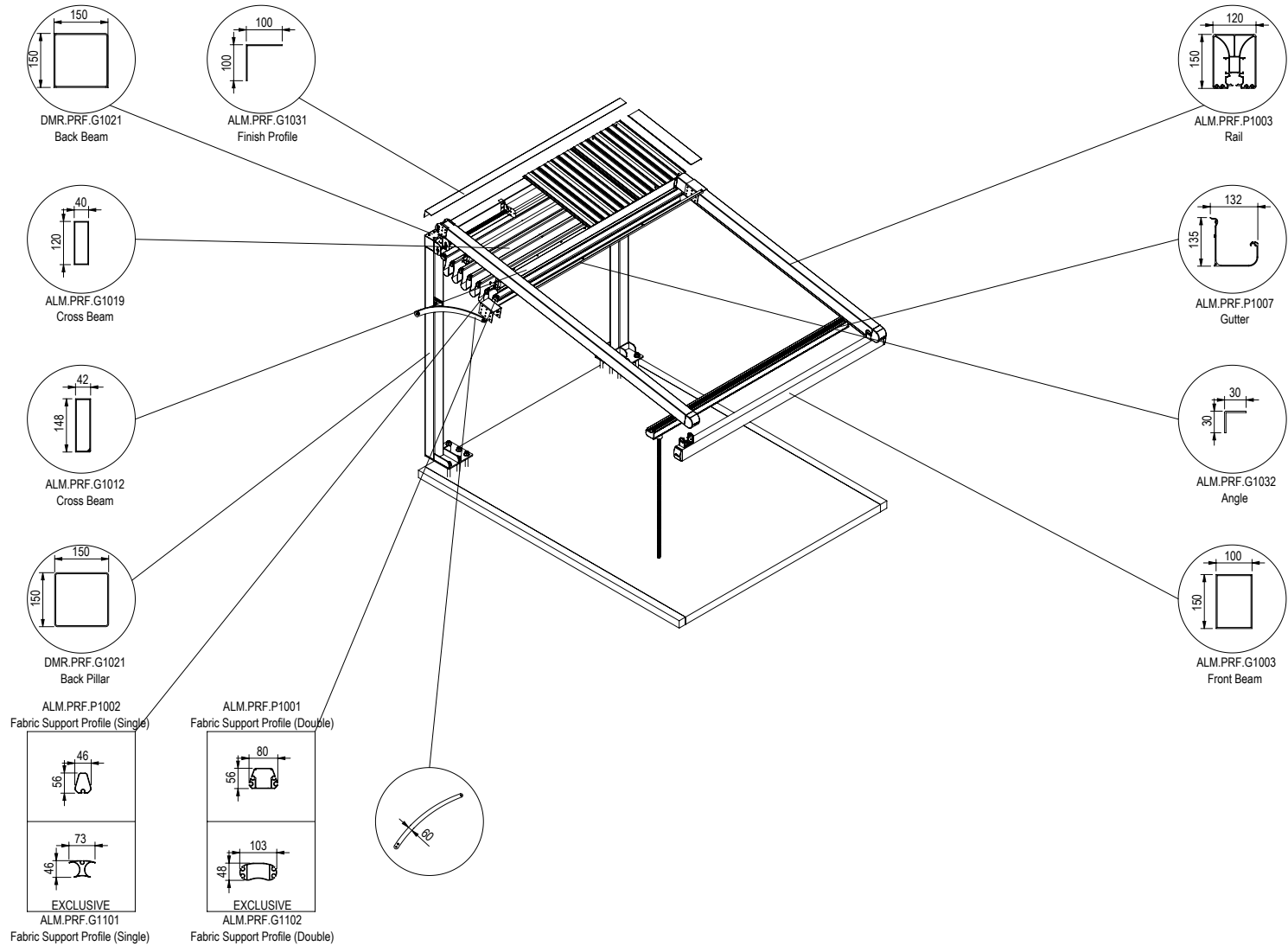
# SILVER

## Hanging Freestanding with Buttress



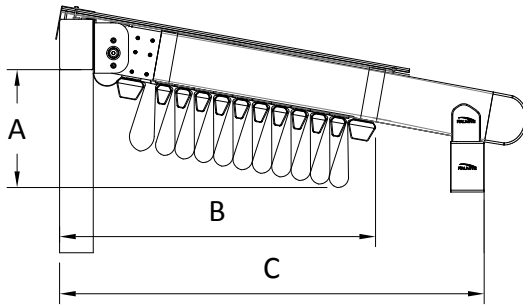
### MAXIMUM DIMENSIONS

	WIDTH	PROJECTION
2 RAILS	450 cm	400 cm



# TECHNICAL FEATURES

## COLLECTED FABRIC DIMENSIONS



No of Fabric Support Profiles	Projection cm				
	185	235	284	334	383
4	35				66
5		36			73
6			37		79
7				38	86
8					92

\*Calculated according to a slope of 15%

## DRAINAGE CALCULATION

Type	Max. m <sup>2</sup>
Full	39 m <sup>2</sup> /pc

\* per drainage

There should be at least one drainage, each 8 m length gutter.

## MINIMUM SLOPE CHART

Projection	Slope										
	6,4-7,9%	7,4-8,8%	8,4-9,7%	9,4-10,8%	10,4-12%	11,2-12,7%	12-13,4%	13-14,5%	14-15,7%	15-16,6%	16-17,6%
	Rail Center										
	200	225	250	275	300	325	350	375	400	425	450
250	16	19	21	24	26	28	30	33	35	38	40
300	20	23	26	29	31	34	37	40	42	45	48
350	23	27	30	34	37	40	43	46	49	53	56
400	27	31	35	39	42	46	49	53	57	61	64

\*Note: Max. slope can be up to 25%

## WIND RESISTANCE

PROJECTION	WIDTH				
	250	300	350	400	450
200	11	11	11	11	11
250	11	11	11	11	11
300	11	11	11	11	11
350	11	11	10	10	10
400	10	10	10	9	9

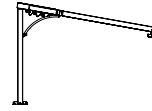
All sides open

\*The values are given according to the Beaufort scale.

\*\*Calculated for Products with a front height of 250 cm according to Eurocode EN 1991-1-4 Terrain Category 4.

\*\*\* You can ask for new calculations for special designs.

# SILVER Hanging Freestanding with Buttress



Projection	Width				
	2 RAILS				
	250 cm	300 cm	350 cm	400 cm	450 cm
200 cm	€ 8.885	€ 9.251	€ 9.763	€ 10.286	€ 10.650
250 cm	€ 9.213	€ 9.772	€ 10.273	€ 10.650	€ 11.025
300 cm	€ 9.787	€ 10.412	€ 10.976	€ 11.420	€ 11.861
350 cm	€ 10.310	€ 10.762	€ 11.338	€ 11.976	€ 12.429
400 cm	€ 10.648	€ 11.115	€ 11.702	€ 12.354	€ 12.819

FS3	€ 241	€ 252	€ 275	€ 302	€ 327
FS5-A	€ 44	€ 56	€ 65	€ 75	€ 87
FS5-E	€ 61	€ 77	€ 90	€ 103	€ 119

FS3	Gutter System
FS5-A	Additional Fabric Support Profile (Standard)
FS5-E	Additional Fabric Support Profile (3 Axis)
FS8	Lighting System

FS8	
FS8-S	SPOT
FS8-L	LINEAR
FS8-LR (RGB)	LINEAR (RGB)

LED TYPE & MODULE		
2 LED	3 LED	4 LED
€ 136	€ 165	€ 194
€ 194	€ 252	
€ 247	€ 320	

## Notes:

1. Any Side Beam is not included in the price.
2. Modules can not be combined.
3. FS Flexy Plain/3D or Stam 6002 is included in the price.
4. Motor and Remote control is included in the price.
5. Palmiye Aluminium Coating Catalogue includes the standard colours with no extra cost. For any other type/brand/color of paint, price difference and additional delivery duration shall be checked from your customer representative.
6. Standard fabric support profile plastic colours are specified in Palmiye Aluminium Coating Catalogue.
7. In pergolas including steel front pillars, if gutter option is preferred, external water drainage points will be specified according to the Project and will be priced additionally.

## DEDUCTIONS

Price deduction is applicable only for back pillars and back beam. Deduction amount shall be consider as 70% of related option price.

## OPTIONS

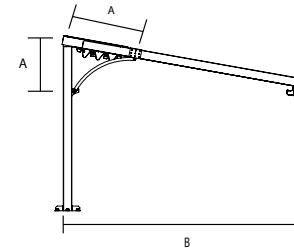
FS10-150ST3	Extra pillar (150x150x3mm St.)	€ 980	pcs
FS10-150ST5	Extra pillar (150x150x5mm St.)	€ 1.370	pcs
FS11	Deco ceiling cover	€ 72	m <sup>2</sup>
FS15	Side beam pillar (50x100mm - Al)	€ 284	pcs
FS15-B	Side beam pillar (100x100mm - Al)	€ 548	pcs
FS19	Fix louver	€ 75	lm
FS24	W96 Ceiling Cover	€ 84	m <sup>2</sup>
FS26	Exclusive fabric difference (up to 800cm width)	€ 49	m <sup>2</sup>
FS28-1	Stainless steel chain - 100 cm	€ 79	1m
FS28-2	Stainless steel chain - 200 cm	€ 153	2m
FS28-3	Stainless steel chain - 300 cm	€ 224	3m
FS28-4	Stainless steel chain - 400 cm	€ 298	4m
FS29-1	Sun Sensor (SUNIS) (for single motor)	€ 621	pcs
FS29-2	Wind Sensor (EOLIS RTS) (for single motor)	€ 293	pcs
FS29-3	Sun and Wind Sensor (SOLIRIS RTS) (for single motor)	€ 331	pcs
FS29-42	Rain Sensor (ONDEIS) (for single motor)	€ 574	pcs
FS30	CONNEXOON	€ 525	pcs

### Notes:

1. Fabric support profiles can be painted in the same color as the general construction. No fee is paid for this process. However, the plastic color should be specified from our standard plastic colours in Palmiye Color Chart.
2. For one product, a dry contact transmitter costing 368€, must be added.
3. Up to 5 products, a RS485 Automation interface dry contact transmitter costing 1126€, must be added.

## EXTENSIONS

Rail	Plus - 120x150mm	€ 337	lm
Beam	Al. 42x150mm	€ 105	lm
Beam	Al. 50x150mm	€ 186	lm
Beam	Al. 100x150mm	€ 155	lm
Beam	St. 100x150x3mm	€ 320	lm
Beam	St. 100x150x5mm	€ 388	lm
Beam	St. 100x200x3mm	€ 325	lm
Beam	St. 100x200x5mm	€ 462	lm
Fabric protection cover	Al. - 63x___cm	€ 60	m <sup>2</sup>
Gutter	Special Profile	€ 45	lm



- Max. pillar length: 480 cm

### STANDARD "A" VALUES

<b>B (cm)</b>	250	300	350	400
<b>A (cm)</b>	70	80	90	100

- This model includes 3m steel back beam and pillars.
- The front beam can not be produced in steel.
- Ground flanges are 380x380x15 mm.

## PRICE DIFFERENCE

Pillar	PILLAR GROUP		
	Standard	St. 150x150x3mm	
to	St. 150x150x5mm	€ 535	pcs

# SILVER

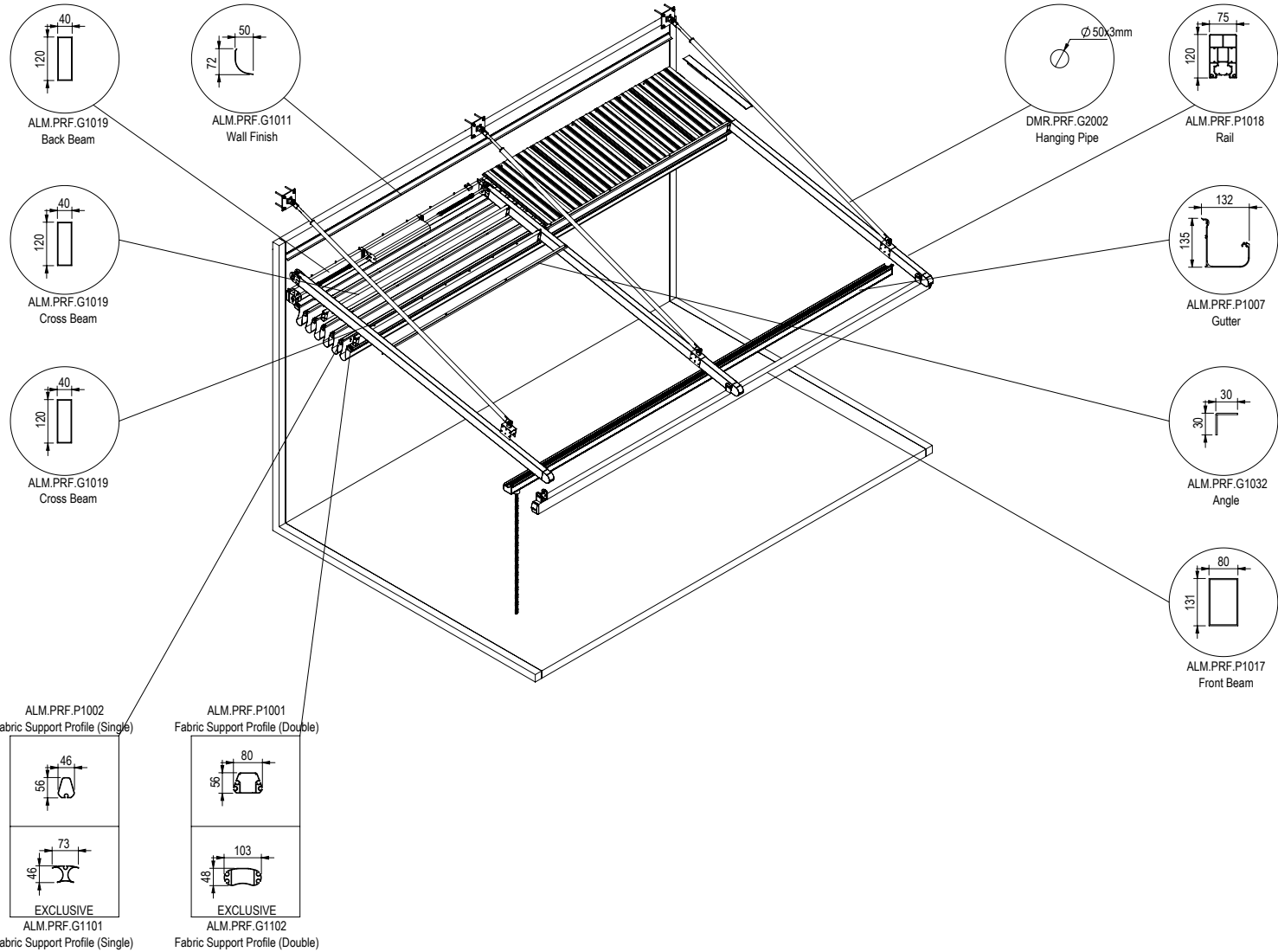
## Compact

### Hanging Wall / Ceiling



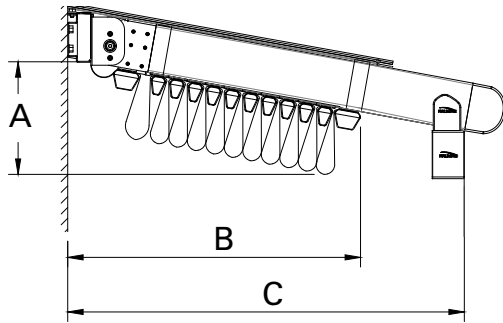
#### MAXIMUM DIMENSIONS

	WIDTH	PROJECTION
2 RAILS	450 cm	600 cm
3 RAILS	900 cm	600 cm
4 RAILS	1300 cm	600 cm



# TECHNICAL FEATURES

## COLLECTED FABRIC DIMENSIONS



TILTED VERSION Projection cm

No of Fabric Support Profiles	185	235	284	334	383	433	482	532	581	C
4	34									61
5		35								68
6			36							74
7				37						81
8					38					87
9						39				94
10							40			100
11								41		107
13									43	120

\*Calculated according to a slope of 15%

## DRAINAGE CALCULATION

Type	Max. m <sup>2</sup>
Compact	30 m <sup>2</sup> /pc

\* per drainage

There should be at least one drainage, each 8 m length gutter.

## MINIMUM SLOPE CHART

Projection	Slope										
	6,4-7,9%	7,4-8,8%	8,4-9,7%	9,4-10,8%	10,4-12%	11,2-12,7%	12-13,4%	13-14,5%	14-15,7%	15-16,6%	16-17,6%
	Rail Center										
	200	225	250	275	300	325	350	375	400	425	450
250	11	14	16	19	21	23	25	28	30	33	35
300	15	18	21	24	26	29	32	35	37	40	43
350	18	22	25	29	32	35	38	41	44	48	51
400	22	26	30	34	37	41	44	48	52	56	59
450	27	31	35	39	43	47	51	55	59	64	68
500	31	36	40	45	49	54	58	63	67	72	76
550	35	40	45	50	55	60	65	70	75	80	85
600	39	45	50	56	61	67	72	78	83	89	94

\*Note: Max. slope can be up to 25%

For back height of system 25 cm should be added to slope value.

## WIND RESISTANCE

PROJECTION (cm)	WIDTH (cm)																	
	450	500	550	600	650	700	750	800	850	900	950	1000	1050	1100	1150	1200	1250	1300
400	10	10	10	9	9	9	8	8	8	7	9	9	9	8	8	8	8	7
450	10	9	8	8	8	8	7	7	7	7	8	8	8	7	7	7	7	7
500	9	8	7	7	7	7	6	6	6	6	7	7	7	6	6	6	6	6
550	8	7	7	7	7	6	6	6	6	6	7	6	6	6	6	6	6	6
600	7	6	6	6	6	5	5	5	5	5	6	5	5	5	5	5	5	5

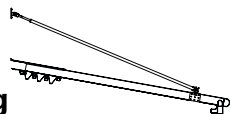
All sides open

\*The values are given according to the Beaufort scale.

\*\*Calculated for Products with a front height of 250 cm according to Eurocode EN 1991-1-4 Terrain Category 4.

\*\*\* You can ask for new calculations for special designs.

# SILVER Compact Hanging Wall / Ceiling



Projection	Width																				FS4	FS9-C		
	2 RAILS					3 RAILS										4 RAILS								
	250 cm	300 cm	350 cm	400 cm	450 cm	500 cm	550 cm	600 cm	650 cm	700 cm	750 cm	800 cm	850 cm	900 cm	950 cm	1000 cm	1050 cm	1100 cm	1150 cm	1200 cm	1250 cm	1300 cm		
200 cm	€ 6.194	€ 6.495	€ 6.916	€ 7.349	€ 7.648	€ 8.982	€ 9.274	€ 9.565	€ 10.121	€ 10.366	€ 10.568	€ 10.856	€ 11.146	€ 11.434	€ 12.901	€ 13.186	€ 13.472	€ 13.760	€ 14.046	€ 14.267	€ 14.650	€ 15.096	€ 977	€ 200
250 cm	€ 6.458	€ 6.920	€ 7.332	€ 7.642	€ 7.949	€ 9.410	€ 9.874	€ 10.173	€ 10.581	€ 10.836	€ 11.047	€ 11.504	€ 11.964	€ 12.100	€ 13.517	€ 13.812	€ 14.269	€ 14.562	€ 14.858	€ 15.088	€ 15.485	€ 15.937	€ 1.079	€ 241
300 cm	€ 6.928	€ 7.442	€ 7.906	€ 8.271	€ 8.632	€ 10.280	€ 10.796	€ 11.152	€ 11.616	€ 11.919	€ 12.186	€ 12.697	€ 13.212	€ 13.406	€ 14.970	€ 15.322	€ 15.833	€ 16.181	€ 16.532	€ 16.807	€ 17.255	€ 17.762	€ 1.181	€ 283
350 cm	€ 7.352	€ 7.723	€ 8.196	€ 8.722	€ 9.092	€ 10.879	€ 11.247	€ 11.771	€ 12.246	€ 12.555	€ 12.834	€ 13.358	€ 13.887	€ 14.083	€ 15.917	€ 16.278	€ 16.641	€ 16.998	€ 17.516	€ 17.799	€ 18.257	€ 18.616	€ 1.283	€ 323
400 cm	€ 7.625	€ 8.007	€ 8.490	€ 9.025	€ 9.405	€ 11.317	€ 11.696	€ 12.230	€ 12.712	€ 13.032	€ 13.322	€ 13.852	€ 14.388	€ 14.602	€ 16.547	€ 16.920	€ 17.292	€ 17.659	€ 18.188	€ 18.476	€ 18.946	€ 19.314	€ 1.383	€ 366
450 cm	€ 7.906	€ 8.297	€ 8.789	€ 9.333	€ 9.724	€ 11.769	€ 12.158	€ 12.703	€ 13.195	€ 13.522	€ 13.823	€ 14.362	€ 14.909	€ 15.131	€ 17.195	€ 17.574	€ 17.954	€ 18.334	€ 18.873	€ 19.168	€ 19.647	€ 20.025	€ 1.485	€ 406
500 cm	€ 8.179	€ 8.580	€ 9.083	€ 9.637	€ 10.037	€ 12.211	€ 12.607	€ 13.163	€ 13.668	€ 13.999	€ 14.310	€ 14.862	€ 15.419	€ 15.649	€ 17.825	€ 18.216	€ 18.607	€ 18.994	€ 19.543	€ 19.846	€ 20.336	€ 20.723	€ 1.587	€ 448
550 cm	€ 8.452	€ 8.862	€ 9.377	€ 9.940	€ 10.349	€ 12.652	€ 13.056	€ 13.623	€ 14.141	€ 14.476	€ 14.796	€ 15.361	€ 15.930	€ 16.168	€ 18.456	€ 18.858	€ 19.260	€ 19.655	€ 20.212	€ 20.523	€ 21.024	€ 21.421	€ 1.689	€ 489
600 cm	€ 8.725	€ 9.145	€ 9.670	€ 10.243	€ 10.662	€ 13.094	€ 13.505	€ 14.083	€ 14.615	€ 14.953	€ 15.283	€ 15.861	€ 16.441	€ 16.686	€ 19.086	€ 19.500	€ 19.913	€ 20.315	€ 20.882	€ 21.200	€ 21.713	€ 22.119	€ 1.791	€ 531
FS3	€ 241	€ 252	€ 275	€ 302	€ 327	€ 352	€ 377	€ 402	€ 427	€ 452	€ 581	€ 606	€ 631	€ 656	€ 683	€ 708	€ 733	€ 758	€ 783	€ 808	€ 833	€ 858		
FS5-A	€ 44	€ 56	€ 65	€ 75	€ 87	€ 96	€ 108	€ 117	€ 129	€ 139	€ 150	€ 160	€ 171	€ 181	€ 192	€ 202	€ 214	€ 223	€ 235	€ 244	€ 256	€ 266		
FS5-E	€ 61	€ 77	€ 90	€ 103	€ 119	€ 132	€ 148	€ 162	€ 178	€ 191	€ 207	€ 220	€ 236	€ 249	€ 265	€ 278	€ 294	€ 307	€ 323	€ 336	€ 352	€ 366		

FS3	Gutter System
FS5-A	Additional Fabric Support Profile (Standard)
FS5-E	Additional Fabric Support Profile (3 Axis)
FS4	Additional Rail for Compact Series- Al. - 75x120mm
FS8	Lighting System
FS9-C	Side Beam for Compact Series- Al. - 80x130mm

FS8	
FS8-S	SPOT
FS8-L	LINEAR
FS8-LR (RGB)	LINEAR (RGB)

LED TYPE & MODULE		
2 LED	3 LED	4 LED
€ 136	€ 165	€ 194
€ 194	€ 252	
€ 247	€ 320	

### Notes:

1. Any Side Beam is not included in the price.
2. FS Flexy Plain/3D or Stam 6002 is included in the price.
3. Motor and Remote control is included in the price.
4. Palmiye Aluminium Coating Catalogue includes the standard colours with no extra cost. For any other type/brand/color of paint, price difference and additional delivery duration shall be checked from your customer representative.
5. Standard fabric support profile plastic colours are specified in Palmiye Aluminium Coating Catalogue.

## OPTIONS

FS11	Deco ceiling cover	€ 72	m <sup>2</sup>
FS15-C	Side beam pillar (80x80mm - Al)	€ 403	pcs
FS19	Fix louver	€ 75	lm
FS24	W96 Ceiling Cover	€ 84	m <sup>2</sup>
FS26	Exclusive fabric difference (up to 800cm width)	€ 49	m <sup>2</sup>
FS28-1	Stainless steel chain - 100 cm	€ 79	1m
FS28-2	Stainless steel chain - 200 cm	€ 153	2m
FS28-3	Stainless steel chain - 300 cm	€ 224	3m
FS28-4	Stainless steel chain - 400 cm	€ 298	4m
FS29-1	Sun Sensor (SUNIS) (for single motor)	€ 621	pcs
FS29-1S	Sun Sensor (SUNIS) (for synchronized motor)	€ 990	pcs
FS29-2	Wind Sensor (EOLIS RTS) (for single motor)	€ 293	pcs
FS29-2S	Wind Sensor (EOLIS RTS) (for synchronized motor)	€ 658	pcs
FS29-3	Sun and Wind Sensor (SOLIRIS RTS) (for single motor)	€ 331	pcs
FS29-3S	Sun and Wind Sensor (SOLIRIS RTS) (for synchronized motor)	€ 696	pcs
FS29-4 <sup>2/3</sup>	Rain Sensor (ONDEIS) (for single motor)	€ 574	pcs
FS29-4S <sup>2/3</sup>	Rain Sensor (ONDEIS) (for synchronized motor)	€ 938	pcs
FS30	CONNEXOON	€ 525	pcs

## EXTENSIONS

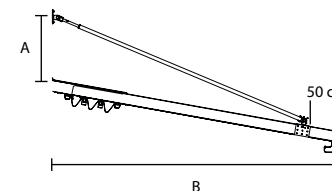
Rail	Compact - 75x120mm	€ 206	lm
Beam	Al. 40x120mm	€ 65	lm
Beam	Al. 42x150mm	€ 105	lm
Beam	Al. 50x150mm	€ 186	lm
Beam	Al. 80x130mm	€ 98	lm
Beam	Al. 100x150mm	€ 155	lm
Beam	St. 100x150x3mm	€ 320	lm
Beam	St. 100x150x5mm	€ 388	lm
Beam	St. 100x200x3mm	€ 325	lm
Beam	St. 100x200x5mm	€ 462	lm
Fabric protection cover	Al. - 63x___cm	€ 60	m <sup>2</sup>
Gutter	Special Profile	€ 45	lm

\*Max. St 3mm. Pillar (St. 100x100x3mm) height is 380cm

\*Max. St. 5mm Pillar (St. 100x100x5mm) height is 480cm

## PRICE DIFFERENCE

BEAM GROUP			
	Standard	Al. 40x120mm	
Back Beam to		Al. 42x150mm	€ 40 lm
		Al. 50x150mm	€ 122 lm
		Al. 80x130mm	€ 31 lm
		St. 50x150x3mm	€ 156 lm
		St. 50x150x5mm	€ 244 lm
		Al. 100x150mm	€ 89 lm
		St. 100x150x3mm	€ 262 lm
		St. 100x150x5mm	€ 336 lm
		St. 100x200x3mm	€ 266 lm
		St. 100x200x5mm	€ 410 lm



## MINIMUM "A" VALUES

B (cm)	250	300	350	400	450	500	550	600
A (cm)	50	50	50	60	70	80	90	100

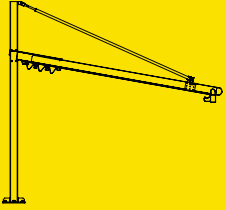
Upper values will be evaluated on a project basis.

### Notes:

1. Fabric support profiles can be painted in the same color as the general construction. No fee is paid for this process. However, the plastic color should be specified from our standard plastic colours in Palmiye Color Chart.
2. For one product, a dry contact transmitter costing 368€, must be added.
3. Up to 5 products, a RS485 Automation interface dry contact transmitter costing 1126€, must be added.

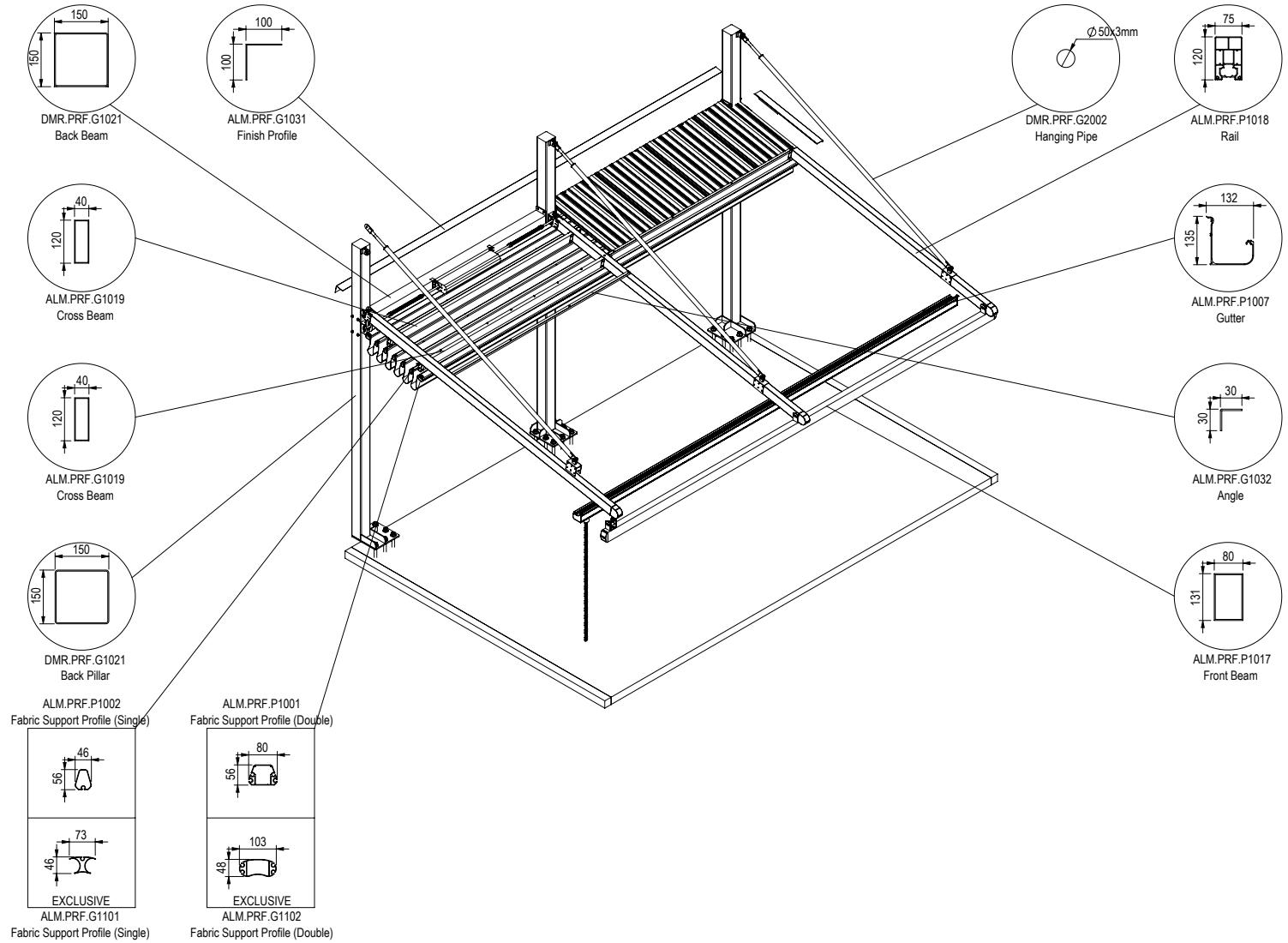
# SILVER Compact

## Hanging Freestanding



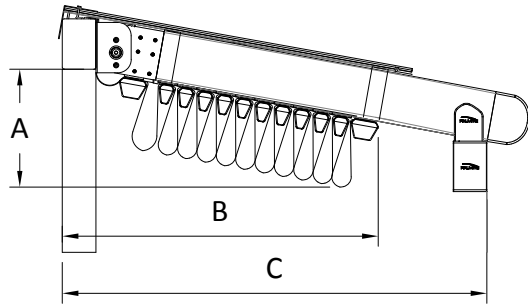
### MAXIMUM DIMENSIONS

	WIDTH	PROJECTION
2 RAILS	450 cm	600 cm
3 RAILS	900 cm	600 cm
4 RAILS	1300 cm	600 cm



# TECHNICAL FEATURES

## COLLECTED FABRIC DIMENSIONS



No of Fabric Support Profiles	TILTED VERSION										C
	Projection cm										
	185	235	284	334	383	433	482	532	581		
4	34										61
5		35									68
6			36								74
7				37							81
8					38						87
9						39					94
10							40				100
11								41			107
13										43	120

\*Calculated according to a slope of 15%

## DRAINAGE CALCULATION

Type	Max. m <sup>2</sup>
Compact	30 m <sup>2</sup> /pc

\* per drainage

There should be at least one drainage, each 8 m length gutter.

## MINIMUM SLOPE CHART

Projection	Slope										
	6,4-7,9%	7,4-8,8%	8,4-9,7%	9,4-10,8%	10,4-12%	11,2-12,7%	12-13,4%	13-14,5%	14-15,7%	15-16,6%	16-17,6%
	Rail Center										
	200	225	250	275	300	325	350	375	400	425	450
250	16	19	21	24	26	28	30	33	35	38	40
300	20	23	26	29	31	34	37	40	42	45	48
350	23	27	30	34	37	40	43	46	49	53	56
400	27	31	35	39	42	46	49	53	57	61	64
450	32	36	40	44	48	52	56	60	64	69	73
500	36	41	45	50	54	59	63	68	72	77	81
550	40	45	50	55	60	65	70	75	80	85	90
600	44	50	55	61	66	72	77	83	88	94	99

For back height of system 25 cm should be added to slope value.

\*Note: Max. slope can be up to 25%

## WIND RESISTANCE

PROJECTION (cm)	WIDTH (cm)																	
	450	500	550	600	650	700	750	800	850	900	950	1000	1050	1100	1150	1200	1250	1300
400	10	10	10	9	9	9	9	8	8	8	9	9	9	9	8	8	8	8
450	9	9	9	8	8	8	8	7	7	7	8	8	8	8	7	7	7	7
500	8	8	8	8	8	7	7	7	7	6	8	7	7	7	7	7	7	6
550	8	8	7	7	7	7	6	6	6	6	7	7	7	6	6	6	6	6
600	7	7	7	6	6	6	6	6	5	5	6	6	6	6	6	6	5	5

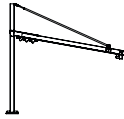
All sides open

\*The values are given according to the Beaufort scale.

\*\*Calculated for Products with a front height of 250 cm according to Eurocode EN 1991-1-4 Terrain Category 4.

\*\*\* You can ask for new calculations for special designs.

# SILVER Compact Hanging Freestanding



Projection	Width																				FS4	FS9-C		
	2 RAILS					3 RAILS									4 RAILS									
	250 cm	300 cm	350 cm	400 cm	450 cm	500 cm	550 cm	600 cm	650 cm	700 cm	750 cm	800 cm	850 cm	900 cm	950 cm	1000 cm	1050 cm	1100 cm	1150 cm	1200 cm	1250 cm	1300 cm		
200 cm	€ 7.640	€ 7.941	€ 8.362	€ 8.794	€ 9.093	€ 11.150	€ 11.442	€ 11.734	€ 12.289	€ 12.534	€ 12.736	€ 13.025	€ 13.315	€ 13.603	€ 15.792	€ 16.076	€ 16.363	€ 16.651	€ 16.937	€ 17.158	€ 17.541	€ 17.987	€ 977	€ 200
250 cm	€ 7.904	€ 8.366	€ 8.777	€ 9.088	€ 9.395	€ 11.578	€ 12.042	€ 12.342	€ 12.750	€ 13.004	€ 13.215	€ 13.672	€ 14.132	€ 14.269	€ 16.408	€ 16.703	€ 17.160	€ 17.453	€ 17.749	€ 17.979	€ 18.376	€ 18.828	€ 1.079	€ 241
300 cm	€ 8.373	€ 8.888	€ 9.352	€ 9.716	€ 10.077	€ 12.448	€ 12.965	€ 13.320	€ 13.784	€ 14.087	€ 14.355	€ 14.865	€ 15.380	€ 15.574	€ 17.861	€ 18.213	€ 18.724	€ 19.072	€ 19.423	€ 19.698	€ 20.145	€ 20.652	€ 1.181	€ 283
350 cm	€ 8.798	€ 9.168	€ 9.642	€ 10.167	€ 10.538	€ 13.047	€ 13.416	€ 13.939	€ 14.415	€ 14.723	€ 15.002	€ 15.526	€ 16.055	€ 16.252	€ 18.808	€ 19.169	€ 19.532	€ 19.889	€ 20.407	€ 20.690	€ 21.148	€ 21.507	€ 1.283	€ 323
400 cm	€ 9.071	€ 9.453	€ 9.935	€ 10.470	€ 10.850	€ 13.485	€ 13.865	€ 14.398	€ 14.880	€ 15.200	€ 15.490	€ 16.020	€ 16.557	€ 16.770	€ 19.438	€ 19.811	€ 20.183	€ 20.550	€ 21.079	€ 21.367	€ 21.837	€ 22.205	€ 1.383	€ 366
450 cm	€ 9.491	€ 9.910	€ 10.430	€ 11.003	€ 11.421	€ 14.217	€ 14.634	€ 15.206	€ 15.726	€ 16.082	€ 16.411	€ 16.978	€ 17.552	€ 17.802	€ 20.617	€ 21.024	€ 21.432	€ 21.840	€ 22.406	€ 22.730	€ 23.237	€ 23.643	€ 1.485	€ 406
500 cm	€ 9.764	€ 10.193	€ 10.724	€ 11.306	€ 11.734	€ 14.658	€ 15.083	€ 15.667	€ 16.200	€ 16.559	€ 16.897	€ 17.477	€ 18.063	€ 18.321	€ 21.247	€ 21.666	€ 22.085	€ 22.500	€ 23.076	€ 23.407	€ 23.925	€ 24.341	€ 1.587	€ 448
550 cm	€ 10.038	€ 10.475	€ 11.018	€ 11.609	€ 12.046	€ 15.100	€ 15.532	€ 16.127	€ 16.673	€ 17.036	€ 17.384	€ 17.977	€ 18.573	€ 18.839	€ 21.877	€ 22.308	€ 22.738	€ 23.160	€ 23.746	€ 24.084	€ 24.614	€ 25.038	€ 1.689	€ 489
600 cm	€ 10.311	€ 10.758	€ 11.311	€ 11.912	€ 12.359	€ 15.541	€ 15.981	€ 16.587	€ 17.146	€ 17.513	€ 17.870	€ 18.476	€ 19.084	€ 19.357	€ 22.508	€ 22.949	€ 23.391	€ 23.821	€ 24.416	€ 24.762	€ 25.302	€ 25.736	€ 1.791	€ 531
FS3	€ 241	€ 252	€ 275	€ 302	€ 327	€ 352	€ 377	€ 402	€ 427	€ 452	€ 581	€ 606	€ 631	€ 656	€ 683	€ 708	€ 733	€ 758	€ 783	€ 808	€ 833	€ 858		
FS5-A	€ 44	€ 56	€ 65	€ 75	€ 87	€ 96	€ 108	€ 117	€ 129	€ 139	€ 150	€ 160	€ 171	€ 181	€ 192	€ 202	€ 214	€ 223	€ 235	€ 244	€ 256	€ 266		
FS5-E	€ 61	€ 77	€ 90	€ 103	€ 119	€ 132	€ 148	€ 162	€ 178	€ 191	€ 207	€ 220	€ 236	€ 249	€ 265	€ 278	€ 294	€ 307	€ 323	€ 336	€ 352	€ 366		

FS3	Gutter System
FS5-A	Additional Fabric Support Profile (Standard)
FS5-E	Additional Fabric Support Profile (3 Axis)
FS4	Additional Rail for Compact Series- Al.- 75x120mm
FS8	Lighting System
FS9-C	Side Beam for Compact Series- Al.- 80x130mm

FS8	
FS8-S	SPOT
FS8-L	LINEAR
FS8-LR (RGB)	LINEAR (RGB)

LED TYPE & MODULE		
2 LED	3 LED	4 LED
€ 136	€ 165	€ 194
€ 194	€ 252	
€ 247	€ 320	

### Notes:

- Any Side Beam is not included in the price.
- FS Flexy Plain/3D or Stam 6002 is included in the price.
- Motor and Remote control is included in the price.
- Palmiye Aluminium Coating Catalogue includes the standard colours with no extra cost. For any other type/brand/color of paint, price difference and additional delivery duration shall be checked from your customer representative.
- Standard fabric support profile plastic colours are specified in Palmiye Aluminium Coating Catalogue.
- In pergolas including steel front pillars, if gutter option is preferred, external water drainage points will be specified according to the Project and will be priced additionally.

### DEDUCTIONS

Price deduction is applicable only for back pillars and back beam. Deduction amount shall be consider as 70% of related option price.

## OPTIONS

FS10-150ST3	Extra pillar (150x150x3mm St.)	€ 980	pcs
FS10-150ST5	Extra pillar (150x150x5mm St.)	€ 1.370	pcs
FS10-150ST5-H	Extra Half pillar (150x150x5mm St.)	€ 165	pcs
FS11	Deco ceiling cover	€ 72	m <sup>2</sup>
FS15-C	Side beam pillar (80x80mm - Al)	€ 403	pcs
FS19	Fix louver	€ 75	lm
FS24	W96 Ceiling Cover	€ 84	m <sup>2</sup>
FS26	Exclusive fabric difference (up to 800cm width)	€ 49	m <sup>2</sup>
FS28-1	Stainless steel chain - 100 cm	€ 79	1m
FS28-2	Stainless steel chain - 200 cm	€ 153	2m
FS28-3	Stainless steel chain - 300 cm	€ 224	3m
FS28-4	Stainless steel chain - 400 cm	€ 298	4m
FS29-1	Sun Sensor (SUNIS) (for single motor)	€ 621	pcs
FS29-1S	Sun Sensor (SUNIS) (for synchronized motor)	€ 990	pcs
FS29-2	Wind Sensor (EOLIS RTS) (for single motor)	€ 293	pcs
FS29-2S	Wind Sensor (EOLIS RTS) (for synchronized motor)	€ 658	pcs
FS29-3	Sun and Wind Sensor (SOLIRIS RTS) (for single motor)	€ 331	pcs
FS29-3S	Sun and Wind Sensor (SOLIRIS RTS) (for synchronized motor)	€ 696	pcs
FS29-42	Rain Sensor (ONDEIS) (for single motor)	€ 574	pcs
FS29-4S3	Rain Sensor (ONDEIS) (for synchronized motor)	€ 938	pcs
FS30	CONNEXOON	€ 525	pcs

### Notes:

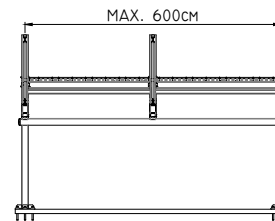
1. Fabric support profiles can be painted in the same color as the general construction. No fee is paid for this process. However, the plastic color should be specified from our standard plastic colours in Palmiye Color Chart.
2. For one product, a dry contact transmitter costing 368€, must be added.
3. Up to 5 products, a RS485 Automation interface dry contact transmitter costing 1126€, must be added.

## EXTENSIONS

Rail	Compact - 75x120mm	€ 206	lm
Beam	Al. 40x120mm	€ 65	lm
Beam	Al. 42x150mm	€ 105	lm
Beam	Al. 50x150mm	€ 186	lm
Beam	Al. 80x130mm	€ 98	lm
Beam	Al. 100x150mm	€ 155	lm
Beam	St. 100x150x3mm	€ 320	lm
Beam	St. 100x150x5mm	€ 388	lm
Beam	St. 100x200x3mm	€ 325	lm
Beam	St. 100x200x5mm	€ 462	lm
Fabric protection cover	Al. - 63x___cm	€ 60	m <sup>2</sup>
Gutter	Special Profile	€ 45	lm

## PRICE DIFFERENCE

Pillar	PILLAR GROUP		€ 535	pcs
	Standard	St. 150x150x3mm		
	to	St. 150x150x5mm		



- The front beam can not be produced in steel.
- Ground flanges are 380x380x15 mm.
- When pillar reduction is applied, half pillar must be installed at the back of each rail shaft, and steel back pillars and back beam should be 150x150 mm.
- In condition of adding an additional rail, a steel 150x150 mm back pillar should also be added.

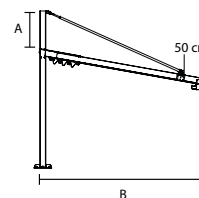
## STANDARD CONSTRUCTION

PROJECTION	WIDTH																							
	250	300	350	400	450	500	550	600	650	700	750	800	850	900	950	1000	1050	1100	1150	1200	1250	1300		
200 cm																								
250 cm																								
300 cm																								
350 cm																								
400 cm																								
450 cm																								
500 cm																								
550 cm																								
600 cm																								

Pillars & Back Beam  
 150x150x3mm Steel  
 150x150x5mm Steel

\* In case of reducing middle pillars, distance between the pillars can be maximum 600 cm.

\*\* Steel with a wall thickness of 5 mm must be used in all cases where the pillar is reduced.

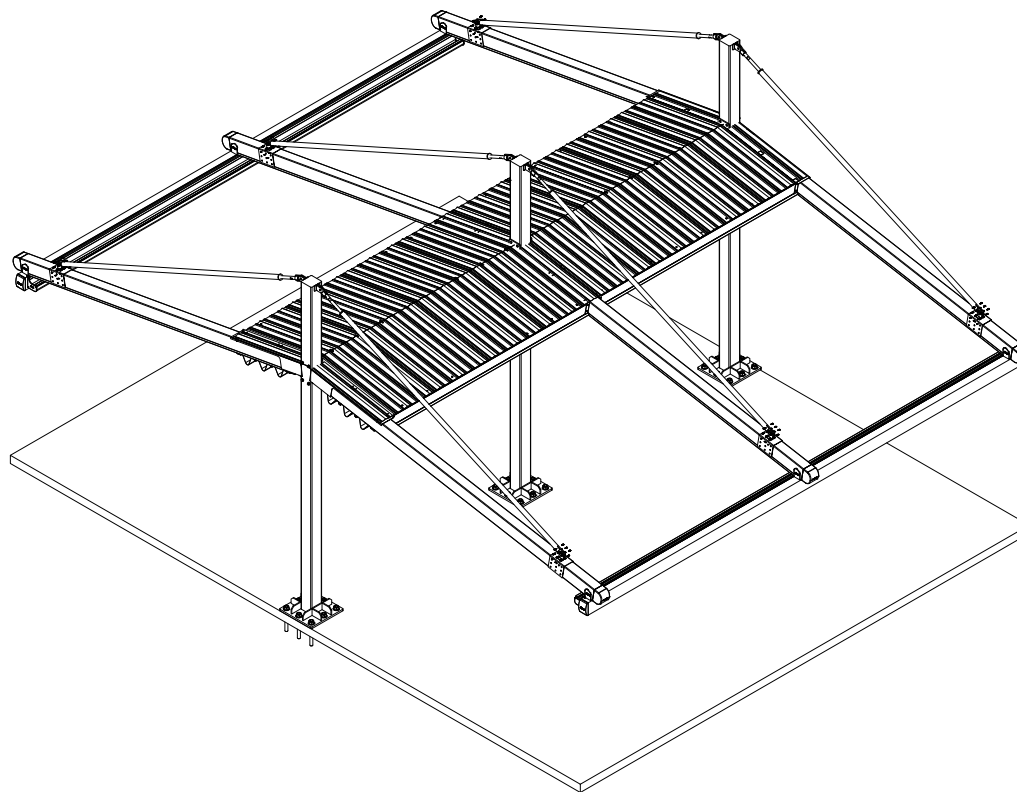


## MINIMUM "A" VALUES

B (cm)	250	300	350	400	450	500	550	600
A (cm)	50	50	50	60	70	80	90	100

Upper values will be evaluated on a project basis.

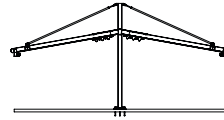
- Max. pillar length: 480 cm



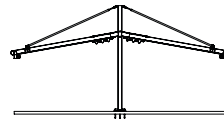
# SILVERTWIN HANGING

## PRODUCT FORMS

- **Silver Twin Hanging**

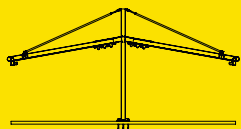


- **Silver Compact Twin Hanging**



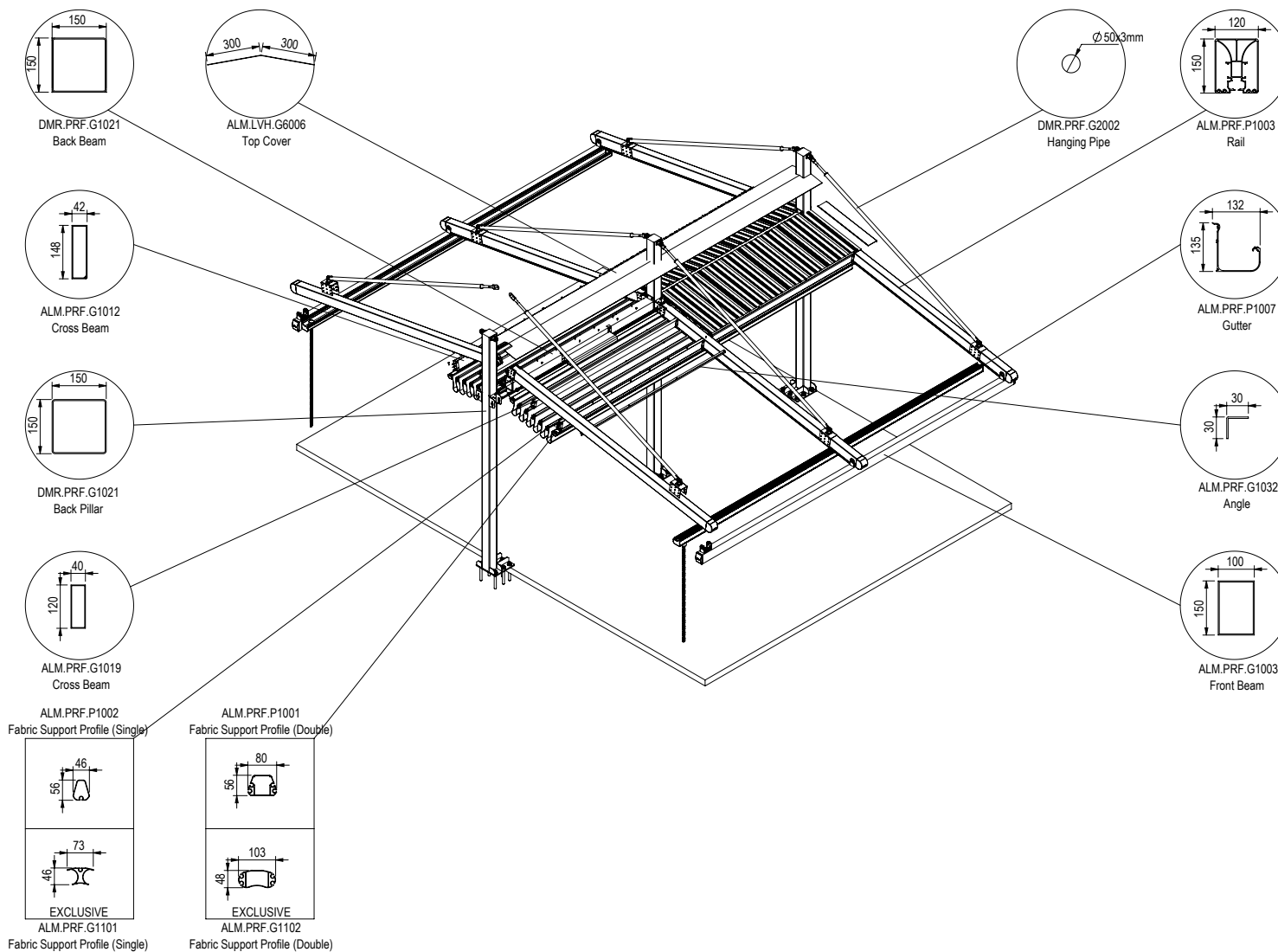
# SILVER

## Twin Hanging



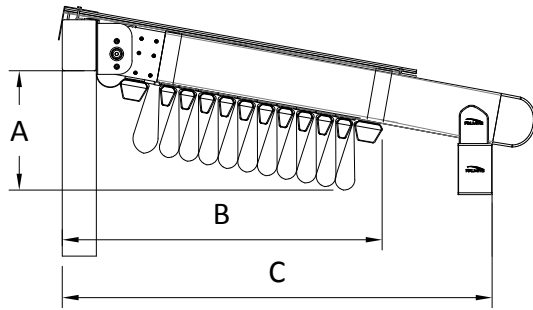
### MAXIMUM DIMENSIONS

	WIDTH	PROJECTION
2 RAILS	400 cm	1200 cm
3 RAILS	900 cm	1200 cm
4 RAILS	1300 cm	1200 cm



# TECHNICAL FEATURES

## COLLECTED FABRIC DIMENSIONS



		Projection cm										
		185	235	284	334	383	433	482	532	581		<b>C</b>
No of Fabric Support Profiles	4	35										66
	5		36									73
	6			37								79
	7				38							86
	8					39						92
	9						40					99
	10							41				105
	11								42			112
	12									43		118

\*Calculated according to a slope of 15%

## DRAINAGE CALCULATION

Type	Max. m <sup>2</sup>
Full	39 m <sup>2</sup> /pc

\* per drainage

There should be at least one drainage, each 8 m length gutter.

## MINIMUM SLOPE CHART

Projection	Slope										
	6,4-7,9%	7,4-8,8%	8,4-9,7%	9,4-10,8%	10,4-12%	11,2-12,7%	12-13,4%	13-14,5%	14-15,7%	15-16,6%	16-17,6%
	Rail Center										
	200	225	250	275	300	325	350	375	400	425	450
250	16	19	21	24	26	28	30	33	35	38	40
300	20	23	26	29	31	34	37	40	42	45	48
350	23	27	30	34	37	40	43	46	49	53	56
400	27	31	35	39	42	46	49	53	57	61	64
450	32	36	40	44	48	52	56	60	64	69	73
500	36	41	45	50	54	59	63	68	72	77	81
550	40	45	50	55	60	65	70	75	80	85	90
600	44	50	55	61	66	72	77	83	88	94	99

\*Note: Max. slope can be up to 25%

For back height of system 30 cm should be added to slope value.

## WIND RESISTANCE

PROJECTION (cm)	WIDTH (cm)																	
	450	500	550	600	650	700	750	800	850	900	950	1000	1050	1100	1150	1200	1250	1300
800	10	10	10	9	9	9	9	9	8	8	9	9	9	9	9	9	8	8
900	9	9	9	9	8	8	8	8	7	7	8	8	8	8	8	8	7	7
1000	8	8	8	8	7	7	7	7	6	6	7	7	7	7	7	7	6	6
1100	7	7	7	7	6	6	6	6	6	6	6	6	6	6	6	6	6	6
1200	7	6	6	6	6	6	6	6	5	5	6	6	6	6	6	6	5	5

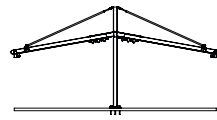
All sides open

\*The values are given according to the Beaufort scale.

\*\*Calculated for Products with a front height of 250 cm according to Eurocode EN 1991-1-4 Terrain Category 4.

\*\*\* You can ask for new calculations for special designs.

# SILVER Twin Hanging



Projection	2 RAILS					3 RAILS									4 RAILS									FS4	FS9	FS9-S
	250 cm	300 cm	350 cm	400 cm	450 cm	500 cm	550 cm	600 cm	650 cm	700 cm	750 cm	800 cm	850 cm	900 cm	950 cm	1000 cm	1050 cm	1100 cm	1150 cm	1200 cm	1250 cm	1300 cm				
400 cm	€ 14.759	€ 15.479	€ 16.491	€ 17.524	€ 18.244	€ 21.434	€ 22.137	€ 22.841	€ 24.177	€ 24.770	€ 25.262	€ 25.956	€ 26.655	€ 27.355	€ 30.874	€ 31.564	€ 32.262	€ 32.958	€ 33.656	€ 34.197	€ 35.128	€ 36.208	€ 1.678	€ 443	€ 644	
450 cm	€ 15.083	€ 15.995	€ 16.996	€ 17.885	€ 18.615	€ 21.958	€ 22.867	€ 23.580	€ 24.740	€ 25.342	€ 25.847	€ 26.745	€ 27.651	€ 28.169	€ 31.630	€ 32.333	€ 33.233	€ 33.940	€ 34.649	€ 35.199	€ 36.148	€ 37.237	€ 1.801	€ 493	€ 724	
500 cm	€ 15.404	€ 16.510	€ 17.498	€ 18.244	€ 18.983	€ 22.480	€ 23.593	€ 24.317	€ 25.301	€ 25.915	€ 26.433	€ 27.535	€ 28.642	€ 28.981	€ 32.382	€ 33.098	€ 34.202	€ 34.919	€ 35.643	€ 36.200	€ 37.164	€ 38.262	€ 1.924	€ 543	€ 805	
550 cm	€ 15.975	€ 17.146	€ 18.196	€ 19.007	€ 19.812	€ 23.535	€ 24.713	€ 25.505	€ 26.554	€ 27.228	€ 27.813	€ 28.981	€ 30.158	€ 30.564	€ 34.146	€ 34.930	€ 36.101	€ 36.883	€ 37.673	€ 38.286	€ 39.315	€ 40.477	€ 2.047	€ 593	€ 885	
600 cm	€ 16.545	€ 17.782	€ 18.895	€ 19.771	€ 20.641	€ 24.592	€ 25.834	€ 26.695	€ 27.808	€ 28.541	€ 29.196	€ 30.427	€ 31.673	€ 32.146	€ 35.908	€ 36.762	€ 38.000	€ 38.846	€ 39.704	€ 40.374	€ 41.467	€ 42.692	€ 2.170	€ 643	€ 966	
650 cm	€ 17.062	€ 18.128	€ 19.253	€ 20.321	€ 21.204	€ 25.320	€ 26.388	€ 27.450	€ 28.579	€ 29.319	€ 29.985	€ 31.233	€ 32.498	€ 32.975	€ 37.065	€ 37.929	€ 38.992	€ 39.848	€ 40.907	€ 41.588	€ 42.694	€ 43.743	€ 2.294	€ 693	€ 1.046	
700 cm	€ 17.580	€ 18.476	€ 19.614	€ 20.875	€ 21.769	€ 26.051	€ 26.943	€ 28.206	€ 29.353	€ 30.100	€ 30.779	€ 32.043	€ 33.327	€ 33.806	€ 38.221	€ 39.098	€ 39.983	€ 40.855	€ 42.112	€ 42.804	€ 43.923	€ 44.797	€ 2.417	€ 743	€ 1.127	
750 cm	€ 17.919	€ 18.826	€ 19.977	€ 21.249	€ 22.156	€ 26.592	€ 27.497	€ 28.773	€ 29.929	€ 30.689	€ 31.383	€ 32.657	€ 33.946	€ 34.449	€ 39.001	€ 39.891	€ 40.788	€ 41.672	€ 42.943	€ 43.644	€ 44.774	€ 45.661	€ 2.540	€ 793	€ 1.207	
800 cm	€ 18.255	€ 19.174	€ 20.338	€ 21.623	€ 22.543	€ 27.131	€ 28.049	€ 29.338	€ 30.506	€ 31.278	€ 31.983	€ 33.269	€ 34.565	€ 35.089	€ 39.777	€ 40.681	€ 41.590	€ 42.488	€ 43.771	€ 44.482	€ 45.625	€ 46.525	€ 2.663	€ 843	€ 1.288	
850 cm	€ 18.603	€ 19.535	€ 20.710	€ 22.008	€ 22.940	€ 27.690	€ 28.620	€ 29.924	€ 31.102	€ 31.886	€ 32.605	€ 33.901	€ 35.211	€ 35.746	€ 40.576	€ 41.493	€ 42.411	€ 43.324	€ 44.623	€ 45.339	€ 46.495	€ 47.408	€ 2.786	€ 893	€ 1.368	
900 cm	€ 18.949	€ 19.894	€ 21.082	€ 22.392	€ 23.337	€ 28.247	€ 29.192	€ 30.507	€ 31.699	€ 32.494	€ 33.226	€ 34.535	€ 35.858	€ 36.402	€ 41.375	€ 42.305	€ 43.233	€ 44.162	€ 45.472	€ 46.196	€ 47.365	€ 48.289	€ 2.909	€ 943	€ 1.449	
950 cm	€ 19.292	€ 20.248	€ 21.447	€ 22.772	€ 23.728	€ 28.796	€ 29.750	€ 31.078	€ 32.287	€ 33.087	€ 33.832	€ 35.154	€ 36.494	€ 37.048	€ 42.161	€ 43.102	€ 44.045	€ 44.984	€ 46.306	€ 47.042	€ 48.224	€ 49.161	€ 3.033	€ 993	€ 1.529	
1000 cm	€ 19.630	€ 20.600	€ 21.812	€ 23.148	€ 24.117	€ 29.342	€ 30.305	€ 31.647	€ 32.870	€ 33.680	€ 34.438	€ 35.774	€ 37.128	€ 37.693	€ 42.943	€ 43.899	€ 44.853	€ 45.803	€ 47.139	€ 47.885	€ 49.081	€ 50.031	€ 3.156	€ 1.043	€ 1.610	
1050 cm	€ 19.969	€ 20.951	€ 22.177	€ 23.524	€ 24.506	€ 29.888	€ 30.861	€ 32.215	€ 33.454	€ 34.273	€ 35.044	€ 36.393	€ 37.762	€ 38.339	€ 43.725	€ 44.696	€ 45.661	€ 46.623	€ 47.971	€ 48.729	€ 49.938	€ 50.901	€ 3.292	€ 1.095	€ 1.690	
1100 cm	€ 20.308	€ 21.303	€ 22.541	€ 23.900	€ 24.895	€ 30.434	€ 31.417	€ 32.784	€ 34.038	€ 34.866	€ 35.650	€ 37.012	€ 38.397	€ 38.984	€ 44.507	€ 45.493	€ 46.469	€ 47.442	€ 48.804	€ 49.573	€ 50.794	€ 51.771	€ 3.431	€ 1.145	€ 1.771	
1150 cm	€ 20.646	€ 21.655	€ 22.906	€ 24.276	€ 25.284	€ 30.981	€ 31.972	€ 33.353	€ 34.621	€ 35.459	€ 36.256	€ 37.631	€ 39.031	€ 39.629	€ 45.289	€ 46.290	€ 47.277	€ 48.261	€ 49.636	€ 50.417	€ 51.651	€ 52.641	€ 3.567	€ 1.197	€ 1.851	
1200 cm	€ 20.985	€ 22.006	€ 23.271	€ 24.652	€ 25.673	€ 31.527	€ 32.528	€ 33.922	€ 35.205	€ 36.052	€ 36.863	€ 38.251	€ 39.665	€ 40.275	€ 46.071	€ 47.087	€ 48.086	€ 49.081	€ 50.469	€ 51.260	€ 52.508	€ 53.511	€ 3.704	€ 1.247	€ 1.932	
FS3	€ 241	€ 252	€ 275	€ 302	€ 327	€ 352	€ 377	€ 402	€ 427	€ 452	€ 581	€ 606	€ 631	€ 656	€ 683	€ 708	€ 733	€ 758	€ 783	€ 808	€ 833	€ 858				
FS5-A	€ 44	€ 56	€ 65	€ 75	€ 87	€ 96	€ 108	€ 117	€ 129	€ 139	€ 150	€ 160	€ 171	€ 181	€ 192	€ 202	€ 214	€ 223	€ 235	€ 244	€ 256	€ 266				
FS5-E	€ 61	€ 77	€ 90	€ 103	€ 119	€ 132	€ 148	€ 162	€ 178	€ 191	€ 207	€ 220	€ 236	€ 249	€ 265	€ 278	€ 294	€ 307	€ 323	€ 336	€ 352	€ 366				

FS3	Gutter System (For One Side)
FS5-A	Additional Fabric Support Profile (Standard)
FS5-E	Additional Fabric Support Profile (3 Axis)
FS4	Additional Rail - Al.Plus- 120x150mm
FS8	Lighting System
FS9	Side Beam - Al. - 50x150mm
FS9-S	Side Beam - Al. - 100x150mm (Special)

FS8	
FS8-S	SPOT
FS8-L	LINEAR
FS8-LR (RGB)	LINEAR (RGB)

LEDTYPE & MODULE		
2 LED	3 LED	4 LED
€ 136	€ 165	€ 194
€ 194	€ 252	
€ 247	€ 320	

### Notes:

- Any Side Beam is not included in the price.
- FS Flexy Plain/3D or Stam 6002 is included in the price.
- Motor and Remote control is included in the price.
- Palmye Aluminium Coating Catalogue includes the standard colours with no extra cost. For any other type/brand/coulor of paint, price difference and additional delivery duration shall be checked from your customer representative.
- Standard fabric support profile plastic colours are specified in Palmye Aluminium Coating Catalogue.
- The gutter option price is for one side and must be added separately for each side.
- In pergolas including steel front pillars, if gutter option is preferred, external water drainage points will be specified according to the Project and will be priced additionally.

### DEDUCTIONS

Price deduction is applicable only for back pillars and back beam. Deduction amount shall be consider as 70% of related option price.

## OPTIONS

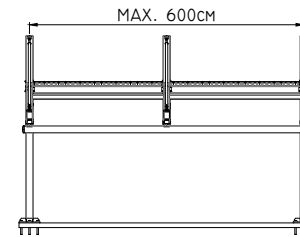
FS10-150ST3	Extra pillar (150x150x3mm St.)	€ 980	pcs
FS10-150ST5	Extra pillar (150x150x5mm St.)	€ 1.370	pcs
FS10-150ST5-H	Extra Half pillar (150x150x5mm St.)	€ 165	pcs
FS11	Deco ceiling cover	€ 72	m <sup>2</sup>
FS15	Side beam pillar (50x100mm - Al)	€ 284	pcs
FS15-B	Side beam pillar (100x100mm - Al)	€ 548	pcs
FS19	Fix louver	€ 75	lm
FS24	W96 Ceiling Cover	€ 84	m <sup>2</sup>
FS26	Exclusive fabric difference (up to 800cm width)	€ 49	m <sup>2</sup>
FS28-1	Stainless steel chain - 100 cm	€ 79	1m
FS28-2	Stainless steel chain - 200 cm	€ 153	2m
FS28-3	Stainless steel chain - 300 cm	€ 224	3m
FS28-4	Stainless steel chain - 400 cm	€ 298	4m
FS29-1	Sun Sensor (SUNIS) (for single motor)	€ 621	pcs
FS29-1S	Sun Sensor (SUNIS) (for synchronized motor)	€ 990	pcs
FS29-2	Wind Sensor (EOLIS RTS) (for single motor)	€ 293	pcs
FS29-2S	Wind Sensor (EOLIS RTS) (for synchronized motor)	€ 658	pcs
FS29-3	Sun and Wind Sensor (SOLIRIS RTS) (for single motor)	€ 331	pcs
FS29-3S	Sun and Wind Sensor (SOLIRIS RTS) (for synchronized motor)	€ 696	pcs
FS29-42	Rain Sensor (ONDEIS) (for single motor)	€ 574	pcs
FS29-4S3	Rain Sensor (ONDEIS) (for synchronized motor)	€ 938	pcs
FS30	CONNEXOON	€ 525	pcs

### Notes:

1. Fabric support profiles can be painted in the same color as the general construction. No fee is paid for this process. However, the plastic color should be specified from our standard plastic colours in Palmiye Color Chart.
2. For one product, a dry contact transmitter costing 368€, must be added.
3. Up to 5 products, a RS485 Automation interface dry contact transmitter costing 1126€, must be added.

## EXTENSIONS

Rail	Plus - 120x150mm	€ 337	lm
Beam	Al. 42x150mm	€ 105	lm
Beam	Al. 50x150mm	€ 186	lm
Beam	Al. 100x150mm	€ 155	lm
Beam	St. 100x150x3mm	€ 320	lm
Beam	St. 100x150x5mm	€ 388	lm
Beam	St. 100x200x3mm	€ 325	lm
Beam	St. 100x200x5mm	€ 462	lm
Fabric protection cover	Al. - 63x__cm	€ 60	m <sup>2</sup>
Gutter	Special Profile	€ 45	lm



- The front beam can not be produced in steel.
- Ground flanges are 380x380x15 mm.
- When pillar reduction is applied, half pillar must be installed at the back of each rail shaft, and steel back pillars and back beam should be 150x150 mm.
- In condition of adding an additional rail, a steel 150x150 mm back pillar should also be added.

## STANDARD CONSTRUCTION

PROJECTION	WIDTH																						
	250	300	350	400	450	500	550	600	650	700	750	800	850	900	950	1000	1050	1100	1150	1200	1250	1300	
200 cm																							
250 cm																							
300 cm																							
350 cm																							
400 cm																							
450 cm																							
500 cm																							
550 cm																							
600 cm																							

**Pillars & Back Beam**  
 150x150x3mm Steel  
 150x150x5mm Steel

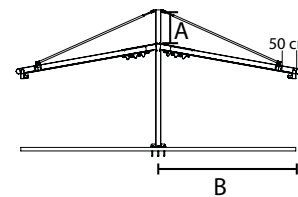
\* In case of reducing middle pillars, distance between the pillars can be maximum 600 cm.

\*\* Steel with a wall thickness of 5 mm must be used in all cases where the pillar is reduced.

## MINIMUM "A" VALUES

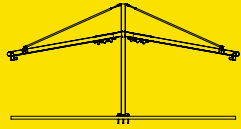
B (cm)	250	300	350	400	450	500	550	600
A (cm)	50	50	50	60	70	80	90	100

Upper values will be evaluated on a project basis.



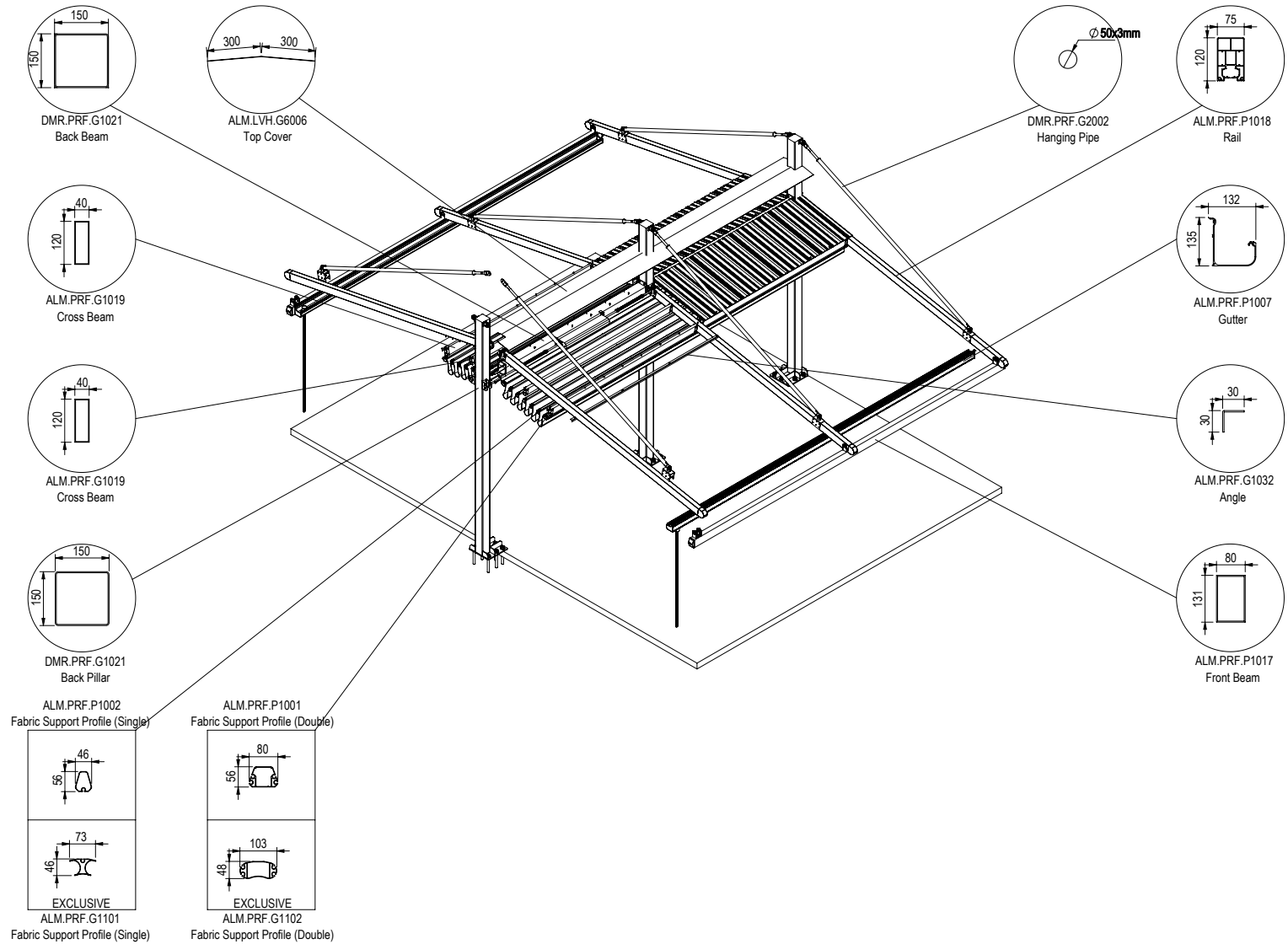
# SILVER

## Compact Twin Hanging



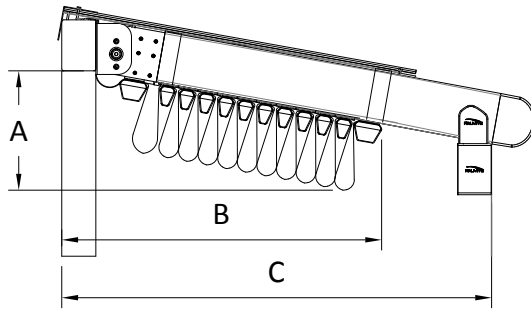
### MAXIMUM DIMENSIONS

	WIDTH	PROJECTION
2 RAILS	400 cm	1200 cm
3 RAILS	900 cm	1200 cm
4 RAILS	1300 cm	1200 cm



# TECHNICAL FEATURES

## COLLECTED FABRIC DIMENSIONS



No of Fabric Support Profiles	Projection cm										C
	185	235	284	334	383	433	482	532	581		
4	35										66
5		36									73
6			37								79
7				38							86
8					39						92
9						40					99
10							41				105
11								42			112
12									43		118

\*Calculated according to a slope of 15%

## DRAINAGE CALCULATION

Type	Max. m <sup>2</sup>
Compact	30 m <sup>2</sup> /pc

gutter.\* per drainage

There should be at least one drainage, each 8 m length

## MINIMUM SLOPE CHART

Projection	Slope										
	6,4-7,9%	7,4-8,8%	8,4-9,7%	9,4-10,8%	10,4-12%	11,2-12,7%	12-13,4%	13-14,5%	14-15,7%	15-16,6%	16-17,6%
	Rail Center										
	200	225	250	275	300	325	350	375	400	425	450
250	11	14	16	19	21	23	25	28	30	33	35
300	15	18	21	24	26	29	32	35	37	40	43
350	18	22	25	29	32	35	38	41	44	48	51
400	22	26	30	34	37	41	44	48	52	56	59
450	27	31	35	39	43	47	51	55	59	64	68
500	31	36	40	45	49	54	58	63	67	72	76
550	35	40	45	50	55	60	65	70	75	80	85
600	39	45	50	56	61	67	72	78	83	89	94

\* Note: Max. slope can be up to 25%

For back height of system 25 cm should be added to slope value.

## WIND RESISTANCE

PROJECTION ( cm )	WIDTH ( cm )																	
	450	500	550	600	650	700	750	800	850	900	950	1000	1050	1100	1150	1200	1250	1300
400	11	11	11	11	11	11	11	10	10	10	11	11	11	11	10	10	10	10
500	11	11	10	10	10	10	9	9	9	10	10	10	10	9	9	9	9	9
600	10	10	10	9	9	9	8	8	8	8	9	9	9	8	8	8	8	8
700	9	9	9	8	8	8	7	7	7	7	8	8	8	7	7	7	7	7
800	9	9	8	7	7	7	7	7	7	6	7	7	7	7	7	7	7	6
900	7	7	7	6	6	6	6	6	6	5	6	6	6	6	6	6	6	5
1000	6	6	6	6	6	6	6	5	5	5	6	6	6	6	5	5	5	5
1100	5	5	5	5	5	5	5	5	5	5	5	5	5	5	5	5	5	5
1200	5	5	5	5	5	5	5	4	4	4	4	5	5	5	4	4	4	4

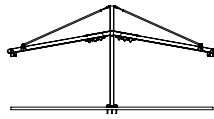
\*The values are given according to the Beaufort scale.

\*\*Calculated for Products with a front height of 250 cm according to Eurocode EN 1991-1-4 Terrain Category 4.

\*\*\* You can ask for new calculations for special designs.

All sides open

# SILVER Compact Twin Hanging



Projection	2 RAILS						3 RAILS						4 RAILS						FS4	FS9-C				
	250 cm	300 cm	350 cm	400 cm	450 cm	500 cm	550 cm	600 cm	650 cm	700 cm	750 cm	800 cm	850 cm	900 cm	950 cm	1000 cm	1050 cm	1100 cm			1150 cm	1200 cm	1250 cm	1300 cm
400 cm	€ 11.958	€ 12.538	€ 13.354	€ 14.186	€ 14.764	€ 17.340	€ 17.904	€ 18.467	€ 19.541	€ 20.014	€ 20.405	€ 20.959	€ 21.518	€ 22.076	€ 24.908	€ 25.457	€ 26.011	€ 26.564	€ 27.118	€ 27.545	€ 28.287	€ 29.147	€ 1.384	€ 365
450 cm	€ 12.209	€ 12.944	€ 13.749	€ 14.464	€ 15.049	€ 17.746	€ 18.475	€ 19.045	€ 19.976	€ 20.456	€ 20.857	€ 21.575	€ 22.299	€ 22.710	€ 25.492	€ 26.051	€ 26.768	€ 27.329	€ 27.891	€ 28.325	€ 29.079	€ 29.946	€ 1.486	€ 406
500 cm	€ 12.457	€ 13.347	€ 14.141	€ 14.739	€ 15.332	€ 18.150	€ 19.043	€ 19.621	€ 20.409	€ 20.897	€ 21.309	€ 22.190	€ 23.076	€ 23.341	€ 26.072	€ 26.641	€ 27.521	€ 28.089	€ 28.662	€ 29.101	€ 29.867	€ 30.740	€ 1.587	€ 448
550 cm	€ 12.905	€ 13.847	€ 14.690	€ 15.341	€ 15.985	€ 18.983	€ 19.928	€ 20.559	€ 21.399	€ 21.935	€ 22.400	€ 23.332	€ 24.272	€ 24.591	€ 27.465	€ 28.087	€ 29.020	€ 29.639	€ 30.264	€ 30.748	€ 31.564	€ 32.487	€ 1.689	€ 489
600 cm	€ 13.353	€ 14.347	€ 15.240	€ 15.941	€ 16.637	€ 19.816	€ 20.811	€ 21.497	€ 22.387	€ 22.970	€ 23.490	€ 24.472	€ 25.467	€ 25.839	€ 28.854	€ 29.531	€ 30.516	€ 31.185	€ 31.865	€ 32.392	€ 33.258	€ 34.230	€ 1.791	€ 530
650 cm	€ 13.756	€ 14.611	€ 15.513	€ 16.368	€ 17.074	€ 20.382	€ 21.236	€ 22.084	€ 22.984	€ 23.573	€ 24.101	€ 25.096	€ 26.104	€ 26.479	€ 29.754	€ 30.438	€ 31.281	€ 31.958	€ 32.797	€ 33.333	€ 34.208	€ 35.038	€ 1.892	€ 571
700 cm	€ 14.160	€ 14.877	€ 15.788	€ 16.798	€ 17.512	€ 20.950	€ 21.661	€ 22.669	€ 23.584	€ 24.176	€ 24.714	€ 25.721	€ 26.743	€ 27.119	€ 30.651	€ 31.345	€ 32.044	€ 32.733	€ 33.730	€ 34.273	€ 35.158	€ 35.846	€ 1.994	€ 613
750 cm	€ 14.418	€ 15.144	€ 16.064	€ 17.082	€ 17.806	€ 21.364	€ 22.084	€ 23.102	€ 24.023	€ 24.625	€ 25.174	€ 26.188	€ 27.213	€ 27.608	€ 31.246	€ 31.949	€ 32.657	€ 33.355	€ 34.361	€ 34.911	€ 35.804	€ 36.501	€ 2.095	€ 654
800 cm	€ 14.675	€ 15.408	€ 16.338	€ 17.365	€ 18.099	€ 21.775	€ 22.505	€ 23.532	€ 24.461	€ 25.073	€ 25.630	€ 26.652	€ 27.682	€ 28.092	€ 31.836	€ 32.549	€ 33.266	€ 33.973	€ 34.989	€ 35.546	€ 36.448	€ 37.155	€ 2.197	€ 695
850 cm	€ 14.939	€ 15.683	€ 16.621	€ 17.657	€ 18.399	€ 22.202	€ 22.940	€ 23.978	€ 24.914	€ 25.534	€ 26.102	€ 27.131	€ 28.170	€ 28.589	€ 32.443	€ 33.165	€ 33.889	€ 34.607	€ 35.633	€ 36.194	€ 37.106	€ 37.822	€ 2.299	€ 737
900 cm	€ 15.202	€ 15.955	€ 16.903	€ 17.947	€ 18.698	€ 22.626	€ 23.376	€ 24.421	€ 25.367	€ 25.995	€ 26.572	€ 27.611	€ 28.659	€ 29.085	€ 33.048	€ 33.780	€ 34.510	€ 35.242	€ 36.275	€ 36.841	€ 37.762	€ 38.487	€ 2.400	€ 778
950 cm	€ 15.461	€ 16.223	€ 17.178	€ 18.233	€ 18.993	€ 23.042	€ 23.798	€ 24.853	€ 25.811	€ 26.443	€ 27.030	€ 28.078	€ 29.139	€ 29.572	€ 33.642	€ 34.382	€ 35.123	€ 35.861	€ 36.904	€ 37.478	€ 38.408	€ 39.142	€ 2.502	€ 819
1000 cm	€ 15.717	€ 16.488	€ 17.453	€ 18.516	€ 19.285	€ 23.456	€ 24.219	€ 25.283	€ 26.252	€ 26.890	€ 27.487	€ 28.544	€ 29.615	€ 30.057	€ 34.232	€ 34.983	€ 35.732	€ 36.478	€ 37.530	€ 38.112	€ 39.051	€ 39.795	€ 2.603	€ 860
1050 cm	€ 15.973	€ 16.753	€ 17.727	€ 18.798	€ 19.577	€ 23.870	€ 24.639	€ 25.712	€ 26.692	€ 27.337	€ 27.943	€ 29.010	€ 30.092	€ 30.542	€ 34.821	€ 35.583	€ 36.341	€ 37.094	€ 38.155	€ 38.746	€ 39.694	€ 40.447	€ 2.705	€ 902
1100 cm	€ 16.228	€ 17.019	€ 18.002	€ 19.081	€ 19.869	€ 24.283	€ 25.059	€ 26.142	€ 27.132	€ 27.784	€ 28.400	€ 29.476	€ 30.569	€ 31.027	€ 35.411	€ 36.184	€ 36.949	€ 37.711	€ 38.781	€ 39.380	€ 40.337	€ 41.100	€ 2.807	€ 943
1150 cm	€ 16.484	€ 17.284	€ 18.277	€ 19.363	€ 20.161	€ 24.697	€ 25.479	€ 26.571	€ 27.573	€ 28.231	€ 28.857	€ 29.942	€ 31.045	€ 31.512	€ 36.001	€ 36.785	€ 37.558	€ 38.327	€ 39.407	€ 40.014	€ 40.981	€ 41.753	€ 2.907	€ 985
1200 cm	€ 16.740	€ 17.549	€ 18.552	€ 19.646	€ 20.454	€ 25.111	€ 25.899	€ 27.001	€ 28.013	€ 28.678	€ 29.314	€ 30.408	€ 31.522	€ 31.997	€ 36.590	€ 37.385	€ 38.166	€ 38.944	€ 40.033	€ 40.648	€ 41.624	€ 42.405	€ 3.009	€ 1.026
FS3	€ 241	€ 252	€ 275	€ 302	€ 327	€ 352	€ 377	€ 402	€ 427	€ 452	€ 581	€ 606	€ 631	€ 656	€ 683	€ 708	€ 733	€ 758	€ 783	€ 808	€ 833	€ 858		
FS5-A	€ 44	€ 56	€ 65	€ 75	€ 87	€ 96	€ 108	€ 117	€ 129	€ 139	€ 150	€ 160	€ 171	€ 181	€ 192	€ 202	€ 214	€ 223	€ 235	€ 244	€ 256	€ 266		
FS5-E	€ 61	€ 77	€ 90	€ 103	€ 119	€ 132	€ 148	€ 162	€ 178	€ 191	€ 207	€ 220	€ 236	€ 249	€ 265	€ 278	€ 294	€ 307	€ 323	€ 336	€ 352	€ 366		

FS3	Gutter System (For One Side)
FS5-A	Additional Fabric Support Profile (Standard)
FS5-E	Additional Fabric Support Profile (3 Axis)
FS4	Additional Rail for Compact Series- Al.- 75x120mm Additional Pillar for Compact Series- Al.- 80x80mm
FS8	Lighting System
FS9-C	Side Beam for Compact Series- Al.- 80x130mm

FS8	
FS8-S	SPOT
FS8-L	LINEAR
FS8-LR (RGB)	LINEAR (RGB)

LED TYPE & MODULE		
2 LED	3 LED	4 LED
€ 136	€ 165	€ 194
€ 194	€ 252	
€ 247	€ 320	

### Notes:

- Any Side Beam is not included in the price.
- FS Flexy Plain/3D or Stam 6002 is included in the price.
- Motor and Remote control is included in the price.
- Palmiye Aluminium Coating Catalogue includes the standard colours with no extra cost. For any other type/brand/color of paint, price difference and additional delivery duration shall be checked from your customer representative.
- Standard fabric support profile plastic colours are specified in Palmiye Aluminium Coating Catalogue.
- The gutter option price is for one side and must be added separately for each side.
- In pergolas including steel front pillars, if gutter option is preferred, external water drainage points will be specified according to the Project and will be priced additionally.

### DEDUCTIONS

Price deduction is applicable only for back pillars and back beam. Deduction amount shall be consider as 70% of related option price.

## OPTIONS

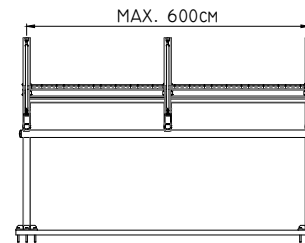
FS10-150ST3	Extra pillar (150x150x3mm St.)	€ 980	pcs
FS10-150ST5	Extra pillar (150x150x5mm St.)	€ 1.370	pcs
FS10-150ST5-H	Extra Half pillar (150x150x5mm St.)	€ 165	pcs
FS11	Deco ceiling cover	€ 72	m <sup>2</sup>
FS15-C	Side beam pillar (80x80mm - Al)	€ 403	pcs
FS19	Fix louver	€ 75	lm
FS24	W96 Ceiling Cover	€ 84	m <sup>2</sup>
FS26	Exclusive fabric difference (up to 800cm width)	€ 49	m <sup>2</sup>
FS28-1	Stainless steel chain - 100 cm	€ 79	1m
FS28-2	Stainless steel chain - 200 cm	€ 153	2m
FS28-3	Stainless steel chain - 300 cm	€ 224	3m
FS28-4	Stainless steel chain - 400 cm	€ 298	4m
FS29-1	Sun Sensor (SUNIS) (for single motor)	€ 621	pcs
FS29-1S	Sun Sensor (SUNIS) (for synchronized motor)	€ 990	pcs
FS29-2	Wind Sensor (EOLIS RTS) (for single motor)	€ 293	pcs
FS29-2S	Wind Sensor (EOLIS RTS) (for synchronized motor)	€ 658	pcs
FS29-3	Sun and Wind Sensor (SOLIRIS RTS) (for single motor)	€ 331	pcs
FS29-3S	Sun and Wind Sensor (SOLIRIS RTS) (for synchronized motor)	€ 696	pcs
FS29-42	Rain Sensor (ONDEIS) (for single motor)	€ 574	pcs
FS29-4S3	Rain Sensor (ONDEIS) (for synchronized motor)	€ 938	pcs
FS30	CONNEXOON	€ 525	pcs

## EXTENSIONS

Rail	Compact - 75x120mm	€ 206	lm
Beam	Al. 40x120mm	€ 65	lm
Beam	Al. 42x150mm	€ 105	lm
Beam	Al. 50x150mm	€ 186	lm
Beam	Al. 80x130mm	€ 98	lm
Beam	Al. 100x150mm	€ 155	lm
Beam	St. 100x150x3mm	€ 320	lm
Beam	St. 100x150x5mm	€ 388	lm
Beam	St. 100x200x3mm	€ 325	lm
Beam	St. 100x200x5mm	€ 462	lm
Fabric protection cover	Al. - 63x__cm	€ 60	m <sup>2</sup>
Gutter	Special Profile	€ 45	lm

## PRICE DIFFERENCE

				PILLAR GROUP	
Pillar	Standard			St. 150x150x3mm	
		to	St. 150x150x5mm	€ 520	pcs



- The front beam can not be produced in steel.
- Ground flanges are 380x380x15 mm.
- When pillar reduction is applied, half pillar must be installed at the back of each rail shaft, and steel back pillars and back beam should be 150x150 mm.
- In condition of adding an additional rail, a steel 150x150 mm back pillar should also be added.

## STANDARD CONSTRUCTION

		WIDTH																						
		250	300	350	400	450	500	550	600	650	700	750	800	850	900	950	1000	1050	1100	1150	1200	1250	1300	
PROJECTION	400 cm																							
	500 cm																							
	600 cm																							
	700 cm																							
	800 cm																							
	900 cm																							
	1000 cm																							
	1100 cm																							
	1200 cm																							
	1250 cm																							
	1300 cm																							

**Pillars & Back Beam**

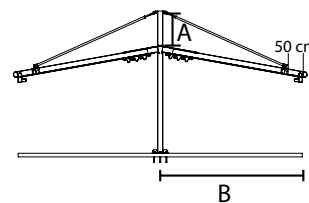
	150x150x3mm Steel
	150x150x5mm Steel

\* In case of reducing middle pillars, distance between the pillars can be maximum 600 cm.

\*\* Steel with a wall thickness of 5 mm must be used in all cases where the pillar is reduced.

### Notes:

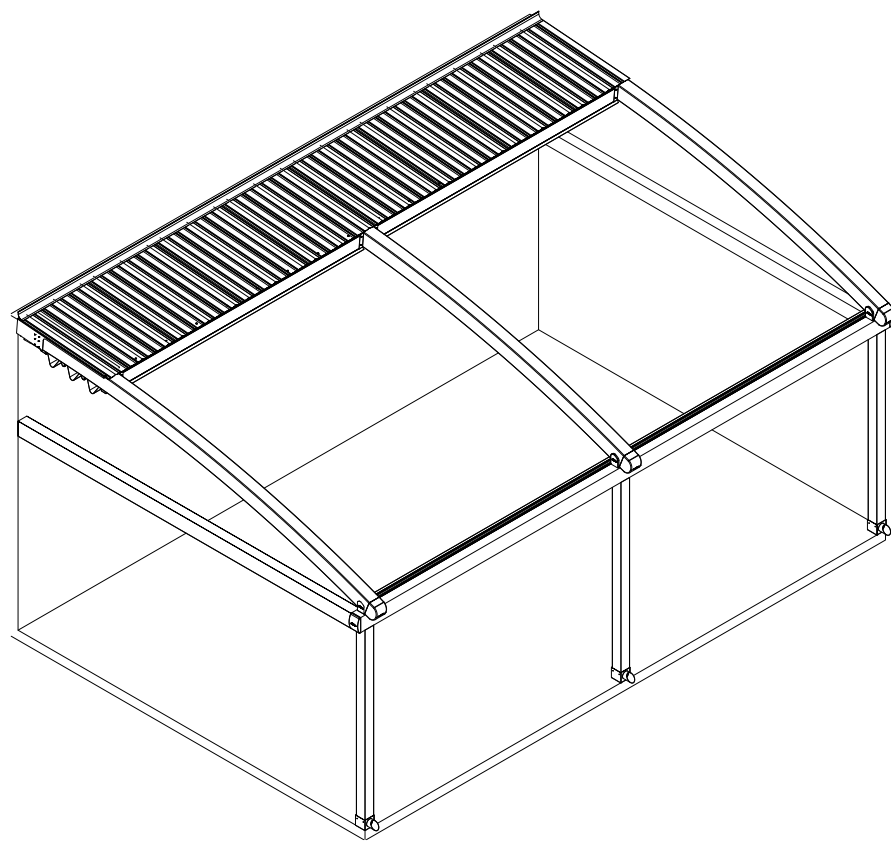
1. Fabric support profiles can be painted in the same color as the general construction. No fee is paid for this process. However, the plastic color should be specified from our standard plastic colours in Palmiye Color Chart.
2. For one product, a dry contact transmitter costing 368€, must be added.
3. Up to 5 products, a RS485 Automation interface dry contact transmitter costing 1126€, must be added.



## MINIMUM "A" VALUES

B (cm)	250	350	350	400	450	500	550	600
A (cm)	50	50	50	60	70	80	90	100

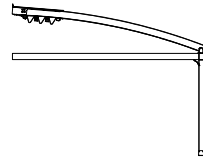
Upper values will be evaluated on a project basis.



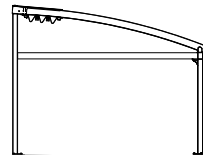
**CORAL**

## PRODUCT FORMS

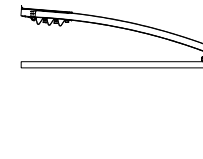
- **CORAL** Wall / Ceiling
- 



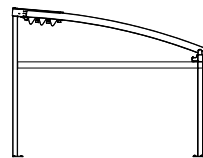
- **CORAL** Freestanding
- 



- **CORAL Compact** Wall / Ceiling
- 

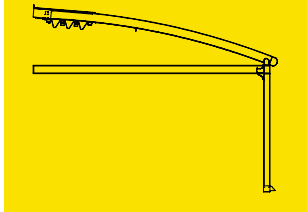


- **CORAL Compact** Freestanding
- 



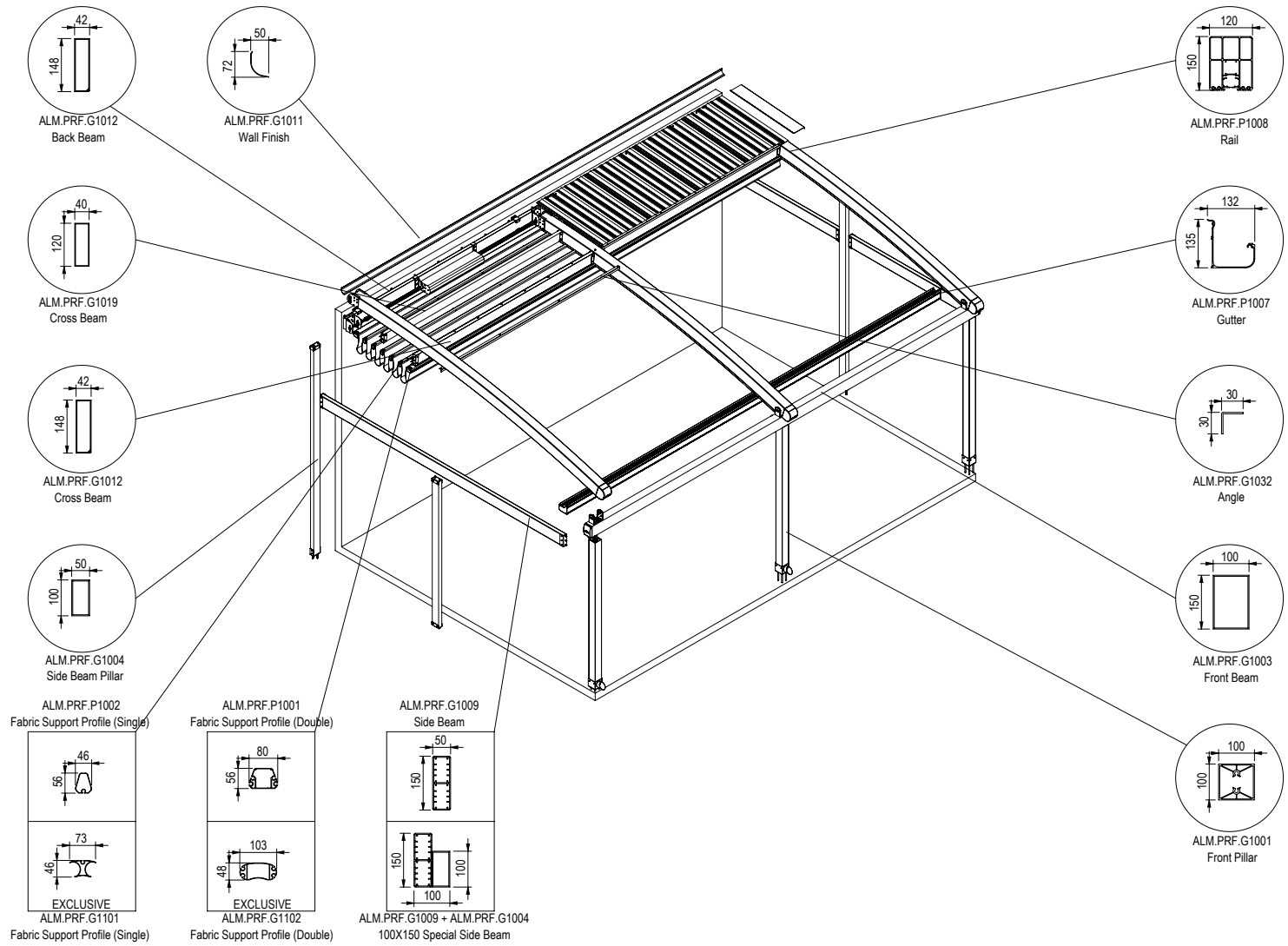
# CORAL

## Wall / Ceiling



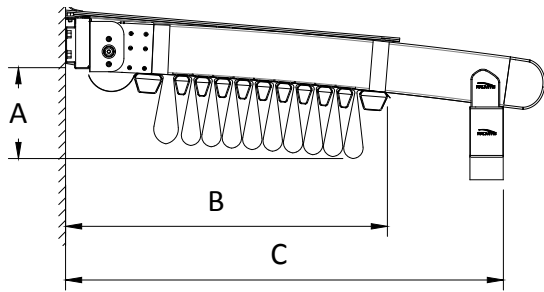
### MAXIMUM DIMENSIONS

	WIDTH	PROJECTION
2 RAILS	400 cm	800 cm
3 RAILS	800 cm	800 cm
4 RAILS	1200 cm	800 cm
5 RAILS	1300 cm	700 cm



# TECHNICAL FEATURES

## COLLECTED FABRIC DIMENSIONS



Projection cm		C											
200	250	300	350	400	450	500	550	600	650	700	750	800	C
5													68
6													74
7		32											81
9			34										94
10				35									100
11					36								107
13						38							120
14							39						127
15								40					133
17									42				146
18										43			152
19											44		159
21												46	172

\*Calculated according to a slope of 15%

## DRAINAGE CALCULATION

Type	Max. m <sup>2</sup>
Full	39 m <sup>2</sup> /pc
Half	18 m <sup>2</sup> /pc

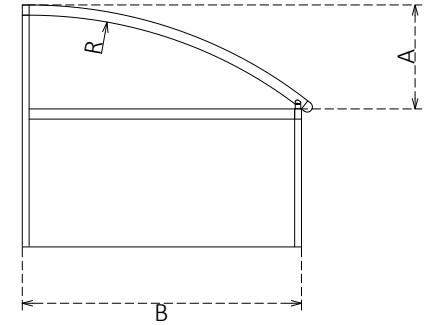
\* per drainage

There should be at least one drainage, each 8 m length gutter.

## RADIUS CHART

RADIUS	850	1500	2850
Projection	A		
250	63		
300	83		
350	107		
400	135	82	
450	168	98	
500		116	
550		137	
600		160	93
650		184	106
700			119
750			133
800			149

\*The values are approx. ± 5 cm



## WIND RESISTANCE

PROJECTION (cm)	WIDTH (cm)																	
	450	500	550	600	650	700	750	800	850	900	950	1000	1050	1100	1150	1200	1250	1300
400	11	11	11	11	11	11	11	11	11	11	11	11	11	11	11	11	11	11
450	11	11	11	11	11	11	11	11	11	11	11	11	11	11	11	11	11	11
500	11	11	11	11	11	11	11	11	11	11	11	11	11	11	11	11	11	11
550	11	11	11	11	11	11	11	11	11	11	11	11	11	11	11	11	11	11
600	11	11	11	11	11	11	10	10	11	11	11	11	11	11	10	10	11	11
650	11	11	11	11	10	10	10	9	11	11	10	10	10	10	10	9	10	10
700	11	10	10	10	10	10	9	9	10	10	10	10	10	10	9	9	10	10
750	10	10	10	9	9	9	9	8	10	9	9	9	9	9	9	8	9	
800	10	10	9	9	9	9	8	8	10	9	9	9	9	9	8	8		

All sides open

PROJECTION (cm)	WIDTH (cm)																	
	450	500	550	600	650	700	750	800	850	900	950	1000	1050	1100	1150	1200	1250	1300
400	11	11	11	11	11	10	10	10	11	11	11	11	10	10	10	10	11	11
450	11	11	10	10	10	10	10	10	11	10	10	10	10	10	10	10	10	10
500	10	10	10	10	10	10	10	10	10	10	10	10	10	10	10	10	10	10
550	10	10	9	9	9	9	9	9	10	9	9	9	9	9	9	9	9	9
600	10	9	9	9	9	9	9	9	9	9	9	9	9	9	9	9	9	9
650	9	9	9	9	9	9	8	8	9	9	9	9	9	9	8	8	9	9
700	9	9	9	9	8	8	8	8	9	9	8	8	8	8	8	8	8	8
750	8	8	8	8	8	8	8	8	8	8	8	8	8	8	8	8	8	8
800	8	8	8	8	8	8	7	7	8	8	8	8	8	8	7	7		

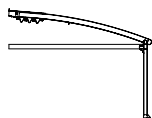
With side enclosure

\*The values are given according to the Beaufort scale.

\*\*Calculated for Products with a front height of 250 cm according to Eurocode EN 1991-1-4 Terrain Category 4.

\*\*\* You can ask for new calculations for special designs.

# CORAL Wall / Ceiling



Projection	2 RAILS				3 RAILS								4 RAILS								5 RAILS		FS4	FS9	FS9-S	FS9-2
	250 cm	300 cm	350 cm	400 cm	450 cm	500 cm	550 cm	600 cm	650 cm	700 cm	750 cm	800 cm	850 cm	900 cm	950 cm	1000 cm	1050 cm	1100 cm	1150 cm	1200 cm	1250 cm	1300 cm				
200 cm	€ 7.605	€ 7.981	€ 8.707	€ 9.088	€ 10.733	€ 11.109	€ 11.491	€ 11.867	€ 12.592	€ 12.974	€ 13.417	€ 13.794	€ 15.109	€ 15.475	€ 16.184	€ 16.551	€ 16.912	€ 17.277	€ 17.638	€ 18.003	€ 20.096	€ 20.667	€ 1.185	€ 242	€ 322	€ 191
250 cm	€ 8.013	€ 8.593	€ 9.141	€ 9.534	€ 11.350	€ 11.737	€ 12.327	€ 12.714	€ 13.262	€ 13.649	€ 14.108	€ 14.693	€ 16.177	€ 16.559	€ 17.084	€ 17.462	€ 18.037	€ 18.413	€ 18.789	€ 19.165	€ 21.430	€ 22.010	€ 1.308	€ 292	€ 402	€ 223
300 cm	€ 8.645	€ 9.292	€ 9.898	€ 10.347	€ 12.390	€ 12.839	€ 13.487	€ 13.936	€ 14.542	€ 14.991	€ 15.507	€ 16.154	€ 17.863	€ 18.297	€ 18.891	€ 19.326	€ 19.958	€ 20.390	€ 20.830	€ 21.267	€ 23.754	€ 24.397	€ 1.432	€ 343	€ 483	€ 256
350 cm	€ 9.262	€ 9.728	€ 10.344	€ 11.002	€ 13.221	€ 13.681	€ 14.145	€ 14.804	€ 15.425	€ 15.885	€ 16.418	€ 17.077	€ 18.961	€ 19.410	€ 20.205	€ 20.659	€ 21.108	€ 21.557	€ 22.199	€ 22.648	€ 25.312	€ 25.778	€ 1.555	€ 393	€ 563	€ 288
400 cm	€ 9.687	€ 10.162	€ 10.795	€ 11.462	€ 13.861	€ 14.336	€ 14.817	€ 15.485	€ 16.117	€ 16.592	€ 17.135	€ 17.803	€ 19.872	€ 20.332	€ 21.140	€ 21.606	€ 22.070	€ 22.530	€ 23.189	€ 23.647	€ 26.494	€ 26.970	€ 1.678	€ 443	€ 644	€ 320
450 cm	€ 10.123	€ 10.613	€ 11.255	€ 11.940	€ 14.516	€ 15.006	€ 15.496	€ 16.175	€ 16.822	€ 17.309	€ 17.868	€ 18.553	€ 20.792	€ 21.267	€ 22.092	€ 22.568	€ 23.043	€ 23.518	€ 24.188	€ 24.663	€ 27.686	€ 28.173	€ 1.801	€ 493	€ 724	€ 353
500 cm	€ 10.550	€ 11.051	€ 11.709	€ 12.404	€ 15.163	€ 15.664	€ 16.166	€ 16.860	€ 17.518	€ 18.020	€ 18.588	€ 19.282	€ 21.711	€ 22.197	€ 23.033	€ 23.524	€ 24.010	€ 24.495	€ 25.179	€ 25.669	€ 28.872	€ 29.374	€ 1.924	€ 543	€ 805	€ 385
550 cm	€ 11.206	€ 11.958	€ 12.679	€ 13.432	€ 16.418	€ 16.983	€ 17.741	€ 18.278	€ 19.213	€ 19.773	€ 20.403	€ 21.155	€ 23.814	€ 24.556	€ 25.256	€ 25.804	€ 26.551	€ 27.095	€ 27.836	€ 28.384	€ 31.821	€ 32.573	€ 2.047	€ 593	€ 885	€ 418
600 cm	€ 11.650	€ 12.417	€ 13.148	€ 13.915	€ 17.081	€ 17.655	€ 18.428	€ 19.002	€ 19.926	€ 20.502	€ 21.144	€ 21.911	€ 24.747	€ 25.499	€ 26.371	€ 26.779	€ 27.537	€ 28.096	€ 28.848	€ 29.411	€ 33.025	€ 33.793	€ 2.170	€ 643	€ 966	€ 450
650 cm	€ 12.078	€ 12.856	€ 13.605	€ 14.381	€ 17.735	€ 18.319	€ 19.103	€ 19.688	€ 20.628	€ 21.213	€ 21.872	€ 22.656	€ 25.668	€ 26.442	€ 27.168	€ 27.742	€ 28.509	€ 29.078	€ 29.853	€ 30.427	€ 34.223	€ 35.001	€ 2.294	€ 693	€ 1.046	€ 483
700 cm	€ 12.510	€ 13.303	€ 14.061	€ 14.856	€ 18.392	€ 18.987	€ 19.786	€ 20.386	€ 21.337	€ 21.932	€ 22.601	€ 23.395	€ 26.596	€ 27.379	€ 28.122	€ 28.706	€ 29.490	€ 30.070	€ 30.853	€ 31.443	€ 35.418	€ 36.211	€ 2.417	€ 743	€ 1.127	€ 515
750 cm	€ 12.948	€ 13.752	€ 14.525	€ 15.329	€ 19.047	€ 19.659	€ 20.463	€ 21.078	€ 22.040	€ 22.656	€ 23.335	€ 24.139	€ 27.523	€ 28.319	€ 29.071	€ 29.671	€ 30.464	€ 31.065	€ 31.858	€ 32.459	€ 36.621		€ 2.540	€ 1.077	€ 1.491	€ 832
800 cm	€ 13.386	€ 14.201	€ 14.989	€ 15.803	€ 19.702	€ 20.330	€ 21.140	€ 21.771	€ 22.743	€ 23.380	€ 24.068	€ 24.884	€ 28.451	€ 29.258	€ 30.019	€ 30.636	€ 31.439	€ 32.060	€ 32.863	€ 33.474			€ 2.663	€ 1.127	€ 1.572	€ 864
FS3	€ 241	€ 252	€ 275	€ 302	€ 327	€ 352	€ 377	€ 402	€ 427	€ 452	€ 581	€ 606	€ 631	€ 656	€ 683	€ 708	€ 733	€ 758	€ 783	€ 808	€ 833	€ 858				
FS5-A	€ 44	€ 56	€ 65	€ 75	€ 87	€ 96	€ 108	€ 117	€ 129	€ 139	€ 150	€ 160	€ 171	€ 181	€ 192	€ 202	€ 214	€ 223	€ 235	€ 244	€ 256	€ 266				
FS5-E	€ 61	€ 77	€ 90	€ 103	€ 119	€ 132	€ 148	€ 162	€ 178	€ 191	€ 207	€ 220	€ 236	€ 249	€ 265	€ 278	€ 294	€ 307	€ 323	€ 336	€ 352	€ 366				

Side beam pillar is included in the price

FS3	Gutter System
FS5-A	Additional Fabric Support Profile (Standard)
FS5-E	Additional Fabric Support Profile (3 Axis)
FS4	Additional Rail - Al.Plus- 120x150mm
FS8	Lighting System
FS9	Side Beam - Al.- 50x150mm
FS9-S	Side Beam - Al.- 100x150mm (Special)
FS9-2	Side Beam - Al.- 100x150mm

FS8	
FS8-S	SPOT
FS8-L	LINEAR
FS8-LR (RGB)	LINEAR (RGB)

LED TYPE & MODULE		
2 LED	3 LED	4 LED
€ 136	€ 165	€ 194
€ 194	€ 252	
€ 247	€ 320	

### Notes:

- Any side beam is not included in the price.
- FS Flexy Plain/3D or Stam 6002 is included in the price.
- Motor and Remote control is included in the price.
- Palmiye Aluminium Coating Catalogue includes the standard colours with no extra cost. For any other type/brand/color of paint, price difference and additional delivery duration shall be checked from your customer representative.
- Standard fabric support profile plastic colours are specified in Palmiye Aluminium Coating Catalogue.
- If side beam used and projection is bigger than 700 cm, a side beam pillar also needs to be added up to the rail (FS15 or FS15-B). Price is included in FS9 side beam option price.

### DEDUCTION

Price deduction is applicable only for pillars and beam. Deduction amount shall be considered as 70% of related option price.

## OPTIONS

FS10	Extra pillar (100x100mm Al.)	€ 548	pcs
FS10-ST3	Extra pillar (100x100x3mm St.)	€ 525	pcs
FS10-ST5	Extra pillar (100x100x5mm St.)	€ 765	pcs
FS11	Deco ceiling cover	€ 72	m <sup>2</sup>
FS15	Side beam pillar (50x100mm - Al)	€ 284	pcs
FS15-B	Side beam pillar (100x100mm - Al)	€ 548	pcs
FS19	Fix louver	€ 75	lm
FS23	External Square Downpipe	€ 335	pcs
FS24	W96 Ceiling Cover	€ 84	m <sup>2</sup>
FS26	Exclusive fabric difference (up to 800cm width)	€ 49	m <sup>2</sup>
FS29-1	Sun Sensor (SUNIS) (for single motor)	€ 621	pcs
FS29-1S	Sun Sensor (SUNIS) (for synchronized motor)	€ 990	pcs
FS29-2	Wind Sensor (EOLIS RTS) (for single motor)	€ 293	pcs
FS29-2S	Wind Sensor (EOLIS RTS) (for synchronized motor)	€ 658	pcs
FS29-3	Sun and Wind Sensor (SOLIRIS RTS) (for single motor)	€ 331	pcs
FS29-3S	Sun and Wind Sensor (SOLIRIS RTS) (for synchronized motor)	€ 696	pcs
FS29-4 <sup>2/3</sup>	Rain Sensor (ONDEIS) (for single motor)	€ 574	pcs
FS29-4S <sup>2/3</sup>	Rain Sensor (ONDEIS) (for synchronized motor)	€ 938	pcs
FS30	CONNEXOON	€ 525	pcs

### Notes:

**1.** Fabric support profiles can be painted in the same color as the general construction. No fee is paid for this process. However, the plastic color should be specified from our standard plastic colours in Palmiye Color Chart.

**2.** For one product, a dry contact transmitter costing 368€, must be added.

**3.** Up to 5 products, a RS485 Automation interface dry contact transmitter costing 1126€, must be added.

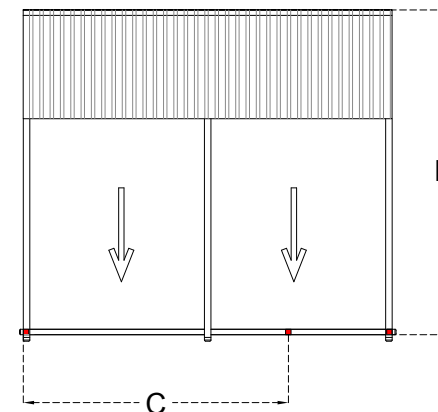
## EXTENSIONS

Rail	Plus - 120x150mm	€ 337	lm
Beam	Al. 42x150mm	€ 105	lm
Beam	Al. 50x150mm	€ 186	lm
Beam	Al. 100x150mm	€ 155	lm
Beam	St. 100x150x3mm	€ 320	lm
Beam	St. 100x150x5mm	€ 388	lm
Beam	St. 100x200x3mm	€ 325	lm
Beam	St. 100x200x5mm	€ 462	lm
Fabric protection cover	Al. - 63x___cm	€ 60	m <sup>2</sup>
Gutter	Special Profile	€ 45	lm
Pillar	Al. 100x100mm	€ 173	lm
Pillar	St. 100x100x3mm	€ 217	lm
Pillar	St. 100x100x5mm	€ 388	lm
Pillar	St. 150x150x3mm	€ 439	lm
Pillar	St. 150x150x5mm	€ 615	lm

\*Max. Al. Front pillar (Al. 100x100mm) height is 280cm

\*Max. St 3mm. Front pillar (St. 100x100x3mm) height is 380cm

\*Max. St. 5mm Front pillar (St. 100x100x5mm) height is 480cm



## PRICE DIFFERENCE

		BEAM GROUP	
		Standard	Al. 42x150mm
Back Beam	to		Al. 50x150mm € 81 lm
			St. 50x150x3mm € 104 lm
			St. 50x150x5mm € 192 lm
			Al. 100x150mm € 48 lm
			St. 100x150x3mm € 210 lm
			St. 100x150x5mm € 285 lm
			St. 100x200x3mm € 215 lm
			St. 100x200x5mm € 359 lm
		Standard	Al. 100x150mm
Front Beam	to		St. 100x150x3mm € 160 lm
			St. 100x150x5mm € 238 lm
			St. 100x200x3mm € 165 lm
			St. 100x200x5mm € 311 lm

		PILLAR GROUP	
		Standard	Al. 100x100mm
Front Pillar	to		St. 100x100x3mm € 111 pcs
			St. 100x100x5mm € 456 pcs
			St. 150x150x3mm € 696 pcs
			St. 150x150x5mm € 1.231 pcs

## FRONT PILLAR POSITION CHANGE

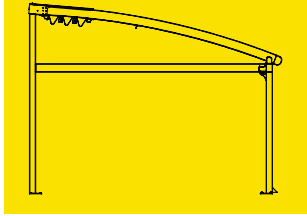
		C				
		500	550	600	650	700
B	400					
	500					
	600					
	700					
	800					

(Construction price difference needs to be added. The deflection doesn't evaluate on this chart.)

	FRONT PILLAR	: Al. 100x100x3mm
	FRONT BEAM	: Al. 100x150x3mm
	FRONT PILLAR	: St. 100x100x3mm
	FRONT BEAM	: St. 100x150x3mm
	FRONT PILLAR	: St. 100x100x5mm
	FRONT BEAM	: St. 100x150x5mm

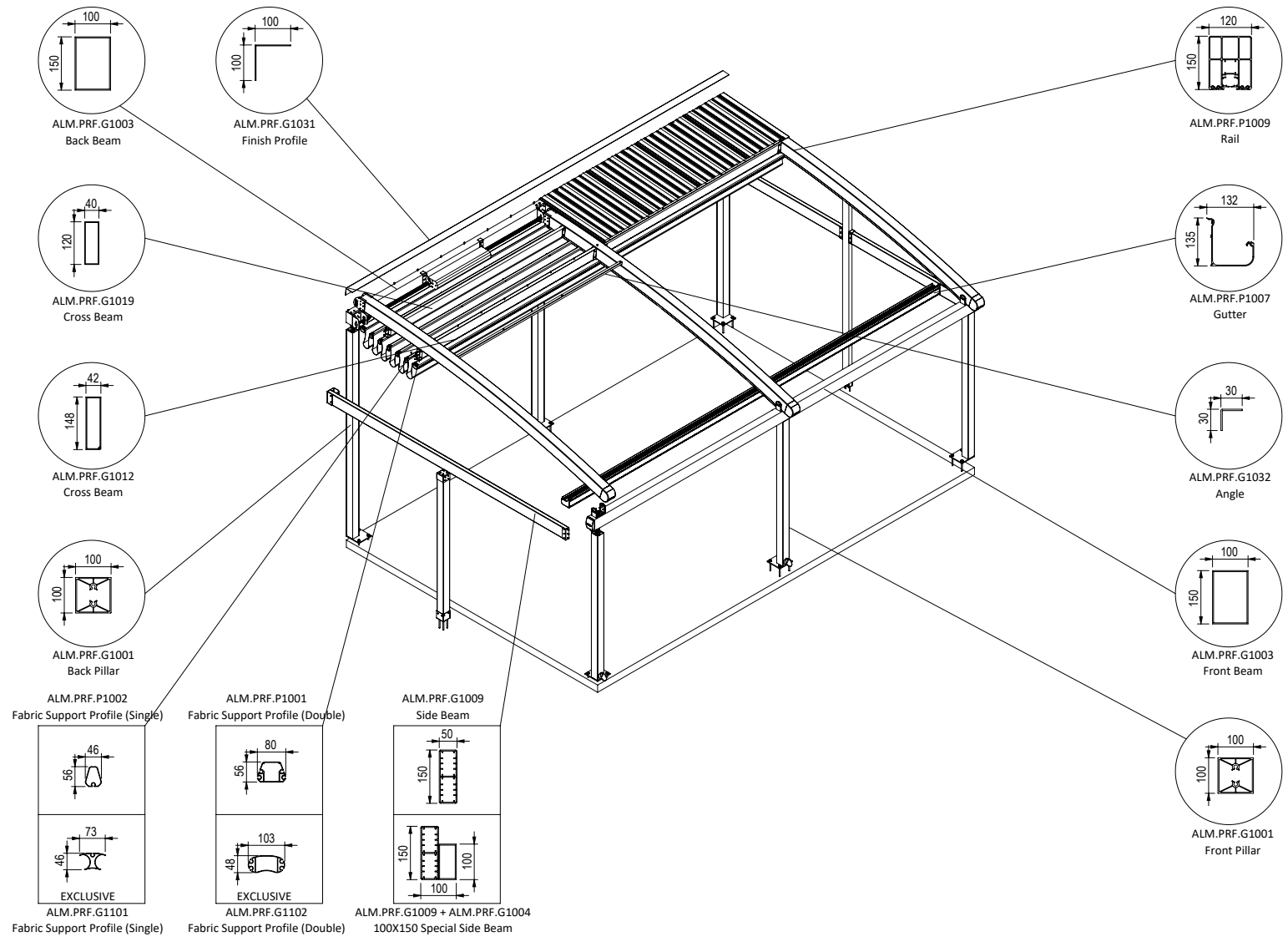
# CORAL

## Freestanding



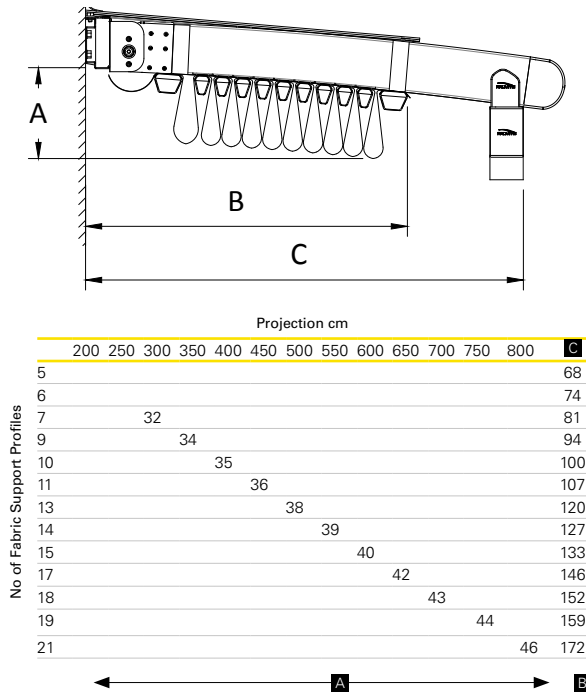
### MAXIMUM DIMENSIONS

	WIDTH	PROJECTION
2 RAILS	400 cm	800 cm
3 RAILS	800 cm	800 cm
4 RAILS	1200 cm	800 cm
5 RAILS	1300 cm	700 cm



# TECHNICAL FEATURES

## COLLECTED FABRIC DIMENSIONS



\*Calculated according to a slope of 15%

## DRAINAGE CALCULATION

Type	Max. m <sup>2</sup>
Full	39 m <sup>2</sup> /pc
Half	18 m <sup>2</sup> /pc

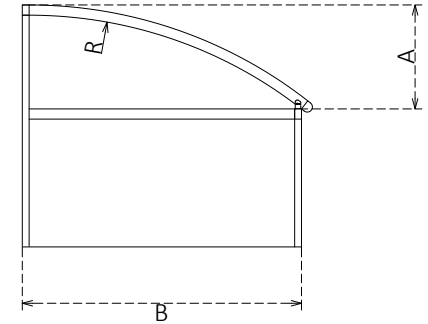
\* per drainage

There should be at least one drainage, each 8 m length gutter.

## RADIUS CHART

RADIUS	850	1500	2850
Projection	A		
250	63		
300	83		
350	107		
400	135	82	
450	168	98	
500		116	
550		137	
600		160	93
650		184	106
700			119
750			133
800			149

\*The values are approx. ± 5 cm



## WIND RESISTANCE

PROJECTION (cm)	WIDTH (cm)																	
	450	500	550	600	650	700	750	800	850	900	950	1000	1050	1100	1150	1200	1250	1300
400	11	11	11	11	10	10	9	9	11	11	10	10	10	10	9	9	10	10
450	11	11	11	11	10	9	9	8	11	11	10	10	9	9	9	8	10	10
500	11	11	11	10	9	8	8	8	11	10	9	9	8	8	8	8	9	9
550	11	10	10	10	9	8	8	7	10	10	9	9	8	8	8	7	9	9
600	10	10	10	9	8	7	7	7	10	9	8	8	7	7	7	7	8	8
650	9	9	9	8	8	7	7	7	9	8	8	8	7	7	7	7	8	8
700	9	9	8	8	7	7	7	7	9	8	7	7	7	7	7	7	7	7
750	8	8	7	7	7	7	7	7	8	7	7	7	7	7	7	7	7	7
800	8	7	7	7	7	7	7	7	7	7	7	7	7	7	7	7	7	7

All sides open

PROJECTION (cm)	WIDTH (cm)																	
	450	500	550	600	650	700	750	800	850	900	950	1000	1050	1100	1150	1200	1250	1300
400	11	10	10	10	9	8	8	8	10	10	9	9	8	8	8	8	9	9
450	10	10	10	10	9	8	8	8	10	10	9	9	8	8	8	8	9	9
500	10	10	9	9	8	8	8	8	10	9	8	8	8	8	8	8	8	8
550	9	9	9	9	7	7	7	7	9	9	7	7	7	7	7	7	7	7
600	9	8	8	8	7	7	7	7	8	8	7	7	7	7	7	7	7	7
650	8	8	7	7	7	7	7	7	8	7	7	7	7	7	7	7	7	7
700	7	7	7	7	7	7	7	7	7	7	7	7	7	7	7	7	7	7
750	7	7	7	7	7	7	7	7	7	7	7	7	7	7	7	7	7	7
800	7	7	7	7	7	7	7	7	7	7	7	7	7	7	7	7	7	7

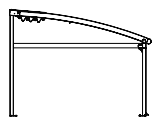
With side enclosure

\*The values are given according to the Beaufort scale.

\*\*Calculated for Products with a front height of 250 cm according to Eurocode EN 1991-1-4 Terrain Category 4.

\*\*\* You can ask for new calculations for special designs.

# CORAL Freestanding



Width  
Projection

Projection	2 RAILS				3 RAILS								4 RAILS								5 RAILS		FS4	FS9-SPD
	250 cm	300 cm	350 cm	400 cm	450 cm	500 cm	550 cm	600 cm	650 cm	700 cm	750 cm	800 cm	850 cm	900 cm	950 cm	1000 cm	1050 cm	1100 cm	1150 cm	1200 cm	1250 cm	1300 cm		
200 cm	€ 9.238	€ 9.636	€ 10.385	€ 10.789	€ 12.981	€ 13.379	€ 13.783	€ 14.182	€ 14.930	€ 15.334	€ 15.800	€ 16.199	€ 18.061	€ 18.450	€ 19.182	€ 19.571	€ 19.955	€ 20.342	€ 20.726	€ 21.113	€ 23.753	€ 24.346	€ 1.185	€ 80
250 cm	€ 9.743	€ 10.346	€ 10.916	€ 11.332	€ 13.695	€ 14.105	€ 14.717	€ 15.127	€ 15.697	€ 16.107	€ 16.588	€ 17.196	€ 19.227	€ 19.631	€ 20.179	€ 20.579	€ 21.176	€ 21.575	€ 21.973	€ 22.372	€ 25.185	€ 25.787	€ 1.308	€ 110
300 cm	€ 10.473	€ 11.142	€ 11.771	€ 12.243	€ 14.833	€ 15.304	€ 15.974	€ 16.445	€ 17.074	€ 17.546	€ 18.085	€ 18.754	€ 21.009	€ 21.466	€ 22.083	€ 22.540	€ 23.195	€ 23.650	€ 24.112	€ 24.572	€ 27.605	€ 28.271	€ 1.432	€ 140
350 cm	€ 11.187	€ 11.676	€ 12.314	€ 12.995	€ 15.761	€ 16.243	€ 16.730	€ 17.411	€ 18.054	€ 18.537	€ 19.093	€ 19.774	€ 22.205	€ 22.676	€ 23.494	€ 23.971	€ 24.443	€ 24.914	€ 25.578	€ 26.050	€ 29.261	€ 29.749	€ 1.555	€ 171
400 cm	€ 11.709	€ 12.207	€ 12.862	€ 13.552	€ 16.498	€ 16.995	€ 17.499	€ 18.189	€ 18.844	€ 19.342	€ 19.907	€ 20.597	€ 23.213	€ 23.696	€ 24.527	€ 25.015	€ 25.502	€ 25.984	€ 26.665	€ 27.146	€ 30.541	€ 31.038	€ 1.678	€ 201
450 cm	€ 12.242	€ 12.755	€ 13.419	€ 14.127	€ 17.250	€ 17.762	€ 18.275	€ 18.977	€ 19.647	€ 20.155	€ 20.737	€ 21.445	€ 24.231	€ 24.729	€ 25.576	€ 26.074	€ 26.572	€ 27.069	€ 27.762	€ 28.259	€ 31.830	€ 32.339	€ 1.801	€ 232
500 cm	€ 12.766	€ 13.290	€ 13.971	€ 14.688	€ 17.994	€ 18.518	€ 19.042	€ 19.759	€ 20.440	€ 20.964	€ 21.555	€ 22.272	€ 25.247	€ 25.756	€ 26.615	€ 27.127	€ 27.636	€ 28.143	€ 28.851	€ 29.363	€ 33.113	€ 33.637	€ 1.924	€ 262
550 cm	€ 13.520	€ 14.295	€ 15.038	€ 15.814	€ 19.347	€ 19.934	€ 20.715	€ 21.274	€ 22.232	€ 22.814	€ 23.467	€ 24.241	€ 27.447	€ 28.212	€ 28.934	€ 29.505	€ 30.274	€ 30.841	€ 31.604	€ 32.175	€ 36.159	€ 36.933	€ 2.047	€ 293
600 cm	€ 14.686	€ 15.475	€ 16.229	€ 17.019	€ 20.731	€ 21.328	€ 22.123	€ 22.720	€ 23.667	€ 24.266	€ 24.930	€ 25.719	€ 29.103	€ 29.877	€ 30.772	€ 31.202	€ 31.982	€ 32.564	€ 33.339	€ 33.924	€ 38.086	€ 38.875	€ 2.170	€ 323
650 cm	€ 15.260	€ 16.061	€ 16.832	€ 17.631	€ 21.532	€ 22.138	€ 22.945	€ 23.553	€ 24.514	€ 25.122	€ 25.804	€ 26.610	€ 30.169	€ 30.966	€ 31.714	€ 32.311	€ 33.101	€ 33.692	€ 34.489	€ 35.086	€ 39.429	€ 40.230	€ 2.294	€ 354
700 cm	€ 15.838	€ 16.654	€ 17.434	€ 18.252	€ 22.335	€ 22.952	€ 23.773	€ 24.396	€ 26.081	€ 26.741	€ 27.477	€ 28.335	€ 32.917	€ 33.797	€ 33.784	€ 34.433	€ 35.282	€ 35.928	€ 36.777	€ 37.432	€ 41.997	€ 45.300	€ 2.417	€ 384
750 cm	€ 16.966	€ 17.793	€ 18.589	€ 19.416	€ 23.680	€ 24.314	€ 25.141	€ 26.448	€ 27.475	€ 28.156	€ 28.901	€ 29.770	€ 35.419	€ 36.354	€ 35.423	€ 36.089	€ 36.948	€ 37.614	€ 38.472	€ 39.138	€ 43.891		€ 2.540	€ 678
800 cm	€ 17.550	€ 18.388	€ 19.198	€ 20.035	€ 24.481	€ 25.132	€ 26.590	€ 27.286	€ 29.599	€ 30.374	€ 31.202	€ 32.157	€ 36.493	€ 37.439	€ 38.339	€ 39.096	€ 40.038	€ 40.799	€ 41.741	€ 42.492			€ 2.663	€ 709
FS3	€ 241	€ 252	€ 275	€ 302	€ 327	€ 352	€ 377	€ 402	€ 427	€ 452	€ 581	€ 606	€ 631	€ 656	€ 683	€ 708	€ 733	€ 758	€ 783	€ 808	€ 833	€ 858		
FS5-A	€ 44	€ 56	€ 65	€ 75	€ 87	€ 96	€ 108	€ 117	€ 129	€ 139	€ 150	€ 160	€ 171	€ 181	€ 192	€ 202	€ 214	€ 223	€ 235	€ 244	€ 256	€ 266		
FS5-E	€ 61	€ 77	€ 90	€ 103	€ 119	€ 132	€ 148	€ 162	€ 178	€ 191	€ 207	€ 220	€ 236	€ 249	€ 265	€ 278	€ 294	€ 307	€ 323	€ 336	€ 352	€ 366		

Side beam pillar is included in the price

FS3	Gutter System
FS5-A	Additional Fabric Support Profile (Standard)
FS5-E	Additional Fabric Support Profile (3 Axis)
FS4	Additional Rail - Al.Plus- 120x150mm
FS8	Lighting System
FS9-SPD	Price difference between Al. 50x150mm to Al. 100x150mm Special side beam and Al. 50x100mm to Al. 100x100mm side beam pillar

FS8	
FS8-S	SPOT
FS8-L	LINEAR
FS8-LR (RGB)	LINEAR (RGB)

LED TYPE & MODULE		
2 LED	3 LED	4 LED
€ 136	€ 165	€ 194
€ 194	€ 252	
€ 247	€ 320	

### Notes:

- FS9- Side Beam (Al. 50x150mm) is included in the price for right and left side. For other option which is FS9-S (Al. 100x150mm) Special Side Beam is extra cost. The difference of the cost applies with FS9-SPD option code and for only one side of the pergola. If 100x150 mm aluminum box profile is preferred as side beam, there will be no price difference, but this should be stated in the technical drawing.
- If the projection is bigger than 700cm, a side beam pillar needs to be added up to rail (FS15 or FS15-B), FS15 Side Beam Pillar (Al. 50x100mm) included in the product price. FS15-B Side beam (Al. 100x100mm) included in FS9-SPD option.
- FS Flexy Plain/3D or Stam 6002 is included in the price.
- Motor and Remote control is included in the price.
- Palmiye Aluminium Coating Catalogue includes the standard colours with no extra cost. For any other type/brand/color of paint, price difference and additional delivery duration shall be checked from your customer representative.
- Standard fabric support profile plastic colours are specified in Palmiye Aluminium Coating Catalogue.
- In pergolas including steel front pillars, if gutter option is preferred, external water drainage points will be specified according to the Project and will be priced additionally.

### DEDUCTIONS

Price deduction is applicable only for pillars and beam. Deduction amount shall be consider as 70% of related option price.

## OPTIONS

FS10	Extra pillar (100x100mm Al.)	€ 548	pcs
FS10-ST3	Extra pillar (100x100x3mm St.)	€ 525	pcs
FS10-ST5	Extra pillar (100x100x5mm St.)	€ 765	pcs
FS11	Deco ceiling cover	€ 72	m <sup>2</sup>
FS15	Side beam pillar (50x100mm - Al)	€ 284	pcs
FS15-B	Side beam pillar (100x100mm - Al)	€ 548	pcs
FS19	Fix louver	€ 75	lm
FS23	External Square Downpipe	€ 335	pcs
FS24	W96 Ceiling Cover	€ 84	m <sup>2</sup>
FS26	Exclusive fabric difference (up to 800cm width)	€ 49	m <sup>2</sup>
FS29-1	Sun Sensor (SUNIS) (for single motor)	€ 621	pcs
FS29-1S	Sun Sensor (SUNIS) (for synchronized motor)	€ 990	pcs
FS29-2	Wind Sensor (EOLIS RTS) (for single motor)	€ 293	pcs
FS29-2S	Wind Sensor (EOLIS RTS) (for synchronized motor)	€ 658	pcs
FS29-3	Sun and Wind Sensor (SOLIRIS RTS) (for single motor)	€ 331	pcs
FS29-3S	Sun and Wind Sensor (SOLIRIS RTS) (for synchronized motor)	€ 696	pcs
FS29-4 <sup>2/3</sup>	Rain Sensor (ONDEIS) (for single motor)	€ 574	pcs
FS29-4S <sup>2/3</sup>	Rain Sensor (ONDEIS) (for synchronized motor)	€ 938	pcs
FS30	CONNEXOON	€ 525	pcs

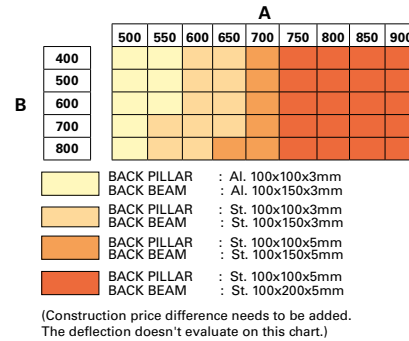
### Notes:

1. Fabric support profiles can be painted in the same color as the general construction. No fee is paid for this process. However, the plastic color should be specified from our standard plastic colours in Palmiye Color Chart.

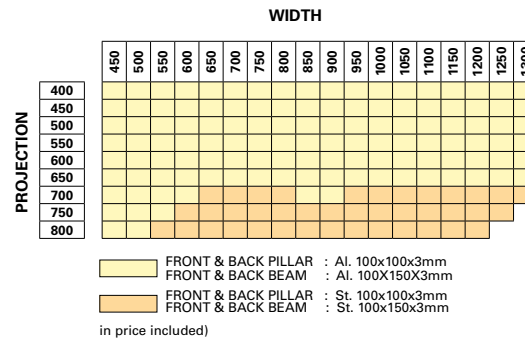
2. For one product, a dry contact transmitter costing 368€, must be added.

3. Up to 5 products, a RS485 Automation interface dry contact transmitter costing 1126€, must be added.

## BACK PILLAR POSITION CHANGE



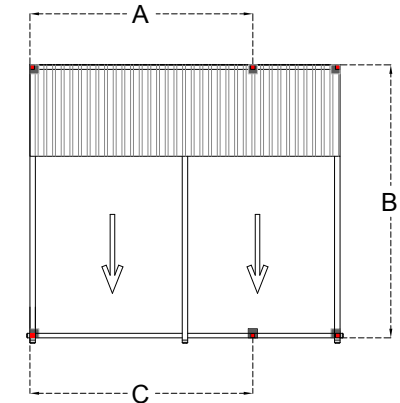
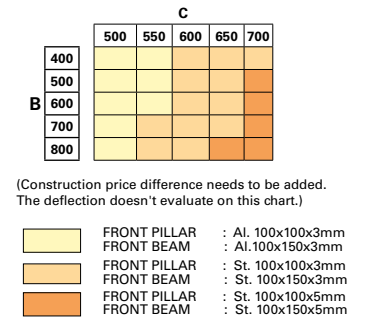
## STANDARD CONSTRUCTION



## EXTENSIONS

Rail	Plus - 120x150mm	€ 206	lm
Beam	Al. 100x150mm	€ 155	lm
Beam	St. 100x150x3mm	€ 320	lm
Beam	St. 100x150x5mm	€ 388	lm
Beam	St. 100x200x3mm	€ 325	lm
Beam	St. 100x200x5mm	€ 462	lm
Fabric protection cover	Al. - 63x__cm	€ 60	m <sup>2</sup>
Gutter	Special Profile	€ 45	lm
Pillar	Al. 100x100mm	€ 173	lm
Pillar	St. 100x100x3mm	€ 217	lm
Pillar	St. 100x100x5mm	€ 388	lm
Pillar	St. 150x150x3mm	€ 439	lm
Pillar	St. 150x150x5mm	€ 615	lm

## FRONT PILLAR POSITION CHANGE



## PRICE DIFFERENCE

		BEAM GROUP	
		Standard	Al. 100x150mm
Beam	to	St. 100x150x3mm	€ 160 lm
		St. 100x150x5mm	€ 238 lm
		St. 100x200x3mm	€ 165 lm
		St. 100x200x5mm	€ 311 lm
		PILLAR GROUP	
		Standard	Al. 100x100mm
Pillar	to	St. 100x100x3mm	€ 111 pcs
		St. 100x100x5mm	€ 456 pcs
		St. 150x150x3mm	€ 696 pcs
		St. 150x150x5mm	€ 1.231 pcs

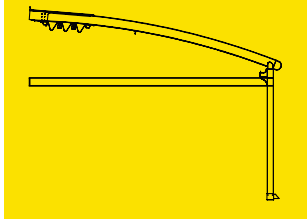
\*Max. Al. Front pillar (Al. 100x100mm) height is 280cm

\*Max. St 3mm. Front pillar (St. 100x100x3mm) height is 380cm

\*Max. St. 5mm Front pillar (St. 100x100x5mm) height is 480cm

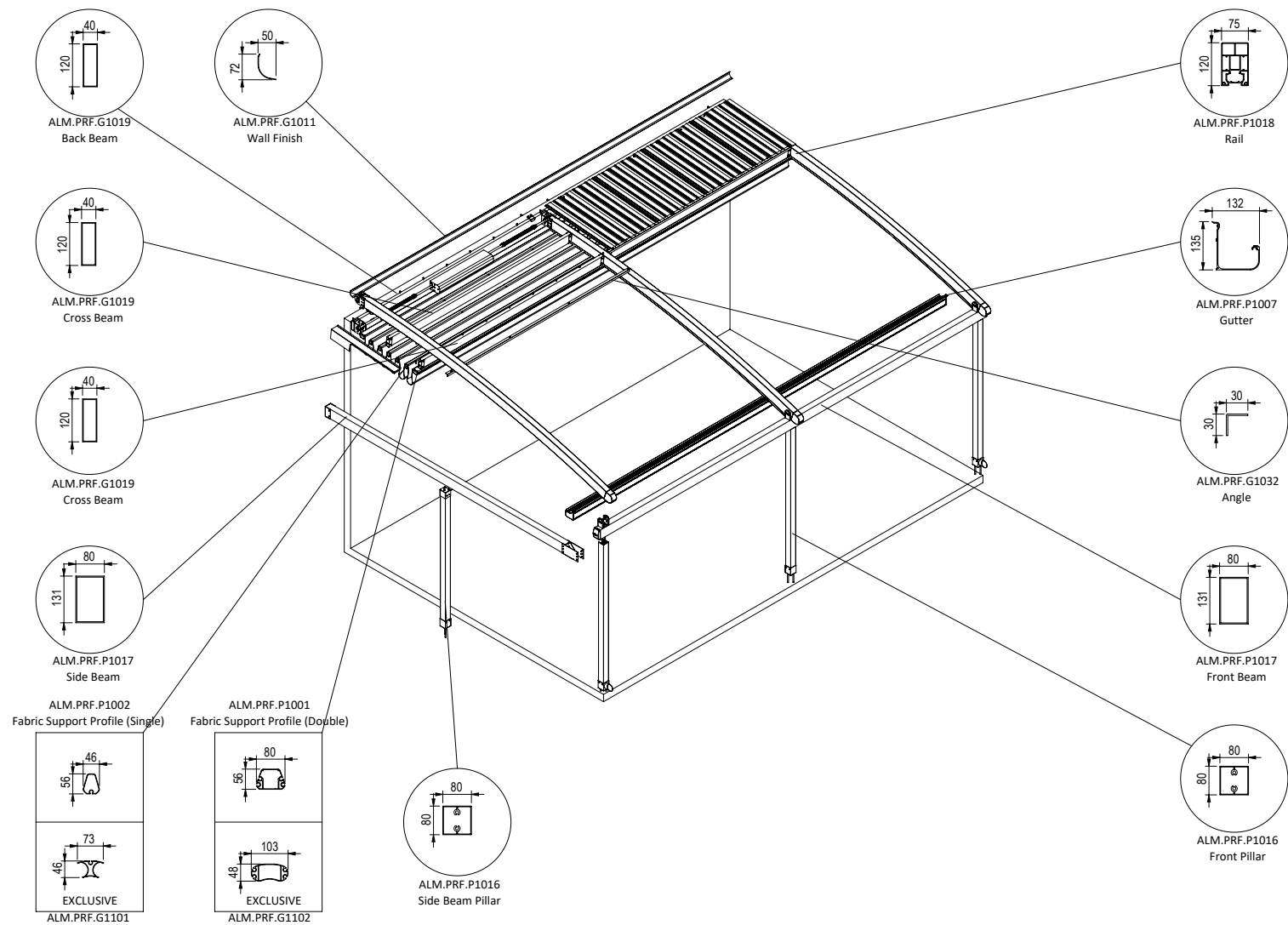
# CORAL

## Compact Wall / Ceiling



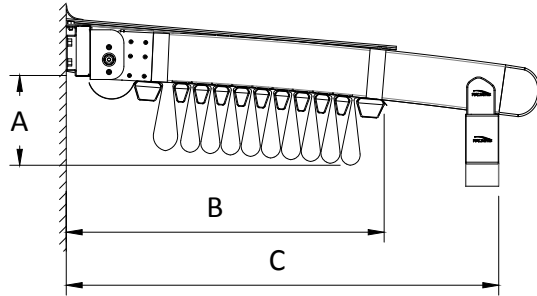
### MAXIMUM DIMENSIONS

	WIDTH	PROJECTION
2 RAILS	400 cm	600 cm
3 RAILS	800 cm	600 cm
4 RAILS	1200 cm	600 cm
5 RAILS	1300 cm	600 cm



# TECHNICAL FEATURES

## COLLECTED FABRIC DIMENSIONS



## DRAINAGE CALCULATION

Type	Max. m <sup>2</sup>
Compact	30 m <sup>2</sup> /pc

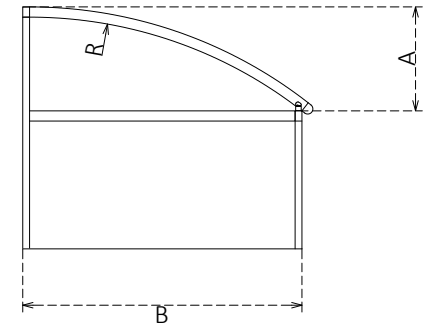
\* per drainage

There should be at least one drainage, each 8 m length gutter.

## RADIUS CHART

RADIUS	850	1500	2850
Projection	A		
250	63		
300	83		
350	107		
400	135	82	
450	168	98	
500		116	
550		137	
600		160	93

\*The values are approx. ± 5 cm



Projection cm										
	200	250	300	350	400	450	500	550	600	C
No of Fabric Support Profiles	5	30								68
	6		31							74
	7			32						81
	9				34					94
	10					35				100
	11						36			107
	13							38		120
	14								39	126
	15									133

\*Calculated according to a slope of 15%

## WIND RESISTANCE

PROJECTION (cm)	WIDTH (cm)																		
	450	500	550	600	650	700	750	800	850	900	950	1000	1050	1100	1150	1200	1250	1300	
400	11	11	11	11	11	11	11	11	11	11	11	11	11	11	11	11	11	11	11
450	11	11	11	11	11	11	10	10	11	11	11	11	11	11	10	10	11	11	11
500	11	11	10	10	10	10	10	9	11	10	10	10	10	10	10	9	10	10	10
550	10	10	10	10	10	9	9	9	10	10	10	10	9	9	9	9	10	10	10
600	10	10	10	9	9	9	8	8	10	9	9	9	9	9	8	8	9	9	9

All sides open

PROJECTION (cm)	WIDTH (cm)																		
	450	500	550	600	650	700	750	800	850	900	950	1000	1050	1100	1150	1200	1250	1300	
400	11	10	10	10	10	10	10	10	10	10	10	10	10	10	10	10	10	10	10
450	10	10	10	10	10	10	9	9	10	10	10	10	10	10	9	9	10	10	10
500	10	9	9	9	9	9	9	8	9	9	9	9	9	9	8	8	9	9	9
550	9	9	9	9	9	8	8	8	9	9	9	9	8	8	8	8	9	9	9
600	9	9	9	8	8	8	8	7	9	8	8	8	8	8	8	7	8	8	8

With side enclosure

\*The values are given according to the Beaufort scale.

\*\*Calculated for Products with a front height of 250 cm according to Eurocode EN 1991-1-4 Terrain Category 4.

\*\*\* You can ask for new calculations for special designs.

# CORAL Compact Wall / Ceiling



Width  
Projection

	2 RAILS				3 RAILS								4 RAILS							5 RAILS		FS4 FS10-C	FS9-C	
	250 cm	300 cm	350 cm	400 cm	450 cm	500 cm	550 cm	600 cm	650 cm	700 cm	750 cm	800 cm	850 cm	900 cm	950 cm	1000 cm	1050 cm	1100 cm	1150 cm	1200 cm	1250 cm			1300 cm
200 cm	€ 6.162	€ 6.464	€ 7.051	€ 7.358	€ 8.686	€ 8.987	€ 9.292	€ 9.594	€ 10.177	€ 10.482	€ 10.838	€ 11.139	€ 12.196	€ 12.490	€ 13.056	€ 13.348	€ 13.636	€ 13.924	€ 14.213	€ 14.501	€ 16.183	€ 16.637	€ 1.375	€ 200
250 cm	€ 6.486	€ 6.954	€ 7.395	€ 7.710	€ 9.176	€ 9.487	€ 9.960	€ 10.269	€ 10.709	€ 11.017	€ 11.384	€ 11.853	€ 13.045	€ 13.350	€ 13.769	€ 14.069	€ 14.527	€ 14.826	€ 15.124	€ 15.421	€ 17.240	€ 17.700	€ 1.477	€ 241
300 cm	€ 6.991	€ 7.511	€ 8.000	€ 8.359	€ 10.007	€ 10.366	€ 10.886	€ 11.245	€ 11.730	€ 12.089	€ 12.501	€ 13.019	€ 14.390	€ 14.736	€ 15.210	€ 15.556	€ 16.059	€ 16.401	€ 16.749	€ 17.097	€ 19.090	€ 19.601	€ 1.579	€ 283
350 cm	€ 7.483	€ 7.857	€ 8.351	€ 8.881	€ 10.667	€ 11.036	€ 11.406	€ 11.934	€ 12.430	€ 12.796	€ 13.223	€ 13.749	€ 15.260	€ 15.618	€ 16.252	€ 16.613	€ 16.968	€ 17.324	€ 17.834	€ 18.188	€ 20.323	€ 20.689	€ 1.681	€ 323
400 cm	€ 7.818	€ 8.200	€ 8.707	€ 9.242	€ 11.173	€ 11.552	€ 11.936	€ 12.469	€ 12.976	€ 13.354	€ 13.786	€ 14.319	€ 15.979	€ 16.343	€ 16.987	€ 17.356	€ 17.724	€ 18.087	€ 18.611	€ 18.972	€ 21.251	€ 21.625	€ 1.781	€ 366
450 cm	€ 8.162	€ 8.553	€ 9.068	€ 9.618	€ 11.689	€ 12.080	€ 12.471	€ 13.013	€ 13.530	€ 13.917	€ 14.362	€ 14.907	€ 16.701	€ 17.079	€ 17.735	€ 18.111	€ 18.486	€ 18.862	€ 19.393	€ 19.767	€ 22.184	€ 22.566	€ 1.883	€ 406
500 cm	€ 8.497	€ 8.898	€ 9.425	€ 9.981	€ 12.198	€ 12.598	€ 12.997	€ 13.550	€ 14.076	€ 14.473	€ 14.925	€ 15.477	€ 17.421	€ 17.806	€ 18.472	€ 18.860	€ 19.243	€ 19.625	€ 20.167	€ 20.553	€ 23.110	€ 23.505	€ 1.985	€ 448
550 cm	€ 9.017	€ 9.620	€ 10.196	€ 10.798	€ 13.195	€ 13.644	€ 14.248	€ 14.675	€ 15.421	€ 15.866	€ 16.366	€ 16.965	€ 19.090	€ 19.679	€ 20.235	€ 20.667	€ 21.258	€ 21.686	€ 22.272	€ 22.704	€ 25.445	€ 26.038	€ 2.087	€ 489
600 cm	€ 9.365	€ 9.977	€ 10.563	€ 11.174	€ 13.713	€ 14.170	€ 14.785	€ 15.242	€ 15.979	€ 16.435	€ 16.944	€ 17.552	€ 19.819	€ 20.414	€ 21.107	€ 21.426	€ 22.025	€ 22.465	€ 23.060	€ 23.503	€ 26.382	€ 26.987	€ 2.189	€ 531
FS3	€ 241	€ 252	€ 275	€ 302	€ 327	€ 352	€ 377	€ 402	€ 427	€ 452	€ 581	€ 606	€ 631	€ 656	€ 683	€ 708	€ 733	€ 758	€ 783	€ 808	€ 833	€ 858		
FS5-A	€ 44	€ 56	€ 65	€ 75	€ 87	€ 96	€ 108	€ 117	€ 129	€ 139	€ 150	€ 160	€ 171	€ 181	€ 192	€ 202	€ 214	€ 223	€ 235	€ 244	€ 256	€ 266		
FS5-E	€ 61	€ 77	€ 90	€ 103	€ 119	€ 132	€ 148	€ 162	€ 178	€ 191	€ 207	€ 220	€ 236	€ 249	€ 265	€ 278	€ 294	€ 307	€ 323	€ 336	€ 352	€ 366		

FS3	Gutter System
FS5-A	Additional Fabric Support Profile (Standard)
FS5-E	Additional Fabric Support Profile (3 Axis)
FS4 FS10-C	Additional Rail for Compact Series- Al.- 75x120mm Additional Pillar for Compact Series- Al.- 80x80mm
FS8	Lighting System
FS9-C	Side Beam for Compact Series- Al.- 80x130mm

FS8	
FS8-S	SPOT
FS8-L	LINEAR
FS8-LR (RGB)	LINEAR (RGB)

LEDTYPE & MODULE		
2 LED	3 LED	4 LED
€ 136	€ 165	€ 194
€ 194	€ 252	
€ 247	€ 320	

### Notes:

- Any side beam is not included in the price.
- FS Flexy Plain/3D or Stam 6002 is included in the price.
- Motor and Remote control is included in the price.
- Palmiye Aluminium Coating Catalogue includes the standard colours with no extra cost. For any other type/brand/color of paint, price difference and additional delivery duration shall be checked from your customer representative.
- Standard fabric support profile plastic colours are specified in Palmiye Aluminium Coating Catalogue.
- If you use an additional rail you have to add a front pillar. It's included in the price. (FS4+FS10-C)

### DEDUCTIONS

Price deduction is applicable only for pillars and beam. Deduction amount shall be consider as 70% of related option price.

## OPTIONS

FS10-C	Extra pillar (80x80mm Al.)	€ 403	pcs
FS10	Extra pillar (100x100mm Al.)	€ 548	pcs
FS10-ST3	Extra pillar (100x100x3mm St.)	€ 525	pcs
FS10-ST5	Extra pillar (100x100x5mm St.)	€ 765	pcs
FS11	Deco ceiling cover	€ 72	m <sup>2</sup>
FS15-C	Side beam pillar (80x80mm - Al)	€ 403	pcs
FS19	Fix louver	€ 75	lm
FS23	External Square Downpipe	€ 335	pcs
FS24	W96 Ceiling Cover	€ 84	m <sup>2</sup>
FS26	Exclusive fabric difference (up to 800cm width)	€ 49	m <sup>2</sup>
FS29-1	Sun Sensor (SUNIS) (for single motor)	€ 621	pcs
FS29-1S	Sun Sensor (SUNIS) (for synchronized motor)	€ 990	pcs
FS29-2	Wind Sensor (EOLIS RTS) (for single motor)	€ 293	pcs
FS29-2S	Wind Sensor (EOLIS RTS) (for synchronized motor)	€ 658	pcs
FS29-3	Sun and Wind Sensor (SOLIRIS RTS) (for single motor)	€ 331	pcs
FS29-3S	Sun and Wind Sensor (SOLIRIS RTS) (for synchronized motor)	€ 696	pcs
FS29-4 <sup>2/3</sup>	Rain Sensor (ONDEIS) (for single motor)	€ 574	pcs
FS29-4S <sup>2/3</sup>	Rain Sensor (ONDEIS) (for synchronized motor)	€ 938	pcs
FS30	CONNEXOON	€ 525	pcs

### Notes:

1. Fabric support profiles can be painted in the same color as the general construction. No fee is paid for this process. However, the plastic color should be specified from our standard plastic colours in Palmiye Color Chart.
2. For one product, a dry contact transmitter costing 368€, must be added.
3. Up to 5 products, a RS485 Automation interface dry contact transmitter costing 1126€, must be added.

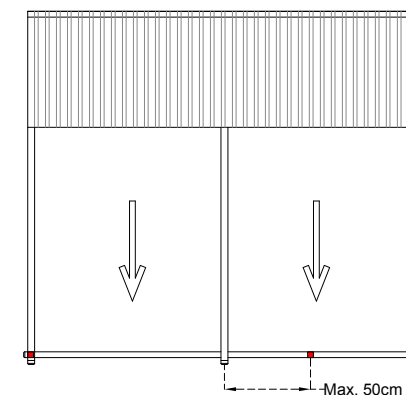
## EXTENSIONS

Rail	Compact - 75x120mm	€ 206	lm
Beam	Al. 40x120mm	€ 65	lm
Beam	Al. 42x150mm	€ 105	lm
Beam	Al. 50x150mm	€ 186	lm
Beam	Al. 80x130mm	€ 98	lm
Beam	Al. 100x150mm	€ 155	lm
Beam	St. 100x150x3mm	€ 320	lm
Beam	St. 100x150x5mm	€ 388	lm
Beam	St. 100x200x3mm	€ 325	lm
Beam	St. 100x200x5mm	€ 462	lm
Fabric protection cover	Al. - 63x___cm	€ 60	m <sup>2</sup>
Gutter	Special Profile	€ 45	lm
Pillar	Al. 80x80mm	€ 87	lm
Pillar	Al. 100x100mm	€ 173	lm
Pillar	St. 100x100x3mm	€ 217	lm
Pillar	St. 100x100x5mm	€ 388	lm
Pillar	St. 150x150x3mm	€ 439	lm
Pillar	St. 150x150x5mm	€ 615	lm

\*Max. Al. Front pillar (Al. 80x80mm) height is 280cm

\*Max. St 3mm. Front pillar (St. 100x100x3mm) height is 380cm

\*Max. St. 5mm Front pillar (St. 100x100x5mm) height is 480cm



Middle front pillars can only be moved max. 50 cm towards right or left side.

## PRICE DIFFERENCE

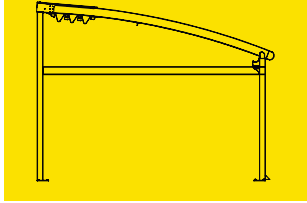
		BEAM GROUP		
		Standard	Al. 40x120mm	
Back Beam	to		Al. 42x150mm	€ 40 lm
			Al. 50x150mm	€ 122 lm
			Al. 80x130mm	€ 31 lm
			St. 50x150x3mm	€ 156 lm
			St. 50x150x5mm	€ 244 lm
			Al. 100x150mm	€ 89 lm
			St. 100x150x3mm	€ 262 lm
			St. 100x150x5mm	€ 336 lm
			St. 100x200x3mm	€ 266 lm
			St. 100x200x5mm	€ 410 lm

		Standard	Al. 80x130mm	
Front Beam	to		Al. 100x150mm	€ 57 lm
			St. 100x150x3mm	€ 234 lm
			St. 100x150x5mm	€ 312 lm
			St. 100x200x3mm	€ 239 lm
			St. 100x200x5mm	€ 385 lm

		PILLAR GROUP		
		Standard	Al. 80x80mm	
Front Pillar	to		Al. 100x100mm	€ 142 pcs
			St. 100x100x3mm	€ 296 pcs
			St. 100x100x5mm	€ 641 pcs
			St. 150x150x3mm	€ 881 pcs
			St. 150x150x5mm	€ 1.416 pcs

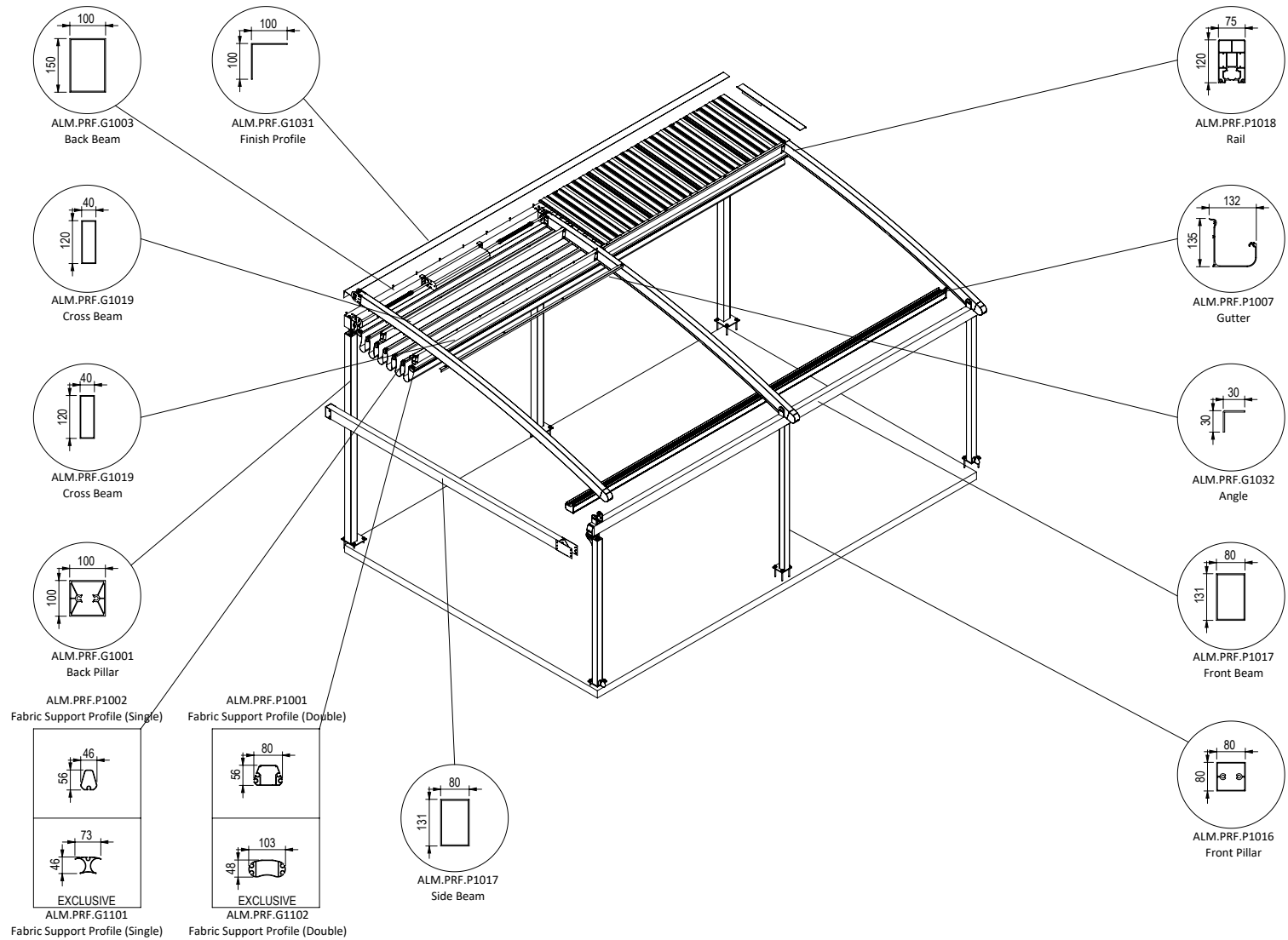
# CORAL

## Compact Freestanding



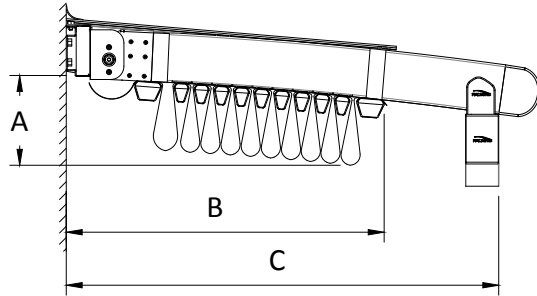
### MAXIMUM DIMENSIONS

	WIDTH	PROJECTION
2 RAILS	400 cm	600 cm
3 RAILS	800 cm	600 cm
4 RAILS	1200 cm	600 cm
5 RAILS	1300 cm	600 cm



# TECHNICAL FEATURES

## COLLECTED FABRIC DIMENSIONS



## DRAINAGE CALCULATION

Type	Max. m <sup>2</sup>
Compact	30 m <sup>2</sup> /pc

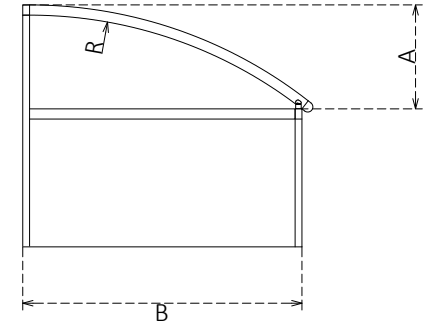
\* per drainage

There should be at least one drainage, each 8 m length gutter.

## RADIUS CHART

RADIUS	850	1500	2850	
Projection	A			B
250	63			
300	83			
350	107			
400	135	82		
450	168	98		
500		116		
550		137		
600		160	93	

\*The values are approx. ± 5 cm



No of Fabric Support Profiles	Projection cm									
	200	250	300	350	400	450	500	550	600	C
5	31									73
6		32								79
7			33							86
9				35						99
10					36					105
11						37				112
13							39			125
14								40		131
15									41	138

\*Calculated according to a slope of 15%

## WIND RESISTANCE

PROJECTION (cm)	WIDTH (cm)																	
	450	500	550	600	650	700	750	800	850	900	950	1000	1050	1100	1150	1200	1250	1300
400	11	11	11	10	10	9	8	8	11	10	10	10	9	9	8	8	10	10
450	11	10	10	9	9	8	7	7	10	9	9	9	8	8	7	7	9	9
500	10	9	9	8	8	7	7	7	9	8	8	8	7	7	7	7	8	8
550	10	9	8	8	8	6	6	6	9	8	8	8	6	6	6	6	8	8
600	9	8	8	7	7	6	6	6	8	7	7	7	6	6	6	6	7	7

All sides open

PROJECTION (cm)	WIDTH (cm)																	
	450	500	550	600	650	700	750	800	850	900	950	1000	1050	1100	1150	1200	1250	1300
400	10	10	10	10	9	8	8	8	10	10	9	9	8	8	8	8	9	9
450	10	10	9	9	9	8	8	7	10	9	9	9	8	8	8	7	9	9
500	9	9	9	9	9	7	7	7	9	9	9	9	7	7	7	7	9	9
550	9	9	9	9	8	7	7	7	9	9	8	8	7	7	7	7	8	8
600	9	9	9	9	8	7	7	7	9	9	8	8	7	7	7	7	8	8

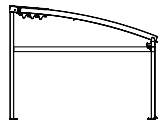
With side enclosure

\*The values are given according to the Beaufort scale.

\*\*Calculated for Products with a front height of 250 cm according to Eurocode EN 1991-1-4 Terrain Category 4.

\*\*\* You can ask for new calculations for special designs.

# CORAL Compact Freestanding



Width  
Projection

Projection	2 RAILS				3 RAILS								4 RAILS							5 RAILS		FS4 FS10-C	
	250 cm	300 cm	350 cm	400 cm	450 cm	500 cm	550 cm	600 cm	650 cm	700 cm	750 cm	800 cm	850 cm	900 cm	950 cm	1000 cm	1050 cm	1100 cm	1150 cm	1200 cm	1250 cm		1300 cm
200 cm	€ 7.713	€ 8.036	€ 8.647	€ 8.975	€ 10.853	€ 11.176	€ 11.502	€ 11.827	€ 12.433	€ 12.761	€ 13.139	€ 13.462	€ 15.064	€ 15.382	€ 15.972	€ 16.285	€ 16.597	€ 16.906	€ 17.218	€ 17.529	€ 19.756	€ 20.234	€ 1.375
250 cm	€ 8.115	€ 8.606	€ 9.070	€ 9.407	€ 11.421	€ 11.754	€ 12.249	€ 12.580	€ 13.043	€ 13.374	€ 13.763	€ 14.256	€ 15.992	€ 16.320	€ 16.763	€ 17.084	€ 17.567	€ 17.887	€ 18.208	€ 18.528	€ 20.893	€ 21.376	€ 1.477
300 cm	€ 8.703	€ 9.245	€ 9.757	€ 10.139	€ 12.333	€ 12.716	€ 13.258	€ 13.638	€ 14.148	€ 14.530	€ 14.962	€ 15.502	€ 17.422	€ 17.789	€ 18.285	€ 18.655	€ 19.180	€ 19.544	€ 19.916	€ 20.286	€ 22.826	€ 23.358	€ 1.579
350 cm	€ 9.273	€ 9.672	€ 10.187	€ 10.737	€ 13.071	€ 13.464	€ 13.856	€ 14.405	€ 14.923	€ 15.315	€ 15.763	€ 16.311	€ 18.369	€ 18.749	€ 19.407	€ 19.789	€ 20.168	€ 20.546	€ 21.079	€ 21.455	€ 24.137	€ 24.525	€ 1.681
400 cm	€ 9.689	€ 10.096	€ 10.624	€ 11.183	€ 13.659	€ 14.063	€ 14.469	€ 15.024	€ 15.554	€ 15.953	€ 16.409	€ 16.966	€ 19.170	€ 19.557	€ 20.225	€ 20.617	€ 21.007	€ 21.391	€ 21.939	€ 22.321	€ 25.146	€ 25.545	€ 1.781
450 cm	€ 10.114	€ 10.526	€ 11.065	€ 11.637	€ 14.255	€ 14.668	€ 15.081	€ 15.646	€ 16.186	€ 16.595	€ 17.063	€ 17.630	€ 19.972	€ 20.372	€ 21.050	€ 21.451	€ 21.846	€ 22.243	€ 22.798	€ 23.195	€ 26.160	€ 26.562	€ 1.883
500 cm	€ 10.531	€ 10.955	€ 11.504	€ 12.082	€ 14.847	€ 15.269	€ 15.688	€ 16.267	€ 16.814	€ 17.234	€ 17.709	€ 18.282	€ 20.774	€ 21.181	€ 21.871	€ 22.280	€ 22.685	€ 23.089	€ 23.655	€ 24.062	€ 27.168	€ 27.583	€ 1.985
550 cm	€ 11.131	€ 11.754	€ 12.353	€ 12.979	€ 15.923	€ 16.394	€ 17.020	€ 17.468	€ 18.238	€ 18.704	€ 19.227	€ 19.848	€ 22.522	€ 23.134	€ 23.711	€ 24.166	€ 24.778	€ 25.229	€ 25.840	€ 26.292	€ 29.582	€ 30.197	€ 2.087
600 cm	€ 11.560	€ 12.194	€ 12.802	€ 13.438	€ 16.522	€ 17.001	€ 17.639	€ 18.119	€ 18.877	€ 19.357	€ 19.890	€ 20.519	€ 23.333	€ 23.950	€ 24.665	€ 25.007	€ 25.629	€ 26.090	€ 26.708	€ 27.174	€ 30.599	€ 31.227	€ 2.189
FS3	€ 241	€ 252	€ 275	€ 302	€ 327	€ 352	€ 377	€ 402	€ 427	€ 452	€ 581	€ 606	€ 631	€ 656	€ 683	€ 708	€ 733	€ 758	€ 783	€ 808	€ 833	€ 858	
FS5-A	€ 44	€ 56	€ 65	€ 75	€ 87	€ 96	€ 108	€ 117	€ 129	€ 139	€ 150	€ 160	€ 171	€ 181	€ 192	€ 202	€ 214	€ 223	€ 235	€ 244	€ 256	€ 266	
FS5-E	€ 61	€ 77	€ 90	€ 103	€ 119	€ 132	€ 148	€ 162	€ 178	€ 191	€ 207	€ 220	€ 236	€ 249	€ 265	€ 278	€ 294	€ 307	€ 323	€ 336	€ 352	€ 366	

FS3	Gutter System
FS5-A	Additional Fabric Support Profile (Standard)
FS5-E	Additional Fabric Support Profile (3 Axis)
FS4 FS10-C	Additional Rail for Compact Series- AL- 75x120mm Additional Pillar for Compact Series- AL- 80x80mm
FS8	Lighting System

FS8	
FS8-S	SPOT
FS8-L	LINEAR
FS8-LR (RGB)	LINEAR (RGB)

LEDTYPE & MODULE		
2 LED	3 LED	4 LED
€ 136	€ 165	€ 194
€ 194	€ 252	
€ 247	€ 320	

### Notes:

- FS9-C- Side Beam (Al. 80x130mm) is included in the price for right and left side.
- FS Flexy Plain/3D or Stam 6002 is included in the price.
- Motor and Remote control is included in the price.
- Palmiye Aluminium Coating Catalogue includes the standard colours with no extra cost. For any other type/brand/color of paint, price difference and additional delivery duration shall be checked from your customer representative.
- Standard fabric support profile plastic colours are specified in Palmiye Aluminium Coating Catalogue.
- If you use an additional rail you have to add a front pillar. It's included in the price. (FS4+FS10-C)
- In pergolas including steel front pillars, if gutter option is preferred, external water drainage points will be specified according to the Project and will be priced additionally.

### DEDUCTIONS

Price deduction is applicable only for pillars and beam. Deduction amount shall be consider as 70% of related option price.

## OPTIONS

FS10-C	Extra pillar (80x80mm Al.)	€ 403	pcs
FS10	Extra pillar (100x100mm Al.)	€ 548	pcs
FS10-ST3	Extra pillar (100x100x3mm St.)	€ 525	pcs
FS10-ST5	Extra pillar (100x100x5mm St.)	€ 765	pcs
FS11	Deco ceiling cover	€ 72	m <sup>2</sup>
FS15-C	Side beam pillar (80x80mm - Al)	€ 403	pcs
FS19	Fix louver	€ 75	lm
FS23	External Square Downpipe	€ 335	pcs
FS24	W96 Ceiling Cover	€ 84	m <sup>2</sup>
FS26	Exclusive fabric difference (up to 800cm width)	€ 49	m <sup>2</sup>
FS29-1	Sun Sensor (SUNIS) (for single motor)	€ 621	pcs
FS29-1S	Sun Sensor (SUNIS) (for synchronized motor)	€ 990	pcs
FS29-2	Wind Sensor (EOLIS RTS) (for single motor)	€ 293	pcs
FS29-2S	Wind Sensor (EOLIS RTS) (for synchronized motor)	€ 658	pcs
FS29-3	Sun and Wind Sensor (SOLIRIS RTS) (for single motor)	€ 331	pcs
FS29-3S	Sun and Wind Sensor (SOLIRIS RTS) (for synchronized motor)	€ 696	pcs
FS29-4 <sup>2/3</sup>	Rain Sensor (ONDEIS) (for single motor)	€ 574	pcs
FS29-4S <sup>2/3</sup>	Rain Sensor (ONDEIS) (for synchronized motor)	€ 938	pcs
FS30	CONNEXOON	€ 525	pcs

## BACK PILLAR POSITION CHANGE

		A								
		500	550	600	650	700	750	800	850	900
B	400									
	500									
	600									

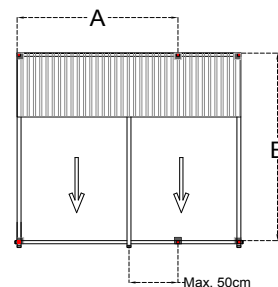
BACK PILLAR : Al. 100x100x3mm  
 BACK BEAM : Al. 100x150x3mm  
 BACK PILLAR : St. 100x100x3mm  
 BACK BEAM : St. 100x150x3mm  
 BACK PILLAR : St. 100x100x5mm  
 BACK BEAM : St. 100x150x5mm  
 BACK PILLAR : St. 100x100x5mm  
 BACK BEAM : St. 100x150x5mm

(Construction price difference needs to be added.  
The deflection doesn't evaluate on this chart.)

## EXTENSIONS

Rail	Compact - 75x120mm	€ 206	lm
Beam	Al. 80x130mm	€ 98	lm
Beam	Al. 100x150mm	€ 155	lm
Beam	St. 100x150x3mm	€ 320	lm
Beam	St. 100x150x5mm	€ 388	lm
Beam	St. 100x200x3mm	€ 325	lm
Beam	St. 100x200x5mm	€ 462	lm
Fabric protection cover	Al. - 63x__cm	€ 60	m <sup>2</sup>
Gutter	Special Profile	€ 45	lm
Pillar	Al. 80x80mm	€ 87	lm
Pillar	Al. 100x100mm	€ 173	lm
Pillar	St. 100x100x3mm	€ 217	lm
Pillar	St. 100x100x5mm	€ 388	lm
Pillar	St. 150x150x3mm	€ 439	lm
Pillar	St. 150x150x5mm	€ 615	lm

\*Max. Al. Front pillar (Al. 80x80mm) height is 280cm  
 \*Max. St 3mm. Front pillar (St. 100x100x3mm) height is 380cm  
 \*Max. St. 5mm Front pillar (St. 100x100x5mm) height is 480cm



Middle front pillars can only be moved max. 50 cm towards right or left side.

## STANDARD CONSTRUCTION

		WIDTH																	
		450	500	550	600	650	700	750	800	850	900	950	1000	1050	1100	1150	1200	1250	1300
PROJECTION	400																		
	450																		
	500																		
	550																		
600																			

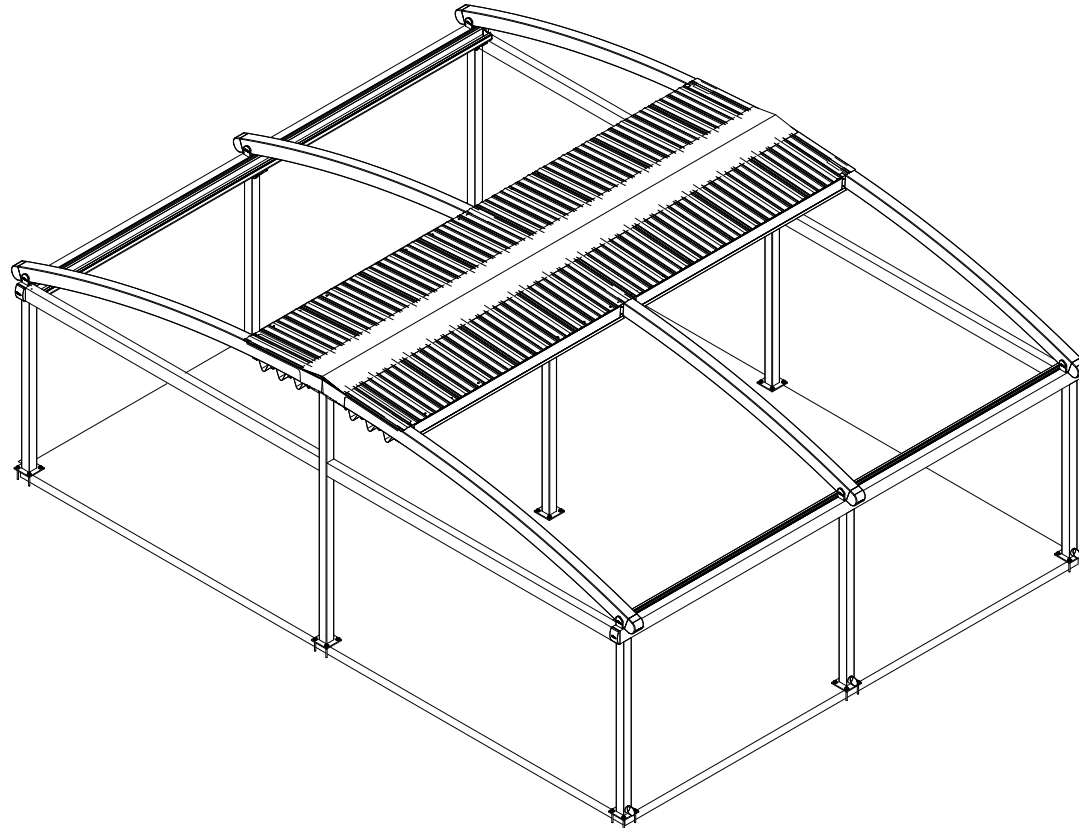
BACK PILLAR : Al. 100x100x3mm  
 BACK BEAM : Al. 100x150x3mm  
 (in price included)

## PRICE DIFFERENCE

		BEAM GROUP			
		Standard	Al. 100x150mm		
Back Beam	to	St. 100x150x3mm	€ 160	lm	
		St. 100x150x5mm	€ 238	lm	
		St. 100x200x3mm	€ 165	lm	
		St. 100x200x5mm	€ 311	lm	
		Standard	Al. 80x130mm		
Front Beam	to	Al. 100x150mm	€ 57	lm	
		St. 100x150x3mm	€ 234	lm	
		St. 100x150x5mm	€ 312	lm	
		St. 100x200x3mm	€ 239	lm	
		St. 100x200x5mm	€ 385	lm	
		PILLAR GROUP			
		Standard	Al. 100x100mm		
Back Pillar	to	St. 100x100x3mm	€ 111	pcs	
		St. 100x100x5mm	€ 456	pcs	
		St. 150x150x3mm	€ 696	pcs	
		St. 150x150x5mm	€ 1.231	pcs	
		Standard	Al. 80x80mm		
Front Pillar	to	Al. 100x100mm	€ 142	pcs	
		St. 100x100x3mm	€ 296	pcs	
		St. 100x100x5mm	€ 641	pcs	
		St. 150x150x3mm	€ 881	pcs	
		St. 150x150x5mm	€ 1.416	pcs	

### Notes:

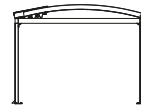
1. Fabric support profiles can be painted in the same color as the general construction. No fee is paid for this process. However, the plastic color should be specified from our standard plastic colours in Palmiye Color Chart.
2. For one product, a dry contact transmitter costing 368€, must be added.
3. Up to 5 products, a RS485 Automation interface dry contact transmitter costing 1126€, must be added.



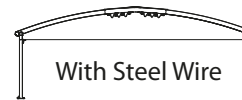
**CORAL TWIN**

## PRODUCT FORMS

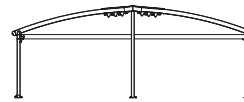
- **Coral Twin** Single Motor
- 



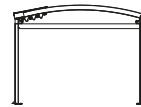
- **Coral Twin** Without Middle Pillar
- 



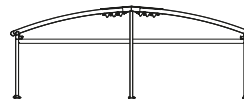
- **Coral Twin**
- 



- **Coral Compact Twin** Single Motor
- 



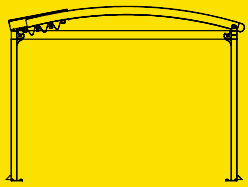
- **Coral Compact Twin**
- 



# CORAL

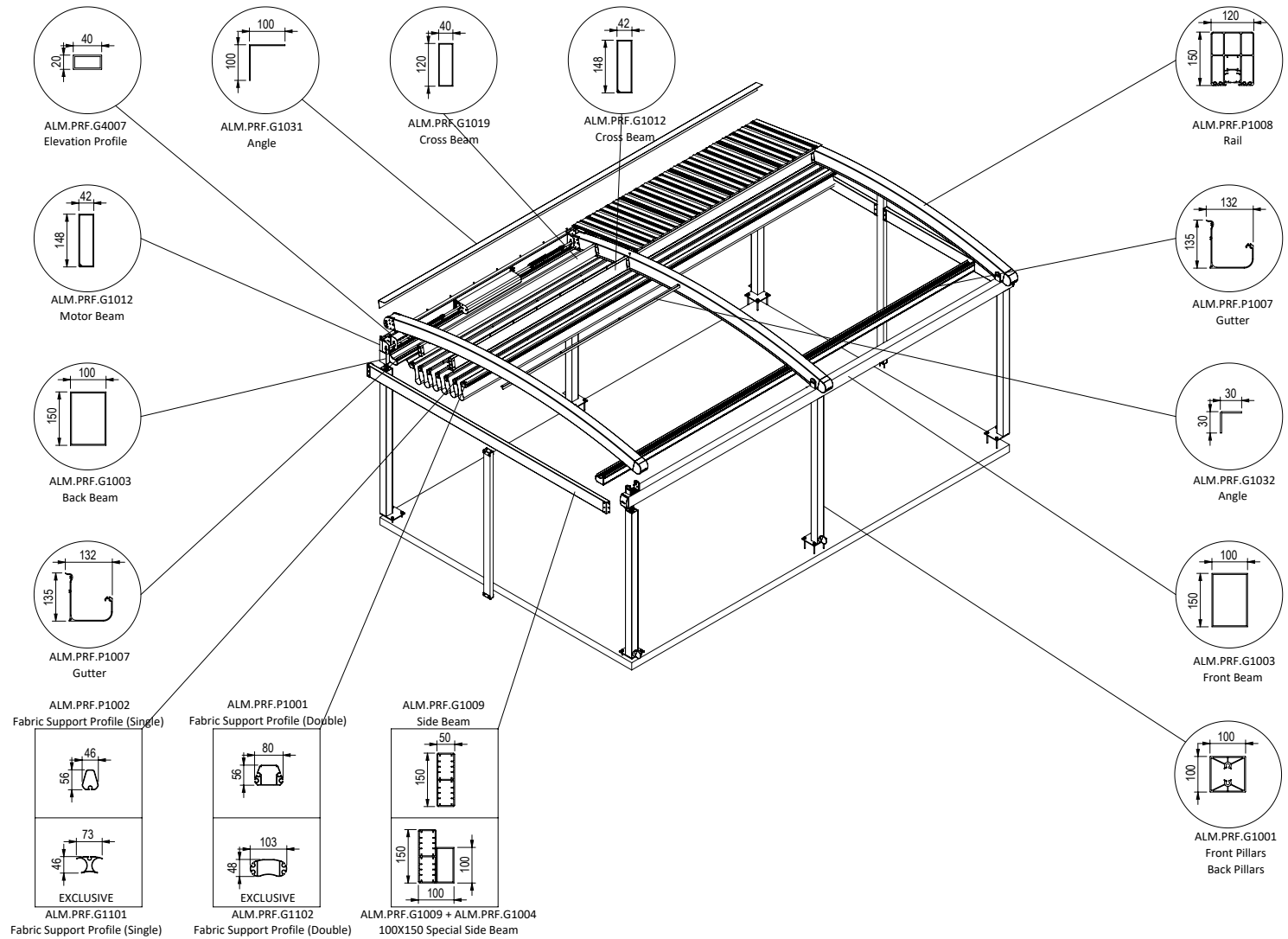
## Twin

### Single Motor



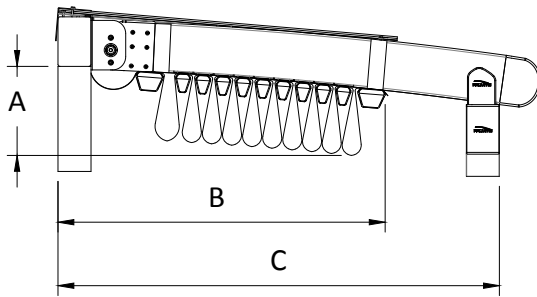
#### MAXIMUM DIMENSIONS

	WIDTH	PROJECTION
2 RAILS	350 cm	800 cm
3 RAILS	700 cm	800cm
	800 cm	800cm
4 RAILS	900 cm	700 cm
	1050 cm	600 cm
5 RAILS	1100 cm	600 cm
	1300 cm	500 cm



# TECHNICAL FEATURES

## COLLECTED FABRIC DIMENSIONS



Projection cm		C											
200	250	300	350	400	450	500	550	600	650	700	750	800	
9	31												104
9	31												104
11		32											117
13			33										130
15				36									143
17					37								156
17						37							156
19							40						169
21								42					182
23									44				195
25										46			208
27											48		221
29												50	234

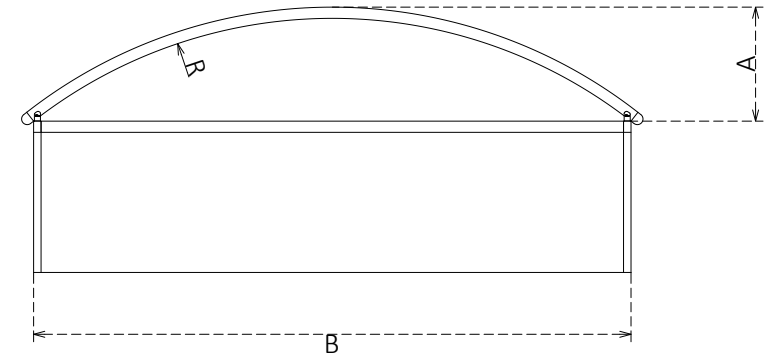
\*Calculated according to a slope of 15%

## DRAINAGE CALCULATION

Type	Max. m <sup>2</sup>
Full	39 m <sup>2</sup> /pc
Half	18 m <sup>2</sup> /pc

\* per drainage

There should be at least one drainage, each 8 m length gutter.



## RADIUS CHART

RADIUS	R615	R850
Projection	A	
250	27	
300	33	
350	39	
400	47	
450	56	45
500	66	53
550	77	61
600		70
650		80
700		91
750		103
800		116

\*The values are approx. ± 5 cm

## WIND RESISTANCE

PROJECTION (cm)	WIDTH (cm)																		
	450	500	550	600	650	700	750	800	850	900	950	1000	1050	1100	1150	1200	1250	1300	
400	11	11	11	11	11	11	11	11	11	11	11	11	11	11	11	11	11	11	11
450	11	11	11	11	11	11	11	11	11	11	11	11	11	11	11	11	11	11	11
500	11	11	11	11	10	10	11	11	11	11	10	10	11	11	11	11	10	10	
550	11	11	10	10	10	10	11	10	10	10	10	10	11	10	10	10			
600	10	10	10	9	9	9	10	10	9	9	9	9	10	10					
650	10	9	9	8	8	8	9	9	8	8	8	8							
700	9	8	8	8	7	7	8	8	8	8									
750	9	8	8	8	7	7	8	8											
800	8	8	8	8	7	7	8	8											

All sides open

PROJECTION (cm)	WIDTH (cm)																		
	450	500	550	600	650	700	750	800	850	900	950	1000	1050	1100	1150	1200	1250	1300	
400	10	10	9	9	9	9	10	9	9	9	9	9	10	9	9	9	9	9	9
450	10	9	9	9	9	9	9	9	9	9	9	9	9	9	9	9	9	9	9
500	10	9	9	9	9	9	9	9	9	9	9	9	9	9	9	9	9	9	9
550	9	9	9	9	9	9	9	9	9	9	9	9	9	9	9	9	9	9	9
600	9	9	9	9	8	8	9	9	9	9	8	8	9	9					
650	9	9	9	8	8	8	9	9	8	8	8	8							
700	8	8	8	8	8	8	8	8	8	8	8	8							
750	8	8	8	8	8	8	8	8	8	8	8	8							
800	8	8	8	8	8	8	8	8	8	8	8	8							

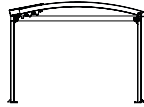
With side enclosure

\*The values are given according to the Beaufort scale.

\*\*Calculated for Products with a front height of 250 cm according to Eurocode EN 1991-1-4 Terrain Category 4.

\*\*\* You can ask for new calculations for special designs.

# CORAL Twin Single Motor



Projection	2 RAILS			3 RAILS							4 RAILS							5 RAILS					FS4	FS9-SPD
	250 cm	300 cm	350 cm	400 cm	450 cm	500 cm	550 cm	600 cm	650 cm	700 cm	750 cm	800 cm	850 cm	900 cm	950 cm	1000 cm	1050 cm	1100 cm	1150 cm	1200 cm	1250 cm	1300 cm		
200 cm	€ 9.030	€ 9.499	€ 10.131	€ 11.807	€ 12.439	€ 12.918	€ 13.360	€ 13.802	€ 14.592	€ 14.974	€ 16.496	€ 16.959	€ 17.587	€ 18.058	€ 18.839	€ 19.275	€ 19.713	€ 20.940	€ 21.279	€ 21.545	€ 24.107	€ 24.828	€ 1.185	€ 80
250 cm	€ 9.412	€ 10.111	€ 10.728	€ 12.269	€ 12.918	€ 13.495	€ 14.164	€ 14.616	€ 15.213	€ 15.606	€ 17.186	€ 17.889	€ 18.771	€ 19.025	€ 19.672	€ 20.122	€ 20.785	€ 22.054	€ 22.401	€ 22.673	€ 25.351	€ 26.084	€ 1.308	€ 110
300 cm	€ 10.080	€ 10.858	€ 11.548	€ 13.238	€ 13.986	€ 14.656	€ 15.397	€ 15.924	€ 16.593	€ 17.052	€ 18.812	€ 19.593	€ 20.572	€ 20.909	€ 21.614	€ 22.140	€ 22.876	€ 24.283	€ 24.696	€ 25.018	€ 27.981	€ 28.791	€ 1.432	€ 140
350 cm	€ 10.695	€ 11.268	€ 11.974	€ 13.945	€ 14.716	€ 15.461	€ 16.007	€ 16.759	€ 17.445	€ 17.911	€ 19.744	€ 20.545	€ 21.558	€ 21.897	€ 22.892	€ 23.430	€ 23.971	€ 25.427	€ 26.059	€ 26.386	€ 29.483	€ 30.078	€ 1.555	€ 171
400 cm	€ 11.090	€ 11.679	€ 12.398	€ 14.418	€ 15.213	€ 16.058	€ 16.618	€ 17.383	€ 18.081	€ 18.562	€ 20.455	€ 21.267	€ 22.295	€ 22.661	€ 23.750	€ 24.303	€ 24.859	€ 26.355	€ 26.997	€ 27.330	€ 30.524	€ 31.135	€ 1.678	€ 201
450 cm	€ 11.499	€ 12.102	€ 12.836	€ 14.906	€ 15.722	€ 16.670	€ 17.246	€ 18.027	€ 18.738	€ 19.230	€ 21.182	€ 22.010	€ 23.060	€ 23.440	€ 24.630	€ 25.196	€ 25.762	€ 27.305	€ 27.956	€ 28.291	€ 31.584	€ 32.210	€ 1.801	€ 232
500 cm	€ 11.896	€ 12.515	€ 13.265	€ 15.383	€ 16.222	€ 17.275	€ 17.860	€ 18.655	€ 19.384	€ 19.886	€ 21.897	€ 22.740	€ 23.816	€ 24.208	€ 25.495	€ 26.076	€ 26.658	€ 28.237	€ 28.898	€ 29.243	€ 32.633	€ 33.274	€ 1.924	€ 262
550 cm	€ 12.590	€ 13.499	€ 14.323	€ 16.612	€ 17.548	€ 18.670	€ 19.541	€ 20.198	€ 21.211	€ 21.779	€ 23.998	€ 24.923	€ 26.099	€ 26.799	€ 27.855	€ 28.539	€ 29.406	€ 31.148	€ 31.865	€ 32.255			€ 2.047	€ 293
600 cm	€ 12.997	€ 13.922	€ 14.765	€ 17.098	€ 18.058	€ 19.283	€ 20.170	€ 20.843	€ 21.866	€ 22.446	€ 24.727	€ 25.665	€ 26.865	€ 27.580	€ 28.766	€ 29.433	€ 30.313	€ 32.098					€ 2.170	€ 323
650 cm	€ 13.400	€ 14.344	€ 15.197	€ 17.581	€ 18.566	€ 19.889	€ 20.793	€ 21.479	€ 22.518	€ 23.018	€ 25.343	€ 26.293	€ 27.503	€ 28.239	€ 29.640	€ 30.325							€ 2.294	€ 354
700 cm	€ 13.804	€ 14.757	€ 15.625	€ 18.064	€ 19.066	€ 20.498	€ 21.411	€ 22.114	€ 23.169	€ 23.673	€ 26.062	€ 27.028	€ 30.400	€ 31.238									€ 2.417	€ 384
750 cm	€ 14.769	€ 15.736	€ 16.618	€ 19.108	€ 20.128	€ 21.669	€ 22.591	€ 23.314	€ 24.382	€ 24.892	€ 27.346	€ 28.326											€ 2.540	€ 678
800 cm	€ 15.170	€ 16.151	€ 17.046	€ 19.589	€ 20.626	€ 22.912	€ 23.856	€ 26.167	€ 27.392	€ 28.052	€ 30.823	€ 31.963											€ 2.663	€ 709
FS3	€ 241	€ 252	€ 275	€ 302	€ 327	€ 352	€ 377	€ 402	€ 427	€ 452	€ 581	€ 606	€ 631	€ 656	€ 683	€ 708	€ 733	€ 758	€ 783	€ 808	€ 833	€ 858		
FS5-A	€ 44	€ 56	€ 65	€ 75	€ 87	€ 96	€ 108	€ 117	€ 129	€ 139	€ 150	€ 160	€ 171	€ 181	€ 192	€ 202	€ 214	€ 223	€ 235	€ 244	€ 256	€ 266		
FS5-E	€ 61	€ 77	€ 90	€ 103	€ 119	€ 132	€ 148	€ 162	€ 178	€ 191	€ 207	€ 220	€ 236	€ 249	€ 265	€ 278	€ 294	€ 307	€ 323	€ 336	€ 352	€ 366		

Side beam pillar is included in the price

### Notes:

- FS9- Side Beam (Al. 50x150mm) is included in the price for right and left side. For other option which is FS9-S (Al. 100x150mm) Special Side Beam is extra cost. The difference of the cost applies with FS9-SPD option code and for only one side of the pergola.
- If the projection is bigger than 700cm, a side beam pillar needs to be added up to rail (FS15 or FS15-B), FS15 Side Beam Pillar (Al. 50x100mm) included in the product price. FS15-B Side beam (Al. 100x100mm) included in FS9-SPD option.
- FS Flexy Plain/3D or Stam 6002 is included in the price.
- Motor and Remote control is included in the price.
- Palmiye Aluminium Coating Catalogue includes the standard colours with no extra cost. For any other type/brand/color of paint, price difference and additional delivery duration shall be checked from your customer representative.
- Standard fabric support profile plastic colours are specified in Palmiye Aluminium Coating Catalogue.
- Decorative fabric can not be applied to this model.

### DEDUCTIONS

Price deduction is applicable only for pillars and beam. Deduction amount shall be consider as 70% of related option price.

FS3	Gutter System (For One Side)
FS5-A	Additional Fabric Support Profile (Standard)
FS5-E	Additional Fabric Support Profile (3 Axis)
FS4	Additional Rail - Al.Plus- 120x150mm for both projection side
FS8	Lighting System
FS9-SPD	Price difference between from Al. 50x150mm to Al. 100x150mm Special side beam and Al. 50x100mm to Al. 100x100mm side beam pillar (for both side)

FS8	
FS8-S	SPOT
FS8-L	LINEAR
FS8-LR (RGB)	LINEAR (RGB)

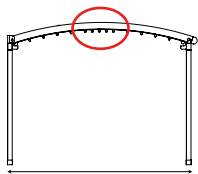
LED TYPE & MODULE		
2 LED	3 LED	4 LED
€ 136	€ 165	€ 194
€ 194	€ 252	
€ 247	€ 320	

## OPTIONS

FS10	Extra pillar (100x100mm Al.)	€ 548	pcs
FS10-ST3	Extra pillar (100x100x3mm St.)	€ 525	pcs
FS10-ST5	Extra pillar (100x100x5mm St.)	€ 765	pcs
FS15	Side beam pillar (50x100mm - Al)	€ 284	pcs
FS15-B	Side beam pillar (100x100mm - Al)	€ 548	pcs
FS19	Fix louver	€ 75	lm
FS23	External Square Downpipe	€ 335	pcs
FS24	W96 Ceiling Cover	€ 84	m <sup>2</sup>
FS26	Exclusive fabric difference (up to 800cm width)	€ 49	m <sup>2</sup>
FS29-1	Sun Sensor (SUNIS) (for single motor)	€ 621	pcs
FS29-1S	Sun Sensor (SUNIS) (for synchronized motor)	€ 990	pcs
FS29-2	Wind Sensor (EOLIS RTS) (for single motor)	€ 293	pcs
FS29-2S	Wind Sensor (EOLIS RTS) (for synchronized motor)	€ 658	pcs
FS29-3	Sun and Wind Sensor (SOLIRIS RTS) (for single motor)	€ 331	pcs
FS29-3S	Sun and Wind Sensor (SOLIRIS RTS) (for synchronized motor)	€ 696	pcs
FS29-4 <sup>2/3</sup>	Rain Sensor (ONDEIS) (for single motor)	€ 574	pcs
FS29-4S <sup>2/3</sup>	Rain Sensor (ONDEIS) (for synchronized motor)	€ 938	pcs
FS30	CONNEXOON	€ 525	pcs

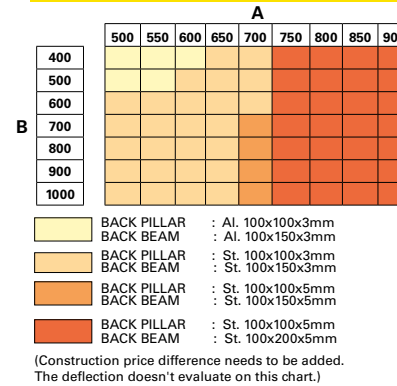
### Notes:

1. Fabric support profiles can be painted in the same color as the general construction. No fee is paid for this process. However, the plastic color should be specified from our standard plastic colours in Palmiye Color Chart.
2. For one product, a dry contact transmitter costing 368€, must be added.
3. Up to 5 products, a RS485 Automation interface dry contact transmitter costing 1126€, must be added.

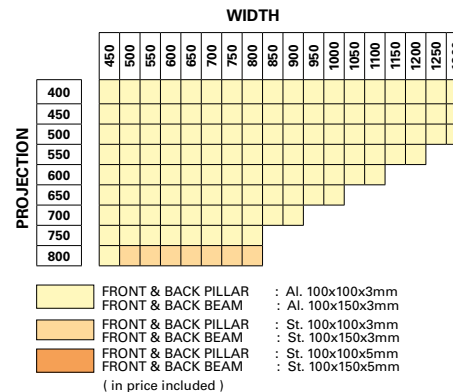


For projections of 4 meters or less, an extra fabric profile is added on either side of the central fabric profile to avoid water buildup along the pergola's central axis.

## BACK PILLAR POSITION CHANGE



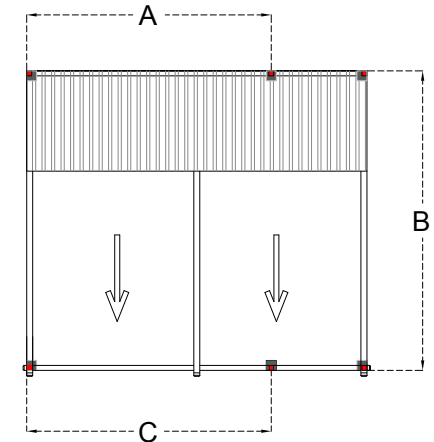
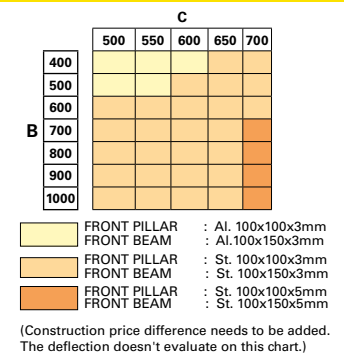
## STANDARD CONSTRUCTION



## EXTENSIONS

Rail	Plus - 120x150mm	€ 337	lm
Beam	Al. 100x150mm	€ 155	lm
Beam	St. 100x150x3mm	€ 320	lm
Beam	St. 100x150x5mm	€ 388	lm
Beam	St. 100x200x3mm	€ 325	lm
Beam	St. 100x200x5mm	€ 462	lm
Fabric protection cover	Al. - 63x__cm	€ 60	m <sup>2</sup>
Gutter	Special Profile	€ 45	lm
Pillar	Al. 100x100mm	€ 173	lm
Pillar	St. 100x100x3mm	€ 217	lm
Pillar	St. 100x100x5mm	€ 388	lm
Pillar	St. 150x150x3mm	€ 439	lm
Pillar	St. 150x150x5mm	€ 615	lm

## FRONT PILLAR POSITION CHANGE



## PRICE DIFFERENCE

		BEAM GROUP	
		Standard	Al. 100x150mm
Beam	to	St. 100x150x3mm	€ 160 lm
		St. 100x150x5mm	€ 238 lm
		St. 100x200x3mm	€ 165 lm
		St. 100x200x5mm	€ 311 lm
		PILLAR GROUP	
		Standard	Al. 100x100mm
Pillar	to	St. 100x100x3mm	€ 111 pcs
		St. 100x100x5mm	€ 456 pcs
		St. 150x150x3mm	€ 696 pcs
		St. 150x150x5mm	€ 1.231 pcs

- \*Max. Al. Front pillar (Al. 100x100mm) height is 280cm
- \*Max. St 3mm. Front pillar (St. 100x100x3mm) height is 380cm
- \*Max. St. 5mm Front pillar (St. 100x100x5mm) height is 480cm

# CORAL

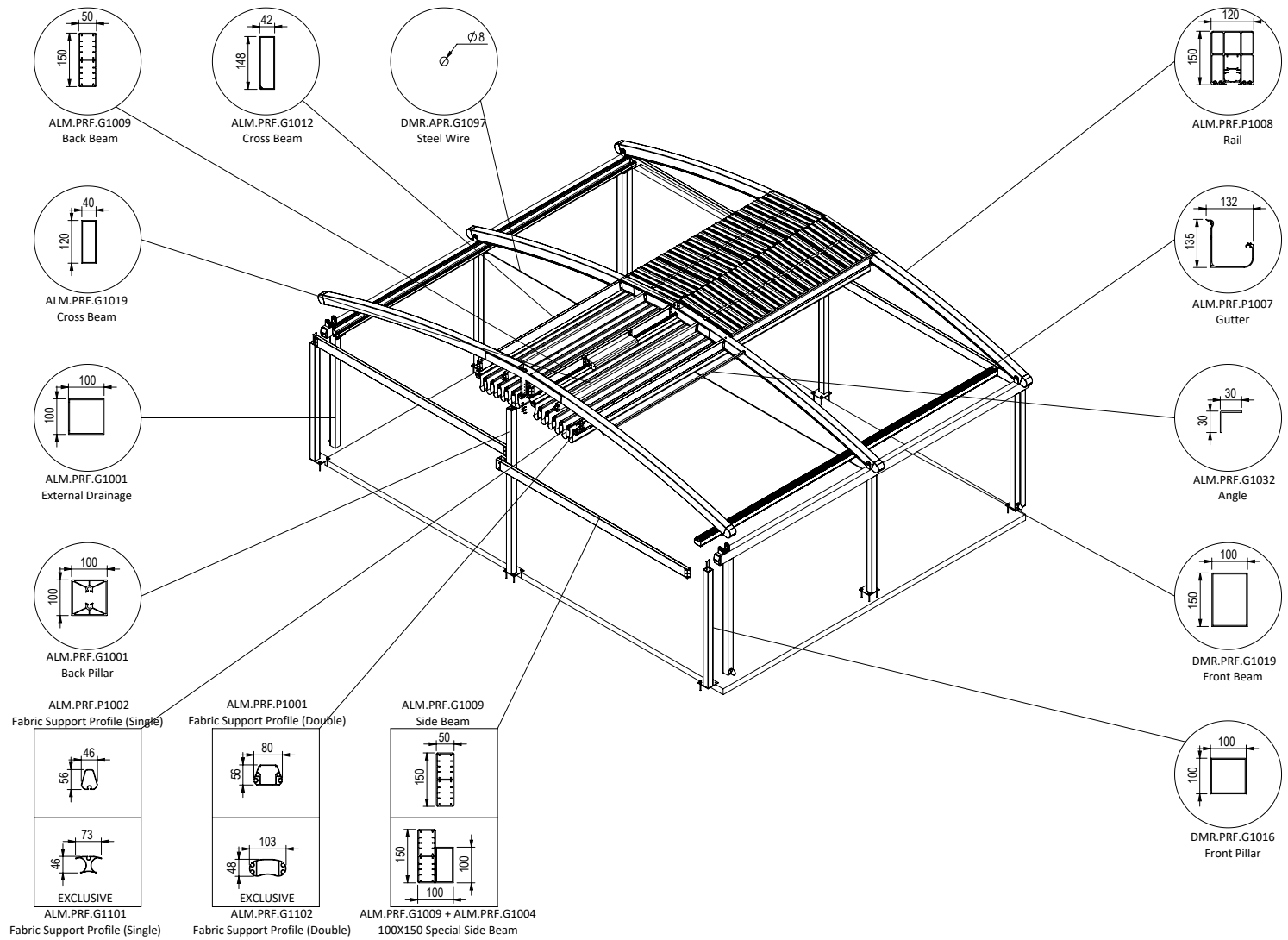
## Twin

**Without  
Middle Pillar**



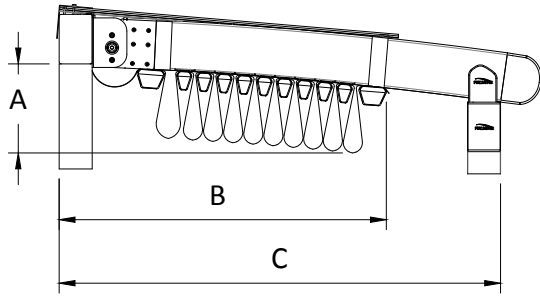
### MAXIMUM DIMENSIONS

	WIDTH	PROJECTION
2 RAILS	400 cm	1000 cm
3 RAILS	800 cm	1000 cm
4 RAILS	1200 cm	1000 cm
5 RAILS	1300 cm	1000 cm



# TECHNICAL FEATURES

## COLLECTED FABRIC DIMENSIONS



No of Fabric Support Profiles	Projection cm						
	200	250	300	350	400	450	500
5	30						68
6	31						74
7	32						81
9	34						94
10		35					100
11			36				107
13				38			120

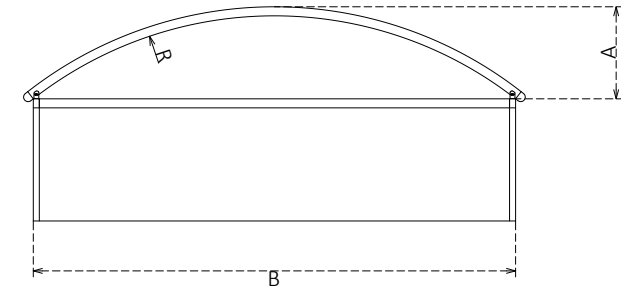
\*Calculated according to a slope of 15%

## DRAINAGE CALCULATION

Type	Max. m <sup>2</sup>
Full	39 m <sup>2</sup> /pc
Half	18 m <sup>2</sup> /pc

\* per drainage

There should be at least one drainage, each 8 m length gutter.



## RADIUS CHART

RADIUS	650	850	1500
--------	-----	-----	------

Projection	A			B
	250	27		
300	32			
350	39			
400	47			
450	55	46		
500	65	54		
550	76	62		
600		71		
650		82		
700		93		
750		105	63	
800		118	69	
850		133	76	
900			84	
950			92	
1000			101	

\*The values are approx. ± 5 cm

## WIND RESISTANCE

PROJECTION (cm)	WIDTH (cm)																		
	450	500	550	600	650	700	750	800	850	900	950	1000	1050	1100	1150	1200	1250	1300	
400	11	11	11	11	11	11	11	11	11	11	11	11	11	11	11	11	11	11	11
500	11	11	11	11	11	11	11	10	10	11	11	11	11	11	10	10	10	11	11
600	11	11	10	10	10	10	9	9	10	10	10	10	9	9	9	9	10	10	10
700	10	9	9	9	8	8	8	8	9	9	8	8	8	8	8	8	8	8	8
800	9	8	8	8	7	7	7	7	8	8	7	7	7	7	7	7	7	7	7
900	8	8	7	7	7	7	7	7	7	7	7	7	7	7	7	7	7	7	7
1000	8	8	7	7	7	7	7	7	7	7	7	7	7	7	7	7	7	7	7

PROJECTION (cm)	All sides open WIDTH (cm)																		
	450	500	550	600	650	700	750	800	850	900	950	1000	1050	1100	1150	1200	1250	1300	
400	11	11	11	11	11	11	11	11	11	11	11	11	11	11	11	11	11	11	11
500	11	11	11	11	11	11	11	10	10	11	11	11	11	11	11	10	10	11	11
600	11	11	11	11	11	11	10	10	10	11	11	11	11	10	10	10	10	11	11
700	10	10	10	10	10	9	9	9	10	10	10	10	9	9	9	9	10	10	10
800	10	9	9	9	9	9	9	8	8	9	9	9	9	9	8	8	8	9	9
900	8	8	8	8	8	8	8	8	8	8	8	8	8	8	8	8	8	8	8
1000	8	8	8	8	8	8	8	8	8	8	8	8	8	8	8	8	8	8	8

With side enclosure

\*The values are given according to the Beaufort scale.

\*\*Calculated for Products with a front height of 250 cm according to Eurocode EN 1991-1-4 Terrain Category 4.

\*\*\* You can ask for new calculations for special designs.

# CORAL Twin Without Middle Pillar



Projection	Width	2 RAILS				3 RAILS								4 RAILS								5 RAILS		FS4	FS9-SPD
		250 cm	300 cm	350 cm	400 cm	450 cm	500 cm	550 cm	600 cm	650 cm	700 cm	750 cm	800 cm	850 cm	900 cm	950 cm	1000 cm	1050 cm	1100 cm	1150 cm	1200 cm	1250 cm	1300 cm		
400 cm		€ 13.946	€ 14.634	€ 15.965	€ 16.663	€ 19.677	€ 20.365	€ 21.066	€ 21.754	€ 23.085	€ 23.783	€ 24.596	€ 25.284	€ 27.697	€ 28.366	€ 29.668	€ 30.337	€ 30.998	€ 31.667	€ 32.329	€ 32.998	€ 36.834	€ 37.878	€ 1.678	€ 201
450 cm		€ 14.322	€ 15.198	€ 16.366	€ 17.074	€ 20.245	€ 20.945	€ 21.834	€ 22.534	€ 23.700	€ 24.404	€ 25.232	€ 26.112	€ 28.677	€ 29.361	€ 30.494	€ 31.175	€ 32.030	€ 32.711	€ 33.384	€ 34.065	€ 38.060	€ 39.111	€ 1.801	€ 231
500 cm		€ 14.698	€ 15.761	€ 16.766	€ 17.483	€ 20.814	€ 21.521	€ 22.602	€ 23.310	€ 24.314	€ 25.022	€ 25.866	€ 26.937	€ 29.654	€ 30.354	€ 31.320	€ 32.009	€ 33.062	€ 33.750	€ 34.439	€ 35.130	€ 39.282	€ 40.343	€ 1.924	€ 263
550 cm		€ 15.284	€ 16.407	€ 17.464	€ 18.236	€ 21.772	€ 22.536	€ 23.671	€ 24.437	€ 25.494	€ 26.260	€ 27.154	€ 28.283	€ 31.206	€ 31.952	€ 32.982	€ 33.723	€ 34.829	€ 35.570	€ 36.317	€ 37.063	€ 41.418	€ 42.537	€ 2.047	€ 293
600 cm		€ 15.868	€ 17.055	€ 18.164	€ 18.988	€ 22.730	€ 23.552	€ 24.739	€ 25.562	€ 26.671	€ 27.495	€ 28.442	€ 29.629	€ 32.757	€ 33.553	€ 34.643	€ 35.438	€ 36.596	€ 37.389	€ 38.194	€ 38.997	€ 43.553	€ 44.728	€ 2.170	€ 322
650 cm		€ 16.436	€ 17.456	€ 18.575	€ 19.590	€ 23.494	€ 24.326	€ 25.346	€ 26.361	€ 27.484	€ 28.318	€ 29.280	€ 30.475	€ 33.766	€ 34.575	€ 35.849	€ 36.662	€ 37.653	€ 38.460	€ 39.451	€ 40.265	€ 44.983	€ 45.997	€ 2.294	€ 354
700 cm		€ 17.008	€ 17.860	€ 18.988	€ 20.195	€ 24.260	€ 25.104	€ 25.955	€ 27.160	€ 28.298	€ 29.142	€ 30.118	€ 31.324	€ 34.778	€ 35.601	€ 37.056	€ 37.888	€ 38.710	€ 39.534	€ 40.712	€ 41.534	€ 46.414	€ 47.265	€ 2.417	€ 384
750 cm		€ 17.402	€ 18.263	€ 19.405	€ 20.622	€ 24.852	€ 25.707	€ 26.574	€ 27.788	€ 28.936	€ 29.794	€ 30.779	€ 31.995	€ 35.616	€ 36.448	€ 37.919	€ 38.760	€ 39.596	€ 40.430	€ 41.621	€ 42.453	€ 47.502	€ 48.363	€ 2.540	€ 415
800 cm		€ 17.794	€ 18.664	€ 19.820	€ 21.046	€ 25.992	€ 26.925	€ 27.815	€ 29.084	€ 30.284	€ 31.198	€ 32.236	€ 33.505	€ 37.336	€ 38.222	€ 39.747	€ 40.642	€ 41.538	€ 42.423	€ 43.670	€ 44.557	€ 49.813	€ 50.727	€ 2.663	€ 445
850 cm		€ 18.195	€ 19.082	€ 20.249	€ 21.489	€ 26.595	€ 27.542	€ 28.443	€ 29.722	€ 30.936	€ 31.860	€ 32.913	€ 34.195	€ 38.185	€ 39.084	€ 40.624	€ 41.528	€ 42.432	€ 43.332	€ 44.592	€ 45.490	€ 50.911	€ 51.835	€ 2.786	€ 475
900 cm		€ 18.599	€ 19.499	€ 20.676	€ 21.929	€ 27.200	€ 28.160	€ 29.072	€ 30.360	€ 31.588	€ 32.781	€ 33.895	€ 35.239	€ 39.033	€ 39.947	€ 41.503	€ 42.845	€ 43.763	€ 44.681	€ 45.952	€ 46.867	€ 52.009	€ 52.940	€ 2.909	€ 507
950 cm		€ 18.998	€ 19.906	€ 21.099	€ 22.361	€ 27.800	€ 28.769	€ 29.690	€ 30.992	€ 32.232	€ 33.439	€ 34.562	€ 35.916	€ 39.881	€ 40.804	€ 42.370	€ 43.727	€ 44.656	€ 45.583	€ 46.868	€ 47.796	€ 53.101	€ 54.048	€ 3.033	€ 536
1000 cm		€ 19.394	€ 20.313	€ 21.518	€ 22.792	€ 28.429	€ 29.430	€ 30.434	€ 31.792	€ 33.086	€ 34.092	€ 35.226	€ 38.514	€ 43.265	€ 44.310	€ 43.659	€ 44.608	€ 45.544	€ 46.481	€ 50.514	€ 51.556	€ 57.742	€ 58.816	€ 3.156	€ 566
FS3		€ 241	€ 252	€ 275	€ 302	€ 327	€ 352	€ 377	€ 402	€ 427	€ 452	€ 581	€ 606	€ 631	€ 656	€ 683	€ 708	€ 733	€ 758	€ 783	€ 808	€ 833	€ 858		
FS5-A		€ 44	€ 56	€ 65	€ 75	€ 87	€ 96	€ 108	€ 117	€ 129	€ 139	€ 150	€ 160	€ 171	€ 181	€ 192	€ 202	€ 214	€ 223	€ 235	€ 244	€ 256	€ 266		
FS5-E		€ 61	€ 77	€ 90	€ 103	€ 119	€ 132	€ 148	€ 162	€ 178	€ 191	€ 207	€ 220	€ 236	€ 249	€ 265	€ 278	€ 294	€ 307	€ 323	€ 336	€ 352	€ 366		

### Notes:

- FS9- Side Beam (Al. 50x150mm) is included in the price for right and left side. For other option which is FS9-S (Al. 100x150mm) Special Side Beam is extra cost. The difference of the cost applies with FS9-SPD option code and for only one side of the pergola.
- FS Flexy Plain/3D or Stam 6002 is included in the price.
- Motor and Remote control is included in the price.

4. Palmiye Aluminium Coating Catalogue includes the standard colours with no extra cost. For any other type/brand/coulor of paint, price difference and additional delivery duration shall be checked from your customer representative.

5. Standard fabric support profile plastic colours are specified in Palmiye Aluminium Coating Catalogue.

6. The gutter option price is for one side and must be added separately for each side.

7. In pergolas including steel front pillars, if gutter option is preferred, external water drainage points will be specified according to the Project and will be priced additionally.

### DEDUCTIONS

Price deduction is applicable only for front & back pillars and side beam. Deduction amount shall be consider as 70% of related option price.

FS3	Gutter System (For One Side)
FS5-A	Additional Fabric Support Profile (Standard)
FS5-E	Additional Fabric Support Profile (3 Axis)
FS4	Additional Rail - Al.Plus- 120x150mm for both projection side
FS8	Lighting System
FS9-SPD	Price difference between Al. 50x150mm to Al. 100x150mm Special side beam and Al. 50x100mm to Al. 100x100mm side beam pillar (for both side)

FS8	
FS8-S	SPOT
FS8-L	LINEAR
FS8-LR (RGB)	LINEAR (RGB)

LED TYPE & MODULE		
2 LED	3 LED	4 LED
€ 136	€ 165	€ 194
€ 194	€ 252	
€ 247	€ 320	

## OPTIONS

FS10	Extra pillar (100x100mm Al.)	€ 548	pcs
FS10-ST3	Extra pillar (100x100x3mm St.)	€ 525	pcs
FS10-ST5	Extra pillar (100x100x5mm St.)	€ 765	pcs
FS11	Deco ceiling cover	€ 72	m <sup>2</sup>
FS15	Side beam pillar (50x100mm - Al)	€ 284	pcs
FS15-B	Side beam pillar (100x100mm - Al)	€ 548	pcs
FS19	Fix louver	€ 75	lm
FS23	External Square Downpipe	€ 335	pcs
FS24	W96 Ceiling Cover	€ 84	m <sup>2</sup>
FS26	Exclusive fabric difference (up to 800cm width)	€ 49	m <sup>2</sup>
FS29-1	Sun Sensor (SUNIS) (for single motor)	€ 621	pcs
FS29-1S	Sun Sensor (SUNIS) (for synchronized motor)	€ 990	pcs
FS29-2	Wind Sensor (EOLIS RTS) (for single motor)	€ 293	pcs
FS29-2S	Wind Sensor (EOLIS RTS) (for synchronized motor)	€ 658	pcs
FS29-3	Sun and Wind Sensor (SOLIRIS RTS) (for single motor)	€ 331	pcs
FS29-3S	Sun and Wind Sensor (SOLIRIS RTS) (for synchronized motor)	€ 696	pcs
FS29-4 <sup>2/3</sup>	Rain Sensor (ONDEIS) (for single motor)	€ 574	pcs
FS29-4S <sup>2/3</sup>	Rain Sensor (ONDEIS) (for synchronized motor)	€ 938	pcs
FS30	CONNEXOON	€ 525	pcs

### Notes:

1. Fabric support profiles can be painted in the same color as the general construction. No fee is paid for this process. However, the plastic color should be specified from our standard plastic colours in Palmiye Color Chart.
2. For one product, a dry contact transmitter costing 368€, must be added.
3. Up to 5 products, a RS485 Automation interface dry contact transmitter costing 1126€, must be added.

## EXTENSIONS

Rail	Plus - 120x150mm	€ 337	lm
Beam	Al. 100x150mm	€ 155	lm
Beam	St. 100x150x3mm	€ 320	lm
Beam	St. 100x150x5mm	€ 388	lm
Beam	St. 100x200x3mm	€ 325	lm
Beam	St. 100x200x5mm	€ 462	lm
Fabric protection cover	Al. - 63x__cm	€ 60	m <sup>2</sup>
Gutter	Special Profile	€ 45	lm
Pillar	Al. 100x100mm	€ 173	lm
Pillar	St. 100x100x3mm	€ 217	lm
Pillar	St. 100x100x5mm	€ 388	lm
Pillar	St. 150x150x3mm	€ 439	lm
Pillar	St. 150x150x5mm	€ 615	lm

\*Max. Al. Front pillar (Al. 100x100mm) height is 280cm

\*Max. St 3mm. Front pillar (St. 100x100x3mm) height is 380cm

\*Max. St. 5mm Front pillar (St. 100x100x5mm) height is 480cm

## STANDARD CONSTRUCTION

		WIDTH																	
		450	500	550	600	650	700	750	800	850	900	950	1000	1050	1100	1150	1200	1250	1300
PROJECTION	800																		
	900																		
	1000																		

	FRONT PILLAR : St. 100x100x3mm
	FRONT BEAM : St. 100x150x3mm

	FRONT PILLAR : St. 100x100x5mm
	FRONT BEAM : St. 100x150x5mm

(in price included)

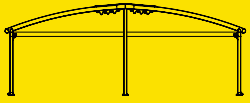
## PRICE DIFFERENCE

		BEAM GROUP	
		Standard	St. 100x150x3mm
Front Beam			
	to	St. 100x150x5mm	€ 78 lm
		St. 100x200x3mm	€ 4 lm
		St. 100x200x5mm	€ 150 lm

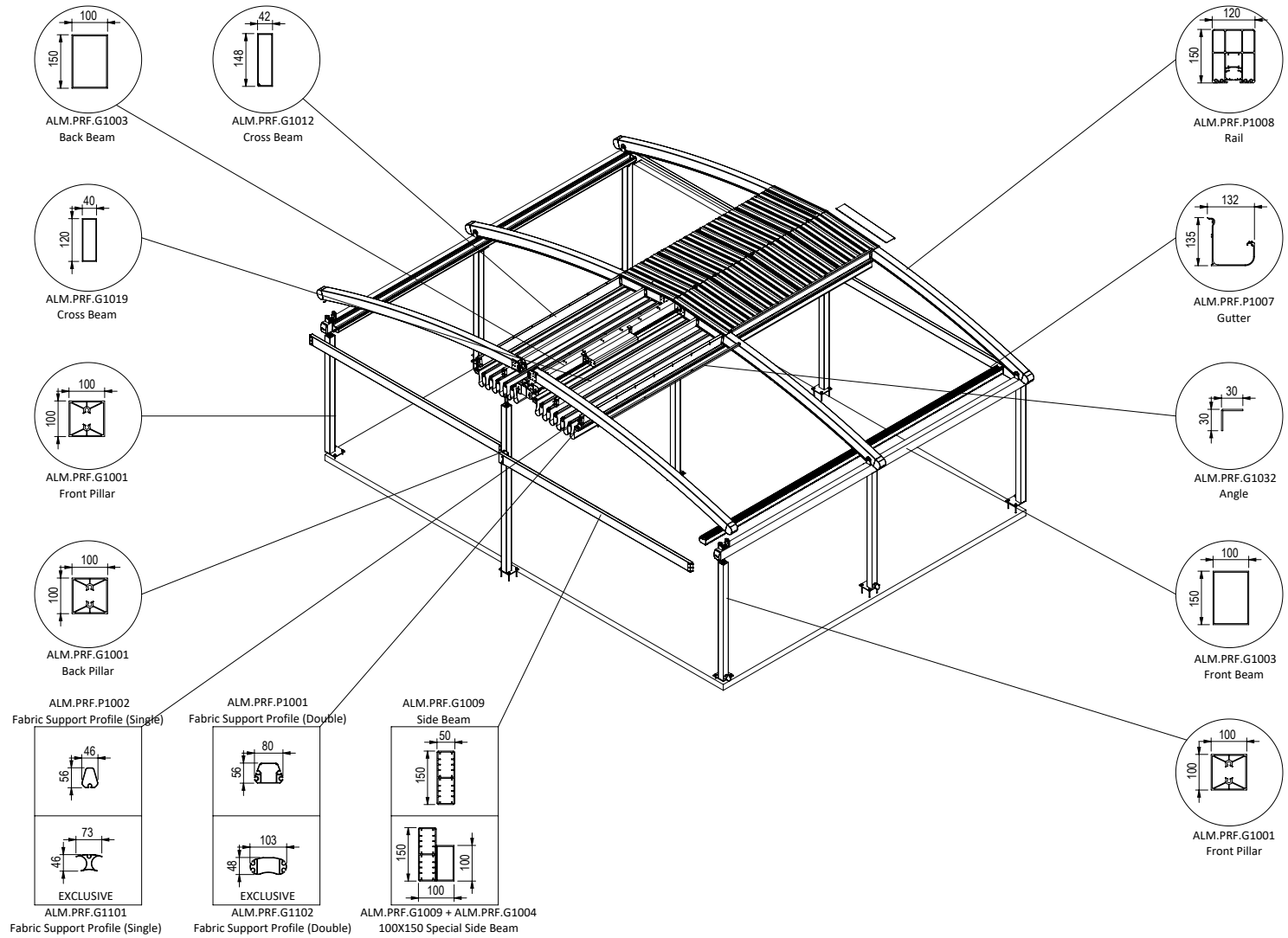
		PILLAR GROUP	
		Standard	St. 100x100x3mm
Front Pillar			
	to	St. 100x100x5mm	€ 346 pcs
		St. 150x150x3mm	€ 587 pcs
		St. 150x150x5mm	€ 1.121 pcs

# CORAL Twin



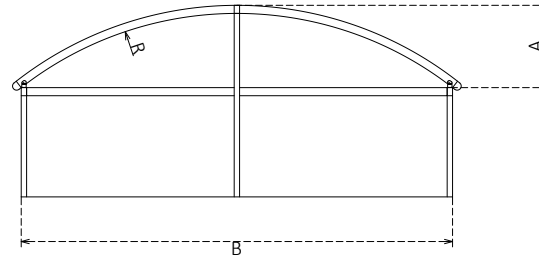
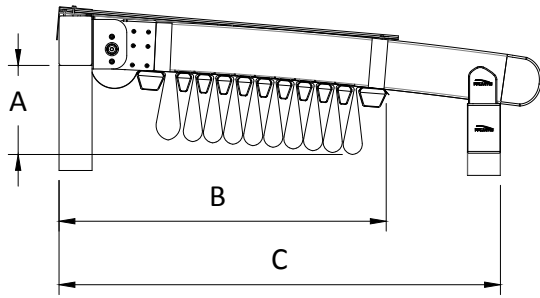
## MAXIMUM DIMENSIONS

	WIDTH	PROJECTION
2 RAILS	400 cm	1600 cm
3 RAILS	800 cm	1600 cm
4 RAILS	1200 cm	1600 cm
5 RAILS	1300 cm	1400 cm



# TECHNICAL FEATURES

## COLLECTED FABRIC DIMENSIONS



		Projection cm													
		200	250	300	350	400	450	500	550	600	650	700	750	800	<b>C</b>
No of Fabric Support Profiles	5	30													68
	6	31													74
	7	32													81
	9	34													94
	10	35													100
	11	36													107
	13	38													120
	14	39													126
	15	40													133
	17	42													146
	18	43													152
	19	44													159
21	46													172	

\*Calculated according to a slope of 15%

## DRAINAGE CALCULATION

Type	Max. m <sup>2</sup>
Full	39 m <sup>2</sup> /pc
Half	18 m <sup>2</sup> /pc

\* per drainage

There should be at least one drainage, each 8 m length gutter.

## RADIUS CHART

RADIUS	R615	R850	R1500	R2850
Projection	A			
250	34			
300	41			
350	49			
400	58			
450	68	56		
500	81	65		
550	94	74		
600		85		
650		96		
700		109		
750		122	75	
800		137	83	
850		153	91	
900			100	
950			109	
1000			118	
1050			128	
1100			139	
1150			150	89
1200			161	94
1250			174	101
1300				107
1350				114
1400				120
1450				128
1500				135
1550				142,5
1600				150

\*The values are approx. ± 5 cm

## WIND RESISTANCE

		WIDTH (cm)																	
		450	500	550	600	650	700	750	800	850	900	950	1000	1050	1100	1150	1200	1250	1300
PROJECTION (cm)	800	11	11	11	11	10	10	9	9	11	11	10	10	10	10	9	9	10	10
	900	11	11	11	11	10	9	9	8	11	11	10	10	9	9	9	8	10	10
	1000	11	11	11	10	9	8	8	8	11	10	9	9	8	8	8	8	9	9
	1100	11	10	10	10	9	8	8	7	10	10	9	9	8	8	8	7	9	9
	1200	10	10	10	9	8	7	7	7	10	9	8	8	7	7	7	7	8	8
	1300	9	9	8	8	7	7	7	7	9	8	8	8	7	7	7	7	8	8
	1400	9	9	8	8	7	7	7	7	9	8	7	7	7	7	7	7	7	7
1500	8	8	7	7	7	7	7	7	8	7	7	7	7	7	7	7	7	7	
1600	8	7	7	7	7	7	7	7	7	7	7	7	7	7	7	7	7	7	

		WIDTH (cm)																	
		450	500	550	600	650	700	750	800	850	900	950	1000	1050	1100	1150	1200	1250	1300
PROJECTION (cm)	800	11	10	10	10	9	8	8	8	10	10	9	9	8	8	8	8	9	9
	900	10	10	10	10	9	8	8	8	10	10	9	9	8	8	8	8	9	9
	1000	10	10	9	9	8	8	8	8	10	9	8	8	8	8	8	8	8	8
	1100	9	9	9	9	7	7	7	7	9	9	7	7	7	7	7	7	7	7
	1200	9	8	8	8	7	7	7	7	8	8	7	7	7	7	7	7	7	7
	1300	8	8	7	7	7	7	7	7	8	7	7	7	7	7	7	7	7	7
	1400	7	7	7	7	7	7	7	7	7	7	7	7	7	7	7	7	7	7
	1500	7	7	7	7	7	7	7	7	7	7	7	7	7	7	7	7	7	7
	1600	7	7	7	7	7	7	7	7	7	7	7	7	7	7	7	7	7	7

\*The values are given according to the Beaufort scale.

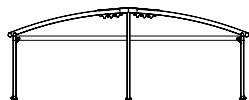
\*\*Calculated for Products with a front height of 250 cm according to Eurocode EN 1991-1-4 Terrain Category 4.

\*\*\* You can ask for new calculations for special designs.

All sides open

With side enclosure

# CORAL Twin



Projection	Width				2 RAILS								3 RAILS								4 RAILS								5 RAILS		FS4	FS9-SPD
	250 cm	300 cm	350 cm	400 cm	450 cm	500 cm	550 cm	600 cm	650 cm	700 cm	750 cm	800 cm	850 cm	900 cm	950 cm	1000 cm	1050 cm	1100 cm	1150 cm	1200 cm	1250 cm	1300 cm										
400 cm	€ 13.451	€ 14.115	€ 15.399	€ 16.072	€ 18.979	€ 19.644	€ 20.319	€ 20.983	€ 22.266	€ 22.940	€ 23.724	€ 24.388	€ 26.715	€ 27.361	€ 28.616	€ 29.261	€ 29.899	€ 30.545	€ 31.183	€ 31.828	€ 35.529	€ 36.535	€ 1.678	€ 201								
450 cm	€ 13.814	€ 14.660	€ 15.786	€ 16.469	€ 19.528	€ 20.203	€ 21.060	€ 21.735	€ 22.859	€ 23.539	€ 24.337	€ 25.187	€ 27.660	€ 28.320	€ 29.413	€ 30.070	€ 30.895	€ 31.551	€ 32.200	€ 32.857	€ 36.711	€ 37.725	€ 1.801	€ 231								
500 cm	€ 14.177	€ 15.202	€ 16.171	€ 16.864	€ 20.076	€ 20.759	€ 21.801	€ 22.483	€ 23.453	€ 24.135	€ 24.949	€ 25.982	€ 28.603	€ 29.278	€ 30.210	€ 30.874	€ 31.890	€ 32.554	€ 33.218	€ 33.884	€ 37.890	€ 38.913	€ 1.924	€ 263								
550 cm	€ 14.742	€ 15.825	€ 16.845	€ 17.589	€ 21.000	€ 21.737	€ 22.831	€ 23.570	€ 24.590	€ 25.329	€ 26.191	€ 27.280	€ 30.100	€ 30.820	€ 31.813	€ 32.528	€ 33.594	€ 34.309	€ 35.029	€ 35.749	€ 39.949	€ 41.029	€ 2.047	€ 293								
600 cm	€ 15.305	€ 16.450	€ 17.520	€ 18.315	€ 21.924	€ 22.717	€ 23.862	€ 24.655	€ 25.726	€ 26.521	€ 27.434	€ 28.579	€ 31.596	€ 32.363	€ 33.415	€ 34.182	€ 35.299	€ 36.064	€ 36.840	€ 37.615	€ 42.009	€ 43.143	€ 2.170	€ 322								
650 cm	€ 15.853	€ 16.837	€ 17.917	€ 18.895	€ 22.661	€ 23.464	€ 24.448	€ 25.426	€ 26.509	€ 27.314	€ 28.242	€ 29.394	€ 32.569	€ 33.349	€ 34.578	€ 35.362	€ 36.318	€ 37.096	€ 38.052	€ 38.838	€ 43.388	€ 44.366	€ 2.294	€ 354								
700 cm	€ 16.405	€ 17.226	€ 18.315	€ 19.479	€ 23.400	€ 24.214	€ 25.035	€ 26.197	€ 27.295	€ 28.109	€ 29.050	€ 30.214	€ 33.546	€ 34.339	€ 35.742	€ 36.544	€ 37.338	€ 38.133	€ 39.268	€ 40.062	€ 44.769	€ 45.590	€ 2.417	€ 384								
750 cm	€ 16.785	€ 17.616	€ 18.718	€ 19.891	€ 23.971	€ 24.796	€ 25.632	€ 26.803	€ 27.911	€ 28.738	€ 29.688	€ 30.861	€ 34.354	€ 35.156	€ 36.574	€ 37.386	€ 38.193	€ 38.997	€ 40.146	€ 40.948	€ 45.818	€ 46.649	€ 2.540	€ 415								
800 cm	€ 17.163	€ 18.003	€ 19.118	€ 20.300	€ 24.538	€ 25.378	€ 26.225	€ 27.407	€ 28.524	€ 29.364	€ 30.324	€ 31.506	€ 35.160	€ 35.974	€ 37.403	€ 38.224	€ 39.048	€ 39.860	€ 41.021	€ 41.835	€ 46.864	€ 47.704	€ 2.663	€ 445								
850 cm	€ 17.550	€ 18.405	€ 19.531	€ 20.727	€ 25.119	€ 25.973	€ 26.831	€ 28.023	€ 29.153	€ 30.002	€ 30.977	€ 32.172	€ 35.980	€ 36.805	€ 38.249	€ 39.079	€ 39.910	€ 40.737	€ 41.910	€ 42.735	€ 47.923	€ 48.772	€ 2.786	€ 475								
900 cm	€ 17.939	€ 18.807	€ 19.943	€ 21.151	€ 25.703	€ 26.569	€ 27.437	€ 28.638	€ 29.782	€ 30.640	€ 31.628	€ 32.837	€ 36.797	€ 37.637	€ 39.096	€ 39.934	€ 40.774	€ 41.614	€ 42.797	€ 43.637	€ 48.982	€ 49.839	€ 2.909	€ 507								
950 cm	€ 18.325	€ 19.200	€ 20.351	€ 21.569	€ 26.281	€ 27.157	€ 28.034	€ 29.248	€ 30.403	€ 31.274	€ 32.272	€ 33.489	€ 37.615	€ 38.464	€ 39.933	€ 40.786	€ 41.635	€ 42.484	€ 43.680	€ 44.533	€ 50.035	€ 50.907	€ 3.033	€ 536								
1000 cm	€ 18.706	€ 19.593	€ 20.755	€ 21.984	€ 26.857	€ 27.742	€ 28.629	€ 29.856	€ 31.020	€ 31.905	€ 32.911	€ 35.995	€ 40.490	€ 41.443	€ 40.767	€ 41.635	€ 42.492	€ 43.351	€ 47.197	€ 48.159	€ 54.020	€ 55.001	€ 3.156	€ 566								
1050 cm	€ 19.303	€ 20.411	€ 21.628	€ 22.906	€ 27.984	€ 28.925	€ 30.038	€ 31.127	€ 32.533	€ 33.471	€ 34.532	€ 37.668	€ 42.362	€ 43.544	€ 42.746	€ 43.665	€ 44.756	€ 45.663	€ 49.560	€ 50.575	€ 56.641	€ 57.845	€ 3.292	€ 595								
1100 cm	€ 19.898	€ 21.228	€ 22.500	€ 23.830	€ 29.110	€ 30.107	€ 31.445	€ 32.395	€ 34.049	€ 35.037	€ 36.152	€ 39.338	€ 44.237	€ 45.645	€ 44.727	€ 45.697	€ 47.017	€ 47.977	€ 51.923	€ 52.988	€ 59.264	€ 60.688	€ 3.431	€ 626								
1150 cm	€ 20.302	€ 21.645	€ 22.929	€ 24.272	€ 29.709	€ 30.715	€ 32.068	€ 33.050	€ 34.692	€ 35.695	€ 36.820	€ 40.019	€ 45.075	€ 46.492	€ 45.728	€ 46.572	€ 47.900	€ 48.875	€ 52.830	€ 53.910	€ 60.341	€ 61.781	€ 3.567	€ 654								
1200 cm	€ 20.710	€ 22.066	€ 23.359	€ 24.715	€ 30.309	€ 31.325	€ 32.691	€ 33.706	€ 35.340	€ 38.019	€ 39.249	€ 40.704	€ 45.917	€ 47.341	€ 48.979	€ 49.796	€ 51.230	€ 52.314	€ 53.741	€ 54.835	€ 61.422	€ 62.875	€ 3.704	€ 685								
1250 cm	€ 21.107	€ 22.472	€ 23.780	€ 25.146	€ 30.904	€ 31.929	€ 33.304	€ 34.329	€ 35.978	€ 38.665	€ 39.910	€ 41.377	€ 46.747	€ 48.191	€ 49.700	€ 50.664	€ 52.108	€ 53.201	€ 54.646	€ 55.747	€ 62.498	€ 63.960	€ 3.843	€ 715								
1300 cm	€ 21.503	€ 22.878	€ 24.197	€ 25.572	€ 31.499	€ 32.533	€ 33.918	€ 34.951	€ 36.612	€ 39.310	€ 40.568	€ 42.051	€ 47.576	€ 49.040	€ 50.418	€ 51.530	€ 52.983	€ 54.086	€ 55.548	€ 56.660	€ 63.572	€ 65.043	€ 3.979	€ 746								
1350 cm	€ 21.900	€ 23.290	€ 24.618	€ 26.008	€ 32.094	€ 33.138	€ 34.535	€ 35.583	€ 37.254	€ 39.961	€ 41.230	€ 42.721	€ 48.412	€ 49.884	€ 51.277	€ 52.398	€ 53.866	€ 54.977	€ 56.450	€ 57.575	€ 64.642	€ 66.129	€ 4.116	€ 776								
1400 cm	€ 22.296	€ 23.699	€ 25.039	€ 26.442	€ 32.691	€ 35.020	€ 36.529	€ 37.688	€ 40.532	€ 41.744	€ 43.087	€ 44.649	€ 49.249	€ 50.729	€ 53.592	€ 54.785	€ 56.330	€ 57.516	€ 59.062	€ 60.264	€ 67.555	€ 69.119	€ 4.252	€ 807								
1450 cm	€ 23.775	€ 25.188	€ 26.540	€ 27.953	€ 34.362	€ 36.707	€ 38.221	€ 39.391	€ 42.245	€ 43.477	€ 44.828	€ 46.401	€ 51.162	€ 52.652	€ 55.521	€ 56.730	€ 58.284	€ 59.489	€ 61.044	€ 62.256	€ 69.713		€ 4.391	€ 1.364								
1500 cm	€ 24.176	€ 25.598	€ 26.963	€ 28.385	€ 34.957	€ 37.315	€ 39.772	€ 41.021	€ 42.881	€ 44.130	€ 45.492	€ 47.073	€ 53.319	€ 54.883	€ 56.374	€ 57.596	€ 59.160	€ 60.383	€ 61.946	€ 63.169	€ 70.790		€ 4.528	€ 1.395								
1550 cm	€ 24.576	€ 26.007	€ 27.386	€ 28.817	€ 35.552	€ 37.923	€ 40.383	€ 41.648	€ 43.517	€ 44.783	€ 46.156	€ 47.745	€ 54.152	€ 55.725	€ 57.228	€ 58.462	€ 60.036	€ 61.278	€ 62.847	€ 64.082			€ 4.664	€ 1.425								
1600 cm	€ 24.976	€ 26.417	€ 27.809	€ 29.249	€ 36.915	€ 39.384	€ 40.995	€ 42.275	€ 44.153	€ 45.436	€ 46.821	€ 48.416	€ 54.985	€ 56.567	€ 58.081	€ 59.328	€ 60.911	€ 62.172	€ 63.749	€ 64.995			€ 4.803	€ 1.456								
FS3	€ 241	€ 252	€ 275	€ 302	€ 327	€ 352	€ 377	€ 402	€ 427	€ 452	€ 581	€ 606	€ 631	€ 656	€ 683	€ 708	€ 733	€ 758	€ 783	€ 808	€ 833	€ 858										
FS5-A	€ 44	€ 56	€ 65	€ 75	€ 87	€ 96	€ 108	€ 117	€ 129	€ 139	€ 150	€ 160	€ 171	€ 181	€ 192	€ 202	€ 214	€ 223	€ 235	€ 244	€ 256	€ 266										
FS5-E	€ 61	€ 77	€ 90	€ 103	€ 119	€ 132	€ 148	€ 162	€ 178	€ 191	€ 207	€ 220	€ 236	€ 249	€ 265	€ 278	€ 294	€ 307	€ 323	€ 336	€ 352	€ 366										

Side beam pillar is included in the price

FS3	Gutter System (For One Side)
FS5-A	Additional Fabric Support Profile (Standard)
FS5-E	Additional Fabric Support Profile (3 Axis)
FS4	Additional Rail - Al.Plus- 120x150mm for both projection side
FS8	Lighting System
FS9-SPD	Price difference between Al. 50x150mm to Al. 100x150mm Special side beam

FS8	
FS8-S	SPOT
FS8-L	LINEAR
FS8-LR (RGB)	LINEAR (RGB)

LED TYPE & MODULE		
2 LED	3 LED	4 LED
€ 136	€ 165	€ 194
€ 194	€ 252	
€ 247	€ 320	

#### Notes:

- FS9- Side Beam (Al. 50x150mm) is included in the price for right and left side. For other option which is FS9-S (Al. 100x150mm) Special Side Beam is extra cost. The difference of the cost applies with FS9-SPD option code and for only one side of the pergola.
- If the projection is bigger than 700cm, a side beam pillar needs to be added up to rail (FS15 or FS15-B), FS15 Side Beam Pillar (Al. 50x100mm) included in the product price. FS15-B Side beam (Al. 100x100mm) included in FS9-SPD option.
- FS Flexy Plain/3D or Stam 6002 is included in the price.
- Motor and Remote control is included in the price.
- Palmye Aluminium Coating Catalogue includes the standard colours with no extra cost. For any other type/brand/couleur of paint, price difference and additional delivery duration shall be checked from your customer representative.
- Standard fabric support profile plastic colours are specified in Palmye Aluminium Coating Catalogue.
- The gutter option price is for one side and must be added separately for each side.
- In pergolas including steel front pillars, if gutter option is preferred, external water drainage points will be specified according to the Project and will be priced additionally.

#### DEDUCTIONS

Price deduction is applicable only for pillars and beam. Deduction amount shall be consider as 70% of related option price.

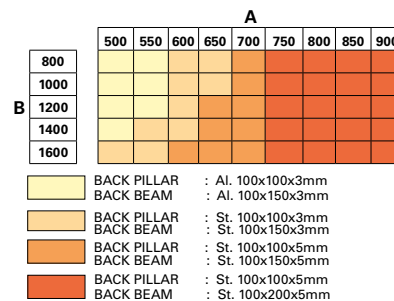
## OPTIONS

FS10	Extra pillar (100x100mm Al.)	€ 548	pcs
FS10-ST3	Extra pillar (100x100x3mm St.)	€ 525	pcs
FS10-ST5	Extra pillar (100x100x5mm St.)	€ 765	pcs
FS11	Deco ceiling cover	€ 72	m <sup>2</sup>
FS15	Side beam pillar (50x100mm - Al)	€ 284	pcs
FS15-B	Side beam pillar (100x100mm - Al)	€ 548	pcs
FS19	Fix louver	€ 75	lm
FS23	External Square Downpipe	€ 335	pcs
FS24	W96 Ceiling Cover	€ 84	m <sup>2</sup>
FS26	Exclusive fabric difference (up to 800cm width)	€ 49	m <sup>2</sup>
FS29-1	Sun Sensor (SUNIS) (for single motor)	€ 621	pcs
FS29-1S	Sun Sensor (SUNIS) (for synchronized motor)	€ 990	pcs
FS29-2	Wind Sensor (EOLIS RTS) (for single motor)	€ 293	pcs
FS29-2S	Wind Sensor (EOLIS RTS) (for synchronized motor)	€ 658	pcs
FS29-3	Sun and Wind Sensor (SOLIRIS RTS) (for single motor)	€ 331	pcs
FS29-3S	Sun and Wind Sensor (SOLIRIS RTS) (for synchronized motor)	€ 696	pcs
FS29-4 <sup>2/3</sup>	Rain Sensor (ONDEIS) (for single motor)	€ 574	pcs
FS29-4S <sup>2/3</sup>	Rain Sensor (ONDEIS) (for synchronized motor)	€ 938	pcs
FS30	CONNEXOON	€ 525	pcs

### Notes:

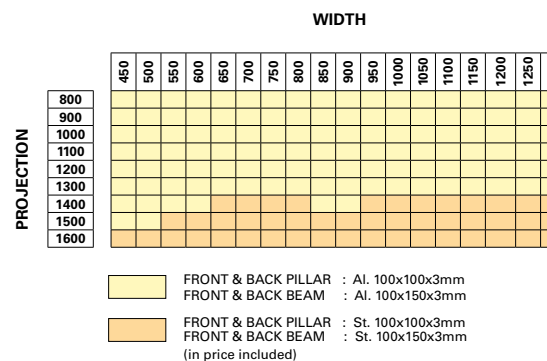
1. Fabric support profiles can be painted in the same color as the general construction. No fee is paid for this process. However, the plastic color should be specified from our standard plastic colours in Palmiye Color Chart.
2. For one product, a dry contact transmitter costing 368€, must be added.
3. Up to 5 products, a RS485 Automation interface dry contact transmitter costing 1126€, must be added.

## BACK PILLAR POSITION CHANGE



(Construction price difference needs to be added.  
The deflection doesn't evaluate on this chart.)

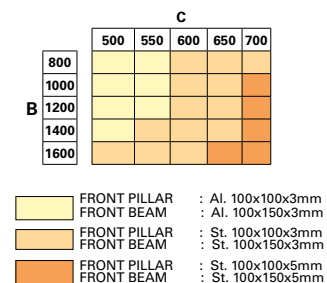
## STANDARD CONSTRUCTION



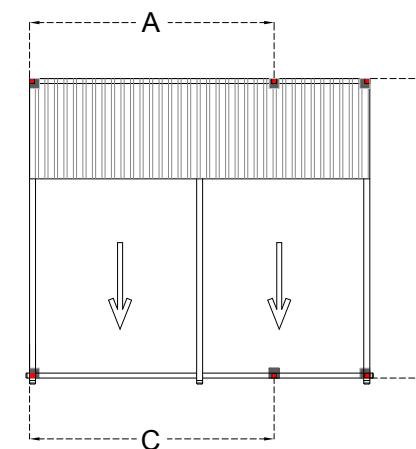
## EXTENSIONS

Rail	Plus - 120x150mm	€ 337	lm
Beam	Al. 100x150mm	€ 155	lm
Beam	St. 100x150x3mm	€ 320	lm
Beam	St. 100x150x5mm	€ 388	lm
Beam	St. 100x200x3mm	€ 325	lm
Beam	St. 100x200x5mm	€ 462	lm
Fabric protection cover	Al. - 63x__cm	€ 60	m <sup>2</sup>
Gutter	Special Profile	€ 45	lm
Pillar	Al. 100x100mm	€ 173	lm
Pillar	St. 100x100x3mm	€ 217	lm
Pillar	St. 100x100x5mm	€ 388	lm
Pillar	St. 150x150x3mm	€ 439	lm
Pillar	St. 150x150x5mm	€ 615	lm

## FRONT PILLAR POSITION CHANGE



(Construction price difference needs to be added.  
The deflection doesn't evaluate on this chart.)



## PRICE DIFFERENCE

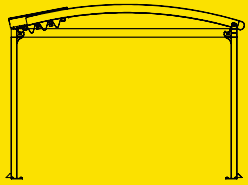
		BEAM GROUP			
Standard		Al. 100x150mm			
Beam	to	St. 100x150x3mm	€ 160	lm	
		St. 100x150x5mm	€ 238	lm	
		St. 100x200x3mm	€ 165	lm	
		St. 100x200x5mm	€ 311	lm	
		PILLAR GROUP			
Standard		Al. 100x100mm			
Pillar	to	St. 100x100x3mm	€ 111	pcs	
		St. 100x100x5mm	€ 456	pcs	
		St. 150x150x3mm	€ 696	pcs	
		St. 150x150x5mm	€ 1.231	pcs	

\*Max. Al. Front pillar (Al. 100x100mm) height is 280cm  
 \*Max. St. 3mm. Front pillar (St. 100x100x3mm) height is 380cm  
 \*Max. St. 5mm Front pillar (St. 100x100x5mm) height is 480cm

# CORAL

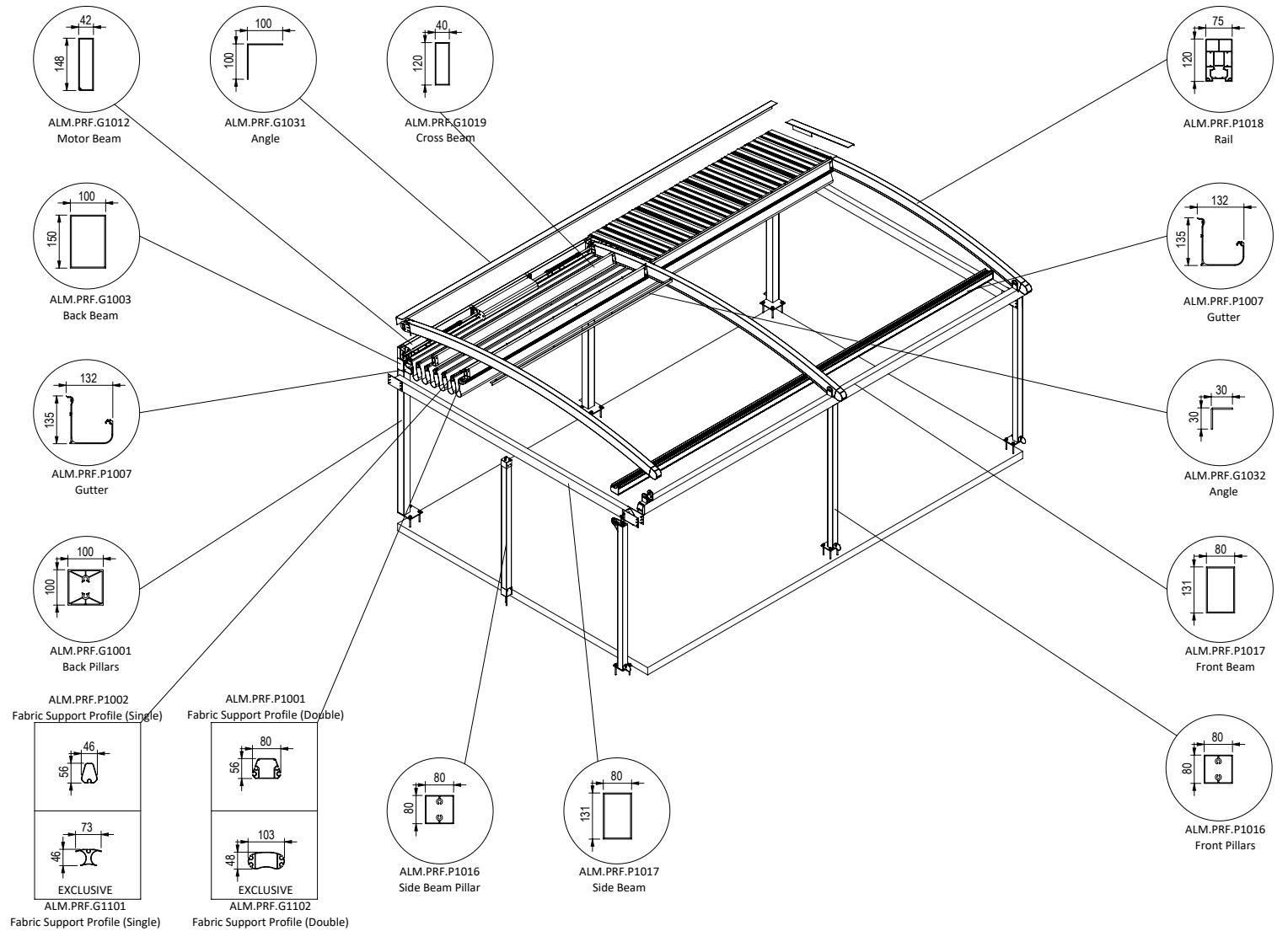
## Compact Twin

### Single Motor



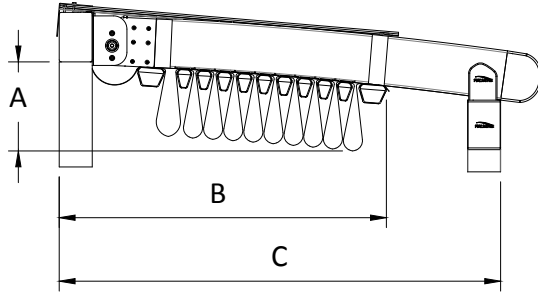
#### MAXIMUM DIMENSIONS

	WIDTH	PROJECTION
2 RAILS	350 cm	600 cm
3 RAILS	700 cm	600 cm
4 RAILS	1050 cm	600 cm
5 RAILS	1100 cm	600 cm
	1300 cm	500 cm



# TECHNICAL FEATURES

## COLLECTED FABRIC DIMENSIONS



TILTED VERSION		Projection cm								
		200	250	300	350	400	450	500	550	C
No of Fabric Support Profiles	9	31								104
	9	31								104
	11		32							117
	13			33						130
	15				36					143
	17					37				156
	17						37			156
	19							40		169
			← A → B →							

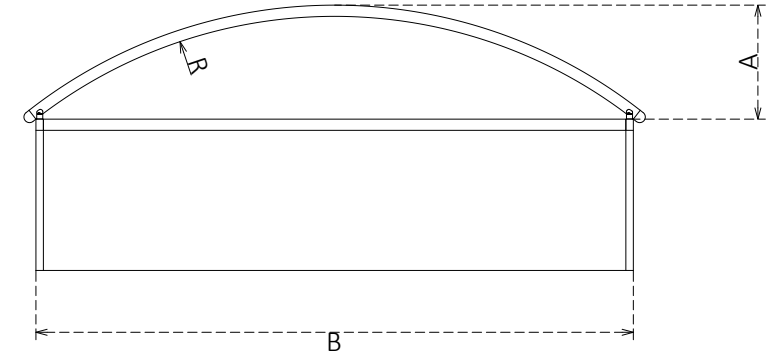
\*Calculated according to a slope of 15%

## DRAINAGE CALCULATION

Type	Max. m <sup>2</sup>
Compact	30 m <sup>2</sup> /pc

\* per drainage

There should be at least one drainage, each 8 m length gutter.



## RADIUS CHART

RADIUS	650	850

Projection	A		B
250	27		
300	33		
350	39		
400	47		
450	56	45	
500	66	53	
550	77	61	
600		70	

\*The values are approx. ± 5 cm

## WIND RESISTANCE

		WIDTH (cm)																	
		450	500	550	600	650	700	750	800	850	900	950	1000	1050	1100	1150	1200	1250	1300
PROJECTION (cm)	400	11	11	11	10	10	9	11	11	10	10	10	9	11	11	10	10	10	10
	450	10	10	9	9	9	8	10	9	9	9	9	8	10	9	9	9	9	9
	500	10	9	8	8	8	7	9	8	8	8	8	7	9	8	8	8	8	8
	550	9	8	7	7	7	7	8	7	7	7	7	7	8	7	7	7	7	7
	600	8	8	7	7	7	6	8	7	7	7	7	6	8	7	7	7	7	7

All sides open

		WIDTH (cm)																	
		450	500	550	600	650	700	750	800	850	900	950	1000	1050	1100	1150	1200	1250	1300
PROJECTION (cm)	400	8	8	8	8	8	8	8	8	8	8	8	8	8	8	8	8	8	8
	450	8	8	8	8	8	7	8	8	8	8	8	7	8	8	8	8	8	8
	500	8	8	8	7	7	7	8	8	7	7	7	7	8	8	7	7	7	7
	550	7	7	7	7	7	6	7	7	7	7	7	6	7	7	7	7	7	7
	600	7	7	7	7	7	6	7	7	7	7	7	6	7	7	7	7	7	7

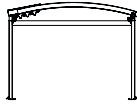
With side enclosure

\*The values are given according to the Beaufort scale.

\*\*Calculated for Products with a front height of 250 cm according to Eurocode EN 1991-1-4 Terrain Category 4.

\*\*\* You can ask for new calculations for special designs.

# CORAL Compact Twin Single Motor



Projection	Width																				FS4 FS10-C		
	2 RAILS			3 RAILS							4 RAILS						5 RAILS						
	250 cm	300 cm	350 cm	400 cm	450 cm	500 cm	550 cm	600 cm	650 cm	700 cm	750 cm	800 cm	850 cm	900 cm	950 cm	1000 cm	1050 cm	1100 cm	1150 cm	1200 cm	1250 cm	1300 cm	
200 cm	€ 7.062	€ 7.427	€ 7.919	€ 9.225	€ 9.717	€ 10.087	€ 10.430	€ 10.770	€ 11.384	€ 11.679	€ 12.862	€ 13.219	€ 13.704	€ 14.067	€ 14.671	€ 15.006	€ 15.341	€ 16.291	€ 16.549	€ 16.751	€ 18.738	€ 19.292	€ 1.375
250 cm	€ 7.354	€ 7.899	€ 8.378	€ 9.577	€ 10.080	€ 10.527	€ 11.045	€ 11.395	€ 11.857	€ 12.160	€ 13.386	€ 13.930	€ 14.611	€ 14.806	€ 15.303	€ 15.649	€ 16.160	€ 17.140	€ 17.406	€ 17.610	€ 19.685	€ 20.248	€ 1.477
300 cm	€ 7.869	€ 8.473	€ 9.008	€ 10.323	€ 10.903	€ 11.423	€ 11.996	€ 12.402	€ 12.920	€ 13.273	€ 14.637	€ 15.242	€ 15.997	€ 16.256	€ 16.798	€ 17.200	€ 17.767	€ 18.854	€ 19.168	€ 19.413	€ 21.705	€ 22.328	€ 1.579
350 cm	€ 8.340	€ 8.783	€ 9.332	€ 10.864	€ 11.461	€ 12.037	€ 12.460	€ 13.040	€ 13.569	€ 13.928	€ 15.348	€ 15.966	€ 16.748	€ 17.006	€ 17.773	€ 18.186	€ 18.600	€ 19.722	€ 20.207	€ 20.454	€ 22.848	€ 23.303	€ 1.681
400 cm	€ 8.639	€ 9.096	€ 9.653	€ 11.221	€ 11.837	€ 12.490	€ 12.922	€ 13.513	€ 14.050	€ 14.420	€ 15.885	€ 16.512	€ 17.303	€ 17.582	€ 18.422	€ 18.845	€ 19.269	€ 20.422	€ 20.914	€ 21.165	€ 23.630	€ 24.096	€ 1.781
450 cm	€ 8.948	€ 9.416	€ 9.983	€ 11.590	€ 12.220	€ 12.954	€ 13.397	€ 13.999	€ 14.546	€ 14.923	€ 16.433	€ 17.071	€ 17.879	€ 18.167	€ 19.084	€ 19.518	€ 19.950	€ 21.138	€ 21.634	€ 21.887	€ 24.427	€ 24.904	€ 1.883
500 cm	€ 9.249	€ 9.726	€ 10.306	€ 11.949	€ 12.596	€ 13.410	€ 13.859	€ 14.473	€ 15.032	€ 15.417	€ 16.972	€ 17.619	€ 18.448	€ 18.744	€ 19.735	€ 20.179	€ 20.622	€ 21.838	€ 22.341	€ 22.601	€ 25.213	€ 25.701	€ 1.985
550 cm	€ 9.779	€ 10.482	€ 11.118	€ 12.890	€ 13.612	€ 14.478	€ 15.148	€ 15.653	€ 16.433	€ 16.869	€ 18.581	€ 19.292	€ 20.195	€ 20.730	€ 21.541	€ 22.063	€ 22.725	€ 24.064	€ 24.611	€ 24.904			€ 2.087
600 cm	€ 10.086	€ 10.798	€ 11.449	€ 13.255	€ 13.994	€ 14.938	€ 15.621	€ 16.138	€ 16.923	€ 17.367	€ 19.127	€ 19.846	€ 20.768	€ 21.314	€ 22.223	€ 22.730	€ 23.404	€ 24.773					€ 2.189
FS3	€ 241	€ 252	€ 275	€ 302	€ 327	€ 352	€ 377	€ 402	€ 427	€ 452	€ 581	€ 606	€ 631	€ 656	€ 683	€ 708	€ 733	€ 758	€ 783	€ 808	€ 833	€ 858	
FS5-A	€ 44	€ 56	€ 65	€ 75	€ 87	€ 96	€ 108	€ 117	€ 129	€ 139	€ 150	€ 160	€ 171	€ 181	€ 192	€ 202	€ 214	€ 223	€ 235	€ 244	€ 256	€ 266	
FS5-E	€ 61	€ 77	€ 90	€ 103	€ 119	€ 132	€ 148	€ 162	€ 178	€ 191	€ 207	€ 220	€ 236	€ 249	€ 265	€ 278	€ 294	€ 307	€ 323	€ 336	€ 352	€ 366	

FS3	Gutter System (For One Side)
FS5-A	Additional Fabric Support Profile (Standard)
FS5-E	Additional Fabric Support Profile (3 Axis)
FS4 FS10-C	Additional Rail for Compact Series - Al. - 75x120mm Additional Pillar for Compact Series - Al. - 80x80mm
FS8	Lighting System

FS8	
FS8-S	SPOT
FS8-L	LINEAR
FS8-LR (RGB)	LINEAR (RGB)

LED TYPE & MODULE		
2 LED	3 LED	4 LED
€ 136	€ 165	€ 194
€ 194	€ 252	
€ 247	€ 320	

### Notes:

- Al. 80x130mm Side Beam is included in the price for right and left side.
- FS Flexy Plain/3D or Stam 6002 is included in the price.
- Motor and Remote control is included in the price.
- Palmiye Aluminium Coating Catalogue includes the standard colours with no extra cost. For any other type/brand/color of paint, price difference and additional delivery duration shall be checked from your customer representative.
- Standard fabric support profile plastic colours are specified in Palmiye Aluminium Coating Catalogue.
- If you use an additional rail you have to add a front pillar. It's included in the price. (FS4+FS10-C)
- The gutter option price is for one side and must be added separately for each side.
- Decorative fabric can not be applied to this model.

### DEDUCTIONS

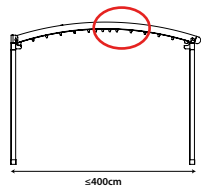
Price deduction is applicable only for front & back pillars and side beam. Deduction amount shall be consider as 70% of related option price.

## OPTIONS

FS10-C	Extra pillar (80x80mm Al.)	€ 403	pcs
FS10	Extra pillar (100x100mm Al.)	€ 548	pcs
FS10-ST3	Extra pillar (100x100x3mm St.)	€ 525	pcs
FS10-ST5	Extra pillar (100x100x5mm St.)	€ 765	pcs
FS15-C	Side beam pillar (80x80mm - Al)	€ 403	pcs
FS19	Fix louver	€ 75	lm
FS23	External Square Downpipe	€ 335	pcs
FS24	W96 Ceiling Cover	€ 84	m <sup>2</sup>
FS26	Exclusive fabric difference (up to 800cm width)	€ 49	m <sup>2</sup>
FS29-1	Sun Sensor (SUNIS) (for single motor)	€ 621	pcs
FS29-1S	Sun Sensor (SUNIS) (for synchronized motor)	€ 990	pcs
FS29-2	Wind Sensor (EOLIS RTS) (for single motor)	€ 293	pcs
FS29-2S	Wind Sensor (EOLIS RTS) (for synchronized motor)	€ 658	pcs
FS29-3	Sun and Wind Sensor (SOLIRIS RTS) (for single motor)	€ 331	pcs
FS29-3S	Sun and Wind Sensor (SOLIRIS RTS) (for synchronized motor)	€ 696	pcs
FS29-42	Rain Sensor (ONDEIS) (for single motor)	€ 574	pcs
FS29-4S3	Rain Sensor (ONDEIS) (for synchronized motor)	€ 938	pcs
FS30	CONNEXOON	€ 525	pcs

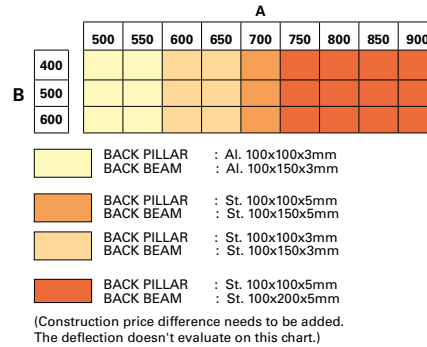
### Notes:

1. Fabric support profiles can be painted in the same color as the general construction. No fee is paid for this process. However, the plastic color should be specified from our standard plastic colours in Palmiye Color Chart.
2. For one product, a dry contact transmitter costing 368€, must be added.
3. Up to 5 products, a RS485 Automation interface dry contact transmitter costing 1126€, must be added.



For projections of 4 meters or less, an extra fabric profile is added on either side of the central fabric profile to avoid water buildup along the pergola's central axis.

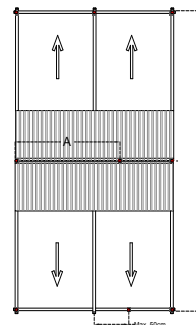
## BACK PILLAR POSITION CHANGE



## EXTENSIONS

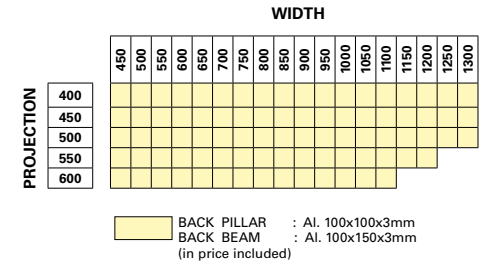
Rail	Compact - 75x120mm	€ 206	lm
Beam	Al. 80x130mm	€ 98	lm
Beam	Al. 100x150mm	€ 155	lm
Beam	St. 100x150x3mm	€ 320	lm
Beam	St. 100x150x5mm	€ 388	lm
Beam	St. 100x200x3mm	€ 325	lm
Beam	St. 100x200x5mm	€ 462	lm
Fabric protection cover	Al. - 63x__cm	€ 60	m <sup>2</sup>
Gutter	Special Profile	€ 45	lm
Pillar	Al. 80x80mm	€ 87	lm
Pillar	Al. 100x100mm	€ 173	lm
Pillar	St. 100x100x3mm	€ 217	lm
Pillar	St. 100x100x5mm	€ 388	lm
Pillar	St. 150x150x3mm	€ 439	lm
Pillar	St. 150x150x5mm	€ 615	lm

- \*Max. Al. Front pillar (Al. 80x80mm) height is 280cm
- \*Max. St 3mm. Front pillar (St. 100x100x3mm) height is 380cm
- \*Max. St. 5mm Front pillar (St. 100x100x5mm) height is 480cm



Middle front pillars can only be moved max. 50 cm towards right or left side.

## STANDARD CONSTRUCTION

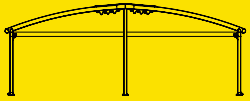


## PRICE DIFFERENCE

		BEAM GROUP	
		Standard	Al. 100x150mm
Back Beam	to		St. 100x150x3mm € 160 lm
			St. 100x150x5mm € 238 lm
			St. 100x200x3mm € 165 lm
			St. 100x200x5mm € 311 lm
		Standard	Al. 80x130mm
Front Beam	to		Al. 100x150mm € 57 lm
			St. 100x150x3mm € 234 lm
			St. 100x150x5mm € 312 lm
			St. 100x200x3mm € 239 lm
		St. 100x200x5mm € 385 lm	
		Standard	Al. 100x100mm
Back Pillar	to		St. 100x100x3mm € 111 pcs
			St. 100x100x5mm € 456 pcs
			St. 150x150x3mm € 696 pcs
			St. 150x150x5mm € 1.231 pcs
		Standard	Al. 80x80mm
Front Pillar	to		Al. 100x100mm € 142 pcs
			St. 100x100x3mm € 296 pcs
			St. 100x100x5mm € 641 pcs
			St. 150x150x3mm € 881 pcs
		St. 150x150x5mm € 1.416 pcs	

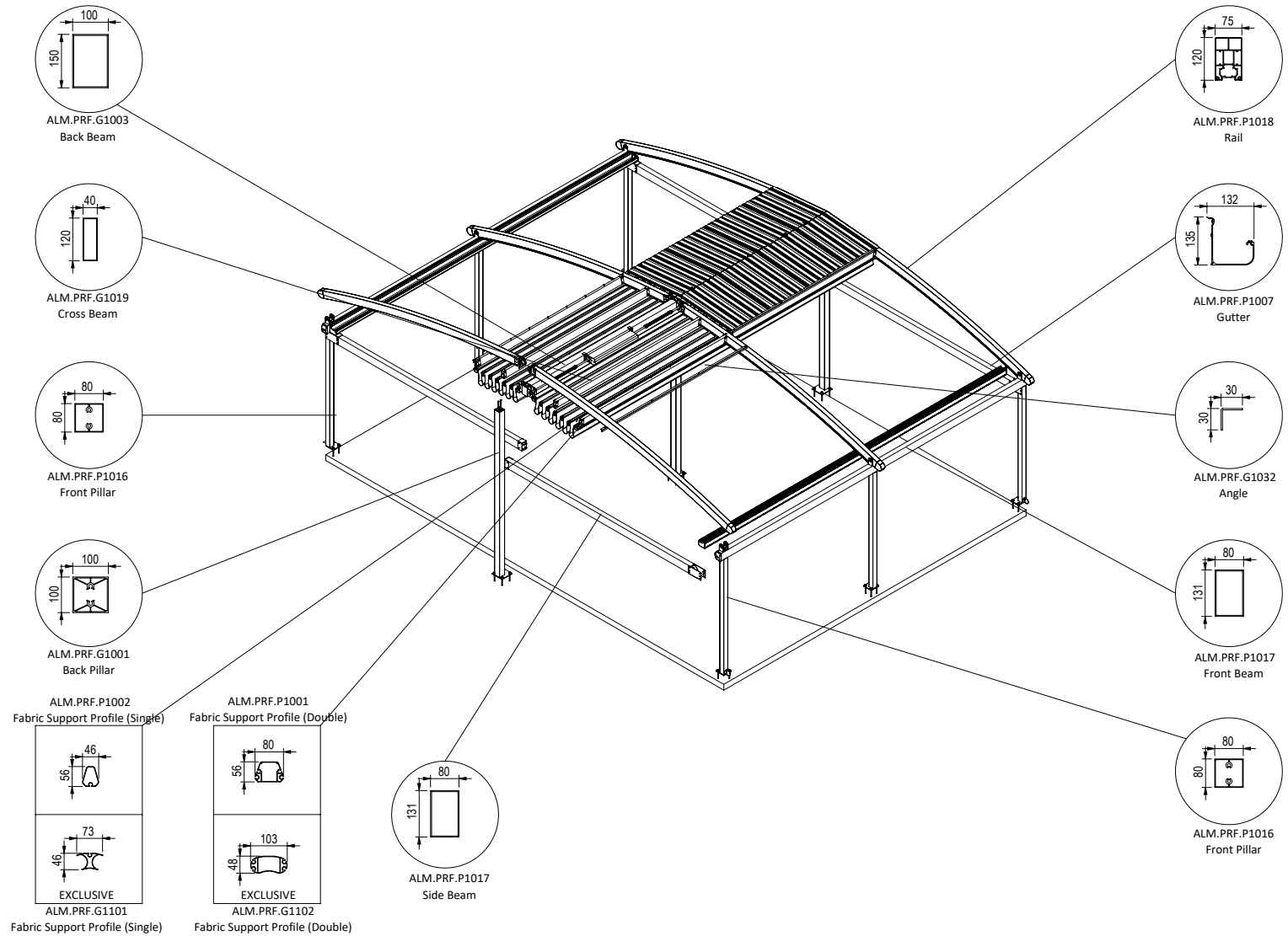
# CORAL

## Compact Twin



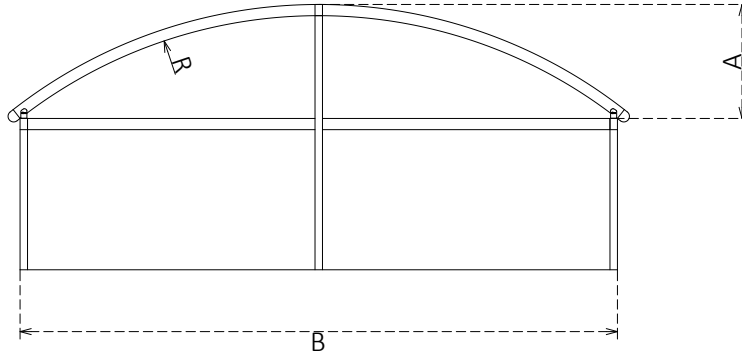
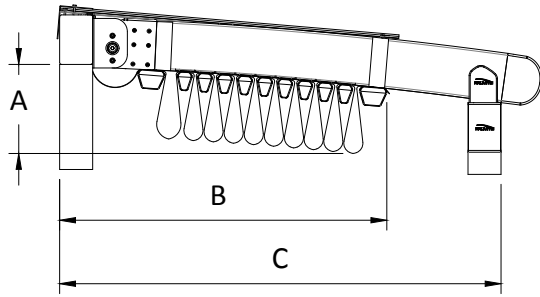
### MAXIMUM DIMENSIONS

	WIDTH	PROJECTION
2 RAILS	400 cm	1200 cm
3 RAILS	800 cm	1200 cm
4 RAILS	1200 cm	1200 cm
5 RAILS	1300 cm	1200 cm



# TECHNICAL FEATURES

## COLLECTED FABRIC DIMENSIONS



No of Fabric Support Profiles	Projection cm										C
	200	250	300	350	400	450	500	550	600		
5	30										68
6		31									74
7			32								81
9				34							94
10					35						100
11						36					107
13							38				120
14								39			126
15									40		133

\*Calculated according to a slope of 15%

## DRAINAGE CALCULATION

Type	Max. m <sup>2</sup>
Compact	30 m <sup>2</sup> /pc

\* per drainage

There should be at least one drainage, each 8 m length gutter.

## RADIUS CHART

RADIUS	650	850	1500	2850	
Projection	A				B
250	34				
300	41				
350	49				
400	58				
450	68	56			
500	81	65			
550	94	74			
600		85			
650		96			
700		109			
750		122	75		
800		137	83		
850		153	91		
900			100		
950			109		
1000			118		
1050			128		
1100			139		
1150			150	89	
1200			161	94	

\*The values are approx. ± 5 cm

## WIND RESISTANCE

PROJECTION (cm)	WIDTH (cm)																		
	450	500	550	600	650	700	750	800	850	900	950	1000	1050	1100	1150	1200	1250	1300	
800	11	11	11	10	10	9	8	8	11	10	10	10	9	9	8	8	10	10	
900	11	10	10	9	9	8	7	7	10	9	9	9	8	8	7	7	9	9	
1000	10	9	9	8	8	7	7	7	9	8	8	8	7	7	7	7	8	8	
1100	10	9	8	8	8	6	6	6	9	8	8	8	6	6	6	6	8	8	
1200	9	8	8	7	7	6	6	6	8	7	7	7	6	6	6	6	7	7	

All sides open

PROJECTION (cm)	WIDTH (cm)																		
	450	500	550	600	650	700	750	800	850	900	950	1000	1050	1100	1150	1200	1250	1300	
800	10	10	10	10	9	8	8	8	10	10	9	9	8	8	8	8	9	9	
900	10	10	9	9	9	8	8	7	10	9	9	9	8	8	8	7	9	9	
1000	9	9	9	9	9	7	7	7	9	9	9	9	7	7	7	7	9	9	
1100	9	9	9	9	8	7	7	7	9	9	8	8	7	7	7	7	8	8	
1200	9	9	9	9	8	7	7	7	9	9	8	8	7	7	7	7	8	8	

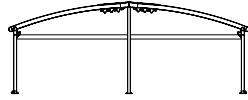
With side enclosure

\*The values are given according to the Beaufort scale.

\*\*Calculated for Products with a front height of 250 cm according to Eurocode EN 1991-1-4 Terrain Category 4.

\*\*\* You can ask for new calculations for special designs.

# CORAL Compact Twin



Projection	Width	2 RAILS				3 RAILS								4 RAILS						5 RAILS		FS4 FS10-C	
		250 cm	300 cm	350 cm	400 cm	450 cm	500 cm	550 cm	600 cm	650 cm	700 cm	750 cm	800 cm	850 cm	900 cm	950 cm	1000 cm	1050 cm	1100 cm	1150 cm	1200 cm		1250 cm
400 cm	€ 10.899	€ 11.433	€ 12.469	€ 13.010	€ 15.359	€ 15.893	€ 16.433	€ 16.965	€ 17.997	€ 18.536	€ 19.163	€ 19.694	€ 21.567	€ 22.079	€ 23.086	€ 23.598	€ 24.105	€ 24.620	€ 25.125	€ 25.638	€ 28.610	€ 29.411	€ 1.781
450 cm	€ 11.182	€ 11.863	€ 12.770	€ 13.318	€ 15.788	€ 16.328	€ 17.015	€ 17.556	€ 18.457	€ 19.000	€ 19.640	€ 20.319	€ 22.306	€ 22.831	€ 23.705	€ 24.227	€ 24.884	€ 25.406	€ 25.920	€ 26.440	€ 29.533	€ 30.339	€ 1.883
500 cm	€ 11.464	€ 12.289	€ 13.070	€ 13.623	€ 16.214	€ 16.761	€ 17.597	€ 18.141	€ 18.918	€ 19.462	€ 20.113	€ 20.938	€ 23.045	€ 23.582	€ 24.324	€ 24.850	€ 25.660	€ 26.186	€ 26.711	€ 27.239	€ 30.449	€ 31.263	€ 1.985
550 cm	€ 11.910	€ 12.780	€ 13.599	€ 14.196	€ 16.944	€ 17.533	€ 18.411	€ 19.000	€ 19.816	€ 20.405	€ 21.093	€ 21.963	€ 24.225	€ 24.798	€ 25.589	€ 26.156	€ 27.005	€ 27.570	€ 28.141	€ 28.710	€ 32.073	€ 32.930	€ 2.087
600 cm	€ 12.351	€ 13.272	€ 14.130	€ 14.768	€ 17.672	€ 18.306	€ 19.223	€ 19.855	€ 20.710	€ 21.344	€ 22.072	€ 22.985	€ 25.406	€ 26.014	€ 26.850	€ 27.458	€ 28.347	€ 28.953	€ 29.566	€ 30.178	€ 33.693	€ 34.591	€ 2.189
650 cm	€ 12.781	€ 13.571	€ 14.437	€ 15.221	€ 18.248	€ 18.888	€ 19.673	€ 20.455	€ 21.320	€ 21.960	€ 22.699	€ 23.619	€ 26.161	€ 26.779	€ 27.757	€ 28.378	€ 29.136	€ 29.752	€ 30.509	€ 31.128	€ 34.765	€ 35.538	€ 2.289
700 cm	€ 13.214	€ 13.870	€ 14.742	€ 15.676	€ 18.824	€ 19.473	€ 20.126	€ 21.054	€ 21.930	€ 22.577	€ 23.325	€ 24.253	€ 26.919	€ 27.546	€ 28.663	€ 29.297	€ 29.924	€ 30.552	€ 31.452	€ 32.077	€ 35.835	€ 36.481	€ 2.391
750 cm	€ 13.505	€ 14.170	€ 15.053	€ 15.990	€ 19.264	€ 19.920	€ 20.586	€ 21.520	€ 22.403	€ 23.060	€ 23.814	€ 24.747	€ 27.540	€ 28.174	€ 29.301	€ 29.942	€ 30.578	€ 31.213	€ 32.122	€ 32.754	€ 36.638	€ 37.291	€ 2.493
800 cm	€ 13.797	€ 14.467	€ 15.358	€ 16.302	€ 19.700	€ 20.368	€ 21.041	€ 21.984	€ 22.873	€ 23.539	€ 24.300	€ 25.239	€ 28.158	€ 28.801	€ 29.935	€ 30.584	€ 31.231	€ 31.871	€ 32.790	€ 33.430	€ 37.437	€ 38.097	€ 2.595
850 cm	€ 14.093	€ 14.776	€ 15.676	€ 16.630	€ 20.147	€ 20.824	€ 21.507	€ 22.455	€ 23.353	€ 24.025	€ 24.800	€ 25.748	€ 28.786	€ 29.435	€ 30.582	€ 31.237	€ 31.890	€ 32.541	€ 33.467	€ 34.116	€ 38.245	€ 38.911	€ 2.697
900 cm	€ 14.392	€ 15.084	€ 15.990	€ 16.953	€ 20.594	€ 21.282	€ 21.971	€ 22.925	€ 23.832	€ 24.511	€ 25.295	€ 26.253	€ 29.409	€ 30.071	€ 31.228	€ 31.888	€ 32.548	€ 33.209	€ 34.141	€ 34.801	€ 39.051	€ 39.721	€ 2.797
950 cm	€ 14.686	€ 15.384	€ 16.300	€ 17.269	€ 21.037	€ 21.731	€ 22.425	€ 23.391	€ 24.306	€ 24.994	€ 25.784	€ 26.749	€ 30.034	€ 30.702	€ 31.864	€ 32.535	€ 33.201	€ 33.869	€ 34.810	€ 35.480	€ 39.850	€ 40.531	€ 2.899
1000 cm	€ 14.978	€ 15.683	€ 16.607	€ 17.586	€ 21.477	€ 22.177	€ 22.878	€ 23.853	€ 24.773	€ 25.473	€ 26.268	€ 27.239	€ 30.655	€ 31.329	€ 32.498	€ 33.179	€ 33.851	€ 34.524	€ 35.476	€ 36.155	€ 40.647	€ 41.338	€ 3.001
1050 cm	€ 15.440	€ 16.321	€ 17.288	€ 18.304	€ 22.354	€ 23.099	€ 23.980	€ 24.843	€ 25.958	€ 26.697	€ 27.533	€ 28.545	€ 32.116	€ 32.971	€ 34.041	€ 34.762	€ 35.618	€ 36.329	€ 37.321	€ 38.039	€ 42.690	€ 43.556	€ 3.103
1100 cm	€ 15.900	€ 16.957	€ 17.967	€ 19.024	€ 23.232	€ 24.019	€ 25.078	€ 25.828	€ 27.138	€ 27.916	€ 28.797	€ 29.847	€ 33.577	€ 34.610	€ 35.583	€ 36.342	€ 37.381	€ 38.133	€ 39.160	€ 39.918	€ 44.729	€ 45.769	€ 3.205
1150 cm	€ 16.207	€ 17.273	€ 18.291	€ 19.357	€ 23.685	€ 24.480	€ 25.550	€ 26.324	€ 27.624	€ 28.414	€ 29.299	€ 30.358	€ 34.210	€ 35.250	€ 36.342	€ 37.001	€ 38.045	€ 38.806	€ 39.841	€ 40.610	€ 45.539	€ 46.589	€ 3.305
1200 cm	€ 16.516	€ 17.591	€ 18.616	€ 19.690	€ 24.139	€ 24.942	€ 26.019	€ 26.820	€ 28.111	€ 28.910	€ 29.802	€ 30.872	€ 34.844	€ 35.888	€ 37.100	€ 37.661	€ 38.711	€ 39.482	€ 40.524	€ 41.302	€ 46.349	€ 47.410	€ 3.407
FS3	€ 241	€ 252	€ 275	€ 302	€ 327	€ 352	€ 377	€ 402	€ 427	€ 452	€ 581	€ 606	€ 631	€ 656	€ 683	€ 708	€ 733	€ 758	€ 783	€ 808	€ 833	€ 858	
FS5-A	€ 44	€ 56	€ 65	€ 75	€ 87	€ 96	€ 108	€ 117	€ 129	€ 139	€ 150	€ 160	€ 171	€ 181	€ 192	€ 202	€ 214	€ 223	€ 235	€ 244	€ 256	€ 266	
FS5-E	€ 61	€ 77	€ 90	€ 103	€ 119	€ 132	€ 148	€ 162	€ 178	€ 191	€ 207	€ 220	€ 236	€ 249	€ 265	€ 278	€ 294	€ 307	€ 323	€ 336	€ 352	€ 366	

FS3	Gutter System (For One Side)
FS5-A	Additional Fabric Support Profile (Standard)
FS5-E	Additional Fabric Support Profile (3 Axis)
FS4 FS10-C	Additional Rail for Compact Series- Al.- 75x120mm Additional Pillar for Compact Series- Al.- 80x80mm
FS8	Lighting System

FS8	
FS8-S	SPOT
FS8-L	LINEAR
FS8-LR (RGB)	LINEAR (RGB)

LED TYPE & MODULE		
2 LED	3 LED	4 LED
€ 136	€ 165	€ 194
€ 194	€ 252	
€ 247	€ 320	

### Notes:

- Al. 80x130mm Side Beam is included in the price for right and left side.
- FS Flexy Plain/3D or Stam 6002 is included in the price.
- Motor and Remote control is included in the price.
- Palmiye Aluminium Coating Catalogue includes the standard colours with no extra cost. For any other type/brand/coulor of paint, price difference and additional delivery duration shall be checked from your customer representative.
- Standard fabric support profile plastic colours are specified in Palmiye Aluminium Coating Catalogue.
- If you use an additional rail you have to add a front pillar. It's included in the price. (FS4+FS10-C)
- The gutter option price is for one side and must be added separately for each side.
- In pergolas including steel front pillars, if gutter option is preferred, external water drainage points will be specified according to the Project and will be priced additionally.

### DEDUCTIONS

Price deduction is applicable only for front & back pillars and side beam. Deduction amount shall be consider as 70% of related option price.

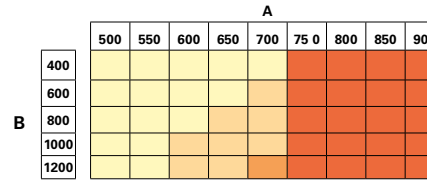
## OPTIONS

FS10-C	Extra pillar (80x80mm Al.)	€ 403	pcs
FS10	Extra pillar (100x100mm Al.)	€ 548	pcs
FS10-ST3	Extra pillar (100x100x3mm St.)	€ 525	pcs
FS10-ST5	Extra pillar (100x100x5mm St.)	€ 765	pcs
FS11	Deco ceiling cover	€ 72	m <sup>2</sup>
FS15-C	Side beam pillar (80x80mm - Al)	€ 403	pcs
FS19	Fix louver	€ 75	lm
FS23	External Square Downpipe	€ 335	pcs
FS24	W96 Ceiling Cover	€ 84	m <sup>2</sup>
FS26	Exclusive fabric difference (up to 800cm width)	€ 49	m <sup>2</sup>
FS29-1	Sun Sensor (SUNIS) (for single motor)	€ 621	pcs
FS29-1S	Sun Sensor (SUNIS) (for synchronized motor)	€ 990	pcs
FS29-2	Wind Sensor (EOLIS RTS) (for single motor)	€ 293	pcs
FS29-2S	Wind Sensor (EOLIS RTS) (for synchronized motor)	€ 658	pcs
FS29-3	Sun and Wind Sensor (SOLIRIS RTS) (for single motor)	€ 331	pcs
FS29-3S	Sun and Wind Sensor (SOLIRIS RTS) (for synchronized motor)	€ 696	pcs
FS29-4 <sup>2/3</sup>	Rain Sensor (ONDEIS) (for single motor)	€ 574	pcs
FS29-4S <sup>2/3</sup>	Rain Sensor (ONDEIS) (for synchronized motor)	€ 938	pcs
FS30	CONNEXOON	€ 525	pcs

### Notes:

1. Fabric support profiles can be painted in the same color as the general construction. No fee is paid for this process. However, the plastic color should be specified from our standard plastic colours in Palmiye Color Chart.
2. For one product, a dry contact transmitter costing 368€, must be added.
3. Up to 5 products, a RS485 Automation interface dry contact transmitter costing 1126€, must be added.

## BACK PILLAR POSITION CHANGE



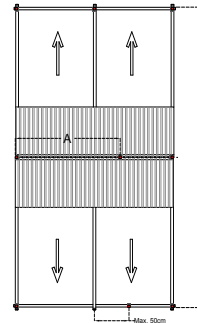
	BACK PILLAR	: Al. 100x100x3mm
	BACK BEAM	: Al. 100x150x3mm
	BACK PILLAR	: St. 100x100x5mm
	BACK BEAM	: St. 100x150x5mm
	BACK PILLAR	: St. 100x100x3mm
	BACK BEAM	: St. 100x150x3mm
	BACK PILLAR	: St. 100x100x5mm
	BACK BEAM	: St. 100x200x5mm

\* Price difference needs to be added.  
(The deflection doesn't evaluate on this chart)

## EXTENSIONS

Rail	Compact - 75x120mm	€ 206	lm
Beam	Al. 80x130mm	€ 98	lm
Beam	Al. 100x150mm	€ 155	lm
Beam	St. 100x150x3mm	€ 320	lm
Beam	St. 100x150x5mm	€ 388	lm
Beam	St. 100x200x3mm	€ 325	lm
Beam	St. 100x200x5mm	€ 462	lm
Fabric protection cover	Al. - 63x__cm	€ 60	m <sup>2</sup>
Gutter	Special Profile	€ 45	lm
Pillar	Al. 80x80mm	€ 87	lm
Pillar	Al. 100x100mm	€ 173	lm
Pillar	St. 100x100x3mm	€ 217	lm
Pillar	St. 100x100x5mm	€ 388	lm
Pillar	St. 150x150x3mm	€ 439	lm
Pillar	St. 150x150x5mm	€ 615	lm

- \*Max. Al. Front pillar (Al. 80x80mm) height is 280cm
- \*Max. St 3mm. Front pillar (St. 100x100x3mm) height is 380cm
- \*Max. St. 5mm Front pillar (St. 100x100x5mm) height is 480cm



Middle front pillars can only be moved max. 50 cm towards right or left side.

## STANDARD CONSTRUCTION

### WIDTH

PROJECTION	400																			
	600																			
	800																			
	900																			
	1000																			
	1100																			
	1200																			
	1300																			

	BACK PILLAR	: Al. 100x100x3mm
	BACK BEAM	: Al. 100x150x3mm

(in price included)

## PRICE DIFFERENCE

### BEAM GROUP

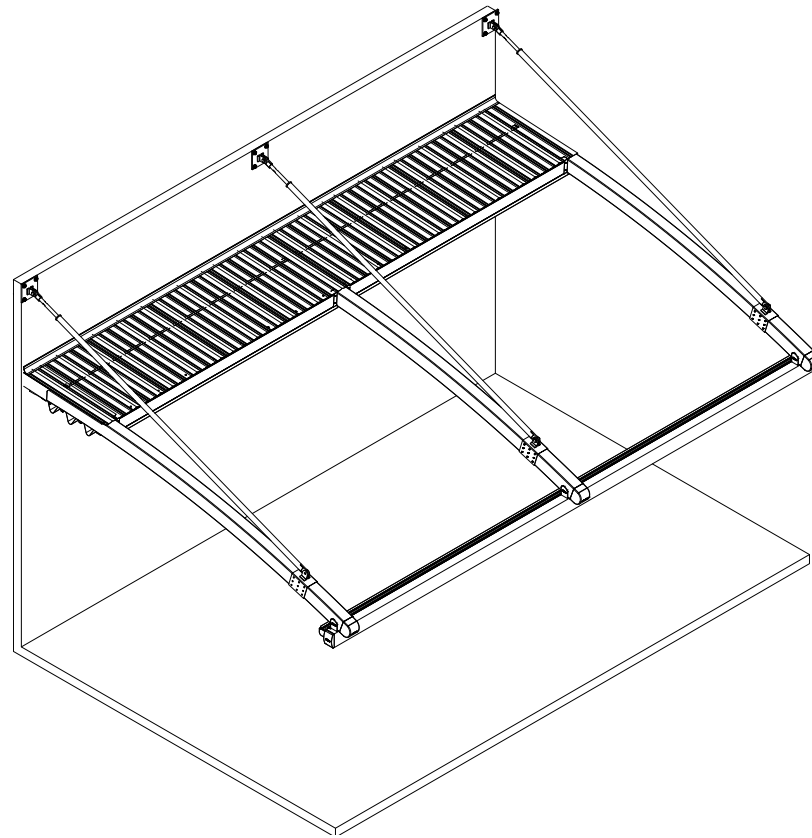
Standard		Al. 100x150mm	
to	St. 100x150x3mm	€ 160	lm
	St. 100x150x5mm	€ 238	lm
	St. 100x200x3mm	€ 165	lm
	St. 100x200x5mm	€ 311	lm

Standard		Al. 80x130mm	
to	Al. 100x150mm	€ 57	lm
	St. 100x150x3mm	€ 234	lm
	St. 100x150x5mm	€ 312	lm
	St. 100x200x3mm	€ 239	lm
	St. 100x200x5mm	€ 385	lm

### PILLAR GROUP

Standard		Al. 100x100mm	
to	St. 100x100x3mm	€ 111	pcs
	St. 100x100x5mm	€ 456	pcs
	St. 150x150x3mm	€ 696	pcs
	St. 150x150x5mm	€ 1.231	pcs

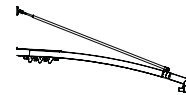
Standard		Al. 80x80mm	
to	Al. 100x100mm	€ 142	pcs
	St. 100x100x3mm	€ 296	pcs
	St. 100x100x5mm	€ 641	pcs
	St. 150x150x3mm	€ 881	pcs
	St. 150x150x5mm	€ 1.416	pcs



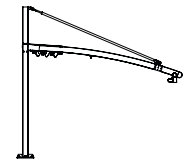
# CORAL HANGING

## PRODUCT FORMS

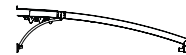
- **Coral Hanging** Wall / Ceiling



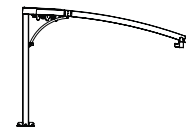
- **Coral Hanging** Freestanding



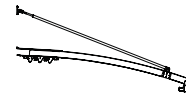
- **Coral Hanging** Wall / Ceiling Installation - Buttress



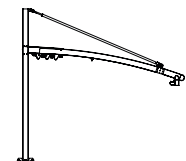
- **Coral Hanging** Freestanding - Buttress



- **Coral Compact Hanging** Wall / Ceiling



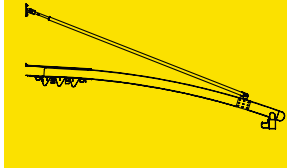
- **Coral Compact Hanging** Freestanding



# CORAL

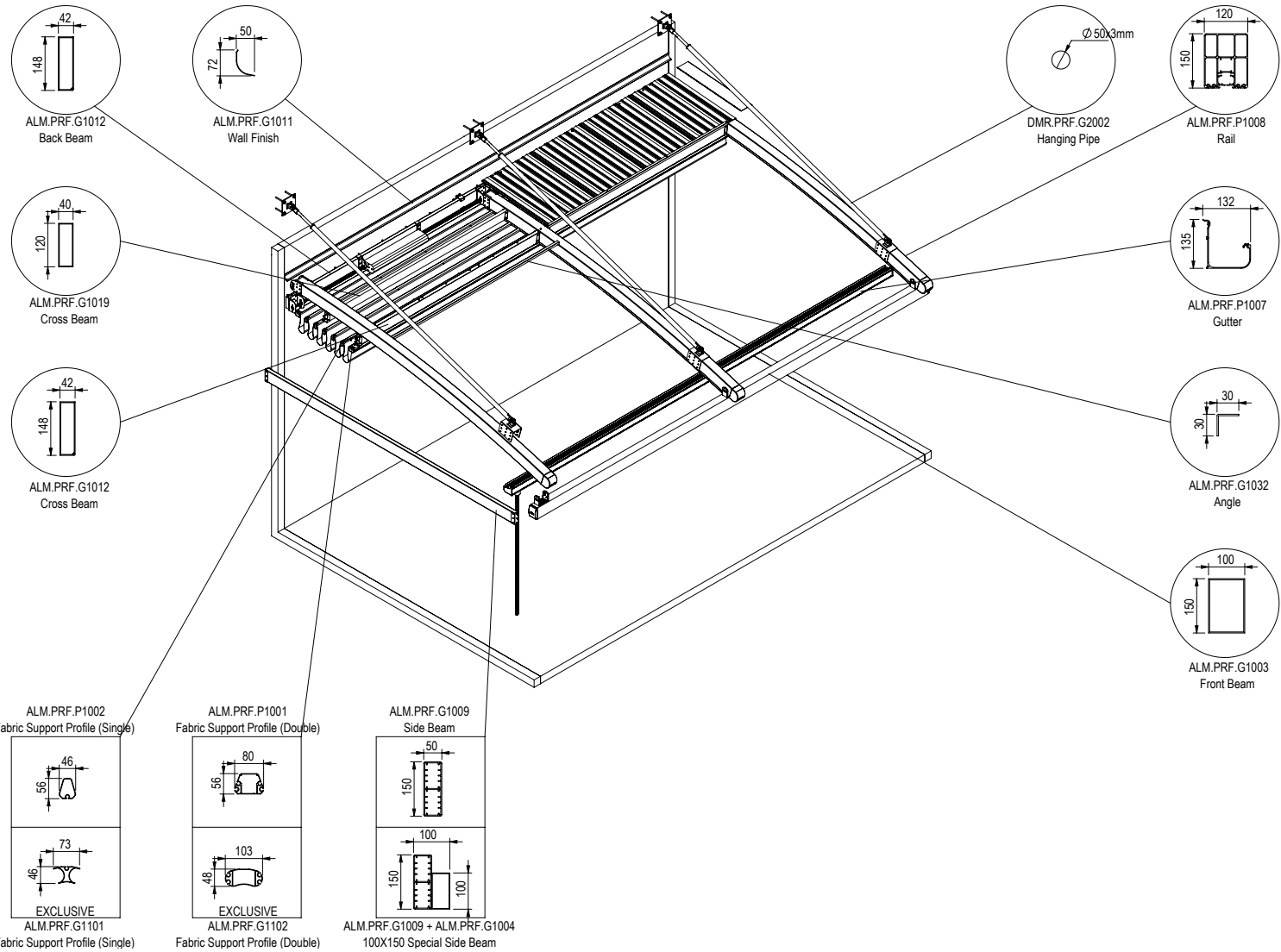
## Hanging

### Wall / Ceiling



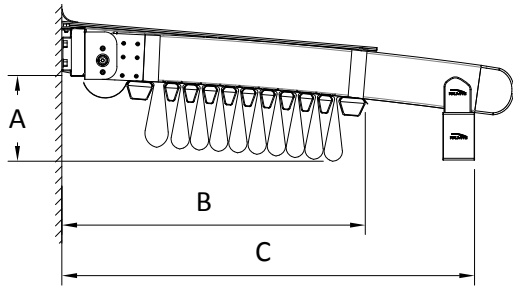
#### MAXIMUM DIMENSIONS

	WIDTH	PROJECTION
2 RAILS	400 cm	600 cm
3 RAILS	800 cm	600 cm
4 RAILS	1200 cm	600 cm
5 RAILS	1300 cm	600 cm



# TECHNICAL FEATURES

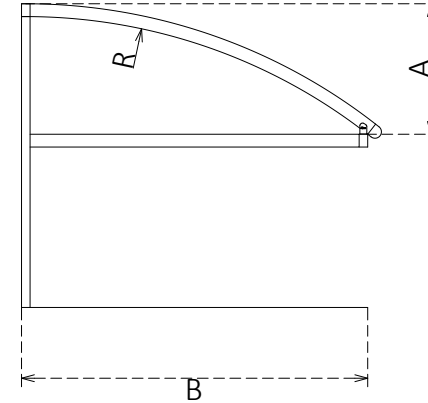
## COLLECTED FABRIC DIMENSIONS



## RADIUS CHART

RADIUS	850	1500	2850
B	A		
250	63		
300	83		
350	107		
400	135	82	
450	168	98	
500		116	
550		137	
600		160	93

\*The values are approx. ± 5 cm



No of Fabric Support Profiles	Projection cm									
	200	250	300	350	400	450	500	550	600	C
5	30									68
6		31								74
7			32							81
9				34						94
10					35					100
11						36				107
13							38			120
14								39		126
15									40	133

\*Calculated according to a slope of 15%

## DRAINAGE CALCULATION

Type	Max. m <sup>2</sup>
Full	39 m <sup>2</sup> /pc

\* per drainage

There should be at least one drainage, each 8 m length gutter.

## WIND RESISTANCE

PROJECTION (cm)	WIDTH (cm)																	
	450	500	550	600	650	700	750	800	850	900	950	1000	1050	1100	1150	1200	1250	1300
400	10	10	10	9	9	9	8	8	8	7	9	9	9	8	8	8	8	7
450	10	9	8	8	8	8	7	7	7	7	8	8	8	7	7	7	7	7
500	9	8	7	7	7	7	6	6	6	6	7	7	7	6	6	6	6	6
550	8	7	7	7	7	6	6	6	6	6	7	6	6	6	6	6	6	6
600	7	6	6	6	6	5	5	5	5	5	6	5	5	5	5	5	5	5

\*The values are given according to the Beaufort scale.

\*\*Calculated for Products with a front height of 250 cm according to Eurocode EN 1991-1-4 Terrain Category 4.

\*\*\* You can ask for new calculations for special designs.

All sides open

# CORAL Hanging Wall / Ceiling



Projection	Width	2 RAILS				3 RAILS								4 RAILS								5 RAILS		FS4	FS9	FS9-S
		250 cm	300 cm	350 cm	400 cm	450 cm	500 cm	550 cm	600 cm	650 cm	700 cm	750 cm	800 cm	850 cm	900 cm	950 cm	1000 cm	1050 cm	1100 cm	1150 cm	1200 cm	1250 cm	1300 cm			
200 cm		€ 8.368	€ 8.783	€ 9.582	€ 10.003	€ 11.816	€ 12.230	€ 12.650	€ 13.064	€ 13.865	€ 14.284	€ 14.774	€ 15.187	€ 16.637	€ 17.041	€ 17.823	€ 18.225	€ 18.624	€ 19.026	€ 19.423	€ 19.825	€ 22.134	€ 22.760	€ 1.185	€ 242	€ 322
250 cm		€ 8.817	€ 9.455	€ 10.059	€ 10.492	€ 12.493	€ 12.920	€ 13.571	€ 13.996	€ 14.600	€ 15.026	€ 15.532	€ 16.177	€ 17.810	€ 18.231	€ 18.813	€ 19.226	€ 19.861	€ 20.274	€ 20.687	€ 21.103	€ 23.600	€ 24.238	€ 1.308	€ 292	€ 402
300 cm		€ 9.511	€ 10.224	€ 10.892	€ 11.386	€ 13.636	€ 14.132	€ 14.845	€ 15.341	€ 16.007	€ 16.502	€ 17.071	€ 17.786	€ 19.668	€ 20.145	€ 20.802	€ 21.279	€ 21.975	€ 22.452	€ 22.936	€ 23.419	€ 26.158	€ 26.867	€ 1.432	€ 343	€ 483
350 cm		€ 10.188	€ 10.701	€ 11.380	€ 12.106	€ 14.551	€ 15.058	€ 15.569	€ 16.295	€ 16.980	€ 17.487	€ 18.072	€ 18.798	€ 20.875	€ 21.370	€ 22.244	€ 22.745	€ 23.241	€ 23.735	€ 24.442	€ 24.938	€ 27.873	€ 28.384	€ 1.555	€ 393	€ 563
400 cm		€ 10.654	€ 11.178	€ 11.874	€ 12.611	€ 15.253	€ 15.777	€ 16.306	€ 17.041	€ 17.739	€ 18.263	€ 18.860	€ 19.597	€ 21.875	€ 22.382	€ 23.275	€ 23.786	€ 24.298	€ 24.805	€ 25.531	€ 26.036	€ 29.173	€ 29.697	€ 1.678	€ 443	€ 644
450 cm		€ 11.131	€ 11.672	€ 12.381	€ 13.135	€ 15.971	€ 16.512	€ 17.052	€ 17.801	€ 18.515	€ 19.051	€ 19.666	€ 20.420	€ 22.888	€ 23.411	€ 24.321	€ 24.844	€ 25.368	€ 25.892	€ 26.629	€ 27.153	€ 30.485	€ 31.020	€ 1.801	€ 493	€ 724
500 cm		€ 11.601	€ 12.153	€ 12.879	€ 13.644	€ 16.682	€ 17.234	€ 17.788	€ 18.553	€ 19.277	€ 19.831	€ 20.457	€ 21.223	€ 23.898	€ 24.433	€ 25.355	€ 25.896	€ 26.431	€ 26.966	€ 27.720	€ 28.261	€ 31.789	€ 32.341	€ 1.924	€ 543	€ 805
550 cm		€ 12.070	€ 12.634	€ 13.376	€ 14.153	€ 17.393	€ 17.956	€ 18.523	€ 19.305	€ 20.038	€ 20.611	€ 21.249	€ 22.025	€ 24.908	€ 25.454	€ 26.390	€ 26.947	€ 27.493	€ 28.040	€ 28.811	€ 29.368	€ 33.093	€ 33.662	€ 2.047	€ 593	€ 885
600 cm		€ 12.540	€ 13.114	€ 13.874	€ 14.662	€ 18.104	€ 18.678	€ 19.258	€ 20.057	€ 20.800	€ 21.391	€ 22.040	€ 22.828	€ 25.918	€ 26.476	€ 27.424	€ 27.999	€ 28.556	€ 29.114	€ 29.901	€ 30.476	€ 34.397	€ 34.982	€ 2.170	€ 643	€ 966
FS3		€ 241	€ 252	€ 275	€ 302	€ 327	€ 352	€ 377	€ 402	€ 427	€ 452	€ 581	€ 606	€ 631	€ 656	€ 683	€ 708	€ 733	€ 758	€ 783	€ 808	€ 833	€ 858			
FS5-A		€ 44	€ 56	€ 65	€ 75	€ 87	€ 96	€ 108	€ 117	€ 129	€ 139	€ 150	€ 160	€ 171	€ 181	€ 192	€ 202	€ 214	€ 223	€ 235	€ 244	€ 256	€ 266			
FS5-E		€ 61	€ 77	€ 90	€ 103	€ 119	€ 132	€ 148	€ 162	€ 178	€ 191	€ 207	€ 220	€ 236	€ 249	€ 265	€ 278	€ 294	€ 307	€ 323	€ 336	€ 352	€ 366			

FS3	Gutter System
FS5-A	Additional Fabric Support Profile (Standard)
FS5-E	Additional Fabric Support Profile (3 Axis)
FS4	Additional Rail - Al.Plus- 120x150mm
FS8	Lighting System
FS9	Side Beam - Al. - 50x150mm
FS9-S	Side Beam - Al. - 100x150mm (Special)

FS8	
FS8-S	SPOT
FS8-L	LINEAR
FS8-LR (RGB)	LINEAR (RGB)

LED TYPE & MODULE		
2 LED	3 LED	4 LED
€ 136	€ 165	€ 194
€ 194	€ 252	
€ 247	€ 320	

### Notes:

1. Any Side Beam is not included in the price.
2. FS Flexy Plain/3D or Stam 6002 is included in the price.
3. Motor and Remote control is included in the price.
4. Palmiye Aluminium Coating Catalogue includes the standard colours with no extra cost. For any other type/brand/color of paint, price difference and additional delivery duration shall be checked from your customer representative.
5. Standard fabric support profile plastic colours are specified in Palmiye Aluminium Coating Catalogue.

## OPTIONS

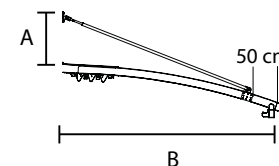
FS11	Deco ceiling cover	€ 72	m <sup>2</sup>
FS15	Side beam pillar (50x100mm - Al)	€ 284	pcs
FS15-B	Side beam pillar (100x100mm - Al)	€ 548	pcs
FS19	Fix louver	€ 75	lm
FS24	W96 Ceiling Cover	€ 84	m <sup>2</sup>
FS26	Exclusive fabric difference (up to 800cm width)	€ 49	m <sup>2</sup>
FS28-1	Stainless steel chain - 100 cm	€ 79	1m
FS28-2	Stainless steel chain - 200 cm	€ 153	2m
FS28-3	Stainless steel chain - 300 cm	€ 224	3m
FS28-4	Stainless steel chain - 400 cm	€ 298	4m
FS29-1	Sun Sensor (SUNIS) (for single motor)	€ 621	pcs
FS29-1S	Sun Sensor (SUNIS) (for synchronized motor)	€ 990	pcs
FS29-2	Wind Sensor (EOLIS RTS) (for single motor)	€ 293	pcs
FS29-2S	Wind Sensor (EOLIS RTS) (for synchronized motor)	€ 658	pcs
FS29-3	Sun and Wind Sensor (SOLIRIS RTS) (for single motor)	€ 331	pcs
FS29-3S	Sun and Wind Sensor (SOLIRIS RTS) (for synchronized motor)	€ 696	pcs
FS29-42	Rain Sensor (ONDEIS) (for single motor)	€ 574	pcs
FS29-4S3	Rain Sensor (ONDEIS) (for synchronized motor)	€ 938	pcs
FS30	CONNEXOON	€ 525	pcs

## EXTENSIONS

Rail	Plus - 120x150mm	€ 337	lm
Beam	Al. 42x150mm	€ 105	lm
Beam	Al. 50x150mm	€ 186	lm
Beam	Al. 100x150mm	€ 155	lm
Beam	St. 100x150x3mm	€ 320	lm
Beam	St. 100x150x5mm	€ 388	lm
Beam	St. 100x200x3mm	€ 325	lm
Beam	St. 100x200x5mm	€ 462	lm
Fabric protection cover	Al. - 63x__cm	€ 60	m <sup>2</sup>
Gutter	Special Profile	€ 45	lm

## PRICE DIFFERENCE

		BEAM GROUP	
Standard	Al. 42x150mm		
Back Beam to	Al. 50x150mm	€ 81	lm
	St. 5+0x150x3mm	€ 104	lm
	St. 50x150x5mm	€ 192	lm
	Al. 100x150mm	€ 48	lm
	St. 100x150x3mm	€ 210	lm
	St. 100x150x5mm	€ 285	lm
	St. 100x200x3mm	€ 215	lm
	St. 100x200x5mm	€ 359	lm



### MINIMUM "A" VALUES

B (cm)	250	300	350	400	450	500	550	600
A (cm)	50	50	50	60	70	80	90	100

Upper values will be evaluated on a project basis.

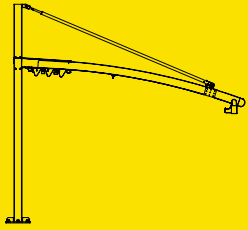
#### Notes:

1. Fabric support profiles can be painted in the same color as the general construction. No fee is paid for this process. However, the plastic color should be specified from our standard plastic colours in Palmiye Color Chart.
2. For one product, a dry contact transmitter costing 368€, must be added.
3. Up to 5 products, a RS485 Automation interface dry contact transmitter costing 1126€, must be added.

# CORAL

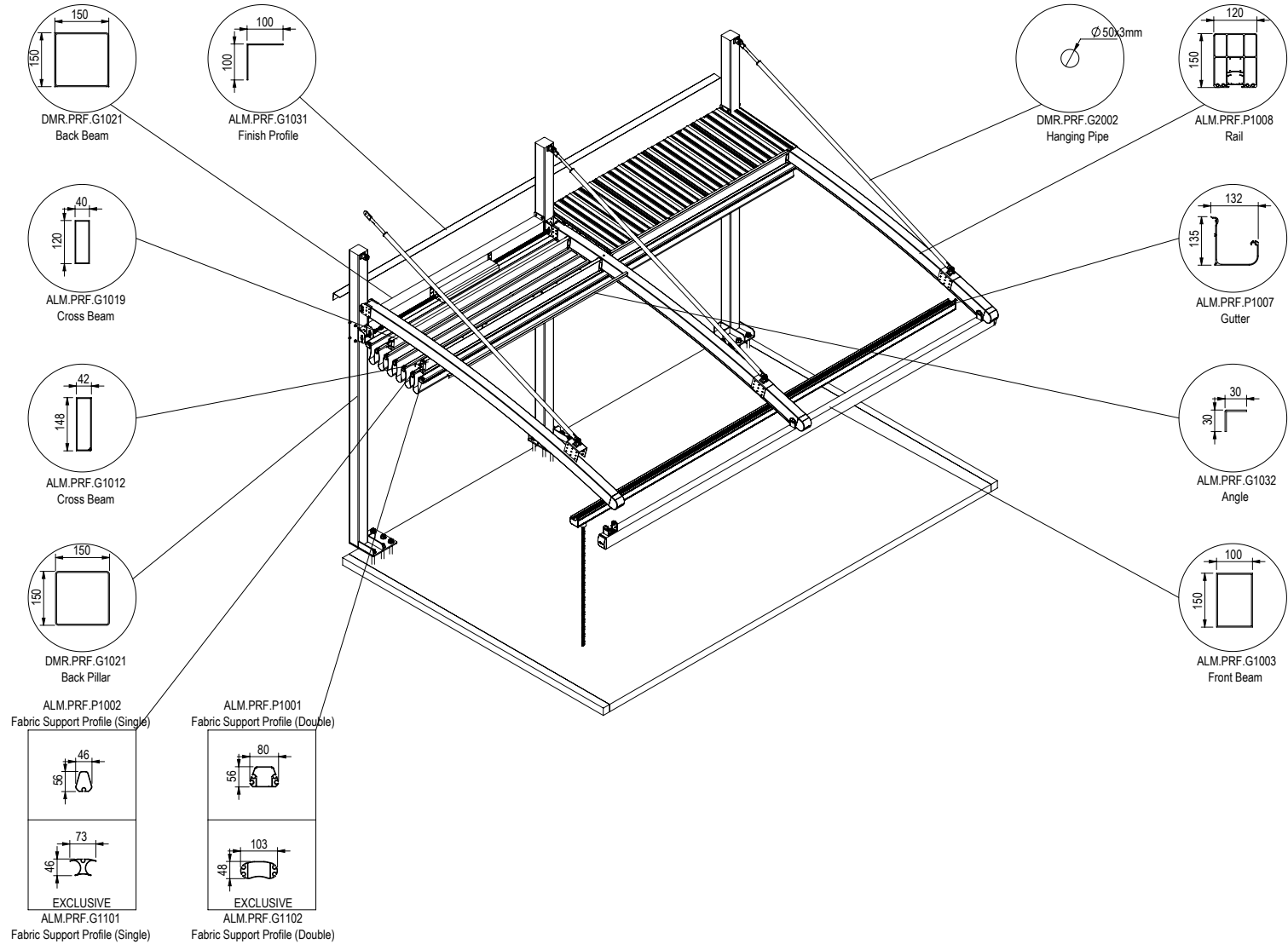
## Hanging

### Freestanding



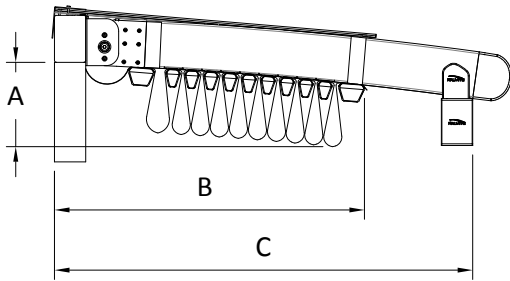
### MAXIMUM DIMENSIONS

	WIDTH	PROJECTION
2 RAILS	400 cm	600 cm
3 RAILS	800 cm	600 cm
4 RAILS	1200 cm	600 cm
5 RAILS	1300 cm	600 cm



# TECHNICAL FEATURES

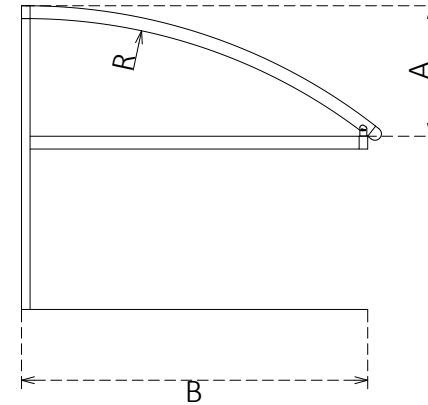
## COLLECTED FABRIC DIMENSIONS



## RADIUS CHART

RADIUS	850	1500	2850
B	A		
250	63		
300	83		
350	107		
400	135	82	
450	168	98	
500		116	
550		137	
600		160	93

\*The values are approx. ± 5 cm



## TILTED VERSION Projection cm

No of Fabric Support Profiles	200	250	300	350	400	450	500	550	600	C
5	31									73
6		32								79
7			33							86
9				35						99
10					36					105
11						37				112
13							39			125
14								40		131
15									41	138



\*Calculated according to a slope of 15%

## DRAINAGE CALCULATION

Type	Max. m <sup>2</sup>
Full	39 m <sup>2</sup> /pc

\* per drainage

There should be at least one drainage, each 8 m length gutter.

## WIND RESISTANCE

PROJECTION (cm)	WIDTH																	
	450	500	550	600	650	700	750	800	850	900	950	1000	1050	1100	1150	1200	1250	1300
400	10	10	10	9	9	9	9	8	8	8	9	9	9	9	8	8	8	8
450	9	9	9	8	8	8	8	7	7	7	8	8	8	8	7	7	7	7
500	8	8	8	8	8	7	7	7	7	6	8	7	7	7	7	7	7	6
550	8	8	7	7	7	7	6	6	6	6	7	7	7	6	6	6	6	6
600	7	7	7	6	6	6	6	6	6	5	5	6	6	6	6	6	5	5

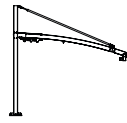
All sides open

\*The values are given according to the Beaufort scale.

\*\*Calculated for Products with a front height of 250 cm according to Eurocode EN 1991-1-4 Terrain Category 4.

\*\*\* You can ask for new calculations for special designs.

# CORAL Hanging Freestanding



Projection	2 RAILS				3 RAILS								4 RAILS								5 RAILS		FS4	FS9	FS9-S
	250 cm	300 cm	350 cm	400 cm	450 cm	500 cm	550 cm	600 cm	650 cm	700 cm	750 cm	800 cm	850 cm	900 cm	950 cm	1000 cm	1050 cm	1100 cm	1150 cm	1200 cm	1250 cm	1300 cm			
200 cm	€ 9.814	€ 10.229	€ 11.028	€ 11.449	€ 13.984	€ 14.398	€ 14.819	€ 15.232	€ 16.033	€ 16.452	€ 16.942	€ 17.355	€ 19.528	€ 19.932	€ 20.714	€ 21.116	€ 21.515	€ 21.917	€ 22.314	€ 22.716	€ 25.747	€ 26.374	€ 1.185	€ 242	€ 322
250 cm	€ 10.263	€ 10.901	€ 11.505	€ 11.937	€ 14.662	€ 15.088	€ 15.739	€ 16.164	€ 16.768	€ 17.195	€ 17.700	€ 18.345	€ 20.701	€ 21.122	€ 21.704	€ 22.117	€ 22.752	€ 23.165	€ 23.578	€ 23.994	€ 27.214	€ 27.852	€ 1.308	€ 292	€ 402
300 cm	€ 10.957	€ 11.669	€ 12.337	€ 12.831	€ 15.805	€ 16.300	€ 17.013	€ 17.509	€ 18.175	€ 18.671	€ 19.239	€ 19.954	€ 22.559	€ 23.036	€ 23.693	€ 24.170	€ 24.866	€ 25.343	€ 25.827	€ 26.310	€ 29.771	€ 30.480	€ 1.432	€ 343	€ 483
350 cm	€ 11.634	€ 12.147	€ 12.826	€ 13.552	€ 16.719	€ 17.226	€ 17.737	€ 18.463	€ 19.148	€ 19.655	€ 20.240	€ 20.966	€ 23.765	€ 24.261	€ 25.135	€ 25.636	€ 26.132	€ 26.626	€ 27.333	€ 27.829	€ 31.487	€ 31.998	€ 1.555	€ 393	€ 563
400 cm	€ 12.100	€ 12.624	€ 13.320	€ 14.057	€ 17.421	€ 17.945	€ 18.474	€ 19.209	€ 19.907	€ 20.431	€ 21.028	€ 21.765	€ 24.766	€ 25.273	€ 26.166	€ 26.676	€ 27.189	€ 27.696	€ 28.422	€ 28.927	€ 32.787	€ 33.311	€ 1.678	€ 443	€ 644
450 cm	€ 12.717	€ 13.285	€ 14.022	€ 14.804	€ 18.391	€ 18.959	€ 19.528	€ 20.304	€ 21.047	€ 21.610	€ 22.253	€ 23.035	€ 26.254	€ 26.805	€ 27.742	€ 28.294	€ 28.846	€ 29.398	€ 30.163	€ 30.715	€ 34.797	€ 35.360	€ 1.801	€ 493	€ 724
500 cm	€ 13.186	€ 13.766	€ 14.520	€ 15.313	€ 19.102	€ 19.682	€ 20.263	€ 21.056	€ 21.808	€ 22.390	€ 23.045	€ 23.838	€ 27.264	€ 27.827	€ 28.777	€ 29.346	€ 29.909	€ 30.472	€ 31.254	€ 31.822	€ 36.101	€ 36.681	€ 1.924	€ 543	€ 805
550 cm	€ 13.656	€ 14.247	€ 15.017	€ 15.822	€ 19.813	€ 20.404	€ 20.999	€ 21.808	€ 22.570	€ 23.170	€ 23.836	€ 24.640	€ 28.274	€ 28.848	€ 29.812	€ 30.397	€ 30.971	€ 31.545	€ 32.344	€ 32.930	€ 37.405	€ 38.002	€ 2.047	€ 593	€ 885
600 cm	€ 14.125	€ 14.728	€ 15.515	€ 16.331	€ 20.524	€ 21.126	€ 21.734	€ 22.561	€ 23.331	€ 23.950	€ 24.627	€ 25.443	€ 29.284	€ 29.870	€ 30.846	€ 31.448	€ 32.034	€ 32.619	€ 33.435	€ 34.037	€ 38.709	€ 39.323	€ 2.170	€ 643	€ 966
FS3	€ 241	€ 252	€ 275	€ 302	€ 327	€ 352	€ 377	€ 402	€ 427	€ 452	€ 581	€ 606	€ 631	€ 656	€ 683	€ 708	€ 733	€ 758	€ 783	€ 808	€ 833	€ 858			
FS5-A	€ 44	€ 56	€ 65	€ 75	€ 87	€ 96	€ 108	€ 117	€ 129	€ 139	€ 150	€ 160	€ 171	€ 181	€ 192	€ 202	€ 214	€ 223	€ 235	€ 244	€ 256	€ 266			
FS3-E	€ 61	€ 77	€ 90	€ 103	€ 119	€ 132	€ 148	€ 162	€ 178	€ 191	€ 207	€ 220	€ 236	€ 249	€ 265	€ 278	€ 294	€ 307	€ 323	€ 336	€ 352	€ 366			

FS3	Gutter System
FS5-A	Additional Fabric Support Profile (Standard)
FS5-E	Additional Fabric Support Profile (3 Axis)
FS4	Additional Rail - Al.Plus- 120x150mm
FS8	Lighting System
FS9	Side Beam - Al.- 50x150mm
FS9-S	Side Beam - Al.- 100x150mm (Special)

FS8	
FS8-S	SPOT
FS8-L	LINEAR
FS8-LR (RGB)	LINEAR (RGB)

LED TYPE & MODULE		
2 LED	3 LED	4 LED
€ 136	€ 165	€ 194
€ 194	€ 252	
€ 247	€ 320	

### Notes:

- Any Side Beam is not included in the price.
- FS Flexy Plain/3D or Stam 6002 is included in the price.
- Motor and Remote control is included in the price.
- Palmye Aluminium Coating Catalogue includes the standard colours with no extra cost. For any other type/brand/colour of paint, price difference and additional delivery duration shall be checked from your customer representative.
- Standard fabric support profile plastic colours are specified in Palmye Aluminium Coating Catalogue.
- In pergolas including steel front pillars, if gutter option is preferred, external water drainage points will be specified according to the Project and will be priced additionally.

### DEDUCTIONS

Price deduction is applicable only for back pillars and back beam. Deduction amount shall be consider as 70% of related option price.

## OPTIONS

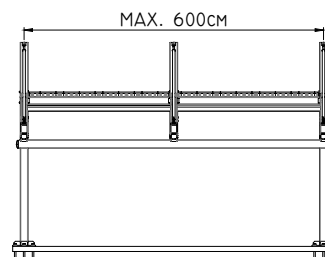
FS10-150ST3	Extra pillar (150x150x3mm St.)	€ 980	pcs
FS10-150ST5	Extra pillar (150x150x5mm St.)	€ 1.370	pcs
FS10-150ST5-H	Extra Half pillar (150x150x5mm St.)	€ 165	pcs
FS11	Deco ceiling cover	€ 72	m <sup>2</sup>
FS15	Side beam pillar (50x100mm - Al)	€ 284	pcs
FS15-B	Side beam pillar (100x100mm - Al)	€ 548	pcs
FS19	Fix louver	€ 75	lm
FS24	W96 Ceiling Cover	€ 84	m <sup>2</sup>
FS26	Exclusive fabric difference (up to 800cm width)	€ 49	m <sup>2</sup>
FS28-1	Stainless steel chain - 100 cm	€ 79	1m
FS28-2	Stainless steel chain - 200 cm	€ 153	2m
FS28-3	Stainless steel chain - 300 cm	€ 224	3m
FS28-4	Stainless steel chain - 400 cm	€ 298	4m
FS29-1	Sun Sensor (SUNIS) (for single motor)	€ 621	pcs
FS29-1S	Sun Sensor (SUNIS) (for synchronized motor)	€ 990	pcs
FS29-2	Wind Sensor (EOLIS RTS) (for single motor)	€ 293	pcs
FS29-2S	Wind Sensor (EOLIS RTS) (for synchronized motor)	€ 658	pcs
FS29-3	Sun and Wind Sensor (SOLIRIS RTS) (for single motor)	€ 331	pcs
FS29-3S	Sun and Wind Sensor (SOLIRIS RTS) (for synchronized motor)	€ 696	pcs
FS29-42	Rain Sensor (ONDEIS) (for single motor)	€ 574	pcs
FS29-4S3	Rain Sensor (ONDEIS) (for synchronized motor)	€ 938	pcs
FS30	CONNEXOON	€ 525	pcs

### Notes:

1. Fabric support profiles can be painted in the same color as the general construction. No fee is paid for this process. However, the plastic color should be specified from our standard plastic colours in Palmiye Color Chart.
2. For one product, a dry contact transmitter costing 368€, must be added.
3. Up to 5 products, a RS485 Automation interface dry contact transmitter costing 1126€, must be added.

## EXTENSIONS

Rail	Plus - 120x150mm	€ 337	lm
Beam	Al. 42x150mm	€ 105	lm
Beam	Al. 50x150mm	€ 186	lm
Beam	Al. 100x150mm	€ 155	lm
Beam	St. 100x150x3mm	€ 320	lm
Beam	St. 100x150x5mm	€ 388	lm
Beam	St. 100x200x3mm	€ 325	lm
Beam	St. 100x200x5mm	€ 462	lm
Fabric protection cover	Al. - 63x__cm	€ 60	m <sup>2</sup>
Gutter	Special Profile	€ 45	lm

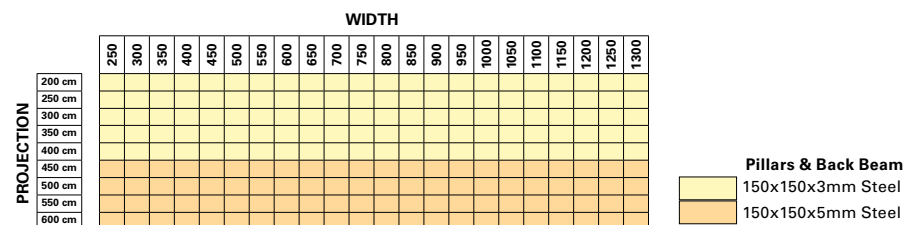


- The front beam can not be produced in steel.
- Ground flanges are 380x380x15 mm.
- When pillar reduction is applied, half pillar must be installed at the back of each rail shaft, and steel back pillars and back beam should be 150x150 mm.
- In condition of adding an additional rail, a steel 150x150 mm back pillar should also be added.

## PRICE DIFFERENCE

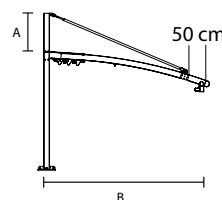
Pillar	PILLAR GROUP		
	Standard	St. 150x150x3mm	
	to	St. 150x150x5mm	€ 535 pcs

## STANDARD CONSTRUCTION



\* In case of reducing middle pillars, distance between the pillars can be maximum 600 cm.

\*\* Steel with a wall thickness of 5 mm must be used in all cases where the pillar is reduced.



## MINIMUM "A" VALUES

B (cm)	250	300	350	400	450	500	550	600
A (cm)	50	50	50	60	70	80	90	100

Upper values will be evaluated on a project basis.

- Max. pillar length: 480 cm

# CORAL

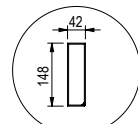
## Hanging

### Wall / Ceiling with Buttress

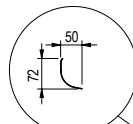


#### MAXIMUM DIMENSIONS

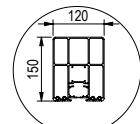
	WIDTH	PROJECTION
2 RAILS	400 cm	400 cm



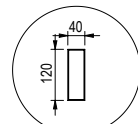
ALM.PRF.G1012  
Back Beam



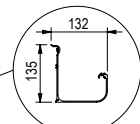
ALM.PRF.G1011  
Wall Finish



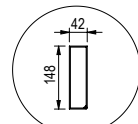
ALM.PRF.P1008  
Rail



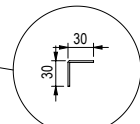
ALM.PRF.G1019  
Cross Beam



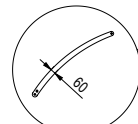
ALM.PRF.P1007  
Gutter



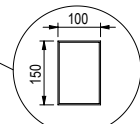
ALM.PRF.G1012  
Cross Beam



ALM.PRF.G1032  
Angle

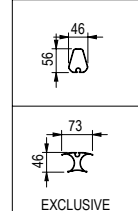


DMR.APR.P1125  
Rail Support Steel



ALM.PRF.G1003  
Front Beam

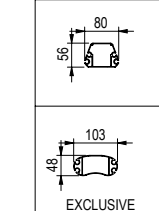
ALM.PRF.P1002  
Fabric Support Profile (Single)



EXCLUSIVE  
ALM.PRF.G1101

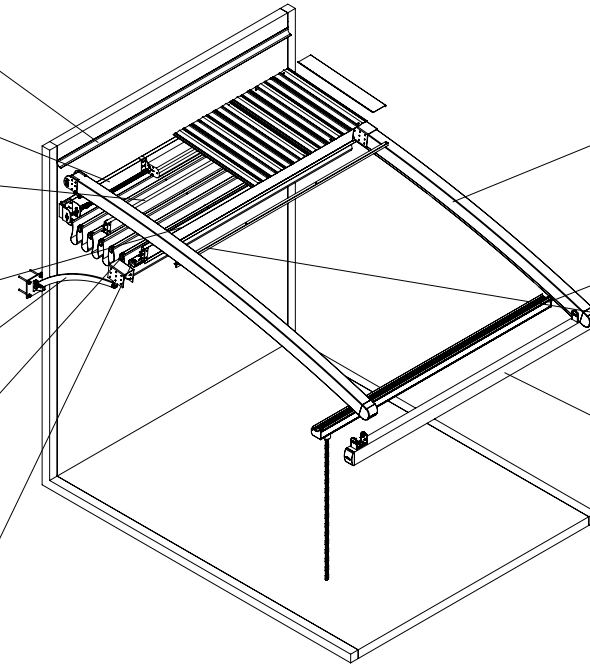
Fabric Support Profile (Single)

ALM.PRF.P1001  
Fabric Support Profile (Double)



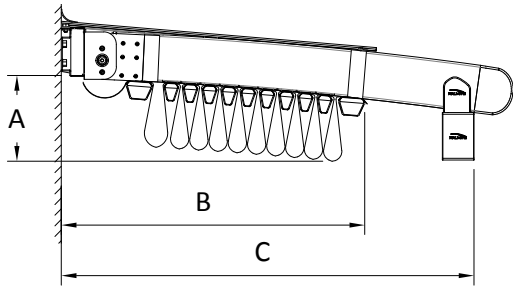
EXCLUSIVE  
ALM.PRF.G1102

Fabric Support Profile (Double)



# TECHNICAL FEATURES

## COLLECTED FABRIC DIMENSIONS



No of Fabric Support Profiles	Projection cm					C
	200	250	300	350	400	
5	30					68
6		31				74
7			32			81
9				34		94
10					35	100

← A → B

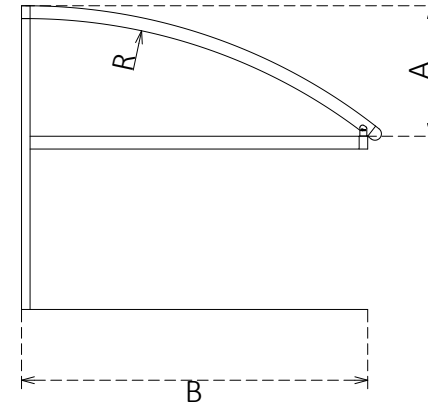
\*Calculated according to a slope of 15%

## RADIUS CHART

RADIUS	R850	R1500
--------	------	-------

Projection	A		B
250	63		
300	83		
350	107		
400	135	82	

\*The values are approx. ± 5 cm



## WIND RESISTANCE

PROJECTION ( cm )	WIDTH ( cm )			
	250	300	350	400
200	11	11	11	11
250	11	11	11	11
300	11	11	11	11
350	11	11	10	10
400	10	10	10	9

All sides open

\*The values are given according to the Beaufort scale.

\*\*Calculated for Products with a front height of 250 cm according to Eurocode EN 1991-1-4 Terrain Category 4.

\*\*\* You can ask for new calculations for special designs.

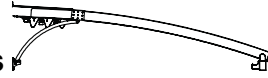
## DRAINAGE CALCULATION

Type	Max. m <sup>2</sup>
Full	39 m <sup>2</sup> /pc

\* per drainage

There should be at least one drainage, each 8 m length gutter.

# CORAL Hanging Wall / Ceiling with Buttress



Projection	Width			
	2 RAILS			
	250 cm	300 cm	350 cm	400 cm
200 cm	€ 8.368	€ 8.783	€ 9.582	€ 10.003
250 cm	€ 8.817	€ 9.455	€ 10.059	€ 10.492
300 cm	€ 9.511	€ 10.224	€ 10.892	€ 11.386
350 cm	€ 10.188	€ 10.701	€ 11.380	€ 12.106
400 cm	€ 10.654	€ 11.178	€ 11.874	€ 12.611

FS3	€ 241	€ 252	€ 275	€ 302
FS5-A	€ 44	€ 56	€ 65	€ 75
FS5-E	€ 61	€ 77	€ 90	€ 103

FS3	Gutter System
FS5-A	Additional Fabric Support Profile (Standard)
FS5-E	Additional Fabric Support Profile (3 Axis)
FS8	Lighting System

FS8	
FS8-S	SPOT
FS8-L	LINEAR
FS8-LR (RGB)	LINEAR (RGB)

LEDTYPE & MODULE		
2 LED	3 LED	4 LED
€ 136	€ 165	€ 194
€ 194	€ 252	
€ 247	€ 320	

## Notes:

1. Any Side Beam is not included in the price.
2. Modules can not be combined.
3. FS Flexy Plain/3D or Stam 6002 is included in the price.
4. Motor and Remote control is included in the price.
5. Palmiye Aluminium Coating Catalogue includes the standard colours with no extra cost. For any other type/brand/color of paint, price difference and additional delivery duration shall be checked from your customer representative.
6. Standard fabric support profile plastic colours are specified in Palmiye Aluminium Coating Catalogue.

## OPTIONS

FS11	Deco ceiling cover	€ 72	m <sup>2</sup>
FS19	Fix louver	€ 75	1m
FS24	W96 Ceiling Cover	€ 84	m <sup>2</sup>
FS26	Exclusive fabric difference (up to 800cm width)	€ 49	m <sup>2</sup>
FS28-1	Stainless steel chain - 100 cm	€ 79	1m
FS28-2	Stainless steel chain - 200 cm	€ 153	2m
FS28-3	Stainless steel chain - 300 cm	€ 224	3m
FS28-4	Stainless steel chain - 400 cm	€ 298	4m
FS29-1	Sun Sensor (SUNIS) (for single motor)	€ 621	pcs
FS29-2	Wind Sensor (EOLIS RTS) (for single motor)	€ 293	pcs
FS29-3	Sun and Wind Sensor (SOLIRIS RTS) (for single motor)	€ 331	pcs
FS29-42	Rain Sensor (ONDEIS) (for single motor)	€ 574	pcs
FS30	CONNEXOON	€ 525	pcs

### Notes:

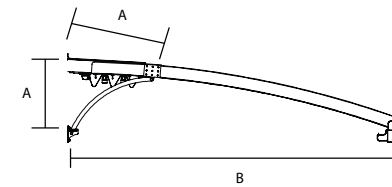
1. Fabric support profiles can be painted in the same color as the general construction. No fee is paid for this process. However, the plastic color should be specified from our standard plastic colours in Palmiye Color Chart.
2. For one product, a dry contact transmitter costing 368€, must be added.
3. Up to 5 products, a RS485 Automation interface dry contact transmitter costing 1126€, must be added.

## EXTENSIONS

Rail	Plus - 120x150mm	€ 337	1m
Beam	Al. 42x150mm	€ 105	1m
Beam	Al. 50x150mm	€ 186	1m
Beam	Al. 100x150mm	€ 155	1m
Beam	St. 100x150x3mm	€ 320	1m
Beam	St. 100x150x5mm	€ 388	1m
Beam	St. 100x200x3mm	€ 325	1m
Beam	St. 100x200x5mm	€ 462	1m
Fabric protection cover	Al. - 63x___cm	€ 60	m <sup>2</sup>
Gutter	Special Profile	€ 45	1m

## PRICE DIFFERENCE

		BEAM GROUP	
Standard	Al. 42x150mm		
Back Beam  to	Al. 50x150mm	€ 81	1m
	St. 50x150x3mm	€ 104	1m
	St. 50x150x5mm	€ 192	1m
	Al. 100x150mm	€ 48	1m
	St. 100x150x3mm	€ 210	1m
	St. 100x150x5mm	€ 285	1m
	St. 100x200x3mm	€ 215	1m
	St. 100x200x5mm	€ 359	1m



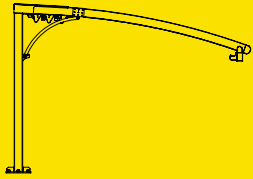
### STANDARD "A" VALUES

<b>B (cm)</b>	250	300	350	400
<b>A (cm)</b>	70	80	90	100

# CORAL

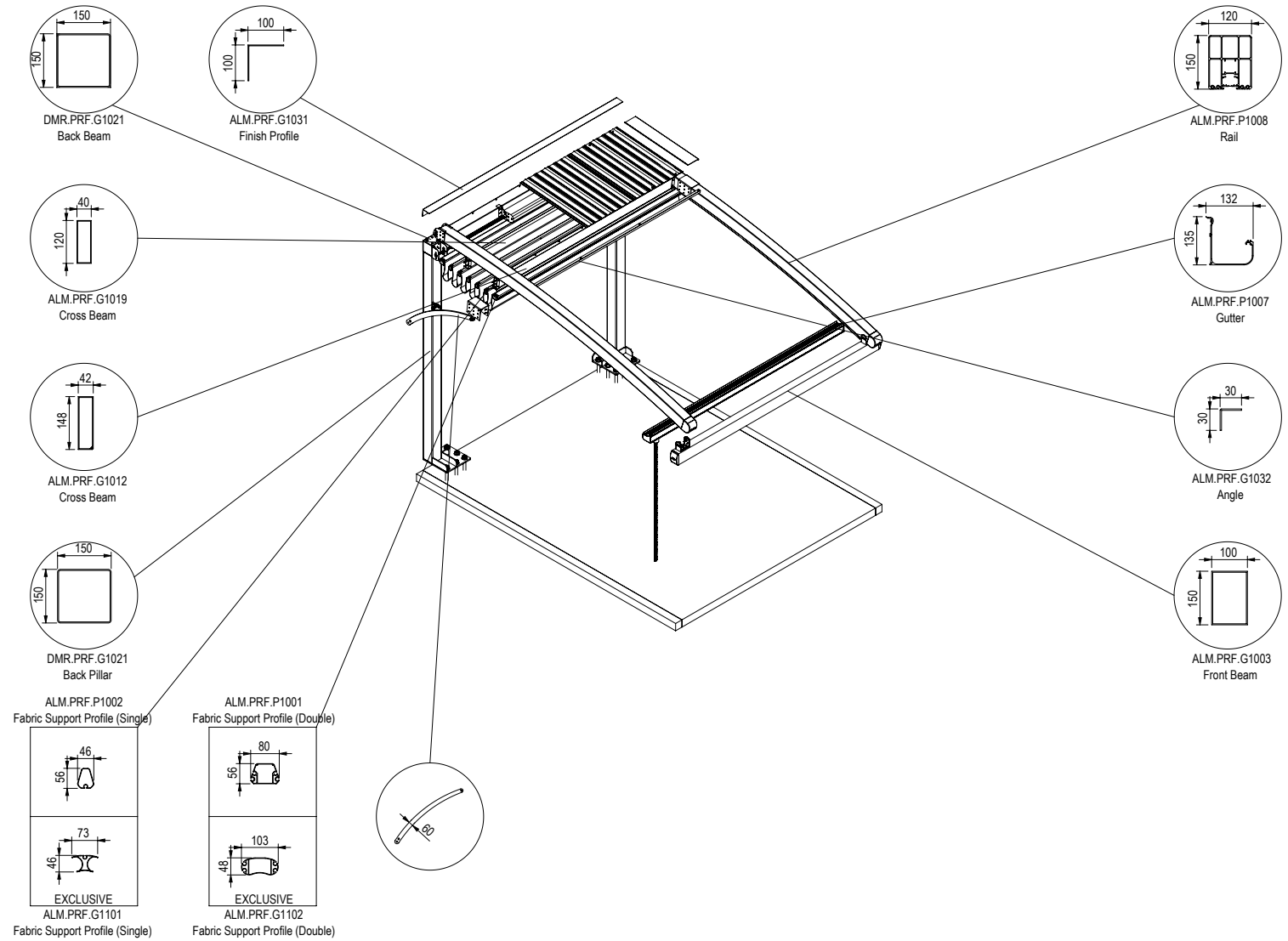
## Hanging

### Freestanding with Buttress



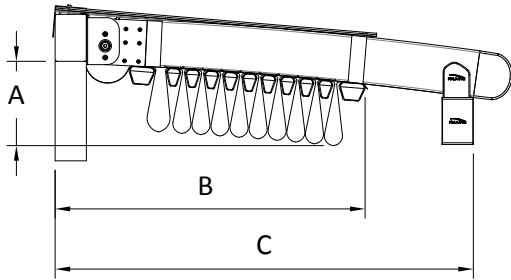
#### MAXIMUM DIMENSIONS

	WIDTH	PROJECTION
2 RAILS	400 cm	400 cm



# TECHNICAL FEATURES

## COLLECTED FABRIC DIMENSIONS



No of Fabric Support Profiles	Projection cm					C
	200	250	300	350	400	
5	31					73
6		32				79
7			33			86
9				35		99
10					36	105

← A → B

\*Calculated according to a slope of 15%

## DRAINAGE CALCULATION

Type	Max. m <sup>2</sup>
Full	39 m <sup>2</sup> /pc

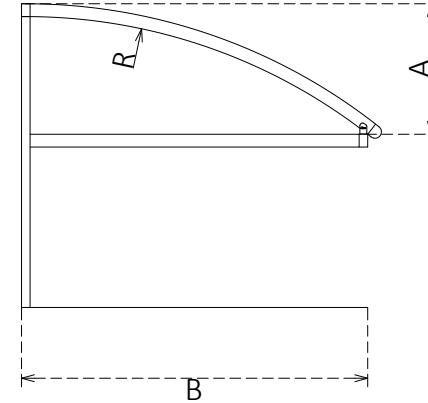
\* per drainage

There should be at least one drainage, each 8 m length gutter.

## RADIUS CHART

RADIUS	850	1500
B	A	
250	63	
300	83	
350	107	
400	135	82

\*The values are approx. ± 5 cm



## WIND RESISTANCE

PROJECTION ( cm )	WIDTH ( cm )			
	250	300	350	400
200	11	11	11	11
250	11	11	11	11
300	11	11	11	11
350	11	11	10	10
400	10	10	10	9

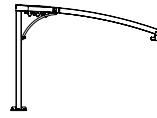
All sides open

\*The values are given according to the Beaufort scale.

\*\*Calculated for Products with a front height of 250 cm according to Eurocode EN 1991-1-4 Terrain Category 4.

\*\*\* You can ask for new calculations for special designs.

# CORAL Hanging Freestanding with Buttress



Projection	Width			
	2 RAILS			
	250 cm	300 cm	350 cm	400 cm
200 cm	€ 9.814	€ 10.229	€ 11.028	€ 11.449
250 cm	€ 10.263	€ 10.901	€ 11.505	€ 11.937
300 cm	€ 10.957	€ 11.669	€ 12.337	€ 12.831
350 cm	€ 11.634	€ 12.147	€ 12.826	€ 13.552
400 cm	€ 12.100	€ 12.624	€ 13.320	€ 14.057
FS3	€ 241	€ 252	€ 275	€ 302
FS5	€ 44	€ 56	€ 65	€ 75
FS5-B	€ 61	€ 77	€ 90	€ 103

FS3	Gutter System
FS5-A	Additional Fabric Support Profile (Standard)
FS5-E	Additional Fabric Support Profile (3 Axis)
FS8	Lighting System

FS8	
FS8-S	SPOT
FS8-L	LINEAR
FS8-LR (RGB)	LINEAR (RGB)

LEDTYPE & MODULE		
2 LED	3 LED	4 LED
€ 136	€ 165	€ 194
€ 194	€ 252	
€ 247	€ 320	

## Notes:

- Any Side Beam is not included in the price.
- Modules can not be combined.
- FS Flexy Plain/3D or Stam 6002 is included in the price.
- Motor and Remote control is included in the price.
- Palmye Aluminium Coating Catalogue includes the standard colours with no extra cost. For any other type/brand/color of paint, price difference and additional delivery duration shall be checked from your customer representative.
- Standard fabric support profile plastic colours are specified in Palmye Aluminium Coating Catalogue.
- In pergolas including steel front pillars, if gutter option is preferred, external water drainage points will be specified according to the Project and will be priced additionally.

## DEDUCTIONS

Price deduction is applicable only for back pillars and back beam. Deduction amount shall be consider as 70% of related option price.

## OPTIONS

FS11	Deco ceiling cover	€ 72	m <sup>2</sup>
FS19	Fix louver	€ 75	1m
FS24	W96 Ceiling Cover	€ 84	m <sup>2</sup>
FS26	Exclusive fabric difference (up to 800cm width)	€ 49	m <sup>2</sup>
FS28-1	Stainless steel chain - 100 cm	€ 79	1m
FS28-2	Stainless steel chain - 200 cm	€ 153	2m
FS28-3	Stainless steel chain - 300 cm	€ 224	3m
FS28-4	Stainless steel chain - 400 cm	€ 298	4m
FS29-1	Sun Sensor (SUNIS) (for single motor)	€ 621	pcs
FS29-2	Wind Sensor (EOLIS RTS) (for single motor)	€ 293	pcs
FS29-3	Sun and Wind Sensor (SOLIRIS RTS) (for single motor)	€ 331	pcs
FS29-42	Rain Sensor (ONDEIS) (for single motor)	€ 574	pcs
FS30	CONNEXOON	€ 525	pcs

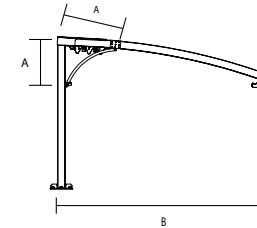
### Notes:

1. Fabric support profiles can be painted in the same color as the general construction. No fee is paid for this process. However, the plastic color should be specified from our standard plastic colours in Palmiye Color Chart.
2. For one product, a dry contact transmitter costing 368€, must be added.
3. Up to 5 products, a RS485 Automation interface dry contact transmitter costing 1126€, must be added.

## EXTENSIONS

Rail	Plus - 120x150mm	€ 337	1m
Beam	Al. 42x150mm	€ 105	1m
Beam	Al. 50x150mm	€ 186	1m
Beam	Al. 100x150mm	€ 155	1m
Beam	St. 100x150x3mm	€ 320	1m
Beam	St. 100x150x5mm	€ 388	1m
Beam	St. 100x200x3mm	€ 325	1m
Beam	St. 100x200x5mm	€ 462	1m
Fabric protection cover	Al. - 63x__cm	€ 60	m <sup>2</sup>
Gutter	Special Profile	€ 45	1m

- This model includes 3m steel back beam and pillars.
- The front beam can not be produced in steel.
- Ground flanges are 380x380x15 mm.



### STANDARD "A" VALUES

<b>B (cm)</b>	250	300	350	400
<b>A (cm)</b>	70	80	90	100

- Max. pillar length: 480 cm

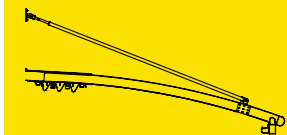
## PRICE DIFFERENCE

BEAM GROUP			
Pillar	Standart:	St. 150x150x3mm	
	to	St. 150x150x5mm	€ 535 pcs

# CORAL

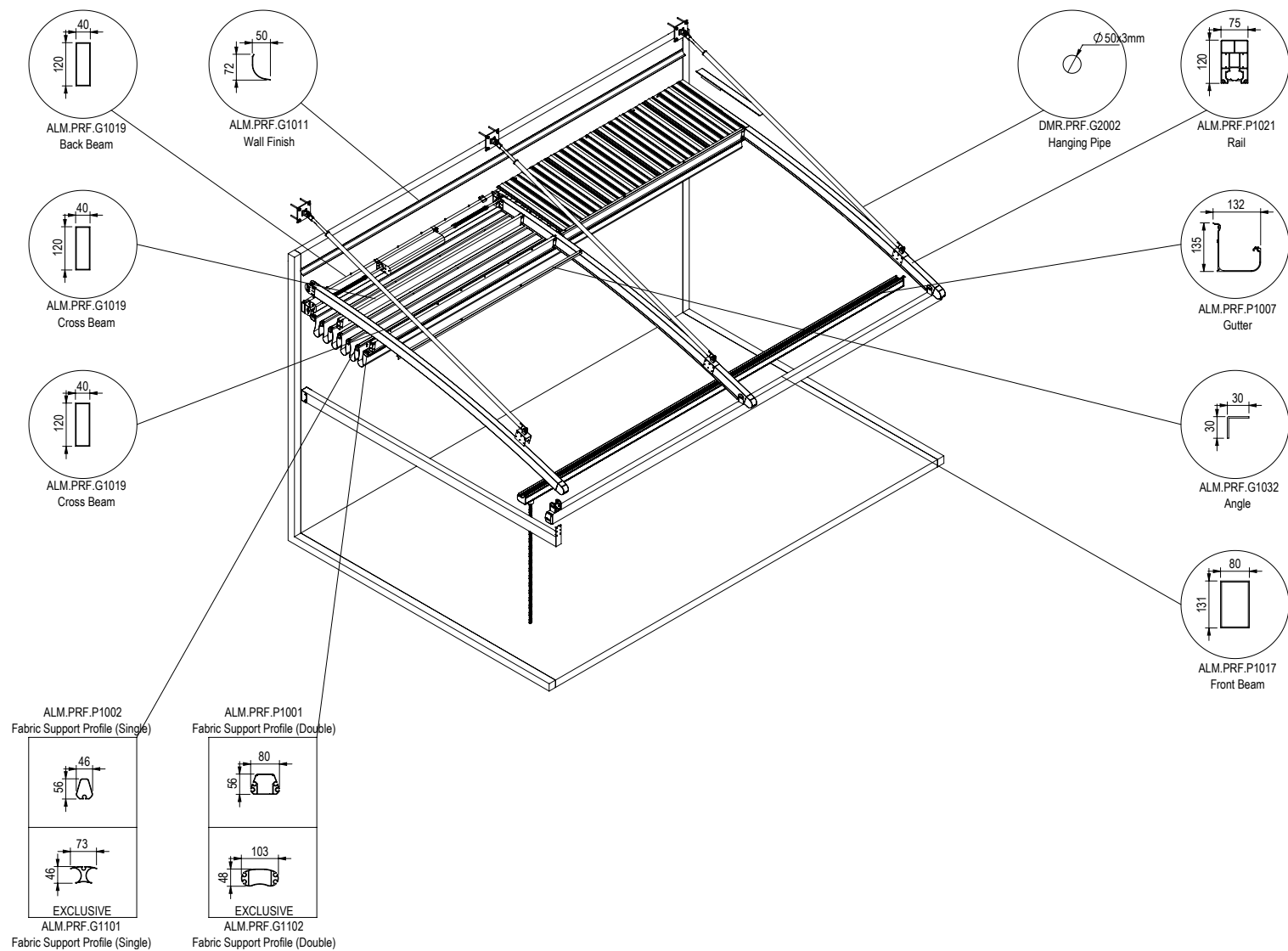
## Compact Hanging

### Wall / Ceiling



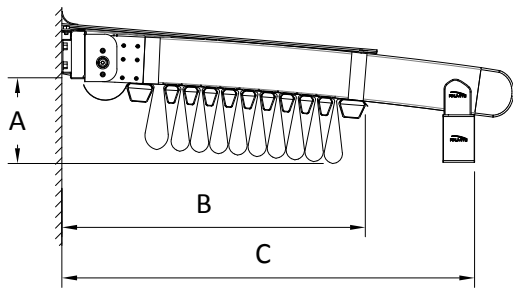
#### MAXIMUM DIMENSIONS

	WIDTH	PROJECTION
2 RAILS	400 cm	600 cm
3 RAILS	800 cm	600 cm
4 RAILS	1200 cm	600 cm
5 RAILS	1300 cm	600 cm



# TECHNICAL FEATURES

## COLLECTED FABRIC DIMENSIONS

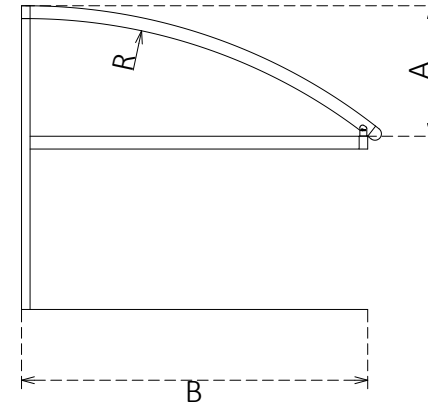


## RADIUS CHART

RADIUS	850	1500	2850
--------	-----	------	------

Projection	A			B
300	83			
350	107			
400	135	82		
450		98		
500		116		
550		137		
600		160	93	

\*The values are approx. ± 5 cm



## TILTED VERSION

Projection cm

No of Fabric Support Profiles	200	250	300	350	400	450	500	550	600	C
	5	30								
6		31								74
7			32							81
9				34						94
10					35					100
11						36				107
13							38			120
14								39		126
15									40	133

\*Calculated according to a slope of 15%

## WIND RESISTANCE

PROJECTION (cm)	WIDTH (cm)																	
	450	500	550	600	650	700	750	800	850	900	950	1000	1050	1100	1150	1200	1250	1300
400	10	10	10	9	9	9	8	8	8	7	9	9	9	8	8	8	8	7
450	10	9	8	8	8	8	7	7	7	7	8	8	8	7	7	7	7	7
500	9	8	7	7	7	7	6	6	6	6	7	7	7	6	6	6	6	6
550	8	7	7	7	7	6	6	6	6	6	7	6	6	6	6	6	6	6
600	7	6	6	6	6	5	5	5	5	5	6	5	5	5	5	5	5	5

\*The values are given according to the Beaufort scale.

\*\*Calculated for Products with a front height of 250 cm according to Eurocode EN 1991-1-4 Terrain Category 4.

\*\*\* You can ask for new calculations for special designs.

All sides open

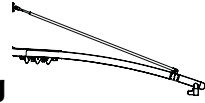
## DRAINAGE CALCULATION

Type	Max. m <sup>2</sup>
Compact	30 m <sup>2</sup> /pc

\* per drainage

There should be at least one drainage, each 8 m length gutter.

# CORAL Compact Hanging Wall / Ceiling



Projection	2 RAILS				3 RAILS								4 RAILS								5 RAILS		FS4	FS9-C
	250 cm	300 cm	350 cm	400 cm	450 cm	500 cm	550 cm	600 cm	650 cm	700 cm	750 cm	800 cm	850 cm	900 cm	950 cm	1000 cm	1050 cm	1100 cm	1150 cm	1200 cm	1250 cm	1300 cm		
200 cm	€ 6.780	€ 7.115	€ 7.760	€ 8.097	€ 9.562	€ 9.893	€ 10.231	€ 10.563	€ 11.206	€ 11.541	€ 11.934	€ 12.263	€ 13.431	€ 13.752	€ 14.379	€ 14.699	€ 15.015	€ 15.335	€ 15.649	€ 15.969	€ 17.823	€ 18.323	€ 950	€ 194
250 cm	€ 7.137	€ 7.652	€ 8.138	€ 8.484	€ 10.101	€ 10.441	€ 10.965	€ 11.303	€ 11.788	€ 12.128	€ 12.533	€ 13.051	€ 14.362	€ 14.697	€ 15.163	€ 15.490	€ 15.997	€ 16.325	€ 16.652	€ 16.981	€ 18.985	€ 19.492	€ 1.049	€ 234
300 cm	€ 7.691	€ 8.265	€ 8.802	€ 9.199	€ 11.013	€ 11.410	€ 11.983	€ 12.379	€ 12.912	€ 13.307	€ 13.762	€ 14.334	€ 15.846	€ 16.226	€ 16.748	€ 17.127	€ 17.681	€ 18.061	€ 18.444	€ 18.826	€ 21.022	€ 21.585	€ 1.148	€ 275
350 cm	€ 8.232	€ 8.641	€ 9.188	€ 9.771	€ 11.741	€ 12.145	€ 12.553	€ 13.135	€ 13.683	€ 14.087	€ 14.555	€ 15.135	€ 16.802	€ 17.195	€ 17.892	€ 18.289	€ 18.682	€ 19.073	€ 19.636	€ 20.027	€ 22.379	€ 22.781	€ 1.247	€ 314
400 cm	€ 8.598	€ 9.019	€ 9.577	€ 10.168	€ 12.295	€ 12.712	€ 13.135	€ 13.722	€ 14.280	€ 14.697	€ 15.174	€ 15.762	€ 17.589	€ 17.992	€ 18.703	€ 19.107	€ 19.513	€ 19.913	€ 20.489	€ 20.890	€ 23.398	€ 23.812	€ 1.344	€ 355
450 cm	€ 8.974	€ 9.408	€ 9.975	€ 10.579	€ 12.860	€ 13.292	€ 13.722	€ 14.321	€ 14.892	€ 15.316	€ 15.807	€ 16.407	€ 18.384	€ 18.800	€ 19.524	€ 19.937	€ 20.353	€ 20.766	€ 21.350	€ 21.763	€ 24.425	€ 24.846	€ 1.444	€ 395
500 cm	€ 9.345	€ 9.786	€ 10.366	€ 10.980	€ 13.419	€ 13.859	€ 14.301	€ 14.910	€ 15.488	€ 15.928	€ 16.426	€ 17.036	€ 19.176	€ 19.601	€ 20.334	€ 20.760	€ 21.183	€ 21.604	€ 22.203	€ 22.628	€ 25.445	€ 25.879	€ 1.543	€ 436
550 cm	€ 9.715	€ 10.164	€ 10.757	€ 11.380	€ 13.979	€ 14.426	€ 14.879	€ 15.500	€ 16.085	€ 16.540	€ 17.045	€ 17.664	€ 19.967	€ 20.401	€ 21.144	€ 21.584	€ 22.014	€ 22.442	€ 23.056	€ 23.492	€ 26.465	€ 26.912	€ 1.642	€ 475
600 cm	€ 10.086	€ 10.542	€ 11.148	€ 11.781	€ 14.538	€ 14.993	€ 15.457	€ 16.089	€ 16.682	€ 17.152	€ 17.664	€ 18.293	€ 20.759	€ 21.202	€ 21.954	€ 22.407	€ 22.845	€ 23.280	€ 23.909	€ 24.356	€ 27.484	€ 27.944	€ 1.741	€ 516
FS3	€ 241	€ 252	€ 275	€ 302	€ 327	€ 352	€ 377	€ 402	€ 427	€ 452	€ 581	€ 606	€ 631	€ 656	€ 683	€ 708	€ 733	€ 758	€ 783	€ 808	€ 833	€ 858		
FS5-A	€ 44	€ 56	€ 65	€ 75	€ 87	€ 96	€ 108	€ 117	€ 129	€ 139	€ 150	€ 160	€ 171	€ 181	€ 192	€ 202	€ 214	€ 223	€ 235	€ 244	€ 256	€ 266		
FS5-E	€ 61	€ 77	€ 90	€ 103	€ 119	€ 132	€ 148	€ 162	€ 178	€ 191	€ 207	€ 220	€ 236	€ 249	€ 265	€ 278	€ 294	€ 307	€ 323	€ 336	€ 352	€ 366		

FS3	Gutter System
FS5-A	Additional Fabric Support Profile (Standard)
FS5-E	Additional Fabric Support Profile (3 Axis)
FS4	Additional Rail for Compact Series- Al.- 75x120mm
FS8	Lighting System
FS9-C	Side Beam for Compact Series- Al.- 80x130mm

FS8	
FS8-S	SPOT
FS8-L	LINEAR
FS8-LR (RGB)	LINEAR (RGB)

LED TYPE & MODULE		
2 LED	3 LED	4 LED
€ 136	€ 165	€ 194
€ 194	€ 252	
€ 247	€ 320	

### Notes:

1. Any Side Beam is not included in the price.
2. FS Flexy Plain/3D or Stam 6002 is included in the price.
3. Motor and Remote control is included in the price.
4. Palmiye Aluminium Coating Catalogue includes the standard colours with no extra cost. For any other type/brand/color of paint, price difference and additional delivery duration shall be checked from your customer representative.
5. Standard fabric support profile plastic colours are specified in Palmiye Aluminium Coating Catalogue.

## OPTIONS

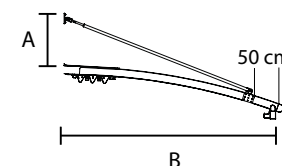
FS11	Deco ceiling cover	€ 72	m <sup>2</sup>
FS15-C	Side beam pillar (80x80mm - Al)	€ 403	pcs
FS19	Fix louver	€ 75	1m
FS24	W96 Ceiling Cover	€ 84	m <sup>2</sup>
FS26	Exclusive fabric difference (up to 800cm width)	€ 49	m <sup>2</sup>
FS28-1	Stainless steel chain - 100 cm	€ 79	1m
FS28-2	Stainless steel chain - 200 cm	€ 153	2m
FS28-3	Stainless steel chain - 300 cm	€ 224	3m
FS28-4	Stainless steel chain - 400 cm	€ 298	4m
FS29-1	Sun Sensor (SUNIS) (for single motor)	€ 621	pcs
FS29-1S	Sun Sensor (SUNIS) (for synchronized motor)	€ 990	pcs
FS29-2	Wind Sensor (EOLIS RTS) (for single motor)	€ 293	pcs
FS29-2S	Wind Sensor (EOLIS RTS) (for synchronized motor)	€ 658	pcs
FS29-3	Sun and Wind Sensor (SOLIRIS RTS) (for single motor)	€ 331	pcs
FS29-3S	Sun and Wind Sensor (SOLIRIS RTS) (for synchronized motor)	€ 696	pcs
FS29-4 <sup>2/3</sup>	Rain Sensor (ONDEIS) (for single motor)	€ 574	pcs
FS29-4S <sup>2/3</sup>	Rain Sensor (ONDEIS) (for synchronized motor)	€ 938	pcs
FS30	CONNEXOON	€ 525	pcs

## EXTENSIONS

Rail	Compact - 75x120mm	€ 206	1m
Beam	Al. 40x120mm	€ 65	1m
Beam	Al. 42x150mm	€ 105	1m
Beam	Al. 50x150mm	€ 186	1m
Beam	Al. 80x130mm	€ 98	1m
Beam	Al. 100x150mm	€ 155	1m
Beam	St. 100x150x3mm	€ 320	1m
Beam	St. 100x150x5mm	€ 388	1m
Beam	St. 100x200x3mm	€ 325	1m
Beam	St. 100x200x5mm	€ 462	1m
Fabric protection cover	Al. - 63x___cm	€ 60	m <sup>2</sup>
Gutter	Special Profile	€ 45	1m

## PRICE DIFFERENCE

		BEAM GROUP	
		Standard	Al. 40x120mm
Back Beam	to	Al. 42x150mm	€ 40 1m
		Al. 50x150mm	€ 122 1m
		Al. 80x130mm	€ 31 1m
		St. 50x150x3mm	€ 156 1m
		St. 50x150x5mm	€ 244 1m
		Al. 100x150mm	€ 89 1m
		St. 100x150x3mm	€ 262 1m
		St. 100x150x5mm	€ 336 1m
		St. 100x200x3mm	€ 266 1m
		St. 100x200x5mm	€ 410 1m



### MINIMUM "A" VALUES

B (cm)	250	300	350	400	450	500	550	600
A (cm)	50	50	50	60	70	80	90	100

Upper values will be evaluated on a project basis.

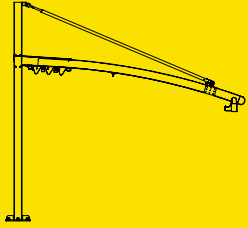
### Notes:

1. Fabric support profiles can be painted in the same color as the general construction. No fee is paid for this process. However, the plastic color should be specified from our standard plastic colours in Palmiye Color Chart.
2. For one product, a dry contact transmitter costing 368€, must be added.
3. Up to 5 products, a RS485 Automation interface dry contact transmitter costing 1126€, must be added.

# CORAL

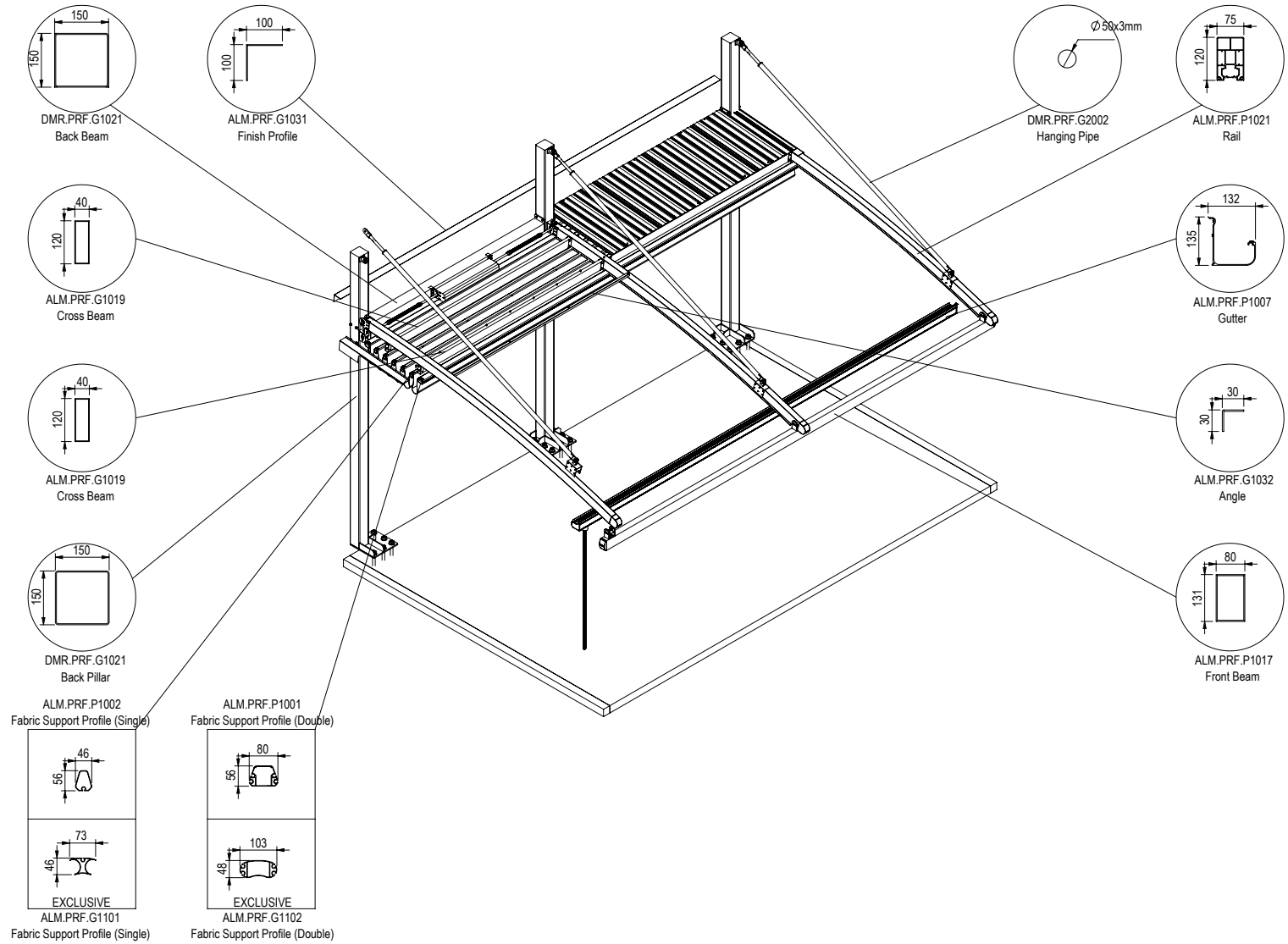
## Compact Hanging

### Freestanding



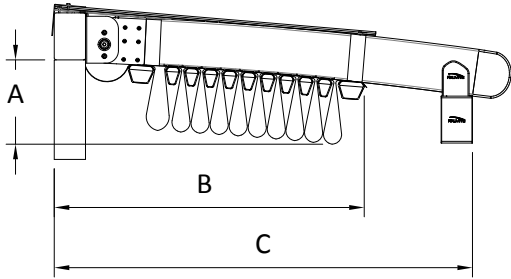
#### MAXIMUM DIMENSIONS

	WIDTH	PROJECTION
2 RAILS	400 cm	600 cm
3 RAILS	800 cm	600 cm
4 RAILS	1200 cm	600 cm
5 RAILS	1300 cm	600 cm



# TECHNICAL FEATURES

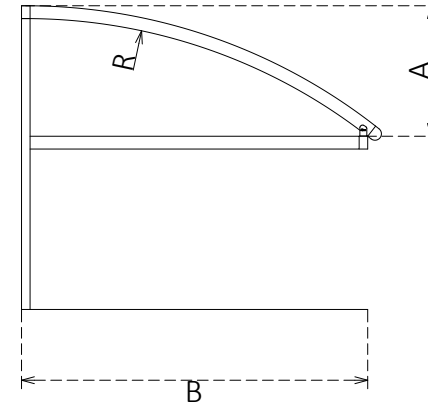
## COLLECTED FABRIC DIMENSIONS



## RADIUS CHART

RADIUS	850	1500	2850
B	A		
250	63		
300	83		
350	107		
400	135	82	
450	168	98	
500		116	
550		137	
600		160	93

\*The values are approx. ± 5 cm



## TILTED VERSION Projection cm

No of Fabric Support Profiles	200	250	300	350	400	450	500	550	600	C
5	31									73
6		32								79
7			33							86
9				35						99
10					36					105
11						37				112
13							39			125
14								40		131
15									41	138

\*Calculated according to a slope of 15%

## WIND RESISTANCE

PROJECTION (cm)	WIDTH (cm)																	
	450	500	550	600	650	700	750	800	850	900	950	1000	1050	1100	1150	1200	1250	1300
400	10	10	10	9	9	9	9	8	8	8	9	9	9	9	8	8	8	8
450	9	9	9	8	8	8	8	7	7	7	8	8	8	8	7	7	7	7
500	8	8	8	8	8	7	7	7	7	6	8	7	7	7	7	7	7	6
550	8	8	7	7	7	7	7	6	6	6	7	7	7	6	6	6	6	6
600	7	7	7	6	6	6	6	6	5	5	6	6	6	6	6	6	5	5

All sides open

\*The values are given according to the Beaufort scale.

\*\*Calculated for Products with a front height of 250 cm according to Eurocode EN 1991-1-4 Terrain Category 4.

\*\*\* You can ask for new calculations for special designs.

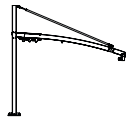
## DRAINAGE CALCULATION

Type	Max. m <sup>2</sup>
Compact	30 m <sup>2</sup> /pc

\* per drainage

There should be at least one drainage, each 8 m length gutter.

# CORAL Compact Hanging Freestanding



Projection	Width				2 RAILS								3 RAILS								4 RAILS								5 RAILS		FS4	FS9-C
	250 cm	300 cm	350 cm	400 cm	450 cm	500 cm	550 cm	600 cm	650 cm	700 cm	750 cm	800 cm	850 cm	900 cm	950 cm	1000 cm	1050 cm	1100 cm	1150 cm	1200 cm	1250 cm	1300 cm										
200 cm	€ 8.225	€ 8.560	€ 9.206	€ 9.542	€ 11.730	€ 12.061	€ 12.400	€ 12.731	€ 13.374	€ 13.709	€ 14.102	€ 14.431	€ 16.322	€ 16.643	€ 17.270	€ 17.590	€ 17.906	€ 18.226	€ 18.540	€ 18.860	€ 21.437	€ 21.936	€ 977	€ 200								
250 cm	€ 8.583	€ 9.097	€ 9.584	€ 9.930	€ 12.269	€ 12.609	€ 13.133	€ 13.472	€ 13.956	€ 14.297	€ 14.701	€ 15.219	€ 17.253	€ 17.588	€ 18.054	€ 18.381	€ 18.888	€ 19.216	€ 19.543	€ 19.872	€ 22.599	€ 23.106	€ 1.079	€ 241								
300 cm	€ 9.136	€ 9.711	€ 10.248	€ 10.644	€ 13.182	€ 13.578	€ 14.151	€ 14.547	€ 15.081	€ 15.475	€ 15.930	€ 16.502	€ 18.737	€ 19.117	€ 19.638	€ 20.018	€ 20.572	€ 20.952	€ 21.335	€ 21.717	€ 24.636	€ 25.199	€ 1.181	€ 283								
350 cm	€ 9.677	€ 10.087	€ 10.633	€ 11.217	€ 13.909	€ 14.314	€ 14.721	€ 15.303	€ 15.851	€ 16.255	€ 16.723	€ 17.303	€ 19.693	€ 20.086	€ 20.783	€ 21.180	€ 21.573	€ 21.964	€ 22.527	€ 22.918	€ 25.992	€ 26.395	€ 1.283	€ 323								
400 cm	€ 10.044	€ 10.465	€ 11.022	€ 11.613	€ 14.463	€ 14.880	€ 15.303	€ 15.891	€ 16.448	€ 16.865	€ 17.342	€ 17.930	€ 20.480	€ 20.883	€ 21.593	€ 21.998	€ 22.404	€ 22.804	€ 23.380	€ 23.780	€ 27.012	€ 27.425	€ 1.383	€ 366								
450 cm	€ 10.559	€ 11.021	€ 11.616	€ 12.248	€ 15.280	€ 15.740	€ 16.198	€ 16.825	€ 17.423	€ 17.876	€ 18.394	€ 19.022	€ 21.750	€ 22.194	€ 22.946	€ 23.387	€ 23.830	€ 24.272	€ 24.883	€ 25.325	€ 28.738	€ 29.187	€ 1.485	€ 406								
500 cm	€ 10.930	€ 11.399	€ 12.007	€ 12.649	€ 15.839	€ 16.307	€ 16.776	€ 17.414	€ 18.020	€ 18.488	€ 19.013	€ 19.651	€ 22.542	€ 22.994	€ 23.756	€ 24.210	€ 24.661	€ 25.110	€ 25.736	€ 26.189	€ 29.757	€ 30.219	€ 1.587	€ 448								
550 cm	€ 11.300	€ 11.777	€ 12.398	€ 13.049	€ 16.398	€ 16.873	€ 17.354	€ 18.003	€ 18.617	€ 19.099	€ 19.632	€ 20.280	€ 23.333	€ 23.795	€ 24.566	€ 25.033	€ 25.492	€ 25.948	€ 26.590	€ 27.053	€ 30.777	€ 31.252	€ 1.689	€ 489								
600 cm	€ 11.671	€ 12.155	€ 12.789	€ 13.450	€ 16.958	€ 17.440	€ 17.932	€ 18.593	€ 19.214	€ 19.711	€ 20.252	€ 20.908	€ 24.125	€ 24.596	€ 25.376	€ 25.857	€ 26.322	€ 26.786	€ 27.443	€ 27.918	€ 31.796	€ 32.285	€ 1.791	€ 531								
FS3	€ 241	€ 252	€ 275	€ 302	€ 327	€ 352	€ 377	€ 402	€ 427	€ 452	€ 581	€ 606	€ 631	€ 656	€ 683	€ 708	€ 733	€ 758	€ 783	€ 808	€ 833	€ 858										
FS5-A	€ 44	€ 56	€ 65	€ 75	€ 87	€ 96	€ 108	€ 117	€ 129	€ 139	€ 150	€ 160	€ 171	€ 181	€ 192	€ 202	€ 214	€ 223	€ 235	€ 244	€ 256	€ 266										
FS5-E	€ 61	€ 77	€ 90	€ 103	€ 119	€ 132	€ 148	€ 162	€ 178	€ 191	€ 207	€ 220	€ 236	€ 249	€ 265	€ 278	€ 294	€ 307	€ 323	€ 336	€ 352	€ 366										

FS3	Gutter System
FS5-A	Additional Fabric Support Profile (Standard)
FS5-E	Additional Fabric Support Profile (3 Axis)
FS4	Additional Rail for Compact Series- Al.- 75x120mm
FS8	Lighting System
FS9-C	Side Beam for Compact Series- Al.- 80x130mm

FS8	
FS8-S	SPOT
FS8-L	LINEAR
FS8-LR (RGB)	LINEAR (RGB)

LED TYPE & MODULE		
2 LED	3 LED	4 LED
€ 136	€ 165	€ 194
€ 194	€ 252	
€ 247	€ 320	

### Notes:

- Any Side Beam is not included in the price.
- FS Flexy Plain/3D or Stam 6002 is included in the price.
- Motor and Remote control is included in the price.
- Palmiye Aluminium Coating Catalogue includes the standard colours with no extra cost. For any other type/brand/color of paint, price difference and additional delivery duration shall be checked from your customer representative.
- Standard fabric support profile plastic colours are specified in Palmiye Aluminium Coating Catalogue.
- In pergolas including steel front pillars, if gutter option is preferred, external water drainage points will be specified according to the Project and will be priced additionally.

### DEDUCTIONS

Price deduction is applicable only for back pillars and back beam. Deduction amount shall be consider as 70% of related option price.

## OPTIONS

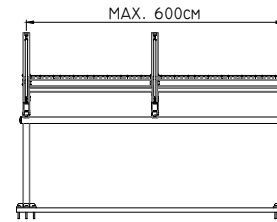
FS10-150ST3	Extra pillar (150x150x3mm St.)	€ 980	pcs
FS10-150ST5	Extra pillar (150x150x5mm St.)	€ 1.370	pcs
FS10-150ST5-H	Extra Half pillar (150x150x5mm St.)	€ 165	pcs
FS11	Deco ceiling cover	€ 72	m²
FS15-C	Side beam pillar (80x80mm - Al)	€ 403	pcs
FS19	Fix louver	€ 75	lm
FS24	W96 Ceiling Cover	€ 84	m²
FS26	Exclusive fabric difference (up to 800cm width)	€ 49	m²
FS28-1	Stainless steel chain - 100 cm	€ 79	1m
FS28-2	Stainless steel chain - 200 cm	€ 153	2m
FS28-3	Stainless steel chain - 300 cm	€ 224	3m
FS28-4	Stainless steel chain - 400 cm	€ 298	4m
FS29-1	Sun Sensor (SUNIS) (for single motor)	€ 621	pcs
FS29-1S	Sun Sensor (SUNIS) (for synchronized motor)	€ 990	pcs
FS29-2	Wind Sensor (EOLIS RTS) (for single motor)	€ 293	pcs
FS29-2S	Wind Sensor (EOLIS RTS) (for synchronized motor)	€ 658	pcs
FS29-3	Sun and Wind Sensor (SOLIRIS RTS) (for single motor)	€ 331	pcs
FS29-3S	Sun and Wind Sensor (SOLIRIS RTS) (for synchronized motor)	€ 696	pcs
FS29-42	Rain Sensor (ONDEIS) (for single motor)	€ 574	pcs
FS29-4S3	Rain Sensor (ONDEIS) (for synchronized motor)	€ 938	pcs
FS30	CONNEXOON	€ 525	pcs

### Notes:

1. Fabric support profiles can be painted in the same color as the general construction. No fee is paid for this process. However, the plastic color should be specified from our standard plastic colours in Palmiye Color Chart.
2. For one product, a dry contact transmitter costing 368€, must be added.
3. Up to 5 products, a RS485 Automation interface dry contact transmitter costing 1126€, must be added.

## EXTENSIONS

Rail	Compact - 75x120mm	€ 206	lm
Beam	Al. 40x120mm	€ 65	lm
Beam	Al. 42x150mm	€ 105	lm
Beam	Al. 50x150mm	€ 186	lm
Beam	Al. 80x130mm	€ 98	lm
Beam	Al. 100x150mm	€ 155	lm
Beam	St. 100x150x3mm	€ 320	lm
Beam	St. 100x150x5mm	€ 388	lm
Beam	St. 100x200x3mm	€ 325	lm
Beam	St. 100x200x5mm	€ 462	lm
Fabric protection cover	Al. - 63x___cm	€ 60	m²
Gutter	Special Profile	€ 45	lm

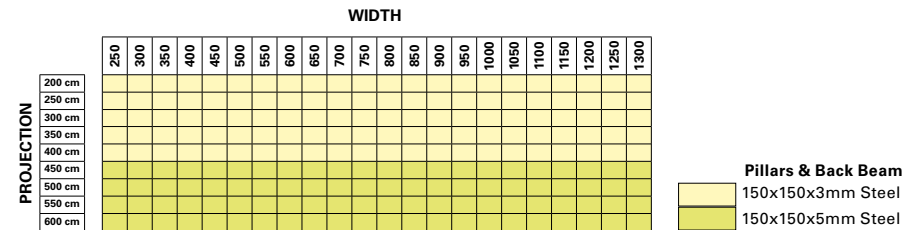


- The front beam can not be produced in steel.
- Ground flanges are 380x380x15 mm.
- When pillar reduction is applied, half pillar must be installed at the back of each rail shaft, and steel back pillars and back beam should be 150x150 mm.
- In condition of adding an additional rail, a steel 150x150 mm back pillar should also be added.

## PRICE DIFFERENCE

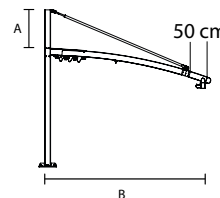
		PILLAR GROUP	
Pillar	Standard	St. 150x150x3mm	
		to	St. 150x150x5mm

## STANDARD CONSTRUCTION



\* In case of reducing middle pillars, distance between the pillars can be maximum 600 cm.

\*\* Steel with a wall thickness of 5 mm must be used in all cases where the pillar is reduced.

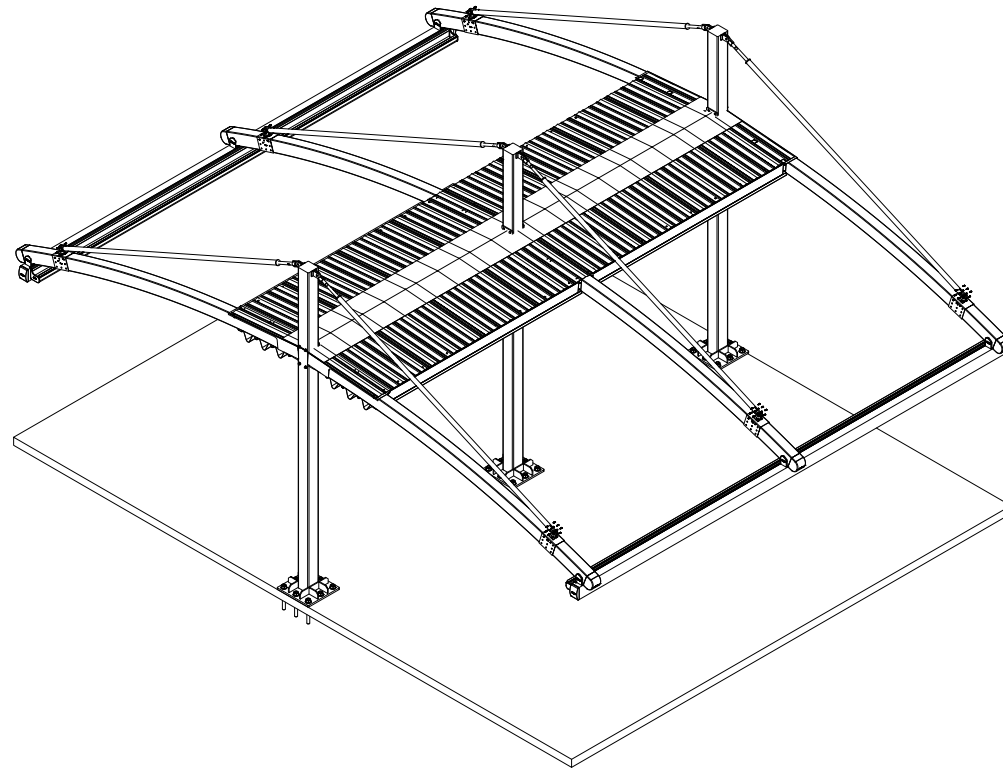


- Max. pillar length: 480 cm

### MINIMUM "A" VALUES

<b>B (cm)</b>	250	300	350	400	450	500	550	600
<b>A (cm)</b>	50	50	50	60	70	80	90	100

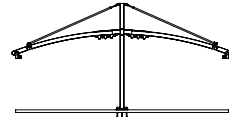
Upper values will be evaluated on a project basis.



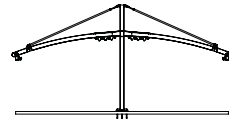
# CORAL TWIN HANGING

## PRODUCT FORMS

- Coral Twin Hanging
- 

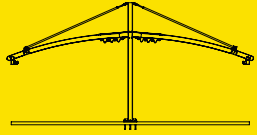


- Coral Compact Twin Hanging
- 



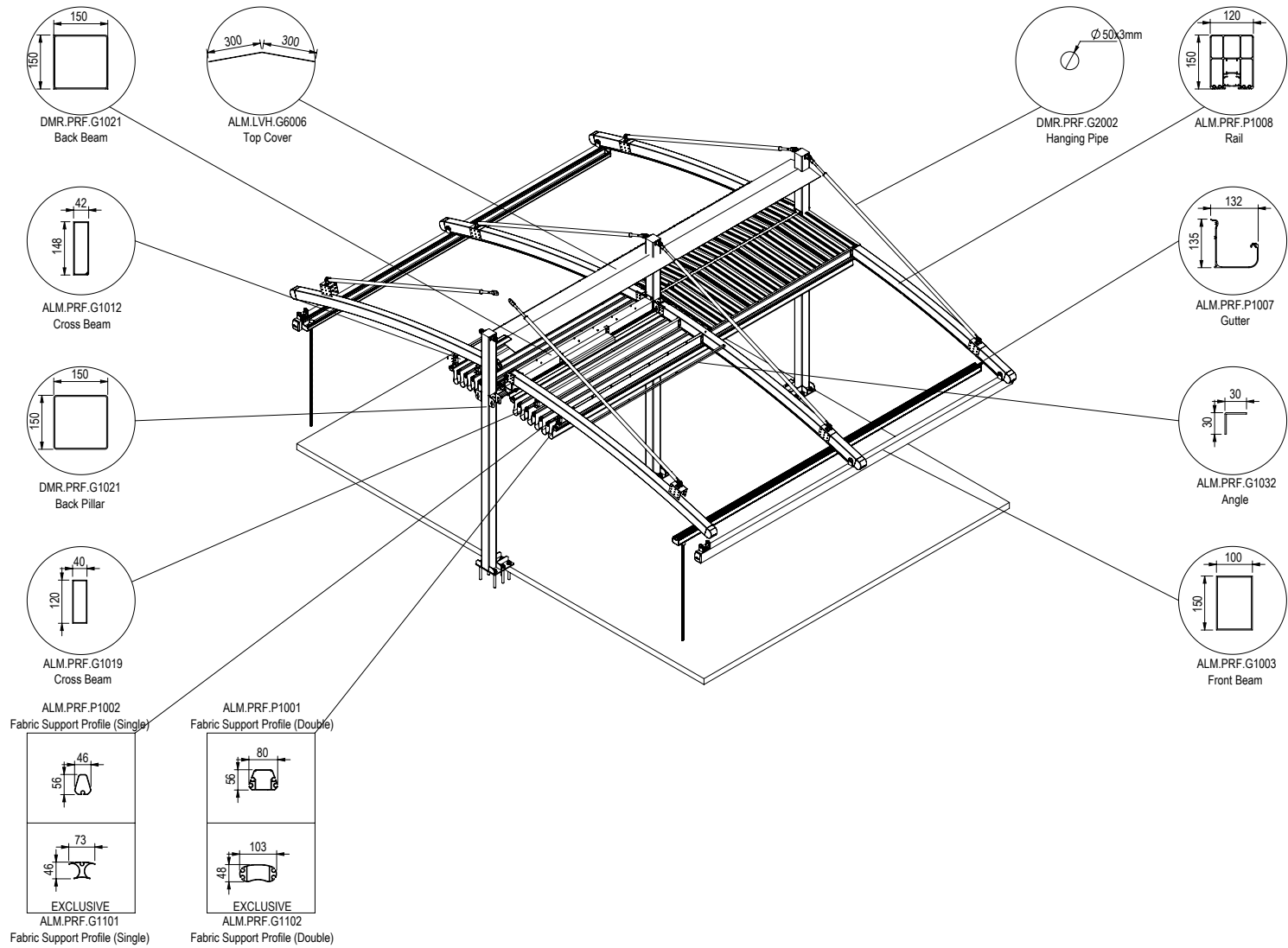
# CORAL

## Twin Hanging



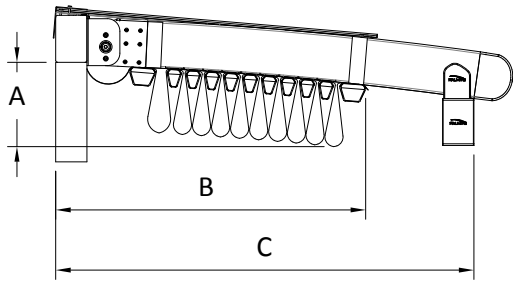
### MAXIMUM DIMENSIONS

	WIDTH	PROJECTION
2 RAILS	400 cm	1200 cm
3 RAILS	800 cm	1200 cm
4 RAILS	1200 cm	1200 cm



# TECHNICAL FEATURES

## COLLECTED FABRIC DIMENSIONS



### TILTED VERSION Projection cm

No of Fabric Support Profiles	Projection cm										C
	200	250	300	350	400	450	500	550	600		
5	30										68
6		31									74
7			32								81
9				34							94
10					35						100
11						36					107
13							38				120
14								39			126
15									40		133

\*Calculated according to a slope of 15%

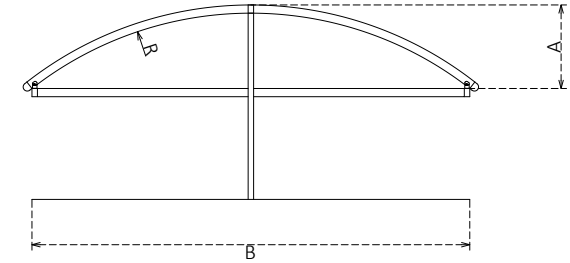
PROJECTION ( cm )

## RADIUS CHART

RADIUS	650	850	1500
--------	-----	-----	------

Projection	A			B
300	41			
400	58			
500	81	65		
600		85		
700		109		
800		137	83	
900			100	
1000			118	
1100			139	
1200			161	

\*The values are approx. ± 5 cm



## WIND RESISTANCE

PROJECTION (cm)	WIDTH ( cm )																	
	450	500	550	600	650	700	750	800	850	900	950	1000	1050	1100	1150	1200	1250	1300
800	10	10	10	9	9	9	9	9	8	8	9	9	9	9	9	9	8	8
900	9	9	9	9	8	8	8	8	7	7	8	8	8	8	8	8	7	7
1000	8	8	8	8	7	7	7	7	7	6	7	7	7	7	7	7	7	6
1100	7	7	7	7	6	6	6	6	6	6	6	6	6	6	6	6	6	6
1200	7	6	6	6	6	6	6	6	5	5	6	6	6	6	6	6	5	5

\*The values are given according to the Beaufort scale.

\*\*Calculated for Products with a front height of 250 cm according to Eurocode EN 1991-1-4 Terrain Category 4.

\*\*\* You can ask for new calculations for special designs.

All sides open

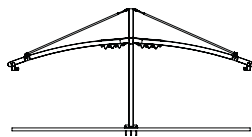
## DRAINAGE CALCULATION

Type	Max. m <sup>2</sup>
Full	39 m <sup>2</sup> /pc

\* per drainage

There should be at least one drainage, each 8 m length gutter.

# CORAL Twin Hanging



Projection	2 RAILS				3 RAILS								4 RAILS							5 RAILS		FS4	FS9	FS9-S	
	250 cm	300 cm	350 cm	400 cm	450 cm	500 cm	550 cm	600 cm	650 cm	700 cm	750 cm	800 cm	850 cm	900 cm	950 cm	1000 cm	1050 cm	1100 cm	1150 cm	1200 cm	1250 cm				1300 cm
400 cm	€ 15.988	€ 16.708	€ 18.270	€ 19.004	€ 19.724	€ 22.777	€ 23.595	€ 24.326	€ 25.888	€ 26.610	€ 27.499	€ 28.219	€ 28.953	€ 29.673	€ 33.435	€ 34.155	€ 34.889	€ 35.609	€ 36.342	€ 37.063	€ 38.157	€ 39.347	€ 1.678	€ 443	€ 644
450 cm	€ 16.334	€ 17.301	€ 18.648	€ 19.393	€ 20.132	€ 23.365	€ 24.386	€ 25.131	€ 26.476	€ 27.215	€ 28.116	€ 29.084	€ 29.828	€ 30.567	€ 34.232	€ 34.971	€ 35.950	€ 36.689	€ 37.435	€ 38.174	€ 39.280	€ 40.486	€ 1.801	€ 493	€ 724
500 cm	€ 16.680	€ 17.892	€ 19.022	€ 19.780	€ 20.536	€ 23.950	€ 25.176	€ 25.931	€ 27.061	€ 27.819	€ 28.732	€ 29.944	€ 30.702	€ 31.460	€ 35.027	€ 35.785	€ 37.010	€ 37.768	€ 38.524	€ 39.281	€ 40.398	€ 41.624	€ 1.924	€ 543	€ 805
550 cm	€ 17.299	€ 18.585	€ 19.786	€ 20.615	€ 21.445	€ 25.048	€ 26.347	€ 27.175	€ 28.377	€ 29.200	€ 30.191	€ 31.478	€ 32.307	€ 33.136	€ 36.896	€ 37.725	€ 39.023	€ 39.846	€ 40.681	€ 41.512	€ 42.699	€ 43.998	€ 2.047	€ 593	€ 885
600 cm	€ 17.919	€ 19.275	€ 20.549	€ 21.451	€ 22.352	€ 26.148	€ 27.518	€ 28.420	€ 29.694	€ 30.582	€ 31.652	€ 33.011	€ 33.910	€ 34.812	€ 38.765	€ 39.667	€ 41.036	€ 41.925	€ 42.838	€ 43.740	€ 45.002	€ 46.372	€ 2.170	€ 643	€ 966
650 cm	€ 18.499	€ 19.647	€ 20.933	€ 22.079	€ 23.000	€ 26.940	€ 28.088	€ 29.235	€ 30.526	€ 31.433	€ 32.515	€ 33.892	€ 34.805	€ 35.718	€ 40.049	€ 40.963	€ 42.116	€ 43.023	€ 44.177	€ 45.096	€ 46.376	€ 47.522	€ 2.294	€ 693	€ 1.046
700 cm	€ 19.082	€ 20.020	€ 21.318	€ 22.712	€ 23.649	€ 27.733	€ 28.659	€ 30.053	€ 31.362	€ 32.288	€ 33.381	€ 34.775	€ 35.701	€ 36.625	€ 41.336	€ 42.260	€ 43.197	€ 44.123	€ 45.517	€ 46.454	€ 47.753	€ 48.677	€ 2.417	€ 743	€ 1.127
750 cm	€ 19.443	€ 20.392	€ 21.707	€ 23.120	€ 24.062	€ 28.292	€ 29.235	€ 30.642	€ 31.968	€ 32.906	€ 34.019	€ 35.424	€ 36.367	€ 37.310	€ 42.159	€ 43.102	€ 44.052	€ 44.995	€ 46.400	€ 47.356	€ 48.666	€ 49.608	€ 2.540	€ 793	€ 1.207
800 cm	€ 19.803	€ 20.762	€ 22.096	€ 23.527	€ 24.476	€ 28.850	€ 29.811	€ 31.230	€ 32.575	€ 33.523	€ 34.653	€ 36.071	€ 37.033	€ 37.994	€ 42.980	€ 43.942	€ 44.903	€ 45.865	€ 47.281	€ 48.256	€ 49.577	€ 50.538	€ 2.663	€ 843	€ 1.288
850 cm	€ 20.175	€ 21.153	€ 22.500	€ 23.941	€ 24.916	€ 29.426	€ 30.401	€ 31.836	€ 33.194	€ 34.161	€ 35.302	€ 36.739	€ 37.717	€ 38.690	€ 43.816	€ 44.795	€ 45.775	€ 46.748	€ 48.183	€ 49.169	€ 50.508	€ 51.481	€ 2.786	€ 893	€ 1.368
900 cm	€ 20.547	€ 21.544	€ 22.903	€ 24.356	€ 25.353	€ 30.004	€ 30.988	€ 32.444	€ 33.813	€ 34.799	€ 35.951	€ 37.405	€ 38.402	€ 39.388	€ 44.651	€ 45.648	€ 46.645	€ 47.631	€ 49.085	€ 50.082	€ 51.440	€ 52.426	€ 2.909	€ 943	€ 1.449
950 cm	€ 20.908	€ 21.917	€ 23.294	€ 24.766	€ 25.774	€ 30.569	€ 31.572	€ 33.039	€ 34.419	€ 35.424	€ 36.595	€ 38.060	€ 39.076	€ 40.073	€ 45.480	€ 46.495	€ 47.506	€ 48.508	€ 49.975	€ 50.989	€ 52.360	€ 53.363	€ 3.033	€ 993	€ 1.529
1000 cm	€ 21.267	€ 22.289	€ 23.693	€ 25.172	€ 26.193	€ 31.132	€ 32.154	€ 33.632	€ 35.025	€ 36.047	€ 37.237	€ 38.715	€ 39.747	€ 40.758	€ 46.308	€ 47.341	€ 48.362	€ 49.394	€ 50.862	€ 51.895	€ 53.277	€ 54.299	€ 3.156	€ 1.043	€ 1.610
1050 cm	€ 21.627	€ 22.661	€ 24.072	€ 25.578	€ 26.612	€ 31.695	€ 32.736	€ 34.225	€ 35.632	€ 36.670	€ 37.878	€ 39.369	€ 40.419	€ 41.442	€ 47.137	€ 48.187	€ 49.219	€ 50.259	€ 51.749	€ 52.800	€ 54.194	€ 55.234	€ 3.292	€ 1.095	€ 1.690
1100 cm	€ 21.986	€ 23.033	€ 24.461	€ 25.984	€ 27.031	€ 32.258	€ 33.317	€ 34.818	€ 36.238	€ 37.293	€ 38.520	€ 40.024	€ 41.091	€ 42.127	€ 47.966	€ 49.032	€ 50.076	€ 51.135	€ 52.635	€ 53.705	€ 55.110	€ 56.169	€ 3.431	€ 1.145	€ 1.771
1150 cm	€ 22.345	€ 23.406	€ 24.850	€ 26.390	€ 27.450	€ 32.822	€ 33.899	€ 35.411	€ 36.844	€ 37.916	€ 39.162	€ 40.679	€ 41.762	€ 42.812	€ 48.795	€ 49.878	€ 50.933	€ 52.011	€ 53.522	€ 54.611	€ 56.027	€ 57.105	€ 3.567	€ 1.197	€ 1.851
1200 cm	€ 22.704	€ 23.778	€ 25.239	€ 26.796	€ 27.870	€ 33.385	€ 34.481	€ 36.004	€ 37.450	€ 38.539	€ 39.803	€ 41.334	€ 42.434	€ 43.496	€ 49.623	€ 50.723	€ 51.790	€ 52.886	€ 54.409	€ 55.516	€ 56.944	€ 58.040	€ 3.704	€ 1.247	€ 1.932

FS3	€ 241	€ 252	€ 275	€ 302	€ 327	€ 352	€ 377	€ 402	€ 427	€ 452	€ 581	€ 606	€ 631	€ 656	€ 683	€ 708	€ 733	€ 758	€ 783	€ 808	€ 833	€ 858
FS5-A	€ 44	€ 56	€ 65	€ 75	€ 87	€ 96	€ 108	€ 117	€ 129	€ 139	€ 150	€ 160	€ 171	€ 181	€ 192	€ 202	€ 214	€ 223	€ 235	€ 244	€ 256	€ 266
FS5-E	€ 61	€ 77	€ 90	€ 103	€ 119	€ 132	€ 148	€ 162	€ 178	€ 191	€ 207	€ 220	€ 236	€ 249	€ 265	€ 278	€ 294	€ 307	€ 323	€ 336	€ 352	€ 366

FS3	Gutter System (For One Side)
FS5-A	Additional Fabric Support Profile (Standard)
FS5-E	Additional Fabric Support Profile (3 Axis)
FS4	Additional Rail - Al.Plus- 120x150mm
FS8	Lighting System
FS9	Side Beam - Al. - 50x150mm
FS9-S	Side Beam - Al. - 100x150mm (Special)

FS8	
FS8-S	SPOT
FS8-L	LINEAR
FS8-LR (RGB)	LINEAR (RGB)

LED TYPE & MODULE		
2 LED	3 LED	4 LED
€ 136	€ 165	€ 194
€ 194	€ 252	
€ 247	€ 320	

## Notes:

- Any Side Beam is not included in the price.
- FS Flexy Plain/3D or Stam 6002 is included in the price.
- Motor and Remote control is included in the price.
- Palmiye Aluminium Coating Catalogue includes the standard colours with no extra cost. For any other type/brand/color of paint, price difference and additional delivery duration shall be checked from your customer representative.
- Standard fabric support profile plastic colours are specified in Palmiye Aluminium Coating Catalogue.
- The gutter option price is for one side and must be added separately for each side.
- In pergolas including steel front pillars, if gutter option is preferred, external water drainage points will be specified according to the Project and will be priced additionally.

## DEDUCTIONS

Price deduction is applicable only for back pillars and back beam. Deduction amount shall be consider as 70% of related option price.

## OPTIONS

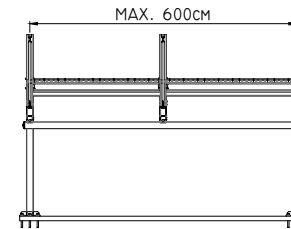
FS10-150ST3	Extra pillar (150x150x3mm St.)	€ 980	pcs
FS10-150ST5	Extra pillar (150x150x5mm St.)	€ 1.370	pcs
FS10-150ST5-H	Extra Half pillar (150x150x5mm St.)	€ 165	pcs
FS11	Deco ceiling cover	€ 72	m <sup>2</sup>
FS15	Side beam pillar (50x100mm - Al)	€ 284	pcs
FS15-B	Side beam pillar (100x100mm - Al)	€ 548	pcs
FS19	Fix louver	€ 75	lm
FS24	W96 Ceiling Cover	€ 84	m <sup>2</sup>
FS26	Exclusive fabric difference (up to 800cm width)	€ 49	m <sup>2</sup>
FS28-1	Stainless steel chain - 100 cm	€ 79	1m
FS28-2	Stainless steel chain - 200 cm	€ 153	2m
FS28-3	Stainless steel chain - 300 cm	€ 224	3m
FS28-4	Stainless steel chain - 400 cm	€ 298	4m
FS29-1	Sun Sensor (SUNIS) (for single motor)	€ 621	pcs
FS29-1S	Sun Sensor (SUNIS) (for synchronized motor)	€ 990	pcs
FS29-2	Wind Sensor (EOLIS RTS) (for single motor)	€ 293	pcs
FS29-2S	Wind Sensor (EOLIS RTS) (for synchronized motor)	€ 658	pcs
FS29-3	Sun and Wind Sensor (SOLIRIS RTS) (for single motor)	€ 331	pcs
FS29-3S	Sun and Wind Sensor (SOLIRIS RTS) (for synchronized motor)	€ 696	pcs
FS29-42	Rain Sensor (ONDEIS) (for single motor)	€ 574	pcs
FS29-4S3	Rain Sensor (ONDEIS) (for synchronized motor)	€ 938	pcs
FS30	CONNEXOON	€ 525	pcs

### Notes:

1. Fabric support profiles can be painted in the same color as the general construction. No fee is paid for this process. However, the plastic color should be specified from our standard plastic colours in Palmiye Color Chart.
2. For one product, a dry contact transmitter costing 368€, must be added.
3. Up to 5 products, a RS485 Automation interface dry contact transmitter costing 1126€, must be added.

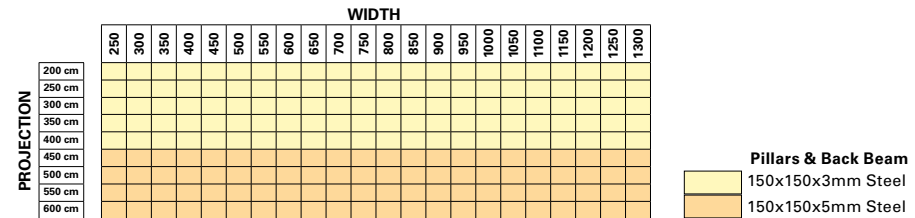
## EXTENSIONS

Rail	Plus - 120x150mm	€ 337	lm
Beam	Al. 42x150mm	€ 105	lm
Beam	Al. 50x150mm	€ 186	lm
Beam	Al. 100x150mm	€ 155	lm
Beam	St. 100x150x3mm	€ 320	lm
Beam	St. 100x150x5mm	€ 388	lm
Beam	St. 100x200x3mm	€ 325	lm
Beam	St. 100x200x5mm	€ 462	lm
Fabric protection cover	Al. - 63x_____cm	€ 60	m <sup>2</sup>
Gutter	Special Profile	€ 45	lm



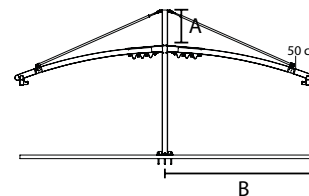
- The front beam can not be produced in steel.
- Ground flanges are 380x380x15 mm.
- When pillar reduction is applied, half pillar must be installed at the back of each rail shaft, and steel back pillars and back beam should be 150x150 mm.
- In condition of adding an additional rail, a steel 150x150 mm back pillar should also be added.

## STANDARD CONSTRUCTION



\* In case of reducing middle pillars, distance between the pillars can be maximum 600 cm.

\*\* Steel with a wall thickness of 5 mm must be used in all cases where the pillar is reduced.



### MINIMUM "A" VALUES

B (cm)	250	300	350	400	450	500	550	600
A (cm)	50	50	50	60	70	80	90	100

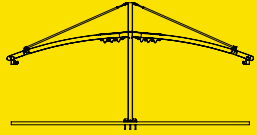
Upper values will be evaluated on a project basis.

## PRICE DIFFERENCE

Pillar	PILLAR GROUP		
	Standard	St. 150x150x3mm	
to		St. 150x150x5mm	€ 535 pcs

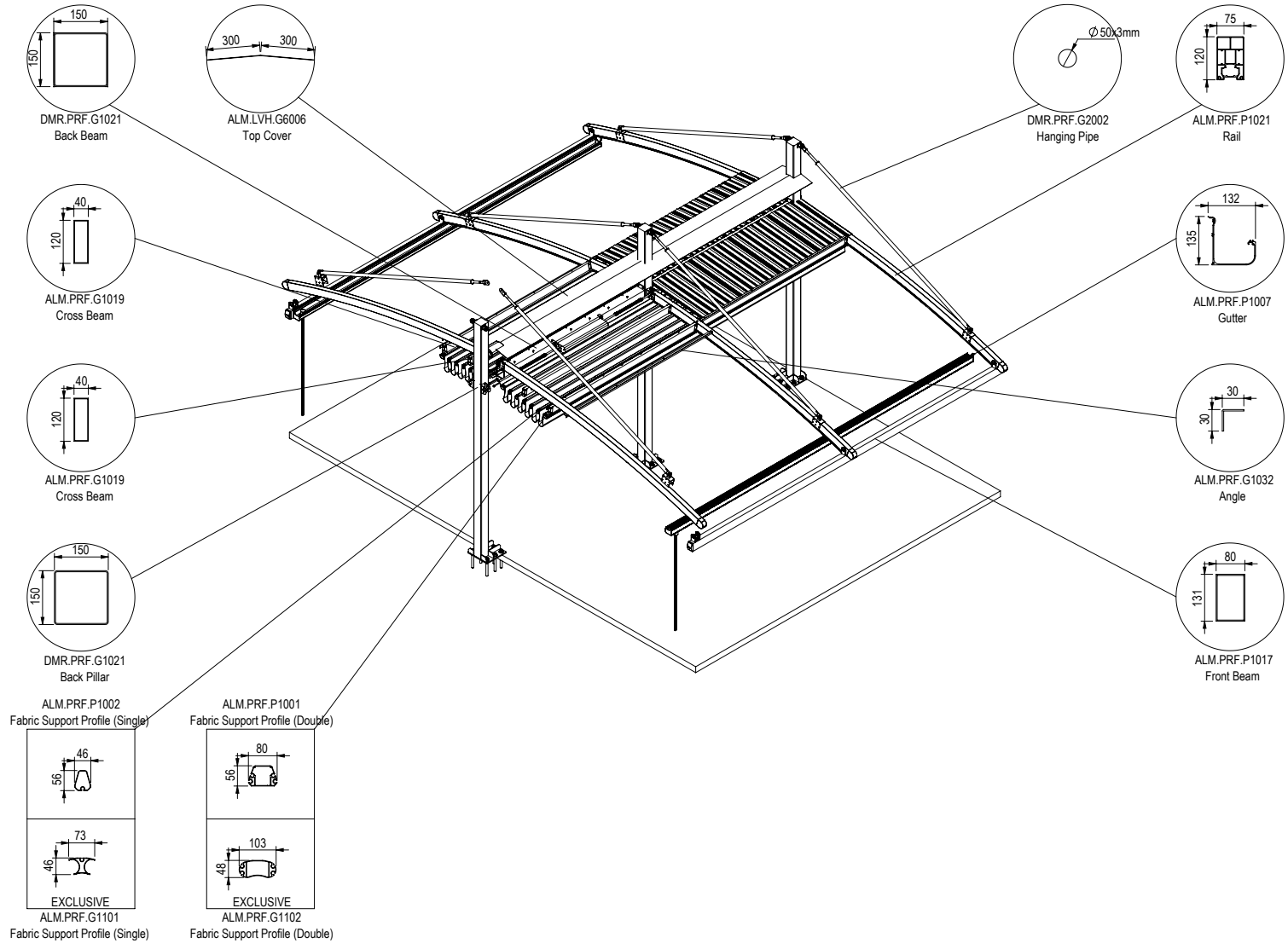
# CORAL

## Compact Twin Hanging



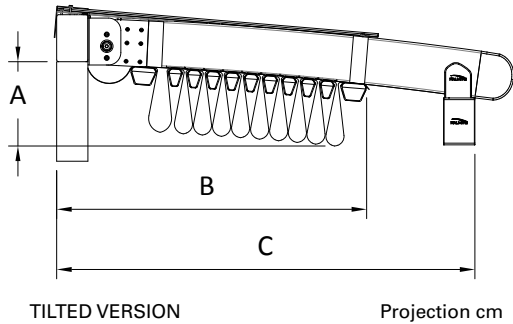
### MAXIMUM DIMENSIONS

	WIDTH	PROJECTION
2 RAILS	400 cm	1200 cm
3 RAILS	800 cm	1200 cm
4 RAILS	1200 cm	1200 cm
5 RAILS	1300 cm	1200 cm



# TECHNICAL FEATURES

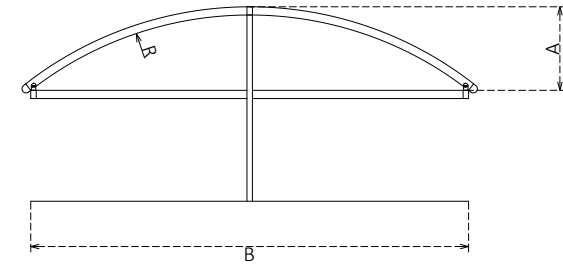
## COLLECTED FABRIC DIMENSIONS



## RADIUS CHART

RADIUS	650	850	1500
--------	-----	-----	------

Projection	A			B
300	41			
400	58			
500	81	65		
600		85		
700		109		
800		137	83	
900			100	
1000			118	
1100			139	
1200			161	



\*The values are approx. ± 5 cm

	200	250	300	350	400	450	500	550	600	C
5	30									68
6	31									74
8	33									87
9	34									94
10	35									100
11	36									107
13	38									120
14	39									126
15	40									133



\*Calculated according to a slope of 15%

## WIND RESISTANCE

PROJECTION (cm)	WIDTH (cm)																	
	450	500	550	600	650	700	750	800	850	900	950	1000	1050	1100	1150	1200	1250	1300
400	11	11	11	11	11	11	11	10	10	10	11	11	11	11	10	10	10	10
500	11	11	10	10	10	10	9	9	9	9	10	10	10	9	9	9	9	9
600	10	10	10	9	9	9	8	8	8	8	9	9	9	8	8	8	8	8
700	9	9	9	8	8	8	7	7	7	7	8	8	8	7	7	7	7	7
800	9	9	8	7	7	7	7	7	7	6	7	7	7	7	7	7	7	6
900	7	7	7	6	6	6	6	6	6	5	6	6	6	6	6	6	6	5
1000	6	6	6	6	6	6	6	5	5	5	6	6	6	6	5	5	5	5
1100	5	5	5	5	5	5	5	5	5	5	5	5	5	5	5	5	5	5
1200	5	5	5	5	5	5	5	4	4	4	5	5	5	5	4	4	4	4

\*The values are given according to the Beaufort scale.

\*\*Calculated for Products with a front height of 250 cm according to Eurocode EN 1991-1-4 Terrain Category 4.

\*\*\* You can ask for new calculations for special designs.

All sides open

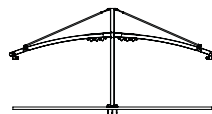
## DRAINAGE CALCULATION

Type	Max. m <sup>2</sup>
Compact	30 m <sup>2</sup> /pc

\* per drainage

There should be at least one drainage, each 8 m length gutter.

# CORAL Compact Twin Hanging



Projection	2 RAILS				3 RAILS								4 RAILS								5 RAILS		FS4	FS9-C
	250 cm	300 cm	350 cm	400 cm	450 cm	500 cm	550 cm	600 cm	650 cm	700 cm	750 cm	800 cm	850 cm	900 cm	950 cm	1000 cm	1050 cm	1100 cm	1150 cm	1200 cm	1250 cm	1300 cm		
400 cm	€ 12.954	€ 13.534	€ 14.794	€ 15.384	€ 15.962	€ 18.427	€ 19.082	€ 19.668	€ 20.924	€ 21.501	€ 22.212	€ 22.787	€ 23.372	€ 23.946	€ 26.974	€ 27.546	€ 28.129	€ 28.701	€ 29.283	€ 29.854	€ 30.726	€ 31.674	€ 1.384	€ 365
450 cm	€ 13.222	€ 14.000	€ 15.086	€ 15.683	€ 16.276	€ 18.883	€ 19.703	€ 20.298	€ 21.378	€ 21.968	€ 22.689	€ 23.462	€ 24.055	€ 24.643	€ 27.589	€ 28.176	€ 28.956	€ 29.542	€ 30.133	€ 30.719	€ 31.598	€ 32.559	€ 1.486	€ 406
500 cm	€ 13.488	€ 14.464	€ 15.373	€ 15.980	€ 16.586	€ 19.337	€ 20.320	€ 20.924	€ 21.829	€ 22.433	€ 23.162	€ 24.132	€ 24.735	€ 25.338	€ 28.202	€ 28.803	€ 29.780	€ 30.381	€ 30.979	€ 31.578	€ 32.466	€ 33.441	€ 1.587	€ 448
550 cm	€ 13.975	€ 15.009	€ 15.974	€ 16.638	€ 17.303	€ 20.204	€ 21.245	€ 21.906	€ 22.867	€ 23.523	€ 24.314	€ 25.343	€ 26.002	€ 26.661	€ 29.677	€ 30.335	€ 31.369	€ 32.021	€ 32.681	€ 33.338	€ 34.281	€ 35.313	€ 1.689	€ 489
600 cm	€ 14.461	€ 15.551	€ 16.574	€ 17.296	€ 18.017	€ 21.070	€ 22.167	€ 22.886	€ 23.905	€ 24.613	€ 25.466	€ 26.550	€ 27.266	€ 27.982	€ 31.150	€ 31.864	€ 32.954	€ 33.657	€ 34.380	€ 35.092	€ 36.094	€ 37.181	€ 1.791	€ 530
650 cm	€ 14.915	€ 15.836	€ 16.866	€ 17.785	€ 18.521	€ 21.686	€ 22.604	€ 23.520	€ 24.551	€ 25.272	€ 26.134	€ 27.232	€ 27.957	€ 28.681	€ 32.149	€ 32.873	€ 33.787	€ 34.505	€ 35.419	€ 36.144	€ 37.158	€ 38.065	€ 1.892	€ 571
700 cm	€ 15.370	€ 16.120	€ 17.160	€ 18.276	€ 19.024	€ 22.303	€ 23.040	€ 24.153	€ 25.198	€ 25.934	€ 26.803	€ 27.914	€ 28.648	€ 29.381	€ 33.149	€ 33.880	€ 34.620	€ 35.351	€ 36.457	€ 37.196	€ 38.224	€ 38.951	€ 1.994	€ 613
750 cm	€ 15.645	€ 16.403	€ 17.456	€ 18.586	€ 19.338	€ 22.730	€ 23.480	€ 24.603	€ 25.660	€ 26.404	€ 27.288	€ 28.406	€ 29.153	€ 29.900	€ 33.776	€ 34.520	€ 35.270	€ 36.014	€ 37.127	€ 37.880	€ 38.915	€ 39.657	€ 2.095	€ 654
800 cm	€ 15.918	€ 16.685	€ 17.751	€ 18.895	€ 19.650	€ 23.155	€ 23.919	€ 25.049	€ 26.120	€ 26.872	€ 27.769	€ 28.897	€ 29.658	€ 30.418	€ 34.399	€ 35.158	€ 35.916	€ 36.674	€ 37.794	€ 38.561	€ 39.604	€ 40.360	€ 2.197	€ 695
850 cm	€ 16.201	€ 16.982	€ 18.058	€ 19.208	€ 19.983	€ 23.594	€ 24.368	€ 25.510	€ 26.590	€ 27.356	€ 28.261	€ 29.402	€ 30.176	€ 30.945	€ 35.033	€ 35.804	€ 36.577	€ 37.342	€ 38.476	€ 39.251	€ 40.308	€ 41.072	€ 2.299	€ 737
900 cm	€ 16.484	€ 17.279	€ 18.362	€ 19.521	€ 20.314	€ 24.033	€ 24.814	€ 25.971	€ 27.059	€ 27.839	€ 28.752	€ 29.905	€ 30.693	€ 31.471	€ 35.665	€ 36.450	€ 37.234	€ 38.009	€ 39.157	€ 39.940	€ 41.010	€ 41.783	€ 2.400	€ 778
950 cm	€ 16.757	€ 17.560	€ 18.657	€ 19.830	€ 20.631	€ 24.461	€ 25.256	€ 26.421	€ 27.516	€ 28.311	€ 29.238	€ 30.398	€ 31.200	€ 31.986	€ 36.290	€ 37.089	€ 37.883	€ 38.671	€ 39.828	€ 40.623	€ 41.702	€ 42.488	€ 2.502	€ 819
1000 cm	€ 17.028	€ 17.840	€ 18.950	€ 20.135	€ 20.945	€ 24.887	€ 25.696	€ 26.868	€ 27.973	€ 28.780	€ 29.720	€ 30.890	€ 31.704	€ 32.500	€ 36.915	€ 37.726	€ 38.528	€ 39.329	€ 40.494	€ 41.303	€ 42.390	€ 43.189	€ 2.603	€ 860
1050 cm	€ 17.299	€ 18.120	€ 19.242	€ 20.440	€ 21.260	€ 25.313	€ 26.135	€ 27.316	€ 28.430	€ 29.249	€ 30.203	€ 31.382	€ 32.209	€ 33.014	€ 37.539	€ 38.363	€ 39.173	€ 39.988	€ 41.160	€ 41.983	€ 43.077	€ 43.890	€ 2.705	€ 902
1100 cm	€ 17.569	€ 18.401	€ 19.535	€ 20.745	€ 21.574	€ 25.739	€ 26.575	€ 27.763	€ 28.886	€ 29.718	€ 30.686	€ 31.874	€ 32.713	€ 33.528	€ 38.163	€ 38.999	€ 39.817	€ 40.646	€ 41.826	€ 42.663	€ 43.765	€ 44.592	€ 2.807	€ 943
1150 cm	€ 17.840	€ 18.681	€ 19.828	€ 21.050	€ 21.889	€ 26.164	€ 27.015	€ 28.210	€ 29.343	€ 30.187	€ 31.169	€ 32.366	€ 33.218	€ 34.042	€ 38.787	€ 39.636	€ 40.462	€ 41.305	€ 42.492	€ 43.342	€ 44.452	€ 45.293	€ 2.907	€ 985
1200 cm	€ 18.111	€ 18.962	€ 20.121	€ 21.355	€ 22.203	€ 26.590	€ 27.454	€ 28.658	€ 29.799	€ 30.656	€ 31.652	€ 32.858	€ 33.722	€ 34.556	€ 39.412	€ 40.273	€ 41.106	€ 41.963	€ 43.158	€ 44.022	€ 45.140	€ 45.994	€ 3.009	€ 1.026

FS3	€ 241	€ 252	€ 275	€ 302	€ 327	€ 352	€ 377	€ 402	€ 427	€ 452	€ 581	€ 606	€ 631	€ 656	€ 683	€ 708	€ 733	€ 758	€ 783	€ 808	€ 833	€ 858
FS5-A	€ 44	€ 56	€ 65	€ 75	€ 87	€ 96	€ 108	€ 117	€ 129	€ 139	€ 150	€ 160	€ 171	€ 181	€ 192	€ 202	€ 214	€ 223	€ 235	€ 244	€ 256	€ 266
FS5-E	€ 61	€ 77	€ 90	€ 103	€ 119	€ 132	€ 148	€ 162	€ 178	€ 191	€ 207	€ 220	€ 236	€ 249	€ 265	€ 278	€ 294	€ 307	€ 323	€ 336	€ 352	€ 366

FS3	Gutter System (For One Side)
FS5-A	Additional Fabric Support Profile (Standard)
FS5-E	Additional Fabric Support Profile (3 Axis)
FS4	Additional Rail for Compact Series- Al. - 75x120mm
FS8	Lighting System
FS9-C	Side Beam for Compact Series- Al. - 80x130mm

FS8	
FS8-S	SPOT
FS8-L	LINEAR
FS8-LR (RGB)	LINEAR (RGB)

LED TYPE & MODULE		
2 LED	3 LED	4 LED
€ 136	€ 165	€ 194
€ 194	€ 252	
€ 247	€ 320	

### Notes:

- Any Side Beam is not included in the price.
- FS Flexy Plain/3D or Stam 6002 is included in the price.
- Motor and Remote control is included in the price.
- Palmiye Aluminium Coating Catalogue includes the standard colours with no extra cost. For any other type/brand/colour of paint, price difference and additional delivery duration shall be checked from your customer representative.
- Standard fabric support profile plastic colours are specified in Palmiye Aluminium Coating Catalogue.
- The gutter option price is for one side and must be added separately for each side.
- In pergolas including steel front pillars, if gutter option is preferred, external water drainage points will be specified according to the Project and will be priced additionally.

### DEDUCTIONS

Price deduction is applicable only for back pillars and back beam. Deduction amount shall be consider as 70% of related option price.

## OPTIONS

FS10-150ST3	Extra pillar (150x150x3mm St.)	€ 980	pcs
FS10-150ST5	Extra pillar (150x150x5mm St.)	€ 1.370	pcs
FS10-150ST5-H	Extra Half pillar (150x150x5mm St.)	€ 165	pcs
FS11	Deco ceiling cover	€ 72	m <sup>2</sup>
FS15-C	Side beam pillar (80x80mm - Al)	€ 403	pcs
FS19	Fix louver	€ 75	lm
FS24	W96 Ceiling Cover	€ 84	m <sup>2</sup>
FS26	Exclusive fabric difference (up to 800cm width)	€ 49	m <sup>2</sup>
FS28-1	Stainless steel chain - 100 cm	€ 79	1m
FS28-2	Stainless steel chain - 200 cm	€ 153	2m
FS28-3	Stainless steel chain - 300 cm	€ 224	3m
FS28-4	Stainless steel chain - 400 cm	€ 298	4m
FS29-1	Sun Sensor (SUNIS) (for single motor)	€ 621	pcs
FS29-1S	Sun Sensor (SUNIS) (for synchronized motor)	€ 990	pcs
FS29-2	Wind Sensor (EOLIS RTS) (for single motor)	€ 293	pcs
FS29-2S	Wind Sensor (EOLIS RTS) (for synchronized motor)	€ 658	pcs
FS29-3	Sun and Wind Sensor (SOLIRIS RTS) (for single motor)	€ 331	pcs
FS29-3S	Sun and Wind Sensor (SOLIRIS RTS) (for synchronized motor)	€ 696	pcs
FS29-42	Rain Sensor (ONDEIS) (for single motor)	€ 574	pcs
FS29-4S3	Rain Sensor (ONDEIS) (for synchronized motor)	€ 938	pcs
FS30	CONNEXOON	€ 525	pcs

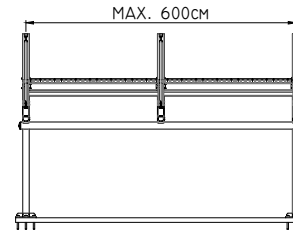
### Notes:

1. Fabric support profiles can be painted in the same color as the general construction. No fee is paid for this process. However, the plastic color should be specified from our standard plastic colours in Palmiye Color Chart.
2. For one product, a dry contact transmitter costing 368€, must be added.
3. Up to 5 products, a RS485 Automation interface dry contact transmitter costing 1126€, must be added.

## EXTENSIONS

Rail	Compact - 75x120mm	€ 206	lm
Beam	Al. 40x120mm	€ 65	lm
Beam	Al. 42x150mm	€ 105	lm
Beam	Al. 50x150mm	€ 186	lm
Beam	Al. 80x130mm	€ 98	lm
Beam	Al. 100x150mm	€ 155	lm
Beam	St. 100x150x3mm	€ 320	lm
Beam	St. 100x150x5mm	€ 388	lm
Beam	St. 100x200x3mm	€ 325	lm
Beam	St. 100x200x5mm	€ 462	lm
Fabric protection cover	Al. - 63x__cm	€ 60	m <sup>2</sup>
Gutter	Special Profile	€ 45	lm

\*Max. St 3mm. Pillar (St. 100x100x3mm) height is 380cm  
 \*Max. St. 5mm Pillar (St. 100x100x5mm) height is 480cm



- The front beam can not be produced in steel.
- Ground flanges are 380x380x15 mm.
- When pillar reduction is applied, half pillar must be installed at the back of each rail shaft, and steel back pillars and back beam should be 150x150 mm.
- In condition of adding an additional rail, a steel 150x150x3m back pillar should also be added.

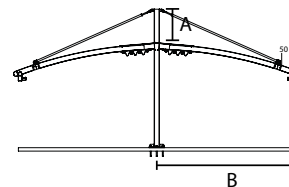
## PRICE DIFFERENCE

PILLAR GROUP			
Pillar	Standard	St. 150x150x3mm	
		to	St. 150x150x5mm

## STANDARD CONSTRUCTION

		WIDTH																									
		250	300	350	400	450	500	550	600	650	700	750	800	850	900	950	1000	1050	1100	1150	1200	1250	1300				
PROJECTION	400 cm																									Pillars & Back Beam 150x150x3mm Steel 150x150x5mm Steel	
	500 cm																										
	600 cm																										
	700 cm																										
	800 cm																										
	900 cm																										
	1000 cm																										
	1100 cm																										
	1200 cm																										
	1250 cm																										
	1300 cm																										

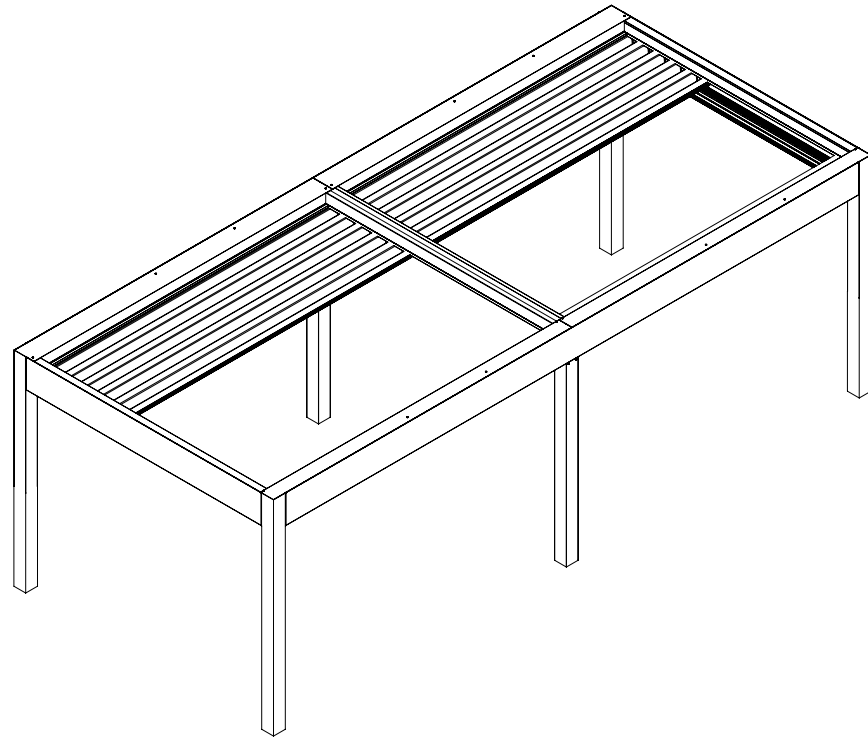
- \* In case of reducing middle pillars, distance between the pillars can be maximum 600 cm.
- \*\* Steel with a wall thickness of 5 mm must be used in all cases where the pillar is reduced.



## MINIMUM "A" VALUES

B (cm)	250	300	350	400	450	500	550	600
A (cm)	50	50	50	60	70	80	90	100

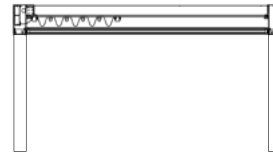
Upper values will be evaluated on a project basis.



**SATIN S**

## PRODUCT FORMS

- SATIN S

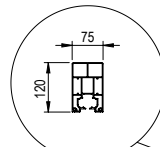


# SATIN S

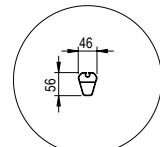


## MAXIMUM DIMENSIONS

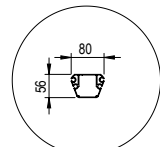
	WIDTH	PROJECTION
Single Fabric	400 cm	800 cm
Double Fabric	800 cm	600 cm



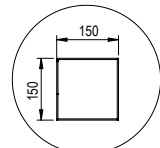
ALM.PRF.P1018  
Aluminum Rail Profile



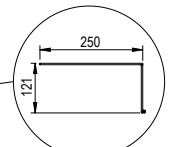
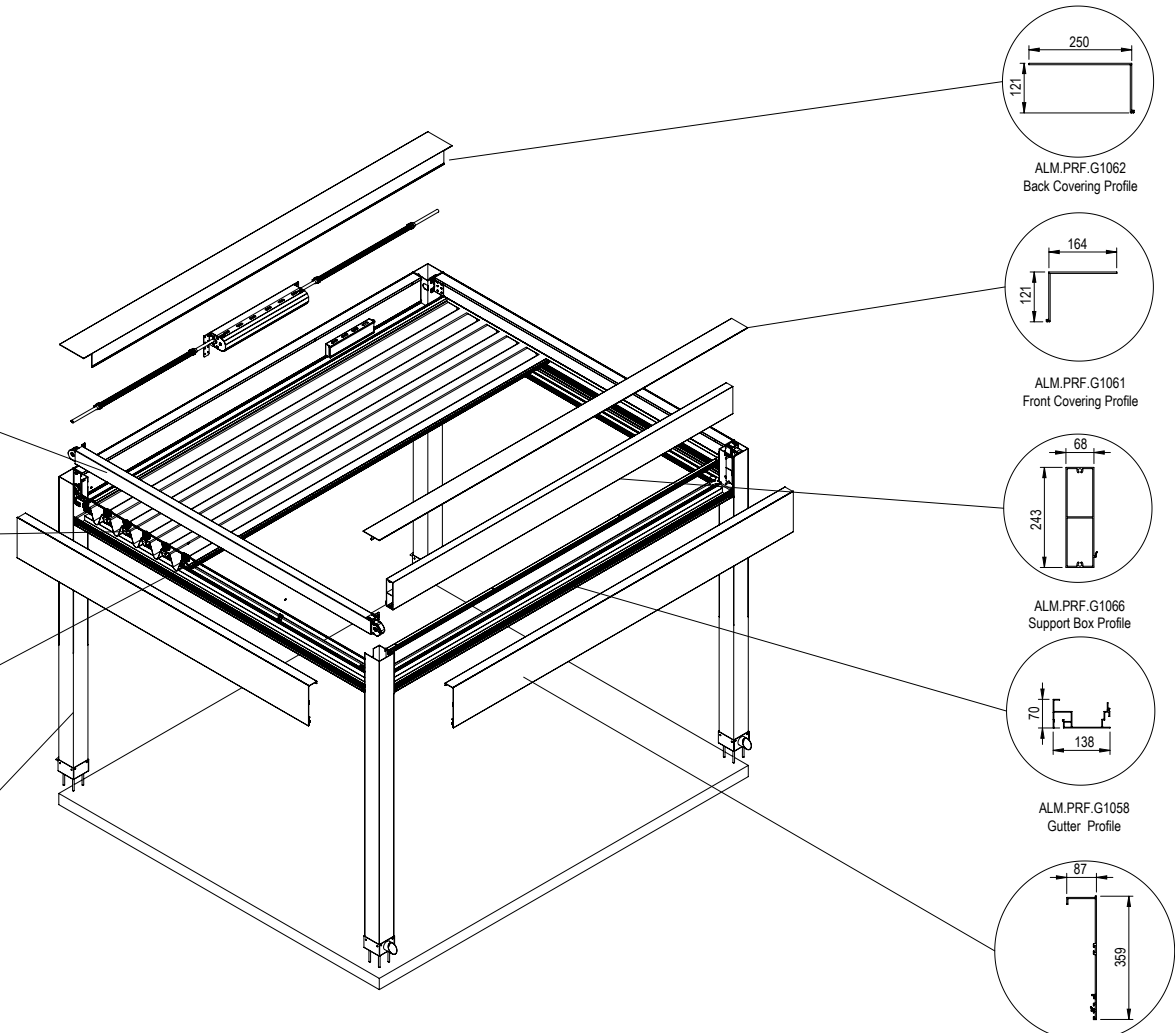
ALM.PRF.P1002  
Aluminum fabric profile | Single channeled



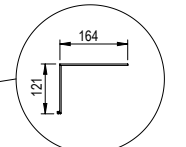
ALM.PRF.P1001  
Aluminum fabric profile | Double channeled



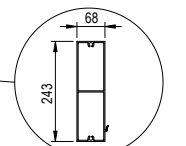
ALM.PRF.G4033  
Aluminum pillar profile | 150x150mm



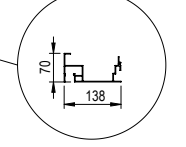
ALM.PRF.G1062  
Back Covering Profile



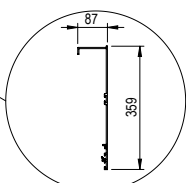
ALM.PRF.G1061  
Front Covering Profile



ALM.PRF.G1066  
Support Box Profile



ALM.PRF.G1058  
Gutter Profile



ALM.PRF.G1059  
Face Profile

# TECHNICAL FEATURES

## COLLECTED FABRIC DIMENSIONS

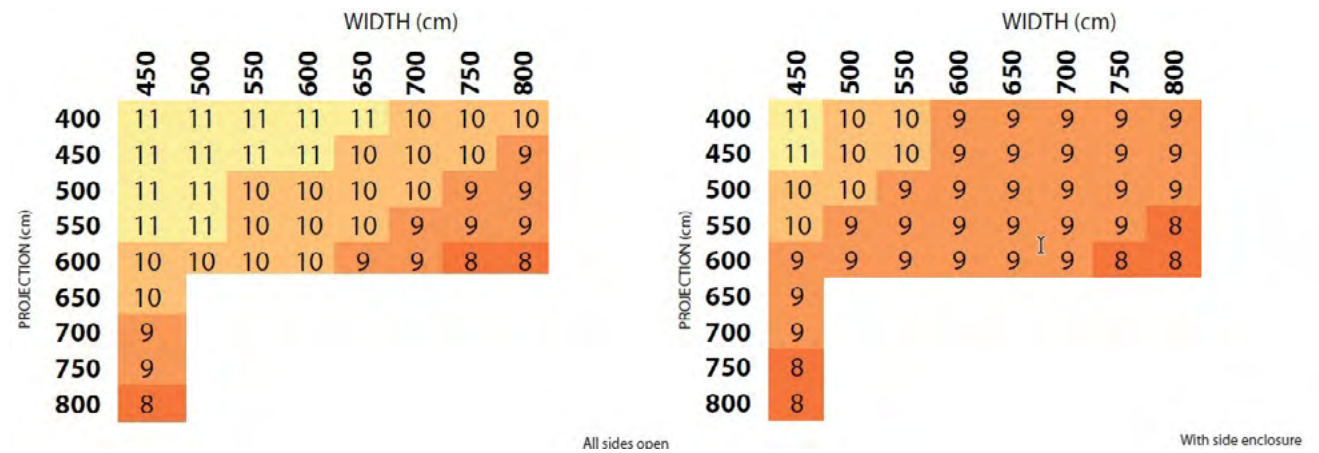


Carrier Q'ty	Collected dimension (Fabric)	Total Projection	Parking area
7	61cm	250cm	24%
8	67cm	282cm	24%
9	74cm	314cm	23%
10	80cm	346cm	23%
11	87cm	378cm	23%
12	93cm	410cm	23%
13	100cm	442cm	23%
14	106cm	474cm	22%
15	113cm	506cm	22%
16	119cm	538cm	22%
17	126cm	570cm	22%
18	132cm	602cm	22%
19	139cm	634cm	22%
29	145cm	666cm	22%
21	152cm	698cm	22%
22	158cm	730cm	22%
23	165cm	762cm	22%
24	171cm	794cm	22%

## DRAINAGE CALCULATION

For each fabric;  
 If ceiling area is smaller than 20 m<sup>2</sup>, one water outlet point ,  
 If ceiling area is bigger than 20 m<sup>2</sup>, two water outlet points  
 should be applied to the system.

## WIND RESISTANCE

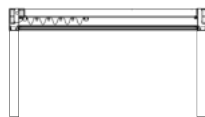


\*The values are given according to the Beaufort scale.

\*\*Calculated for Products with a front height of 250 cm according to Eurocode EN 1991-1-4 Terrain Category 4.

\*\*\* You can ask for new calculations for special designs.

# SATIN S



Projection	Width											
	SINGLE FABRIC				DOUBLE FABRIC							
	250 cm	300 cm	350 cm	400 cm	450 cm	500 cm	550 cm	600 cm	650 cm	700 cm	750 cm	800 cm
200 cm	€ 9.808	€ 10.221	€ 10.790	€ 11.370	€ 13.638	€ 14.346	€ 15.384	€ 16.491	€ 17.672	€ 17.793	€ 18.963	€ 19.051
250 cm	€ 10.268	€ 10.888	€ 11.444	€ 11.872	€ 14.940	€ 15.698	€ 16.747	€ 17.845	€ 19.081	€ 19.163	€ 20.349	€ 20.438
300 cm	€ 10.991	€ 11.682	€ 12.401	€ 12.901	€ 15.425	€ 16.216	€ 17.257	€ 18.387	€ 19.623	€ 19.707	€ 20.922	€ 21.012
350 cm	€ 11.658	€ 12.165	€ 12.903	€ 13.612	€ 16.559	€ 17.465	€ 18.610	€ 19.785	€ 21.122	€ 21.281	€ 22.598	€ 22.762
400 cm	€ 12.228	€ 12.752	€ 13.498	€ 14.129	€ 16.901	€ 17.843	€ 18.969	€ 20.146	€ 21.499	€ 21.659	€ 22.990	€ 23.157
450 cm	€ 12.914	€ 13.459	€ 14.140	€ 14.772	€ 17.604	€ 18.561	€ 19.689	€ 20.867	€ 22.249	€ 22.411	€ 23.772	€ 23.940
500 cm	€ 13.419	€ 13.980	€ 14.673	€ 15.086	€ 17.762	€ 18.727	€ 19.857	€ 21.036	€ 22.433	€ 22.596	€ 23.973	€ 24.142
550 cm	€ 14.209	€ 15.041	€ 15.806	€ 16.177	€ 18.806	€ 19.819	€ 20.951	€ 22.132	€ 23.559	€ 23.723	€ 25.129	€ 25.300
600 cm	€ 14.349	€ 15.174	€ 15.937	€ 16.860	€ 18.957	€ 19.979	€ 21.111	€ 22.294	€ 23.735	€ 23.902	€ 25.323	€ 25.495
650 cm	€ 15.399	€ 16.272	€ 17.075	€ 17.653								
700 cm	€ 15.531	€ 16.396	€ 17.192	€ 18.047								
750 cm	€ 16.514	€ 17.385	€ 18.189	€ 19.207								
800 cm	€ 16.890	€ 17.812	€ 18.664	€ 19.542								
FS5-A	€ 44	€ 56	€ 65	€ 75	€ 87	€ 96	€ 108	€ 117	€ 129	€ 139	€ 150	€ 160

FS9 (Side Beam Al.- 50x150mm)	FS9-2 (Side Beam Al.- 100x150mm)	FS9-3 (Side Beam Al.- 150x150mm)
€ 242	€ 191	€ 253
€ 292	€ 223	€ 294
€ 343	€ 256	€ 335
€ 393	€ 288	€ 376
€ 443	€ 320	€ 417
€ 493	€ 353	€ 458
€ 543	€ 385	€ 499
€ 593	€ 418	€ 540
€ 643	€ 450	€ 581
€ 693	€ 483	€ 622
€ 743	€ 515	€ 663
€ 793	€ 548	€ 704
€ 843	€ 580	€ 745

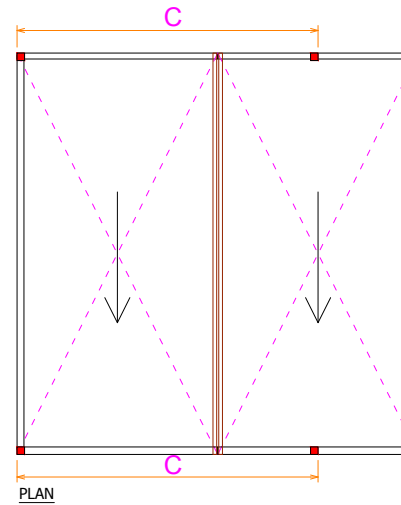
FS5-A	Additional Fabric Support Profile (Standard)	LED TYPE & MODULE		
FS8	Lighting System	FS8		
FS9	Side Beam Al.-50x150mm	2 LED	3 LED	4 LED
FS9-2	Side Beam Al.-100x150mm	€ 136	€ 165	€ 194
FS9-3	Side Beam Al.-150x150mm	€ 194	€ 252	
		FS8-S	SPOT	
		FS8-L	LINEAR	
		FS8-LR (RGB)	LINEAR (RGB)	
		€ 247	€ 320	

## Notes:

- Any Side Beam is not included in the price.
- FS Flexy Plain/3D or Stam 6002 is included in the price.
- Motor and Remote control is included in the price.
- Palmiye Aluminium Coating Catalogue includes the standard colours with no extra cost. For any other type/brand/color of paint, price difference and additional delivery duration shall be checked from your customer representative.
- Standard fabric support profile plastic colours are specified in Palmiye Aluminium Coating Catalogue.
- RGB colours only applicable in linear lighting option.

## OPTIONS

FS10	Extra pillar (100x100mm Al.)	€ 548	pcs
FS15	Side beam pillar (50x100mm - Al)	€ 284	pcs
FS15-B	Side beam pillar (100x100mm - Al)	€ 548	pcs
FS19	Fix louver	€ 75	lm
FS24	W96 Ceiling Cover	€ 84	m <sup>2</sup>
FS25 <sup>1</sup>	Fabric support profile special color	€ 18	m <sup>2</sup>
FS29-1	Sun Sensor (SUNIS) (for single motor)	€ 621	pcs
FS29-2	Wind Sensor (EOLIS RTS) (for single motor)	€ 293	pcs
FS29-3	Sun and Wind Sensor (SOLIRIS RTS) (for single motor)	€ 331	pcs
FS29-4 <sup>2</sup>	Rain Sensor (ONDEIS) (for single motor)	€ 574	pcs
FS30	CONNEXOON	€ 525	pcs
BP4	Perimeter LED	€ 80	lm
BP4-RGB	Perimeter RGB LED	€ 88	lm
BP5-B	Extra Pillar (150x150x3 mm - Al)	€ 403	set
BP14-P1	Hidden Anchorage set for Plus - Prestige (with drainage)	€ 112	set
BP14-P2	Hidden Anchorage set for Plus - Prestige (without drainage)	€ 57	set

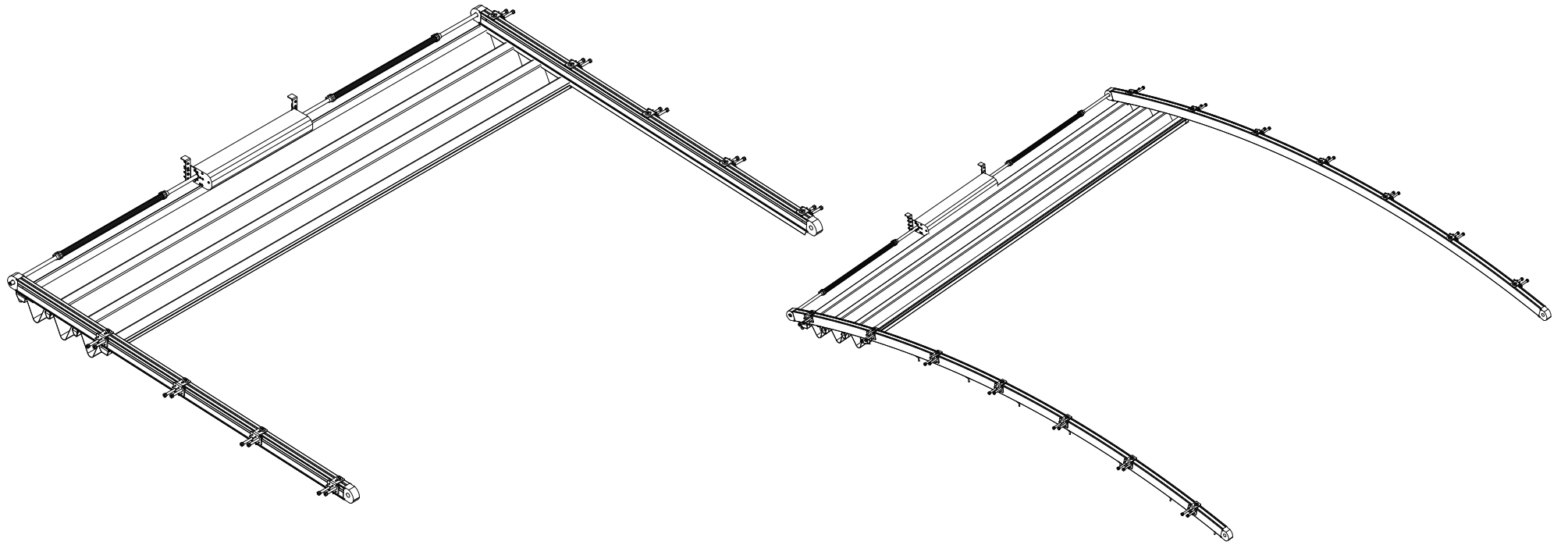


In double fabric type, C dimension can be maximum 6m without any support pillar.

The pergola height can be max. 350cm

### Notes:

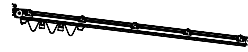
1. Fabric support profiles can be painted in the same color as the general construction. No fee is paid for this process. However, the plastic color should be specified from our standard plastic colours in Palmiye Color Chart.
2. For one product, a dry contact transmitter costing 368€, must be added.
3. Up to 5 products, a RS485 Automation interface dry contact transmitter costing 1126€, must be added.
4. Not possible to mount the gutter profile on top of a steel construction.
5. Module combination can not be made.



**LEGEND**

## PRODUCT FORMS

- Legend Flat



- 
- Legend Rounded



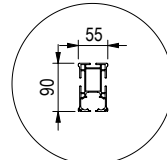
# LEGEND

## Flat



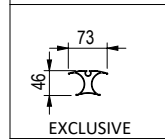
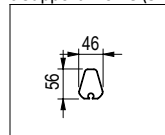
### MAXIMUM DIMENSIONS

	WIDTH	PROJECTION
2 RAILS	450 cm	1000 cm
3 RAILS	900 cm	1000 cm
4 RAILS	1300 cm	700 cm



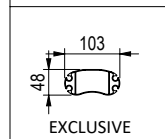
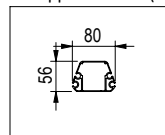
ALM.PRF.P1004  
Rail

ALM.PRF.P1002  
Fabric Support Profile (Single)

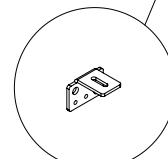


ALM.PRF.G1101  
Fabric Support Profile (Single)

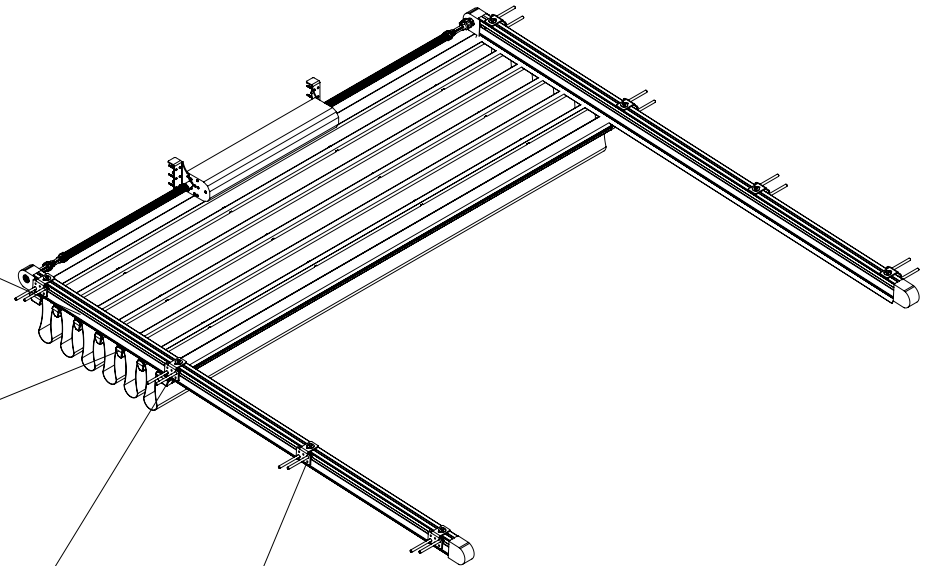
ALM.PRF.P1001  
Fabric Support Profile (Double)



ALM.PRF.G1102  
Fabric Support Profile (Double)

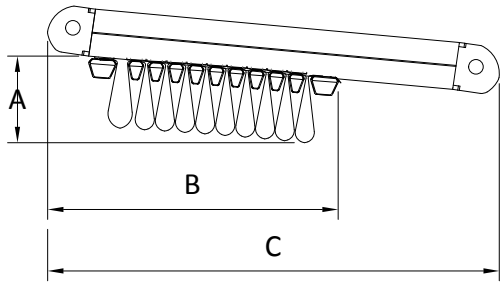


DMR.APR.P1037  
Hanging Apparatus



# TECHNICAL FEATURES

## COLLECTED FABRIC DIMENSIONS

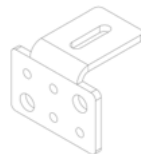


### TILTED VERSION

Projection cm

No of Fabric Support Profiles	185	235	284	334	383	433	482	532	581	631	680	729	779	828	878	927	977	C
4	34																	61
5		35																68
6			36															74
7				37														81
8					38													87
9						39												94
10							40											100
11								41										107
12									42									113
14										44								126
15											45							133
16												46						139
17													47					146
18														48				152
19															49			159
20																50		165
21																	51	172

\*Calculated according to a slope of 15%



- Number of wall bracket calculation: Projection /150cm.
- Legend model can be flat or inclined.

## MINIMUM SLOPE CHART

Slope	6,4-7,9%	7,4-8,8%	8,4-9,7%	9,4-10,8%	10,4-12%	11,2-12,7%	12-13,4%	13-14,5%	14-15,7%	15-16,6%	16-17,6%
Rail Center											
	<b>200</b>	<b>225</b>	<b>250</b>	<b>275</b>	<b>300</b>	<b>325</b>	<b>350</b>	<b>375</b>	<b>400</b>	<b>425</b>	<b>450</b>
<b>250</b>	16	19	21	24	26	28	30	33	35	38	40
<b>300</b>	20	23	26	29	31	34	37	40	42	45	48
<b>350</b>	23	27	30	34	37	40	43	46	49	53	56
<b>400</b>	27	31	35	39	42	46	49	53	57	61	64
<b>450</b>	32	36	40	44	48	52	56	60	64	69	73
<b>500</b>	36	41	45	50	54	59	63	68	72	77	81
<b>550</b>	40	45	50	55	60	65	70	75	80	85	90
<b>600</b>	44	50	55	61	66	72	77	83	88	94	99
<b>650</b>	49	55	61	67	72	78	84	90	96	102	108
<b>700</b>	54	60	66	73	79	85	91	98	104	111	117
<b>750</b>	59	66	72	79	85	92	99	106	112	119	126
<b>800</b>	63	70	77	85	92	99	106	114	121	129	136
<b>850</b>	67	75	82	91	99	106	113	122	130	138	146
<b>900</b>	71	79	87	97	106	113	120	130	139	148	156
<b>950</b>	75	84	92	103	113	120	127	138	148	157	166
<b>1000</b>	79	88	97	109	120	127	134	146	157	167	176

\*Note: Max. slope can be up to 25%

# LEGEND Flat



Projection	Width																				FS4-SP	FS21		
	2 RAILS					3 RAILS										4 RAILS								
	250 cm	300 cm	350 cm	400 cm	450 cm	500 cm	550 cm	600 cm	650 cm	700 cm	750 cm	800 cm	850 cm	900 cm	950 cm	1000 cm	1050 cm	1100 cm	1150 cm	1200 cm	1250 cm	1300 cm		
200 cm	€ 4.358	€ 4.573	€ 4.876	€ 5.184	€ 5.400	€ 6.354	€ 6.565	€ 6.775	€ 7.174	€ 7.351	€ 7.499	€ 7.706	€ 7.915	€ 8.126	€ 9.178	€ 9.384	€ 9.593	€ 9.801	€ 10.010	€ 10.172	€ 10.450	€ 10.773	€ 1.679	€ 396
250 cm	€ 4.538	€ 4.869	€ 5.164	€ 5.386	€ 5.609	€ 6.654	€ 6.988	€ 7.203	€ 7.498	€ 7.681	€ 7.836	€ 8.166	€ 8.498	€ 8.597	€ 9.615	€ 9.830	€ 10.159	€ 10.373	€ 10.590	€ 10.757	€ 11.045	€ 11.373	€ 1.800	€ 495
300 cm	€ 4.864	€ 5.235	€ 5.568	€ 5.829	€ 6.090	€ 7.270	€ 7.642	€ 7.900	€ 8.233	€ 8.452	€ 8.648	€ 9.016	€ 9.389	€ 9.530	€ 10.655	€ 10.911	€ 11.281	€ 11.534	€ 11.792	€ 11.990	€ 12.317	€ 12.684	€ 1.923	€ 595
350 cm	€ 5.161	€ 5.428	€ 5.768	€ 6.146	€ 6.413	€ 7.693	€ 7.961	€ 8.338	€ 8.681	€ 8.904	€ 9.107	€ 9.484	€ 9.868	€ 10.014	€ 11.333	€ 11.596	€ 11.861	€ 12.121	€ 12.497	€ 12.704	€ 13.038	€ 13.300	€ 2.047	€ 693
400 cm	€ 5.348	€ 5.624	€ 5.971	€ 6.354	€ 6.631	€ 8.003	€ 8.277	€ 8.663	€ 9.011	€ 9.242	€ 9.454	€ 9.838	€ 10.226	€ 10.382	€ 11.784	€ 12.054	€ 12.327	€ 12.595	€ 12.978	€ 13.193	€ 13.533	€ 13.802	€ 2.170	€ 793
450 cm	€ 5.541	€ 5.824	€ 6.179	€ 6.570	€ 6.853	€ 8.321	€ 8.604	€ 8.998	€ 9.353	€ 9.592	€ 9.811	€ 10.202	€ 10.598	€ 10.761	€ 12.248	€ 12.525	€ 12.803	€ 13.081	€ 13.473	€ 13.689	€ 14.040	€ 14.315	€ 2.293	€ 891
500 cm	€ 5.731	€ 6.021	€ 6.383	€ 6.782	€ 7.072	€ 8.634	€ 8.924	€ 9.325	€ 9.690	€ 9.932	€ 10.160	€ 10.559	€ 10.962	€ 11.133	€ 12.703	€ 12.988	€ 13.274	€ 13.557	€ 13.957	€ 14.180	€ 14.537	€ 14.821	€ 2.416	€ 991
550 cm	€ 6.065	€ 6.503	€ 6.902	€ 7.339	€ 7.668	€ 9.377	€ 9.818	€ 10.146	€ 10.666	€ 10.944	€ 11.210	€ 11.650	€ 12.094	€ 12.417	€ 13.967	€ 14.309	€ 14.750	€ 15.073	€ 15.511	€ 15.766	€ 16.162	€ 16.599	€ 2.540	€ 1.089
600 cm	€ 6.260	€ 6.705	€ 7.114	€ 7.558	€ 7.892	€ 9.695	€ 10.148	€ 10.483	€ 11.008	€ 11.293	€ 11.566	€ 12.013	€ 12.466	€ 12.797	€ 14.447	€ 14.780	€ 15.227	€ 15.559	€ 16.005	€ 16.265	€ 16.670	€ 17.116	€ 2.663	€ 1.189
650 cm	€ 6.450	€ 6.903	€ 7.318	€ 7.769	€ 8.114	€ 10.011	€ 10.471	€ 10.813	€ 11.347	€ 11.589	€ 11.865	€ 12.320	€ 12.773	€ 13.115	€ 14.907	€ 15.247	€ 15.643	€ 16.041	€ 16.495	€ 16.761	€ 17.172	€ 17.626	€ 2.786	€ 1.287
700 cm	€ 6.641	€ 7.100	€ 7.523	€ 7.983	€ 8.333	€ 10.326	€ 10.791	€ 11.145	€ 11.685	€ 11.929	€ 12.217	€ 12.679	€ 13.144	€ 13.487	€ 15.365	€ 15.712	€ 16.173	€ 16.523	€ 16.985	€ 17.255	€ 17.676	€ 18.136	€ 2.909	€ 1.385
750 cm	€ 6.833	€ 7.299	€ 7.728	€ 8.195	€ 8.552	€ 10.641	€ 11.114	€ 11.473	€ 12.024	€ 12.273	€ 12.566	€ 13.034	€ 13.506	€ 13.859	€ 15.824	€ 16.178	€ 16.648	€ 17.004	€ 17.473	€ 17.750	€ 18.178	€ 3.032	€ 1.485	
800 cm	€ 7.168	€ 7.673	€ 8.139	€ 8.644	€ 9.040	€ 11.269	€ 11.783	€ 12.180	€ 12.769	€ 13.054	€ 13.387	€ 13.894	€ 14.404	€ 14.800	€ 16.881	€ 17.275	€ 17.783	€ 18.178	€ 18.688	€ 18.999	€ 19.310	€ 19.721	€ 3.156	€ 1.584
850 cm	€ 7.501	€ 8.047	€ 8.550	€ 9.094	€ 9.530	€ 11.896	€ 12.451	€ 12.887	€ 13.517	€ 13.834	€ 14.207	€ 14.755	€ 15.301	€ 15.740	€ 17.939	€ 18.370	€ 18.920	€ 19.353	€ 19.903	€ 20.214	€ 20.625	€ 21.036	€ 3.282	€ 1.683
900 cm	€ 7.836	€ 8.420	€ 8.961	€ 9.543	€ 10.018	€ 12.524	€ 13.120	€ 13.594	€ 14.263	€ 14.615	€ 15.029	€ 15.613	€ 16.201	€ 16.681	€ 18.994	€ 19.466	€ 20.056	€ 20.526	€ 21.036	€ 21.546	€ 22.056	€ 22.566	€ 3.411	€ 1.782
950 cm	€ 8.171	€ 8.792	€ 9.372	€ 9.993	€ 10.507	€ 13.152	€ 13.788	€ 14.303	€ 15.009	€ 15.394	€ 15.851	€ 16.474	€ 17.098	€ 17.622	€ 20.051	€ 20.560	€ 21.192	€ 21.701	€ 22.210	€ 22.719	€ 23.228	€ 23.737	€ 3.538	€ 1.881
1000 cm	€ 8.505	€ 9.166	€ 9.782	€ 10.444	€ 10.995	€ 13.780	€ 14.457	€ 15.010	€ 15.756	€ 16.176	€ 16.671	€ 17.332	€ 17.998	€ 18.563	€ 21.108	€ 21.656	€ 22.204	€ 22.752	€ 23.300	€ 23.848	€ 24.396	€ 24.944	€ 3.666	€ 1.980
FS3	€ 241	€ 252	€ 275	€ 302	€ 327	€ 352	€ 377	€ 402	€ 427	€ 452	€ 581	€ 606	€ 631	€ 656	€ 683	€ 708	€ 733	€ 758	€ 783	€ 808	€ 833	€ 858	€ 1.089	€ 396
FS5-A	€ 44	€ 56	€ 65	€ 75	€ 87	€ 96	€ 108	€ 117	€ 129	€ 139	€ 150	€ 160	€ 171	€ 181	€ 192	€ 202	€ 214	€ 223	€ 235	€ 244	€ 256	€ 266	€ 336	€ 495
FS5-E	€ 61	€ 77	€ 90	€ 103	€ 119	€ 132	€ 148	€ 162	€ 178	€ 191	€ 207	€ 220	€ 236	€ 249	€ 265	€ 278	€ 294	€ 307	€ 323	€ 336	€ 352	€ 366	€ 465	€ 693
FS22	€ 185	€ 216	€ 246	€ 275	€ 306	€ 337	€ 368	€ 398	€ 427	€ 458	€ 489	€ 520	€ 550	€ 579	€ 610	€ 641	€ 672	€ 702	€ 731	€ 762	€ 793	€ 824	€ 1.038	€ 396

FS3	Gutter System
FS5-A	Additional Fabric Support Profile (Standard)
FS5-E	Additional Fabric Support Profile (3 Axis)
FS4-SP	Additional Rail for Legend Series- AL - 55x90mm
FS8	Lighting System
FS33	Z profile

FS8	
FS8-S	SPOT
FS8-L	LINEAR
FS8-LR (RGB)	LINEAR (RGB)

LED TYPE & MODULE		
2 LED	3 LED	4 LED
€ 136	€ 165	€ 194
€ 194	€ 252	
€ 247	€ 320	

### Notes:

1. FS Flexy Plain/3D or Stam 6002 is included in the price.
2. Motor and Remote control is included in the price.
3. Palmiye Aluminium Coating Catalogue includes the standard colours with no extra cost. For any other type/brand/coulor of paint, price difference and additional delivery duration shall be checked from your customer representative.
4. Standard fabric support profile plastic colours are specified in Palmiye Aluminium Coating Catalogue.
5. If the fabric trapezium is chosen, its max. width should be 900 cm.
6. Turquoise lines defines trapezium product dimension range for outdoor areas.
7. Standard wall brackets are included in the price. Any other special designed wall brackets will be priced additionally.

### DEDUCTIONS

Price deduction is applicable only for front & back pillars and side beam. Deduction amount shall be consider as 70% of related option price.

## OPTIONS

FS6	Trapezium ceiling cover (up to 900 cm width)	€ 95	m <sup>2</sup>
FS11	Deco ceiling cover	€ 72	m <sup>2</sup>
FS24	W96 Ceiling Cover	€ 84	m <sup>2</sup>
FS25 <sup>1</sup>	Fabric support profile special color	€ 18	m <sup>2</sup>
FS26	Exclusive fabric difference (up to 800cm width)	€ 49	m <sup>2</sup>
FS28-1	Stainless steel chain - 100 cm	€ 79	1m
FS28-2	Stainless steel chain - 200 cm	€ 153	2m
FS28-3	Stainless steel chain - 300 cm	€ 224	3m
FS28-4	Stainless steel chain - 400 cm	€ 298	4m
FS29-1	Sun Sensor (SUNIS) (for single motor)	€ 621	pcs
FS29-1S	Sun Sensor (SUNIS) (for synchronized motor)	€ 990	pcs
FS29-2	Wind Sensor (EOLIS RTS) (for single motor)	€ 293	pcs
FS29-2S	Wind Sensor (EOLIS RTS) (for synchronized motor)	€ 658	pcs
FS29-3	Sun and Wind Sensor (SOLIRIS RTS) (for single motor)	€ 331	pcs
FS29-3S	Sun and Wind Sensor (SOLIRIS RTS) (for synchronized motor)	€ 696	pcs
FS29-4 <sup>2</sup>	Rain Sensor (ONDEIS) (for single motor)	€ 574	pcs
FS29-4S <sup>3</sup>	Rain Sensor (ONDEIS) (for synchronized motor)	€ 938	pcs
FS30	CONNEXOON	€ 525	pcs

**Notes:**

1. Fabric support profiles can be painted in the same color as the general construction. No fee is paid for this process. However, the plastic color should be specified from our standard plastic colours in Palmiye Color Chart.

2. For one product, a dry contact transmitter costing 368€, must be added.

3. Up to 5 products, a RS485 Automation interface dry contact transmitter costing 1126€, must be added.

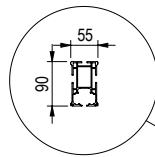
# LEGEND

## Rounded



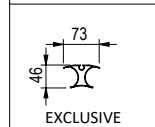
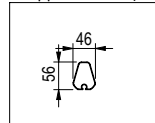
### MAXIMUM DIMENSIONS

	WIDTH	PROJECTION
2 RAILS	400 cm	800 cm
3 RAILS	800 cm	800 cm
4 RAILS	1200 cm	800 cm
4 RAILS	1300 cm	800 cm



ALM.PRF.P1004  
Rail

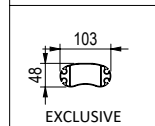
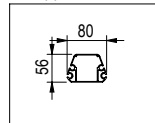
ALM.PRF.P1002  
Fabric Support Profile (Single)



EXCLUSIVE  
ALM.PRF.G1101

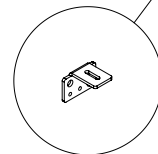
Fabric Support Profile (Single)

ALM.PRF.P1001  
Fabric Support Profile (Double)

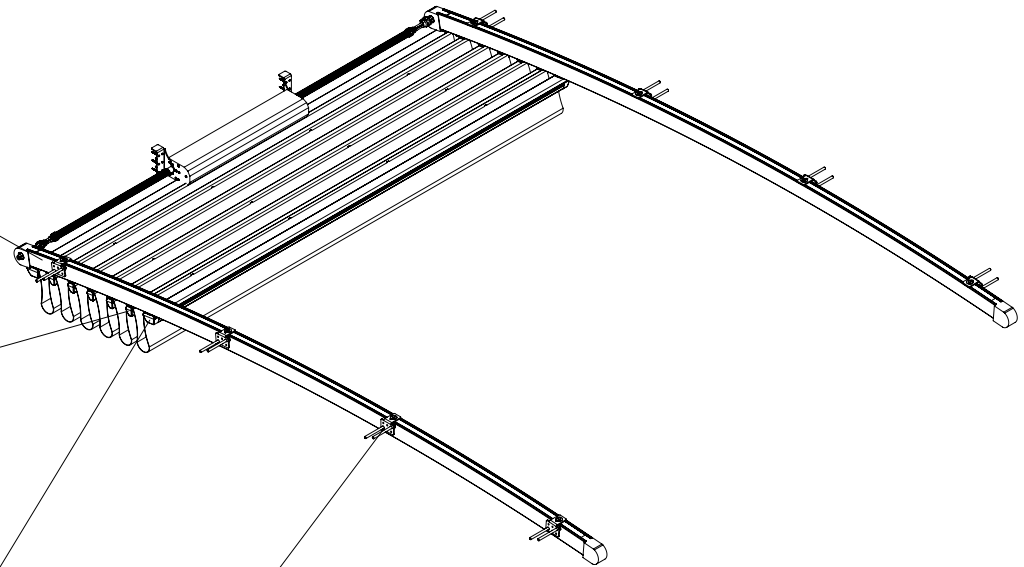


EXCLUSIVE  
ALM.PRF.G1102

Fabric Support Profile (Double)

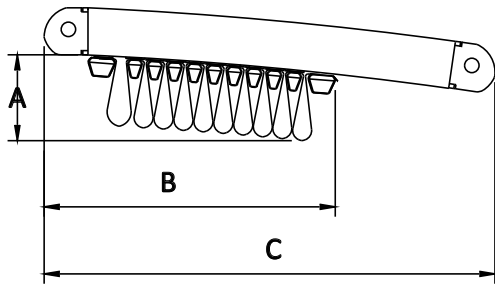


DMR.APR.P1037  
Hanging Apparatus



# TECHNICAL FEATURES

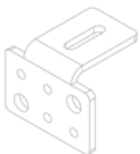
## COLLECTED FABRIC DIMENSIONS



TILTED VERSION		Projection cm
	200 250 300 350 400 450 500 550 600 650 700 750 800	<b>C</b>
No of Fabric Support Profiles	5	30 68
	6	31 74
	7	32 81
	9	34 94
	10	35 100
	11	36 107
	13	38 120
	14	39 127
	15	40 133
	17	42 146
	18	43 152
	19	44 159
	21	46 172

\*Calculated according to a slope of 15%

Number of wall bracket calculation: Projection /150cm.



# LEGEND Rounded

Width  
Projection

	2 RAILS				3 RAILS								4 RAILS								5 RAILS		FS4-SP
	250 cm	300 cm	350 cm	400 cm	450 cm	500 cm	550 cm	600 cm	650 cm	700 cm	750 cm	800 cm	850 cm	900 cm	950 cm	1000 cm	1050 cm	1100 cm	1150 cm	1200 cm	1250 cm	1300 cm	
200 cm	€ 5.811	€ 6.097	€ 6.501	€ 6.913	€ 7.198	€ 8.471	€ 8.752	€ 9.033	€ 9.565	€ 9.801	€ 9.997	€ 10.274	€ 10.554	€ 10.832	€ 12.235	€ 12.512	€ 12.789	€ 13.067	€ 13.344	€ 13.561	€ 13.932	€ 14.363	€ 1.679
250 cm	€ 6.050	€ 6.492	€ 6.884	€ 7.182	€ 7.478	€ 8.871	€ 9.316	€ 9.605	€ 9.995	€ 10.241	€ 10.446	€ 10.887	€ 11.329	€ 11.462	€ 12.820	€ 13.105	€ 13.547	€ 13.831	€ 14.119	€ 14.342	€ 14.727	€ 15.165	€ 1.800
300 cm	€ 6.487	€ 6.980	€ 7.423	€ 7.772	€ 8.119	€ 9.694	€ 10.190	€ 10.532	€ 10.976	€ 11.270	€ 11.530	€ 12.022	€ 12.517	€ 12.706	€ 14.207	€ 14.545	€ 15.042	€ 15.378	€ 15.721	€ 15.986	€ 16.422	€ 16.912	€ 1.923
350 cm	€ 6.881	€ 7.237	€ 7.691	€ 8.194	€ 8.549	€ 10.258	€ 10.613	€ 11.116	€ 11.575	€ 11.873	€ 12.141	€ 12.646	€ 13.160	€ 13.350	€ 15.111	€ 15.460	€ 15.813	€ 16.160	€ 16.662	€ 16.939	€ 17.384	€ 17.731	€ 2.047
400 cm	€ 7.129	€ 7.497	€ 7.960	€ 8.473	€ 8.840	€ 10.670	€ 11.036	€ 11.551	€ 12.015	€ 12.323	€ 12.604	€ 13.116	€ 13.632	€ 13.842	€ 15.711	€ 16.072	€ 16.435	€ 16.792	€ 17.305	€ 17.587	€ 18.044	€ 18.404	€ 2.170
450 cm	€ 7.388	€ 7.764	€ 8.237	€ 8.762	€ 9.138	€ 11.096	€ 11.472	€ 11.996	€ 12.471	€ 12.789	€ 13.081	€ 13.602	€ 14.130	€ 14.348	€ 16.329	€ 16.701	€ 17.071	€ 17.441	€ 17.963	€ 18.252	€ 18.718	€ 19.087	€ 2.293
500 cm	€ 7.640	€ 8.028	€ 8.510	€ 9.044	€ 9.429	€ 11.513	€ 11.896	€ 12.432	€ 12.919	€ 13.244	€ 13.545	€ 14.078	€ 14.617	€ 14.843	€ 16.936	€ 17.316	€ 17.698	€ 18.075	€ 18.609	€ 18.906	€ 19.384	€ 19.763	€ 2.416
550 cm	€ 8.087	€ 8.669	€ 9.203	€ 9.786	€ 10.222	€ 12.501	€ 13.092	€ 13.528	€ 14.220	€ 14.592	€ 14.945	€ 15.533	€ 16.125	€ 16.557	€ 18.620	€ 19.077	€ 19.664	€ 20.096	€ 20.680	€ 21.020	€ 21.548	€ 22.134	€ 2.540
600 cm	€ 8.347	€ 8.939	€ 9.485	€ 10.076	€ 10.521	€ 12.928	€ 13.530	€ 13.974	€ 14.677	€ 15.056	€ 15.422	€ 16.018	€ 16.620	€ 17.062	€ 19.262	€ 19.706	€ 20.302	€ 20.744	€ 21.338	€ 21.686	€ 22.225	€ 22.819	€ 2.663
650 cm	€ 8.600	€ 9.204	€ 9.757	€ 10.359	€ 10.818	€ 13.348	€ 13.960	€ 14.417	€ 15.130	€ 15.452	€ 15.820	€ 16.426	€ 17.030	€ 17.485	€ 19.874	€ 20.330	€ 20.857	€ 21.387	€ 21.993	€ 22.347	€ 22.897	€ 23.501	€ 2.786
700 cm	€ 8.854	€ 9.466	€ 10.030	€ 10.643	€ 11.109	€ 13.768	€ 14.389	€ 14.858	€ 15.581	€ 15.905	€ 16.287	€ 16.903	€ 17.524	€ 17.982	€ 20.487	€ 20.950	€ 21.565	€ 22.029	€ 22.646	€ 23.006	€ 23.567	€ 24.179	€ 2.909
750 cm	€ 9.110	€ 9.732	€ 10.304	€ 10.926	€ 11.403	€ 14.186	€ 14.819	€ 15.296	€ 16.031	€ 16.363	€ 16.753	€ 17.377	€ 18.006	€ 18.478	€ 21.099	€ 21.572	€ 22.198	€ 22.670	€ 23.295	€ 23.665	€ 24.235		€ 3.032
800 cm	€ 9.556	€ 10.229	€ 10.852	€ 11.526	€ 12.054	€ 15.024	€ 15.709	€ 16.239	€ 17.027	€ 17.405	€ 17.847	€ 18.525	€ 19.204	€ 19.732	€ 22.507	€ 23.032	€ 23.713	€ 24.236	€ 24.915	€ 25.331			€ 3.156

FS3	€ 241	€ 252	€ 275	€ 302	€ 327	€ 352	€ 377	€ 402	€ 427	€ 452	€ 581	€ 606	€ 631	€ 656	€ 683	€ 708	€ 733	€ 758	€ 783	€ 808	€ 833	€ 858
FS5-A	€ 44	€ 56	€ 65	€ 75	€ 87	€ 96	€ 108	€ 117	€ 129	€ 139	€ 150	€ 160	€ 171	€ 181	€ 192	€ 202	€ 214	€ 223	€ 235	€ 244	€ 256	€ 266
FS5-E	€ 61	€ 77	€ 90	€ 103	€ 119	€ 132	€ 148	€ 162	€ 178	€ 191	€ 207	€ 220	€ 236	€ 249	€ 265	€ 278	€ 294	€ 307	€ 323	€ 336	€ 352	€ 366
FS22	€ 185	€ 216	€ 246	€ 275	€ 306	€ 337	€ 368	€ 398	€ 427	€ 458	€ 489	€ 520	€ 550	€ 579	€ 610	€ 641	€ 672	€ 702	€ 731	€ 762	€ 793	€ 824

FS3	Gutter System
FS5-A	Additional Fabric Support Profile (Standard)
FS5-E	Additional Fabric Support Profile (3 Axis)
FS4-SP	Additional Rail for Legend Series- Al.- 55x90mm
FS8	Lighting System
FS22	Fabric Protection Cover

FS8	
FS8-S	SPOT
FS8-L	LINEAR
FS8-LR (RGB)	LINEAR (RGB)

LED TYPE & MODULE		
2 LED	3 LED	4 LED
€ 136	€ 165	€ 194
€ 194	€ 252	
€ 247	€ 320	

## Notes:

1. FS Flexy Plain/3D or Stam 6002 is included in the price.
2. Motor and Remote control is included in the price.
3. Palmiye Aluminium Coating Catalogue includes the standard colours with no extra cost. For any other type/brand/color of paint, price difference and additional delivery duration shall be checked from your customer representative.
4. Standard fabric support profile plastic colours are specified in Palmiye Aluminium Coating Catalogue.
5. Standard fabric support profile plastic colours are specified in Palmiye Aluminium Coating Catalogue.
6. Wall brackets are included in the price.
7. Standard wall brackets are included in the price. Any other special designed wall brackets will be priced additionally.

## DEDUCTIONS

Price deduction is applicable only for front & back pillars and side beam. Deduction amount shall be consider as 70% of related option price.

## OPTIONS

FS11	Deco ceiling cover	€ 72	m <sup>2</sup>
FS13-A	Wavy ceiling cover (for flexy fabric) (up to 350 cm width)	€ 37	m <sup>2</sup>
FS25 <sup>1</sup>	Fabric support profile special color	€ 18	m <sup>2</sup>
FS26	Exclusive fabric difference (up to 800cm width)	€ 49	m <sup>2</sup>
FS28-1	Stainless steel chain - 100 cm	€ 79	1m
FS28-2	Stainless steel chain - 200 cm	€ 153	2m
FS28-3	Stainless steel chain - 300 cm	€ 224	3m
FS28-4	Stainless steel chain - 400 cm	€ 298	4m
FS29-1	Sun Sensor (SUNIS) (for single motor)	€ 621	pcs
FS29-1S	Sun Sensor (SUNIS) (for synchronized motor)	€ 990	pcs
FS29-2	Wind Sensor (EOLIS RTS) (for single motor)	€ 293	pcs
FS29-2S	Wind Sensor (EOLIS RTS) (for synchronized motor)	€ 658	pcs
FS29-3	Sun and Wind Sensor (SOLIRIS RTS) (for single motor)	€ 331	pcs
FS29-3S	Sun and Wind Sensor (SOLIRIS RTS) (for synchronized motor)	€ 696	pcs
FS29-4 <sup>2</sup>	Rain Sensor (ONDEIS) (for single motor)	€ 574	pcs
FS29-4S <sup>3</sup>	Rain Sensor (ONDEIS) (for synchronized motor)	€ 938	pcs
FS30	CONNEXOON	€ 525	pcs

**Notes:**

1. Fabric support profiles can be painted in the same color as the general construction. No fee is paid for this process. However, the plastic color should be specified from our standard plastic colours in Palmiye Color Chart.
2. For one product, a dry contact transmitter costing 368€, must be added.
3. Up to 5 products, a RS485 Automation interface dry contact transmitter costing 1126€, must be added.



[www.palmiye.eu](http://www.palmiye.eu)