



L1200 SERIES

PRICE LIST / 2026 v2

MADE FOR OUTDOOR LIFE



MADE FOR OUTDOOR LIFE

INDEX

INCLINED

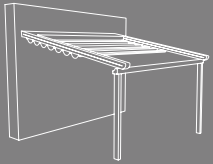
STANDING SYSTEM WITH FRONT PILLAR	04
STANDING SYSTEM WITH FRONT AND BACK PILLAR	08
BRACKET SYSTEM	12
HANGING SYSTEM	16
TWIN STANDING SYSTEM WITH FRONT PILLAR	20
TWIN BRACKET SYSTEM	24
TWIN HANGING SYSTEM	28

OVAL

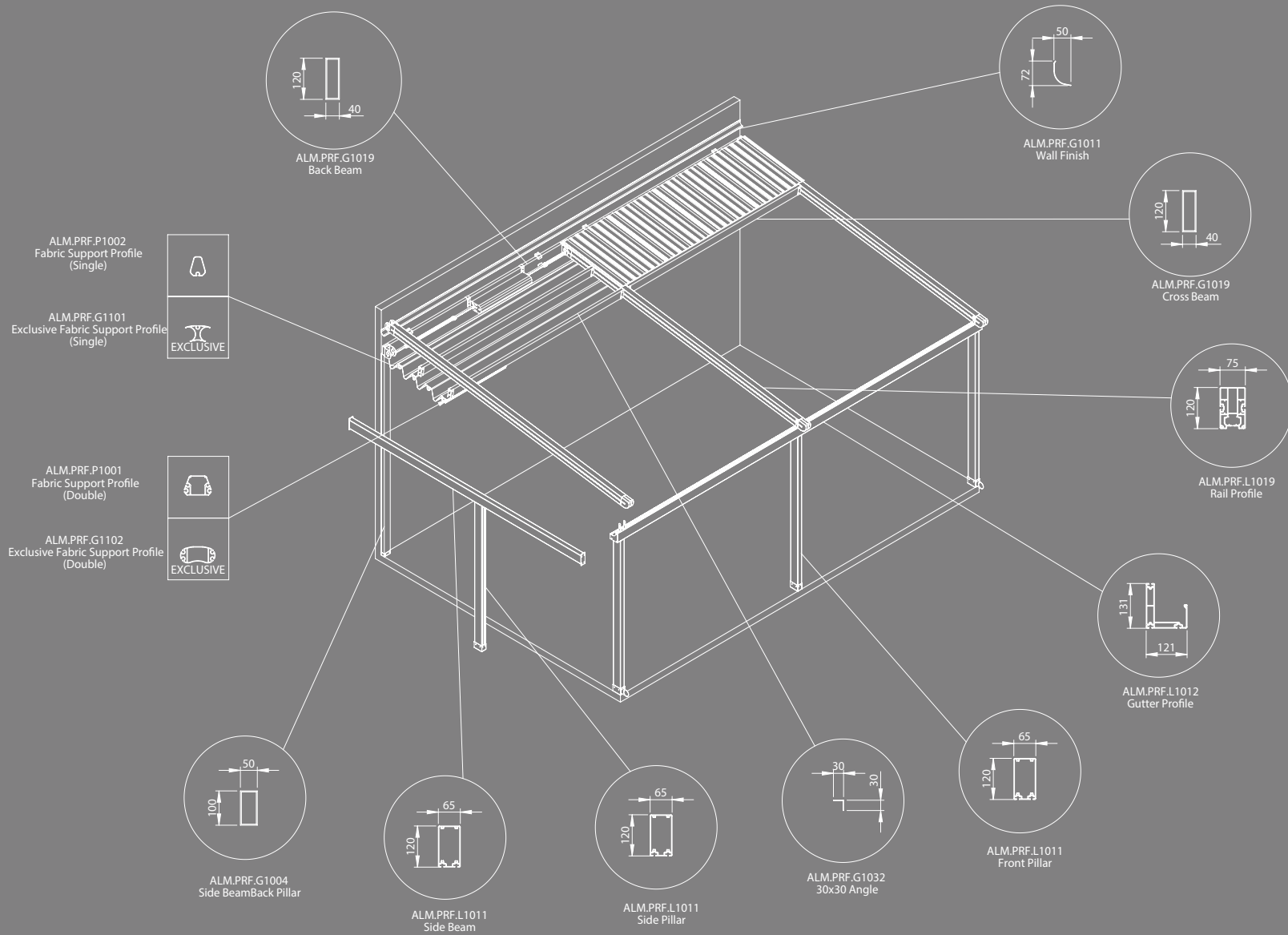
STANDING SYSTEM WITH FRONT PILLAR	32
STANDING SYSTEM WITH FRONT AND BACK PILLAR	36
BRACKET SYSTEM	40
HANGING SYSTEM	44
TWIN STANDING SYSTEM WITH FRONT PILLAR S.M.	48
TWIN STANDING SYSTEM WITH FRONT PILLAR TWIN MOTOR	52
TWIN BRACKET SYSTEM	56
TWIN HANGING SYSTEM	60

FLAT

STANDING SYSTEM WITH FRONT PILLAR	64
STANDING SYSTEM WITH FRONT AND BACK PILLAR	68
BRACKET SYSTEM	72
HANGING SYSTEM	76
TWIN STANDING SYSTEM WITH FRONT PILLAR	80
TWIN BRACKET SYSTEM	84
TWIN HANGING SYSTEM	88



STANDING SYSTEM WITH FRONT PILLAR 1200 SERIES



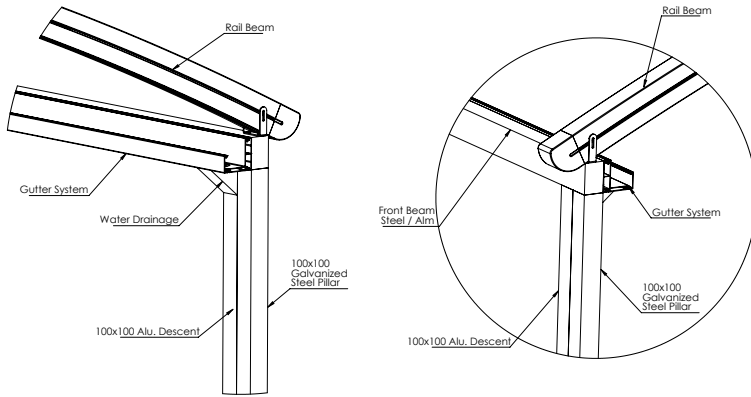
TECHNICAL DETAILS

WATER DRAIN&GUTTER CALCULATION

PRODUCT TYPE	MAX. M ²	USED PRODUCT TYPE
WATER DRAINAGE 45	34m ²	1200 Series Standard

*There should be at least one drainage, each 8 m length gutter.

APPLICATION FORM IN STEEL FRONT BEAM AND DEVICE



* In use of aluminum front pillar of 100*100 and front beam of 100*150 water drain, is applied from the available pillar. No external descent is applied.

MINIMUM SLOPE CHART

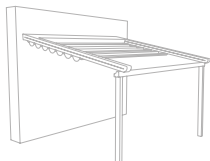
Slope	Rail Center											
	200	225	250	275	300	325	350	375	400	425	450	
6,4-7,9%												
7,4-8,8%												
8,4-9,7%												
9,4-10,8%												
10,4-12%												
11,2-12,7%												
12-13,4%												
13-14,5%												
14-15,7%												
15-16,6%												
16-17,6%												

*Note: Max. slope can be up to 25%
For back height of system 25 cm should be added to slope value.

FRONT PILLAR REDUCTION CONDITIONS

		OUT TO OUT PILLAR SIZE						
		450	500	600	700	750	800	900
PROJECTION	200	A	A	B	B	C	C	C
	300	A	A	B	B	C	C	C
	400	A	A	B	B	C	C	C
	500	A	A	B	B	C	C	C
	600	A	A	B	B	C	C	C
	600	A	A	B	B	C	C	C
F. PILLAR	F. BEAM	A	100*100 ALU 100*150 ALU	B	100*100*3 G.S 100*150*3 G.S	C	100*100*5 G.S 100*200*5 G.S	

- * The front pillar reduction use table should be additionally priced.
- * Ground mounting is performed with flange of 200*200*10 mm or ground anchor of standard 1200 series 65*120.
- * Application is made behind the gutter system.
- * Maximum height is 400 cm for aluminum front pillars.
- * Maximum height is 500 cm for steel front pillars.
- * If front pillar and beam is made of steel, water drain is given from empty aluminum box profile of 100*100.



STANDING SYSTEM WITH FRONT PILLAR 1200 SERIES

		WIDTH																				FS4-L1200 (R99) FS10-L1200 (ALM-08)	FS9-L1200 (Y66)	FS9 (Y65)		
		2 RAIL					3 RAIL										4 RAIL									
		250 cm	300 cm	350 cm	400 cm	450 cm	500 cm	550 cm	600 cm	650 cm	700 cm	750 cm	800 cm	850 cm	900 cm	950 cm	1000 cm	1050 cm	1100 cm	1150 cm	1200 cm				1250 cm	1300 cm
PROJECTION	200 cm	€ 5.061	€ 5.308	€ 5.658	€ 6.019	€ 6.276	€ 7.093	€ 7.343	€ 7.592	€ 8.035	€ 8.251	€ 8.584	€ 8.830	€ 9.079	€ 9.329	€ 10.439	€ 10.685	€ 10.932	€ 11.180	€ 11.429	€ 11.629	€ 11.947	€ 12.312	€ 1.146	€ 205	€ 242
	250 cm	€ 5.277	€ 5.651	€ 5.994	€ 6.260	€ 6.523	€ 7.417	€ 7.790	€ 8.046	€ 8.382	€ 8.605	€ 8.945	€ 9.316	€ 9.690	€ 9.828	€ 10.903	€ 11.157	€ 11.529	€ 11.783	€ 12.038	€ 12.244	€ 12.573	€ 12.943	€ 1.245	€ 246	€ 292
	300 cm	€ 5.655	€ 6.071	€ 6.455	€ 6.764	€ 7.070	€ 8.065	€ 8.478	€ 8.777	€ 9.152	€ 9.409	€ 9.792	€ 10.203	€ 10.617	€ 10.798	€ 11.983	€ 12.278	€ 12.691	€ 12.984	€ 13.280	€ 13.520	€ 13.888	€ 14.299	€ 1.343	€ 288	€ 343
	350 cm	€ 5.998	€ 6.301	€ 6.693	€ 7.129	€ 7.443	€ 8.512	€ 8.820	€ 9.241	€ 9.626	€ 9.888	€ 10.278	€ 10.700	€ 11.125	€ 11.307	€ 12.691	€ 12.994	€ 13.298	€ 13.600	€ 14.018	€ 14.265	€ 14.640	€ 14.942	€ 1.440	€ 330	€ 393
	400 cm	€ 6.221	€ 6.534	€ 6.934	€ 7.377	€ 7.699	€ 8.848	€ 9.163	€ 9.592	€ 9.983	€ 10.253	€ 10.651	€ 11.079	€ 11.509	€ 11.704	€ 13.171	€ 13.482	€ 13.795	€ 14.102	€ 14.530	€ 14.781	€ 15.166	€ 15.475	€ 1.539	€ 374	€ 443
	450 cm	€ 6.452	€ 6.771	€ 7.181	€ 7.633	€ 7.964	€ 9.191	€ 9.515	€ 9.951	€ 10.349	€ 10.626	€ 11.032	€ 11.468	€ 11.906	€ 12.108	€ 13.661	€ 13.979	€ 14.297	€ 14.617	€ 15.051	€ 15.307	€ 15.698	€ 16.016	€ 1.636	€ 416	€ 493
	500 cm	€ 6.679	€ 7.006	€ 7.422	€ 7.883	€ 8.221	€ 9.531	€ 9.860	€ 10.303	€ 10.712	€ 10.995	€ 11.407	€ 11.851	€ 12.299	€ 12.506	€ 14.143	€ 14.471	€ 14.798	€ 15.121	€ 15.564	€ 15.827	€ 16.227	€ 16.553	€ 1.736	€ 458	€ 543
	550 cm	€ 7.065	€ 7.554	€ 8.012	€ 8.516	€ 8.895	€ 10.305	€ 10.791	€ 11.161	€ 11.725	€ 12.044	€ 12.498	€ 12.982	€ 13.470	€ 13.834	€ 15.452	€ 15.836	€ 16.318	€ 16.685	€ 17.167	€ 17.462	€ 17.902	€ 18.383	€ 1.833	€ 500	€ 593
600 cm	€ 7.299	€ 7.797	€ 8.264	€ 8.773	€ 9.161	€ 10.651	€ 11.148	€ 11.524	€ 12.095	€ 12.421	€ 12.882	€ 13.375	€ 13.870	€ 14.244	€ 15.963	€ 16.336	€ 16.828	€ 17.201	€ 17.691	€ 17.993	€ 18.440	€ 18.929	€ 1.930	€ 542	€ 643	
FS5-A	€ 44	€ 56	€ 65	€ 75	€ 87	€ 96	€ 108	€ 117	€ 129	€ 139	€ 150	€ 160	€ 171	€ 181	€ 192	€ 202	€ 214	€ 223	€ 235	€ 244	€ 256	€ 266				
FS5-E	€ 61	€ 77	€ 90	€ 103	€ 119	€ 132	€ 148	€ 162	€ 178	€ 191	€ 207	€ 220	€ 236	€ 249	€ 265	€ 278	€ 294	€ 307	€ 323	€ 336	€ 352	€ 366				

FS5-A	Additional Fabric Support Profile (Standard)
FS4-L1200 (R99) FS10-L1200 (ALM-08)	Additional Rail for L1200 Series - Al. - 75x120mm Additional Pillar for L1200 Series - Al. 65x120mm
FS8	Lighting System
FS9-L1200 (Y66)	Side Beam for L1200 Series- Al.- 65x120mm
FS9 (Y65)	Side Beam- Al.- 50x150mm

FS8	
FS8-S	SPOT
FS8-L	LINEAR
FS8-LR	LINEAR (RGB)

LED TYPE & MODULE		
2 LED	3 LED	4 LED
€ 136	€ 165	€ 194
€ 194	€ 252	
€ 247	€ 320	

Notes:

1. If additional rail is required, it is also necessary to use a corresponding front pillar. Both parts are included in the price of option FS4-1200+FS10-1200(ALM-08).
2. Any Side Beam is not included in the price.
3. FS Flexy Plain/3D or Stam 6002 is included in the price.
4. Motor and Remote control is included in the price.
5. Palmiye Aluminium Coating Catalogue includes the standard colours with no extra cost. For any other type/brand/color of paint, price difference and additional delivery duration shall be checked from your customer representative.
6. Standard "Fabric support profile plastic colors" are specified in our Aluminium coating catalogue.

DEDUCTIONS

Price deduction is applicable only for pillars and beam. Deduction amount shall be consider as 70% of related option price.

OPTIONS

FS10-L1200 (ALM-08)	Extra pillar (65x120mm Al.) for L1200 series	€ 203	pcs
FS10	Extra pillar (100x100mm Al.)	€540	pcs
FS10-ST3	Extra pillar (100x100x3mm St.)	€ 671	pcs
FS10-ST5	Extra pillar (100x100x5mm St.)	€ 978	pcs
FS11	Deco ceiling cover	€ 75	m ²
FS15	Side beam pillar (50x100mm - Al)	€ 280	pcs
FS15-B	Side beam pillar (100x100mm - Al)	€ 540	pcs
FS15-L1200 (ALM-12)	Side beam pillar (65x120mm - Al) for L1200 series	€ 203	pcs
FS19	Fix louver	€ 74	lm
FS23	External Square Downpipe	€ 330	pcs
FS24	W96 Ceiling Cover	€ 86	m ²
FS26	Exclusive fabric difference (up to 800cm width)	€ 51	m ²
FS29-1	Sun Sensor (SUNIS) (for single motor)	€ 625	pcs
FS29-1S	Sun Sensor (SUNIS) (for synchronized motor)	€ 989	pcs
FS29-2	Wind Sensor (EOLIS RTS) (for single motor)	€ 292	pcs
FS29-2S	Wind Sensor (EOLIS RTS) (for synchronized motor)	€ 657	pcs
FS29-3	Sun and Wind Sensor (SOLIRIS RTS) (for single motor)	€ 331	pcs
FS29-3S	Sun and Wind Sensor (SOLIRIS RTS) (for synchronized motor)	€ 696	pcs
FS29-4 ²³	Rain Sensor (ONDEIS) (for single motor)	€ 574	pcs
FS29-4S ²³	Rain Sensor (ONDEIS) (for synchronized motor)	€ 939	pcs
FS30	CONNEXOON	€ 525	pcs

Notes:

1. Fabric support profiles can be painted in the same color as the general construction. No fee is paid for this process. However, the plastic color should be specified from our standard plastic colours in Palmiye Color Chart.
2. For one product, a dry contact transmitter costing 370€, must be added.
3. Up to 5 products, a RS485 Automation interface dry contact transmitter costing 1126€, must be added.

EXTENSIONS

L1200 Rail - 75x120mm	€ 152	lm
Beam Profile (Al. 40x120mm)	€ 67	lm
Beam Profile (Al. 42x150mm)	€ 105	lm
Beam Profile (Al. 50x150mm)	€ 186	lm
Beam Profile (Al. 100x150mm)	€ 155	lm
Beam Profile (St. 100x150x3mm)	€ 320	lm
Beam Profile (St. 100x150x5mm)	€ 388	lm
Beam Profile (St. 100x200x3mm)	€ 325	lm
Beam Profile (St. 100x200x5mm)	€ 462	lm
Fabric protection cover (Al. - 63x__cm)	€ 60	m ²
L1200 Gutter	€ 64	lm

*Max. Al. Front pillar (Al. 65x120mm) height is 280cm

*Max. St 3mm. Front pillar (St. 100x100x3mm) height is 380cm

*Max. St. 5mm Front pillar (St. 100x100x5mm) height is 480cm

PRICE DIFFERENCE

BEAM GROUP			
Standard	Al. 40x120mm		
Back Beam	to	Al. 42x150mm	€ 40 lm
		Al. 50x150mm	€ 122 lm
		Al. 80x130mm	€ 31 lm
		St. 50x150x3mm	€ 156 lm
		St. 50x150x5mm	€ 244 lm
		Al. 100x150mm	€ 89 lm
		St. 100x150x3mm	€ 262 lm
		St. 100x150x5mm	€ 336 lm
		St. 100x200x3mm	€ 266 lm
		St. 100x200x5mm	€ 410 lm

PILLAR GROUP			
Standard	Al. 65x120mm		
Front Pillar	to	Al. 80x80mm	€ 197 pcs
		Al. 100x100mm	€ 342 pcs
		St. 100x100x3mm	€ 416 pcs
		St. 100x100x5mm	€ 729 pcs
		St. 150x150x3mm	€ 1.008 pcs
St. 150x150x5mm	€ 1.516 pcs		

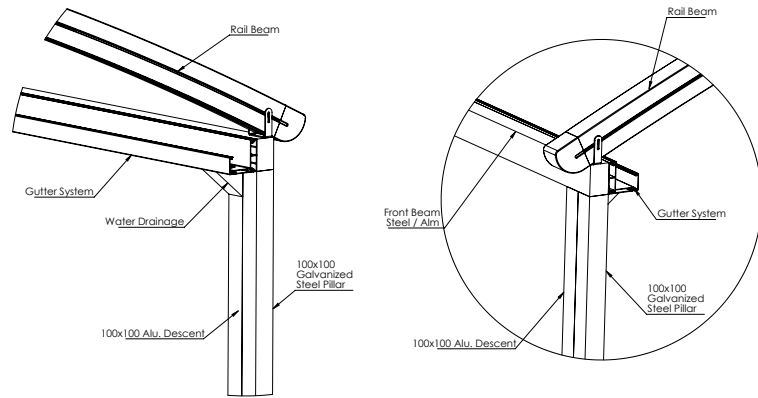
TECHNICAL DETAILS

WATER DRAIN&GUTTER CALCULATION

PRODUCT TYPE	MAX. M ²	USED PRODUCT TYPE
WATER DRAINAGE 45	34m ²	1200 Series Standard

*There should be at least one drainage, each 8 m length gutter.

APPLICATION FORM IN STEEL FRONT BEAM AND DEVICE



* In use of aluminum front pillar of 100*100 and front beam of 100*150 water drain, is applied from the available pillar. No external descent is applied.

USE OF BACK PILLAR AND BACK BEAM (STANDARD)

		PRODUCT WIDTH																		
		450	500	550	600	650	700	750	800	850	900	950	1000	1050	1100	1150	1200	1250	1300	
PROJECTION	400	A	A	A	A	A	A	A	A	A	A	A	A	A	A	A	A	A	A	
	450	A	A	A	A	A	A	A	A	A	A	A	A	A	A	A	A	A	A	
	500	A	A	A	A	A	A	A	A	A	A	A	A	A	A	A	A	A	A	
	550	A	A	A	A	A	A	A	A	A	A	A	A	A	A	A	A	A	A	
	600	A	A	A	A	A	A	A	A	A	A	A	A	A	A	A	A	A	A	
GROUND FLANGE BACK PILLAR BACK BEAM		A	200*200*10 FLANGE ALU 100*100 ALU 100*150 ALU																	

* Utilization table of back beam and back pillar is included in the list price.

TERMS OF USE OF BACK PILLAR AND BACK BEAM

		OUT TO OUT PILLAR SIZE							
		450	500	550	600	700	750	800	900
PROJECTION	400	A	A	A	B	B	C	C	C
	500	A	A	B	B	B	C	C	C
	600	A	B	B	B	B	C	C	C
BACK PILLAR BACK BEAM		A	100*100 ALU 100*150 ALU	B	100*100*3 G.S 100*150*3 G.S	C	100*100*5 G.S 100*200*5 G.S		

- * Use of back pillar and beam should be additionally priced.
- * Floor mounting of the pillar is performed with flange of 200*200*10 mm or ground anchor.
- * Maximum height is 4m for aluminum back pillars and 5m for steel back pillars.

TERMS OF USE OF FRONT PILLAR AND BEAM

		OUT TO OUT PILLAR SIZE					
		450	550	600	650	700	
PROJECTION	400	A	A	B	B	C	
	500	A	A	B	B	C	
	600	A	A	B	C	C	
F. PILLAR F. BEAM		A	100*100 ALU 100*150 ALU	B	100*100*3 G.S 100*150*3 G.S	C	100*100*5 G.S 100*200*5 G.S

- * Use of front pillar and beam should be additionally priced.
- * Ground mounting of the pillar is performed with flange of 200*200*10 mm or ground anchor.
- * Application is made behind the gutter system.
- * Maximum height is 4m for aluminum front pillars and 5m for steel front pillars.
- * If front pillar and beam is made of steel, water drain is given from empty aluminum box profile of 100*100.

MINIMUM SLOPE CHART

Slope	Rail Center											
	200	225	250	275	300	325	350	375	400	425	450	
6,4-7,9%	11	14	16	19	21	23	25	28	30	33	35	
7,4-8,8%	15	18	21	24	26	29	32	35	37	40	43	
8,4-9,7%	18	22	25	29	32	35	38	41	44	48	51	
9,4-10,8%	22	26	30	34	37	41	44	48	52	56	59	
10,4-12%	27	31	35	39	43	47	51	55	59	64	68	
11,2-12,7%	31	36	40	45	49	54	58	63	67	72	76	
12-13,4%	35	40	45	50	55	60	65	70	75	80	85	
13-14,5%	39	45	50	56	61	67	72	78	83	89	94	
14-15,7%												
15-16,6%												
16-17,6%												

*Note: Max. slope can be up to 25%
For back height of system 25 cm should be added to slope value.



STANDING SYSTEM WITH FRONT AND BACK PILLAR 1200 SERIES

		WIDTH																				FS4-L1200 (R99) FS10-L1200 (ALM-08)	FS9-PD		
		2 RAIL					3 RAIL										4 RAIL								
		250 cm	300 cm	350 cm	400 cm	450 cm	500 cm	550 cm	600 cm	650 cm	700 cm	750 cm	800 cm	850 cm	900 cm	950 cm	1000 cm	1050 cm	1100 cm	1150 cm	1200 cm			1250 cm	1300 cm
PROJECTION	200 cm	€ 6.229	€ 6.498	€ 6.876	€ 7.260	€ 7.541	€ 8.706	€ 8.980	€ 9.255	€ 9.721	€ 9.963	€ 10.320	€ 10.591	€ 10.863	€ 11.136	€ 12.596	€ 12.867	€ 13.138	€ 13.410	€ 13.683	€ 13.909	€ 14.252	€ 14.640	€ 1.146	€ 38
	250 cm	€ 6.527	€ 6.923	€ 7.292	€ 7.582	€ 7.870	€ 9.111	€ 9.509	€ 9.791	€ 10.149	€ 10.396	€ 10.763	€ 11.158	€ 11.556	€ 11.718	€ 13.142	€ 13.420	€ 13.814	€ 14.094	€ 14.375	€ 14.605	€ 14.958	€ 15.353	€ 1.245	€ 46
	300 cm	€ 6.986	€ 7.425	€ 7.835	€ 8.167	€ 8.498	€ 9.841	€ 10.279	€ 10.601	€ 11.001	€ 11.284	€ 11.692	€ 12.126	€ 12.565	€ 12.769	€ 14.302	€ 14.621	€ 15.060	€ 15.378	€ 15.698	€ 15.963	€ 16.355	€ 16.789	€ 1.343	€ 54
	350 cm	€ 7.410	€ 7.738	€ 8.155	€ 8.614	€ 8.952	€ 10.372	€ 10.701	€ 11.147	€ 11.556	€ 11.844	€ 12.259	€ 12.703	€ 13.154	€ 13.362	€ 15.094	€ 15.420	€ 15.749	€ 16.075	€ 16.517	€ 16.788	€ 17.190	€ 17.516	€ 1.440	€ 62
	400 cm	€ 7.718	€ 8.054	€ 8.479	€ 8.948	€ 9.294	€ 10.791	€ 11.129	€ 11.584	€ 11.999	€ 12.294	€ 12.717	€ 13.167	€ 13.623	€ 13.843	€ 15.657	€ 15.993	€ 16.330	€ 16.664	€ 17.113	€ 17.391	€ 17.798	€ 18.132	€ 1.539	€ 69
	450 cm	€ 8.031	€ 8.374	€ 8.808	€ 9.283	€ 9.640	€ 11.216	€ 11.564	€ 12.024	€ 12.447	€ 12.749	€ 13.180	€ 13.639	€ 14.101	€ 14.327	€ 16.228	€ 16.571	€ 16.915	€ 17.258	€ 17.716	€ 17.997	€ 18.413	€ 18.756	€ 1.636	€ 77
	500 cm	€ 8.337	€ 8.690	€ 9.131	€ 9.617	€ 9.980	€ 11.637	€ 11.990	€ 12.459	€ 12.891	€ 13.198	€ 13.637	€ 14.103	€ 14.577	€ 14.807	€ 16.794	€ 17.144	€ 17.496	€ 17.844	€ 18.311	€ 18.599	€ 19.022	€ 19.372	€ 1.736	€ 85
550 cm	€ 8.806	€ 9.319	€ 9.803	€ 10.331	€ 10.732	€ 12.492	€ 13.003	€ 13.396	€ 13.986	€ 14.329	€ 14.807	€ 15.315	€ 15.828	€ 16.217	€ 18.181	€ 18.591	€ 19.099	€ 19.488	€ 19.996	€ 20.316	€ 20.778	€ 21.284	€ 1.833	€ 93	
600 cm	€ 9.123	€ 9.644	€ 10.135	€ 10.670	€ 11.083	€ 12.920	€ 13.441	€ 13.843	€ 14.438	€ 14.788	€ 15.273	€ 15.789	€ 16.311	€ 16.707	€ 18.774	€ 19.173	€ 19.690	€ 20.088	€ 20.600	€ 20.928	€ 21.398	€ 21.912	€ 1.930	€ 101	

FS5-A	€ 44	€ 56	€ 65	€ 75	€ 87	€ 96	€ 108	€ 117	€ 129	€ 139	€ 150	€ 160	€ 171	€ 181	€ 192	€ 202	€ 214	€ 223	€ 235	€ 244	€ 256	€ 266
FS5-E	€ 61	€ 77	€ 90	€ 103	€ 119	€ 132	€ 148	€ 162	€ 178	€ 191	€ 207	€ 220	€ 236	€ 249	€ 265	€ 278	€ 294	€ 307	€ 323	€ 336	€ 352	€ 366

FS5-A	Additional Fabric Support Profile (Standard)
FS4-L1200 (R99) FS10-L1200 (ALM-08)	Additional Rail for L1200 Series - Al. - 75x120mm Additional Pillar for L1200 Series - Al. 65x120mm
FS8	Lighting System
FS9-PD	From FS9-L1200 (Y66) to FS9

LED TYPE & MODULE		
FS8		
FS8-S	SPOT	
FS8-L	LINEAR	
FS8-LR	LINEAR (RGB)	
	2 LED	3 LED
	€ 136	€ 165
	€ 194	€ 252
	€ 247	€ 320
	4 LED	€ 194

Notes:

- If additional rail is required, it is also necessary to use a corresponding front pillar. Both parts are included in the price of option FS4-1200+FS10-1200(ALM-08).
- FS9-L1200 (Y66) (Al. 65x120mm) Side Beam is included in the price for right and left side as a standard. For other option which is FS9 (Al. 50x150mm) is extra cost. Please define on your technical drawing.
- FS Flexy Plain/3D or Stam 6002 is included in the price.
- Motor and Remote control is included in the price.
- Palmiye Aluminium Coating Catalogue includes the standard colours with no extra cost. For any other type/brand/color of paint, price difference and additional delivery duration shall be checked from your customer representative.
- Standard "Fabric support profile plastic colors" are specified in our Aluminium coating catalogue.

DEDUCTIONS

Price deduction is applicable only for pillars and beam. Deduction amount shall be consider as 70% of related option price.

OPTIONS			
FS10-L1200 (ALM-08)	Extra pillar (65x120mm Al.) for L1200 series	€ 203	pcs
FS10	Extra pillar (100x100mm Al.)	€ 540	pcs
FS10-ST3	Extra pillar (100x100x3mm St.)	€ 671	pcs
FS10-ST5	Extra pillar (100x100x5mm St.)	€ 978	pcs
FS11	Deco ceiling cover	€ 75	m ²
FS15	Side beam pillar (50x100mm - Al)	€ 280	pcs
FS15-B	Side beam pillar (100x100mm - Al)	€ 540	pcs
FS15-L1200 (ALM-12)	Side beam pillar (65x120mm - Al) for L1200 series	€ 203	pcs
FS19	Fix louver	€ 74	lm
FS23	External Square Downpipe	€ 330	pcs
FS24	W96 Ceiling Cover	€ 86	m ²
FS26	Exclusive fabric difference (up to 800cm width)	€ 51	m ²
FS29-1	Sun Sensor (SUNIS) (for single motor)	€ 625	pcs
FS29-1S	Sun Sensor (SUNIS) (for synchronized motor)	€ 989	pcs
FS29-2	Wind Sensor (EOLIS RTS) (for single motor)	€ 292	pcs
FS29-2S	Wind Sensor (EOLIS RTS) (for synchronized motor)	€ 657	pcs
FS29-3	Sun and Wind Sensor (SOLIRIS RTS) (for single motor)	€ 331	pcs
FS29-3S	Sun and Wind Sensor (SOLIRIS RTS) (for synchronized motor)	€ 696	pcs
FS29-4 ^{2/3}	Rain Sensor (ONDEIS) (for single motor)	€ 574	pcs
FS29-4S ^{2/3}	Rain Sensor (ONDEIS) (for synchronized motor)	€ 939	pcs
FS30	CONNEXOON	€ 525	pcs

EXTENSIONS		
L1200 Rail - 75x120mm	€ 152	lm
Beam Profile (Al. 100x150mm)	€ 155	lm
Beam Profile (St. 100x150x3mm)	€ 320	lm
Beam Profile (St. 100x150x5mm)	€ 388	lm
Beam Profile (St. 100x200x3mm)	€ 325	lm
Beam Profile (St. 100x200x5mm)	€ 462	lm
Fabric protection cover (Al. - 63x___cm)	€ 60	m ²
L1200 Gutter	€ 64	lm

*Max. Al. Front pillar (Al. 65x120mm) height is 280cm

*Max. St 3mm. Front pillar (St. 100x100x3mm) height is 380cm

*Max. St. 5mm Front pillar (St. 100x100x5mm) height is 480cm

PRICE DIFFERENCE

BEAM GROUP				
	Standard	Al. 100x150mm		
Back Beam	to	St. 100x150x3mm	€ 160	lm
		St. 100x150x5mm	€ 238	lm
		St. 100x200x3mm	€ 165	lm
		St. 100x200x5mm	€ 311	lm

PILLAR GROUP				
	Standard	Al. 65x120mm		
Front Pillar	to	Al. 80x80mm	€ 197	pcs
		Al. 100x100mm	€ 342	pcs
		St. 100x100x3mm	€ 416	pcs
		St. 100x100x5mm	€ 729	pcs
		St. 150x150x3mm	€ 1.008	pcs
		St. 150x150x5mm	€ 1.516	pcs

PILLAR GROUP				
	Standard	Al. 100x100mm		
Back Pillar	to	St. 100x100x3mm	€ 117	pcs
		St. 100x100x5mm	€ 479	pcs
		St. 150x150x3mm	€ 731	pcs
		St. 150x150x5mm	€ 1.294	pcs

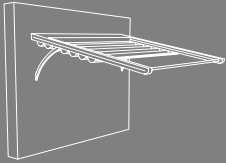
Notes:

1. Fabric support profiles can be painted in the same color as the general construction. No fee is paid for this process. However, the plastic color should be specified from our standard plastic colours in Palmiye Color Chart.

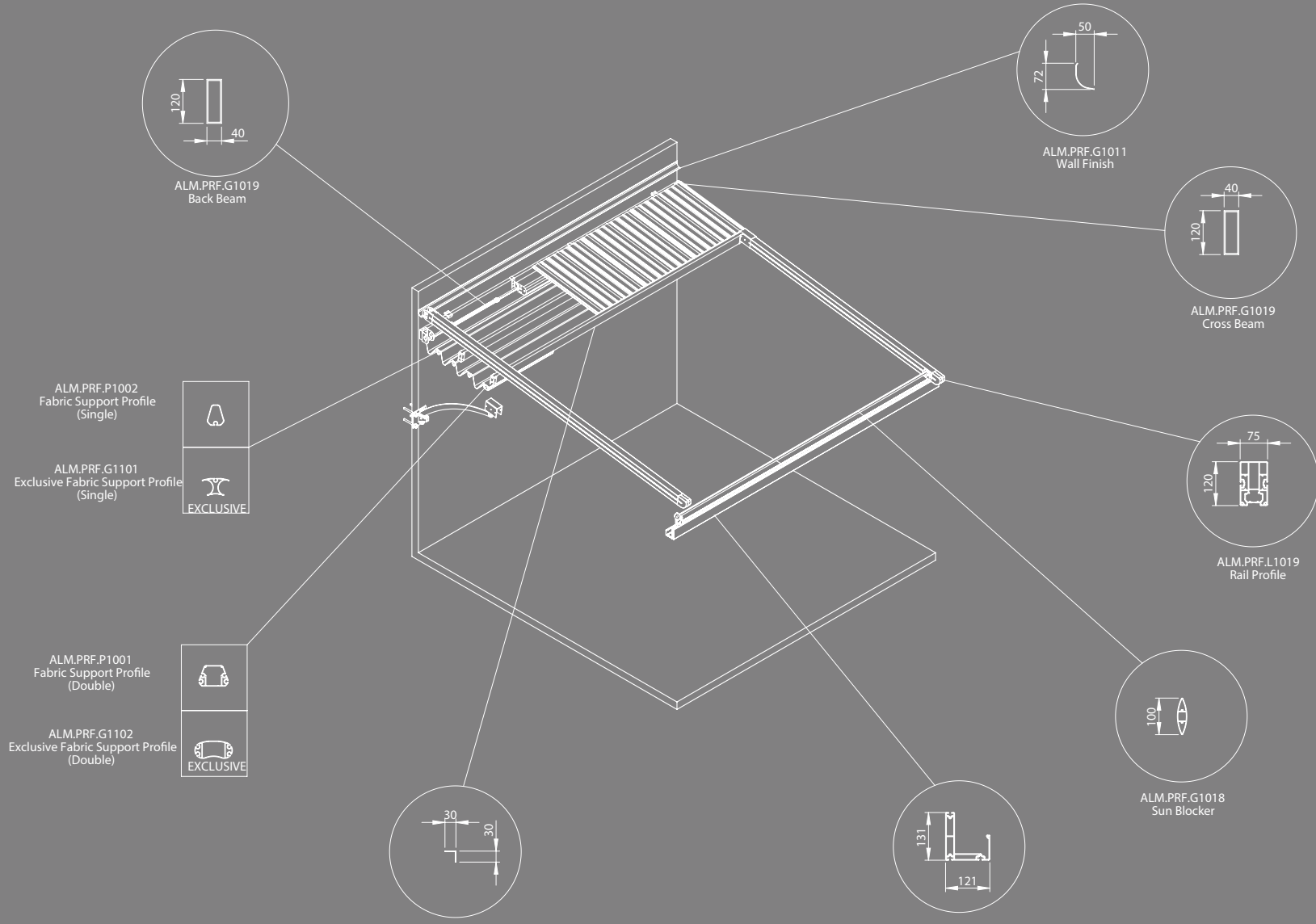
2. For one product, a dry contact transmitter costing 370€, must be added.

3. Up to 5 products, a RS485 Automation interface dry contact transmitter costing 1126€, must be added.

4. In pergolas including steel front pillars, if gutter option is preferred, external water drainage points will be specified according to the Project and will be priced additionally.



BRACKET SYSTEM 1200 SERIES



TECHNICAL DETAILS

WATER DRAIN&GUTTER CALCULATION

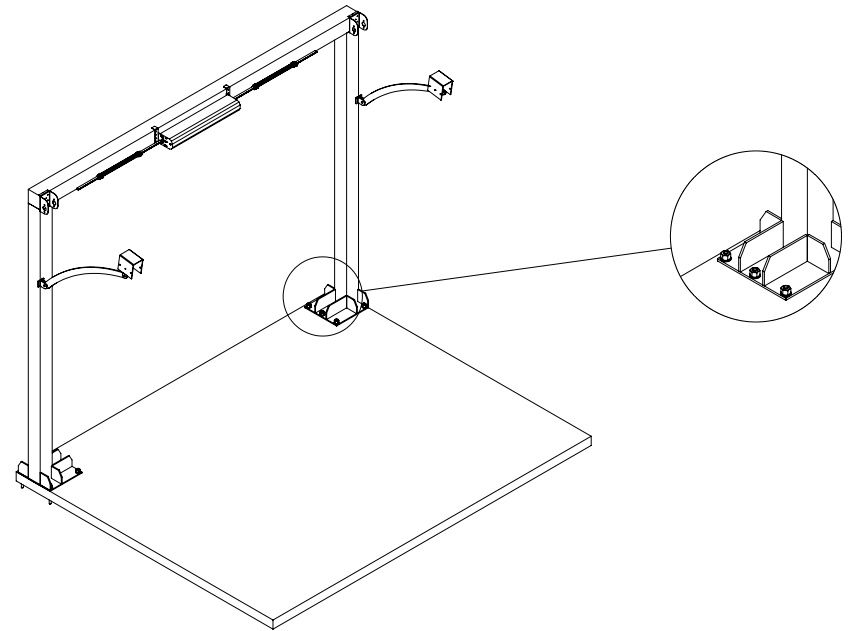
PRODUCT TYPE	MAX. M ²	USED PRODUCT TYPE
WATER DRAINAGE 45	34m ²	1200 Series Standard

*There should be at least one drainage, each 8 m length gutter.

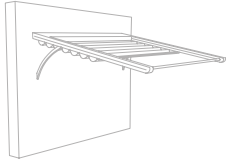
MINIMUM SLOPE CHART

Projection	Slope	Rail Center										
	6,4-7,9%	7,4-8,8%	8,4-9,7%	9,4-10,8%	10,4-12%	11,2-12,7%	12-13,4%	13-14,5%	14-15,7%	15-16,6%	16-17,6%	
	200	225	250	275	300	325	350	375	400	425	450	
250	11	14	16	19	21	23	25	28	30	33	35	
300	15	18	21	24	26	29	32	35	37	40	43	
350	18	22	25	29	32	35	38	41	44	48	51	
400	22	26	30	34	37	41	44	48	52	56	59	

*Note: Max. slope can be up to 25%
For back height of system 25 cm should be added to slope value.



- * Distance between two pillars depends on the system width.
- * For the systems with 2 units next to each other, one of the pillars in the middle will be removed.
- * Strut support apparatus is used under each rail.
- * Pillar and beam are used as 150*150*3mm in standard.



BRACKET SYSTEM 1200 SERIES

		WIDTH				
PROJECTION	2 RAIL					
		250 cm	300 cm	350 cm	400 cm	450 cm
	200 cm	€ 5.165	€ 5.419	€ 5.780	€ 6.148	€ 6.412
	250 cm	€ 5.379	€ 5.762	€ 6.114	€ 6.387	€ 6.657
	300 cm	€ 5.758	€ 6.185	€ 6.580	€ 6.897	€ 7.211
	350 cm	€ 6.103	€ 6.414	€ 6.816	€ 7.265	€ 7.586
400 cm	€ 6.325	€ 6.646	€ 7.056	€ 7.511	€ 7.842	

G23	€ 136	€ 141	€ 156	€ 169	€ 184
FS5-A	€ 44	€ 56	€ 65	€ 75	€ 87
FS5-E	€ 61	€ 77	€ 90	€ 103	€ 119

G23	L1200 Gutter System
FS5-A	Additional Fabric Support Profile (Standard)
FS8	Lighting System

FS8	
FS8-S	SPOT
FS8-L	LINEAR
FS8-LR	LINEAR (RGB)

LED TYPE & MODULE		
2 LED	3 LED	4 LED
€ 136	€ 165	€ 194
€ 194	€ 252	
€ 247	€ 320	

Notes:

1. Modules can not be combined.
2. Side beam is not applicable.
3. FS Flexy Plain/3D or Stam 6002 is included in the price.
4. Motor and Remote control is included in the price.
5. Palmiye Aluminium Coating Catalogue includes the standard colours with no extra cost. For any other type/brand/color of paint, price difference and additional delivery duration shall be checked from your customer representative.
6. Standard "Fabric support profile plastic colors" are specified in our Aluminium coating catalogue.

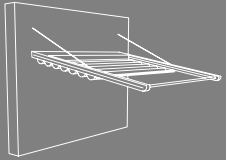
OPTIONS			
FS10	Extra pillar (100x100mm Al.)	€ 540	pcs
FS10-ST3	Extra pillar (100x100x3mm St.)	€ 671	pcs
FS10-ST5	Extra pillar (100x100x5mm St.)	€ 978	pcs
FS11	Deco ceiling cover	€ 75	m ²
FS15	Side beam pillar (50x100mm - Al)	€ 280	pcs
FS15-B	Side beam pillar (100x100mm - Al)	€ 540	pcs
FS15-L1200 (ALM-12)	Side beam pillar (65x120mm - Al) for L1200 series	€ 203	pcs
FS19	Fix louver	€ 74	lm
FS23	External Square Downpipe	€ 330	pcs
FS24	W96 Ceiling Cover	€ 86	m ²
FS26	Exclusive fabric difference (up to 800cm width)	€ 51	m ²
FS28-1	Stainless steel chain - 100 cm	€ 78	1m
FS28-2	Stainless steel chain - 200 cm	€ 153	2m
FS28-3	Stainless steel chain - 300 cm	€ 230	3m
FS28-4	Stainless steel chain - 400 cm	€ 306	4m
FS29-1	Sun Sensor (SUNIS) (for single motor)	€ 625	pcs
FS29-2	Wind Sensor (EOLIS RTS) (for single motor)	€ 292	pcs
FS29-3	Sun and Wind Sensor (SOLIRIS RTS) (for single motor)	€ 331	pcs
FS29-4	Rain Sensor (ONDEIS) (for single motor)	€ 574	pcs
FS29-4S	Rain Sensor (ONDEIS) (for synchronized motor)	€ 939	pcs
FS30	CONNEXOON	€ 525	pcs
FS10-150ST3	Extra pillar (150x150x3mm St.)	€ 1.252	pcs
FS10-150ST5	Extra pillar (150x150x5mm St.)	€ 1.751	pcs

EXTENSIONS		
Beam Profile (Al. 40x120mm)	€ 67	lm
Beam Profile (Al. 42x150mm)	€ 105	lm
Beam Profile (Al. 50x150mm)	€ 186	lm
Beam Profile (Al. 100x150mm)	€ 155	lm
Beam Profile (St. 100x150x3mm)	€ 320	lm
Beam Profile (St. 100x150x5mm)	€ 388	lm
Beam Profile (St. 100x200x3mm)	€ 325	lm
Beam Profile (St. 100x200x5mm)	€ 462	lm
Fabric protection cover (Al. - 63x__cm)	€ 60	m ²
L1200 Gutter	€ 64	lm

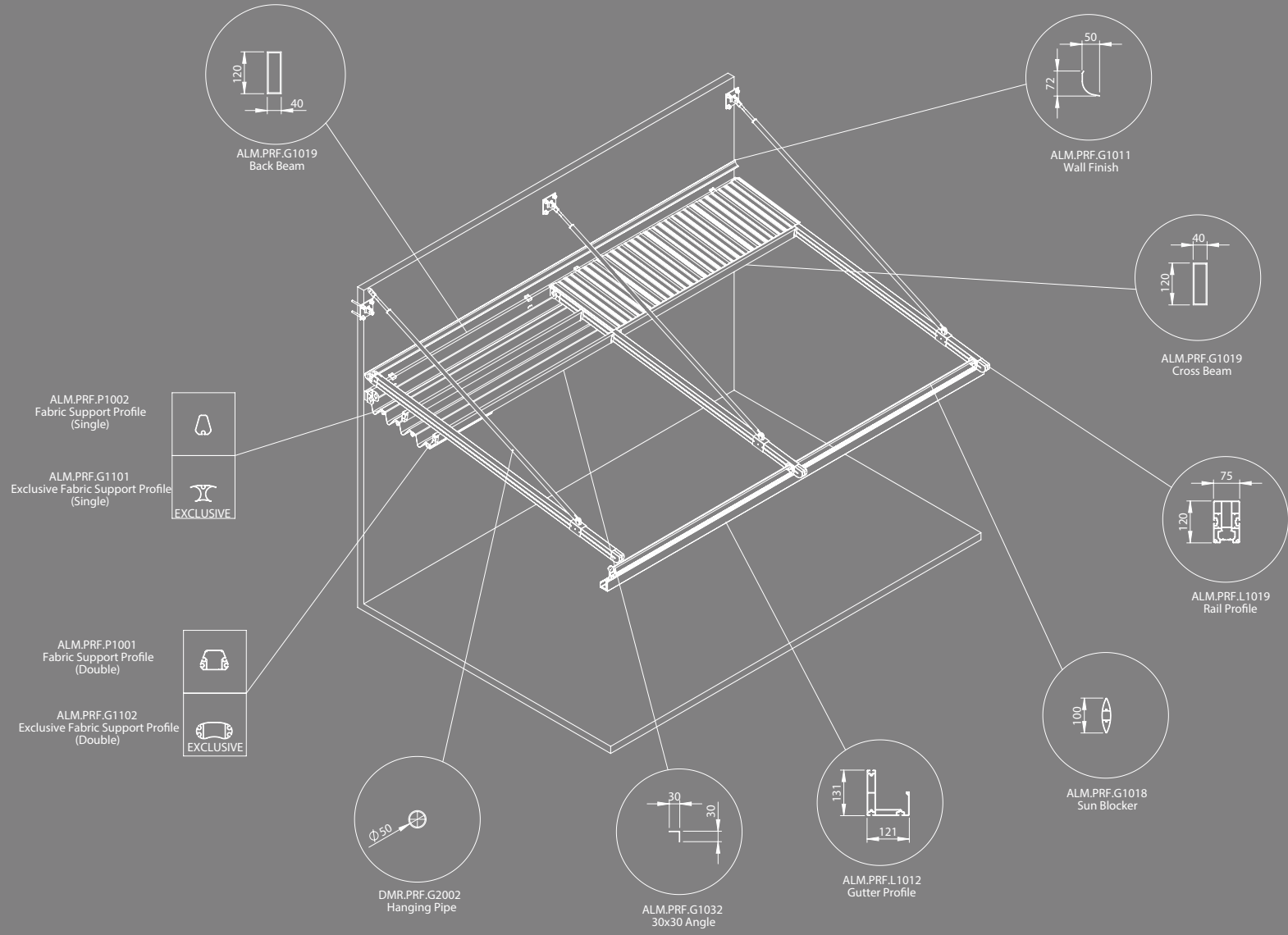
PRICE DIFFERENCE			
BEAM GROUP			
	Standard	Al. 40x120mm	
	Back Beam to		Al. 42x150mm
		Al. 50x150mm	€ 122 lm
		Al. 80x130mm	€ 31 lm
		St. 50x150x3mm	€ 156 lm
		St. 50x150x5mm	€ 244 lm
		Al. 100x150mm	€ 89 lm
		St. 100x150x3mm	€ 262 lm
		St. 100x150x5mm	€ 336 lm
		St. 100x200x3mm	€ 266 lm
		St. 100x200x5mm	€ 410 lm

Notes:

1. Fabric support profiles can be painted in the same color as the general construction. No fee is paid for this process. However, the plastic color should be specified from our standard plastic colours in Palmiye Color Chart.
2. For one product, a dry contact transmitter costing 370€, must be added.
3. Up to 5 products, a RS485 Automation interface dry contact transmitter costing 1126€, must be added.
4. The prices in the main table are for wall mounted products. This model also can be made as freestanding. For freestanding applications "FS10-150ST3" or "FS10-150ST5" pillar options and "St. 150x150x3mm" or "St. 150x150x5mm" back beam options should be added to the main prices.



HANGING SYSTEM 1200 SERIES



WATER DRAIN&GUTTER CALCULATION

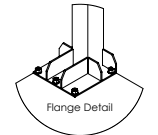
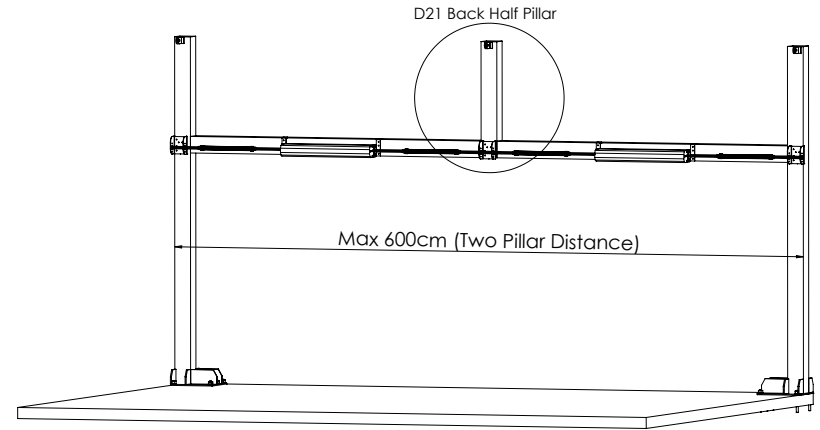
PRODUCT TYPE	MAX. M ²	USED PRODUCT TYPE
WATER DRAINAGE 45	34m ²	1200 Series Standard

*There should be at least one drainage, each 8 m length gutter.

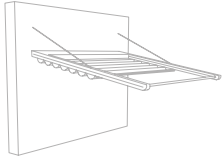
MINIMUM SLOPE CHART

Slope	Rail Center																					
	200	225	250	275	300	325	350	375	400	425	450											
	6,4-7,9%	7,4-8,8%	8,4-9,7%	9,4-10,8%	10,4-12%	11,2-12,7%	12-13,4%	13-14,5%	14-15,7%	15-16,6%	16-17,6%											
Projection	250	300	350	400	450	500	550	600														
	11	15	18	22	27	31	35	39	43	47	51	55	59	63	67	71	75	79	83	87	91	95

*Note: Max. slope can be up to 25%
For back height of system 25 cm should be added to slope value.



- This model includes 3m steel back beam and pillars.
- The front beam can not be produced in steel.
- Ground flanges are 380x380x15 mm.
- When pillar reduction is applied, Extra half pillar (150x150x5mm St.) must be installed at the back of each rail shaft, and all steel pillars should be 150x150x5 mm.
- In condition of adding an additional rail, a steel 150x150x3m back pillar should also be added.



HANGING SYSTEM 1200 SERIES

		WIDTH																				FS4-L1200 (R99)		
		2 RAIL					3 RAIL										4 RAIL							
		250 cm	300 cm	350 cm	400 cm	450 cm	500 cm	550 cm	600 cm	650 cm	700 cm	750 cm	800 cm	850 cm	900 cm	950 cm	1000 cm	1050 cm	1100 cm	1150 cm	1200 cm		1250 cm	1300 cm
PROJECTION	200 cm	€ 5.190	€ 5.445	€ 5.806	€ 6.178	€ 6.443	€ 7.284	€ 7.542	€ 7.799	€ 8.257	€ 8.478	€ 8.821	€ 9.077	€ 9.332	€ 9.590	€ 10.734	€ 10.987	€ 11.245	€ 11.499	€ 11.754	€ 11.961	€ 12.290	€ 12.666	€ 943
	250 cm	€ 5.404	€ 5.790	€ 6.144	€ 6.418	€ 6.689	€ 7.610	€ 7.996	€ 8.260	€ 8.607	€ 8.836	€ 9.188	€ 9.570	€ 9.954	€ 10.097	€ 11.204	€ 11.466	€ 11.851	€ 12.111	€ 12.376	€ 12.587	€ 12.926	€ 13.307	€ 1.042
	300 cm	€ 5.787	€ 6.216	€ 6.612	€ 6.931	€ 7.245	€ 8.271	€ 8.698	€ 9.004	€ 9.391	€ 9.660	€ 10.053	€ 10.476	€ 10.903	€ 11.089	€ 12.310	€ 12.614	€ 13.041	€ 13.343	€ 13.648	€ 13.895	€ 14.276	€ 14.697	€ 1.140
	350 cm	€ 6.132	€ 6.446	€ 6.850	€ 7.299	€ 7.622	€ 8.725	€ 9.041	€ 9.475	€ 9.872	€ 10.144	€ 10.546	€ 10.980	€ 11.420	€ 11.606	€ 13.032	€ 13.345	€ 13.661	€ 13.970	€ 14.403	€ 14.656	€ 15.042	€ 15.353	€ 1.237
	400 cm	€ 6.355	€ 6.677	€ 7.090	€ 7.547	€ 7.880	€ 9.063	€ 9.388	€ 9.829	€ 10.233	€ 10.512	€ 10.923	€ 11.363	€ 11.806	€ 12.008	€ 13.520	€ 13.840	€ 14.163	€ 14.481	€ 14.921	€ 15.182	€ 15.577	€ 15.895	€ 1.336
	450 cm	€ 6.586	€ 6.916	€ 7.336	€ 7.803	€ 8.142	€ 9.409	€ 9.742	€ 10.192	€ 10.603	€ 10.891	€ 11.309	€ 11.756	€ 12.208	€ 12.415	€ 14.017	€ 14.345	€ 14.674	€ 15.003	€ 15.452	€ 15.714	€ 16.118	€ 16.445	€ 1.433
	500 cm	€ 6.811	€ 7.150	€ 7.579	€ 8.053	€ 8.401	€ 9.751	€ 10.090	€ 10.548	€ 10.971	€ 11.261	€ 11.688	€ 12.144	€ 12.607	€ 12.819	€ 14.508	€ 14.844	€ 15.182	€ 15.516	€ 15.974	€ 16.243	€ 16.656	€ 16.990	€ 1.533
550 cm	€ 7.036	€ 7.383	€ 7.821	€ 8.305	€ 8.661	€ 10.092	€ 10.439	€ 10.903	€ 11.338	€ 11.633	€ 12.067	€ 12.531	€ 13.003	€ 13.223	€ 15.000	€ 15.343	€ 15.689	€ 16.031	€ 16.494	€ 16.774	€ 17.192	€ 17.535	€ 1.630	
600 cm	€ 7.261	€ 7.617	€ 8.064	€ 8.555	€ 8.921	€ 10.435	€ 10.785	€ 11.261	€ 11.704	€ 12.002	€ 12.446	€ 12.919	€ 13.400	€ 13.627	€ 15.491	€ 15.843	€ 16.197	€ 16.544	€ 17.015	€ 17.303	€ 17.730	€ 18.082	€ 1.727	

G23	€ 136	€ 141	€ 156	€ 169	€ 184	€ 216	€ 213	€ 228	€ 241	€ 253	€ 327	€ 342	€ 354	€ 369	€ 386	€ 399	€ 411	€ 429	€ 441	€ 454	€ 470	€ 485
FS5-A	€ 44	€ 56	€ 65	€ 75	€ 87	€ 96	€ 108	€ 117	€ 129	€ 139	€ 150	€ 160	€ 171	€ 181	€ 192	€ 202	€ 214	€ 223	€ 235	€ 244	€ 256	€ 266
FS5-E	€ 61	€ 77	€ 90	€ 103	€ 119	€ 132	€ 148	€ 162	€ 178	€ 191	€ 207	€ 220	€ 236	€ 249	€ 265	€ 278	€ 294	€ 307	€ 323	€ 336	€ 352	€ 366

G23	L1200 Gutter System
FS5-A	Additional Fabric Support Profile (Standard)
FS8	Lighting System
FS4 L1200 (R99)	Additional Rail for L1200 Series - Al.-75x120mm

FS8	
FS8-S	SPOT
FS8-L	LINEAR
FS8-LR	LINEAR (RGB)

LED TYPE & MODULE		
2 LED	3 LED	4 LED
€ 136	€ 165	€ 194
€ 194	€ 252	
€ 247	€ 320	

Notes:

1. FS Flexy Plain/3D or Stam 6002 is included in the price.
2. Motor and Remote control is included in the price.
3. Palmiye Aluminium Coating Catalogue includes the standard colours with no extra cost. For any other type/brand/color of paint, price difference and additional delivery duration shall be checked from your customer representative.
4. Standard "Fabric support profile plastic colors" are specified in our Aluminium coating catalogue.

OPTIONS

FS10	Extra pillar (100x100mm Al.)	€ 540	pcs
FS10-ST3	Extra pillar (100x100x3mm St.)	€ 671	pcs
FS10-ST5	Extra pillar (100x100x5mm St.)	€ 978	pcs
FS11	Deco ceiling cover	€ 75	m ²
FS15	Side beam pillar (50x100mm - Al)	€ 280	pcs
FS15-B	Side beam pillar (100x100mm - Al)	€ 540	pcs
FS15-L1200 (ALM-12)	Side beam pillar (65x120mm - Al) for L1200 series	€ 203	pcs
FS19	Fix louver	€ 74	lm
FS23	External Square Downpipe	€ 330	pcs
FS24	W96 Ceiling Cover	€ 86	m ²
FS26	Exclusive fabric difference (up to 800cm width)	€ 51	m ²
FS28-1	Stainless steel chain - 100 cm	€ 78	pcs
FS28-2	Stainless steel chain - 200 cm	€ 153	pcs
FS28-3	Stainless steel chain - 300 cm	€ 230	pcs
FS28-4	Stainless steel chain - 400 cm	€ 306	pcs
FS29-1	Sun Sensor (SUNIS) (for single motor)	€ 625	pcs
FS29-1S	Sun Sensor (SUNIS) (for synchronized motor)	€ 989	pcs
FS29-2	Wind Sensor (EOLIS RTS) (for single motor)	€ 292	pcs
FS29-2S	Wind Sensor (EOLIS RTS) (for synchronized motor)	€ 657	pcs
FS29-3	Sun and Wind Sensor (SOLIRIS RTS) (for single motor)	€ 331	pcs
FS29-3S	Sun and Wind Sensor (SOLIRIS RTS) (for synchronized motor)	€ 696	pcs
FS29-4 ^{2/3}	Rain Sensor (ONDEIS) (for single motor)	€ 574	pcs
FS29-4S ^{2/3}	Rain Sensor (ONDEIS) (for synchronized motor)	€ 939	pcs
FS30	CONNEXOON	€ 525	pcs
FS10-150ST5-H	Extra half pillar (150x150x5mm St.)	€ 210	pcs
FS10-150ST3	Extra pillar (150x150x3mm St.)	€ 1.252	pcs
FS10-150ST5	Extra pillar (150x150x5mm St.)	€ 1.751	pcs

EXTENSIONS

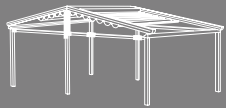
Beam Profile (Al. 40x120mm)	€ 67	lm
Beam Profile (Al. 42x150mm)	€ 105	lm
Beam Profile (Al. 50x150mm)	€ 186	lm
Beam Profile (Al. 100x150mm)	€ 155	lm
Beam Profile (St. 100x150x3mm)	€ 320	lm
Beam Profile (St. 100x150x5mm)	€ 388	lm
Beam Profile (St. 100x200x3mm)	€ 325	lm
Beam Profile (St. 100x200x5mm)	€ 462	lm
Fabric protection cover (Al. - 63x___cm)	€ 60	m ²
L1200 Gutter	€ 64	lm

PRICE DIFFERENCE

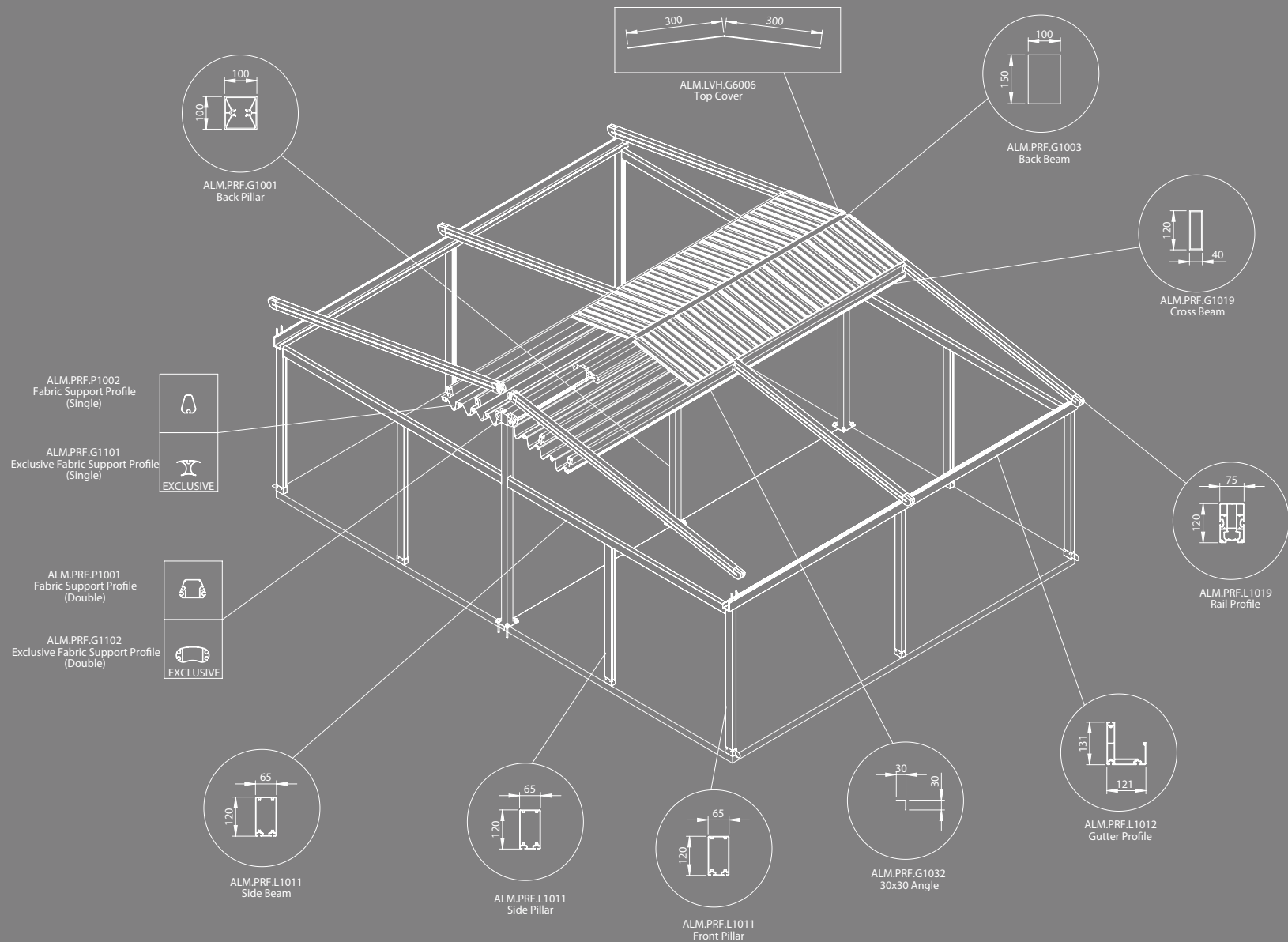
		BEAM GROUP	
		Standard	Al. 40x120mm
Back Beam	to	Al. 42x150mm	€ 40 lm
		Al. 50x150mm	€ 122 lm
		Al. 80x130mm	€ 31 lm
		St. 50x150x3mm	€ 156 lm
		St. 50x150x5mm	€ 244 lm
		Al. 100x150mm	€ 89 lm
		St. 100x150x3mm	€ 262 lm
		St. 100x150x5mm	€ 336 lm
		St. 100x200x3mm	€ 266 lm
		St. 100x200x5mm	€ 410 lm

Notes:

1. Fabric support profiles can be painted in the same color as the general construction. No fee is paid for this process. However, the plastic color should be specified from our standard plastic colours in Palmiye Color Chart.
2. For one product, a dry contact transmitter costing 370€, must be added.
3. Up to 5 products, a RS485 Automation interface dry contact transmitter costing 1126€, must be added.
4. The prices in the main table are for wall mounted products. This model also can be made as freestanding. For freestanding applications "FS10-150ST3" or "FS10-150ST5" pillar options and "St. 150x150x3mm" or "St. 150x150x5mm" back beam options should be added to the main prices.



TWIN STANDING SYSTEM WITH FRONT PILLAR 1200 SERIES



Freestanding products must have flanges on the pillars.

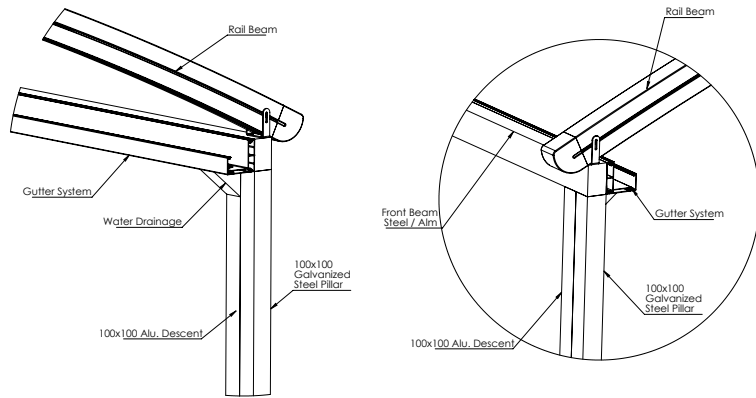
TECHNICAL DETAILS

WATER DRAIN&GUTTER CALCULATION

PRODUCT TYPE	MAX. M ²	USED PRODUCT TYPE
WATER DRAINAGE 45	34m ²	1200 Series Standard

*There should be at least one drainage, each 8 m length gutter.

APPLICATION FORM IN STEEL FRONT BEAM AND DEVICE



* In use of aluminum front pillar of 100*100 and front beam of 100*150 water drain, is applied from the available pillar. No external descent is applied.

MINIMUM SLOPE CHART

Slope	Rail Center										
	200	225	250	275	300	325	350	375	400	425	450
6,4-7,9%	11	14	16	19	21	23	25	28	30	33	35
7,4-8,8%	15	18	21	24	26	29	32	35	37	40	43
8,4-9,7%	18	22	25	29	32	35	38	41	44	48	51
9,4-10,8%	22	26	30	34	37	41	44	48	52	56	59
10,4-12%	27	31	35	39	43	47	51	55	59	64	68
11,2-12,7%	31	36	40	45	49	54	58	63	67	72	76
12-13,4%	35	40	45	50	55	60	65	70	75	80	85
13-14,5%	39	45	50	56	61	67	72	78	83	89	94
14-15,7%											
15-16,6%											
16-17,6%											

*Note: Max. slope can be up to 25%
For back height of system 25 cm should be added to slope value.

TERMS OF USE OF MIDDLE PILLAR AND BEAM FOR TWIN STANDING SYSTEM (STANDART)

		PRODUCT WIDTH																	
		450	500	550	600	650	700	750	800	850	900	950	1000	1050	1100	1150	1200	1250	1300
PROJECTION	800	A	A	A	A	A	A	A	A	A	A	A	A	A	A	A	A	A	A
	900	A	A	A	A	A	A	A	A	A	A	A	A	A	A	A	A	A	A
	1000	A	A	A	A	A	A	A	A	A	A	A	A	A	A	A	A	A	A
	1100	A	A	A	A	A	A	A	A	A	A	A	A	A	A	A	A	A	A
	1200	A	A	A	A	A	A	A	A	A	A	A	A	A	A	A	A	A	A
	GROUND FLANGE BACK PILLAR BACK BEAM		A			200*200*10 FLANGE ALU 100*100 ALU 100*150 ALU													

* Price of middle pillar and beam is included in the list price for twin standing system.

TERMS OF USE OF MIDDLE PILLAR AND BEAM

		OUT TO OUT PILLAR SIZE						
		500	550	600	700	750	800	900
PROJECTION	800	B	B	B	C	D	D	D
	900	B	B	B	C	D	D	D
	1000	B	B	B	C	D	D	D
	1100	B	B	C	C	D	D	D
	1200	B	C	C	C	D	D	D
F. PILLAR F. BEAM	B	100*100 ALU 100*150 ALU	C	100*100*3 G.S 100*150*3 G.S	D	100*100*5 G.S 100*200*5 G.S		

* Use of middle pillar and beam should be additionally priced.
* Floor mounting of the pillar is performed with flange of 200*200*10 mm or ground anchor.
* Maximum height is 4m for aluminum middle pillars and 5m for steel middle pillars.

TERMS OF USE OF FRONT PILLAR AND BEAM

		OUT TO OUT PILLAR SIZE				
		450	550	600	650	700
PROJECTION	800	A	A	B	B	C
	900	A	A	B	B	C
	1000	A	A	B	C	C
	1100	A	B	B	C	C
	1200	A	B	C	C	C
F. PILLAR F. BEAM	A	100*100 ALU 100*150 ALU	B	100*100*3 G.S 100*150*3 G.S	C	100*100*5 G.S 100*200*5 G.S

* Use of front pillar and beam should be additionally priced.
* Ground mounting of the pillar is performed with flange of 200x200x10 or 100x100 stainless ground anchor.
* Application is made behind the gutter system.
* Maximum height is 4m for aluminum front pillars and 5m for steel front pillars.
* If front pillar and beam is made of steel, water drain is given from empty aluminum box profile of 100*100.



TWIN STANDING SYSTEM WITH FRONT PILLAR 1200 SERIES

		WIDTH																				FS4-L1200 (R99) FS10-L1200 (ALM-08)	FS9-PD		
		2 RAIL					3 RAIL										4 RAIL								
		250 cm	300 cm	350 cm	400 cm	450 cm	500 cm	550 cm	600 cm	650 cm	700 cm	750 cm	800 cm	850 cm	900 cm	950 cm	1000 cm	1050 cm	1100 cm	1150 cm	1200 cm			1250 cm	1300 cm
PROJECTION	400 cm	€ 8.376	€ 8.773	€ 9.281	€ 9.844	€ 11.309	€ 11.901	€ 12.299	€ 12.842	€ 13.337	€ 13.679	€ 14.160	€ 14.701	€ 16.579	€ 16.971	€ 17.548	€ 17.941	€ 18.336	€ 18.728	€ 19.269	€ 19.585	€ 20.071	€ 20.463	€ 1.539	€ 38
	450 cm	€ 8.666	€ 9.073	€ 9.592	€ 10.165	€ 11.734	€ 12.335	€ 12.742	€ 13.296	€ 13.802	€ 14.152	€ 14.644	€ 15.194	€ 17.182	€ 17.584	€ 18.172	€ 18.574	€ 18.978	€ 19.380	€ 19.932	€ 20.254	€ 20.749	€ 21.151	€ 1.636	€ 46
	500 cm	€ 8.952	€ 9.368	€ 9.897	€ 10.482	€ 12.153	€ 12.764	€ 13.180	€ 13.743	€ 14.261	€ 14.617	€ 15.119	€ 15.680	€ 17.777	€ 18.190	€ 18.786	€ 19.199	€ 19.612	€ 20.023	€ 20.584	€ 20.915	€ 21.423	€ 21.834	€ 1.736	€ 54
	550 cm	€ 9.441	€ 10.065	€ 10.648	€ 11.286	€ 13.087	€ 13.752	€ 14.369	€ 14.835	€ 15.555	€ 15.959	€ 16.511	€ 17.124	€ 19.299	€ 19.785	€ 20.456	€ 20.942	€ 21.557	€ 22.019	€ 22.632	€ 23.006	€ 23.562	€ 24.173	€ 1.833	€ 62
	600 cm	€ 9.736	€ 10.371	€ 10.964	€ 11.611	€ 13.516	€ 14.190	€ 14.821	€ 15.298	€ 16.024	€ 16.436	€ 16.998	€ 17.623	€ 19.975	€ 20.447	€ 21.106	€ 21.580	€ 22.204	€ 22.677	€ 23.299	€ 23.680	€ 24.246	€ 24.868	€ 1.930	€ 69
	650 cm	€ 10.022	€ 10.669	€ 11.272	€ 11.929	€ 13.934	€ 14.621	€ 15.262	€ 15.748	€ 16.485	€ 16.840	€ 17.409	€ 18.041	€ 20.568	€ 21.054	€ 21.725	€ 22.211	€ 22.766	€ 23.326	€ 23.958	€ 24.346	€ 24.924	€ 25.554	€ 2.030	€ 77
	700 cm	€ 10.312	€ 10.968	€ 11.579	€ 12.251	€ 14.360	€ 15.055	€ 15.702	€ 16.202	€ 16.949	€ 17.309	€ 17.889	€ 18.531	€ 21.174	€ 21.667	€ 22.346	€ 22.840	€ 23.481	€ 23.975	€ 24.620	€ 25.013	€ 25.603	€ 26.241	€ 2.127	€ 85
	750 cm	€ 10.600	€ 11.266	€ 11.890	€ 12.567	€ 14.783	€ 15.489	€ 16.147	€ 16.654	€ 17.414	€ 17.779	€ 18.367	€ 19.019	€ 21.776	€ 22.280	€ 22.968	€ 23.471	€ 24.123	€ 24.627	€ 25.279	€ 25.681	€ 26.278	€ 26.929	€ 2.224	€ 93
	800 cm	€ 10.986	€ 11.668	€ 12.308	€ 13.001	€ 15.344	€ 16.065	€ 16.738	€ 17.260	€ 18.039	€ 18.415	€ 19.015	€ 19.684	€ 22.581	€ 23.099	€ 23.803	€ 24.321	€ 24.990	€ 25.508	€ 26.175	€ 26.589	€ 27.200	€ 27.865	€ 2.323	€ 101
	850 cm	€ 12.985	€ 13.607	€ 14.399	€ 15.273	€ 15.906	€ 18.445	€ 19.065	€ 19.911	€ 20.679	€ 21.208	€ 21.910	€ 22.752	€ 23.601	€ 23.978	€ 27.159	€ 27.770	€ 28.382	€ 28.989	€ 29.831	€ 30.319	€ 31.075	€ 31.683	€ 2.421	€ 109
	900 cm	€ 13.220	€ 13.849	€ 14.647	€ 15.530	€ 16.172	€ 18.792	€ 19.419	€ 20.272	€ 21.049	€ 21.585	€ 22.295	€ 23.144	€ 24.001	€ 24.384	€ 27.653	€ 28.271	€ 28.887	€ 29.506	€ 30.355	€ 30.846	€ 31.611	€ 32.226	€ 2.518	€ 116
	950 cm	€ 13.448	€ 14.086	€ 14.892	€ 15.784	€ 16.433	€ 19.133	€ 19.766	€ 20.627	€ 21.414	€ 21.955	€ 22.672	€ 23.530	€ 24.396	€ 24.786	€ 28.139	€ 28.764	€ 29.390	€ 30.013	€ 30.871	€ 31.370	€ 32.142	€ 32.764	€ 2.617	€ 124
1000 cm	€ 13.677	€ 14.322	€ 15.139	€ 16.038	€ 16.696	€ 19.476	€ 20.114	€ 20.983	€ 21.780	€ 22.325	€ 23.051	€ 23.916	€ 24.793	€ 25.188	€ 28.625	€ 29.259	€ 29.892	€ 30.521	€ 31.388	€ 31.893	€ 32.673	€ 33.303	€ 2.716	€ 132	
1050 cm	€ 14.065	€ 14.873	€ 15.729	€ 16.672	€ 17.369	€ 20.252	€ 21.047	€ 21.841	€ 22.795	€ 23.376	€ 24.141	€ 25.049	€ 25.964	€ 26.518	€ 29.935	€ 30.625	€ 31.414	€ 32.086	€ 32.991	€ 33.530	€ 34.349	€ 35.135	€ 2.813	€ 139	
1100 cm	€ 14.453	€ 15.423	€ 16.318	€ 17.305	€ 18.043	€ 21.028	€ 21.980	€ 22.699	€ 23.808	€ 24.429	€ 25.233	€ 26.180	€ 27.136	€ 27.847	€ 31.243	€ 31.990	€ 32.939	€ 33.650	€ 34.594	€ 35.166	€ 36.024	€ 36.967	€ 2.911	€ 147	
1150 cm	€ 14.689	€ 15.666	€ 16.572	€ 17.564	€ 18.311	€ 21.376	€ 22.338	€ 23.063	€ 24.180	€ 24.806	€ 25.619	€ 26.575	€ 27.538	€ 28.257	€ 31.754	€ 32.492	€ 33.448	€ 34.168	€ 35.119	€ 35.696	€ 36.563	€ 37.514	€ 3.008	€ 155	
1200 cm	€ 14.923	€ 15.909	€ 16.826	€ 17.823	€ 18.579	€ 21.723	€ 22.695	€ 23.429	€ 24.552	€ 25.184	€ 26.005	€ 26.968	€ 27.940	€ 28.666	€ 32.267	€ 32.994	€ 33.958	€ 34.687	€ 35.646	€ 36.229	€ 37.103	€ 38.061	€ 3.107	€ 163	

FS5-A	€ 43	€ 54	€ 64	€ 73	€ 84	€ 93	€ 105	€ 114	€ 125	€ 135	€ 146	€ 155	€ 166	€ 176	€ 187	€ 196	€ 208	€ 217	€ 228	€ 237	€ 249	€ 258
FS5-E	€ 59	€ 75	€ 88	€ 100	€ 116	€ 129	€ 144	€ 157	€ 173	€ 185	€ 201	€ 214	€ 229	€ 242	€ 257	€ 270	€ 286	€ 299	€ 314	€ 327	€ 342	€ 355

FS5-A	Additional Fabric Support Profile (Standard)
FS4-L1200 (R99) FS10-L1200 (ALM-08)	Additional Rail for L1200 Series - Al. - 75x120mm Additional Pillar for L1200 Series - Al. 65x120mm
FS8	Lighting System
FS9-PD	From FS9-L1200 (Y66) to FS9

FS8		LED TYPE & MODULE		
		2 LED	3 LED	4 LED
FS8-S	SPOT	€ 136	€ 165	€ 194
FS8-L	LINEAR	€ 194	€ 252	
FS8-LR	LINEAR (RGB)	€ 247	€ 320	

Notes:

1. If additional rail is required, it is also necessary to use a corresponding front pillar. Both parts are included in the price of option FS4-L1200+FS10-L1200(ALM-08).
2. FS9-L1200 (Y66) (Al. 65x120mm) Side Beam is included in the price for right and left side as a standard. For other option which is FS9 (Al. 50x150mm) side beam is extra cost. Also, please define on your technical drawing.
3. FS Flexy Plain/3D or Stam 6002 is included in the price.
4. Motor and Remote control is included in the price.
5. Palmiye Aluminium Coating Catalogue includes the standard colours with no extra cost. For any other type/brand/color of paint, price difference and additional delivery duration shall be checked from your customer representative.
6. Standard "Fabric support profile plastic colors" are specified in our Aluminium coating catalogue.

DEDUCTIONS

Price deduction is applicable only for pillars and beam. Deduction amount shall be consider as 70% of related option price.

OPTIONS			
FS10-L1200 (ALM-08)	Extra pillar (65x120mm Al.) for L1200 series	€ 203	pcs
FS10	Extra pillar (100x100mm Al.)	€ 540	pcs
FS10-ST3	Extra pillar (100x100x3mm St.)	€ 671	pcs
FS10-ST5	Extra pillar (100x100x5mm St.)	€ 978	pcs
FS11	Deco ceiling cover	€ 75	m ²
FS15	Side beam pillar (50x100mm - Al)	€ 280	pcs
FS15-B	Side beam pillar (100x100mm - Al)	€ 540	pcs
FS15-L1200 (ALM-12)	Side beam pillar (65x120mm - Al) for L1200 series	€ 203	pcs
FS19	Fix louver	€ 74	lm
FS23	External Square Downpipe	€ 330	pcs
FS24	W96 Ceiling Cover	€ 86	m ²
FS26	Exclusive fabric difference (up to 800cm width)	€ 51	m ²
FS29-1	Sun Sensor (SUNIS) (for single motor)	€ 625	pcs
FS29-1S	Sun Sensor (SUNIS) (for synchronized motor)	€ 989	pcs
FS29-2	Wind Sensor (EOLIS RTS) (for single motor)	€ 292	pcs
FS29-2S	Wind Sensor (EOLIS RTS) (for synchronized motor)	€ 657	pcs
FS29-3	Sun and Wind Sensor (SOLIRIS RTS) (for single motor)	€ 331	pcs
FS29-3S	Sun and Wind Sensor (SOLIRIS RTS) (for synchronized motor)	€ 696	pcs
FS29-4 ^{2/3}	Rain Sensor (ONDEIS) (for single motor)	€ 574	pcs
FS29-4S ^{2/3}	Rain Sensor (ONDEIS) (for synchronized motor)	€ 939	pcs
FS30	CONNEXOON	€ 525	pcs

EXTENSIONS		
L1200 Rail - 75x120mm	€ 152	lm
Beam Profile (Al. 100x150mm)	€ 155	lm
Beam Profile (St. 100x150x3mm)	€ 320	lm
Beam Profile (St. 100x150x5mm)	€ 388	lm
Beam Profile (St. 100x200x3mm)	€ 325	lm
Beam Profile (St. 100x200x5mm)	€ 462	lm
Fabric protection cover (Al. - 63x__cm)	€ 60	m ²
L1200 Gutter	€ 64	lm

*Max. Al. Front pillar (Al. 65x120mm) height is 280cm

*Max. St 3mm. Front pillar (St. 100x100x3mm) height is 380cm

*Max. St. 5mm Front pillar (St. 100x100x5mm) height is 480cm

PRICE DIFFERENCE				
BEAM GROUP				
Back Beam	Standard	Al. 100x150mm		
		St. 100x150x3mm	€ 160	lm
	to	St. 100x150x5mm	€ 238	lm
		St. 100x200x3mm	€ 165	lm
		St. 100x200x5mm	€ 311	lm
PILLAR GROUP				
Front Pillar	Standard	Al. 65x120mm		
		Al. 80x80mm	€ 197	pcs
		Al. 100x100mm	€ 342	pcs
	to	St. 100x100x3mm	€ 416	pcs
		St. 100x100x5mm	€ 729	pcs
		St. 150x150x3mm	€ 1.008	pcs
	St. 150x150x5mm	€ 1.516	pcs	
PILLAR GROUP				
Back Pillar	Standard	Al. 100x100mm		
		St. 100x100x3mm	€ 117	pcs
	to	St. 100x100x5mm	€ 479	pcs
		St. 150x150x3mm	€ 731	pcs
	St. 150x150x5mm	€ 1.294	pcs	

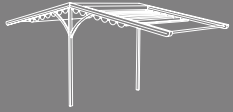
Notes:

1. Fabric support profiles can be painted in the same color as the general construction. No fee is paid for this process. However, the plastic color should be specified from our standard plastic colours in Palmiye Color Chart.

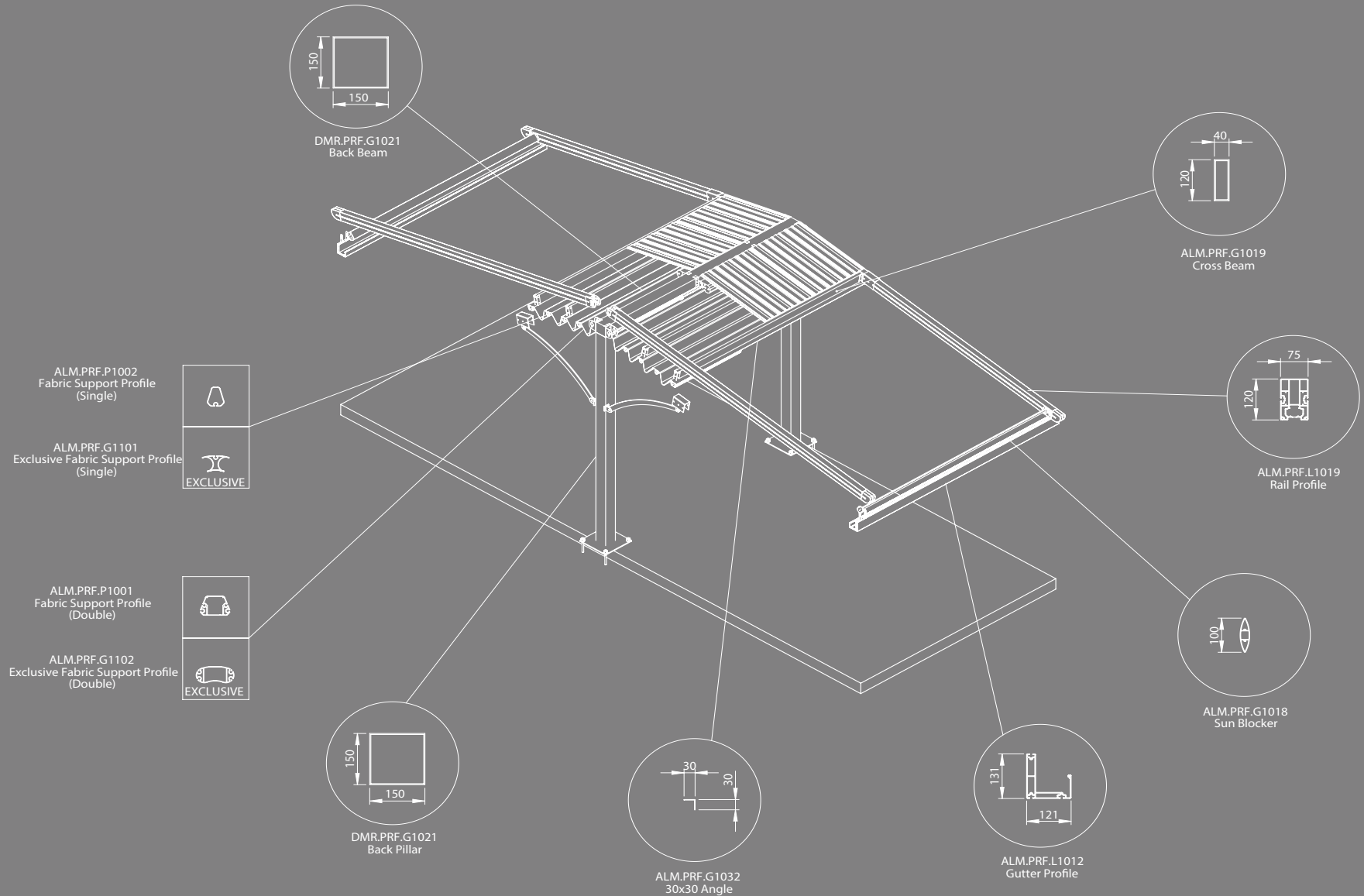
2. For one product, a dry contact transmitter costing 370€, must be added.

3. Up to 5 products, a RS485 Automation interface dry contact transmitter costing 1126€, must be added.

4. In pergolas including steel front pillars, if gutter option is preferred, external water drainage points will be specified according to the Project and will be priced additionally.



TWIN BRACKET SYSTEM 1200 SERIES



WATER DRAIN&GUTTER CALCULATION

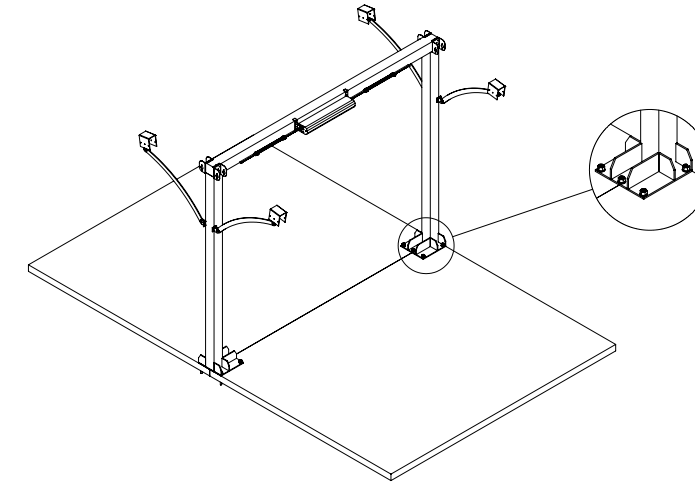
PRODUCT TYPE	MAX. M ²	USED PRODUCT TYPE
WATER DRAINAGE 45	34m ²	1200 Series Standard

*There should be at least one drainage, each 8 m length gutter.

MINIMUM SLOPE CHART

Slope	Rail Center										
	200	225	250	275	300	325	350	375	400	425	450
6,4-7,9%	11	14	16	19	21	23	25	28	30	33	35
7,4-8,8%	15	18	21	24	26	29	32	35	37	40	43
8,4-9,7%	18	22	25	29	32	35	38	41	44	48	51
9,4-10,8%	22	26	30	34	37	41	44	48	52	56	59
10,4-12%											
11,2-12,7%											
12-13,4%											
13-14,5%											
14-15,7%											
15-16,6%											
16-17,6%											

*Note: Max. slope can be up to 25%
For back height of system 25 cm should be added to slope value.



- * Distance between two pillars depends on the system width.
- * For the systems with 2 units next to each other, one of the pillars in the middle will be removed.
- * Strut support apparatus is used under each rail.
- * Pillar and beam are used as 150*150*3mm in standard.



TWIN BRACKET SYSTEM 1200 SERIES

		WIDTH					
		2 RAIL					
		250 cm	300 cm	350 cm	400 cm	450 cm	
PROJECTION	400 cm	€ 8.560	€ 8.957	€ 9.465	€ 10.028	€ 10.435	
	450 cm	€ 8.843	€ 9.250	€ 9.769	€ 10.342	€ 10.760	
	500 cm	€ 9.120	€ 9.540	€ 10.067	€ 10.651	€ 11.080	
	550 cm	€ 9.604	€ 10.230	€ 10.810	€ 11.448	€ 11.929	
	600 cm	€ 9.892	€ 10.526	€ 11.121	€ 11.768	€ 12.258	
	650 cm	€ 10.171	€ 10.819	€ 11.422	€ 12.078	€ 12.582	
	700 cm	€ 10.453	€ 11.109	€ 11.722	€ 12.392	€ 12.903	
	750 cm	€ 10.734	€ 11.402	€ 12.024	€ 12.701	€ 13.225	
	800 cm	€ 11.112	€ 11.797	€ 12.435	€ 13.128	€ 13.666	
		G23	€ 136	€ 141	€ 156	€ 169	€ 184
		FS5-A	€ 44	€ 56	€ 65	€ 75	€ 87
		FS5-E	€ 61	€ 77	€ 90	€ 103	€ 119

G23	L1200 Gutter System (One side)
FS5-A	Additional Fabric Support Profile (Standard)
FS8	Lighting System

Notes:

1. Modules can not be combined.
2. Side beam is not applicable.
3. FS Flexy Plain/3D or Stam 6002 is included in the price.
4. Motor and Remote control is included in the price.
5. Palmiye Aluminium Coating Catalogue includes the standard colours with no extra cost. For any other type/brand/coulor of paint, price difference and additional delivery duration shall be checked from your customer representative.
6. Standard "Fabric support profile plastic colors" are specified in our Aluminium coating catalogue.

FS8	
FS8-S	SPOT
FS8-L	LINEAR
FS8-LR	LINEAR (RGB)

LED TYPE & MODULE		
2 LED	3 LED	4 LED
€ 136	€ 165	€ 194
€ 194	€ 252	
€ 247	€ 320	

DEDUCTIONS

Price deduction is applicable only for back pillars and back beam. Deduction amount shall be consider as 70% of related option price.

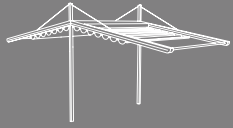
OPTIONS			
FS10	Extra pillar (100x100mm Al.)	€ 540	pcs
FS10-ST3	Extra pillar (100x100x3mm St.)	€ 671	pcs
FS10-ST5	Extra pillar (100x100x5mm St.)	€ 978	pcs
FS11	Deco ceiling cover	€ 75	m ²
FS15	Side beam pillar (50x100mm - Al)	€ 280	pcs
FS15-B	Side beam pillar (100x100mm - Al)	€ 540	pcs
FS15-L1200 (ALM-12)	Side beam pillar (65x120mm - Al) for L1200 series	€ 203	pcs
FS19	Fix louver	€ 74	lm
FS23	External Square Downpipe	€ 330	pcs
FS24	W96 Ceiling Cover	€ 86	m ²
FS26	Exclusive fabric difference (up to 800cm width)	€ 51	m ²
FS28-1	Stainless steel chain - 100 cm	€ 78	1m
FS28-2	Stainless steel chain - 200 cm	€ 153	2m
FS28-3	Stainless steel chain - 300 cm	€ 230	3m
FS28-4	Stainless steel chain - 400 cm	€ 306	4m
FS29-1	Sun Sensor (SUNIS) (for single motor)	€ 625	pcs
FS29-2	Wind Sensor (EOLIS RTS) (for single motor)	€ 292	pcs
FS29-3	Sun and Wind Sensor (SOLIRIS RTS) (for single motor)	€ 331	pcs
FS29-4	Rain Sensor (ONDEIS) (for single motor)	€ 574	pcs
FS30	CONNEXOON	€ 525	pcs
FS10-150ST3	Extra pillar (150x150x3mm St.)	€ 1.252	pcs
FS10-150ST5	Extra pillar (150x150x5mm St.)	€ 1.751	pcs

EXTENSIONS		
Beam Profile (Al. 100x150mm)	€ 155	lm
Beam Profile (St. 100x150x3mm)	€ 320	lm
Beam Profile (St. 100x150x5mm)	€ 388	lm
Beam Profile (St. 100x200x3mm)	€ 325	lm
Beam Profile (St. 100x200x5mm)	€ 462	lm
Fabric protection cover (Al. - 63x___cm)	€ 60	m ²
L1200 Gutter	€ 64	lm

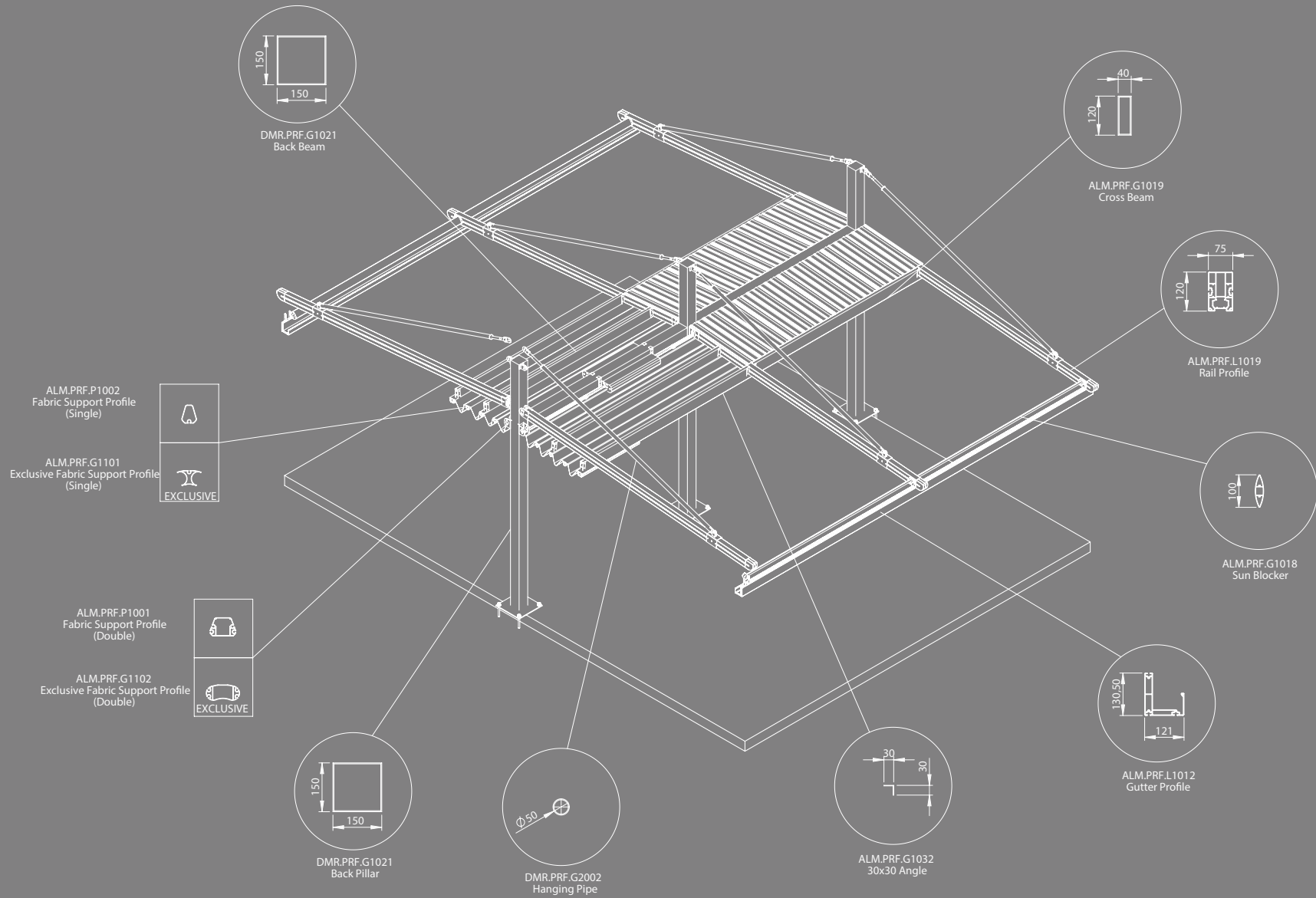
PRICE DIFFERENCE			
Back Beam	BEAM GROUP		
	Standard	St. 150x150x3mm	
	to	St. 100x150x5mm	€ 78 lm
		St. 100x200x3mm	€ 4 lm
	St. 100x200x5mm	€ 150 lm	
Pillar	PILLAR GROUP		
	Standard	St. 150x150x3mm	
	to	St. 150x150x5mm	€ 562 pcs

Notes:

1. Fabric support profiles can be painted in the same color as the general construction. No fee is paid for this process. However, the plastic color should be specified from our standard plastic colours in Palmiye Color Chart.
2. For one product, a dry contact transmitter costing 370€, must be added.
3. Up to 5 products, a RS485 Automation interface dry contact transmitter costing 1126€, must be added.
4. In pergolas including steel front pillars, if gutter option is preferred, external water drainage points will be specified according to the Project and will be priced additionally.
5. The prices in the main table are for wall mounted products. This model also can be made as freestanding. For freestanding applications "FS10-150ST3" or "FS10-150ST5" pillar options and "St. 150x150x3mm" or "St. 150x150x5mm" back beam options should be added to the main prices.



TWIN HANGING SYSTEM 1200 SERIES



WATER DRAIN&GUTTER CALCULATION

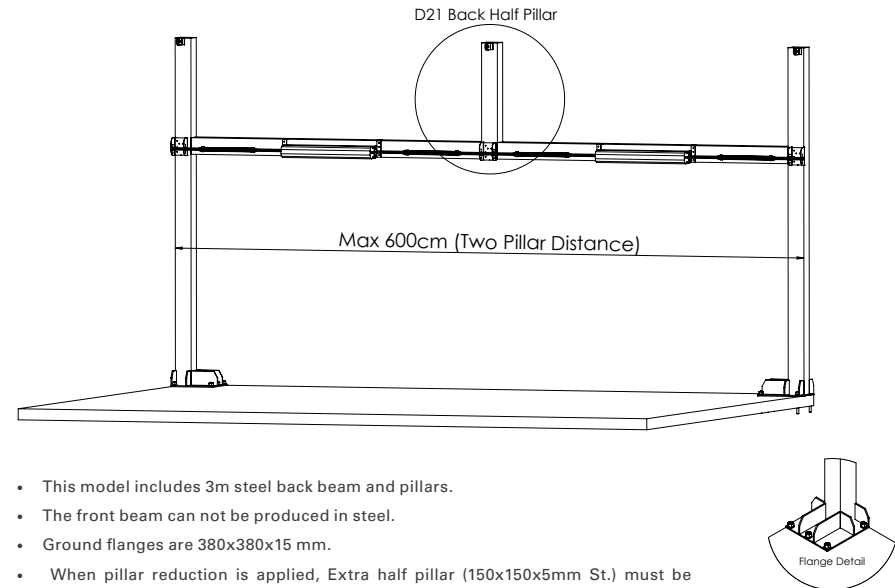
PRODUCT TYPE	MAX. M ²	USED PRODUCT TYPE
WATER DRAINAGE 45	34m ²	1200 Series Standard

*There should be at least one drainage, each 8 m length gutter.

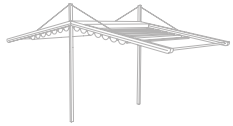
MINIMUM SLOPE CHART

Slope	Rail Center											
	200	225	250	275	300	325	350	375	400	425	450	
6,4-7,9%	11	14	16	19	21	23	25	28	30	33	35	
7,4-8,8%	15	18	21	24	26	29	32	35	37	40	43	
8,4-9,7%	18	22	25	29	32	35	38	41	44	48	51	
9,4-10,8%	22	26	30	34	37	41	44	48	52	56	59	
10,4-12%	27	31	35	39	43	47	51	55	59	64	68	
11,2-12,7%	31	36	40	45	49	54	58	63	67	72	76	
12-13,4%	35	40	45	50	55	60	65	70	75	80	85	
13-14,5%	39	45	50	56	61	67	72	78	83	89	94	
14-15,7%												
15-16,6%												
16-17,6%												

*Note: Max. slope can be up to 25%
For back height of system 25 cm should be added to slope value.



- This model includes 3m steel back beam and pillars.
- The front beam can not be produced in steel.
- Ground flanges are 380x380x15 mm.
- When pillar reduction is applied, Extra half pillar (150x150x5mm St.) must be installed at the back of each rail shaft, and all steel pillars should be 150x150x5 mm.
- In condition of adding an additional rail, a steel 150x150x3m back pillar should also be added.



TWIN HANGING SYSTEM 1200 SERIES

		WIDTH																					FS4-L1200 (R99)	
		2 RAIL					3 RAIL								4 RAIL									
		250 cm	300 cm	350 cm	400 cm	450 cm	500 cm	550 cm	600 cm	650 cm	700 cm	750 cm	800 cm	850 cm	900 cm	950 cm	1000 cm	1050 cm	1100 cm	1150 cm	1200 cm	1250 cm		1300 cm
PROJECTION	400 cm	€ 8.630	€ 9.027	€ 9.534	€ 10.097	€ 10.505	€ 12.355	€ 12.753	€ 13.296	€ 13.793	€ 14.135	€ 14.617	€ 15.157	€ 15.704	€ 15.948	€ 18.243	€ 18.636	€ 19.033	€ 19.423	€ 19.964	€ 20.281	€ 20.767	€ 21.158	€ 1.336
	450 cm	€ 8.912	€ 9.320	€ 9.838	€ 10.412	€ 10.830	€ 12.782	€ 13.191	€ 13.745	€ 14.251	€ 14.601	€ 15.092	€ 15.643	€ 16.200	€ 16.452	€ 18.860	€ 19.262	€ 19.666	€ 20.068	€ 20.620	€ 20.942	€ 21.437	€ 21.839	€ 1.433
	500 cm	€ 9.191	€ 9.609	€ 10.138	€ 10.721	€ 11.150	€ 13.205	€ 13.622	€ 14.185	€ 14.703	€ 15.060	€ 15.561	€ 16.122	€ 16.692	€ 16.951	€ 19.467	€ 19.880	€ 20.293	€ 20.704	€ 21.265	€ 21.596	€ 22.103	€ 22.514	€ 1.533
	550 cm	€ 9.674	€ 10.299	€ 10.880	€ 11.518	€ 11.999	€ 14.185	€ 14.803	€ 15.269	€ 15.990	€ 16.393	€ 16.946	€ 17.559	€ 18.179	€ 18.642	€ 21.129	€ 21.616	€ 22.232	€ 22.695	€ 23.306	€ 23.680	€ 24.235	€ 24.847	€ 1.630
	600 cm	€ 9.962	€ 10.596	€ 11.191	€ 11.838	€ 12.328	€ 14.617	€ 15.246	€ 15.723	€ 16.451	€ 16.864	€ 17.426	€ 18.050	€ 18.679	€ 19.153	€ 21.771	€ 22.245	€ 22.870	€ 23.344	€ 23.966	€ 24.346	€ 24.913	€ 25.535	€ 1.727
	650 cm	€ 10.240	€ 10.889	€ 11.491	€ 12.149	€ 12.651	€ 15.041	€ 15.680	€ 16.168	€ 16.906	€ 17.260	€ 17.829	€ 18.461	€ 19.092	€ 19.578	€ 22.384	€ 22.870	€ 23.428	€ 23.985	€ 24.618	€ 25.006	€ 25.581	€ 26.214	€ 1.827
	700 cm	€ 10.523	€ 11.179	€ 11.792	€ 12.462	€ 12.973	€ 15.468	€ 16.115	€ 16.615	€ 17.362	€ 17.721	€ 18.302	€ 18.944	€ 19.591	€ 20.080	€ 22.999	€ 23.492	€ 24.135	€ 24.629	€ 25.272	€ 25.665	€ 26.255	€ 26.893	€ 1.924
	750 cm	€ 10.803	€ 11.472	€ 12.094	€ 12.773	€ 13.295	€ 15.893	€ 16.551	€ 17.058	€ 17.820	€ 18.184	€ 18.774	€ 19.424	€ 20.080	€ 20.581	€ 23.612	€ 24.116	€ 24.770	€ 25.274	€ 25.924	€ 26.326	€ 26.923	€ 27.572	€ 2.021
	800 cm	€ 11.182	€ 11.867	€ 12.506	€ 13.198	€ 13.736	€ 16.463	€ 17.137	€ 17.657	€ 18.438	€ 18.813	€ 19.414	€ 20.082	€ 20.751	€ 21.269	€ 24.439	€ 24.958	€ 25.628	€ 26.146	€ 26.813	€ 27.227	€ 27.838	€ 28.503	€ 2.120
	850 cm	€ 13.175	€ 13.799	€ 14.588	€ 15.462	€ 16.095	€ 18.837	€ 19.455	€ 20.300	€ 21.070	€ 21.599	€ 22.302	€ 23.144	€ 23.992	€ 24.370	€ 27.790	€ 28.400	€ 29.013	€ 29.620	€ 30.462	€ 30.950	€ 31.706	€ 32.312	€ 2.219
	900 cm	€ 13.400	€ 14.031	€ 14.830	€ 15.713	€ 16.354	€ 19.174	€ 19.802	€ 20.654	€ 21.433	€ 21.968	€ 22.679	€ 23.528	€ 24.384	€ 24.768	€ 28.274	€ 28.893	€ 29.511	€ 30.130	€ 30.978	€ 31.470	€ 32.233	€ 32.848	€ 2.315
	950 cm	€ 13.622	€ 14.261	€ 15.067	€ 15.959	€ 16.608	€ 19.508	€ 20.141	€ 21.003	€ 21.791	€ 22.330	€ 23.049	€ 23.907	€ 24.773	€ 25.161	€ 28.753	€ 29.379	€ 30.006	€ 30.630	€ 31.486	€ 31.986	€ 32.757	€ 33.380	€ 2.414
1000 cm	€ 13.843	€ 14.490	€ 15.305	€ 16.206	€ 16.862	€ 19.843	€ 20.482	€ 21.351	€ 22.150	€ 22.693	€ 23.419	€ 24.284	€ 25.161	€ 25.556	€ 29.234	€ 29.867	€ 30.501	€ 31.130	€ 31.995	€ 32.501	€ 33.282	€ 33.911	€ 2.513	
1050 cm	€ 14.065	€ 14.721	€ 15.543	€ 16.451	€ 17.116	€ 20.179	€ 20.822	€ 21.698	€ 22.507	€ 23.056	€ 23.790	€ 24.663	€ 25.549	€ 25.949	€ 29.713	€ 30.353	€ 30.996	€ 31.631	€ 32.505	€ 33.018	€ 33.806	€ 34.444	€ 2.610	
1100 cm	€ 14.286	€ 14.949	€ 15.781	€ 16.697	€ 17.371	€ 20.513	€ 21.162	€ 22.046	€ 22.865	€ 23.419	€ 24.160	€ 25.041	€ 25.937	€ 26.344	€ 30.192	€ 30.841	€ 31.491	€ 32.131	€ 33.012	€ 33.534	€ 34.329	€ 34.974	€ 2.708	
1150 cm	€ 14.508	€ 15.180	€ 16.018	€ 16.942	€ 17.625	€ 20.847	€ 21.503	€ 22.395	€ 23.224	€ 23.782	€ 24.530	€ 25.419	€ 26.326	€ 26.737	€ 30.671	€ 31.327	€ 31.986	€ 32.632	€ 33.522	€ 34.051	€ 34.853	€ 35.507	€ 2.805	
1200 cm	€ 14.730	€ 15.409	€ 16.256	€ 17.189	€ 17.879	€ 21.181	€ 21.843	€ 22.743	€ 23.581	€ 24.144	€ 24.902	€ 25.797	€ 26.714	€ 27.132	€ 31.150	€ 31.815	€ 32.480	€ 33.134	€ 34.029	€ 34.567	€ 35.377	€ 36.040	€ 2.904	
G23	€ 136	€ 141	€ 156	€ 169	€ 184	€ 216	€ 213	€ 228	€ 241	€ 253	€ 327	€ 342	€ 354	€ 369	€ 386	€ 399	€ 411	€ 429	€ 441	€ 454	€ 470	€ 485		
FS5-A	€ 44	€ 56	€ 65	€ 75	€ 87	€ 96	€ 108	€ 117	€ 129	€ 139	€ 150	€ 160	€ 171	€ 181	€ 192	€ 202	€ 214	€ 223	€ 235	€ 244	€ 256	€ 266		
FS5-E	€ 61	€ 77	€ 90	€ 103	€ 119	€ 132	€ 148	€ 162	€ 178	€ 191	€ 207	€ 220	€ 236	€ 249	€ 265	€ 278	€ 294	€ 307	€ 323	€ 336	€ 352	€ 366		

G23	L1200 Gutter System (One side)
FS5-A	Additional Fabric Support Profile (Standard)
FS8	Lighting System
FS4-L1200 (R99)	Additional Rail- Al.- 75x120mm

FS8	
FS8-S	SPOT
FS8-L	LINEAR
FS8-LR	LINEAR (RGB)

LED TYPE & MODULE		
2 LED	3 LED	4 LED
€ 136	€ 165	€ 194
€ 194	€ 252	
€ 247	€ 320	

Notes:

1. FS Flexy Plain/3D or Stam 6002 is included in the price.
2. Motor and Remote control is included in the price.
3. Palmiye Aluminium Coating Catalogue includes the standard colours with no extra cost. For any other type/brand/color of paint, price difference and additional delivery duration shall be checked from your customer representative.
4. Standard "Fabric support profile plastic colors" are specified in our Aluminium coating catalogue.

DEDUCTIONS

Price deduction is applicable only for back pillars and back beam. Deduction amount shall be consider as 70% of related option price.

OPTIONS

FS10	Extra pillar (100x100mm AL)	€ 540	pcs
FS10-ST3	Extra pillar (100x100x3mm St.)	€ 671	pcs
FS10-ST5	Extra pillar (100x100x5mm St.)	€ 978	pcs
FS11	Deco ceiling cover	€ 75	m ²
FS15	Side beam pillar (50x100mm - Al)	€ 280	pcs
FS15-B	Side beam pillar (100x100mm - Al)	€ 540	pcs
FS15-L1200 (ALM-12)	Side beam pillar (65x120mm - Al) for L1200 series	€ 203	pcs
FS19	Fix louver	€ 74	lm
FS23	External Square Downpipe	€ 330	pcs
FS24	W96 Ceiling Cover	€ 86	m ²
FS26	Exclusive fabric difference (up to 800cm width)	€ 51	m ²
FS28-1	Stainless steel chain - 100 cm	€ 78	1m
FS28-2	Stainless steel chain - 200 cm	€ 153	2m
FS28-3	Stainless steel chain - 300 cm	€ 230	3m
FS28-4	Stainless steel chain - 400 cm	€ 306	4m
FS29-1	Sun Sensor (SUNIS) (for single motor)	€ 625	pcs
FS29-1S	Sun Sensor (SUNIS) (for synchronized motor)	€ 989	pcs
FS29-2	Wind Sensor (EOLIS RTS) (for single motor)	€ 292	pcs
FS29-2S	Wind Sensor (EOLIS RTS) (for synchronized motor)	€ 657	pcs
FS29-3	Sun and Wind Sensor (SOLIRIS RTS) (for single motor)	€ 331	pcs
FS29-3S	Sun and Wind Sensor (SOLIRIS RTS) (for synchronized motor)	€ 696	pcs
FS29-4	Rain Sensor (ONDEIS) (for single motor)	€ 574	pcs
FS29-4S	Rain Sensor (ONDEIS) (for synchronized motor)	€ 939	pcs
FS30	CONNEXOON	€ 525	pcs
FS10-150ST5-H	Extra half pillar (150x150x5mm St.)	€ 210	pcs
FS10-150ST3	Extra pillar (150x150x3mm St.)	€ 1.252	pcs
FS10-150ST5	Extra pillar (150x150x5mm St.)	€ 1.751	pcs

EXTENSIONS

Beam Profile (Al. 100x150mm)	€ 155	lm
Beam Profile (St. 100x150x3mm)	€ 320	lm
Beam Profile (St. 100x150x5mm)	€ 388	lm
Beam Profile (St. 100x200x3mm)	€ 325	lm
Beam Profile (St. 100x200x5mm)	€ 462	lm
Fabric protection cover (Al. - 63x__cm)	€ 60	m ²
L1200 Gutter	€ 64	lm

PRICE DIFFERENCE

BEAM GROUP

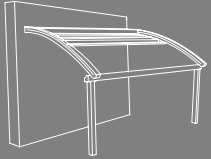
Back Beam	Standard	St. 100x150x3mm		
		St. 100x150x5mm	€ 78	lm
	to	St. 100x200x3mm	€ 4	lm
		St. 100x200x5mm	€ 150	lm

PILLAR GROUP

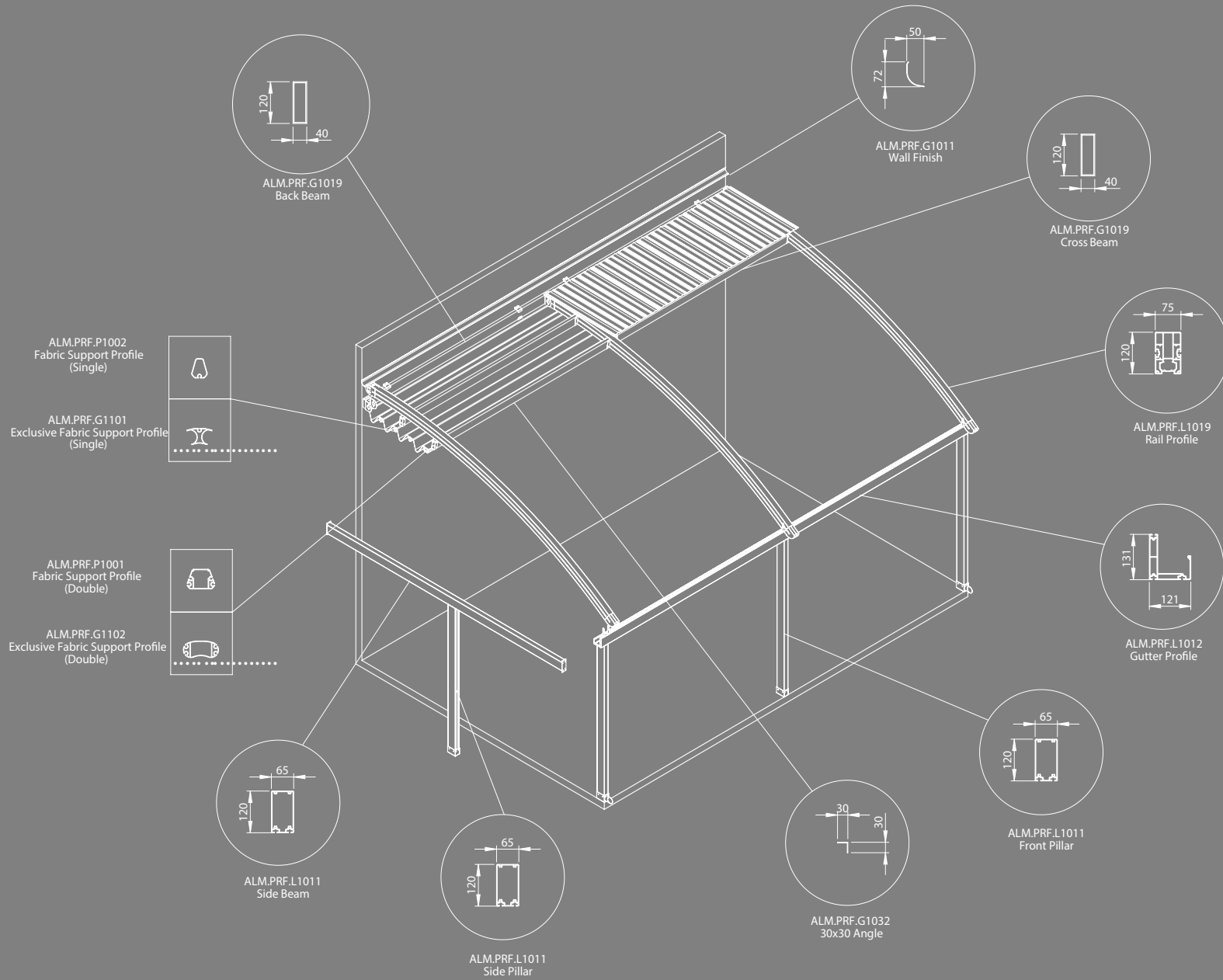
Pillar	Standard	St. 150x150x3mm		
	to	St. 150x150x5mm	€ 562	pcs

Notes:

1. Fabric support profiles can be painted in the same color as the general construction. No fee is paid for this process. However, the plastic color should be specified from our standard plastic colours in Palmiye Color Chart.
2. For one product, a dry contact transmitter costing 370€, must be added.
3. Up to 5 products, a RS485 Automation interface dry contact transmitter costing 1126€, must be added.
4. In pergolas including steel front pillars, if gutter option is preferred, external water drainage points will be specified according to the Project and will be priced additionally.
5. The prices in the main table are for wall mounted products. This model also can be made as freestanding. For freestanding applications "FS10-150ST3" or "FS10-150ST5" pillar options and "St. 150x150x3mm" or "St. 150x150x5mm" back beam options should be added to the main prices.



STANDING SYSTEM WITH FRONT PILLAR 1200 SERIES



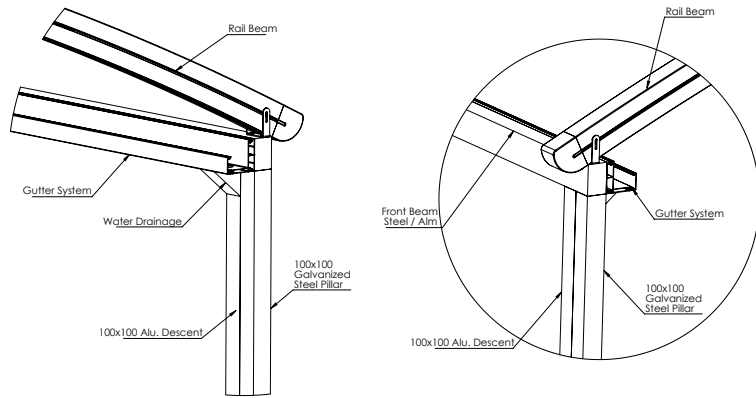
TECHNICAL DETAILS

WATER DRAIN&GUTTER CALCULATION

PRODUCT TYPE	MAX. M ²	USED PRODUCT TYPE
WATER DRAINAGE 45	34m ²	1200 Series Standard

*There should be at least one drainage, each 8 m length gutter.

APPLICATION FORM IN STEEL FRONT BEAM AND DEVICE



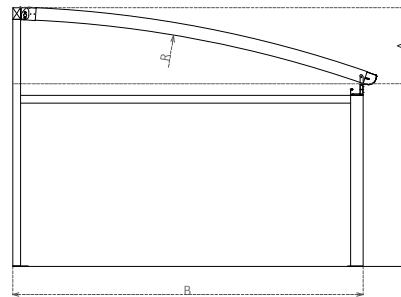
* In use of aluminum front pillar of 100*100 and front beam of 100*150 water drain, is applied from the available pillar. No external descent is applied.

RADIUS CHART

RADIUS	850	1500	2850
--------	-----	------	------

Projection	A			B
250	63			
300	83			
350	107			
400	135	82		
450	168	98		
500		116		
550		137		
600		160	93	

*The values are approx. ± 5 cm



BACK BEAM PROFILE TYPE (INCLUDED IN PERGOLA PRICE)

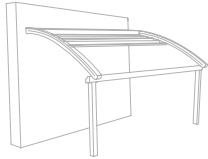
		PRODUCT WIDTH							
		FROM 200CM TO 1300CM							
PROJECTION	200	E	E	E	E	E	E	E	E
	300	E	E	E	E	E	E	E	E
	400	E	E	E	E	E	E	E	E
	500	E	E	E	E	E	E	E	E
	600	E	E	E	E	E	E	E	E
BACK BEAM		E	40*120 ALU						

* Utilization table of back beam is included in the list price.

FRONT PILLAR REDUCTION CONDITIONS

		OUT TO OUT PILLAR SIZE						
		450	500	600	700	750	800	900
PROJECTION	200	A	A	B	B	C	C	C
	300	A	A	B	B	C	C	C
	400	A	A	B	B	C	C	C
	500	A	A	B	B	C	C	C
	600	A	A	B	B	C	C	C
F. PILLAR F. BEAM	A	100*100 ALU 100*150 ALU	B	100*100*3 G.S 100*150*3 G.S	C	100*100*5 G.S 100*200*5 G.S		

- * The front pillar reduction use table should be additionally priced.
- * Ground mounting is performed with flange of 200*200*10 mm or ground anchor of standard 1200 series 65*120.
- * Application is made behind the gutter system.
- * Maximum height is 400 cm for aluminum front pillars.
- * Maximum height is 500 cm for steel front pillars.
- * If front pillar and beam is made of steel, water drain is given from empty aluminum box profile of 100*100.



STANDING SYSTEM WITH FRONT PILLAR 1200 SERIES

		WIDTH																				FS4-L1200 (R99) FS10-L1200 (ALM-08)	FS9-L1200 (Y66)	FS9 (Y65)		
		2 RAIL				3 RAIL								4 RAIL						5 RAIL						
		250 cm	300 cm	350 cm	400 cm	450 cm	500 cm	550 cm	600 cm	650 cm	700 cm	750 cm	800 cm	850 cm	900 cm	950 cm	1000 cm	1050 cm	1100 cm	1150 cm	1200 cm				1250 cm	1300 cm
PROJECTION	200 cm	€ 5.638	€ 5.912	€ 6.303	€ 6.704	€ 7.618	€ 7.902	€ 8.180	€ 8.456	€ 8.950	€ 9.189	€ 9.551	€ 9.825	€ 11.065	€ 11.341	€ 11.619	€ 11.893	€ 12.168	€ 12.444	€ 12.718	€ 12.941	€ 13.297	€ 13.701	€ 1.146	€ 205	€ 242
	250 cm	€ 5.877	€ 6.294	€ 6.676	€ 6.971	€ 7.970	€ 8.262	€ 8.679	€ 8.964	€ 9.337	€ 9.584	€ 9.953	€ 10.367	€ 11.831	€ 11.984	€ 12.137	€ 12.420	€ 12.833	€ 13.116	€ 13.399	€ 13.627	€ 13.993	€ 14.407	€ 1.245	€ 246	€ 292
	300 cm	€ 6.298	€ 6.763	€ 7.190	€ 7.534	€ 8.646	€ 8.986	€ 9.448	€ 9.780	€ 10.197	€ 10.485	€ 10.900	€ 11.359	€ 12.944	€ 13.144	€ 13.344	€ 13.672	€ 14.132	€ 14.459	€ 14.789	€ 15.056	€ 15.466	€ 15.921	€ 1.343	€ 288	€ 343
	350 cm	€ 6.680	€ 7.018	€ 7.456	€ 7.941	€ 9.137	€ 9.486	€ 9.828	€ 10.297	€ 10.725	€ 11.018	€ 11.444	€ 11.913	€ 13.731	€ 13.932	€ 14.136	€ 14.473	€ 14.811	€ 15.146	€ 15.614	€ 15.886	€ 16.305	€ 16.642	€ 1.440	€ 330	€ 393
	400 cm	€ 6.928	€ 7.277	€ 7.723	€ 8.218	€ 9.500	€ 9.860	€ 10.211	€ 10.688	€ 11.122	€ 11.425	€ 11.859	€ 12.335	€ 14.236	€ 14.452	€ 14.671	€ 15.016	€ 15.364	€ 15.707	€ 16.183	€ 16.463	€ 16.892	€ 17.236	€ 1.539	€ 374	€ 443
	450 cm	€ 7.185	€ 7.541	€ 7.996	€ 8.502	€ 9.874	€ 10.242	€ 10.601	€ 11.088	€ 11.532	€ 11.841	€ 12.284	€ 12.769	€ 14.768	€ 14.992	€ 15.218	€ 15.572	€ 15.926	€ 16.281	€ 16.765	€ 17.050	€ 17.486	€ 17.838	€ 1.636	€ 416	€ 493
	500 cm	€ 7.435	€ 7.802	€ 8.267	€ 8.779	€ 10.242	€ 10.619	€ 10.985	€ 11.480	€ 11.937	€ 12.250	€ 12.703	€ 13.194	€ 15.296	€ 15.525	€ 15.756	€ 16.121	€ 16.484	€ 16.845	€ 17.338	€ 17.630	€ 18.076	€ 18.438	€ 1.736	€ 458	€ 543
550 cm	€ 7.868	€ 8.413	€ 8.924	€ 9.486	€ 11.063	€ 11.485	€ 12.027	€ 12.437	€ 13.068	€ 13.424	€ 13.920	€ 14.460	€ 16.404	€ 16.810	€ 17.218	€ 17.646	€ 18.186	€ 18.592	€ 19.131	€ 19.459	€ 19.949	€ 20.485	€ 1.833	€ 500	€ 593	
600 cm	€ 8.126	€ 8.682	€ 9.205	€ 9.773	€ 11.438	€ 11.871	€ 12.423	€ 12.843	€ 13.481	€ 13.844	€ 14.349	€ 14.896	€ 16.956	€ 17.371	€ 17.788	€ 18.205	€ 18.754	€ 19.169	€ 19.716	€ 20.051	€ 20.548	€ 21.095	€ 1.930	€ 542	€ 643	
FS5-A		€ 44	€ 56	€ 65	€ 75	€ 87	€ 96	€ 108	€ 117	€ 129	€ 139	€ 150	€ 160	€ 171	€ 181	€ 192	€ 202	€ 214	€ 223	€ 235	€ 244	€ 256	€ 266			
FS5-E		€ 61	€ 77	€ 90	€ 103	€ 119	€ 132	€ 148	€ 162	€ 178	€ 191	€ 207	€ 220	€ 236	€ 249	€ 265	€ 278	€ 294	€ 307	€ 323	€ 336	€ 352	€ 366			

FS5-A	Additional Fabric Support Profile (Standard)
FS4-L1200 (R99) FS10-L1200 (ALM-08)	Additional Rail for L1200 Series - Al. - 75x120mm Additional Pillar for L1200 Series - Al. 65x120mm
FS8	Lighting System
FS9-L1200 (Y66)	Side Beam (Al. 65x120mm)
FS9 (Y65)	Side Beam (Al. 50x150mm)

FS8	
FS8-S	SPOT
FS8-L	LINEAR
FS8-LR	LINEAR (RGB)

LED TYPE & MODULE		
2 LED	3 LED	4 LED
€ 136	€ 165	€ 194
€ 194	€ 252	
€ 247	€ 320	

Notes:

1. If additional rail is required, it is also necessary to use a corresponding front pillar. Both parts are included in the price of option FS4-1200+FS10-1200(ALM-08).
2. Any Side Beam is not included in the price.
3. FS Flexy Plain/3D or Stam 6002 is included in the price.
4. Motor and Remote control is included in the price.
5. Palmiye Aluminium Coating Catalogue includes the standard colours with no extra cost. For any other type/brand/coulor of paint, price difference and additional delivery duration shall be checked from your customer representative.
6. Standard "Fabric support profile plastic colors" are specified in our Aluminium coating catalogue.

DEDUCTIONS

Price deduction is applicable only for pillars and beam. Deduction amount shall be consider as 70% of related option price.

OPTIONS

FS10-L1200 (ALM-08)	Extra pillar (65x120mm Al.) for L1200 series	€ 203	pcs
FS10	Extra pillar (100x100mm Al.)	€ 540	pcs
FS10-ST3	Extra pillar (100x100x3mm St.)	€ 671	pcs
FS10-ST5	Extra pillar (100x100x5mm St.)	€ 978	pcs
FS11	Deco ceiling cover	€ 75	m ²
FS15	Side beam pillar (50x100mm - Al)	€ 280	pcs
FS15-B	Side beam pillar (100x100mm - Al)	€ 540	pcs
FS15-L1200 (ALM-12)	Side beam pillar (65x120mm - Al) for L1200 series	€ 203	pcs
FS19	Fix louver	€ 74	lm
FS23	External Square Downpipe	€ 330	pcs
FS24	W96 Ceiling Cover	€ 86	m ²
FS26	Exclusive fabric difference (up to 800cm width)	€ 51	m ²
FS29-1	Sun Sensor (SUNIS) (for single motor)	€ 625	pcs
FS29-1S	Sun Sensor (SUNIS) (for synchronized motor)	€ 989	pcs
FS29-2	Wind Sensor (EOLIS RTS) (for single motor)	€ 292	pcs
FS29-2S	Wind Sensor (EOLIS RTS) (for synchronized motor)	€ 657	pcs
FS29-3	Sun and Wind Sensor (SOLIRIS RTS) (for single motor)	€ 331	pcs
FS29-3S	Sun and Wind Sensor (SOLIRIS RTS) (for synchronized motor)	€ 696	pcs
FS29-4	Rain Sensor (ONDEIS) (for single motor)	€ 574	pcs
FS29-4S	Rain Sensor (ONDEIS) (for synchronized motor)	€ 939	pcs
FS30	CONNEXOON	€ 525	pcs

Notes:

1. Fabric support profiles can be painted in the same color as the general construction. No fee is paid for this process. However, the plastic color should be specified from our standard plastic colours in Palmiye Color Chart.
2. For one product, a dry contact transmitter costing 334€, must be added.
3. Up to 5 products, a RS485 Automation interface dry contact transmitter costing 1018€, must be added.

EXTENSIONS

L1200 Rail - 75x120mm	€ 152	lm
Beam Profile (Al. 40x120mm)	€ 67	lm
Beam Profile (Al. 42x150mm)	€ 105	lm
Beam Profile (Al. 50x150mm)	€ 186	lm
Beam Profile (Al. 100x150mm)	€ 155	lm
Beam Profile (St. 100x150x3mm)	€ 320	lm
Beam Profile (St. 100x150x5mm)	€ 388	lm
Beam Profile (St. 100x200x3mm)	€ 325	lm
Beam Profile (St. 100x200x5mm)	€ 462	lm
Fabric protection cover (Al. - 63x__cm)	€ 60	m ²
L1200 Gutter	€ 64	lm

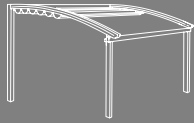
*Max. Al. Front pillar (Al. 65x120mm) height is 280cm

*Max. St 3mm. Front pillar (St. 100x100x3mm) height is 380cm

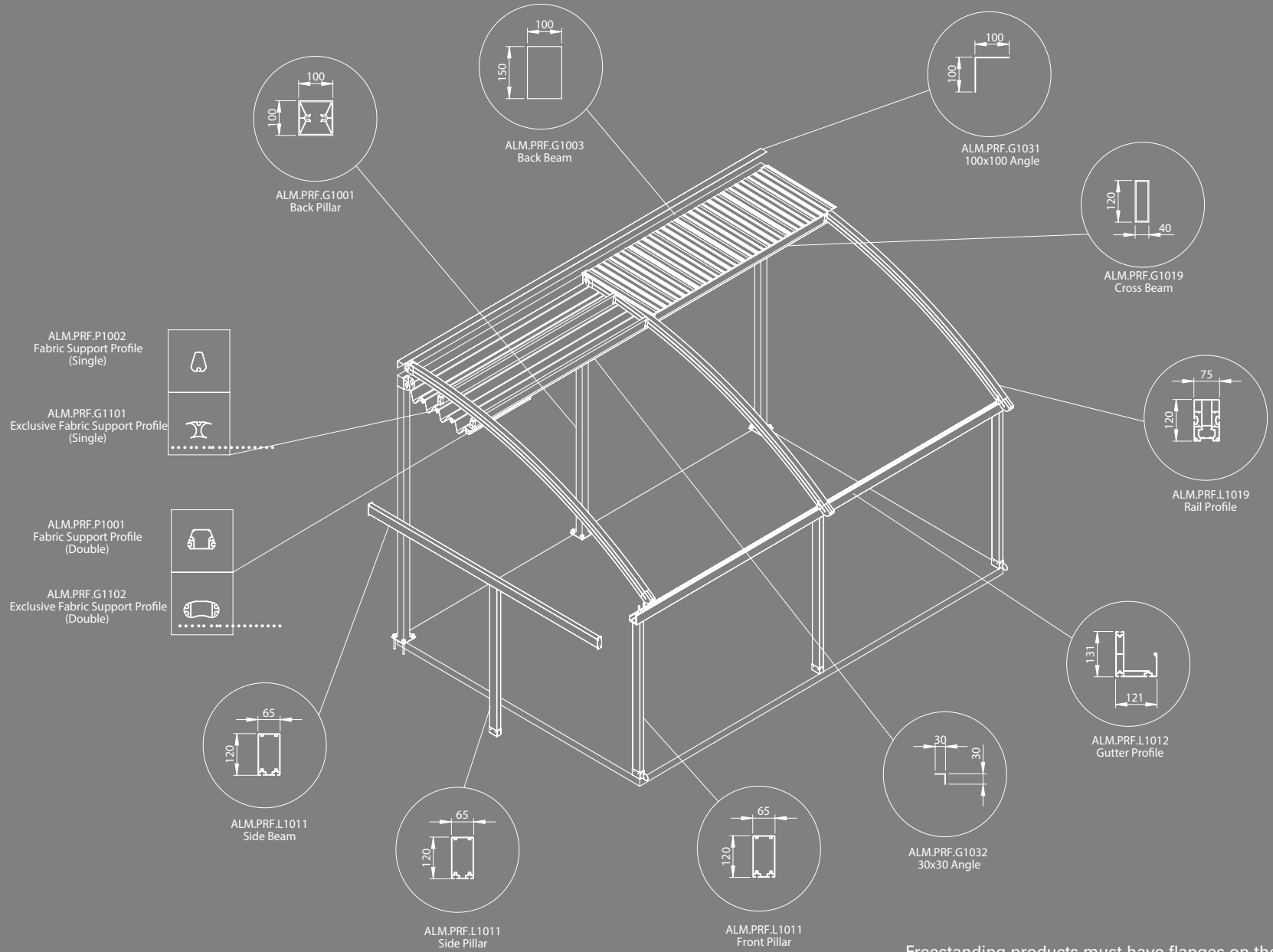
*Max. St. 5mm Front pillar (St. 100x100x5mm) height is 480cm

PRICE DIFFERENCE

		BEAM GROUP	
		Standard	Al. 40x120mm
Back Beam	to	Al. 42x150mm	€ 40 lm
		Al. 50x150mm	€ 122 lm
		Al. 80x130mm	€ 31 lm
		St. 50x150x3mm	€ 156 lm
		St. 50x150x5mm	€ 244 lm
		Al. 100x150mm	€ 89 lm
		St. 100x150x3mm	€ 262 lm
		St. 100x150x5mm	€ 336 lm
		St. 100x200x3mm	€ 266 lm
		St. 100x200x5mm	€ 410 lm
		PILLAR GROUP	
		Standard	Al. 65x120mm
Front Pillar	to	Al. 80x80mm	€ 197 pcs
		Al. 100x100mm	€ 342 pcs
		St. 100x100x3mm	€ 416 pcs
		St. 100x100x5mm	€ 729 pcs
		St. 150x150x3mm	€ 1.008 pcs
St. 150x150x5mm	€ 1.516 pcs		



STANDING SYSTEM WITH FRONT AND BACK PILLAR 1200 SERIES



Freestanding products must have flanges on the pillars.

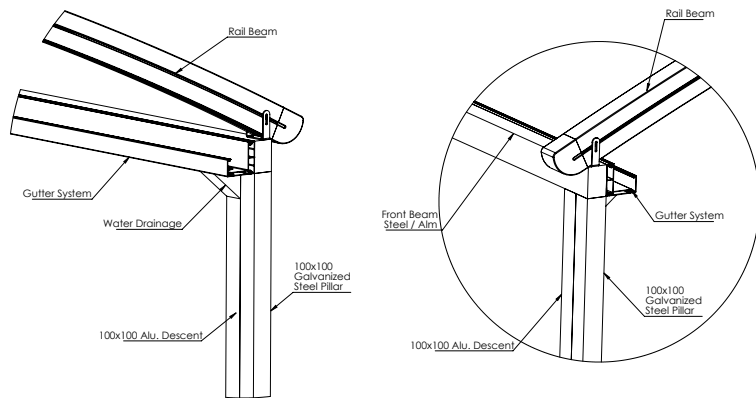
TECHNICAL DETAILS

WATER DRAIN&GUTTER CALCULATION

PRODUCT TYPE	MAX. M ²	USED PRODUCT TYPE
WATER DRAINAGE 45	34m ²	1200 Series Standard

*There should be at least one drainage, each 8 m length gutter.

APPLICATION FORM IN STEEL FRONT BEAM AND DEVICE

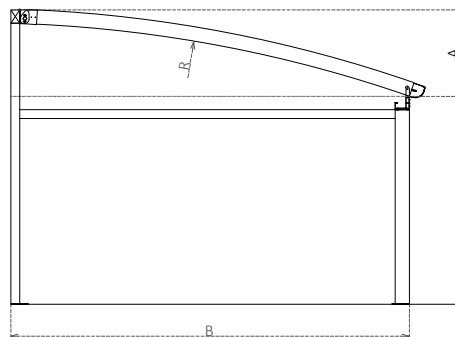


* In use of aluminum front pillar of 100*100 and front beam of 100*150 water drain, is applied from the available pillar. No external descent is applied.

RADIUS CHART

RADIUS	850	1500	2850
Projection	A		
250	63		
300	83		
350	107		
400	135	82	
450	168	98	
500		116	
550		137	
600		160	93

*The values are approx. ± 5 cm



*The values are approx. ± 5 cm

USE OF BACK PILLAR AND BACK BEAM (STANDARD)

		PRODUCT WIDTH																	
		450	500	550	600	650	700	750	800	850	900	950	1000	1050	1100	1150	1200	1250	1300
PROJECTION	400	A	A	A	A	A	A	A	A	A	A	A	A	A	A	A	A	A	A
	450	A	A	A	A	A	A	A	A	A	A	A	A	A	A	A	A	A	A
	500	A	A	A	A	A	A	A	A	A	A	A	A	A	A	A	A	A	A
	550	A	A	A	A	A	A	A	A	A	A	A	A	A	A	A	A	A	A
600	A	A	A	A	A	A	A	A	A	A	A	A	A	A	A	A	A	A	
GROUND FLANGE		A																	
BACK PILLAR		200*200*10 FLANGE ALU																	
BACK BEAM		100*100 ALU 100*150 ALU																	

* Utilization table of back beam and back pillar is included in the list price.

TERMS OF USE OF FRONT PILLAR AND BEAM

		OUT TO OUT PILLAR SIZE				
		450	550	600	650	700
PROJECTION	400	A	A	B	B	C
	500	A	A	B	B	C
	600	A	A	B	C	C
F. PILLAR	A	100*100 ALU	B	100*100*3 G.S	C	100*100*5 G.S
F. BEAM		100*150 ALU		100*150*3 G.S		100*200*5 G.S

- * Use of front pillar and beam should be additionally priced.
- * Ground mounting of the pillar is performed with flange of 200*200*10 mm or ground anchor.
- * Application is made behind the gutter system
- * Maximum height is 4m for aluminum front pillars and 5m for steel front pillars.
- * If front pillar and beam is made of steel, water drain is given from empty aluminum box profile of 100*100

TERMS OF USE OF BACK PILLAR AND BACK BEAM

		OUT TO OUT PILLAR SIZE							
		450	500	550	600	700	750	800	900
PROJECTION	400	A	A	A	B	B	C	C	C
	500	A	A	B	B	B	C	C	C
	600	A	B	B	B	B	C	C	C
BACK PILLAR	A	100*100 ALU	B	100*100*3 G.S	C	100*100*5 G.S			
BACK BEAM		100*150 ALU		100*150*3 G.S		100*200*5 G.S			

- * Use of back pillar and beam should be additionally priced.
- * Floor mounting of the pillar is performed with flange of 200*200*10 mm or ground anchor.
- * Maximum height is 4m for aluminum back pillars and 5m for steel back pillars.



STANDING SYSTEM WITH FRONT AND BACK PILLAR 1200 SERIES

		WIDTH																				FS4-L1200 (R99) FS10-L1200 (ALM-08)	FS9-PD		
		2 RAIL				3 RAIL								4 RAIL										5 RAIL	
		250 cm	300 cm	350 cm	400 cm	450 cm	500 cm	550 cm	600 cm	650 cm	700 cm	750 cm	800 cm	850 cm	900 cm	950 cm	1000 cm	1050 cm	1100 cm	1150 cm	1200 cm			1250 cm	1300 cm
PROJECTION	200 cm	€ 6.571	€ 6.877	€ 7.304	€ 7.742	€ 9.029	€ 9.347	€ 9.658	€ 9.967	€ 10.499	€ 10.769	€ 11.166	€ 11.473	€ 13.096	€ 13.405	€ 13.716	€ 14.022	€ 14.329	€ 14.637	€ 14.944	€ 15.198	€ 15.911	€ 16.354	€ 1.146	€ 38
	250 cm	€ 6.818	€ 7.270	€ 7.688	€ 8.017	€ 9.391	€ 9.717	€ 10.171	€ 10.489	€ 10.896	€ 11.175	€ 11.581	€ 12.031	€ 13.884	€ 14.065	€ 14.249	€ 14.563	€ 15.014	€ 15.328	€ 15.645	€ 15.904	€ 16.629	€ 17.078	€ 1.245	€ 46
	300 cm	€ 7.250	€ 7.753	€ 8.217	€ 8.596	€ 10.088	€ 10.462	€ 10.962	€ 11.327	€ 11.781	€ 12.101	€ 12.555	€ 13.050	€ 15.030	€ 15.260	€ 15.491	€ 15.852	€ 16.351	€ 16.712	€ 17.074	€ 17.373	€ 18.143	€ 18.638	€ 1.343	€ 54
	350 cm	€ 7.644	€ 8.015	€ 8.491	€ 9.014	€ 10.592	€ 10.977	€ 11.354	€ 11.860	€ 12.326	€ 12.649	€ 13.112	€ 13.620	€ 15.839	€ 16.072	€ 16.304	€ 16.676	€ 17.049	€ 17.418	€ 17.923	€ 18.229	€ 19.008	€ 19.378	€ 1.440	€ 62
	400 cm	€ 7.899	€ 8.282	€ 8.766	€ 9.299	€ 10.968	€ 11.361	€ 11.747	€ 12.262	€ 12.735	€ 13.069	€ 13.541	€ 14.054	€ 16.360	€ 16.606	€ 16.855	€ 17.235	€ 17.618	€ 17.997	€ 18.509	€ 18.822	€ 19.610	€ 19.989	€ 1.539	€ 69
	450 cm	€ 8.162	€ 8.555	€ 9.047	€ 9.590	€ 11.352	€ 11.754	€ 12.149	€ 12.674	€ 13.155	€ 13.497	€ 13.977	€ 14.501	€ 16.908	€ 17.162	€ 17.418	€ 17.807	€ 18.197	€ 18.586	€ 19.108	€ 19.424	€ 20.223	€ 20.611	€ 1.636	€ 77
	500 cm	€ 8.421	€ 8.823	€ 9.325	€ 9.878	€ 11.731	€ 12.144	€ 12.544	€ 13.078	€ 13.572	€ 13.918	€ 14.408	€ 14.941	€ 17.450	€ 17.711	€ 17.973	€ 18.372	€ 18.770	€ 19.165	€ 19.698	€ 20.023	€ 20.829	€ 21.226	€ 1.736	€ 85
550 cm	€ 8.864	€ 9.452	€ 10.001	€ 10.603	€ 12.574	€ 13.034	€ 13.616	€ 14.063	€ 14.737	€ 15.126	€ 15.661	€ 16.242	€ 18.590	€ 19.033	€ 19.476	€ 19.941	€ 20.522	€ 20.965	€ 21.542	€ 21.905	€ 22.756	€ 23.333	€ 1.833	€ 93	
600 cm	€ 9.132	€ 9.729	€ 10.290	€ 10.900	€ 12.962	€ 13.430	€ 14.024	€ 14.481	€ 15.160	€ 15.559	€ 16.102	€ 16.692	€ 19.158	€ 19.610	€ 20.064	€ 20.516	€ 21.104	€ 21.558	€ 22.145	€ 22.514	€ 23.374	€ 23.960	€ 1.930	€ 101	

FS5-A	€ 44	€ 56	€ 65	€ 75	€ 87	€ 96	€ 108	€ 117	€ 129	€ 139	€ 150	€ 160	€ 171	€ 181	€ 192	€ 202	€ 214	€ 223	€ 235	€ 244	€ 256	€ 266
FS5-E	€ 61	€ 77	€ 90	€ 103	€ 119	€ 132	€ 148	€ 162	€ 178	€ 191	€ 207	€ 220	€ 236	€ 249	€ 265	€ 278	€ 294	€ 307	€ 323	€ 336	€ 352	€ 366

FS5-A	Additional Fabric Support Profile (Standard)
FS4-L1200 (R99) FS10-L1200 (ALM-08)	Additional Rail for L1200 Series - Al. - 75x120mm Additional Pillar for L1200 Series - Al. 65x120mm
FS8	Lighting System
FS9-PD	From FS9-L1200 (Y66) to FS9

LED TYPE & MODULE				
FS8		2 LED	3 LED	4 LED
FS8-S	SPOT	€ 136	€ 165	€ 194
FS8-L	LINEAR	€ 194	€ 252	
FS8-LR	LINEAR (RGB)	€ 247	€ 320	

Notes:

1. If additional rail is required, it is also necessary to use a corresponding front pillar. Both parts are included in the price of option FS4-1200+FS10-1200(ALM-08).
2. FS9-L1200 (Y66) (Al. 65x120mm) Side Beam is included in the price for right and left side as a standard. For other option which is FS9 (Al. 50x150mm) is extra cost. Please define on your technical drawing.
3. FS Flexy Plain/3D or Stam 6002 is included in the price.
4. Motor and Remote control is included in the price.
5. Palmiye Aluminium Coating Catalogue includes the standard colours with no extra cost. For any other type/brand/couolor of paint, price difference and additional delivery duration shall be checked from your customer representative.
6. Standard "Fabric support profile plastic colors" are specified in our Aluminium coating catalogue.

Price deduction is applicable only for pillars and beam. Deduction amount shall be consider as 70% of related option price.

OPTIONS

FS10-L1200 (ALM-08)	Extra pillar (65x120mm Al.) for L1200 series	€ 203	pcs
FS10	Extra pillar (100x100mm Al.)	€ 540	pcs
FS10-ST3	Extra pillar (100x100x3mm St.)	€ 671	pcs
FS10-ST5	Extra pillar (100x100x5mm St.)	€ 978	pcs
FS11	Deco ceiling cover	€ 75	m ²
FS15	Side beam pillar (50x100mm - Al)	€ 280	pcs
FS15-B	Side beam pillar (100x100mm - Al)	€ 540	pcs
FS15-L1200 (ALM-12)	Side beam pillar (65x120mm - Al) for L1200 series	€ 203	pcs
FS19	Fix louver	€ 74	lm
FS23	External Square Downpipe	€ 330	pcs
FS24	W96 Ceiling Cover	€ 86	m ²
FS26	Exclusive fabric difference (up to 800cm width)	€ 51	m ²
FS29-1	Sun Sensor (SUNIS) (for single motor)	€ 625	pcs
FS29-1S	Sun Sensor (SUNIS) (for synchronized motor)	€ 989	pcs
FS29-2	Wind Sensor (EOLIS RTS) (for single motor)	€ 292	pcs
FS29-2S	Wind Sensor (EOLIS RTS) (for synchronized motor)	€ 657	pcs
FS29-3	Sun and Wind Sensor (SOLIRIS RTS) (for single motor)	€ 331	pcs
FS29-3S	Sun and Wind Sensor (SOLIRIS RTS) (for synchronized motor)	€ 696	pcs
FS29-4	Rain Sensor (ONDEIS) (for single motor)	€ 574	pcs
FS29-4S	Rain Sensor (ONDEIS) (for synchronized motor)	€ 939	pcs
FS30	CONNEXOON	€ 525	pcs

Notes:

1. Fabric support profiles can be painted in the same color as the general construction. No fee is paid for this process. However, the plastic color should be specified from our standard plastic colours in Palmiye Color Chart.
2. For one product, a dry contact transmitter costing 370€, must be added.
3. Up to 5 products, a RS485 Automation interface dry contact transmitter costing 1126€, must be added.
4. In pergolas including steel front pillars, if gutter option is preferred, external water drainage points will be specified according to the Project and will be priced additionally.

EXTENSIONS

L1200 Rail - 75x120mm	€ 152	lm
Beam Profile (Al. 100x150mm)	€ 155	lm
Beam Profile (St. 100x150x3mm)	€ 320	lm
Beam Profile (St. 100x150x5mm)	€ 388	lm
Beam Profile (St. 100x200x3mm)	€ 325	lm
Beam Profile (St. 100x200x5mm)	€ 462	lm
Fabric protection cover (Al. - 63x__cm)	€ 60	m ²
L1200 Gutter	€ 64	lm

*Max. Al. Front pillar (Al. 65x120mm) height is 280cm

*Max. St 3mm. Front pillar (St. 100x100x3mm) height is 380cm

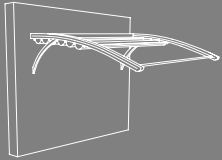
*Max. St. 5mm Front pillar (St. 100x100x5mm) height is 480cm

PRICE DIFFERENCE

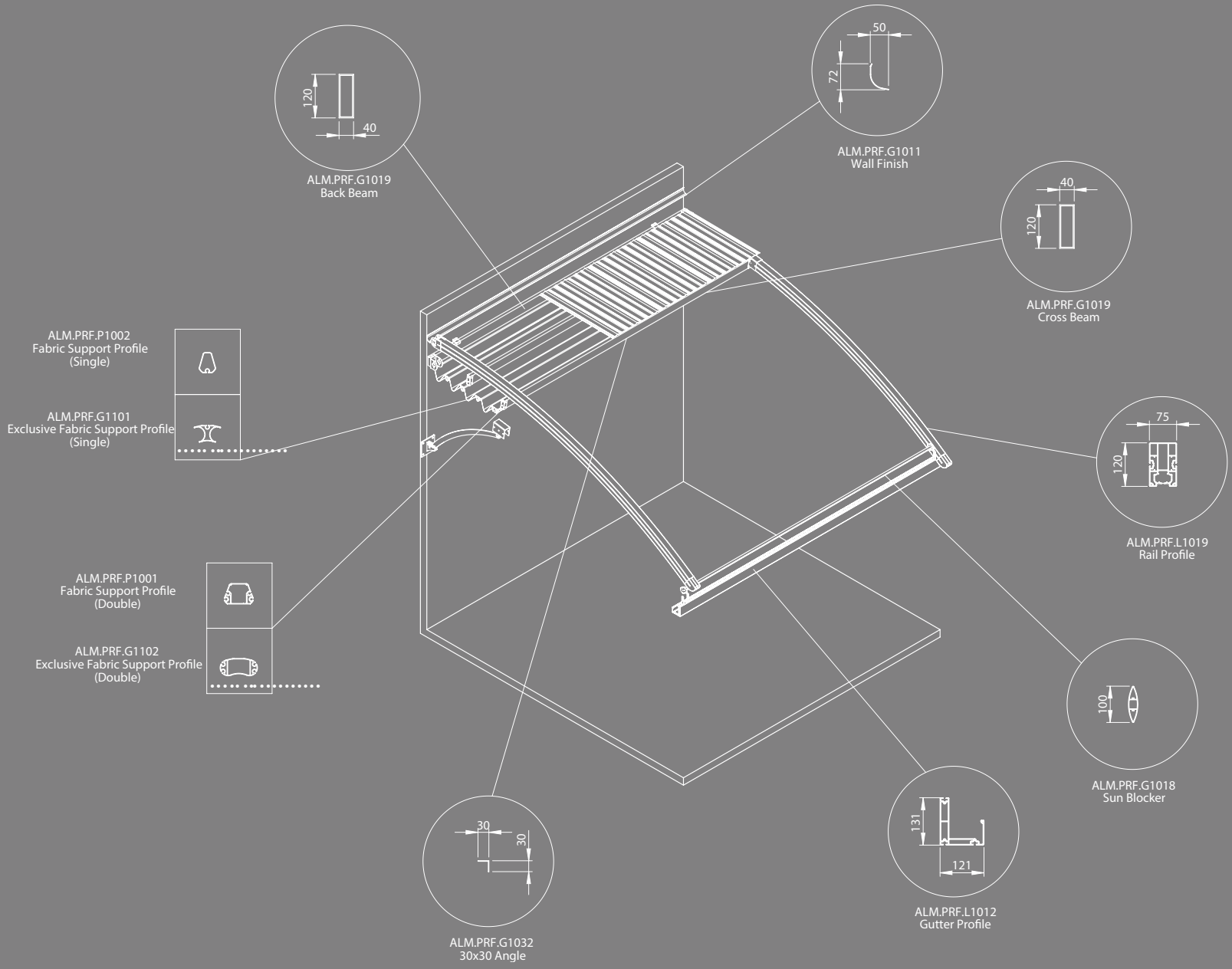
		BEAM GROUP	
		Standard	Al. 100x150mm
Back Beam	to	St. 100x150x3mm	€ 160 pcs
		St. 100x150x5mm	€ 238 pcs
		St. 100x200x3mm	€ 165 pcs
		St. 100x200x5mm	€ 311 pcs

		PILLAR GROUP	
		Standard	Al. 65x120mm
Front Pillar	to	Al. 80x80mm	€ 197 pcs
		Al. 100x100mm	€ 342 pcs
		St. 100x100x3mm	€ 416 pcs
		St. 100x100x5mm	€ 729 pcs
		St. 150x150x3mm	€ 1.008 pcs
		St. 150x150x5mm	€ 1.516 pcs

		PILLAR GROUP	
		Standard	Al. 100x100mm
Back Pillar	to	St. 100x100x3mm	€ 117 pcs
		St. 100x100x5mm	€ 479 pcs
		St. 150x150x3mm	€ 731 pcs
		St. 150x150x5mm	€ 1.294 pcs



BRACKET SYSTEM 1200 SERIES



WATER DRAIN&GUTTER CALCULATION

PRODUCT TYPE	MAX. M ²	USED PRODUCT TYPE
WATER DRAINAGE 45	34m ²	1200 Series Standard

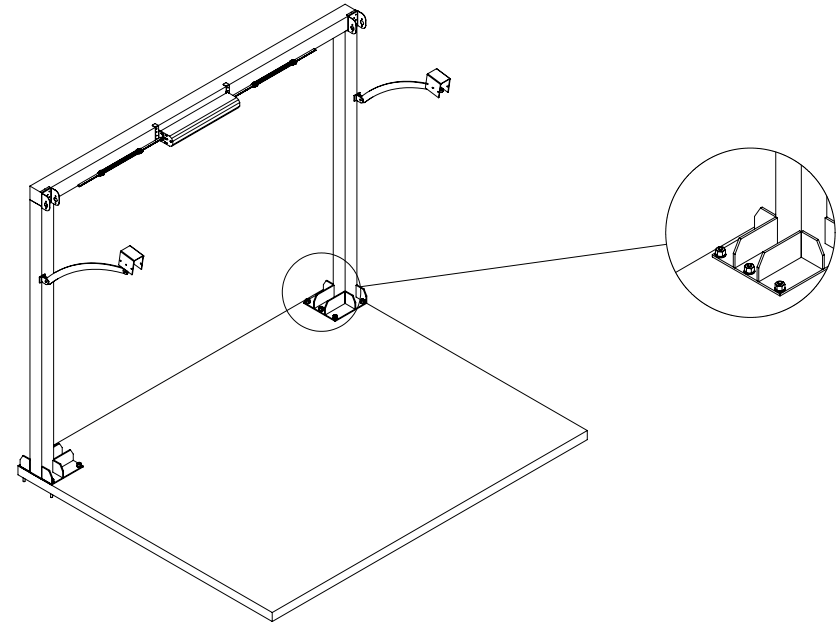
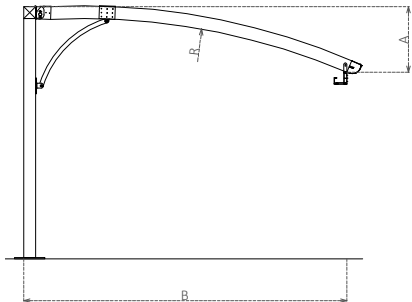
*There should be at least one drainage, each 8 m length gutter.

RADIUS CHART

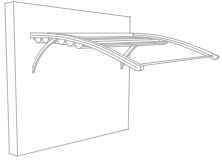
RADIUS	850	1500	2850
Projection	63	83	107
	135	82	

Projection	A			B
250	63			
300	83			
350	107			
400	135	82		

*The values are approx. ± 5 cm



- * Distance between two pillars depends on the system width.
- * For the systems with 2 units next to each other, one of the pillars in the middle will be removed.
- * Strut support apparatus is used under each rail.
- * Pillar and beam are used as 150*150*3mm in standard.



BRACKET SYSTEM 1200 SERIES

		WIDTH			
		2 RAIL			
		250 cm	300 cm	350 cm	400 cm
PROJECTION	200 cm	€ 5.671	€ 5.949	€ 6.344	€ 6.750
	250 cm	€ 5.907	€ 6.326	€ 6.713	€ 7.013
	300 cm	€ 6.323	€ 6.791	€ 7.224	€ 7.572
	350 cm	€ 6.700	€ 7.043	€ 7.485	€ 7.974
	400 cm	€ 6.945	€ 7.295	€ 7.747	€ 8.246

G23	€ 136	€ 141	€ 156	€ 169
FS5-A	€ 44	€ 56	€ 65	€ 75
FS5-E	€ 61	€ 77	€ 90	€ 103

G23	L1200 Gutter System
FS5-A	Additional Fabric Support Profile (Standard)
FS8	Lighting System

FS8	
FS8-S	SPOT
FS8-L	LINEAR
FS8-LR	LINEAR (RGB)

LED TYPE & MODULE		
2 LED	3 LED	4 LED
€ 136	€ 165	€ 194
€ 194	€ 252	
€ 247	€ 320	

Notes:

1. Modules can not be combined.
2. Side beam is not applicable.
3. FS Flexy Plain/3D or Stam 6002 is included in the price.
4. Motor and Remote control is included in the price.
5. Palmiye Aluminium Coating Catalogue includes the standard colours with no extra cost. For any other type/brand/color of paint, price difference and additional delivery duration shall be checked from your customer representative.
6. Standard "Fabric support profile plastic colors" are specified in our Aluminium coating catalogue.

OPTIONS

FS10	Extra pillar (100x100mm Al.)	€ 540	pcs
FS10-ST3	Extra pillar (100x100x3mm St.)	€ 671	pcs
FS10-ST5	Extra pillar (100x100x5mm St.)	€ 978	pcs
FS11	Deco ceiling cover	€ 75	m ²
FS15	Side beam pillar (50x100mm - Al)	€ 280	pcs
FS15-B	Side beam pillar (100x100mm - Al)	€ 540	pcs
FS15-L1200 (ALM-12)	Side beam pillar (65x120mm - Al) for L1200 series	€ 203	pcs
FS19	Fix louver	€ 74	lm
FS23	External Square Downpipe	€ 330	pcs
FS24	W96 Ceiling Cover	€ 86	m ²
FS26	Exclusive fabric difference (up to 800cm width)	€ 51	m ²
FS28-1	Stainless steel chain - 100 cm	€ 78	1m
FS28-2	Stainless steel chain - 200 cm	€ 153	2m
FS28-3	Stainless steel chain - 300 cm	€ 230	3m
FS28-4	Stainless steel chain - 400 cm	€ 306	4m
FS29-1	Sun Sensor (SUNIS) (for single motor)	€ 625	pcs
FS29-2	Wind Sensor (EOLIS RTS) (for single motor)	€ 292	pcs
FS29-3	Sun and Wind Sensor (SOLIRIS RTS) (for single motor)	€ 331	pcs
FS29-4	Rain Sensor (ONDEIS) (for single motor)	€ 574	pcs
FS30	CONNEXOON	€ 525	pcs
FS10-150ST3	Extra pillar (150x150x3mm St.)	€ 1.252	pcs
FS10-150ST5	Extra pillar (150x150x5mm St.)	€ 1.751	pcs

EXTENSIONS

Beam Profile (Al. 40x120mm)	€ 67	lm
Beam Profile (Al. 42x150mm)	€ 105	lm
Beam Profile (Al. 50x150mm)	€ 186	lm
Beam Profile (Al. 100x150mm)	€ 155	lm
Beam Profile (St. 100x150x3mm)	€ 320	lm
Beam Profile (St. 100x150x5mm)	€ 388	lm
Beam Profile (St. 100x200x3mm)	€ 325	lm
Beam Profile (St. 100x200x5mm)	€ 462	lm
Fabric protection cover (Al. - 63x__cm)	€ 60	m ²
L1200 Gutter	€ 64	lm

PRICE DIFFERENCE

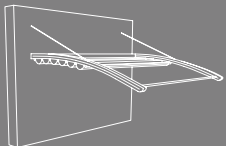
BEAM GROUP			
Standard	Al. 40x120mm		
	Al. 42x150mm	€ 40	lm
	Al. 50x150mm	€ 122	lm
	Al. 80x130mm	€ 31	lm
	St. 50x150x3mm	€ 156	lm
	St. 50x150x5mm	€ 244	lm
	Al. 100x150mm	€ 89	lm
	St. 100x150x3mm	€ 262	lm
	St. 100x150x5mm	€ 336	lm
	St. 100x200x3mm	€ 266	lm
	St. 100x200x5mm	€ 410	lm

Back Beam

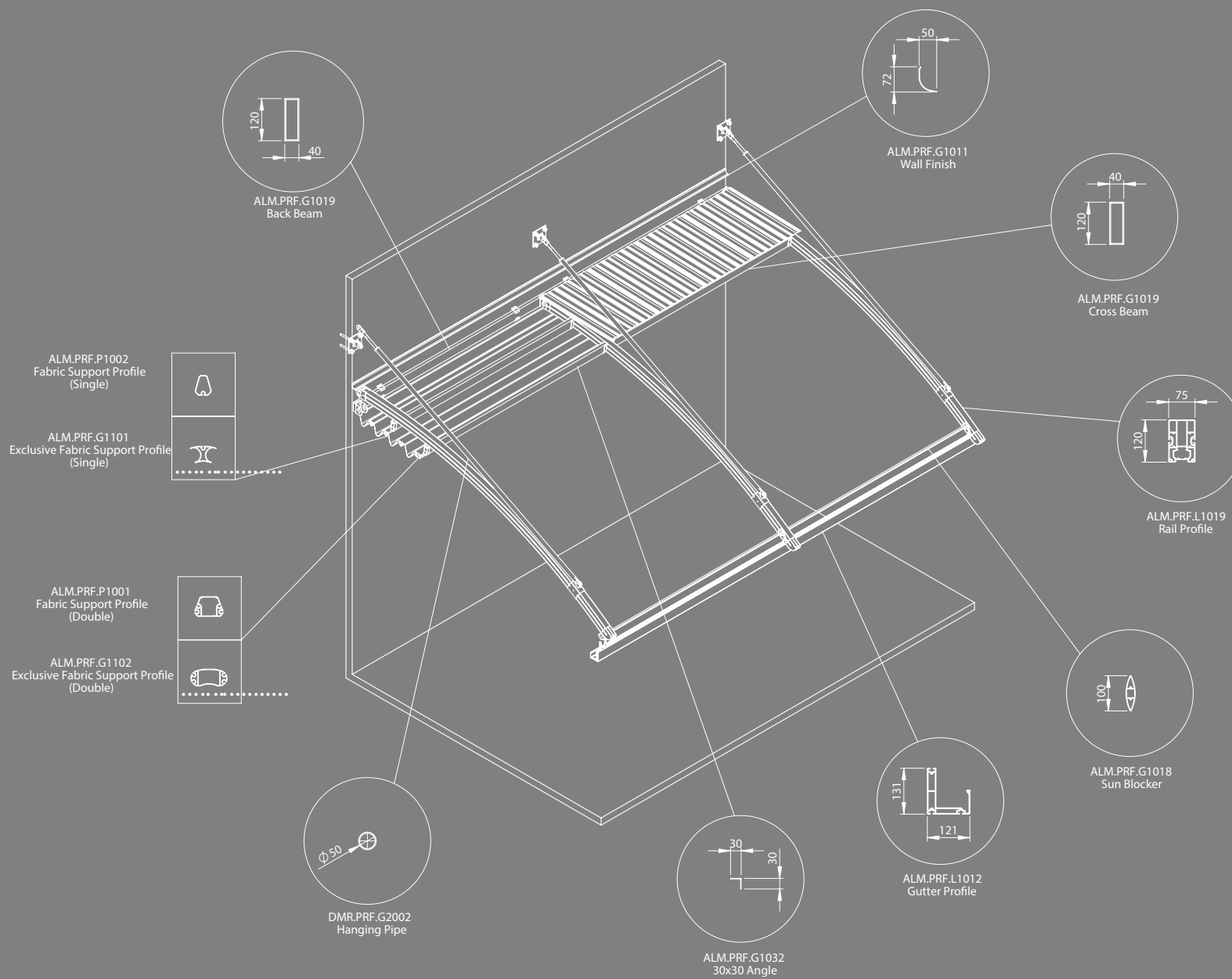
to

Notes:

1. Fabric support profiles can be painted in the same color as the general construction. No fee is paid for this process. However, the plastic color should be specified from our standard plastic colours in Palmiye Color Chart.
2. For one product, a dry contact transmitter costing 370€, must be added.
3. Up to 5 products, a RS485 Automation interface dry contact transmitter costing 1126€, must be added.
4. The prices in the main table are for wall mounted products. This model also can be made as freestanding. For freestanding applications "FS10-150ST3" or "FS10-150ST5" pillar options and "St. 150x150x3mm" or "St. 150x150x5mm" back beam options should be added to the main prices.



HANGING SYSTEM 1200 SERIES



WATER DRAIN&GUTTER CALCULATION

PRODUCT TYPE	MAX. M²	USED PRODUCT TYPE
WATER DRAINAGE 45	34m²	1200 Series Standard

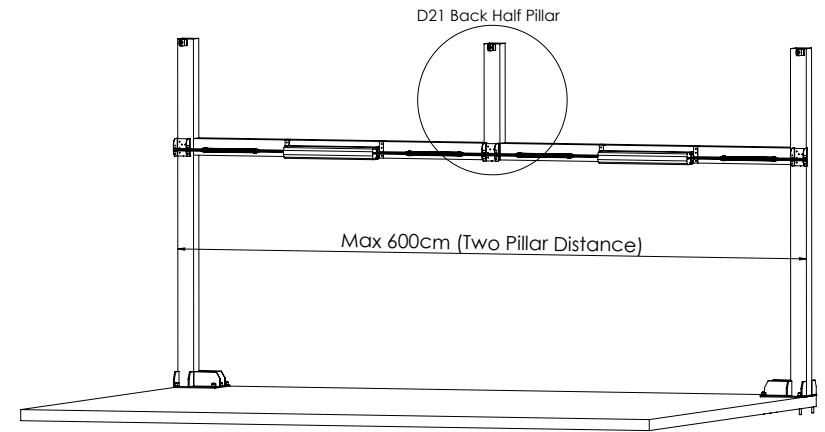
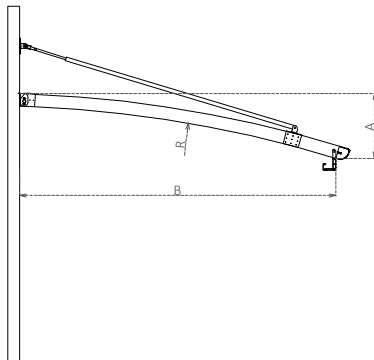
*There should be at least one drainage, each 8 m length gutter.

RADIUS CHART

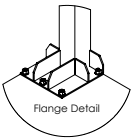
RADIUS	850	1500	2850
--------	-----	------	------

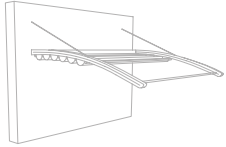
Projection	A			B
250	63			
300	83			
350	107			
400	135	82		
450	168	98		
500		116		
550		137		
600		160	93	

*The values are approx. ± 5 cm



- This model includes 3m steel back beam and pillars.
- The front beam can not be produced in steel.
- Ground flanges are 380x380x15 mm.
- When pillar reduction is applied, Extra half pillar (150x150x5mm St.) must be installed at the back of each rail shaft, and all steel pillars should be 150x150x5 mm.
- In condition of adding an additional rail, a steel 150x150x3m back pillar should also be added.





HANGING SYSTEM 1200 SERIES

		WIDTH																				FS4-L1200 (R99)		
		2 RAIL				3 RAIL								4 RAIL						5 RAIL				
		250 cm	300 cm	350 cm	400 cm	450 cm	500 cm	550 cm	600 cm	650 cm	700 cm	750 cm	800 cm	850 cm	900 cm	950 cm	1000 cm	1050 cm	1100 cm	1150 cm	1200 cm		1250 cm	1300 cm
PROJECTION	200 cm	€ 6.264	€ 6.570	€ 7.008	€ 7.455	€ 8.471	€ 8.793	€ 9.102	€ 9.412	€ 9.965	€ 10.232	€ 10.635	€ 10.941	€ 12.322	€ 12.631	€ 12.943	€ 13.250	€ 13.559	€ 13.865	€ 14.174	€ 14.420	€ 14.818	€ 15.269	€ 943
	250 cm	€ 6.521	€ 6.988	€ 7.414	€ 7.744	€ 8.855	€ 9.186	€ 9.650	€ 9.969	€ 10.387	€ 10.662	€ 11.076	€ 11.537	€ 13.168	€ 13.338	€ 13.514	€ 13.828	€ 14.293	€ 14.607	€ 14.924	€ 15.178	€ 15.588	€ 16.047	€ 1.042
	300 cm	€ 6.982	€ 7.502	€ 7.980	€ 8.363	€ 9.600	€ 9.984	€ 10.500	€ 10.869	€ 11.338	€ 11.658	€ 12.125	€ 12.635	€ 14.402	€ 14.623	€ 14.852	€ 15.219	€ 15.734	€ 16.098	€ 16.467	€ 16.764	€ 17.223	€ 17.730	€ 1.140
	350 cm	€ 7.398	€ 7.777	€ 8.266	€ 8.809	€ 10.137	€ 10.533	€ 10.916	€ 11.437	€ 11.918	€ 12.244	€ 12.721	€ 13.244	€ 15.269	€ 15.494	€ 15.727	€ 16.102	€ 16.482	€ 16.857	€ 17.379	€ 17.684	€ 18.150	€ 18.525	€ 1.237
	400 cm	€ 7.668	€ 8.057	€ 8.555	€ 9.107	€ 10.533	€ 10.941	€ 11.332	€ 11.865	€ 12.353	€ 12.689	€ 13.176	€ 13.707	€ 15.822	€ 16.064	€ 16.314	€ 16.701	€ 17.092	€ 17.475	€ 18.006	€ 18.318	€ 18.795	€ 19.180	€ 1.336
	450 cm	€ 7.945	€ 8.344	€ 8.853	€ 9.416	€ 10.939	€ 11.359	€ 11.760	€ 12.303	€ 12.801	€ 13.146	€ 13.641	€ 14.182	€ 16.406	€ 16.656	€ 16.916	€ 17.312	€ 17.709	€ 18.105	€ 18.646	€ 18.963	€ 19.451	€ 19.846	€ 1.433
	500 cm	€ 8.217	€ 8.625	€ 9.145	€ 9.717	€ 11.340	€ 11.771	€ 12.180	€ 12.732	€ 13.244	€ 13.594	€ 14.100	€ 14.650	€ 16.984	€ 17.242	€ 17.510	€ 17.916	€ 18.322	€ 18.727	€ 19.277	€ 19.603	€ 20.102	€ 20.504	€ 1.533
550 cm	€ 8.488	€ 8.908	€ 9.437	€ 10.021	€ 11.670	€ 12.186	€ 12.603	€ 13.166	€ 13.689	€ 14.045	€ 14.561	€ 15.121	€ 17.156	€ 17.406	€ 18.107	€ 18.523	€ 18.941	€ 19.353	€ 19.914	€ 20.250	€ 20.758	€ 21.172	€ 1.630	
600 cm	€ 8.760	€ 9.191	€ 9.730	€ 10.324	€ 12.068	€ 12.600	€ 13.023	€ 13.596	€ 14.131	€ 14.494	€ 15.019	€ 15.590	€ 17.748	€ 18.006	€ 18.701	€ 19.127	€ 19.555	€ 19.973	€ 20.545	€ 20.891	€ 21.406	€ 21.832	€ 1.727	

G23	€ 136	€ 141	€ 156	€ 169	€ 184	€ 216	€ 213	€ 228	€ 241	€ 253	€ 327	€ 342	€ 354	€ 369	€ 386	€ 399	€ 411	€ 429	€ 441	€ 454	€ 470	€ 485
FS5-A	€ 44	€ 56	€ 65	€ 75	€ 87	€ 96	€ 108	€ 117	€ 129	€ 139	€ 150	€ 160	€ 171	€ 181	€ 192	€ 202	€ 214	€ 223	€ 235	€ 244	€ 256	€ 266
FS5-E	€ 61	€ 77	€ 90	€ 103	€ 119	€ 132	€ 148	€ 162	€ 178	€ 191	€ 207	€ 220	€ 236	€ 249	€ 265	€ 278	€ 294	€ 307	€ 323	€ 336	€ 352	€ 366

G23	L1200 Gutter System
FS5-A	Additional Fabric Support Profile (Standard)
FS8	Lighting System
FS4-L1200 (R99)	Additional Rail- Al.- 75x120mm

FS8	
FS8-S	SPOT
FS8-L	LINEAR
FS8-LR	LINEAR (RGB)

LED TYPE & MODULE		
2 LED	3 LED	4 LED
€ 136	€ 165	€ 194
€ 194	€ 252	
€ 247	€ 320	

Notes:

1. FS Flexy Plain/3D or Stam 6002 is included in the price.
2. Motor and Remote control is included in the price.
3. Palmiye Aluminium Coating Catalogue includes the standard colours with no extra cost. For any other type/brand/color of paint, price difference and additional delivery duration shall be checked from your customer representative.
4. Standard "Fabric support profile plastic colors" are specified in our Aluminium coating catalogue.

OPTIONS			
FS10	Extra pillar (100x100mm Al.)	€ 540	pcs
FS10-ST3	Extra pillar (100x100x3mm St.)	€ 671	pcs
FS10-ST5	Extra pillar (100x100x5mm St.)	€ 978	pcs
FS11	Deco ceiling cover	€ 75	m ²
FS15	Side beam pillar (50x100mm - Al)	€ 280	pcs
FS15-B	Side beam pillar (100x100mm - Al)	€ 540	pcs
FS15-L1200 (ALM-12)	Side beam pillar (65x120mm - Al) for L1200 series	€ 203	pcs
FS19	Fix louver	€ 74	lm
FS23	External Square Downpipe	€ 330	pcs
FS24	W96 Ceiling Cover	€ 86	m ²
FS26	Exclusive fabric difference (up to 800cm width)	€ 51	m ²
FS28-1	Stainless steel chain - 100 cm	€ 78	pcs
FS28-2	Stainless steel chain - 200 cm	€ 153	pcs
FS28-3	Stainless steel chain - 300 cm	€ 230	pcs
FS28-4	Stainless steel chain - 400 cm	€ 306	pcs
FS29-1	Sun Sensor (SUNIS) (for single motor)	€ 625	pcs
FS29-1S	Sun Sensor (SUNIS) (for synchronized motor)	€ 989	pcs
FS29-2	Wind Sensor (EOLIS RTS) (for single motor)	€ 292	pcs
FS29-2S	Wind Sensor (EOLIS RTS) (for synchronized motor)	€ 657	pcs
FS29-3	Sun and Wind Sensor (SOLIRIS RTS) (for single motor)	€ 331	pcs
FS29-3S	Sun and Wind Sensor (SOLIRIS RTS) (for synchronized motor)	€ 696	pcs
FS29-4 ^{2/3}	Rain Sensor (ONDEIS) (for single motor)	€ 574	pcs
FS29-4S ^{2/3}	Rain Sensor (ONDEIS) (for synchronized motor)	€ 939	pcs
FS30	CONNEXOON	€ 525	pcs
FS10-150ST5-H	Extra half pillar (150x150x5mm St.)	€ 210	pcs
FS10-150ST3	Extra pillar (150x150x3mm St.)	€ 1.252	pcs
FS10-150ST5	Extra pillar (150x150x5mm St.)	€ 1.751	pcs

EXTENSIONS		
Beam Profile (Al. 40x120mm)	€ 67	lm
Beam Profile (Al. 42x150mm)	€ 105	lm
Beam Profile (Al. 50x150mm)	€ 186	lm
Beam Profile (Al. 100x150mm)	€ 155	lm
Beam Profile (St. 100x150x3mm)	€ 320	lm
Beam Profile (St. 100x150x5mm)	€ 388	lm
Beam Profile (St. 100x200x3mm)	€ 325	lm
Beam Profile (St. 100x200x5mm)	€ 462	lm
Fabric protection cover (Al. - 63x__cm)	€ 60	m ²
L1200 Gutter	€ 64	lm

PRICE DIFFERENCE					
Back Beam	to	BEAM GROUP			
		Standard	Al. 40x120mm		
			Al. 42x150mm	€ 40	lm
			Al. 50x150mm	€ 122	lm
			Al. 80x130mm	€ 31	lm
			St. 50x150x3mm	€ 156	lm
			St. 50x150x5mm	€ 244	lm
			Al. 100x150mm	€ 89	lm
			St. 100x150x3mm	€ 262	lm
			St. 100x150x5mm	€ 336	lm
	St. 100x200x3mm	€ 266	lm		
	St. 100x200x5mm	€ 410	lm		

Notes:

1. Fabric support profiles can be painted in the same color as the general construction. No fee is paid for this process. However, the plastic color should be specified from our standard plastic colours in Palmiye Color Chart.

2. For one product, a dry contact transmitter costing 370€, must be added.

3. Up to 5 products, a RS485 Automation interface dry contact transmitter costing 1126€, must be added.

4. The prices in the main table are for wall mounted products. This model also can be made as freestanding. For freestanding applications "FS10-150ST3" or "FS10-150ST5" pillar options and "St. 150x150x3mm" or "St. 150x150x5mm" back beam options should be added to the main prices.

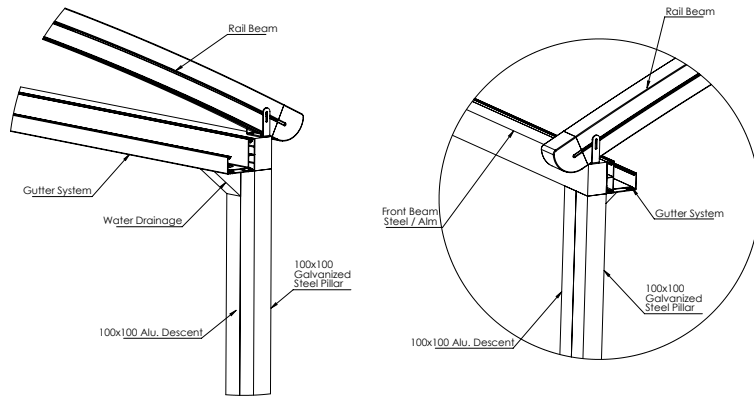
TECHNICAL DETAILS

WATER DRAIN&GUTTER CALCULATION

PRODUCT TYPE	MAX. M ²	USED PRODUCT TYPE
WATER DRAINAGE 45	34m ²	1200 Series Standard

*There should be at least one drainage, each 8 m length gutter.

APPLICATION FORM IN STEEL FRONT BEAM AND DEVICE



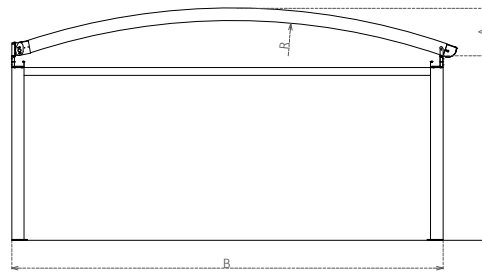
* In use of aluminum front pillar of 100*100 and front beam of 100*150 water drain, is applied from the available pillar. No external descent is applied.

RADIUS CHART

RADIUS	650	850
--------	-----	-----

Projection	A		B
250	27		
300	33		
350	39		
400	47		
450	56	45	
500	66	53	
550	77	61	
600		70	

*The values are approx. ± 5 cm



TERMS OF USE OF FRONT PILLAR AND FRONT BEAM

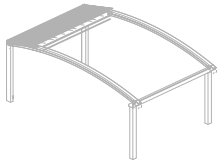
		OUT TO OUT PILLAR SIZE				
		450	550	600	650	700
PROJECTION	450	A	A	B	B	C
	500	A	A	B	B	C
	550	A	A	B	C	C
	600	A	B	B	C	C
F. PILLAR		100*100 ALU		100*100*3 G.S		100*100*5 G.S
F. BEAM	A	100*150 ALU	B	100*150*3 G.S	C	100*200*5 G.S

- * Use of front pillar and beam should be additionally priced.
- * Floor mounting of the pillar is performed with flange of 200*200*10 mm or ground anchor.
- * Application is made behind the gutter system.
- * Maximum height is 4m for aluminum front pillars and 5m for steel front pillars.
- * If front pillar and beam is made of steel, water drain is given from empty aluminum box profile of 100*100.

TERMS OF USE OF BACK PILLAR AND BACK BEAM

		OUT TO OUT PILLAR SIZE						
		500	550	600	700	750	800	900
PROJECTION	450	B	B	C	C	D	D	D
	500	B	B	C	C	D	D	D
	550	B	B	C	C	D	D	D
	600	C	C	C	C	D	D	D
BACK PILLAR		100*100 ALU		100*100*3 G.S		100*100*5 G.S		100*200*5 G.S
BACK BEAM	B	100*150 ALU	C	100*150*3 G.S	D	100*200*5 G.S		

- * Use of back pillar and beam should be additionally priced.
- * Floor mounting of the pillar is performed with flange of 200*200*10 mm or ground anchor.
- * Maximum height is 4m for aluminum back pillars and 5m for steel back pillars.
- * If back pillar and beam is made of steel, water drain is given from empty aluminum box profile of 100*100mm.



TWIN STANDING SYSTEM WITH FRONT PILLAR SINGLE MOTOR 1200 SERIES

		WIDTH																								
PROJECTION		2 RAIL			3 RAIL						4 RAIL						5 RAIL					FS4-L1200 (R99)	FS9-PD			
		250 cm	300 cm	350 cm	400 cm	450 cm	500 cm	550 cm	600 cm	650 cm	700 cm	750 cm	800 cm	850 cm	900 cm	950 cm	1000 cm	1050 cm	1100 cm	1150 cm	1200 cm	1250 cm	1300 cm	FS10-L1200 (ALM-08)		
	400 cm	€ 8.753	€ 9.143	€ 9.642	€ 10.558	€ 12.015	€ 12.415	€ 12.807	€ 13.341	€ 13.827	€ 14.165	€ 15.418	€ 15.986	€ 17.394	€ 17.780	€ 18.168	€ 18.554	€ 18.942	€ 19.526	€ 20.059	€ 20.370	€ 21.028	€ 21.412	€ 1.539	€ 38	
450 cm	€ 9.022	€ 9.422	€ 9.931	€ 10.936	€ 12.415	€ 12.825	€ 13.227	€ 13.770	€ 14.267	€ 14.612	€ 15.963	€ 16.545	€ 17.968	€ 18.365	€ 18.761	€ 19.158	€ 19.553	€ 20.150	€ 20.692	€ 21.008	€ 21.676	€ 22.071	€ 1.636	€ 46		
500 cm	€ 9.282	€ 9.693	€ 10.214	€ 11.305	€ 12.808	€ 13.230	€ 13.640	€ 14.194	€ 14.701	€ 15.051	€ 16.499	€ 17.098	€ 18.536	€ 18.942	€ 19.349	€ 19.755	€ 20.161	€ 20.763	€ 21.315	€ 21.642	€ 22.320	€ 22.724	€ 1.736	€ 54		
550 cm	€ 9.745	€ 10.360	€ 10.930	€ 12.111	€ 13.709	€ 14.181	€ 14.787	€ 15.246	€ 15.952	€ 16.349	€ 17.762	€ 18.468	€ 20.012	€ 20.491	€ 20.970	€ 21.448	€ 22.052	€ 22.706	€ 23.308	€ 23.674			€ 1.833	€ 62		
600 cm	€ 10.017	€ 10.641	€ 11.223	€ 12.490	€ 14.110	€ 14.592	€ 15.212	€ 15.680	€ 16.393	€ 16.799	€ 18.442	€ 19.130	€ 20.656	€ 21.122	€ 21.589	€ 22.053	€ 22.668	€ 23.333					€ 1.930	€ 69		

FS5-A	€ 44	€ 56	€ 65	€ 75	€ 87	€ 96	€ 108	€ 117	€ 129	€ 139	€ 150	€ 160	€ 171	€ 181	€ 192	€ 202	€ 214	€ 223	€ 235	€ 244	€ 256	€ 266
FS5-E	€ 61	€ 77	€ 90	€ 103	€ 119	€ 132	€ 148	€ 162	€ 178	€ 191	€ 207	€ 220	€ 236	€ 249	€ 265	€ 278	€ 294	€ 307	€ 323	€ 336	€ 352	€ 366

FS5-A	Additional Fabric Support Profile (Standard)
FS4-L1200 (R99) FS10-L1200 (ALM-08)	Additional Rail for L1200 Series - Al. - 75x120mm Additional Pillar for L1200 Series - Al. 65x120mm
FS8	Lighting System
FS9-PD	From FS9-L1200 (Y66) to FS9

LED TYPE & MODULE				
FS8		2 LED	3 LED	4 LED
FS8-S	SPOT	€ 136	€ 165	€ 194
FS8-L	LINEAR	€ 194	€ 252	
FS8-LR	LINEAR (RGB)	€ 247	€ 320	

Notes:

- If additional rail is required, it is also necessary to use a corresponding front pillar. Both parts are included in the price of option FS4-1200+FS10-1200(ALM-08).
- FS9-L1200 (Y66) (Al. 65x120mm) Side Beam is included in the price for right and left side as a standard. For other option which is FS9 (Al. 50x150mm) is extra cost. Please define on your technical drawing.
- FS Flexy Plain/3D or Stam 6002 is included in the price.
- Motor and Remote control is included in the price.
- Palmye Aluminium Coating Catalogue includes the standard colours with no extra cost. For any other type/brand/color of paint, price difference and additional delivery duration shall be checked from your customer representative.
- Standard "Fabric support profile plastic colors" are specified in our Aluminium coating catalogue.

DEDUCTIONS

Price deduction is applicable only for pillars and beam. Deduction amount shall be consider as 70% of related option price.

OPTIONS

FS10-L1200 (ALM-08)	Extra pillar (65x120mm Al.) for L1200 series	€ 203	pcs
FS10	Extra pillar (100x100mm Al.)	€ 540	pcs
FS10-ST3	Extra pillar (100x100x3mm St.)	€ 671	pcs
FS10-ST5	Extra pillar (100x100x5mm St.)	€ 978	pcs
FS11	Deco ceiling cover	€ 75	m ²
FS15	Side beam pillar (50x100mm - Al)	€ 280	pcs
FS15-B	Side beam pillar (100x100mm - Al)	€ 540	pcs
FS15-L1200 (ALM-12)	Side beam pillar (65x120mm - Al) for L1200 series	€ 203	pcs
FS19	Fix louver	€ 74	lm
FS23	External Square Downpipe	€ 330	pcs
FS24	W96 Ceiling Cover	€ 86	m ²
FS26	Exclusive fabric difference (up to 800cm width)	€ 51	m ²
FS29-1	Sun Sensor (SUNIS) (for single motor)	€ 625	pcs
FS29-1S	Sun Sensor (SUNIS) (for synchronized motor)	€ 989	pcs
FS29-2	Wind Sensor (EOLIS RTS) (for single motor)	€ 292	pcs
FS29-2S	Wind Sensor (EOLIS RTS) (for synchronized motor)	€ 657	pcs
FS29-3	Sun and Wind Sensor (SOLIRIS RTS) (for single motor)	€ 331	pcs
FS29-3S	Sun and Wind Sensor (SOLIRIS RTS) (for synchronized motor)	€ 696	pcs
FS29-4 ^{2/3}	Rain Sensor (ONDEIS) (for single motor)	€ 574	pcs
FS29-4S ^{2/3}	Rain Sensor (ONDEIS) (for synchronized motor)	€ 939	pcs
FS30	CONNEXOON	€ 525	pcs

EXTENSIONS

L1200 Rail - 75x120mm	€ 152	lm
Beam Profile (Al. 100x150mm)	€ 155	lm
Beam Profile (St. 100x150x3mm)	€ 320	lm
Beam Profile (St. 100x150x5mm)	€ 388	lm
Beam Profile (St. 100x200x3mm)	€ 325	lm
Beam Profile (St. 100x200x5mm)	€ 462	lm
Fabric protection cover (Al. - 63x__cm)	€ 60	m ²
L1200 Gutter	€ 64	lm

*Max. Al. Front pillar (Al. 65x120mm) height is 280cm

*Max. St 3mm. Front pillar (St. 100x100x3mm) height is 380cm

*Max. St. 5mm Front pillar (St. 100x100x5mm) height is 480cm

PRICE DIFFERENCE

		BEAM GROUP			
		Standard	Al. 100x150mm		
Back Beam	to	St. 100x150x3mm	€ 160 lm		
		St. 100x150x5mm	€ 238 lm		
		St. 100x200x3mm	€ 165 lm		
		St. 100x200x5mm	€ 311 lm		
		PILLAR GROUP			
		Standard	Al. 65x120mm		
Front Pillar	to	Al. 80x80mm	€ 197 pcs		
		Al. 100x100mm	€ 342 pcs		
		St. 100x100x3mm	€ 416 pcs		
		St. 100x100x5mm	€ 729 pcs		
Back Pillar	to	St. 150x150x3mm	€ 1.008 pcs		
		St. 150x150x5mm	€ 1.516 pcs		
				Standard	Al. 100x100mm
		to	St. 100x100x3mm	€ 117 pcs	
St. 100x100x5mm	€ 479 pcs				
St. 150x150x3mm	€ 731 pcs				
		St. 150x150x5mm	€ 1.294 pcs		

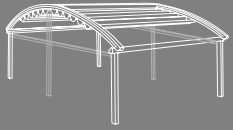
Notes:

1. Fabric support profiles can be painted in the same color as the general construction. No fee is paid for this process.

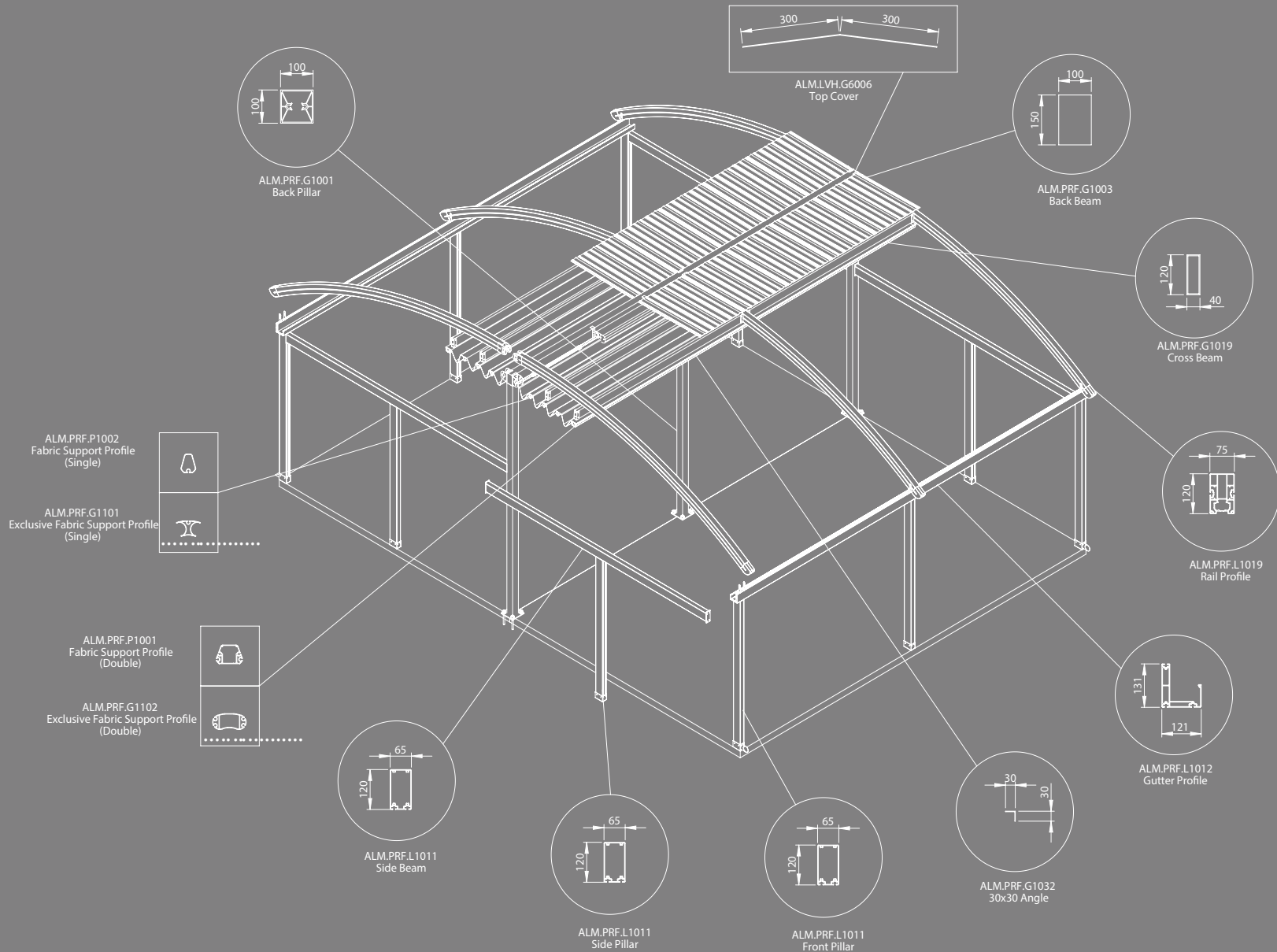
However, the plastic color should be specified from our standard plastic colours in Palmiye Color Chart.

2. For one product, a dry contact transmitter costing 370€, must be added.

3. Up to 5 products, a RS485 Automation interface dry contact transmitter costing 1126€, must be added.



TWIN STANDING SYSTEM WITH FRONT PILLAR TWIN MOTOR 1200 SERIES



Freestanding products must have flanges on the pillars.

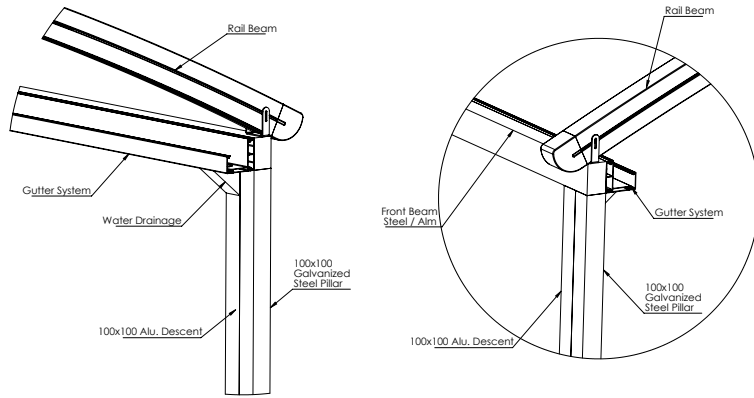
TECHNICAL DETAILS

WATER DRAIN&GUTTER CALCULATION

PRODUCT TYPE	MAX. M ²	USED PRODUCT TYPE
WATER DRAINAGE 45	34m ²	1200 Series Standard

*There should be at least one drainage, each 8 m length gutter.

APPLICATION FORM IN STEEL FRONT BEAM AND DEVICE

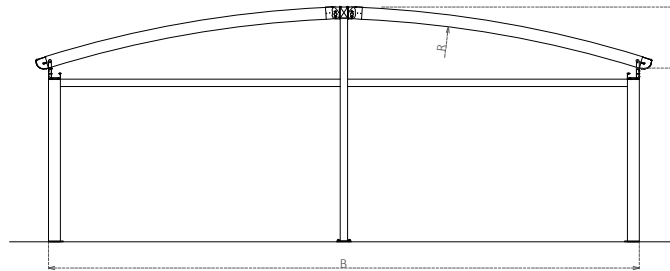


* In use of aluminum front pillar of 100*100 and front beam of 100*150 water drain, is applied from the available pillar. No external descent is applied.

TERMS OF USE OF FRONT PILLAR AND BEAM

		OUT TO OUT PILLAR SIZE				
		450	550	600	650	700
PROJECTION	800	A	A	B	B	C
	900	A	A	B	B	C
	1000	A	A	B	C	C
	1100	A	B	B	C	C
	1200	A	B	C	C	C
F. PILLAR	A	100*100 ALU	B	100*100*3 G.S	C	100*100*5 G.S
F. BEAM		100*150 ALU		100*150*3 G.S		100*200*5 G.S

- * Use of front pillar and beam should be additionally priced.
- * Ground mounting of the pillar is performed with flange of 200x200x10 or 100x100 stainless ground anchor.
- * Application is made behind the gutter system.
- * Maximum height is 4m for aluminum front pillars and 5m for steel front pillars.
- * If front pillar and beam is made of steel, water drain is given from empty aluminum box profile of 100*100.



RADIUS CHART

RADIUS	650	850	1500	2850
Projection	A			
250	34			
300	41			
350	49			
400	58			
450	68	56		
500	81	65		
550	94	74		
600		85		
650		96		
700		109		
750		122	75	
800		137	83	
850		153	91	
900			100	
950			109	
1000			118	
1050			128	
1100			139	
1150			150	89
1200			161	94

*The values are approx. ± 5 cm

TERMS OF USE OF MIDDLE PILLAR AND BEAM FOR TWIN STANDING SYSTEM (STANDART)

		PRODUCT WIDTH																		
		450	500	550	600	650	700	750	800	850	900	950	1000	1050	1100	1150	1200	1250	1300	
PROJECTION	800	A	A	A	A	A	A	A	A	A	A	A	A	A	A	A	A	A	A	
	900	A	A	A	A	A	A	A	A	A	A	A	A	A	A	A	A	A	A	
	1000	A	A	A	A	A	A	A	A	A	A	A	A	A	A	A	A	A	A	
	1100	A	A	A	A	A	A	A	A	A	A	A	A	A	A	A	A	A	A	
	1200	A	A	A	A	A	A	A	A	A	A	A	A	A	A	A	A	A	A	
GROUND FLANGE BACK PILLAR BACK BEAM		A			200*200*10 FLANGE ALU 100*100 ALU 100*150 ALU															

* Price of middle pillar and beam is included in the list price for twin standing system.

TERMS OF USE OF MIDDLE PILLAR AND BEAM

		OUT TO OUT PILLAR SIZE						
		500	550	600	700	750	800	900
PROJECTION	800	B	B	B	C	D	D	D
	900	B	B	B	C	D	D	D
	1000	B	B	B	C	D	D	D
	1100	B	B	C	C	D	D	D
	1200	B	C	C	C	D	D	D
F. PILLAR	B	100*100 ALU	C	100*100*3 G.S	D	100*100*5 G.S	100*200*5 G.S	
F. BEAM		100*150 ALU		100*150*3 G.S				

- * Use of middle pillar and beam should be additionally priced.
- * Floor mounting of the pillar is performed with flange of 200*200*10 mm or ground anchor.
- * Maximum height is 4m for aluminum middle pillars and 5m for steel middle pillars.



TWIN STANDING SYSTEM WITH FRONT PILLAR TWIN MOTOR 1200 SERIES

PROJECTION	WIDTH																						FS4-L1200 (R99) FS10-L1200 (ALM-08)	FS9-PD
	2 RAIL				3 RAIL								4 RAIL						5 RAIL					
	250 cm	300 cm	350 cm	400 cm	450 cm	500 cm	550 cm	600 cm	650 cm	700 cm	750 cm	800 cm	850 cm	900 cm	950 cm	1000 cm	1050 cm	1100 cm	1150 cm	1200 cm	1250 cm	1300 cm		
400 cm	€ 9.166	€ 9.602	€ 10.158	€ 10.776	€ 12.587	€ 13.034	€ 13.470	€ 14.065	€ 14.608	€ 14.983	€ 15.502	€ 16.095	€ 18.359	€ 18.790	€ 19.221	€ 19.651	€ 20.084	€ 20.511	€ 21.104	€ 21.451	€ 22.186	€ 22.615	€ 1.539	€ 38
450 cm	€ 9.484	€ 9.931	€ 10.499	€ 11.129	€ 13.052	€ 13.509	€ 13.958	€ 14.563	€ 15.117	€ 15.502	€ 16.032	€ 16.637	€ 19.021	€ 19.462	€ 19.903	€ 20.345	€ 20.786	€ 21.228	€ 21.832	€ 22.184	€ 22.931	€ 23.369	€ 1.636	€ 46
500 cm	€ 9.795	€ 10.253	€ 10.834	€ 11.473	€ 13.511	€ 13.981	€ 14.437	€ 15.055	€ 15.623	€ 16.013	€ 16.554	€ 17.169	€ 19.673	€ 20.125	€ 20.579	€ 21.031	€ 21.483	€ 21.934	€ 22.548	€ 22.911	€ 23.669	€ 24.119	€ 1.736	€ 54
550 cm	€ 10.333	€ 11.020	€ 11.656	€ 12.356	€ 14.538	€ 15.066	€ 15.741	€ 16.254	€ 17.042	€ 17.485	€ 18.082	€ 18.756	€ 21.347	€ 21.880	€ 22.414	€ 22.947	€ 23.621	€ 24.128	€ 24.800	€ 25.208	€ 26.019	€ 26.691	€ 1.833	€ 62
600 cm	€ 10.655	€ 11.352	€ 12.004	€ 12.714	€ 15.008	€ 15.546	€ 16.236	€ 16.760	€ 17.557	€ 18.007	€ 18.617	€ 19.301	€ 22.087	€ 22.606	€ 23.126	€ 23.646	€ 24.330	€ 24.848	€ 25.531	€ 25.948	€ 26.770	€ 27.452	€ 1.930	€ 69
650 cm	€ 10.968	€ 11.679	€ 12.340	€ 13.060	€ 15.466	€ 16.018	€ 16.721	€ 17.255	€ 18.063	€ 18.451	€ 19.065	€ 19.759	€ 22.738	€ 23.270	€ 23.805	€ 24.337	€ 24.949	€ 25.562	€ 26.255	€ 26.679	€ 27.513	€ 28.207	€ 2.030	€ 77
700 cm	€ 11.284	€ 12.004	€ 12.676	€ 13.411	€ 15.932	€ 16.494	€ 17.203	€ 17.752	€ 18.570	€ 18.963	€ 19.592	€ 20.297	€ 23.404	€ 23.944	€ 24.487	€ 25.029	€ 25.733	€ 26.273	€ 26.981	€ 27.411	€ 28.258	€ 28.959	€ 2.127	€ 85
750 cm	€ 11.599	€ 12.331	€ 13.016	€ 13.759	€ 16.395	€ 16.969	€ 17.689	€ 18.247	€ 19.080	€ 19.480	€ 20.116	€ 20.831	€ 24.064	€ 24.616	€ 25.168	€ 25.721	€ 26.437	€ 26.988	€ 27.704	€ 28.144	€ 29.000	€ 29.713	€ 2.224	€ 93
800 cm	€ 14.083	€ 14.764	€ 15.630	€ 16.590	€ 19.315	€ 20.007	€ 20.683	€ 21.610	€ 22.454	€ 23.031	€ 23.790	€ 24.714	€ 28.153	€ 28.820	€ 29.486	€ 30.153	€ 30.823	€ 31.484	€ 32.408	€ 32.942	€ 33.972	€ 34.635	€ 2.323	€ 101
850 cm	€ 14.340	€ 15.028	€ 15.904	€ 16.874	€ 19.689	€ 20.390	€ 21.074	€ 22.009	€ 22.861	€ 23.447	€ 24.214	€ 25.147	€ 28.680	€ 29.354	€ 30.031	€ 30.705	€ 31.382	€ 32.054	€ 32.987	€ 33.527	€ 34.565	€ 35.237	€ 2.421	€ 109
900 cm	€ 14.596	€ 15.294	€ 16.179	€ 17.157	€ 20.061	€ 20.770	€ 21.464	€ 22.409	€ 23.269	€ 23.862	€ 24.639	€ 25.579	€ 29.207	€ 29.890	€ 30.575	€ 31.259	€ 31.942	€ 33.566	€ 34.109	€ 35.157	€ 35.838	€ 2.518	€ 116	
950 cm	€ 14.848	€ 15.555	€ 16.449	€ 17.435	€ 20.429	€ 21.147	€ 21.848	€ 22.800	€ 23.673	€ 24.269	€ 25.056	€ 26.005	€ 29.727	€ 30.419	€ 31.112	€ 31.806	€ 32.497	€ 33.187	€ 34.136	€ 34.689	€ 35.745	€ 36.433	€ 2.617	€ 124
1000 cm	€ 15.100	€ 15.816	€ 16.719	€ 17.716	€ 20.797	€ 21.524	€ 22.232	€ 23.194	€ 24.076	€ 24.679	€ 25.474	€ 26.432	€ 30.247	€ 30.948	€ 31.650	€ 32.351	€ 33.053	€ 33.748	€ 34.706	€ 35.268	€ 36.333	€ 37.030	€ 2.716	€ 132
1050 cm	€ 15.529	€ 16.424	€ 17.373	€ 18.417	€ 21.612	€ 22.384	€ 23.265	€ 24.143	€ 25.201	€ 25.844	€ 26.682	€ 27.686	€ 31.572	€ 32.335	€ 33.102	€ 33.865	€ 34.740	€ 35.484	€ 36.485	€ 37.082	€ 38.190	€ 39.062	€ 2.813	€ 139
1100 cm	€ 15.957	€ 17.032	€ 18.025	€ 19.117	€ 22.425	€ 23.244	€ 24.298	€ 25.093	€ 26.323	€ 27.009	€ 27.890	€ 28.941	€ 32.894	€ 33.722	€ 34.551	€ 35.378	€ 36.429	€ 37.217	€ 38.263	€ 38.895	€ 40.046	€ 41.092	€ 2.911	€ 147
1150 cm	€ 16.215	€ 17.300	€ 18.304	€ 19.403	€ 22.800	€ 23.628	€ 24.693	€ 25.497	€ 26.734	€ 27.426	€ 28.317	€ 29.375	€ 33.482	€ 34.299	€ 35.117	€ 35.934	€ 36.992	€ 37.789	€ 38.844	€ 39.483	€ 40.643	€ 41.698	€ 3.008	€ 155
1200 cm	€ 16.474	€ 17.568	€ 18.583	€ 19.689	€ 23.174	€ 24.010	€ 25.088	€ 25.899	€ 27.143	€ 27.844	€ 28.743	€ 29.811	€ 34.072	€ 34.876	€ 35.684	€ 36.490	€ 37.557	€ 38.363	€ 39.426	€ 40.070	€ 41.238	€ 42.302	€ 3.107	€ 163

FS5-A	€ 44	€ 56	€ 65	€ 75	€ 87	€ 96	€ 108	€ 117	€ 129	€ 139	€ 150	€ 160	€ 171	€ 181	€ 192	€ 202	€ 214	€ 223	€ 235	€ 244	€ 256	€ 266
FS5-E	€ 61	€ 77	€ 90	€ 103	€ 119	€ 132	€ 148	€ 162	€ 178	€ 191	€ 207	€ 220	€ 236	€ 249	€ 265	€ 278	€ 294	€ 307	€ 323	€ 336	€ 352	€ 366

FS5-A	Additional Fabric Support Profile (Standard)
FS4-L1200 (R99) FS10-L1200 (ALM-08)	Additional Rail for L1200 Series - Al. - 75x120mm Additional Pillar for L1200 Series - Al. 65x120mm
FS8	Lighting System
FS9-PD	From FS9-L1200 (Y66) to FS9

FS8	
FS8-S	SPOT
FS8-L	LINEAR
FS8-LR	LINEAR (RGB)

LED TYPE & MODULE		
2 LED	3 LED	4 LED
€ 136	€ 165	€ 194
€ 194	€ 252	
€ 247	€ 320	

Notes:

- If additional rail is required, it is also necessary to use a corresponding front pillar. Both parts are included in the price of option FS4-1200+FS10-1200(ALM-08).
- FS9-L1200 (Y66) (Al. 65x120mm) Side Beam is included in the price for right and left side as a standard. For other option which is FS9 (Al. 50x150mm) is extra cost. Please define on your technical drawing.
- FS Flexy Plain/3D or Stam 6002 is included in the price.
- Motor and Remote control is included in the price.
- Palmiye Aluminium Coating Catalogue includes the standard colours with no extra cost. For any other type/brand/color of paint, price difference and additional delivery duration shall be checked from your customer representative.
- Standard "Fabric support profile plastic colors" are specified in our Aluminium coating catalogue.

DEDUCTIONS

Price deduction is applicable only for front & back pillars and side beam. Deduction amount shall be consider as 70% of related option price.

OPTIONS

FS10-L1200 (ALM-08)	Extra pillar (65x120mm Al.) for L1200 series	€ 203	pcs
FS10	Extra pillar (100x100mm Al.)	€ 540	pcs
FS10-ST3	Extra pillar (100x100x3mm St.)	€ 671	pcs
FS10-ST5	Extra pillar (100x100x5mm St.)	€ 978	pcs
FS11	Deco ceiling cover	€ 75	m ²
FS15	Side beam pillar (50x100mm - Al)	€ 280	pcs
FS15-B	Side beam pillar (100x100mm - Al)	€ 540	pcs
FS15-L1200 (ALM-12)	Side beam pillar (65x120mm - Al) for L1200 series	€ 203	pcs
FS19	Fix louver	€ 74	lm
FS23	External Square Downpipe	€ 330	pcs
FS24	W96 Ceiling Cover	€ 86	m ²
FS26	Exclusive fabric difference (up to 800cm width)	€ 51	m ²
FS29-1	Sun Sensor (SUNIS) (for single motor)	€ 625	pcs
FS29-1S	Sun Sensor (SUNIS) (for synchronized motor)	€ 989	pcs
FS29-2	Wind Sensor (EOLIS RTS) (for single motor)	€ 292	pcs
FS29-2S	Wind Sensor (EOLIS RTS) (for synchronized motor)	€ 657	pcs
FS29-3	Sun and Wind Sensor (SOLIRIS RTS) (for single motor)	€ 331	pcs
FS29-3S	Sun and Wind Sensor (SOLIRIS RTS) (for synchronized motor)	€ 696	pcs
FS29-4 ^{2/3}	Rain Sensor (ONDEIS) (for single motor)	€ 574	pcs
FS29-4S ^{2/3}	Rain Sensor (ONDEIS) (for synchronized motor)	€ 939	pcs
FS30	CONNEXOON	€ 525	pcs

EXTENSIONS

L1200 Rail - 75x120mm	€ 152	lm
Beam Profile (Al. 100x150mm)	€ 155	lm
Beam Profile (St. 100x150x3mm)	€ 320	lm
Beam Profile (St. 100x150x5mm)	€ 388	lm
Beam Profile (St. 100x200x3mm)	€ 325	lm
Beam Profile (St. 100x200x5mm)	€ 462	lm
Fabric protection cover (Al. - 63x__cm)	€ 60	m ²
L1200 Gutter	€ 64	lm

*Max. Al. Front pillar (Al. 65x120mm) height is 280cm

*Max. St 3mm. Front pillar (St. 100x100x3mm) height is 380cm

*Max. St. 5mm Front pillar (St. 100x100x5mm) height is 480cm

PRICE DIFFERENCE

BEAM GROUP

	Standard	Al. 100x150mm		
Back Beam	to	St. 100x150x3mm	€ 160	lm
		St. 100x150x5mm	€ 238	lm
		St. 100x200x3mm	€ 165	lm
		St. 100x200x5mm	€ 311	lm

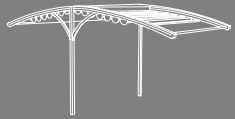
PILLAR GROUP

	Standard	Al. 65x120mm		
Front Pillar	to	Al. 80x80mm	€ 197	pcs
		Al. 100x100mm	€ 342	pcs
		St. 100x100x3mm	€ 416	pcs
		St. 100x100x5mm	€ 729	pcs
		St. 150x150x3mm	€ 1.008	pcs
		St. 150x150x5mm	€ 1.516	pcs

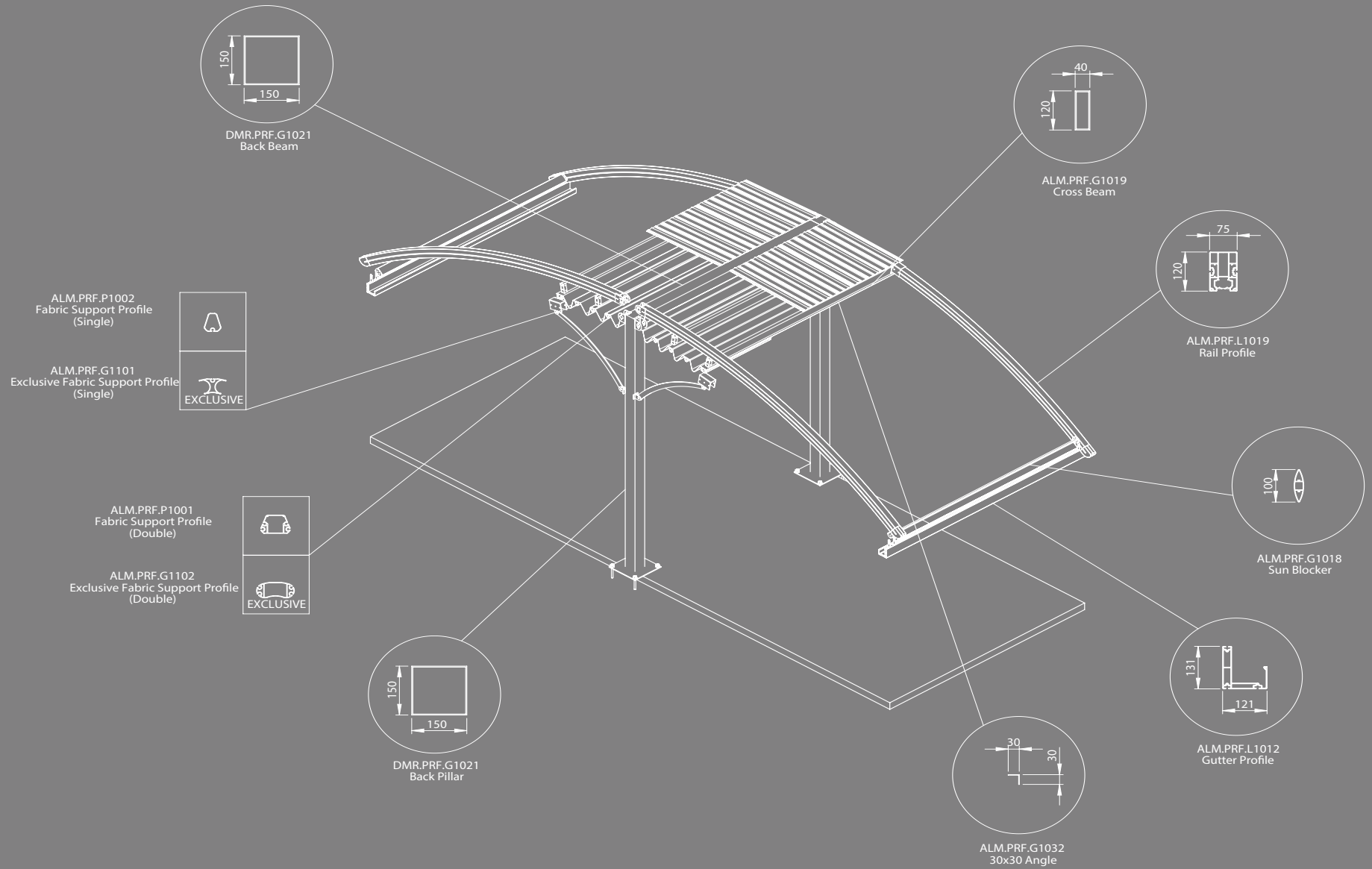
	Standard	Al. 100x100mm		
Back Pillar	to	St. 100x100x3mm	€ 117	pcs
		St. 100x100x5mm	€ 479	pcs
		St. 150x150x3mm	€ 731	pcs
		St. 150x150x5mm	€ 1.294	pcs

Notes:

1. Fabric support profiles can be painted in the same color as the general construction. No fee is paid for this process. However, the plastic color should be specified from our standard plastic colours in Palmiye Colour Chart.
2. For one product, a dry contact transmitter costing 370€, must be added.
3. Up to 5 products, a RS485 Automation interface dry contact transmitter costing 1126€, must be added.
4. In pergolas including steel front pillars, if gutter option is preferred, external water drainage points will be specified according to the Project and will be priced additionally.



TWIN BRACKET SYSTEM 1200 SERIES



WATER DRAIN&GUTTER CALCULATION

PRODUCT TYPE	MAX. M ²	USED PRODUCT TYPE
WATER DRAINAGE 45	34m ²	1200 Series Standard

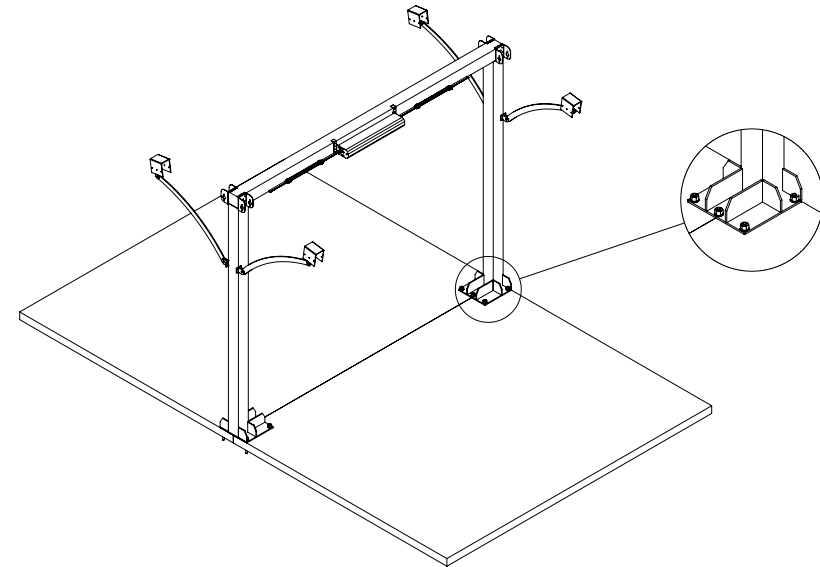
*There should be at least one drainage, each 8 m length gutter.

RADIUS CHART

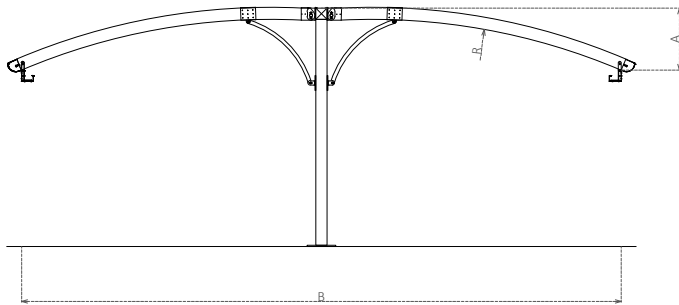
RADIUS	650	850	1500
--------	-----	-----	------

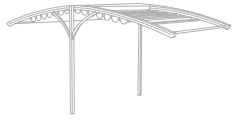
Projection	A		
400	58		
500	81	65	
600		85	
700		109	
800		137	83

*The values are approx. ± 5 cm



- * Distance between two pillars depends on the system width.
- * For the systems with 2 units next to each other, one of the pillars in the middle will be removed.
- * Strut support apparatus is used under each rail.
- * Pillar and beam are used as 150*150*3mm in standard.





TWIN BRACKET SYSTEM 1200 SERIES

		WIDTH			
PROJECTION	2 RAIL				
		250 cm	300 cm	350 cm	400 cm
	400 cm	€ 9.248	€ 9.678	€ 10.226	€ 10.834
	450 cm	€ 9.554	€ 9.995	€ 10.553	€ 11.174
	500 cm	€ 9.854	€ 10.305	€ 10.876	€ 11.507
	550 cm	€ 10.375	€ 11.050	€ 11.679	€ 12.368
	600 cm	€ 10.686	€ 11.373	€ 12.014	€ 12.714
	650 cm	€ 10.987	€ 11.688	€ 12.338	€ 13.049
	700 cm	€ 11.292	€ 12.002	€ 12.663	€ 13.387
	750 cm	€ 11.597	€ 12.317	€ 12.990	€ 13.722
800 cm	€ 12.005	€ 12.744	€ 13.434	€ 14.183	

G23	€ 136	€ 141	€ 156	€ 169
FS5-A	€ 44	€ 56	€ 65	€ 75
FS5-E	€ 61	€ 77	€ 90	€ 103

G23	L1200 Gutter System (One side)
FS5-A	Additional Fabric Support Profile (Standard)
FS8	Lighting System

FS8	
FS8-S	SPOT
FS8-L	LINEAR
FS8-LR	LINEAR (RGB)

LED TYPE & MODULE		
2 LED	3 LED	4 LED
€ 136	€ 165	€ 194
€ 194	€ 252	
€ 247	€ 320	

Notes:

1. Modules can not be combined.
2. Side beam is not applicable
3. FS Flexy Plain/3D or Stam 6002 is included in the price.
4. Motor and Remote control is included in the price.
5. Palmiye Aluminium Coating Catalogue includes the standard colours with no extra cost. For any other type/brand/color of paint, price difference and additional delivery duration shall be checked from your customer representative.
6. Standard "Fabric support profile plastic colors" are specified in our Aluminium coating catalogue.

DEDUCTIONS

Price deduction is applicable only for back pillars and back beam. Deduction amount shall be consider as 70% of related option price.

OPTIONS

FS10	Extra pillar (100x100mm Al.)	€ 540	pcs
FS10-ST3	Extra pillar (100x100x3mm St.)	€ 671	pcs
FS10-ST5	Extra pillar (100x100x5mm St.)	€ 978	pcs
FS11	Deco ceiling cover	€ 75	m ²
FS15	Side beam pillar (50x100mm - Al)	€ 280	pcs
FS15-B	Side beam pillar (100x100mm - Al)	€ 540	pcs
FS15-L1200 (ALM-12)	Side beam pillar (65x120mm - Al) for L1200 series	€ 203	pcs
FS19	Fix louver	€ 74	lm
FS23	External Square Downpipe	€ 330	pcs
FS24	W96 Ceiling Cover	€ 86	m ²
FS26	Exclusive fabric difference (up to 800cm width)	€ 51	m ²
FS28-1	Stainless steel chain - 100 cm	€ 78	pcs
FS28-2	Stainless steel chain - 200 cm	€ 153	pcs
FS28-3	Stainless steel chain - 300 cm	€ 230	pcs
FS28-4	Stainless steel chain - 400 cm	€ 306	pcs
FS29-1	Sun Sensor (SUNIS) (for single motor)	€ 625	pcs
FS29-2	Wind Sensor (EOLIS RTS) (for single motor)	€ 292	pcs
FS29-3	Sun and Wind Sensor (SOLIRIS RTS) (for single motor)	€ 331	pcs
FS29-4 ^{2/3}	Rain Sensor (ONDEIS) (for single motor)	€ 574	pcs
FS30	CONNEXOON	€ 525	pcs
FS10-150ST3	Extra pillar (150x150x3mm St.)	€ 1.252	pcs
FS10-150ST5	Extra pillar (150x150x5mm St.)	€ 1.751	pcs

EXTENSIONS

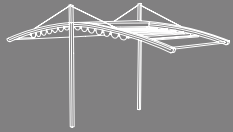
Beam Profile (Al. 100x150mm)	€ 155	lm
Beam Profile (St. 100x150x3mm)	€ 320	lm
Beam Profile (St. 100x150x5mm)	€ 388	lm
Beam Profile (St. 100x200x3mm)	€ 325	lm
Beam Profile (St. 100x200x5mm)	€ 462	lm
Fabric protection cover (Al. - 63x__cm)	€ 60	m ²
L1200 Gutter	€ 64	lm
L1200 Rail - 75x120mm	€ 152	lm

PRICE DIFFERENCE

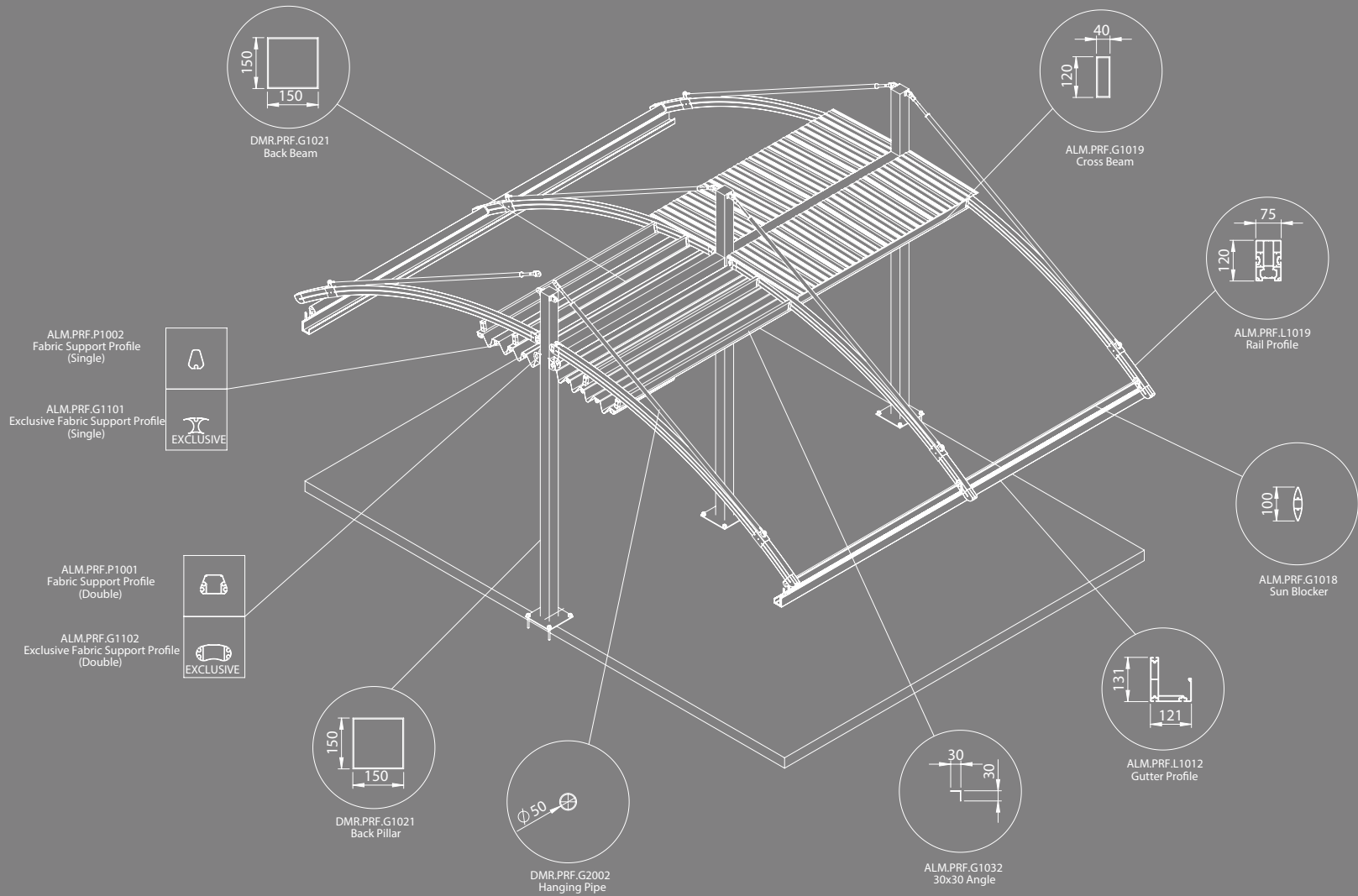
PILLAR GROUP			
Pillar	Standard	St. 150x150x3mm	
		to	St. 150x150x5mm

Notes:

1. Fabric support profiles can be painted in the same color as the general construction. No fee is paid for this process. However, the plastic color should be specified from our standard plastic colours in Palmiye Colour Chart.
2. For one product, a dry contact transmitter costing 370€, must be added.
3. Up to 5 products, a RS485 Automation interface dry contact transmitter costing 1126€, must be added.
4. In pergolas including steel front pillars, if gutter option is preferred, external water drainage points will be specified according to the Project and will be priced additionally.
5. The prices in the main table are for wall mounted products. This model also can be made as freestanding. For freestanding applications "FS10-150ST3" or "FS10-150ST5" pillar options and "St. 150x150x3mm" or "St. 150x150x5mm" back beam options should be added to the main prices.



TWIN HANGING SYSTEM 1200 SERIES



WATER DRAIN&GUTTER CALCULATION

PRODUCT TYPE	MAX. M ²	USED PRODUCT TYPE
WATER DRAINAGE 45	34m ²	1200 Series Standard

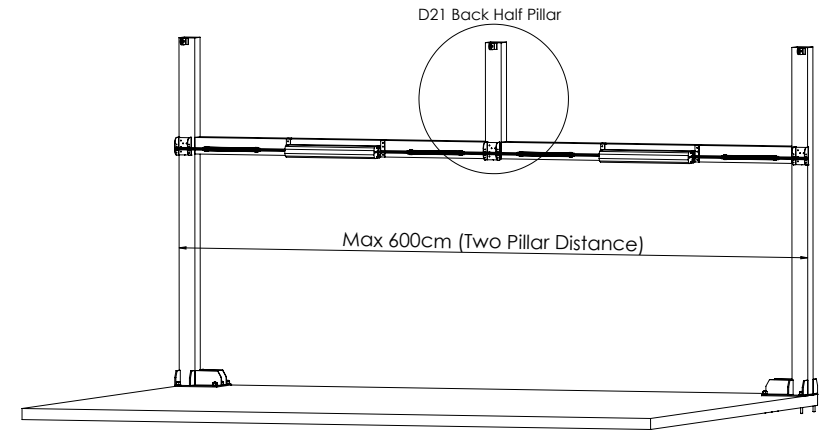
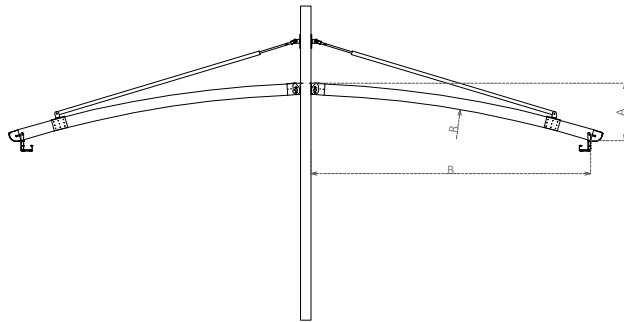
*There should be at least one drainage, each 8 m length gutter.

RADIUS CHART

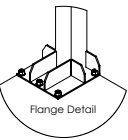
RADIUS	650	850	1500
--------	-----	-----	------

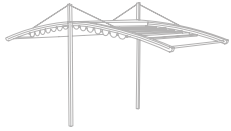
Projection	A			B
300	41			
400	58			
500	81	65		
600		85		
700		109		
800		137	83	
900			100	
1000			118	
1100			139	
1200			161	

*The values are approx. ± 5 cm



- This model includes 3m steel back beam and pillars.
- The front beam can not be produced in steel.
- Ground flanges are 380x380x15 mm.
- When pillar reduction is applied, Extra half pillar (150x150x5mm St.) must be installed at the back of each rail shaft, and all steel pillars should be 150x150x5 mm.
- In condition of adding an additional rail, a steel 150x150x3m back pillar should also be added.





TWIN HANGING SYSTEM 1200 SERIES

		WIDTH																				FS4-L1200 (R99)		
		2 RAIL				3 RAIL						4 RAIL						5 RAIL						
		250 cm	300 cm	350 cm	400 cm	450 cm	500 cm	550 cm	600 cm	650 cm	700 cm	750 cm	800 cm	850 cm	900 cm	950 cm	1000 cm	1050 cm	1100 cm	1150 cm	1200 cm		1250 cm	1300 cm
PROJECTION	400 cm	€ 8.630	€ 9.027	€ 9.534	€ 10.097	€ 10.505	€ 12.355	€ 12.753	€ 13.296	€ 13.793	€ 14.135	€ 14.617	€ 15.157	€ 15.704	€ 15.948	€ 18.243	€ 18.636	€ 19.033	€ 19.423	€ 19.964	€ 20.281	€ 20.767	€ 21.158	€ 1.336
	450 cm	€ 8.912	€ 9.320	€ 9.838	€ 10.412	€ 10.830	€ 12.782	€ 13.191	€ 13.745	€ 14.251	€ 14.601	€ 15.092	€ 15.643	€ 16.200	€ 16.452	€ 18.860	€ 19.262	€ 19.666	€ 20.068	€ 20.620	€ 20.942	€ 21.437	€ 21.839	€ 1.433
	500 cm	€ 9.191	€ 9.609	€ 10.138	€ 10.721	€ 11.150	€ 13.205	€ 13.622	€ 14.185	€ 14.703	€ 15.060	€ 15.561	€ 16.122	€ 16.692	€ 16.951	€ 19.467	€ 19.880	€ 20.293	€ 20.704	€ 21.265	€ 21.596	€ 22.103	€ 22.514	€ 1.533
	550 cm	€ 9.674	€ 10.299	€ 10.880	€ 11.518	€ 11.999	€ 14.185	€ 14.803	€ 15.269	€ 15.990	€ 16.393	€ 16.946	€ 17.559	€ 18.179	€ 18.642	€ 21.129	€ 21.616	€ 22.232	€ 22.695	€ 23.306	€ 23.680	€ 24.235	€ 24.847	€ 1.630
	600 cm	€ 9.962	€ 10.596	€ 11.191	€ 11.838	€ 12.328	€ 14.617	€ 15.246	€ 15.723	€ 16.451	€ 16.864	€ 17.426	€ 18.050	€ 18.679	€ 19.153	€ 21.771	€ 22.245	€ 22.870	€ 23.344	€ 23.966	€ 24.346	€ 24.913	€ 25.535	€ 1.727
	650 cm	€ 10.240	€ 10.889	€ 11.491	€ 12.149	€ 12.651	€ 15.041	€ 15.680	€ 16.168	€ 16.906	€ 17.260	€ 17.829	€ 18.461	€ 19.092	€ 19.578	€ 22.384	€ 22.870	€ 23.428	€ 23.985	€ 24.618	€ 25.006	€ 25.581	€ 26.214	€ 1.827
	700 cm	€ 10.523	€ 11.179	€ 11.792	€ 12.462	€ 12.973	€ 15.468	€ 16.115	€ 16.615	€ 17.362	€ 17.721	€ 18.302	€ 18.944	€ 19.591	€ 20.080	€ 22.999	€ 23.492	€ 24.135	€ 24.629	€ 25.272	€ 25.665	€ 26.255	€ 26.893	€ 1.924
	750 cm	€ 10.803	€ 11.472	€ 12.094	€ 12.773	€ 13.295	€ 15.893	€ 16.551	€ 17.058	€ 17.820	€ 18.184	€ 18.774	€ 19.424	€ 20.080	€ 20.581	€ 23.612	€ 24.116	€ 24.770	€ 25.274	€ 25.924	€ 26.326	€ 26.923	€ 27.572	€ 2.021
	800 cm	€ 11.182	€ 11.867	€ 12.506	€ 13.198	€ 13.736	€ 16.463	€ 17.137	€ 17.657	€ 18.438	€ 18.813	€ 19.414	€ 20.082	€ 20.751	€ 21.269	€ 24.439	€ 24.958	€ 25.628	€ 26.146	€ 26.813	€ 27.227	€ 27.838	€ 28.503	€ 2.120
	850 cm	€ 13.175	€ 13.799	€ 14.588	€ 15.462	€ 16.095	€ 18.837	€ 19.455	€ 20.300	€ 21.070	€ 21.599	€ 22.302	€ 23.144	€ 23.992	€ 24.370	€ 27.790	€ 28.400	€ 29.013	€ 29.620	€ 30.462	€ 30.950	€ 31.706	€ 32.312	€ 2.219
	900 cm	€ 13.400	€ 14.031	€ 14.830	€ 15.713	€ 16.354	€ 19.174	€ 19.802	€ 20.654	€ 21.433	€ 21.968	€ 22.679	€ 23.528	€ 24.384	€ 24.768	€ 28.274	€ 28.893	€ 29.511	€ 30.130	€ 30.978	€ 31.470	€ 32.233	€ 32.848	€ 2.315
	950 cm	€ 13.622	€ 14.261	€ 15.067	€ 15.959	€ 16.608	€ 19.508	€ 20.141	€ 21.003	€ 21.791	€ 22.330	€ 23.049	€ 23.907	€ 24.773	€ 25.161	€ 28.753	€ 29.379	€ 30.006	€ 30.630	€ 31.486	€ 31.986	€ 32.757	€ 33.380	€ 2.414
1000 cm	€ 13.843	€ 14.490	€ 15.305	€ 16.206	€ 16.862	€ 19.843	€ 20.482	€ 21.351	€ 22.150	€ 22.693	€ 23.419	€ 24.284	€ 25.161	€ 25.556	€ 29.234	€ 29.867	€ 30.501	€ 31.130	€ 31.995	€ 32.501	€ 33.282	€ 33.911	€ 2.513	
1050 cm	€ 14.065	€ 14.721	€ 15.543	€ 16.451	€ 17.116	€ 20.179	€ 20.822	€ 21.698	€ 22.507	€ 23.056	€ 23.790	€ 24.663	€ 25.549	€ 25.949	€ 29.713	€ 30.353	€ 30.996	€ 31.631	€ 32.505	€ 33.018	€ 33.806	€ 34.444	€ 2.610	
1100 cm	€ 14.286	€ 14.949	€ 15.781	€ 16.697	€ 17.371	€ 20.513	€ 21.162	€ 22.046	€ 22.865	€ 23.419	€ 24.160	€ 25.041	€ 25.937	€ 26.344	€ 30.192	€ 30.841	€ 31.491	€ 32.131	€ 33.012	€ 33.534	€ 34.329	€ 34.974	€ 2.708	
1150 cm	€ 14.508	€ 15.180	€ 16.018	€ 16.942	€ 17.625	€ 20.847	€ 21.503	€ 22.395	€ 23.224	€ 23.782	€ 24.530	€ 25.419	€ 26.326	€ 26.737	€ 30.671	€ 31.327	€ 31.986	€ 32.632	€ 33.522	€ 34.051	€ 34.853	€ 35.507	€ 2.805	
1200 cm	€ 14.730	€ 15.409	€ 16.256	€ 17.189	€ 17.879	€ 21.181	€ 21.843	€ 22.743	€ 23.581	€ 24.144	€ 24.902	€ 25.797	€ 26.714	€ 27.132	€ 31.150	€ 31.815	€ 32.480	€ 33.134	€ 34.029	€ 34.567	€ 35.377	€ 36.040	€ 2.904	
G23	€ 136	€ 141	€ 156	€ 169	€ 184	€ 216	€ 213	€ 228	€ 241	€ 253	€ 327	€ 342	€ 354	€ 369	€ 386	€ 399	€ 411	€ 429	€ 441	€ 454	€ 470	€ 485		
FS5-A	€ 44	€ 56	€ 65	€ 75	€ 87	€ 96	€ 108	€ 117	€ 129	€ 139	€ 150	€ 160	€ 171	€ 181	€ 192	€ 202	€ 214	€ 223	€ 235	€ 244	€ 256	€ 266		
FS5-E	€ 61	€ 77	€ 90	€ 103	€ 119	€ 132	€ 148	€ 162	€ 178	€ 191	€ 207	€ 220	€ 236	€ 249	€ 265	€ 278	€ 294	€ 307	€ 323	€ 336	€ 352	€ 366		

G23	L1200 Gutter System (One side)
FS5-A	Additional Fabric Support Profile (Standard)
FS8	Lighting System
FS4-L1200 (R99)	Additional Rail- Al. - 75x120mm

FS8	
FS8-S	SPOT
FS8-L	LINEAR
FS8-LR	LINEAR (RGB)

LED TYPE & MODULE		
2 LED	3 LED	4 LED
€ 136	€ 165	€ 194
€ 194	€ 252	
€ 247	€ 320	

Notes:

- FS Flexy Plain/3D or Stam 6002 is included in the price.
- Motor and Remote control is included in the price.
- Palmye Aluminium Coating Catalogue includes the standard colours with no extra cost. For any other type/brand/color of paint, price difference and additional delivery duration shall be checked from your customer representative.
- Standard "Fabric support profile plastic colors" are specified in our Aluminium coating catalogue.

DEDUCTIONS

Price deduction is applicable only for back pillars and back beam. Deduction amount shall be consider as 70% of related option price.

OPTIONS

FS10	Extra pillar (100x100mm Al.)	€ 540	pcs
FS10-ST3	Extra pillar (100x100x3mm St.)	€ 671	pcs
FS10-ST5	Extra pillar (100x100x5mm St.)	€ 978	pcs
FS11	Deco ceiling cover	€ 75	m ²
FS15	Side beam pillar (50x100mm - Al)	€ 280	pcs
FS15-B	Side beam pillar (100x100mm - Al)	€ 540	pcs
FS15-L1200 (ALM-12)	Side beam pillar (65x120mm - Al) for L1200 series	€ 203	pcs
FS19	Fix louver	€ 74	lm
FS23	External Square Downpipe	€ 330	pcs
FS24	W96 Ceiling Cover	€ 86	m ²
FS26	Exclusive fabric difference (up to 800cm width)	€ 51	m ²
FS28-1	Stainless steel chain - 100 cm	€ 78	pcs
FS28-2	Stainless steel chain - 200 cm	€ 153	pcs
FS28-3	Stainless steel chain - 300 cm	€ 230	pcs
FS28-4	Stainless steel chain - 400 cm	€ 306	pcs
FS29-1	Sun Sensor (SUNIS) (for single motor)	€ 625	pcs
FS29-1S	Sun Sensor (SUNIS) (for synchronized motor)	€ 989	pcs
FS29-2	Wind Sensor (EOLIS RTS) (for single motor)	€ 292	pcs
FS29-2S	Wind Sensor (EOLIS RTS) (for synchronized motor)	€ 657	pcs
FS29-3	Sun and Wind Sensor (SOLIRIS RTS) (for single motor)	€ 331	pcs
FS29-3S	Sun and Wind Sensor (SOLIRIS RTS) (for synchronized motor)	€ 696	pcs
FS29-4 ^{2/3}	Rain Sensor (ONDEIS) (for single motor)	€ 574	pcs
FS29-4S ^{2/3}	Rain Sensor (ONDEIS) (for synchronized motor)	€ 939	pcs
FS30	CONNEXOON	€ 525	pcs
FS10-150ST5-H	Extra half pillar (150x150x5mm St.)	€ 210	pcs
FS10-150ST3	Extra pillar (150x150x3mm St.)	€ 1.252	pcs
FS10-150ST5	Extra pillar (150x150x5mm St.)	€ 1.751	pcs

EXTENSIONS

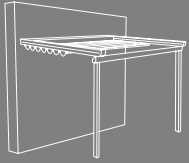
L1200 Rail - 75x120mm	€ 152	lm
Beam Profile (Al. 100x150mm)	€ 155	lm
Beam Profile (St. 100x150x3mm)	€ 320	lm
Beam Profile (St. 100x150x5mm)	€ 388	lm
Beam Profile (St. 100x200x3mm)	€ 325	lm
Beam Profile (St. 100x200x5mm)	€ 462	lm
Fabric protection cover (Al. - 63x___cm)	€ 60	m ²
L1200 Gutter	€ 64	lm

PRICE DIFFERENCE

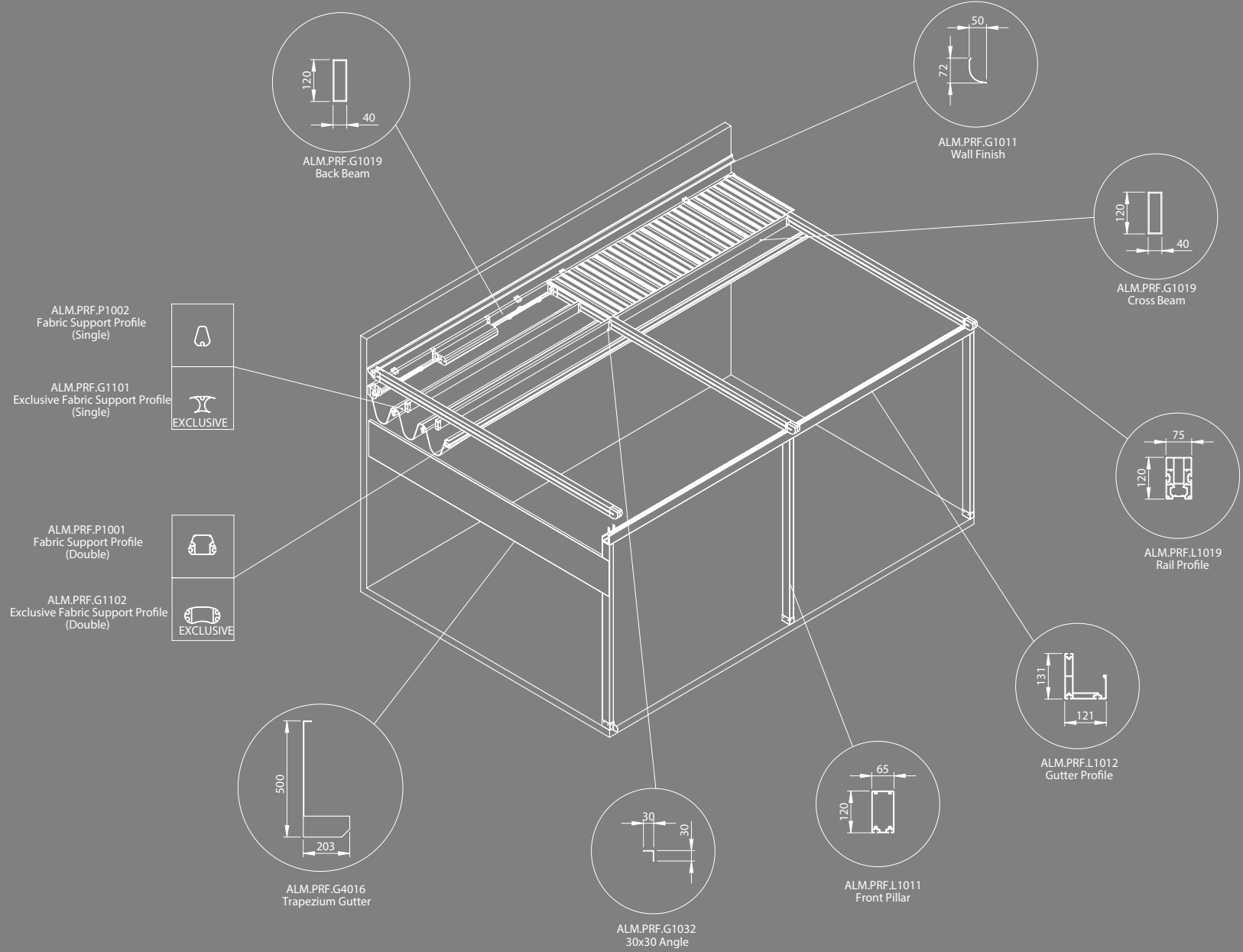
Pillar	PILLAR GROUP		
	Standard	St. 150x150x3mm	
	to	St. 150x150x5mm	€ 562 pcs

Notes:

1. Fabric support profiles can be painted in the same color as the general construction. No fee is paid for this process. However, the plastic color should be specified from our standard plastic colours in Palmiye Colour Chart.
2. For one product, a dry contact transmitter costing 370€, must be added.
3. Up to 5 products, a RS485 Automation interface dry contact transmitter costing 1126€, must be added.
4. In pergolas including steel front pillars, if gutter option is preferred, external water drainage points will be specified according to the Project and will be priced additionally.
5. The prices in the main table are for wall mounted products. This model also can be made as freestanding. For freestanding applications "FS10-150ST3" or "FS10-150ST5" pillar options and "St. 150x150x3mm" or "St. 150x150x5mm" back beam options should be added to the main prices.



STANDING SYSTEM WITH FRONT PILLAR 1200 SERIES



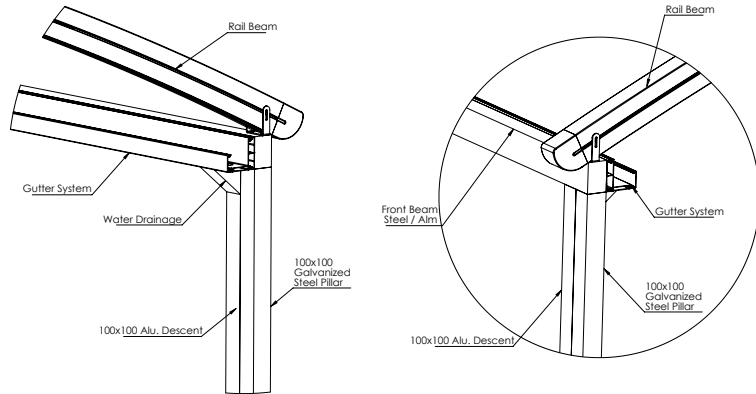
TECHNICAL DETAILS

WATER DRAIN&GUTTER CALCULATION

PRODUCT TYPE	MAX. M ²	USED PRODUCT TYPE
WATER DRAINAGE 45	34m ²	1200 Series Standard

*There should be at least one drainage, each 8 m length gutter.

APPLICATION FORM IN STEEL FRONT BEAM AND DEVICE



* In use of aluminum front pillar of 100*100 and front beam of 100*150 water drain, is applied from the available pillar. No external descent is applied.

BACK BEAM PROFILE TYPE (INCLUDED IN PERGOLA PRICE)

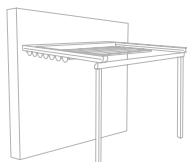
		PRODUCT WIDTH							
		FROM 200CM TO 800CM							
PROJECTION	200	E	E	E	E	E	E	E	E
	300	E	E	E	E	E	E	E	E
	400	E	E	E	E	E	E	E	E
	500	E	E	E	E	E	E	E	E
	600	E	E	E	E	E	E	E	E
	BACK BEAM	E	40*120 ALU						

* Utilization table of back beam is included in the list price.

FRONT PILLAR REDUCTION CONDITIONS

		OUT TO OUT PILLAR SIZE					
		450	500	600	700	750	800
PROJECTION	200	A	A	B	B	C	C
	300	A	A	B	B	C	C
	400	A	A	B	B	C	C
	500	A	A	B	B	C	C
	600	A	A	B	B	C	C
	F. PILLAR F. BEAM	A	100*100 ALU 100*150 ALU	B	100*100*3 G.S 100*150*3 G.S	C	100*100*5 G.S 100*200*5 G.S

- * The front pillar reduction use table should be additionally priced.
- * Ground mounting is performed with flange of 200*200*10 mm or ground anchor of standard 1200 series 65*120.
- * Application is made behind the gutter system.
- * Maximum height is 400 cm for aluminum front pillars.
- * Maximum height is 500 cm for steel front pillars.
- * If front pillar and beam is made of steel, water drain is given from empty aluminum box profile of 100*100.



STANDING SYSTEM WITH FRONT PILLAR 1200 SERIES

		WIDTH											
PROJECTION		2 RAIL				3 RAIL							
		250 cm	300 cm	350 cm	400 cm	450 cm	500 cm	550 cm	600 cm	650 cm	700 cm	750 cm	800 cm
	200 cm	€ 5.506	€ 5.819	€ 6.240	€ 6.670	€ 7.577	€ 7.893	€ 8.209	€ 8.525	€ 9.040	€ 9.322	€ 9.724	€ 10.037
250 cm	€ 5.802	€ 6.260	€ 6.687	€ 7.036	€ 7.977	€ 8.375	€ 8.834	€ 9.171	€ 9.590	€ 9.894	€ 10.318	€ 10.775	
300 cm	€ 6.265	€ 6.782	€ 7.266	€ 7.674	€ 8.733	€ 9.189	€ 9.706	€ 10.101	€ 10.576	€ 10.931	€ 11.415	€ 11.926	
350 cm	€ 6.692	€ 7.108	€ 7.615	€ 8.169	€ 9.322	€ 9.800	€ 10.221	€ 10.756	€ 11.256	€ 11.632	€ 12.137	€ 12.674	
400 cm	€ 6.997	€ 7.437	€ 7.966	€ 8.542	€ 9.791	€ 10.293	€ 10.736	€ 11.297	€ 11.817	€ 12.214	€ 12.744	€ 13.301	
450 cm	€ 7.308	€ 7.770	€ 8.325	€ 8.925	€ 10.270	€ 10.795	€ 11.262	€ 11.845	€ 12.387	€ 12.807	€ 13.358	€ 13.939	
500 cm	€ 7.615	€ 8.101	€ 8.678	€ 9.302	€ 10.747	€ 11.293	€ 11.780	€ 12.385	€ 12.954	€ 13.393	€ 13.967	€ 14.572	
550 cm	€ 8.088	€ 8.754	€ 9.388	€ 10.070	€ 11.635	€ 12.238	€ 12.902	€ 13.445	€ 14.190	€ 14.682	€ 15.311	€ 15.973	
600 cm	€ 8.402	€ 9.092	€ 9.752	€ 10.455	€ 12.117	€ 12.744	€ 13.432	€ 13.998	€ 14.765	€ 15.278	€ 15.931	€ 16.615	
FS5-A	€ 44	€ 56	€ 65	€ 75	€ 87	€ 96	€ 108	€ 117	€ 129	€ 139	€ 150	€ 160	
FS5-E	€ 61	€ 77	€ 90	€ 103	€ 119	€ 132	€ 148	€ 162	€ 178	€ 191	€ 207	€ 220	

FS4-L1200 (R99) FS10-L1200 (ALM-08)	FS9-L1200 (Y66)	FS9	FS21-L1200 (TG23)
€ 1.146	€ 205	€ 242	€ 291
€ 1.245	€ 246	€ 292	€ 363
€ 1.343	€ 288	€ 343	€ 436
€ 1.440	€ 330	€ 393	€ 509
€ 1.539	€ 374	€ 443	€ 583
€ 1.636	€ 416	€ 493	€ 654
€ 1.736	€ 458	€ 543	€ 727
€ 1.833	€ 500	€ 593	€ 801
€ 1.930	€ 542	€ 643	€ 872

FS5-A	Additional Fabric Support Profile (Standard)
FS4-L1200 (R99) FS10-L1200 (ALM-08)	Additional Rail for L1200 Series - Al. - 75x120mm Additional Pillar for L1200 Series - Al. 65x120mm
FS8	Lighting System
FS9-L1200 (Y66)	Side Beam for L1200 Series- Al. - 65x120mm
FS9	Side Beam- Al. - 50x150mm
FS21-L1200 (TG23)	Trapezium Gutter

FS8	
FS8-S	SPOT
FS8-L	LINEAR
FS8-LR	LINEAR (RGB)

LED TYPE & MODULE		
2 LED	3 LED	4 LED
€ 136	€ 165	€ 194
€ 194	€ 252	
€ 247	€ 320	

Notes:

- If additional rail is required, it is also necessary to use a corresponding front pillar. Both parts are included in the price of option FS4-1200+FS10-1200(ALM-08).
- Any Side Beam is not included in the price.
- FS21-L1200 (TG23) Trapezium Gutter is an optional.
- FS Flexy Plain/3D or Stam 6002 Trapezium ceiling cover, Motor and Remote control are included in the price.
- Palmiye Aluminium Coating Catalogue includes the standard colours with no extra cost. For any other type/brand/color of paint, price difference and additional delivery duration shall be checked from your customer representative.
- Standard "Fabric support profile plastic colors" are specified in our Aluminium coating catalogue.
- Trapezium ceiling cover is included in the price.

DEDUCTIONS

Price deduction is applicable only for pillars and beam. Deduction amount shall be consider as 70% of related option price.

OPTIONS

FS10-L1200 (ALM-08)	Extra pillar (65x120mm Al.) for L1200 series	€ 203	pcs
FS10	Extra pillar (100x100mm Al.)	€ 540	pcs
FS10-ST3	Extra pillar (100x100x3mm St.)	€ 671	pcs
FS10-ST5	Extra pillar (100x100x5mm St.)	€ 978	pcs
FS11	Deco ceiling cover	€ 75	m ²
FS13-A	Wavy ceiling cover (for flexy fabric) (up to 350 cm width)	€ 38	m ²
FS15	Side beam pillar (50x100mm - Al)	€ 280	pcs
FS15-B	Side beam pillar (100x100mm - Al)	€ 540	pcs
FS15-L1200 (ALM-12)	Side beam pillar (65x120mm - Al) for L1200 series	€ 203	pcs
FS19	Fix louver	€ 74	lm
FS24	W96 Ceiling Cover	€ 86	m ²
FS29-1	Sun Sensor (SUNIS) (for single motor)	€ 625	pcs
FS29-1S	Sun Sensor (SUNIS) (for synchronized motor)	€ 989	pcs
FS29-2	Wind Sensor (EOLIS RTS) (for single motor)	€ 292	pcs
FS29-2S	Wind Sensor (EOLIS RTS) (for synchronized motor)	€ 657	pcs
FS29-3	Sun and Wind Sensor (SOLIRIS RTS) (for single motor)	€ 331	pcs
FS29-3S	Sun and Wind Sensor (SOLIRIS RTS) (for synchronized motor)	€ 696	pcs
FS29-4	Rain Sensor (ONDEIS) (for single motor)	€ 574	pcs
FS29-4S	Rain Sensor (ONDEIS) (for synchronized motor)	€ 939	pcs
FS30	CONNEXOON	€ 525	pcs

EXTENSIONS

L1200 Rail - 75x120mm	€ 152	lm
Beam Profile (Al. 40x120mm)	€ 67	lm
Beam Profile (Al. 42x150mm)	€ 105	lm
Beam Profile (Al. 50x150mm)	€ 186	lm
Beam Profile (Al. 100x150mm)	€ 155	lm
Beam Profile (St. 100x150x3mm)	€ 320	lm
Beam Profile (St. 100x150x5mm)	€ 388	lm
Beam Profile (St. 100x200x3mm)	€ 325	lm
Beam Profile (St. 100x200x5mm)	€ 462	lm
Fabric protection cover (Al. - 63x__cm)	€ 60	m ²
L1200 Gutter	€ 64	lm

*Max. Al. Front pillar (Al. 65x120mm) height is 280cm

*Max. St 3mm. Front pillar (St. 100x100x3mm) height is 380cm

*Max. St. 5mm Front pillar (St. 100x100x5mm) height is 480cm

PRICE DIFFERENCE

BEAM GROUP

	Standard	Al. 40x120mm		
Back Beam	to	Al. 80x80mm	€ 197	pcs
		Al. 100x100mm	€ 342	pcs
		St. 100x100x3mm	€ 416	pcs
		St. 100x100x5mm	€ 729	pcs
		St. 150x150x3mm	€ 1.008	pcs
		St. 150x150x5mm	€ 1.516	pcs

	Standard	Al. 65x120mm		
Front Pillar	to	St. 100x100x3mm	€ 117	pcs
		St. 100x100x5mm	€ 479	pcs
		St. 150x150x3mm	€ 731	pcs
		St. 150x150x5mm	€ 1.294	pcs

Notes:

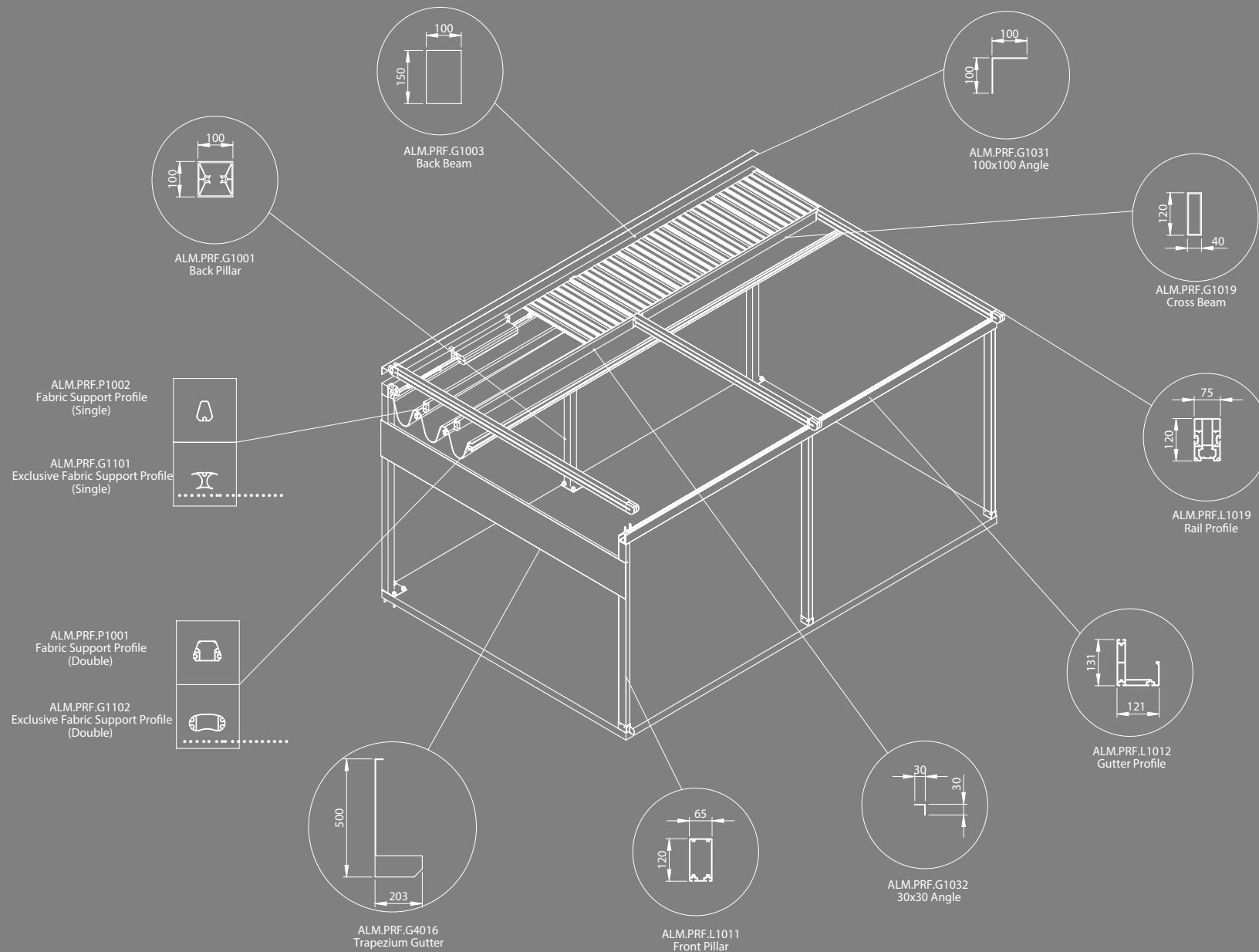
1. Fabric support profiles can be painted in the same color as the general construction. No fee is paid for this process. However, the plastic color should be specified from our standard plastic colours in Palmiye Colour Chart.

2. For one product, a dry contact transmitter costing 370€, must be added.

3. Up to 5 products, a RS485 Automation interface dry contact transmitter costing 1126€, must be added.



STANDING SYSTEM WITH FRONT AND BACK PILLAR 1200 SERIES



Freestanding products must have flanges on the pillars.

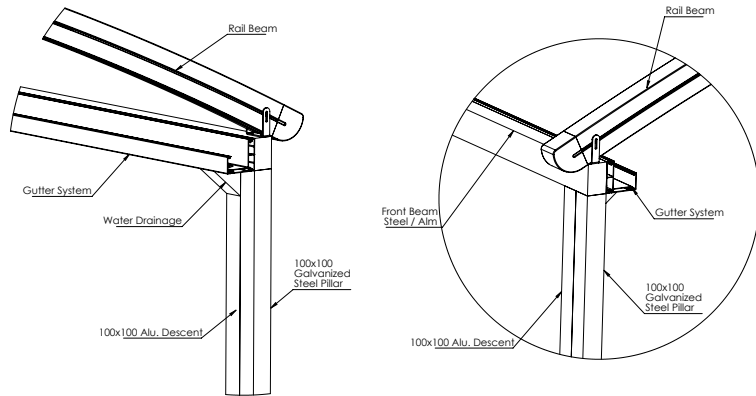
TECHNICAL DETAILS

WATER DRAIN&GUTTER CALCULATION

PRODUCT TYPE	MAX. M ²	USED PRODUCT TYPE
WATER DRAINAGE 45	34m ²	1200 Series Standard

*There should be at least one drainage, each 8 m length gutter.

APPLICATION FORM IN STEEL FRONT BEAM AND DEVICE



* In use of aluminum front pillar of 100*100 and front beam of 100*150 water drain, is applied from the available pillar. No external descent is applied.

USE OF BACK PILLAR AND BACK BEAM (STANDARD)

PROJECTION	PRODUCT WIDTH							
	450	500	550	600	650	700	750	800
400	A	A	A	A	A	A	A	A
450	A	A	A	A	A	A	A	A
500	A	A	A	A	A	A	A	A
550	A	A	A	A	A	A	A	A
600	A	A	A	A	A	A	A	A
GROUND FLANGE BACK PILLAR BACK BEAM			A	200*200*10 FLANGE ALU 100*100 ALU 100*150 ALU				

* Utilization table of back beam and back pillar is included in the list price.

TERMS OF USE OF FRONT PILLAR AND BEAM

PROJECTION	OUT TO OUT PILLAR SIZE					
	450	550	600	650	700	
400	A	A	B	B	C	
500	A	A	B	B	C	
600	A	A	B	C	C	
F. PILLAR F. BEAM	A	100*100 ALU 100*150 ALU	B	100*100*3 G.S 100*150*3 G.S	C	100*100*5 G.S 100*200*5 G.S

- * Use of front pillar and beam should be additionally priced.
- * Ground mounting of the pillar is performed with flange of 200*200*10 mm or ground anchor.
- * Application is made behind the gutter system.
- * Maximum height is 4m for aluminum front pillars and 5m for steel front pillars.
- * If front pillar and beam is made of steel, water drain is given from empty aluminum box profile of 100*100.

TERMS OF USE OF BACK PILLAR AND BACK BEAM

PROJECTION	OUT TO OUT PILLAR SIZE							
	450	500	550	600	700	750	800	
400	A	A	A	B	B	C	C	
500	A	A	B	B	B	C	C	
600	A	B	B	B	B	C	C	
BACK PILLAR BACK BEAM	A	100*100 ALU 100*150 ALU	B	100*100*3 G.S 100*150*3 G.S	C	100*100*5 G.S 100*200*5 G.S		

- * Use of back pillar and beam should be additionally priced.
- * Floor mounting of the pillar is performed with flange of 200*200*10 mm or ground anchor.
- * Maximum height is 4m for aluminum back pillars and 5m for steel back pillars.



STANDING SYSTEM WITH FRONT AND BACK PILLAR 1200 SERIES

		WIDTH														
		2 RAIL				3 RAIL								FS4-L1200 (R99) FS10-L1200 (ALM-08)	FS9-PD	FS21-L1200 (TG23)
		250 cm	300 cm	350 cm	400 cm	450 cm	500 cm	550 cm	600 cm	650 cm	700 cm	750 cm	800 cm			
PROJECTION	200 cm	€ 6.121	€ 6.448	€ 6.882	€ 7.324	€ 8.553	€ 8.886	€ 9.218	€ 9.551	€ 10.074	€ 10.373	€ 10.787	€ 11.118	€ 1.146	€ 205	€ 291
	250 cm	€ 6.409	€ 6.877	€ 7.318	€ 7.681	€ 8.942	€ 9.354	€ 9.826	€ 10.178	€ 10.609	€ 10.928	€ 11.366	€ 11.834	€ 1.245	€ 246	€ 363
	300 cm	€ 6.857	€ 7.384	€ 7.880	€ 8.300	€ 9.681	€ 10.147	€ 10.673	€ 11.080	€ 11.566	€ 11.936	€ 12.430	€ 12.951	€ 1.343	€ 288	€ 436
	350 cm	€ 7.274	€ 7.701	€ 8.219	€ 8.780	€ 10.249	€ 10.739	€ 11.171	€ 11.718	€ 12.228	€ 12.617	€ 13.132	€ 13.679	€ 1.440	€ 330	€ 509
	400 cm	€ 7.569	€ 8.021	€ 8.560	€ 9.145	€ 10.709	€ 11.220	€ 11.674	€ 12.242	€ 12.773	€ 13.184	€ 13.722	€ 14.288	€ 1.539	€ 374	€ 583
	450 cm	€ 7.872	€ 8.346	€ 8.909	€ 9.515	€ 11.171	€ 11.706	€ 12.185	€ 12.775	€ 13.329	€ 13.759	€ 14.320	€ 14.908	€ 1.636	€ 416	€ 654
	500 cm	€ 8.171	€ 8.666	€ 9.252	€ 9.881	€ 11.634	€ 12.190	€ 12.689	€ 13.302	€ 13.879	€ 14.329	€ 14.912	€ 15.523	€ 1.736	€ 458	€ 727
550 cm	€ 8.630	€ 9.302	€ 9.942	€ 10.630	€ 12.498	€ 13.109	€ 13.779	€ 14.331	€ 15.080	€ 15.582	€ 16.218	€ 16.885	€ 1.833	€ 500	€ 801	
600 cm	€ 8.936	€ 9.631	€ 10.296	€ 11.003	€ 12.966	€ 13.600	€ 14.294	€ 14.869	€ 15.638	€ 16.161	€ 16.821	€ 17.509	€ 1.930	€ 542	€ 872	

FS5-A	€ 44	€ 56	€ 65	€ 75	€ 87	€ 96	€ 108	€ 117	€ 129	€ 139	€ 150	€ 160
FS5-E	€ 61	€ 77	€ 90	€ 103	€ 119	€ 132	€ 148	€ 162	€ 178	€ 191	€ 207	€ 220

FS5-A	Additional Fabric Support Profile (Standard)
FS4-L1200 (R99) FS10-L1200 (ALM-08)	Additional Rail for L1200 Series - Al. - 75x120mm Additional Pillar for L1200 Series - Al. 65x120mm
FS8	Lighting System
FS9-PD	From FS9-L1200 (Y66) to FS9
FS21-L1200 (TG23)	Trapezium Gutter

FS8	
FS8-S	SPOT
FS8-L	LINEAR
FS8-LR	LINEAR (RGB)

LED TYPE & MODULE		
2 LED	3 LED	4 LED
€ 136	€ 165	€ 194
€ 194	€ 252	
€ 247	€ 320	

Notes:

1. If additional rail is required, it is also necessary to use a corresponding front pillar. Both parts are included in the price of option FS4-1200+FS10-1200(ALM-08).
2. Any Side Beam is not included in the price.
3. FS21-L1200 (TG23) Trapezium Gutter is an optional.
4. FS Flexy Plain/3D or Stam 6002 Trapezium ceiling cover, Motor and Remote control are included in the price.
5. Palmiye Aluminium Coating Catalogue includes the standard colours with no extra cost. For any other type/brand/color of paint, price difference and additional delivery duration shall be checked from your customer representative.
6. Standard "Fabric support profile plastic colors" are specified in our Aluminium coating catalogue.
7. Trapezium ceiling cover is included in the price.

DEDUCTIONS

Price deduction is applicable only for pillars and beam. Deduction amount shall be consider as 70% of related option price.

OPTIONS

FS10-L1200 (ALM-08)	Extra pillar (65x120mm Al.) for L1200 series	€ 203	pcs
FS10	Extra pillar (100x100mm Al.)	€ 540	pcs
FS10-ST3	Extra pillar (100x100x3mm St.)	€ 671	pcs
FS10-ST5	Extra pillar (100x100x5mm St.)	€ 978	pcs
FS11	Deco ceiling cover	€ 75	m ²
FS15	Side beam pillar (50x100mm - Al)	€ 280	pcs
FS15-B	Side beam pillar (100x100mm - Al)	€ 540	pcs
FS15-L1200 (ALM-12)	Side beam pillar (65x120mm - Al) for L1200 series	€ 203	pcs
FS19	Fix louver	€ 74	lm
FS23	External Square Downpipe	€ 330	pcs
FS24	W96 Ceiling Cover	€ 86	m ²
FS29-1	Sun Sensor (SUNIS) (for single motor)	€ 625	pcs
FS29-1S	Sun Sensor (SUNIS) (for synchronized motor)	€ 989	pcs
FS29-2	Wind Sensor (EOLIS RTS) (for single motor)	€ 292	pcs
FS29-2S	Wind Sensor (EOLIS RTS) (for synchronized motor)	€ 657	pcs
FS29-3	Sun and Wind Sensor (SOLIRIS RTS) (for single motor)	€ 331	pcs
FS29-3S	Sun and Wind Sensor (SOLIRIS RTS) (for synchronized motor)	€ 696	pcs
FS29-4 ^{2/3}	Rain Sensor (ONDEIS) (for single motor)	€ 574	pcs
FS29-4S ^{2/3}	Rain Sensor (ONDEIS) (for synchronized motor)	€ 939	pcs
FS30	CONNEXOON	€ 525	pcs

EXTENSIONS

L1200 Rail - 75x120mm	€ 152	lm
Beam Profile (Al. 100x150mm)	€ 155	lm
Beam Profile (St. 100x150x3mm)	€ 320	lm
Beam Profile (St. 100x150x5mm)	€ 388	lm
Beam Profile (St. 100x200x3mm)	€ 325	lm
Beam Profile (St. 100x200x5mm)	€ 462	lm
Fabric protection cover (Al. - 63x___cm)	€ 60	m ²
L1200 Gutter	€ 64	lm

*Max. Al. Front pillar (Al. 65x120mm) height is 280cm

*Max. St 3mm. Front pillar (St. 100x100x3mm) height is 380cm

*Max. St. 5mm Front pillar (St. 100x100x5mm) height is 480cm

PRICE DIFFERENCE

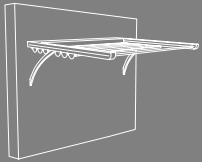
		BEAM GROUP	
		Standard	Al. 100x150mm
Back Beam	to	St. 100x150x3mm	€ 160 lm
		St. 100x150x5mm	€ 238 lm
		St. 100x200x3mm	€ 165 lm
		St. 100x200x5mm	€ 311 lm

		PILLAR GROUP	
		Standard	Al. 65x120mm
Front Pillar	to	Al. 80x80mm	€ 197 pcs
		Al. 100x100mm	€ 219 pcs
		St. 100x100x3mm	€ 205 pcs
		St. 100x100x5mm	€ 359 pcs
		St. 150x150x3mm	€ 496 pcs
		St. 150x150x5mm	€ 746 pcs

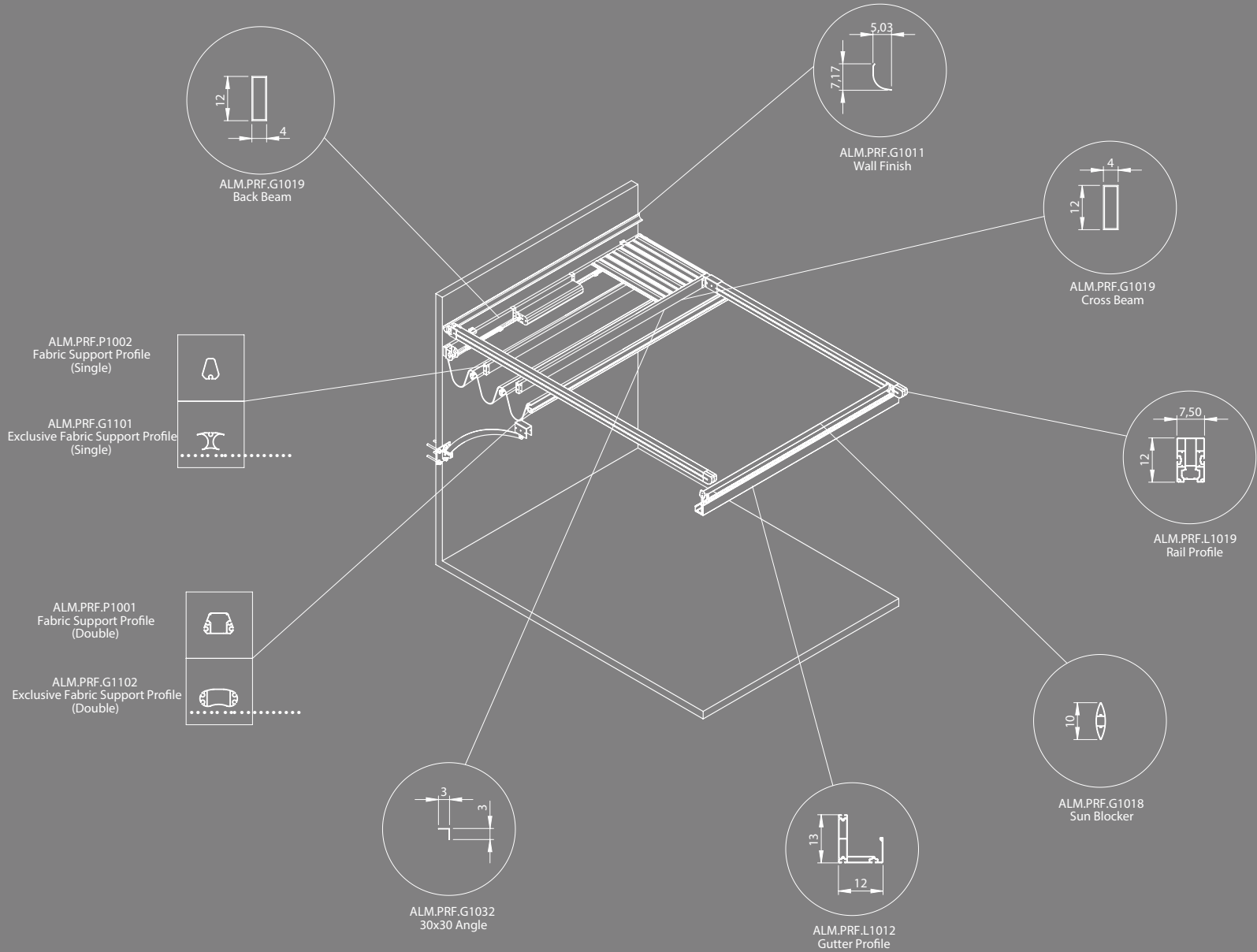
		Standard	Al. 100x100mm
Back Pillar	to	St. 100x100x3mm	€ 117 pcs
		St. 100x100x5mm	€ 479 pcs
		St. 150x150x3mm	€ 731 pcs
		St. 150x150x5mm	€ 1.294 pcs

Notes:

1. Fabric support profiles can be painted in the same color as the general construction. No fee is paid for this process. However, the plastic color should be specified from our standard plastic colours in Palmiye Color Chart.
2. For one product, a dry contact transmitter costing 370€, must be added.
3. Up to 5 products, a RS485 Automation interface dry contact transmitter costing 1126€, must be added.
4. In pergolas including steel front pillars, if gutter option is preferred, external water drainage points will be specified according to the Project and will be priced additionally.



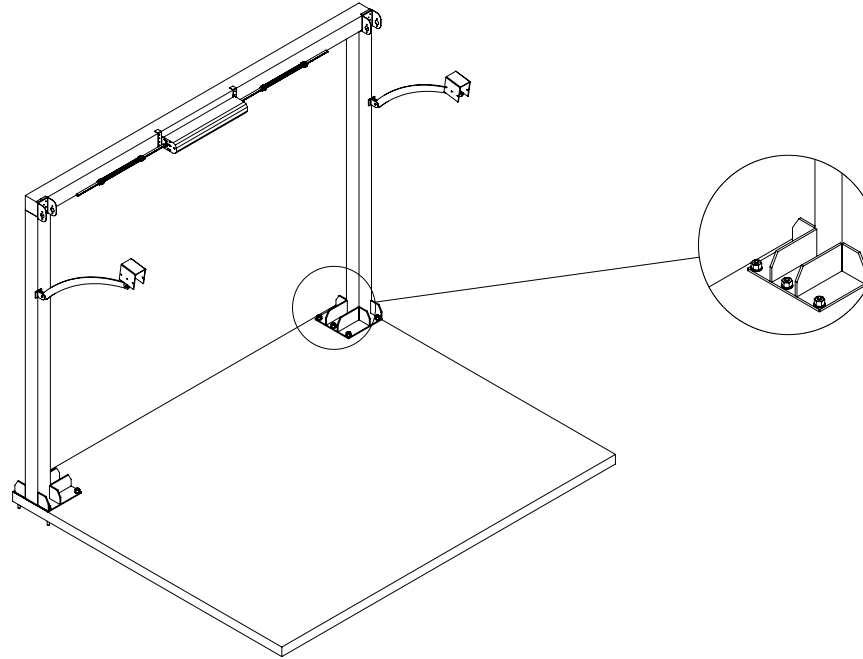
BRACKET SYSTEM 1200 SERIES



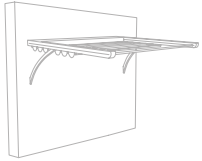
WATER DRAIN&GUTTER CALCULATION

PRODUCT TYPE	MAX. M ²	USED PRODUCT TYPE
WATER DRAINAGE 45	34m ²	1200 Series Standard

*There should be at least one drainage, each 8 m length gutter.



- * Distance between two pillars depends on the system width.
- * For the systems with 2 units next to each other, one of the pillars in the middle will be removed.
- * Strut support apparatus is used under each rail.
- * Pillar and beam are used as 150*150*3mm in standard.



BRACKET SYSTEM 1200 SERIES

WIDTH		2 RAIL			
		250 cm	300 cm	350 cm	400 cm
PROJECTION	200 cm	€ 5.454	€ 5.765	€ 6.184	€ 6.602
	250 cm	€ 5.740	€ 6.196	€ 6.620	€ 7.045
	300 cm	€ 6.192	€ 6.705	€ 7.186	€ 7.667
	350 cm	€ 6.609	€ 7.022	€ 7.524	€ 8.028
	400 cm	€ 6.902	€ 7.338	€ 7.865	€ 8.391
G23		€ 136	€ 141	€ 156	€ 169
FS5-A		€ 44	€ 56	€ 65	€ 75
FS5-E		€ 61	€ 77	€ 90	€ 103

FS5-A	Additional Fabric Support Profile (Standard)
FS8	Lighting System

FS8	
FS8-S	SPOT
FS8-L	LINEAR
FS8-LR	LINEAR (RGB)

LED TYPE & MODULE		
2 LED	3 LED	4 LED
€ 136	€ 165	€ 194
€ 194	€ 252	
€ 247	€ 320	

Notes:

1. Modules can not be combined.
2. Side beam and trapezium gutter are not applicable.
3. FS Flexy Plain/3D or Stam 6002 Trapezium ceiling cover, Motor and Remote control are included in the price.
4. Palmiye Aluminium Coating Catalogue includes the standard colours with no extra cost. For any other type/brand/color of paint, price difference and additional delivery duration shall be checked from your customer representative.
5. Standard "Fabric support profile plastic colors" are specified in our Aluminium coating catalogue.
6. This product includes a sun braker profile in the front to connect the rails.
7. Trapezium ceiling cover is included in the price.

OPTIONS

FS10-L1200 (ALM-08)	Extra pillar (65x120mm Al.) for L1200 series	€ 203	pcs
FS10	Extra pillar (100x100mm Al.)	€ 540	pcs
FS10-ST3	Extra pillar (100x100x3mm St.)	€ 671	pcs
FS10-ST5	Extra pillar (100x100x5mm St.)	€ 978	pcs
FS11	Deco ceiling cover	€ 75	m ²
FS13-A	Wavy ceiling cover (for flexy fabric) (up to 350 cm width)	€ 38	m ²
FS19	Fix louver	€ 74	lm
FS24	W96 Ceiling Cover	€ 86	m ²
FS28-1	Stainless steel chain - 100 cm	€ 78	1m
FS28-2	Stainless steel chain - 200 cm	€ 153	2m
FS28-3	Stainless steel chain - 300 cm	€ 230	3m
FS28-4	Stainless steel chain - 400 cm	€ 306	4m
FS29-1	Sun Sensor (SUNIS) (for single motor)	€ 625	pcs
FS29-2	Wind Sensor (EOLIS RTS) (for single motor)	€ 292	pcs
FS29 ³	Sun and Wind Sensor (SOLIRIS RTS) (for single motor)	€ 331	pcs
FS29-4	Rain Sensor (ONDEIS) (for single motor)	€ 574	pcs
FS30	CONNEXOON	€ 525	pcs

EXTENSIONS

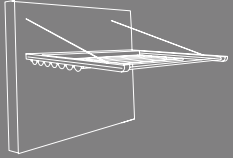
L1200 Rail - 75x120mm	€ 152	lm
Beam Profile (Al. 40x120mm)	€ 67	lm
Beam Profile (Al. 42x150mm)	€ 105	lm
Beam Profile (Al. 50x150mm)	€ 186	lm
Beam Profile (Al. 100x150mm)	€ 155	lm
Beam Profile (St. 100x150x3mm)	€ 320	lm
Beam Profile (St. 100x150x5mm)	€ 388	lm
Beam Profile (St. 100x200x3mm)	€ 325	lm
Beam Profile (St. 100x200x5mm)	€ 462	lm
Fabric protection cover (Al. - 63x__cm)	€ 60	m ²
L1200 Gutter	€ 64	lm

PRICE DIFFERENCE

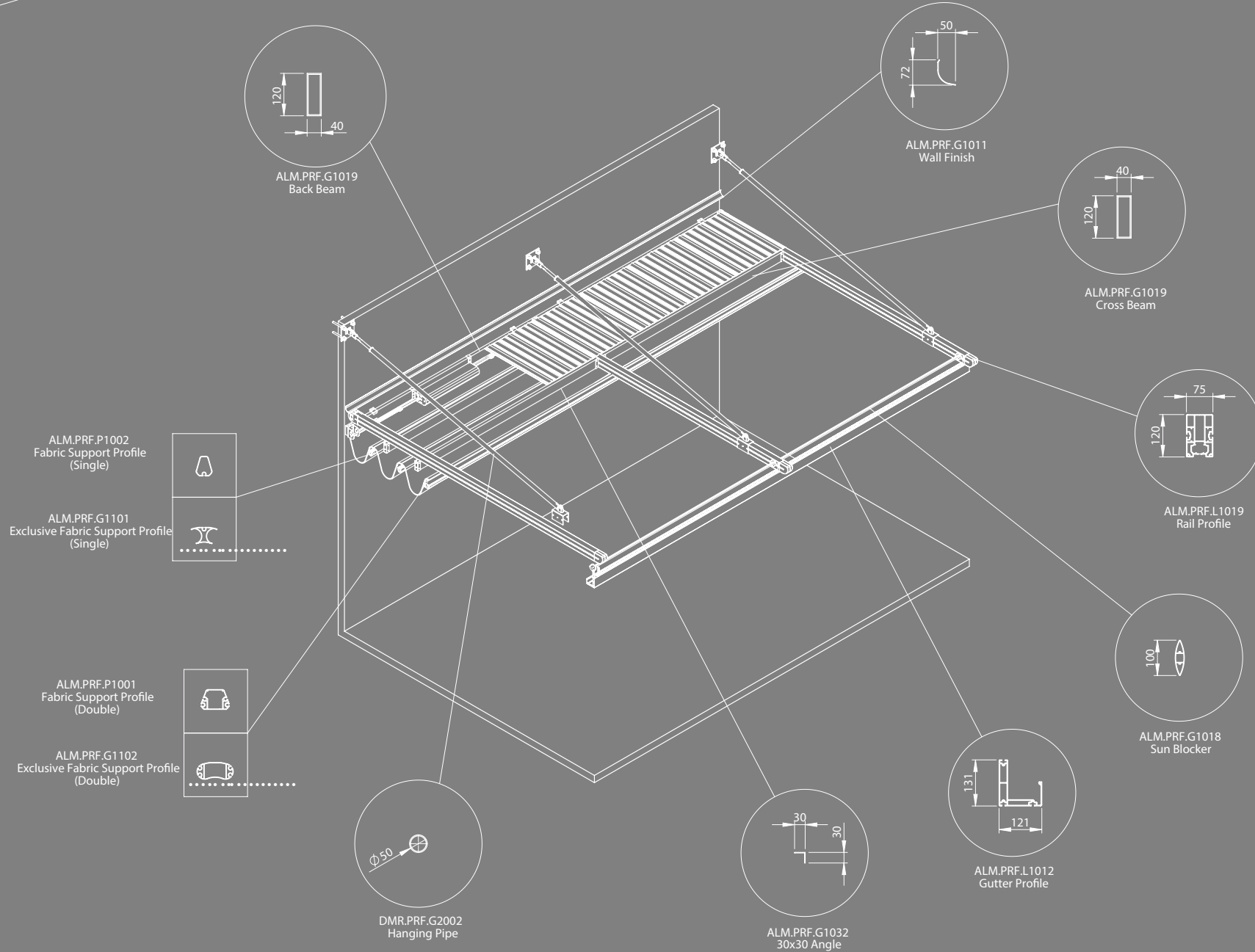
		BEAM GROUP	
Standard	Al. 40x120mm		
Back Beam	to	Al. 42x150mm	€ 40 lm
		Al. 50x150mm	€ 122 lm
		Al. 80x130mm	€ 31 lm
		St. 50x150x3mm	€ 156 lm
		St. 50x150x5mm	€ 244 lm
		Al. 100x150mm	€ 89 lm
		St. 100x150x3mm	€ 262 lm
		St. 100x150x5mm	€ 336 lm
		St. 100x200x3mm	€ 266 lm
		St. 100x200x5mm	€ 410 lm

Notes:

1. Fabric support profiles can be painted in the same color as the general construction. No fee is paid for this process. However, the plastic color should be specified from our standard plastic colours in Palmiye Colour Chart.
2. For one product, a dry contact transmitter costing 370€, must be added.
3. Up to 5 products, a RS485 Automation interface dry contact transmitter costing 1126€, must be added.
4. The prices in the main table are for wall mounted products. This model also can be made as freestanding. For freestanding applications "FS10-150ST3" or "FS10-150ST5" pillar options and "St. 150x150x3mm" or "St. 150x150x5mm" back beam options should be added to the main prices.



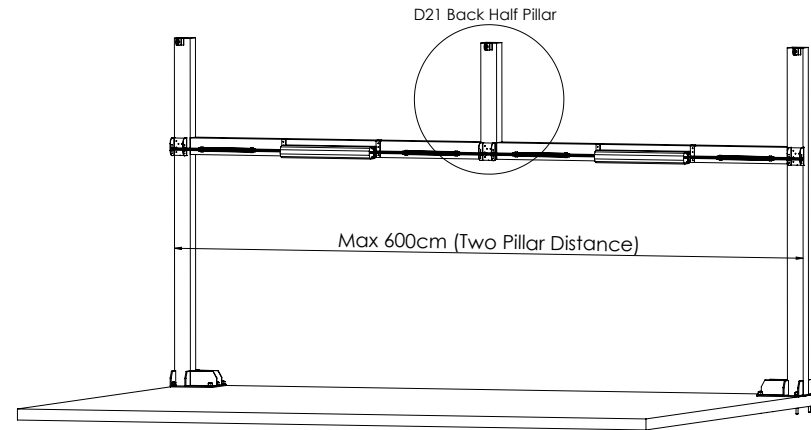
HANGING SYSTEM 1200 SERIES



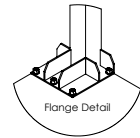
WATER DRAIN&GUTTER CALCULATION

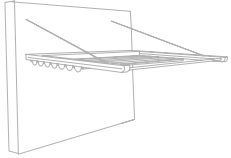
PRODUCT TYPE	MAX. M ²	USED PRODUCT TYPE
WATER DRAINAGE 45	34m ²	1200 Series Standard

*There should be at least one drainage, each 8 m length gutter.



- This model includes 3m steel back beam and pillars.
- The front beam can not be produced in steel.
- Ground flanges are 380x380x15 mm.
- When pillar reduction is applied, Extra half pillar (150x150x5mm St.) must be installed at the back of each rail shaft, and all steel pillars should be 150x150x5 mm.
- In condition of adding an additional rail, a steel 150x150x3m back pillar should also be added.





HANGING SYSTEM 1200 SERIES

		WIDTH												
		2 RAIL				3 RAIL								
		250 cm	300 cm	350 cm	400 cm	450 cm	500 cm	550 cm	600 cm	650 cm	700 cm	750 cm	800 cm	FS4-L1200 (R99)
PROJECTION	200 cm	€ 5.479	€ 5.792	€ 6.210	€ 6.641	€ 7.546	€ 7.862	€ 8.176	€ 8.493	€ 9.007	€ 9.288	€ 9.688	€ 10.001	€ 943
	250 cm	€ 5.765	€ 6.223	€ 6.650	€ 6.997	€ 7.935	€ 8.332	€ 8.791	€ 9.125	€ 9.545	€ 9.847	€ 10.271	€ 10.725	€ 1.042
	300 cm	€ 6.219	€ 6.736	€ 7.218	€ 7.624	€ 8.685	€ 9.138	€ 9.651	€ 10.044	€ 10.519	€ 10.871	€ 11.352	€ 11.863	€ 1.140
	350 cm	€ 6.637	€ 7.052	€ 7.558	€ 8.108	€ 9.260	€ 9.736	€ 10.155	€ 10.689	€ 11.188	€ 11.559	€ 12.063	€ 12.598	€ 1.237
	400 cm	€ 6.932	€ 7.370	€ 7.899	€ 8.471	€ 9.720	€ 10.219	€ 10.659	€ 11.216	€ 11.736	€ 12.131	€ 12.657	€ 13.212	€ 1.336
	450 cm	€ 7.234	€ 7.695	€ 8.246	€ 8.843	€ 10.188	€ 10.709	€ 11.171	€ 11.750	€ 12.294	€ 12.710	€ 13.259	€ 13.836	€ 1.433
	500 cm	€ 7.533	€ 8.015	€ 8.589	€ 9.209	€ 10.651	€ 11.195	€ 11.679	€ 12.281	€ 12.848	€ 13.282	€ 13.854	€ 14.454	€ 1.533
	600 cm	€ 7.831	€ 8.337	€ 8.934	€ 9.576	€ 11.116	€ 11.681	€ 12.185	€ 12.810	€ 13.402	€ 13.856	€ 14.451	€ 15.073	€ 1.630
		€ 8.128	€ 8.657	€ 9.277	€ 9.942	€ 11.581	€ 12.167	€ 12.692	€ 13.339	€ 13.956	€ 14.429	€ 15.046	€ 15.691	€ 1.727

G23	€ 136	€ 141	€ 156	€ 169	€ 184	€ 216	€ 213	€ 228	€ 241	€ 253	€ 327	€ 342
FS5-A	€ 44	€ 56	€ 65	€ 75	€ 87	€ 96	€ 108	€ 117	€ 129	€ 139	€ 150	€ 160
FS5-E	€ 61	€ 77	€ 90	€ 103	€ 119	€ 132	€ 148	€ 162	€ 178	€ 191	€ 207	€ 220

FS5-A	Additional Fabric Support Profile (Standard)
FS8	Lighting System
FS4-L1200 (R99)	Additional Rail - Al. - 75x120mm

FS8	
FS8-S	SPOT
FS8-L	LINEAR
FS8-LR	LINEAR (RGB)

LED TYPE & MODULE		
2 LED	3 LED	4 LED
€ 136	€ 165	€ 194
€ 194	€ 252	
€ 247	€ 320	

Notes:

1. FS Flexy Plain/3D or Stam 6002 Trapezium ceiling cover, Motor and Remote control are included in the price.
2. Palmiye Aluminium Coating Catalogue includes the standard colours with no extra cost. For any other type/brand/color of paint, price difference and additional delivery duration shall be checked from your customer representative.
3. Standard "Fabric support profile plastic colors" are specified in our Aluminium coating catalogue.
4. This product includes a sun braker profile in the front to connect the rails.
5. Trapezium ceiling cover is included in the price.

OPTIONS

FS10	Extra pillar (100x100mm Al.)	€ 540	pcs
FS10-ST3	Extra pillar (100x100x3mm St.)	€ 671	pcs
FS10-ST5	Extra pillar (100x100x5mm St.)	€ 978	pcs
FS11	Deco ceiling cover	€ 75	m ²
FS19	Fix louver	€ 74	lm
FS23	External Square Downpipe	€ 330	pcs
FS24	W96 Ceiling Cover	€ 86	m ²
FS28-1	Stainless steel chain - 100 cm	€ 78	pcs
FS28-2	Stainless steel chain - 200 cm	€ 153	pcs
FS28-3	Stainless steel chain - 300 cm	€ 230	pcs
FS28-4	Stainless steel chain - 400 cm	€ 306	pcs
FS29-1	Sun Sensor (SUNIS) (for single motor)	€ 625	pcs
FS29-1S	Sun Sensor (SUNIS) (for synchronized motor)	€ 989	pcs
FS29-2	Wind Sensor (EOLIS RTS) (for single motor)	€ 292	pcs
FS29-2S	Wind Sensor (EOLIS RTS) (for synchronized motor)	€ 657	pcs
FS29-3	Sun and Wind Sensor (SOLIRIS RTS) (for single motor)	€ 331	pcs
FS29-3S	Sun and Wind Sensor (SOLIRIS RTS) (for synchronized motor)	€ 696	pcs
FS29-4 ^{2/3}	Rain Sensor (ONDEIS) (for single motor)	€ 574	pcs
FS29-4S ^{2/3}	Rain Sensor (ONDEIS) (for synchronized motor)	€ 939	pcs
FS30	CONNEXOON	€ 525	pcs
FS10-150ST3	Extra pillar (150x150x3mm St.)	€ 1.252	pcs
FS10-150ST5	Extra pillar (150x150x5mm St.)	€ 1.751	pcs

EXTENSIONS

Beam Profile (Al. 40x120mm)	€ 67	lm
Beam Profile (Al. 42x150mm)	€ 105	lm
Beam Profile (Al. 50x150mm)	€ 186	lm
Beam Profile (Al. 100x150mm)	€ 155	lm
Beam Profile (St. 100x150x3mm)	€ 320	lm
Beam Profile (St. 100x150x5mm)	€ 388	lm
Beam Profile (St. 100x200x3mm)	€ 325	lm
Beam Profile (St. 100x200x5mm)	€ 462	lm
Fabric protection cover (Al. - 63x__cm)	€ 60	m ²
L1200 Gutter	€ 64	lm

PRICE DIFFERENCE

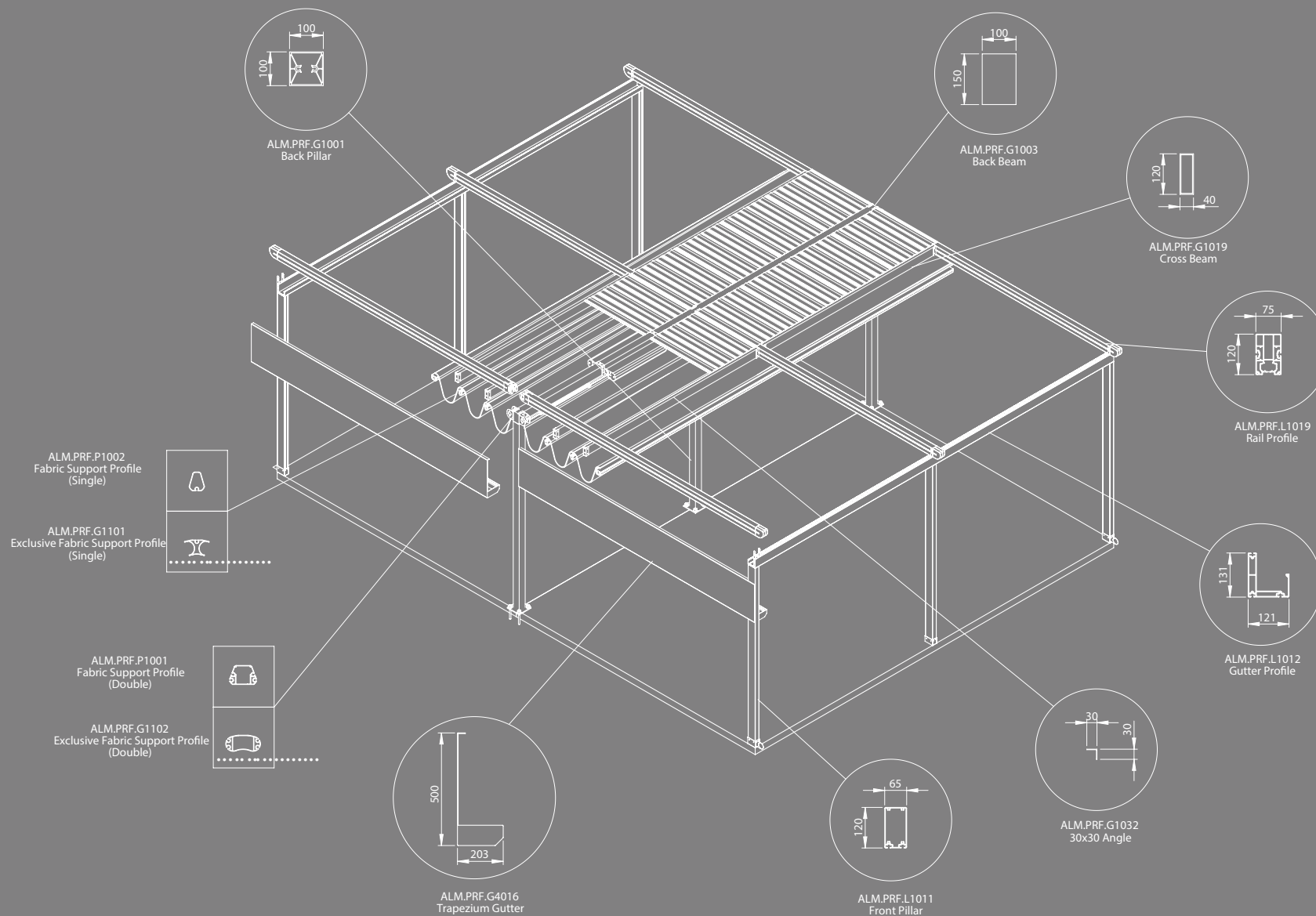
		BEAM GROUP	
		Standard	Al. 40x120mm
Back Beam	to	Al. 42x150mm	€ 40 lm
		Al. 50x150mm	€ 122 lm
		Al. 80x130mm	€ 31 lm
		St. 50x150x3mm	€ 156 lm
		St. 50x150x5mm	€ 244 lm
		Al. 100x150mm	€ 89 lm
		St. 100x150x3mm	€ 262 lm
		St. 100x150x5mm	€ 336 lm
		St. 100x200x3mm	€ 266 lm
		St. 100x200x5mm	€ 410 lm

Notes:

1. Fabric support profiles can be painted in the same color as the general construction. No fee is paid for this process. However, the plastic color should be specified from our standard plastic colours in Palmiye Colour Chart.
2. For one product, a dry contact transmitter costing 370€, must be added.
3. Up to 5 products, a RS485 Automation interface dry contact transmitter costing 1126€, must be added.



TWIN STANDING SYSTEM WITH FRONT PILLAR 1200 SERIES



Freestanding products must have flanges on the pillars.

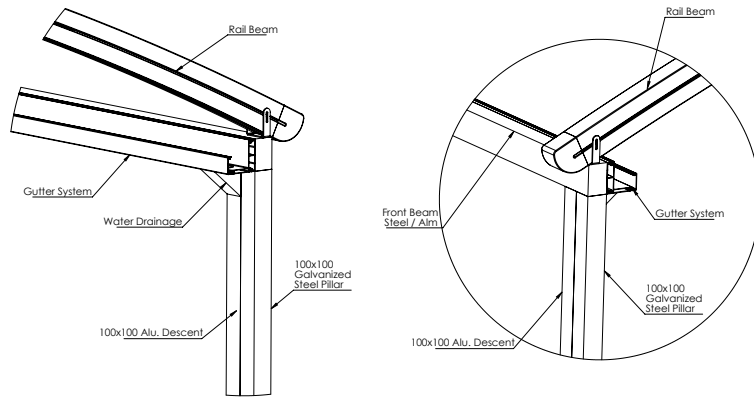
TECHNICAL DETAILS

WATER DRAIN&GUTTER CALCULATION

PRODUCT TYPE	MAX. M ²	USED PRODUCT TYPE
WATER DRAINAGE 45	34m ²	1200 Series Standard

*There should be at least one drainage, each 8 m length gutter.

APPLICATION FORM IN STEEL FRONT BEAM AND DEVICE



* In use of aluminum front pillar of 100*100 and front beam of 100*150 water drain, is applied from the available pillar. No external descent is applied.

TERMS OF USE OF MIDDLE PILLAR AND BEAM FOR TWIN STANDING SYSTEM (STANDART)

		PRODUCT WIDTH							
		450	500	550	600	650	700	750	800
PROJECTION	800	A	A	A	A	A	A	A	A
	900	A	A	A	A	A	A	A	A
	1000	A	A	A	A	A	A	A	A
	1100	A	A	A	A	A	A	A	A
	1200	A	A	A	A	A	A	A	A
GROUND FLANGE BACK PILLAR BACK BEAM		A		200*200*10 FLANGE ALU 100*100 ALU 100*150 ALU					

* Price of middle pillar and beam is included in the list price for twin standing system.

TERMS OF USE OF MIDDLE PILLAR AND BEAM

		OUT TO OUT PILLAR SIZE					
		500	550	600	700	750	800
PROJECTION	800	B	B	B	C	D	D
	900	B	B	B	C	D	D
	1000	B	B	B	C	D	D
	1100	B	B	C	C	D	D
	1200	B	C	C	C	D	D
F. PILLAR F. BEAM	B	100*100 ALU 100*150 ALU	C	100*100*3 G.S 100*150*3 G.S	D	100*100*5 G.S 100*200*5 G.S	

- * Use of middle pillar and beam should be additionally priced.
- * Floor mounting of the pillar is performed with flange of 200*200*10 mm or ground anchor.
- * Maximum height is 4m for aluminum middle pillars and 5m for steel middle pillars.

TERMS OF USE OF FRONT PILLAR AND BEAM

		OUT TO OUT PILLAR SIZE				
		450	550	600	650	700
PROJECTION	800	A	A	B	B	C
	900	A	A	B	B	C
	1000	A	A	B	C	C
	1100	A	B	B	C	C
	1200	A	B	C	C	C
F. PILLAR F. BEAM	A	100*100 ALU 100*150 ALU	B	100*100*3 G.S 100*150*3 G.S	C	100*100*5 G.S 100*200*5 G.S

- * Use of front pillar and beam should be additionally priced.
- * Ground mounting of the pillar is performed with flange of 200x200x10 or 100x100 stainless ground anchor.
- * Application is made behind the gutter system.
- * Maximum height is 4m for aluminum front pillars and 5m for steel front pillars.
- * If front pillar and beam is made of steel, water drain is given from empty aluminum box profile of 100*100.



TWIN STANDING SYSTEM WITH FRONT PILLAR 1200 SERIES

PROJECTION	WIDTH											
	2 RAIL				3 RAIL							
	250 cm	300 cm	350 cm	400 cm	450 cm	500 cm	550 cm	600 cm	650 cm	700 cm	750 cm	800 cm
400 cm	€ 8.954	€ 9.467	€ 10.090	€ 10.768	€ 12.469	€ 13.055	€ 13.570	€ 14.227	€ 14.839	€ 15.296	€ 15.893	€ 16.551
450 cm	€ 9.316	€ 9.853	€ 10.501	€ 11.205	€ 13.023	€ 13.634	€ 14.172	€ 14.857	€ 15.491	€ 15.972	€ 16.594	€ 17.275
500 cm	€ 9.674	€ 10.235	€ 10.909	€ 11.636	€ 13.573	€ 14.208	€ 14.769	€ 15.477	€ 16.140	€ 16.640	€ 17.285	€ 17.991
550 cm	€ 10.237	€ 11.020	€ 11.759	€ 12.556	€ 14.640	€ 15.341	€ 16.116	€ 16.742	€ 17.619	€ 18.182	€ 18.894	€ 19.668
600 cm	€ 10.603	€ 11.411	€ 12.178	€ 12.998	€ 15.197	€ 15.923	€ 16.726	€ 17.376	€ 18.277	€ 18.862	€ 19.598	€ 20.395
650 cm	€ 10.961	€ 11.797	€ 12.587	€ 13.432	€ 15.747	€ 16.499	€ 17.326	€ 18.002	€ 18.926	€ 19.469	€ 20.225	€ 21.045
700 cm	€ 11.322	€ 12.179	€ 12.994	€ 13.868	€ 16.300	€ 17.076	€ 17.927	€ 18.629	€ 19.578	€ 20.139	€ 20.922	€ 21.766
750 cm	€ 11.683	€ 12.565	€ 13.405	€ 14.301	€ 16.856	€ 17.655	€ 18.529	€ 19.253	€ 20.230	€ 20.811	€ 21.617	€ 22.486
800 cm	€ 12.140	€ 13.055	€ 13.925	€ 14.849	€ 17.547	€ 18.375	€ 19.282	€ 20.032	€ 21.044	€ 21.649	€ 22.481	€ 23.379
850 cm	€ 14.213	€ 15.082	€ 16.116	€ 17.237	€ 19.923	€ 20.901	€ 21.766	€ 22.856	€ 23.871	€ 24.647	€ 25.594	€ 26.680
900 cm	€ 14.519	€ 15.409	€ 16.467	€ 17.611	€ 20.393	€ 21.392	€ 22.279	€ 23.390	€ 24.429	€ 25.224	€ 26.194	€ 27.302
950 cm	€ 14.819	€ 15.732	€ 16.813	€ 17.980	€ 20.858	€ 21.878	€ 22.784	€ 23.919	€ 24.981	€ 25.796	€ 26.789	€ 27.921
1000 cm	€ 15.121	€ 16.056	€ 17.160	€ 18.349	€ 21.322	€ 22.364	€ 23.292	€ 24.448	€ 25.535	€ 26.368	€ 27.383	€ 28.537
1050 cm	€ 15.580	€ 16.692	€ 17.852	€ 19.097	€ 22.187	€ 23.285	€ 24.384	€ 25.479	€ 26.737	€ 27.622	€ 28.691	€ 29.901
1100 cm	€ 16.041	€ 17.328	€ 18.543	€ 19.846	€ 23.052	€ 24.205	€ 25.474	€ 26.511	€ 27.938	€ 28.875	€ 29.999	€ 31.264
1150 cm	€ 16.349	€ 17.659	€ 18.897	€ 20.222	€ 23.520	€ 24.697	€ 25.992	€ 27.050	€ 28.498	€ 29.456	€ 30.601	€ 31.888
1200 cm	€ 16.656	€ 17.988	€ 19.253	€ 20.597	€ 23.991	€ 25.190	€ 26.509	€ 27.588	€ 29.057	€ 30.037	€ 31.204	€ 32.514

G23	€ 136	€ 141	€ 156	€ 169	€ 184	€ 216	€ 213	€ 228	€ 241	€ 253	€ 327	€ 342
FS5-A	€ 44	€ 56	€ 65	€ 75	€ 87	€ 96	€ 108	€ 117	€ 129	€ 139	€ 150	€ 160
FS5-E	€ 61	€ 77	€ 90	€ 103	€ 119	€ 132	€ 148	€ 162	€ 178	€ 191	€ 207	€ 220

FS5-A	Additional Fabric Support Profile (Standard)
FS4-L1200 (R99) FS10-L1200 (ALM-08)	Additional Rail for L1200 Series - Al. - 75x120mm Additional Pillar for L1200 Series - Al. 65x120mm
FS8	Lighting System
FS21-L1200 (TG23)	Trapezium Gutter
FS9 (Y65)	Side Beam (Al. 50x150mm)
FS9-L1200 (Y66)	Side Beam for L1200 Series- Al. - 65x120mm

Notes:

1. If additional rail is required, it is also necessary to use a corresponding front pillar. Both parts are included in the price of option FS4-1200+FS10-1200(ALM-08).
2. Any Side Beam is not included in the price.
3. FS21-L1200 (TG23) Trapezium Gutter is an optional.
4. FS Flexy Plain/3D or Stam 6002 Trapezium ceiling cover, Motor and Remote control are included in the price.
5. Palmiye Aluminium Coating Catalogue includes the standard colours with no extra cost. For any other type/brand/color of paint, price difference and additional delivery duration shall be checked from your customer representative.
6. Standard "Fabric support profile plastic colors" are specified in our Aluminium coating catalogue.
7. Trapezium ceiling cover is included in the price.

FS4-L1200 (R99) FS10-L1200 (ALM-08)	FS9-L1200 (Y66)	FS9 (Y65)	FS21-L1200 (TG23)
€ 1.539	€ 374	€ 443	€ 583
€ 1.636	€ 416	€ 493	€ 654
€ 1.736	€ 458	€ 543	€ 727
€ 1.833	€ 500	€ 593	€ 801
€ 1.930	€ 542	€ 643	€ 872
€ 2.030	€ 584	€ 693	€ 947
€ 2.127	€ 625	€ 743	€ 1.019
€ 2.224	€ 667	€ 793	€ 1.090
€ 2.323	€ 709	€ 843	€ 1.165
€ 2.421	€ 751	€ 893	€ 1.237
€ 2.518	€ 793	€ 943	€ 1.308
€ 2.617	€ 835	€ 993	€ 1.383
€ 2.716	€ 877	€ 1.043	€ 1.455
€ 2.813	€ 919	€ 1.088	€ 1.528
€ 2.911	€ 961	€ 1.137	€ 1.601
€ 3.008	€ 1.003	€ 1.187	€ 1.673
€ 3.107	€ 1.045	€ 1.236	€ 1.746

FS8	
FS8-S	SPOT
FS8-L	LINEAR
FS8-LR	LINEAR (RGB)

LED TYPE & MODULE		
2 LED	3 LED	4 LED
€ 136	€ 165	€ 194
€ 194	€ 252	
€ 247	€ 320	

DEDUCTIONS

Price deduction is applicable only for pillars and beam. Deduction amount shall be consider as 70% of related option price.

OPTIONS

FS10-L1200 (ALM-08)	Extra pillar (65x120mm Al.) for L1200 series	€ 203	pcs
FS10	Extra pillar (100x100mm Al.)	€ 540	pcs
FS10-ST3	Extra pillar (100x100x3mm St.)	€ 671	pcs
FS10-ST5	Extra pillar (100x100x5mm St.)	€ 978	pcs
FS11	Deco ceiling cover	€ 75	m ²
FS15	Side beam pillar (50x100mm - Al)	€ 280	pcs
FS15-B	Side beam pillar (100x100mm - Al)	€ 540	pcs
FS15-L1200 (ALM-12)	Side beam pillar (65x120mm - Al) for L1200 series	€ 203	pcs
FS19	Fix louver	€ 74	lm
FS23	External Square Downpipe	€ 330	pcs
FS24	W96 Ceiling Cover	€ 86	m ²
FS29-1	Sun Sensor (SUNIS) (for single motor)	€ 625	pcs
FS29-1S	Sun Sensor (SUNIS) (for synchronized motor)	€ 989	pcs
FS29-2	Wind Sensor (EOLIS RTS) (for single motor)	€ 292	pcs
FS29-2S	Wind Sensor (EOLIS RTS) (for synchronized motor)	€ 657	pcs
FS29-3	Sun and Wind Sensor (SOLIRIS RTS) (for single motor)	€ 331	pcs
FS29-3S	Sun and Wind Sensor (SOLIRIS RTS) (for synchronized motor)	€ 696	pcs
FS29-4 ^{2/3}	Rain Sensor (ONDEIS) (for single motor)	€ 574	pcs
FS29-4S ^{2/3}	Rain Sensor (ONDEIS) (for synchronized motor)	€ 939	pcs
FS30	CONNEXOON	€ 525	pcs

Notes:

1. Fabric support profiles can be painted in the same color as the general construction. No fee is paid for this process. However, the plastic color should be specified from our standard plastic colours in Palmiye Colour Chart.
2. For one product, a dry contact transmitter costing 370€, must be added.
3. Up to 5 products, a RS485 Automation interface dry contact transmitter costing 1126€, must be added.
4. In pergolas including steel front pillars, if gutter option is preferred, external water drainage points will be specified according to the Project and will be priced additionally.

EXTENSIONS

L1200 Rail - 75x120mm	€ 152	lm
Beam Profile (Al. 100x150mm)	€ 155	lm
Beam Profile (St. 100x150x3mm)	€ 320	lm
Beam Profile (St. 100x150x5mm)	€ 388	lm
Beam Profile (St. 100x200x3mm)	€ 325	lm
Beam Profile (St. 100x200x5mm)	€ 462	lm
Fabric protection cover (Al. - 63x___cm)	€ 60	m ²
L1200 Gutter	€ 64	lm

*Max. Al. Front pillar (Al. 65x120mm) height is 280cm

*Max. St 3mm. Front pillar (St. 100x100x3mm) height is 380cm

*Max. St. 5mm Front pillar (St. 100x100x5mm) height is 480cm

PRICE DIFFERENCE

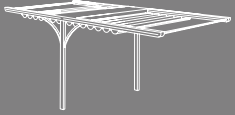
BEAM GROUP

	Standard	Al. 100x150mm	
Back Beam to		St. 100x150x3mm	€ 160 lm
		St. 100x150x5mm	€ 238 lm
		St. 100x200x3mm	€ 165 lm
		St. 100x200x5mm	€ 311 lm

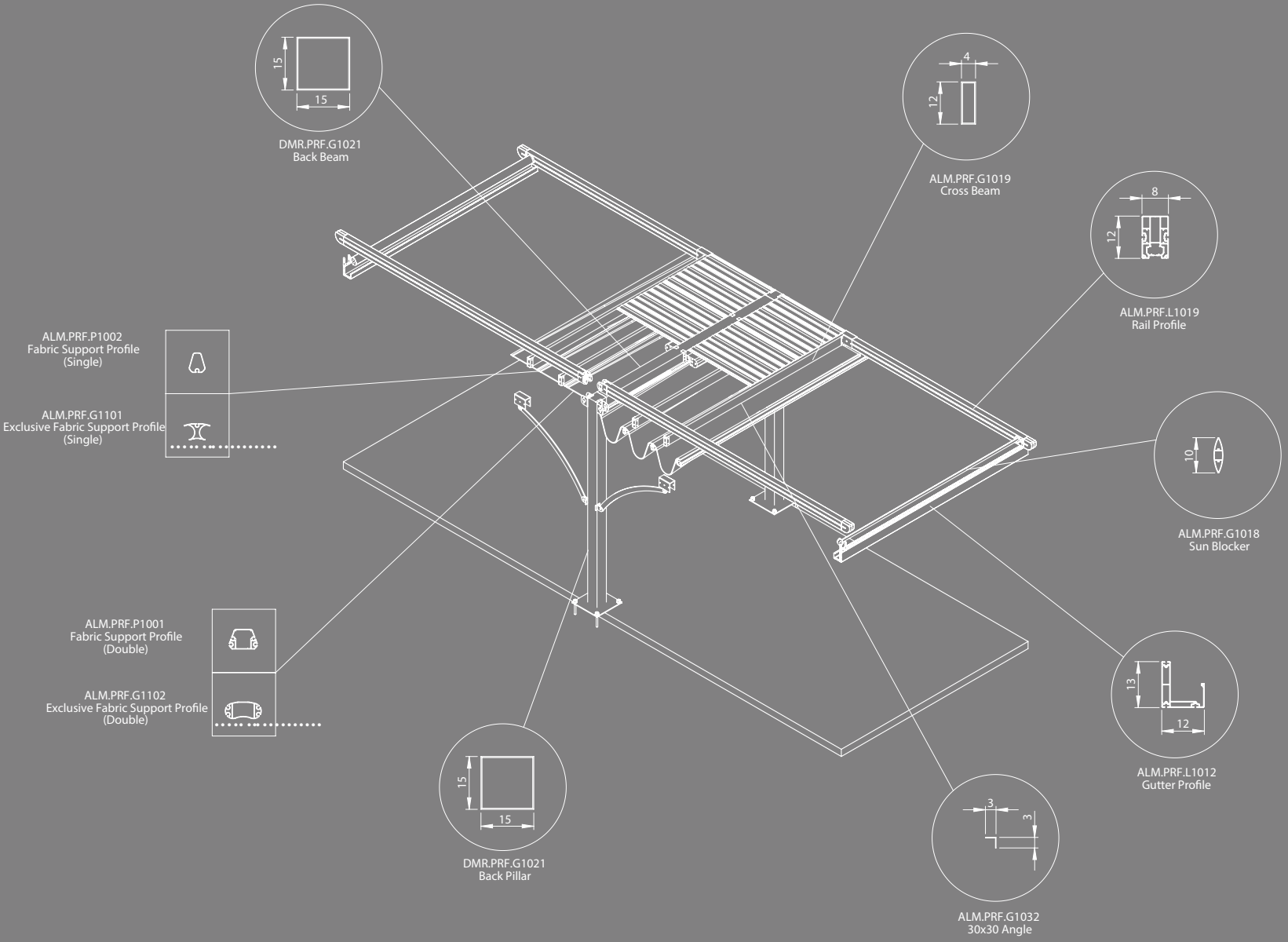
PILLAR GROUP

	Standard	Al. 65x120mm	
Front Pillar to		Al. 80x80mm	€ 197 pcs
		Al. 100x100mm	€ 342 pcs
		St. 100x100x3mm	€ 416 pcs
		St. 100x100x5mm	€ 729 pcs
		St. 150x150x3mm	€ 1.008 pcs
		St. 150x150x5mm	€ 1.516 pcs

	Standard	Al. 100x100mm	
Back Pillar to		St. 100x100x3mm	€ 117 pcs
		St. 100x100x5mm	€ 479 pcs
		St. 150x150x3mm	€ 731 pcs
		St. 150x150x5mm	€ 1.294 pcs



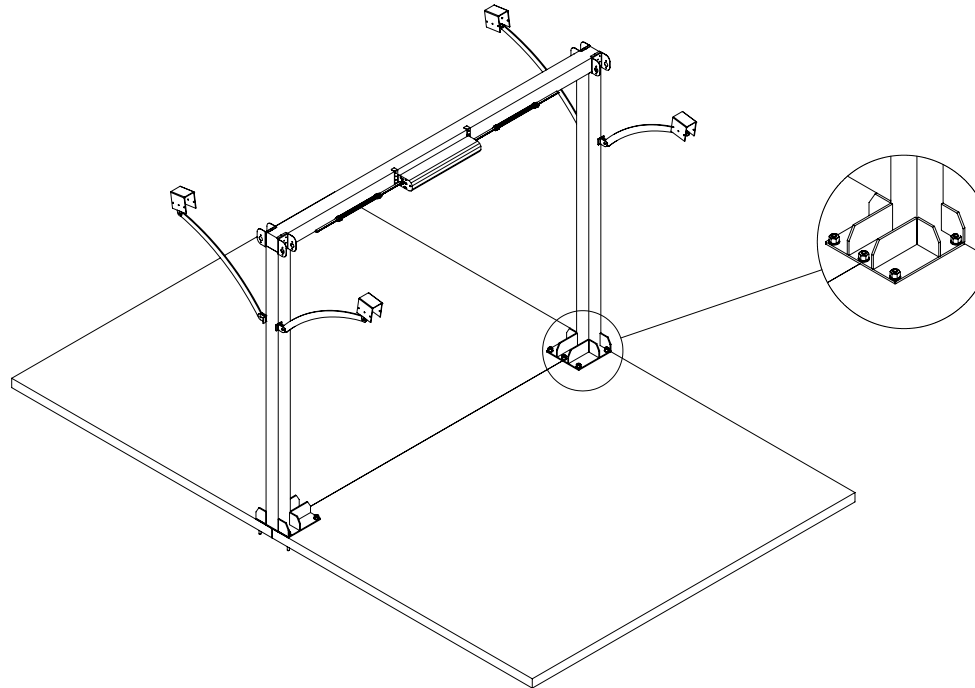
TWIN BRACKET SYSTEM 1200 SERIES



WATER DRAIN&GUTTER CALCULATION

PRODUCT TYPE	MAX. M ²	USED PRODUCT TYPE
WATER DRAINAGE 45	34m ²	1200 Series Standard

*There should be at least one drainage, each 8 m length gutter.



- * Distance between two pillars depends on the system width.
- * For the systems with 2 units next to each other, one of the pillars in the middle will be removed.
- * Strut support apparatus is used under each rail.
- * Pillar and beam are used as 150*150*3mm in standard.



TWIN BRACKET SYSTEM 1200 SERIES

		WIDTH			
		2 RAIL			
		250 cm	300 cm	350 cm	400 cm
PROJECTION	400 cm	€ 9.138	€ 9.651	€ 10.274	€ 10.898
	450 cm	€ 9.493	€ 10.031	€ 10.678	€ 11.327
	500 cm	€ 9.844	€ 10.405	€ 11.079	€ 11.752
	550 cm	€ 10.398	€ 11.182	€ 11.922	€ 12.662
	600 cm	€ 10.757	€ 11.566	€ 12.335	€ 13.102
	650 cm	€ 11.109	€ 11.945	€ 12.735	€ 13.525
	700 cm	€ 11.463	€ 12.322	€ 13.137	€ 13.950
	750 cm	€ 11.817	€ 12.701	€ 13.541	€ 14.379
	800 cm	€ 12.267	€ 13.182	€ 14.052	€ 14.924

G23	€ 136	€ 141	€ 156	€ 169
FS5-A	€ 44	€ 56	€ 65	€ 75
FS5-E	€ 61	€ 77	€ 90	€ 103

FS5-A	Additional Fabric Support Profile (Standard)
FS8	Lighting System

Notes:

1. Modules can not be combined.
2. Side beam is not applicable
3. FS Flexy Plain/3D or Stam 6002 Trapezium ceiling cover, Motor and Remote control are included in the price.
4. Palmiye Aluminium Coating Catalogue includes the standard colours with no extra cost. For any other type/brand/color of paint, price difference and additional delivery duration shall be checked from your customer representative.
5. Standard "Fabric support profile plastic colors" are specified in our Aluminium coating catalogue.
6. This product includes a sun braker profile in the front to connect the rails.
7. Trapezium ceiling cover is included in the price.

FS8	
FS8-S	SPOT
FS8-L	LINEAR
FS8-LR	LINEAR (RGB)

LED TYPE & MODULE		
2 LED	3 LED	4 LED
€ 136	€ 165	€ 194
€ 194	€ 252	
€ 247	€ 320	

DEDUCTIONS

Price deduction is applicable only for back pillars and back beam. Deduction amount shall be consider as 70% of related option price.

OPTIONS

FS10	Extra pillar (100x100mm Al.)	€ 540	pcs
FS10-ST3	Extra pillar (100x100x3mm St.)	€ 671	pcs
FS10-ST5	Extra pillar (100x100x5mm St.)	€ 978	pcs
FS11	Deco ceiling cover	€ 75	m ²
FS19	Fix louver	€ 74	lm
FS23	External Square Downpipe	€ 330	pcs
FS24	W96 Ceiling Cover	€ 86	m ²
FS28-1	Stainless steel chain - 100 cm	€ 78	1m
FS28-2	Stainless steel chain - 200 cm	€ 153	2m
FS28-3	Stainless steel chain - 300 cm	€ 230	3m
FS28-4	Stainless steel chain - 400 cm	€ 306	4m
FS29-1	Sun Sensor (SUNIS) (for single motor)	€ 625	pcs
FS29-2	Wind Sensor (EOLIS RTS) (for single motor)	€ 292	pcs
FS29-3	Sun and Wind Sensor (SOLIRIS RTS) (for single motor)	€ 331	pcs
FS29-4	Rain Sensor (ONDEIS) (for single motor)	€ 574	pcs
FS30	CONNEXOON	€ 525	pcs
FS10-150ST3	Extra pillar (150x150x3mm St.)	€ 1.252	pcs
FS10-150ST5	Extra pillar (150x150x5mm St.)	€ 1.751	pcs

EXTENSIONS

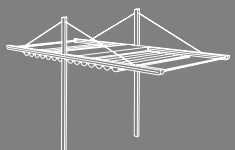
Beam Profile (Al. 100x150mm)	€ 155	lm
Beam Profile (St. 100x150x3mm)	€ 320	lm
Beam Profile (St. 100x150x5mm)	€ 388	lm
Beam Profile (St. 100x200x3mm)	€ 325	lm
Beam Profile (St. 100x200x5mm)	€ 462	lm
Fabric protection cover (Al. - 63x__cm)	€ 60	m ²
L1200 Gutter	€ 64	lm

PRICE DIFFERENCE

BEAM GROUP			
	Standard	St. 100x150x3mm	
Back Beam		St. 100x150x5mm	€ 78 lm
	to	St. 100x200x3mm	€ 4 lm
		St. 100x200x5mm	€ 150 lm
PILLAR GROUP			
	Standard	St. 150x150x3mm	
Pillar	to	St. 150x150x5mm	€ 562 pcs

Notes:

1. Fabric support profiles can be painted in the same color as the general construction. No fee is paid for this process. However, the plastic color should be specified from our standard plastic colours in Palmiye Colour Chart.
2. For one product, a dry contact transmitter costing 370€, must be added.
3. Up to 5 products, a RS485 Automation interface dry contact transmitter costing 1126€, must be added.

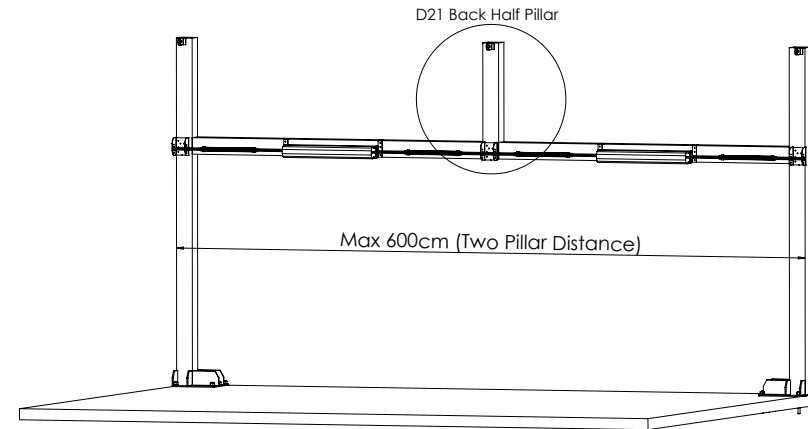


TWIN HANGING SYSTEM 1200 SERIES

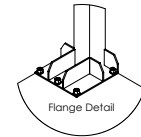
WATER DRAIN&GUTTER CALCULATION

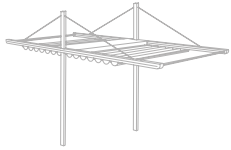
PRODUCT TYPE	MAX. M ²	USED PRODUCT TYPE
WATER DRAINAGE 45	34m ²	1200 Series Standard

*There should be at least one drainage, each 8 m length gutter.



- This model includes 3m steel back beam and pillars.
- The front beam can not be produced in steel.
- Ground flanges are 380x380x15 mm.
- When pillar reduction is applied, Extra half pillar (150x150x5mm St.) must be installed at the back of each rail shaft, and all steel pillars should be 150x150x5 mm.
- In condition of adding an additional rail, a steel 150x150x3m back pillar should also be added.





TWIN HANGING SYSTEM 1200 SERIES

WIDTH

PROJECTION

	2 RAIL				3 RAIL							
	250 cm	300 cm	350 cm	400 cm	450 cm	500 cm	550 cm	600 cm	650 cm	700 cm	750 cm	800 cm
400 cm	€ 9.207	€ 9.720	€ 10.344	€ 11.021	€ 12.925	€ 13.511	€ 14.024	€ 14.683	€ 15.294	€ 15.752	€ 16.349	€ 17.006
450 cm	€ 9.563	€ 10.101	€ 10.750	€ 11.452	€ 13.472	€ 14.083	€ 14.621	€ 15.303	€ 15.940	€ 16.420	€ 17.042	€ 17.723
500 cm	€ 9.913	€ 10.476	€ 11.148	€ 11.877	€ 14.015	€ 14.649	€ 15.209	€ 15.918	€ 16.581	€ 17.082	€ 17.727	€ 18.433
550 cm	€ 10.469	€ 11.252	€ 11.992	€ 12.791	€ 15.072	€ 15.773	€ 16.549	€ 17.176	€ 18.054	€ 18.617	€ 19.328	€ 20.102
600 cm	€ 10.828	€ 11.636	€ 12.405	€ 13.223	€ 15.624	€ 16.351	€ 17.153	€ 17.804	€ 18.704	€ 19.289	€ 20.025	€ 20.822
650 cm	€ 11.179	€ 12.015	€ 12.805	€ 13.650	€ 16.168	€ 16.919	€ 17.746	€ 18.420	€ 19.346	€ 19.889	€ 20.645	€ 21.465
700 cm	€ 11.532	€ 12.392	€ 13.207	€ 14.079	€ 16.713	€ 17.489	€ 18.338	€ 19.040	€ 19.991	€ 20.552	€ 21.335	€ 22.178
750 cm	€ 11.886	€ 12.771	€ 13.611	€ 14.504	€ 17.262	€ 18.061	€ 18.935	€ 19.659	€ 20.636	€ 21.217	€ 22.023	€ 22.892
800 cm	€ 12.337	€ 13.252	€ 14.124	€ 15.046	€ 17.947	€ 18.774	€ 19.678	€ 20.429	€ 21.442	€ 22.048	€ 22.879	€ 23.778
850 cm	€ 14.403	€ 15.271	€ 16.308	€ 17.426	€ 20.315	€ 21.292	€ 22.155	€ 23.245	€ 24.262	€ 25.036	€ 25.985	€ 27.072
900 cm	€ 14.701	€ 15.591	€ 16.649	€ 17.793	€ 20.776	€ 21.775	€ 22.661	€ 23.773	€ 24.813	€ 25.608	€ 26.578	€ 27.686
950 cm	€ 14.994	€ 15.907	€ 16.989	€ 18.154	€ 21.233	€ 22.254	€ 23.160	€ 24.294	€ 25.358	€ 26.173	€ 27.165	€ 28.296
1000 cm	€ 15.287	€ 16.224	€ 17.328	€ 18.515	€ 21.691	€ 22.733	€ 23.658	€ 24.816	€ 25.905	€ 26.737	€ 27.753	€ 28.905
1050 cm	€ 15.580	€ 16.540	€ 17.666	€ 18.878	€ 22.145	€ 23.210	€ 24.159	€ 25.338	€ 26.450	€ 27.302	€ 28.339	€ 29.515
1100 cm	€ 15.875	€ 16.856	€ 18.006	€ 19.239	€ 22.603	€ 23.689	€ 24.657	€ 25.860	€ 26.995	€ 27.867	€ 28.927	€ 30.124
1150 cm	€ 16.168	€ 17.173	€ 18.343	€ 19.600	€ 23.061	€ 24.168	€ 25.156	€ 26.380	€ 27.542	€ 28.432	€ 29.513	€ 30.734
1200 cm	€ 16.461	€ 17.489	€ 18.683	€ 19.961	€ 23.519	€ 24.647	€ 25.656	€ 26.902	€ 28.087	€ 28.996	€ 30.101	€ 31.343

G23	€ 136	€ 141	€ 156	€ 169	€ 184	€ 216	€ 213	€ 228	€ 241	€ 253	€ 327	€ 342
FS5-A	€ 44	€ 56	€ 65	€ 75	€ 87	€ 96	€ 108	€ 117	€ 129	€ 139	€ 150	€ 160
FS5-E	€ 61	€ 77	€ 90	€ 103	€ 119	€ 132	€ 148	€ 162	€ 178	€ 191	€ 207	€ 220

FS5-A	Additional Fabric Support Profile (Standard)
FS8	Lighting System
FS4-L1200 (R99)	Additional Rail- Al. - 75x120mm
FS21-L1200 (TG23)	Trapezium Gutter

Notes:

1. FS Flexy Plain/3D or Stam 6002 Trapezium ceiling cover, Motor and Remote control are included in the price.
2. Palmiye Aluminium Coating Catalogue includes the standard colours with no extra cost. For any other type/brand/color of paint, price difference and additional delivery duration shall be checked from your customer representative.
3. Standard "Fabric support profile plastic colors" are specified in our Aluminium coating catalogue.
4. This product includes a sun braker profile in the front to connect the rails.
5. Trapezium ceiling cover is included in the price.

FS4-L1200 (R99)	FS21-L1200 (TG23)
€ 1337	€ 583
€ 1.433	€ 654
€ 1.533	€ 727
€ 1.630	€ 801
€ 1.727	€ 872
€ 1.827	€ 947
€ 1.924	€ 1.019
€ 2.021	€ 1.090
€ 2.120	€ 1.165
€ 2.219	€ 1.237
€ 2.315	€ 1.308
€ 2.414	€ 1.383
€ 2.513	€ 1.455
€ 2.610	€ 1.528
€ 2.708	€ 1.601
€ 2.805	€ 1.673
€ 2.904	€ 1.746

FS8	
FS8-S	SPOT
FS8-L	LINEAR
FS8-LR	LINEAR (RGB)

LED TYPE & MODULE		
2 LED	3 LED	4 LED
€ 136	€ 165	€ 194
€ 194	€ 252	
€ 247	€ 320	

DEDUCTIONS

Price deduction is applicable only for back pillars and back beam. Deduction amount shall be consider as 70% of related option price.

OPTIONS

FS10	Extra pillar (100x100mm Al.)	€ 540	pcs
FS10-ST3	Extra pillar (100x100x3mm St.)	€ 671	pcs
FS10-ST5	Extra pillar (100x100x5mm St.)	€ 978	pcs
FS11	Deco ceiling cover	€ 75	m ²
FS19	Fix louver	€ 74	lm
FS23	External Square Downpipe	€ 330	pcs
FS24	W96 Ceiling Cover	€ 86	m ²
FS28-1	Stainless steel chain - 100 cm	€ 78	lm
FS28-2	Stainless steel chain - 200 cm	€ 153	pcs
FS28-3	Stainless steel chain - 300 cm	€ 230	pcs
FS28-4	Stainless steel chain - 400 cm	€ 306	pcs
FS29-1	Sun Sensor (SUNIS) (for single motor)	€ 534	pcs
FS29-1S	Sun Sensor (SUNIS) (for synchronized motor)	€ 846	pcs
FS29-2	Wind Sensor (EOLIS RTS) (for single motor)	€ 250	pcs
FS29-2S	Wind Sensor (EOLIS RTS) (for synchronized motor)	€ 562	pcs
FS29-3	Sun and Wind Sensor (SOLIRIS RTS) (for single motor)	€ 283	pcs
FS29-3S	Sun and Wind Sensor (SOLIRIS RTS) (for synchronized motor)	€ 595	pcs
FS29-4 ^{2/3}	Rain Sensor (ONDEIS) (for single motor)	€ 491	pcs
FS29-4S ^{2/3}	Rain Sensor (ONDEIS) (for synchronized motor)	€ 803	pcs
FS30	CONNEXOON	€ 525	pcs
FS10-150ST5-H	Extra half pillar (150x150x5mm St.)	€ 210	pcs
FS10-150ST3	Extra pillar (150x150x3mm St.)	€ 1.252	pcs
FS10-150ST5	Extra pillar (150x150x5mm St.)	€ 1.751	pcs

EXTENSIONS

Beam Profile (Al. 100x150mm)	€ 155	lm
Beam Profile (St. 100x150x3mm)	€ 320	lm
Beam Profile (St. 100x150x5mm)	€ 388	lm
Beam Profile (St. 100x200x3mm)	€ 325	lm
Beam Profile (St. 100x200x5mm)	€ 462	lm
Fabric protection cover (Al. - 63x__cm)	€ 60	m ²
L1200 Gutter	€ 64	lm

PRICE DIFFERENCE

BEAM GROUP

	Standard	St. 100x150x3mm		
Back Beam	to	St. 100x150x5mm	€ 78	lm
		St. 100x200x3mm	€ 4	lm
		St. 100x200x5mm	€ 150	lm

PILLAR GROUP

	Standard	St. 150x150x3mm		
Pillar	to	St. 150x150x5mm	€ 562	pcs

Notes:

1. Fabric support profiles can be painted in the same color as the general construction. No fee is paid for this process. However, the plastic color should be specified from our standard plastic colours in Palmiye Colour Chart.
2. For one product, a dry contact transmitter costing 370€, must be added.
3. Up to 5 products, a RS485 Automation interface dry contact transmitter costing 1126€, must be added.
4. In pergolas including steel front pillars, if gutter option is preferred, external water drainage points will be specified according to the Project and will be priced additionally.
5. The prices in the main table are for wall mounted products. This model also can be made as freestanding. For freestanding applications "FS10-150ST3" or "FS10-150ST5" pillar options and "St. 150x150x3mm" or "St. 150x150x5mm" back beam options should be added to the main prices.



www.palmiye.eu