



L1600 SERIES

PRICE LIST / 2026 v2

MADE FOR OUTDOOR LIFE



MADE FOR OUTDOOR LIFE

INDEX

INCLINED

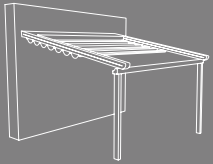
STANDING SYSTEM WITH FRONT PILLAR	04
STANDING SYSTEM WITH FRONT AND BACK PILLAR	08
BRACKET SYSTEM	12
HANGING SYSTEM	16
TWIN STANDING SYSTEM WITH FRONT PILLAR	20
TWIN BRACKET SYSTEM	24
TWIN HANGING SYSTEM	28

OVAL

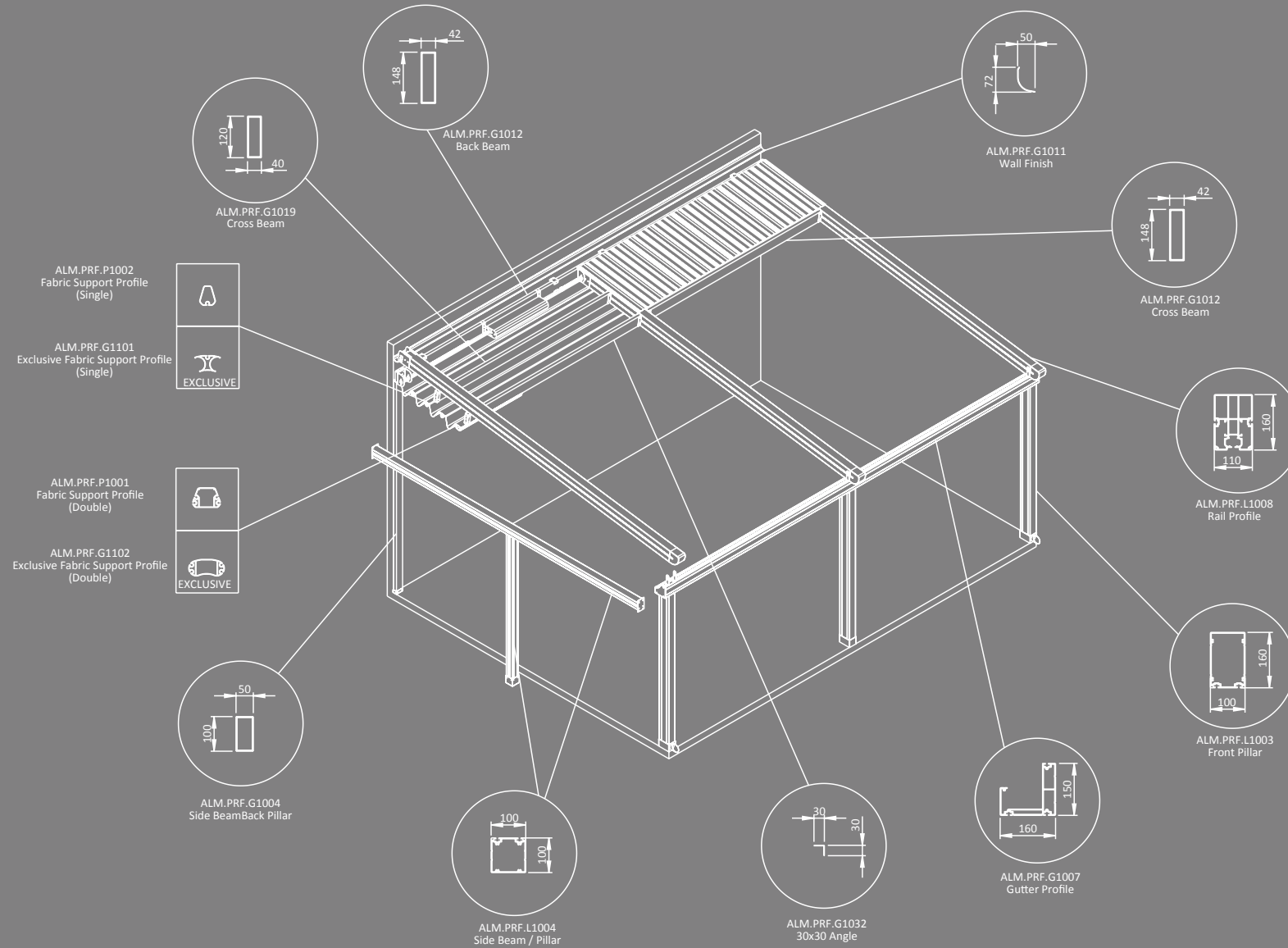
STANDING SYSTEM WITH FRONT PILLAR	32
STANDING SYSTEM WITH FRONT AND BACK PILLAR	36
BRACKET SYSTEM	40
HANGING SYSTEM	44
TWIN STANDING SYSTEM WITH FRONT PILLAR S.M.	48
TWIN STANDING SYSTEM WITH FRONT PILLAR D.M.	52
TWIN STANDING SYSTEM WITH FRONT PILLAR D.M. (WITHOUT M. PILLAR)	56
TWIN BRACKET SYSTEM	60
TWIN HANGING SYSTEM	64

FLAT

STANDING SYSTEM WITH FRONT PILLAR	68
STANDING SYSTEM WITH FRONT AND BACK PILLAR	72
BRACKET SYSTEM	76
HANGING SYSTEM	80
TWIN STANDING SYSTEM WITH FRONT PILLAR	84
TWIN BRACKET SYSTEM	88
TWIN HANGING SYSTEM	92



STANDING SYSTEM WITH FRONT PILLAR



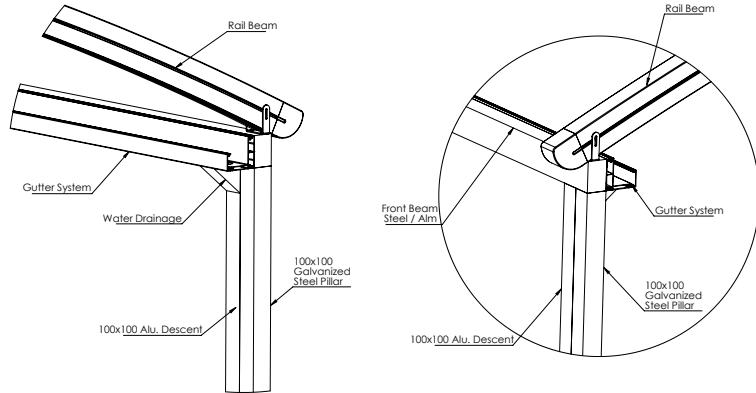
TECHNICAL DETAILS

WATER DRAIN&GUTTER CALCULATION

PRODUCT TYPE	MAX. M ²	USED PRODUCT TYPE
WATER DRAINAGE 45	34m ²	1200 Series Standard
WATER DRAINAGE 65	42m ²	Standard

*There should be at least one drainage, each 8 m length gutter.

APPLICATION FORM IN STEEL FRONT BEAM AND DEVICE



* In use of aluminum front pillar of 100*100 and front beam of 100*150 water drain, is applied from the available pillar. No external descent is applied.

MINIMUM SLOPE CHART

Slope	Rail Center										
	6,4-7,9%	7,4-8,8%	8,4-9,7%	9,4-10,8%	10,4-12%	11,2-12,7%	12-13,4%	13-14,6%	14-15,7%	15-16,8%	16-17,6%
	200	225	250	275	300	325	350	375	400	425	450
250	16	19	21	24	26	28	30	33	35	38	40
300	20	23	26	29	31	34	37	40	42	45	48
350	23	27	30	34	37	40	43	46	49	53	56
400	27	31	35	39	42	46	49	53	57	61	64
450	32	36	40	44	48	52	56	60	64	69	73
500	36	41	45	50	54	59	63	68	72	77	81
550	40	45	50	55	60	65	70	75	80	85	90
600	44	50	55	61	66	72	77	83	88	94	99
650	49	55	61	67	72	78	84	90	96	102	108
700	54	60	66	73	79	85	91	98	104	111	117
750	59	66	72	79	85	92	99	106	112	119	126
800	63	70	77	85	92	99	106	114	121	129	136
850	67	75	82	91	99	106	113	122	130	138	146
900	71	79	87	97	106	113	120	130	139	148	156
950	75	84	92	103	113	120	127	138	148	157	166
1000	79	88	97	109	120	127	134	146	157	167	176

Projection

*Note: Max. slope can be up to 25%
For back height of system 30 cm should be added to slope value.

BACK BEAM PROFILE TYPE (INCLUDED IN PERGOLA PRICE)

PROJECTION	PRODUCT WIDTH							
	FROM 200CM TO 1300CM							
	200	E	E	E	E	E	E	E
600	E	E	E	E	E	E	E	E
800	E	E	E	E	E	E	E	E
900	G	G	G	G	G	G	G	G
1000	G	G	G	G	G	G	G	G
BACK BEAM	E	42*150 ALU				G	50*150 ALU	

* Utilization table of back beam is included in the list price.

FRONT PILLAR REDUCTION CONDITIONS

PROJECTION	OUT TO OUT PILLAR SIZE							
		450	500	600	700	750	800	900
	400	A	A	B	B	C	C	C
500	A	A	B	B	C	C	C	
600	A	A	B	B	C	C	C	
700	A	A	B	B	C	C	C	
800	A	A	B	B	C	C	C	
900	A	A	B	B	C	C	C	
1000	A	A	B	B	C	C	C	
F. PILLAR F. BEAM	A	100*100 ALU 100*150 ALU	B	100*100*3 G.S 100*150*3 G.S	C	100*100*5 G.S 100*200*5 G.S		

* The front pillar reduction use table should be additionally priced.

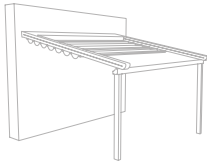
* Ground mounting is performed with flange of 200*200*10 mm or ground anchor of standard 1600 series 110*160.

* Application is made behind the gutter system.

* Maximum height is 400 cm for aluminum front pillars.

* Maximum height is 500 cm for steel front pillars.

* If front pillar and beam is made of steel, water drain is given from empty aluminum box profile of 100*100.



STANDING SYSTEM WITH FRONT PILLAR

PROJECTION	2 RAIL					3 RAIL									4 RAIL								FS4-L1600 (R97)	FS9-L1600 (Y64)	FS9
	250 cm	300 cm	350 cm	400 cm	450 cm	500 cm	550 cm	600 cm	650 cm	700 cm	750 cm	800 cm	850 cm	900 cm	950 cm	1000 cm	1050 cm	1100 cm	1150 cm	1200 cm	1250 cm	1300 cm			
200 cm	€ 6.323	€ 6.630	€ 7.068	€ 7.518	€ 7.840	€ 8.859	€ 9.171	€ 9.484	€ 10.036	€ 10.306	€ 10.723	€ 11.030	€ 11.341	€ 11.652	€ 13.039	€ 13.346	€ 13.655	€ 13.964	€ 14.275	€ 14.526	€ 14.924	€ 15.380	€ 1.202	€ 246	€ 242
250 cm	€ 6.593	€ 7.057	€ 7.486	€ 7.819	€ 8.147	€ 9.263	€ 9.731	€ 10.051	€ 10.469	€ 10.748	€ 11.173	€ 11.638	€ 12.104	€ 12.276	€ 13.620	€ 13.936	€ 14.400	€ 14.717	€ 15.037	€ 15.294	€ 15.705	€ 16.166	€ 1.326	€ 295	€ 292
300 cm	€ 7.064	€ 7.583	€ 8.062	€ 8.449	€ 8.830	€ 10.074	€ 10.590	€ 10.962	€ 11.430	€ 11.754	€ 12.231	€ 12.744	€ 13.262	€ 13.487	€ 14.967	€ 15.335	€ 15.852	€ 16.218	€ 16.590	€ 16.888	€ 17.347	€ 17.860	€ 1.452	€ 347	€ 343
350 cm	€ 7.492	€ 7.870	€ 8.360	€ 8.905	€ 9.297	€ 10.633	€ 11.018	€ 11.543	€ 12.024	€ 12.351	€ 12.839	€ 13.364	€ 13.897	€ 14.123	€ 15.852	€ 16.230	€ 16.611	€ 16.986	€ 17.510	€ 17.817	€ 18.287	€ 18.665	€ 1.575	€ 397	€ 393
400 cm	€ 7.772	€ 8.160	€ 8.660	€ 9.216	€ 9.618	€ 11.051	€ 11.446	€ 11.981	€ 12.469	€ 12.808	€ 13.305	€ 13.838	€ 14.375	€ 14.620	€ 16.452	€ 16.840	€ 17.229	€ 17.615	€ 18.150	€ 18.464	€ 18.943	€ 19.329	€ 1.700	€ 448	€ 443
450 cm	€ 8.060	€ 8.458	€ 8.969	€ 9.534	€ 9.947	€ 11.480	€ 11.884	€ 12.429	€ 12.926	€ 13.275	€ 13.780	€ 14.324	€ 14.871	€ 15.122	€ 17.063	€ 17.462	€ 17.859	€ 18.257	€ 18.800	€ 19.120	€ 19.608	€ 20.005	€ 1.824	€ 500	€ 493
500 cm	€ 8.342	€ 8.751	€ 9.272	€ 9.847	€ 10.270	€ 11.904	€ 12.315	€ 12.871	€ 13.380	€ 13.732	€ 14.250	€ 14.803	€ 15.362	€ 15.621	€ 17.667	€ 18.075	€ 18.482	€ 18.888	€ 19.442	€ 19.771	€ 20.269	€ 20.675	€ 1.950	€ 550	€ 543
550 cm	€ 8.825	€ 9.436	€ 10.008	€ 10.637	€ 11.110	€ 12.873	€ 13.478	€ 13.939	€ 14.645	€ 15.044	€ 15.610	€ 16.216	€ 16.824	€ 17.281	€ 19.301	€ 19.780	€ 20.384	€ 20.841	€ 21.443	€ 21.812	€ 22.360	€ 22.963	€ 2.076	€ 600	€ 593
600 cm	€ 9.118	€ 9.738	€ 10.322	€ 10.959	€ 11.443	€ 13.305	€ 13.925	€ 14.395	€ 15.108	€ 15.516	€ 16.091	€ 16.706	€ 17.324	€ 17.791	€ 19.939	€ 20.405	€ 21.020	€ 21.486	€ 22.098	€ 22.475	€ 23.032	€ 23.643	€ 2.200	€ 651	€ 643
650 cm	€ 9.402	€ 10.036	€ 10.628	€ 11.275	€ 11.772	€ 13.730	€ 14.359	€ 14.840	€ 15.564	€ 15.916	€ 16.497	€ 17.119	€ 17.741	€ 18.220	€ 20.548	€ 21.027	€ 21.574	€ 22.124	€ 22.746	€ 23.129	€ 23.697	€ 24.319	€ 2.326	€ 703	€ 693
700 cm	€ 9.688	€ 10.329	€ 10.932	€ 11.591	€ 12.097	€ 14.159	€ 14.795	€ 15.289	€ 16.021	€ 16.377	€ 16.970	€ 17.601	€ 18.237	€ 18.720	€ 21.159	€ 21.645	€ 22.276	€ 22.762	€ 23.397	€ 23.785	€ 24.365	€ 24.993	€ 2.450	€ 753	€ 743
750 cm	€ 9.976	€ 10.628	€ 11.239	€ 11.907	€ 12.422	€ 14.586	€ 15.233	€ 15.734	€ 16.479	€ 16.840	€ 17.442	€ 18.084	€ 18.727	€ 19.220	€ 21.771	€ 22.266	€ 22.907	€ 23.404	€ 24.045	€ 24.442	€ 25.030		€ 2.576		€ 1.073
800 cm	€ 10.458	€ 11.164	€ 11.827	€ 12.549	€ 13.117	€ 15.410	€ 16.109	€ 16.659	€ 17.455	€ 17.860	€ 18.513	€ 19.202	€ 19.896	€ 20.443	€ 23.139	€ 23.685	€ 24.378	€ 24.923	€ 25.616	€ 26.056			€ 2.700		€ 1.123
850 cm	€ 11.023	€ 11.798	€ 12.528	€ 13.318	€ 13.956	€ 16.395	€ 17.162	€ 17.778	€ 18.638	€ 19.102	€ 19.823	€ 20.579	€ 21.336	€ 21.955	€ 24.814	€ 25.425							€ 2.825		€ 1.173
900 cm	€ 11.505	€ 12.335	€ 13.116	€ 13.961	€ 14.651	€ 17.219	€ 18.039	€ 18.704	€ 19.613	€ 20.121	€ 20.893	€ 21.697	€ 22.505	€ 23.177	€ 26.185	€ 26.844							€ 2.948		€ 1.223
950 cm	€ 11.990	€ 12.873	€ 13.704	€ 14.602	€ 15.348	€ 18.044	€ 18.915	€ 19.630	€ 20.589	€ 21.140	€ 21.964	€ 22.818	€ 23.674	€ 24.399	€ 27.555	€ 28.263							€ 3.074		€ 1.273
1000 cm	€ 12.472	€ 13.409	€ 14.291	€ 15.244	€ 16.043	€ 18.868	€ 19.790	€ 20.555	€ 21.565	€ 22.160	€ 23.034	€ 23.936	€ 24.843	€ 25.622	€ 28.924	€ 29.682							€ 3.198		€ 1.323

included side beam pillar

FS5-A	€ 44	€ 56	€ 65	€ 75	€ 87	€ 96	€ 108	€ 117	€ 129	€ 139	€ 150	€ 160	€ 171	€ 181	€ 192	€ 202	€ 214	€ 223	€ 235	€ 244	€ 256	€ 266
FS5-E	€ 61	€ 77	€ 90	€ 103	€ 119	€ 132	€ 148	€ 162	€ 178	€ 191	€ 207	€ 220	€ 236	€ 249	€ 265	€ 278	€ 294	€ 307	€ 323	€ 336	€ 352	€ 366

FS5-A	Additional Fabric Support Profile (Standard)
FS4-L1600 (R97)	Additional Rail - Al. 110x160mm
FS9-L1600 (Y64)	Side Beam - Al. 100x100mm
FS9	Side Beam - Al. 50x150mm
FS8	Lighting System

FS8		LED TYPE & MODULE		
FS8-S	SPOT	2 LED	3 LED	4 LED
FS8-L	LINEAR	€ 136	€ 165	€ 194
FS8-LR	LINEAR (RGB)	€ 247	€ 320	

Notes:

- Any Side Beam is not included in the price.
- If side beam used and projection is bigger than 700 cm, a side beam pillar also needs to be added up to the rail. Price is included in FS9 side beam option price.
- FS Flexy Plain/3D or Stam 6002 is included in the price.
- Motor and Remote control is included in the price.
- Palmye Aluminium Coating Catalogue includes the standard colours with no extra cost. For any other type/brand/ color of paint, price difference and additional delivery duration shall be checked from your customer representative.
- Standard "Fabric support profile plastic colors" are specified in our Aluminium coating catalogue.

DEDUCTIONS

Price deduction is applicable only for pillars and beam. Deduction amount shall be consider as 70% of related option price.

OPTIONS			
FS10-L1600 (ALM-16)	Extra pillar (100x160mm Al.) for L1600 series	€ 362	pcs
FS10	Extra pillar (100x100mm Al.)	€ 540	pcs
FS10-ST3	Extra pillar (100x100x3mm St.)	€ 671	pcs
FS10-ST5	Extra pillar (100x100x5mm St.)	€ 978	pcs
FS11	Deco ceiling cover	€ 75	m ²
FS13-A	Wavy ceiling cover (for flexy fabric) (up to 350 cm width)	€ 38	m ²
FS15	Side beam pillar (50x100mm- Al)	€ 280	pcs
FS15-L1600 (ALM-11)	Side beam pillar (100x100mm- Al) for L1600 series	€ 355	pcs
FS19	Fix louver	€ 74	lm
FS23	External Square Downpipe	€ 330	pcs
FS24	W96 Ceiling Cover	€ 86	m ²
FS26	Exclusive fabric difference (up to 800cm width)	€ 51	m ²
FS29-1	Sun Sensor (SUNIS) (for single motor)	€ 625	pcs
FS29-1S	Sun Sensor (SUNIS) (for synchronized motor)	€ 989	pcs
FS29-2	Wind Sensor (EOLIS RTS) (for single motor)	€ 292	pcs
FS29-2S	Wind Sensor (EOLIS RTS) (for synchronized motor)	€ 657	pcs
FS29-3	Sun and Wind Sensor (SOLIRIS RTS) (for single motor)	€ 331	pcs
FS29-3S	Sun and Wind Sensor (SOLIRIS RTS) (for synchronized motor)	€ 696	pcs
FS29-4 ^{2/3}	Rain Sensor (ONDEIS) (for single motor)	€ 574	pcs
FS29-4S ^{2/3}	Rain Sensor (ONDEIS) (for synchronized motor)	€ 939	pcs
FS30	CONNEXOON	€ 525	pcs

EXTENSIONS		
L1600 Rail - 110x160mm	€ 270	lm
Beam Profile (Al. 42x150mm)	€ 105	lm
Beam Profile (Al. 50x150mm)	€ 185	lm
Beam Profile (Al. 100x150mm)	€ 155	lm
Beam Profile (St. 100x150x3mm)	€ 320	lm
Beam Profile (St. 100x150x5mm)	€ 388	lm
Beam Profile (St. 100x200x3mm)	€ 324	lm
Beam Profile (St. 100x200x5mm)	€ 461	lm
Fabric protection cover (Al. - 63x...cm)	€ 60	m ²
L1600 Gutter	€ 105	lm

*Max. Al. Front pillar (Al. 100x160mm) height is 280cm.
 *Max. St 3mm. Front pillar (St. 100x100x3mm) height is 380cm.
 *Max. St. 5mm Front pillar (St. 100x100x5mm) height is 480cm.

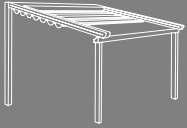
PRICE DIFFERENCE			
BEAM GROUP			
Back Beam	Standard	Al. 42x150mm	
		Al. 50x150mm	€ 81 lm
	to	St. 50x150x3mm	€ 104 lm
		St. 50x150x5mm	€ 192 lm
		Al. 100x150mm	€ 48 lm
		St. 100x150x3mm	€ 210 lm
		St. 100x150x5mm	€ 285 lm
		St. 100x200x3mm	€ 215 lm
		St. 100x200x5mm	€ 359 lm
		PILLAR GROUP	
Standard	Al. 100x160mm		
	Al. 100x100mm	€ 178	pcs
to	St. 100x100x3mm	€ 197	pcs
	St. 100x100x5mm	€ 512	pcs
	St. 150x150x3mm	€ 787	pcs
	St. 150x150x5mm	€ 1.288	pcs

Notes:

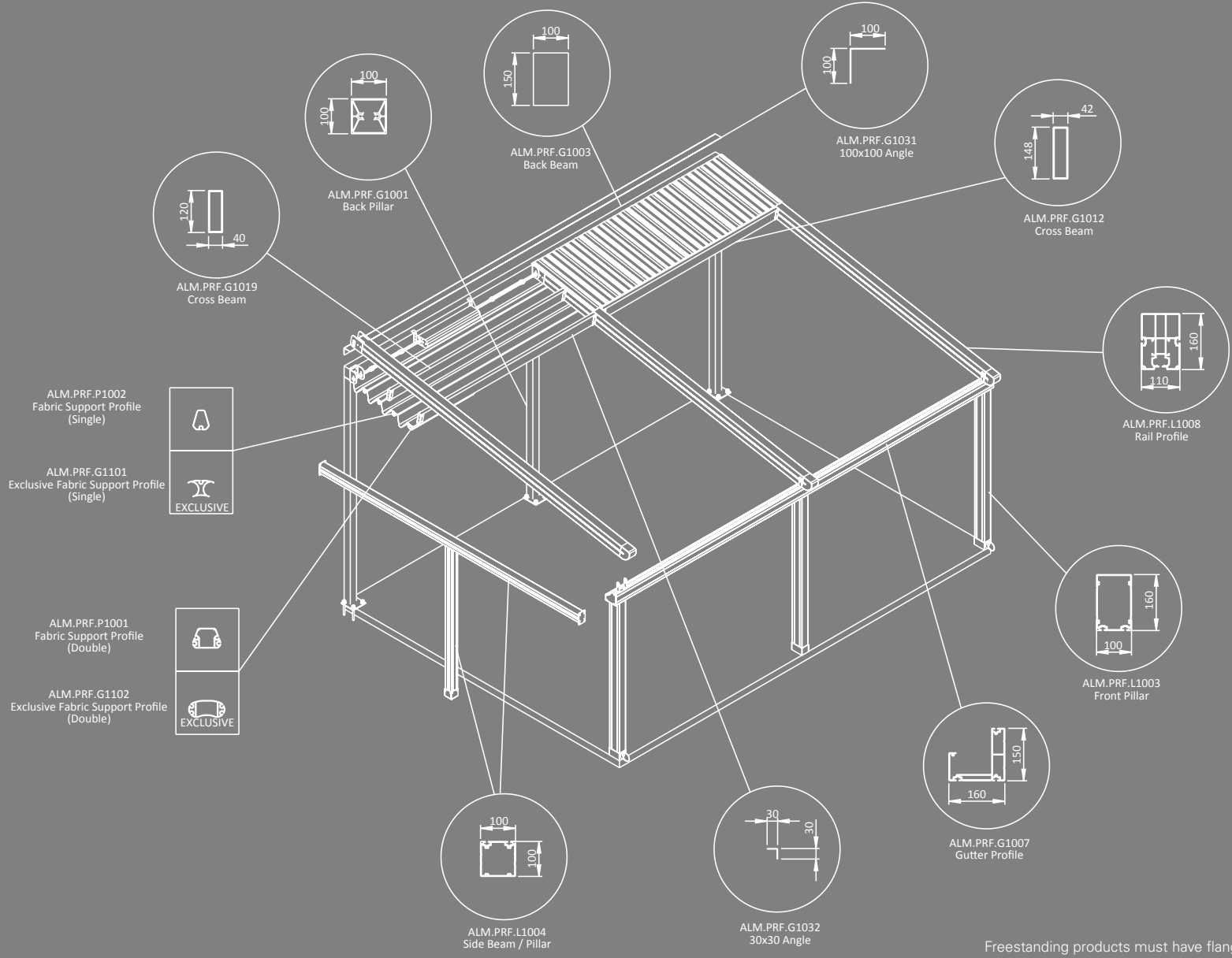
1. Fabric support profiles can be painted in the same color as the general construction. No fee is paid for this process. However, the plastic color should be specified from our standard plastic colours in Palmiye Colour Chart.

2. For one product, a dry contact transmitter costing 370€, must be added.

3. Up to 5 products, a RS485 Automation interface dry contact transmitter costing 1126€, must be added.



STANDING SYSTEM WITH FRONT AND BACK PILLAR



Freestanding products must have flanges on the pillars.

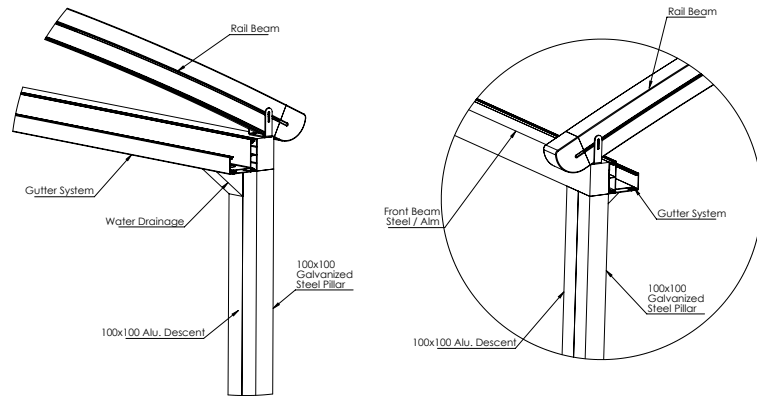
TECHNICAL DETAILS

WATER DRAIN&GUTTER CALCULATION

PRODUCT TYPE	MAX. M ²	USED PRODUCT TYPE
WATER DRAINAGE 45	34m ²	1200 Series Standard
WATER DRAINAGE 65	42m ²	Standard

*There should be at least one drainage, each 8 m length gutter.

APPLICATION FORM IN STEEL FRONT BEAM AND DEVICE



* In use of aluminum front pillar of 100*100 and front beam of 100*150 water drain, is applied from the available pillar. No external descent is applied.

MINIMUM SLOPE CHART

Slope	Rail Center											
	200	225	250	275	300	325	350	375	400	425	450	
6,4-7,9%												
7,4-8,8%												
8,4-9,7%												
9,4-10,8%												
10,4-12%												
11,2-12,7%												
12-13,4%												
13-14,5%												
14-15,7%												
15-16,6%												
16-17,6%												

Projection

*Note: Max. slope can be up to 25%

For back height of system 30 cm should be added to slope value.

USE OF BACK PILLAR AND BACK BEAM (STANDARD)

PROJECTION	PRODUCT WIDTH																	
	450	500	550	600	650	700	750	800	850	900	950	1000	1050	1100	1150	1200	1250	1300
400	A	A	A	A	A	A	A	A	A	A	A	A	A	A	A	A	A	A
450	A	A	A	A	A	A	A	A	A	A	A	A	A	A	A	A	A	A
500	A	A	A	A	A	A	A	A	A	A	A	A	A	A	A	A	A	A
550	A	A	A	A	A	A	A	A	A	A	A	A	A	A	A	A	A	A
600	A	A	A	A	A	A	A	A	A	A	A	A	A	A	A	A	A	A
650	A	A	A	A	A	A	A	A	A	A	A	A	A	A	A	A	A	A
700	A	A	A	A	A	A	A	A	A	A	A	A	A	A	A	A	A	A
750	A	A	A	A	A	A	A	A	A	A	A	A	A	A	A	A	A	A
800	A	A	A	A	A	A	A	A	A	A	A	A	A	A	A	A	A	A
850	A	A	A	A	A	A	A	A	A	A	A	A	A	A	A	A	A	A
900	A	A	A	A	A	A	B	B	B	B	B	B						
950	A	A	A	A	A	A	B	B	B	B	B	B						
1000	A	A	A	A	A	A	B	B	B	B	B	B						
GROUND FLANGE BACK PILLAR BACK BEAM	A				200*200*10 FLANGE ALU 100*100 ALU 100*150 ALU				B				200*200*10 FLANGE G.S 100*100*3MM G.S 100*150*3MM G.S					

* Utilization table of back beam and back pillar is included in the list price.

TERMS OF USE OF FRONT PILLAR AND BEAM

PROJECTION	OUT TO OUT PILLAR SIZE					
	450	550	600	650	700	
400	A	A	B	B	C	
500	A	A	B	B	C	
600	A	A	B	C	C	
700	A	B	B	C	C	
800	A	B	C	C	C	
900	A	B	C	C	C	
1000	A	B	C	C	C	
F. PILLAR F. BEAM	A	100*100 ALU 100*150 ALU	B	100*100*3 G.S 100*150*3 G.S	C	100*100*5 G.S 100*200*5 G.S

- * Use of front pillar and beam should be additionally priced.
- * Ground mounting of the pillar is performed with flange of 200*200*10 mm or ground anchor.
- * Application is made behind the gutter system
- * Maximum height is 4m for aluminum front pillars and 5m for steel front pillars.
- * If front pillar and beam is made of steel, water drain is given from empty aluminum box profile of 100*100

TERMS OF USE OF BACK PILLAR AND BACK BEAM

PROJECTION	OUT TO OUT PILLAR SIZE							
	450	500	550	600	700	800	900	
400	A	A	A	B	B	C	C	
500	A	A	B	B	B	C	C	
600	A	B	B	B	B	C	C	
700	A	B	B	B	B	C	C	
800	A	B	B	B	B	C	C	
900	B	B	B	C	C	C	C	
1000	B	B	C	C	C	C	C	
BACK PILLAR BACK BEAM	A	100*100 ALU 100*150 ALU	B	100*100*3 G.S 100*150*3 G.S	C	100*100*5 G.S 100*200*5 G.S		

- * Use of back pillar and beam should be additionally priced.
- * Floor mounting of the pillar is performed with flange of 200*200*10 mm or ground anchor.
- * Maximum height is 4m for aluminum back pillars and 5m for steel back pillars.



STANDING SYSTEM WITH FRONT AND BACK PILLAR

		WIDTH																				FS4-L1600 (R97)	FS9		
		2 RAIL					3 RAIL								4 RAIL										
		250 cm	300 cm	350 cm	400 cm	450 cm	500 cm	550 cm	600 cm	650 cm	700 cm	750 cm	800 cm	850 cm	900 cm	950 cm	1000 cm	1050 cm	1100 cm	1150 cm	1200 cm			1250 cm	1300 cm
PROJECTION	200 cm	€ 7.521	€ 7.842	€ 8.294	€ 8.759	€ 9.095	€ 10.453	€ 10.778	€ 11.105	€ 11.672	€ 11.956	€ 12.385	€ 12.708	€ 13.034	€ 13.359	€ 15.084	€ 15.405	€ 15.729	€ 16.052	€ 16.376	€ 16.640	€ 17.053	€ 17.523	€ 1.202	€ 242
	250 cm	€ 7.885	€ 8.364	€ 8.807	€ 9.154	€ 9.497	€ 10.950	€ 11.432	€ 11.767	€ 12.199	€ 12.492	€ 12.932	€ 13.409	€ 13.890	€ 14.077	€ 15.757	€ 16.090	€ 16.567	€ 16.899	€ 17.231	€ 17.503	€ 17.928	€ 18.406	€ 1.326	€ 292
	300 cm	€ 8.458	€ 8.990	€ 9.484	€ 9.886	€ 10.281	€ 11.862	€ 12.393	€ 12.779	€ 13.262	€ 13.599	€ 14.091	€ 14.618	€ 15.151	€ 15.390	€ 17.207	€ 17.590	€ 18.121	€ 18.501	€ 18.886	€ 19.200	€ 19.674	€ 20.199	€ 1.452	€ 343
	350 cm	€ 8.983	€ 9.376	€ 9.880	€ 10.439	€ 10.845	€ 12.519	€ 12.918	€ 13.458	€ 13.951	€ 14.294	€ 14.796	€ 15.336	€ 15.883	€ 16.124	€ 18.190	€ 18.583	€ 18.978	€ 19.368	€ 19.906	€ 20.227	€ 20.712	€ 21.101	€ 1.575	€ 393
	400 cm	€ 9.361	€ 9.763	€ 10.278	€ 10.848	€ 11.264	€ 13.035	€ 13.445	€ 13.993	€ 14.495	€ 14.849	€ 15.360	€ 15.907	€ 16.460	€ 16.717	€ 18.886	€ 19.289	€ 19.694	€ 20.094	€ 20.641	€ 20.970	€ 21.463	€ 21.866	€ 1.700	€ 443
	450 cm	€ 9.750	€ 10.163	€ 10.688	€ 11.267	€ 11.693	€ 13.565	€ 13.984	€ 14.543	€ 15.054	€ 15.415	€ 15.937	€ 16.494	€ 17.056	€ 17.322	€ 19.600	€ 20.012	€ 20.424	€ 20.837	€ 21.393	€ 21.727	€ 22.231	€ 22.642	€ 1.824	€ 493
	500 cm	€ 10.130	€ 10.554	€ 11.088	€ 11.678	€ 12.114	€ 14.087	€ 14.512	€ 15.082	€ 15.606	€ 15.972	€ 16.503	€ 17.071	€ 17.645	€ 17.918	€ 20.302	€ 20.724	€ 21.146	€ 21.566	€ 22.132	€ 22.475	€ 22.988	€ 23.410	€ 1.950	€ 543
	550 cm	€ 10.710	€ 11.336	€ 11.922	€ 12.565	€ 13.053	€ 15.153	€ 15.773	€ 16.249	€ 16.969	€ 17.382	€ 17.963	€ 18.581	€ 19.205	€ 19.675	€ 22.034	€ 22.527	€ 23.145	€ 23.615	€ 24.232	€ 24.616	€ 25.177	€ 25.794	€ 2.076	€ 593
	600 cm	€ 11.101	€ 11.736	€ 12.334	€ 12.985	€ 13.484	€ 15.683	€ 16.318	€ 16.802	€ 17.530	€ 17.951	€ 18.541	€ 19.170	€ 19.803	€ 20.284	€ 22.769	€ 23.250	€ 23.879	€ 24.360	€ 24.985	€ 25.375	€ 25.947	€ 26.574	€ 2.200	€ 643
	650 cm	€ 11.487	€ 12.135	€ 12.741	€ 13.402	€ 13.913	€ 16.210	€ 16.853	€ 17.348	€ 18.086	€ 18.451	€ 19.048	€ 19.684	€ 20.318	€ 20.812	€ 23.478	€ 23.971	€ 24.534	€ 25.099	€ 25.735	€ 26.132	€ 26.715	€ 27.349	€ 2.326	€ 693
	700 cm	€ 11.870	€ 12.528	€ 13.143	€ 13.817	€ 14.337	€ 16.737	€ 17.387	€ 17.895	€ 18.642	€ 19.012	€ 19.619	€ 20.264	€ 20.915	€ 21.412	€ 24.187	€ 24.687	€ 25.334	€ 25.835	€ 26.484	€ 26.886	€ 27.479	€ 28.122	€ 2.450	€ 743
750 cm	€ 12.927	€ 13.447	€ 14.072	€ 14.755	€ 15.284	€ 17.786	€ 18.447	€ 18.962	€ 19.721	€ 20.097	€ 20.711	€ 21.367	€ 22.025	€ 22.534	€ 25.965	€ 25.931	€ 26.587	€ 27.097	€ 27.752	€ 28.164	€ 28.766		€ 2.576	€ 1.073	
800 cm	€ 13.508	€ 14.080	€ 14.757	€ 15.494	€ 16.076	€ 18.707	€ 19.420	€ 19.985	€ 20.794	€ 21.212	€ 21.881	€ 22.585	€ 23.291	€ 23.854	€ 27.433	€ 27.448	€ 28.155	€ 28.715	€ 29.422	€ 29.876			€ 2.700	€ 1.123	
850 cm	€ 14.169	€ 14.812	€ 15.555	€ 16.359	€ 17.335	€ 19.789	€ 20.570	€ 21.199	€ 22.075	€ 22.554	€ 23.288	€ 24.058	€ 25.154	€ 25.786	€ 29.205	€ 29.284							€ 2.825	€ 1.173	
900 cm	€ 14.748	€ 15.445	€ 16.241	€ 17.100	€ 18.129	€ 20.710	€ 21.545	€ 22.224	€ 23.148	€ 23.669	€ 24.456	€ 25.274	€ 26.420	€ 27.106	€ 30.673	€ 30.802							€ 2.948	€ 1.223	
950 cm	€ 15.330	€ 16.080	€ 16.926	€ 17.839	€ 18.922	€ 21.633	€ 22.518	€ 23.247	€ 24.221	€ 24.785	€ 25.624	€ 26.492	€ 27.686	€ 28.426	€ 32.139	€ 32.318							€ 3.074	€ 1.273	
1000 cm	€ 15.910	€ 16.714	€ 17.611	€ 18.578	€ 19.714	€ 22.554	€ 23.491	€ 24.270	€ 25.294	€ 25.901	€ 26.791	€ 27.708	€ 28.952	€ 29.745	€ 33.607	€ 33.834							€ 3.198	€ 1.323	
FS5-A	€ 44	€ 56	€ 65	€ 75	€ 87	€ 96	€ 108	€ 117	€ 129	€ 139	€ 150	€ 160	€ 171	€ 181	€ 192	€ 202	€ 214	€ 223	€ 235	€ 244	€ 256	€ 266			
FS5-E	€ 61	€ 77	€ 90	€ 103	€ 119	€ 132	€ 148	€ 162	€ 178	€ 191	€ 207	€ 220	€ 236	€ 249	€ 265	€ 278	€ 294	€ 307	€ 323	€ 336	€ 352	€ 366			

FS5-A	Additional Fabric Support Profile (Standard)
FS4-L1600 (R97)	Additional Rail - Al. 110x160mm
FS9	Side Beam - Al. 50x150mm
FS8	Lighting System

		LED TYPE & MODULE		
		2 LED	3 LED	4 LED
FS8				
FS8-S	SPOT	€ 136	€ 165	€ 194
FS8-L	LINEAR	€ 194	€ 252	
FS8-L (RGB)	LINEAR (RGB)	€ 247	€ 320	

Notes:

- FS9-L1600 (Y64) Side Beam is included in the price for right and left side as a standard. For other option which is FS9 (Al. 50x150mm) doesn't apply any charge. But, please define on your technical drawing.
- If the projection is bigger than 700cm, a side beam pillar needs to be added up to rail, FS15-L1600-side beam pillar (100x100mm -Al) for 1600 series, included in the product price.
- FS Flexy Plain/3D or Stam 6002 is included in the price.
- Motor and Remote control is included in the price.
- Palmiye Aluminium Coating Catalogue includes the standard colours with no extra cost. For any other type/brand/color of paint, price difference and additional delivery duration shall be checked from your customer representative.
- Standard "Fabric support profile plastic colors" are specified in our Aluminium coating catalogue.

DEDUCTIONS

Price deduction is applicable only for pillars and beam. Deduction amount shall be consider as 70% of related option price.

included side beam pillar

OPTIONS			
FS10-L1600 (ALM-16)	Extra pillar (100x160mm Al.) for L1600 series	€ 362	pcs
FS10	Extra pillar (100x100mm Al.)	€ 540	pcs
FS10-ST3	Extra pillar (100x100x3mm St.)	€ 671	pcs
FS10-ST5	Extra pillar (100x100x5mm St.)	€ 978	pcs
FS11	Deco ceiling cover	€ 75	m ²
FS13-A	Wavy ceiling cover (for flexy fabric) (up to 350 cm width)	€ 38	m ²
FS15	Side beam pillar (50x100mm- Al)	€ 280	pcs
FS15-L1600 (ALM-11)	Side beam pillar (100x100mm- Al) for L1600 series	€ 355	pcs
FS19	Fix louver	€ 74	lm
FS23	External Square Downpipe	€ 330	pcs
FS24	W96 Ceiling Cover	€ 86	m ²
FS26	Exclusive fabric difference (up to 800cm width)	€ 51	m ²
FS29-1	Sun Sensor (SUNIS) (for single motor)	€ 625	pcs
FS29-1S	Sun Sensor (SUNIS) (for synchronized motor)	€ 989	pcs
FS29-2	Wind Sensor (EOLIS RTS) (for single motor)	€ 292	pcs
FS29-2S	Wind Sensor (EOLIS RTS) (for synchronized motor)	€ 657	pcs
FS29-3	Sun and Wind Sensor (SOLIRIS RTS) (for single motor)	€ 331	pcs
FS29-3S	Sun and Wind Sensor (SOLIRIS RTS) (for synchronized motor)	€ 696	pcs
FS29-4 ^{2/3}	Rain Sensor (ONDEIS) (for single motor)	€ 574	pcs
FS29-4S ^{2/3}	Rain Sensor (ONDEIS) (for synchronized motor)	€ 939	pcs
FS30	CONNEXOON	€ 525	pcs

Notes:

1. Fabric support profiles can be painted in the same color as the general construction. No fee is paid for this process. However, the plastic color should be specified from our standard plastic colours in Palmiye Colour Chart.
2. For one product, a dry contact transmitter costing 370€, must be added.
3. Up to 5 products, a RS485 Automation interface dry contact transmitter costing 1126€, must be added.

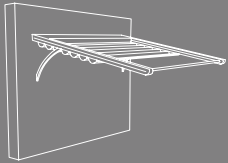
EXTENSIONS		
L1600 Rail - 110x160mm	€ 270	lm
Beam Profile (Al. 100x150mm)	€ 155	lm
Beam Profile (St. 100x150x3mm)	€ 320	lm
Beam Profile (St. 100x150x5mm)	€ 388	lm
Beam Profile (St. 100x200x3mm)	€ 324	lm
Beam Profile (St. 100x200x5mm)	€ 461	lm
Fabric protection cover (Al. - 63x___cm)	€ 60	m ²
L1600 Gutter	€ 105	lm

*Max. Al. Front pillar (Al. 100x160mm) height is 280cm.

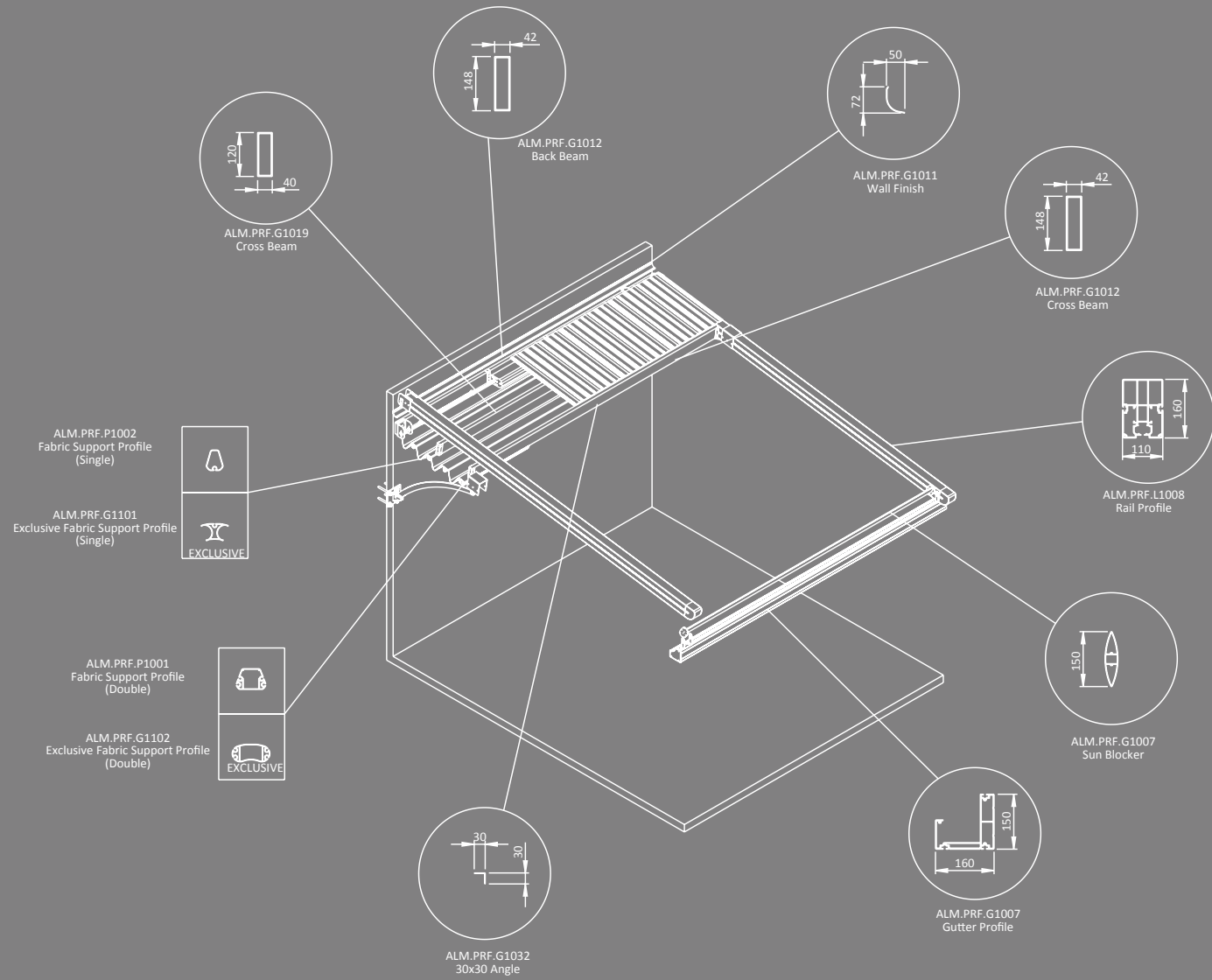
*Max. St 3mm. Front pillar (St. 100x100x3mm) height is 380cm.

*Max. St. 5mm Front pillar (St. 100x100x5mm) height is 480cm.

PRICE DIFFERENCE			
BEAM GROUP			
Back Beam	Standard	Al. 100x150mm	
	to	St. 100x150x3mm	€ 160 lm
		St. 100x150x5mm	€ 238 lm
		St. 100x200x3mm	€ 165 lm
		St. 100x200x5mm	€ 311 lm
PILLAR GROUP			
Front Pillar	Standard	Al. 100x160mm	
	to	Al. 100x100mm	€ 178 pcs
		St. 100x100x3mm	€ 197 pcs
		St. 100x100x5mm	€ 512 pcs
		St. 150x150x3mm	€ 787 pcs
St. 150x150x5mm	€ 1.288 pcs		
Back Pillar	Standard	Al. 100x100mm	
	to	St. 100x100x3mm	€ 111 pcs
		St. 100x100x5mm	€ 456 pcs
		St. 150x150x3mm	€ 696 pcs
		St. 150x150x5mm	€ 1.231 pcs



BRACKET SYSTEM TECHNICAL DETAILS



TECHNICAL DETAILS

WATER DRAIN&GUTTER CALCULATION

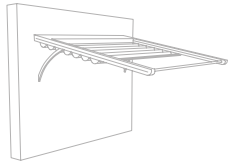
PRODUCT TYPE	MAX. M ²	USED PRODUCT TYPE
WATER DRAINAGE 45	34m ²	1200 Series Standard
WATER DRAINAGE 65	42m ²	Standard

*There should be at least one drainage, each 8 m length gutter.

MINIMUM SLOPE CHART

Slope	Rail Center											
	200	225	250	275	300	325	350	375	400	425	450	
6,4-7,9%	16	19	21	24	26	28	30	33	35	38	40	
7,4-8,8%	20	23	26	29	31	34	37	40	42	45	48	
8,4-9,7%	23	27	30	34	37	40	43	46	49	53	56	
9,4-10,8%	27	31	35	39	42	46	49	53	57	61	64	

*Note: Max. slope can be up to 25%
For back height of system 30 cm should be added to slope value.



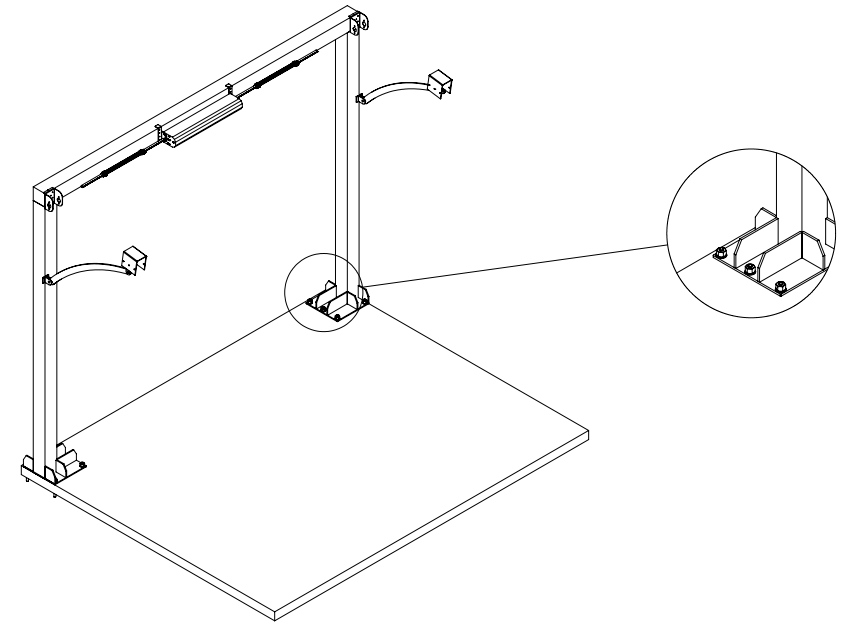
BRACKET SYSTEM

		WIDTH				
		2 RAIL				
		250 cm	300 cm	350 cm	400 cm	450 cm
PROJECTION	200 cm	€ 6.451	€ 6.768	€ 7.218	€ 7.679	€ 8.008
	250 cm	€ 6.720	€ 7.198	€ 7.638	€ 7.979	€ 8.315
	300 cm	€ 7.193	€ 7.727	€ 8.219	€ 8.616	€ 9.007
	350 cm	€ 7.624	€ 8.013	€ 8.516	€ 9.073	€ 9.475
	400 cm	€ 7.901	€ 8.301	€ 8.814	€ 9.382	€ 9.795
G22		€ 229	€ 237	€ 258	€ 285	€ 310
FS5-A		€ 44	€ 56	€ 65	€ 75	€ 87
FS5-E		€ 61	€ 77	€ 90	€ 103	€ 119
FS5-A		Additional Fabric Support Profile (Standard)				
FS8		Lighting System				

		LED TYPE & MODULE		
FS8		2 LED	3 LED	4 LED
FS8-S	SPOT	€ 136	€ 165	€ 194
FS8-L	LINEAR	€ 194	€ 252	
FS8-L (RGB)	LINEAR (RGB)	€ 247	€ 320	

Notes:

1. Modules can not be combined.
2. Side beam is not applicable.
3. FS Flexy Plain/3D or Stam 6002 is included in the price.
4. Motor and Remote control is included in the price.
5. Palmiye Aluminium Coating Catalogue includes the standard colours with no extra cost. For any other type/brand/color of paint, price difference and additional delivery duration shall be checked from your customer representative.
6. Standard "Fabric support profile plastic colors" are specified in our Aluminium coating catalogue.



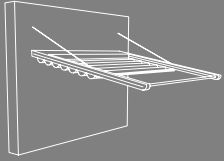
OPTIONS			
FS10-L1600 (ALM-16)	Extra pillar (100x160mm Al.) for L1600 series	€ 362	pcs
FS10	Extra pillar (100x100mm Al.)	€ 540	pcs
FS10-ST3	Extra pillar (100x100x3mm St.)	€ 671	pcs
FS10-ST5	Extra pillar (100x100x5mm St.)	€ 978	pcs
FS11	Deco ceiling cover	€ 75	m ²
FS13-A	Wavy ceiling cover (for flexy fabric) (up to 350 cm width)	€ 38	m ²
FS15	Side beam pillar (50x100mm - Al)	€ 280	pcs
FS15-L1600 (ALM-11)	Side beam pillar (100x100mm - Al) for L1600 series	€ 355	pcs
FS19	Fix louver	€ 74	lm
FS23	External Square Downpipe	€ 330	pcs
FS24	W96 Ceiling Cover	€ 86	m ²
FS26	Exclusive fabric difference (up to 800cm width)	€ 51	m ²
FS28-1	Stainless steel chain - 100 cm	€ 78	pcs
FS28-2	Stainless steel chain - 200 cm	€ 153	pcs
FS28-3	Stainless steel chain - 300 cm	€ 230	pcs
FS28-4	Stainless steel chain - 400 cm	€ 306	pcs
FS29-1	Sun Sensor (SUNIS) (for single motor)	€ 625	pcs
FS29-2	Wind Sensor (EOLIS RTS) (for single motor)	€ 292	pcs
FS29-3	Sun and Wind Sensor (SOLIRIS RTS) (for single motor)	€ 331	pcs
FS29-4 ^{2/3}	Rain Sensor (ONDEIS) (for single motor)	€ 574	pcs
FS30	CONNEXOON	€ 525	pcs
FS10-150ST3	Extra pillar (150x150x3mm St.)	€ 1.252	pcs
FS10-150ST5	Extra pillar (150x150x5mm St.)	€ 1.751	pcs

EXTENSIONS		
L1600 Rail - 110x160mm	€ 270	lm
Beam Profile (Al. 42x150mm)	€ 105	lm
Beam Profile (Al. 50x150mm)	€ 185	lm
Beam Profile (Al. 100x150mm)	€ 155	lm
Beam Profile (St. 100x150x3mm)	€ 320	lm
Beam Profile (St. 100x150x5mm)	€ 388	lm
Beam Profile (St. 100x200x3mm)	€ 324	lm
Beam Profile (St. 100x200x5mm)	€ 461	lm
Beam Profile (St. 150x150x3mm)	€ 439	lm
Beam Profile (St. 150x150x5mm)	€ 616	lm
Fabric protection cover (Al. -63x__cm)	€ 60	m ²
L1600 Gutter	€ 105	lm

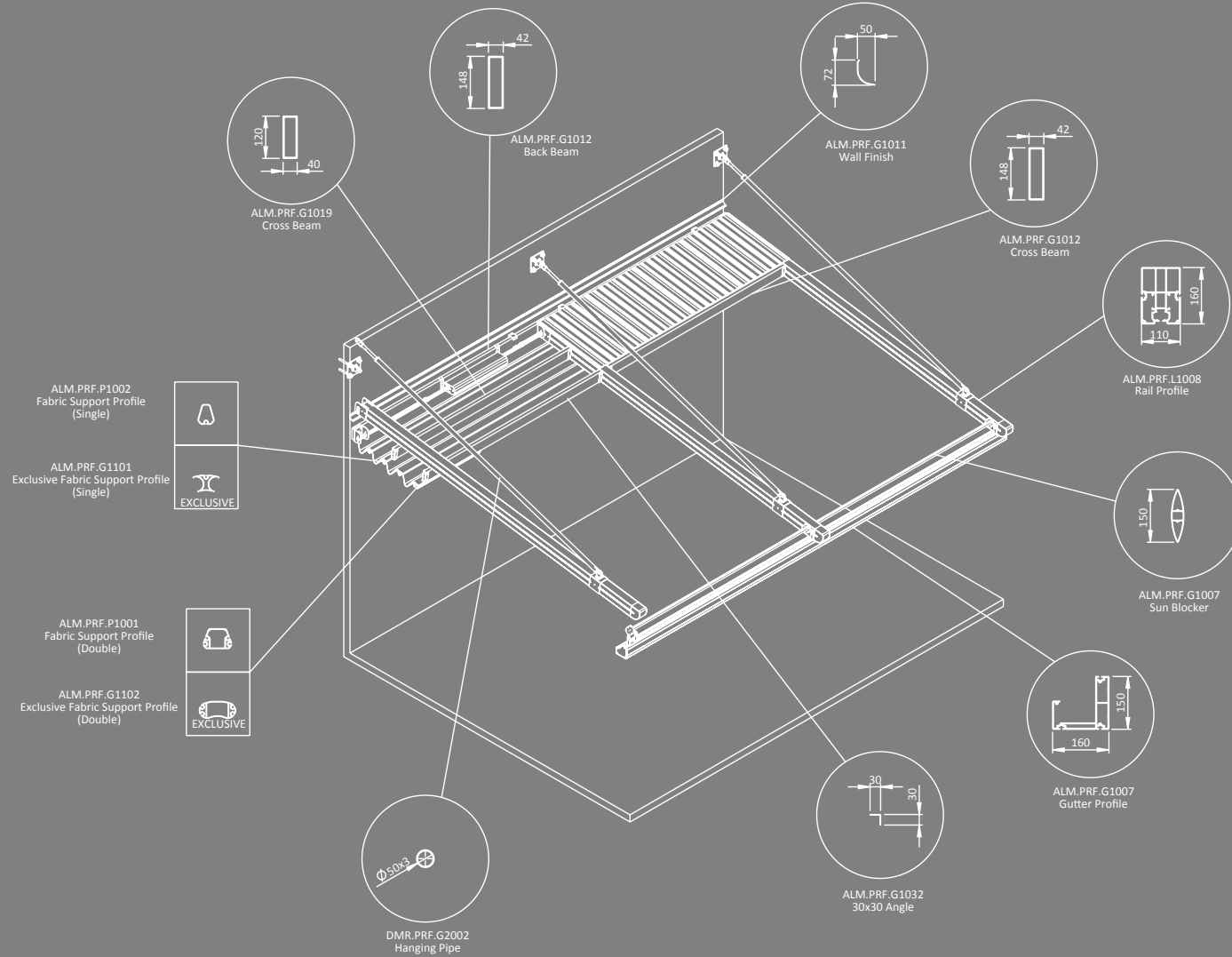
PRICE DIFFERENCE			
BEAM GROUP			
Standard	Al. 42x150mm		
Back Beam to	Al. 50x150mm	€ 81	lm
	St. 50x150x3mm	€ 104	lm
	St. 50x150x5mm	€ 192	lm
	Al. 100x150mm	€ 48	lm
	St. 100x150x3mm	€ 210	lm
	St. 100x150x5mm	€ 285	lm
	St. 100x200x3mm	€ 215	lm
	St. 100x200x5mm	€ 359	lm

Notes:

1. Fabric support profiles can be painted in the same color as the general construction. No fee is paid for this process. However, the plastic color should be specified from our standard plastic colours in Palmiye Colour Chart.
2. For one product, a dry contact transmitter costing 370€, must be added.
3. Up to 5 products, a RS485 Automation interface dry contact transmitter costing 1126€, must be added.
4. The prices in the main table are for wall mounted products. This model also can be made as freestanding. For freestanding applications "FS10-150ST3" or "FS10-150ST5" pillar options and "St. 150x150x3mm" or "St. 150x150x5mm" back beam options should be added to the main prices.



HANGING SYSTEM TECHNICAL DETAILS



TECHNICAL DETAILS

WATER DRAIN&GUTTER CALCULATION

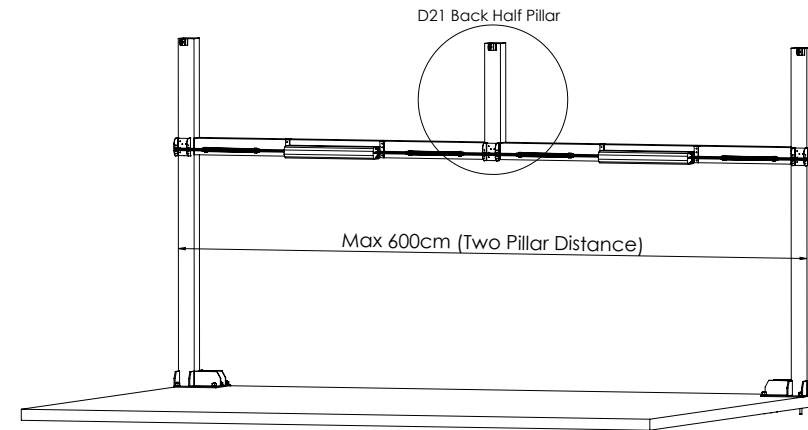
PRODUCT TYPE	MAX. M ²	USED PRODUCT TYPE
WATER DRAINAGE 45	34m ²	1200 Series Standard
WATER DRAINAGE 65	42m ²	Standard

*There should be at least one drainage, each 8 m length gutter.

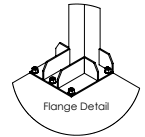
MINIMUM SLOPE CHART

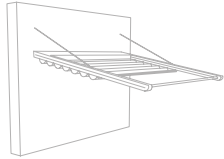
Slope	Rail Center										
	200	225	250	275	300	325	350	375	400	425	450
6.4-7.9%	16	19	21	24	26	28	30	33	35	38	40
7.4-8.8%	20	23	26	29	31	34	37	40	42	45	48
8.4-9.7%	23	27	30	34	37	40	43	46	49	53	56
9.4-10.8%	27	31	35	39	42	46	49	53	57	61	64
10.4-12%	32	36	40	44	48	52	56	60	64	69	73
11.2-12.7%	36	41	45	50	54	59	63	68	72	77	81
12-13.4%	40	45	50	55	60	65	70	75	80	85	90
13-14.5%	44	50	55	61	66	72	77	83	88	94	99
14-15.7%											
15-16.6%											
16-17.6%											

*Note: Max. slope can be up to 25%
For back height of system 30 cm should be added to slope value.



- This model includes 3m steel back beam and pillars.
- The front beam can not be produced in steel.
- Ground flanges are 380x380x15 mm.
- When pillar reduction is applied, half pillar must be installed at the back of each rail shaft, and all steel pillars should be 150x150x5 mm.
- In condition of adding an additional rail, a steel 150x150x3m back pillar should also be added.





HANGING SYSTEM

		WIDTH																						
		2 RAIL					3 RAIL							4 RAIL							FS4-L1600 (R97)			
		250 cm	300 cm	350 cm	400 cm	450 cm	500 cm	550 cm	600 cm	650 cm	700 cm	750 cm	800 cm	850 cm	900 cm	950 cm	1000 cm	1050 cm	1100 cm	1150 cm	1200 cm	1250 cm	1300 cm	
PROJECTION	200 cm	€ 6.484	€ 6.802	€ 7.254	€ 7.717	€ 8.047	€ 9.098	€ 9.420	€ 9.742	€ 10.313	€ 10.590	€ 11.019	€ 11.337	€ 11.657	€ 11.977	€ 13.407	€ 13.723	€ 14.045	€ 14.363	€ 14.683	€ 14.940	€ 15.351	€ 15.819	€ 1.202
	250 cm	€ 6.752	€ 7.232	€ 7.674	€ 8.017	€ 8.355	€ 9.506	€ 9.988	€ 10.317	€ 10.749	€ 11.037	€ 11.475	€ 11.954	€ 12.435	€ 12.612	€ 13.995	€ 14.322	€ 14.803	€ 15.130	€ 15.458	€ 15.723	€ 16.146	€ 16.622	€ 1.326
	300 cm	€ 7.229	€ 7.765	€ 8.258	€ 8.657	€ 9.050	€ 10.331	€ 10.864	€ 11.246	€ 11.732	€ 12.065	€ 12.558	€ 13.085	€ 13.620	€ 13.850	€ 15.376	€ 15.757	€ 16.289	€ 16.667	€ 17.049	€ 17.358	€ 17.832	€ 18.359	€ 1.452
	350 cm	€ 7.660	€ 8.051	€ 8.557	€ 9.118	€ 9.522	€ 10.898	€ 11.295	€ 11.836	€ 12.333	€ 12.671	€ 13.173	€ 13.714	€ 14.263	€ 14.497	€ 16.279	€ 16.668	€ 17.063	€ 17.449	€ 17.989	€ 18.305	€ 18.790	€ 19.179	€ 1.575
	400 cm	€ 7.938	€ 8.340	€ 8.857	€ 9.427	€ 9.842	€ 11.321	€ 11.727	€ 12.277	€ 12.783	€ 13.132	€ 13.645	€ 14.193	€ 14.747	€ 14.999	€ 16.886	€ 17.287	€ 17.692	€ 18.089	€ 18.638	€ 18.963	€ 19.456	€ 19.855	€ 1.700
	450 cm	€ 8.226	€ 8.639	€ 9.164	€ 9.747	€ 10.172	€ 11.752	€ 12.168	€ 12.730	€ 13.246	€ 13.603	€ 14.125	€ 14.685	€ 15.249	€ 15.508	€ 17.508	€ 17.918	€ 18.330	€ 18.740	€ 19.301	€ 19.630	€ 20.134	€ 20.541	€ 1.824
	500 cm	€ 8.507	€ 8.930	€ 9.466	€ 10.060	€ 10.496	€ 12.179	€ 12.603	€ 13.175	€ 13.704	€ 14.066	€ 14.599	€ 15.169	€ 15.746	€ 16.012	€ 18.121	€ 18.541	€ 18.965	€ 19.381	€ 19.951	€ 20.291	€ 20.804	€ 21.224	€ 1.950
550 cm	€ 8.789	€ 9.223	€ 9.770	€ 10.372	€ 10.819	€ 12.606	€ 13.039	€ 13.620	€ 14.161	€ 14.529	€ 15.072	€ 15.653	€ 16.243	€ 16.516	€ 18.734	€ 19.165	€ 19.597	€ 20.023	€ 20.604	€ 20.952	€ 21.476	€ 21.905	€ 2.076	
600 cm	€ 9.071	€ 9.515	€ 10.072	€ 10.685	€ 11.143	€ 13.033	€ 13.473	€ 14.065	€ 14.619	€ 14.994	€ 15.546	€ 16.136	€ 16.738	€ 17.020	€ 19.349	€ 19.789	€ 20.232	€ 20.664	€ 21.254	€ 21.613	€ 22.148	€ 22.585	€ 2.200	

G22	€ 251	€ 259	€ 282	€ 312	€ 340	€ 363	€ 391	€ 416	€ 442	€ 467	€ 601	€ 627	€ 655	€ 679	€ 708	€ 735	€ 759	€ 786	€ 811	€ 839	€ 863	€ 890
FS5-A	€ 44	€ 56	€ 65	€ 75	€ 87	€ 96	€ 108	€ 117	€ 129	€ 139	€ 150	€ 160	€ 171	€ 181	€ 192	€ 202	€ 214	€ 223	€ 235	€ 244	€ 256	€ 266
FS5-E	€ 61	€ 77	€ 90	€ 103	€ 119	€ 132	€ 148	€ 162	€ 178	€ 191	€ 207	€ 220	€ 236	€ 249	€ 265	€ 278	€ 294	€ 307	€ 323	€ 336	€ 352	€ 366

		LED TYPE & MODULE					
G22	L1600 Gutter System	FS8		2 LED	3 LED	4 LED	
FS5-A	Additional Fabric Support Profile (Standard)	FS8-S	SPOT	€ 136	€ 165	€ 194	
FS4-L1600 (R97)	Additional Rail - Al. 110x160mm	FS8-L	LINEAR	€ 194	€ 252		
FS8	Lighting System	FS8-L (RGB)	LINEAR (RGB)	€ 247	€ 320		

Notes:

1. FS Flexy Plain/3D or Stam 6002 is included in the price.
2. Motor and Remote control is included in the price.
3. Palmiye Aluminium Coating Catalogue includes the standard colours with no extra cost. For any other type/brand/color of paint, price difference and additional delivery duration shall be checked from your customer representative.
4. Standard "Fabric support profile plastic colors" are specified in our Aluminium coating catalogue.

OPTIONS

FS10-L1600 (ALM-16)	Extra pillar (100x160mm Al.) for L1600 series	€ 362	pcs
FS10	Extra pillar (100x100mm Al.)	€ 540	pcs
FS10-ST3	Extra pillar (100x100x3mm St.)	€ 671	pcs
FS10-ST5	Extra pillar (100x100x5mm St.)	€ 978	pcs
FS11	Deco ceiling cover	€ 75	m ²
FS13-A	Wavy ceiling cover (for flexy fabric) (up to 350 cm width)	€ 38	m ²
FS15	Side beam pillar (50x100mm - Al)	€ 280	pcs
FS15-L1600 (ALM-11)	Side beam pillar (100x100mm - Al) for L1600 series	€ 355	pcs
FS19	Fix louver	€ 74	lm
FS23	External Square Downpipe	€ 330	pcs
FS24	W96 Ceiling Cover	€ 86	m ²
FS26	Exclusive fabric difference (up to 800cm width)	€ 51	m ²
FS28-1	Stainless steel chain - 100 cm	€ 78	1m
FS28-2	Stainless steel chain - 200 cm	€ 153	2m
FS28-3	Stainless steel chain - 300 cm	€ 230	3m
FS28-4	Stainless steel chain - 400 cm	€ 306	4m
FS29-1	Sun Sensor (SUNIS) (for single motor)	€ 625	pcs
FS29-1S	Sun Sensor (SUNIS) (for synchronized motor)	€ 989	pcs
FS29-2	Wind Sensor (EOLIS RTS) (for single motor)	€ 292	pcs
FS29-2S	Wind Sensor (EOLIS RTS) (for synchronized motor)	€ 657	pcs
FS10-150ST5	Extra pillar (150x150x5mm St.)	€ 1.751	pcs

EXTENSIONS

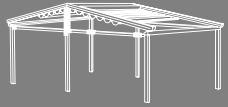
L1600 Rail - 110x160mm	€ 270	lm
Beam Profile (Al. 42x150mm)	€ 105	lm
Beam Profile (Al. 50x150mm)	€ 185	lm
Beam Profile (Al. 100x150mm)	€ 155	lm
Beam Profile (St. 100x150x3mm)	€ 320	lm
Beam Profile (St. 100x150x5mm)	€ 388	lm
Beam Profile (St. 100x200x3mm)	€ 324	lm
Beam Profile (St. 100x200x5mm)	€ 461	lm
Beam Profile (St. 150x150x3mm)	€ 439	lm
Beam Profile (St. 150x150x5mm)	€ 616	lm
Fabric protection cover (Al. - 63x__cm)	€ 60	m ²
L1600 Gutter	€ 105	lm

PRICE DIFFERENCE

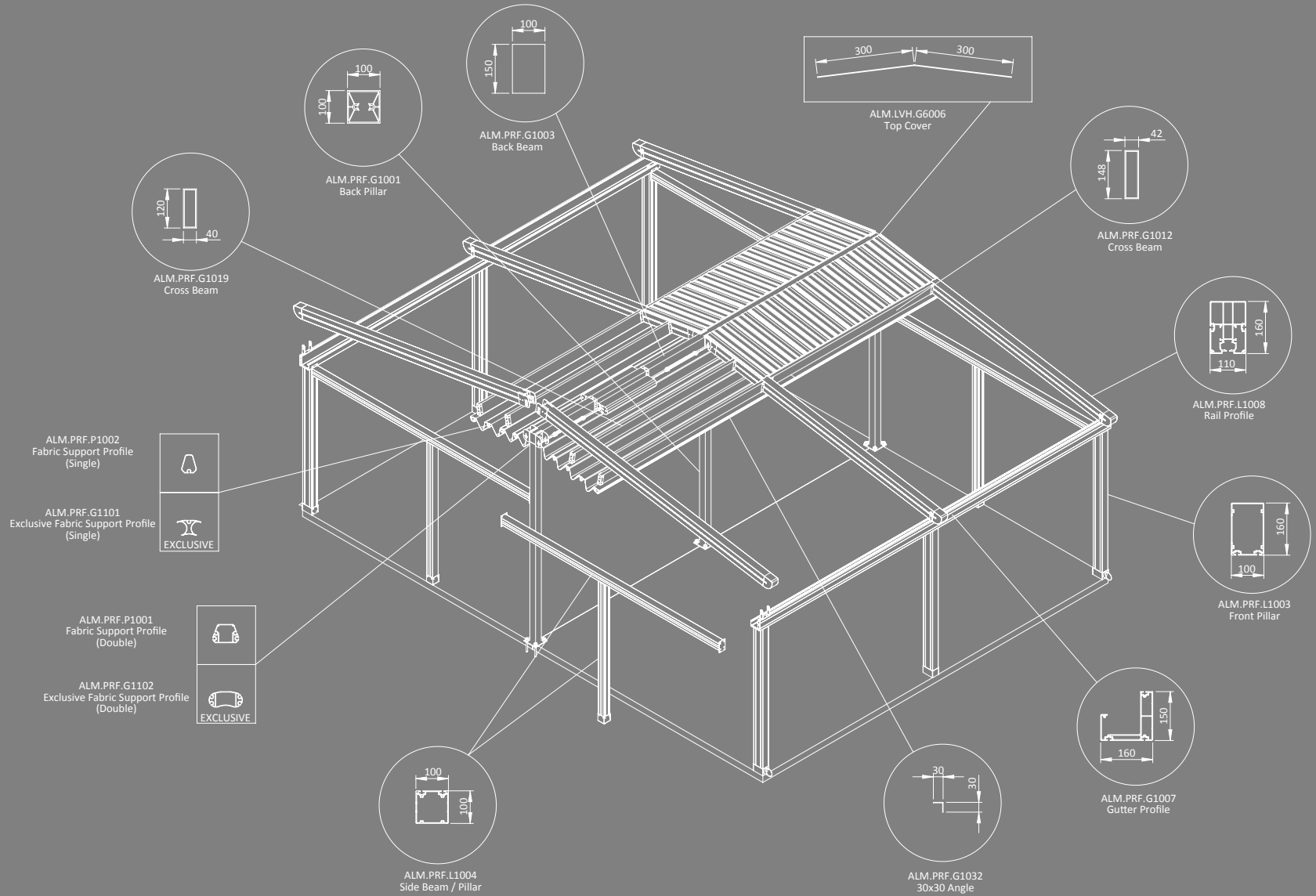
		BEAM GROUP	
Standard	Al. 42x150mm		
Back Beam to	Al. 50x150mm	€ 81	lm
	St. 50x150x3mm	€ 104	lm
	St. 50x150x5mm	€ 192	lm
	Al. 100x150mm	€ 48	lm
	St. 100x150x3mm	€ 210	lm
	St. 100x150x5mm	€ 285	lm
	St. 100x200x3mm	€ 215	lm
	St. 100x200x5mm	€ 359	lm

Notes:

1. Fabric support profiles can be painted in the same color as the general construction. No fee is paid for this process. However, the plastic color should be specified from our standard plastic colours in Palmiye Colour Chart.
2. For one product, a dry contact transmitter costing 370€, must be added.
3. Up to 5 products, a RS485 Automation interface dry contact transmitter costing 1126€, must be added.
4. The prices in the main table are for wall mounted products. This model also can be made as freestanding. For freestanding applications "FS10-150ST3" or "FS10-150ST5" pillar options and "St. 150x150x3mm" or "St. 150x150x5mm" back beam options should be added to the main prices.



TWIN STANDING SYSTEM WITH FRONT PILLAR



Freestanding products must have flanges on the pillars.

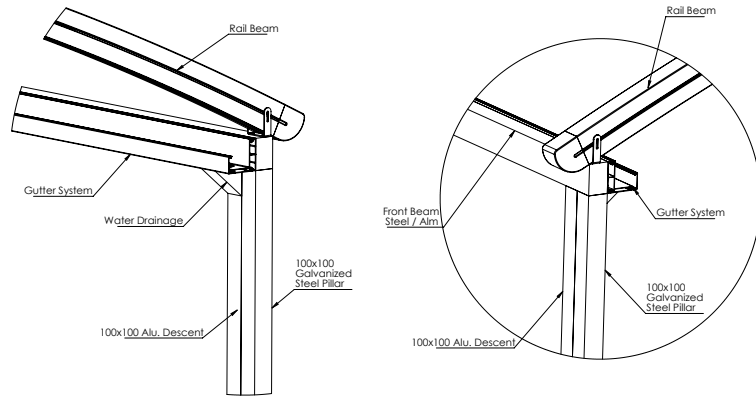
TECHNICAL DETAILS

WATER DRAIN&GUTTER CALCULATION

PRODUCT TYPE	MAX. M²	USED PRODUCT TYPE
WATER DRAINAGE 45	34m²	1200 Series Standard
WATER DRAINAGE 65	42m²	Standard

*There should be at least one drainage, each 8 m length gutter.

APPLICATION FORM IN STEEL FRONT BEAM AND DEVICE



* In use of aluminum front pillar of 100*100 and front beam of 100*150 water drain, is applied from the available pillar. No external descent is applied.

MINIMUM SLOPE CHART

Slope	Rail Center										
	200	225	250	275	300	325	350	375	400	425	450
6,4-7,9%	16	19	21	24	26	28	30	33	35	38	40
7,4-8,8%	20	23	26	29	31	34	37	40	42	45	48
8,4-9,7%	23	27	30	34	37	40	43	46	49	53	56
9,4-10,8%	27	31	35	39	42	46	49	53	57	61	64
10,4-12%	32	36	40	44	48	52	56	60	64	69	73
11,2-12,7%	36	41	45	50	54	59	63	68	72	77	81
12-13,4%	40	45	50	55	60	65	70	75	80	85	90
13-14,5%	44	50	55	61	66	72	77	83	88	94	99
14-15,7%	49	55	61	67	72	78	84	90	96	102	108
15-16,6%	54	60	66	73	79	85	91	98	104	111	117
16-17,6%	59	66	72	79	85	92	99	106	112	119	126
	63	70	77	85	92	99	106	114	121	129	136
	67	75	82	91	99	106	113	122	130	138	146
	71	79	87	97	106	113	120	130	139	148	156
	75	84	92	103	113	120	127	138	148	157	166
	79	88	97	109	120	127	134	146	157	167	176

*Note: Max. slope can be up to 25%
For back height of system 30 cm should be added to slope value.

TERMS OF USE OF MIDDLE PILLAR AND BEAM FOR TWIN STANDING SYSTEM (STANDART)

PROJECTION	PRODUCT WIDTH																	
	450	500	550	600	650	700	750	800	850	900	950	1000	1050	1100	1150	1200	1250	1300
800	A	A	A	A	A	A	A	A	A	A	A	A	A	A	A	A	A	A
900	A	A	A	A	A	A	A	A	A	A	A	A	A	A	A	A	A	A
1000	A	A	A	A	A	A	A	A	A	A	A	A	A	A	A	A	A	A
1100	A	A	A	A	A	A	A	A	A	A	A	A	A	A	A	A	A	A
1200	A	A	A	A	A	A	A	A	A	A	A	A	A	A	A	A	A	A
1300	A	A	A	A	A	A	A	A	A	A	A	A	A	A	A	A	A	A
1400	A	A	A	A	A	A	A	A	A	A	A	A	A	A	A	A	A	A
1500	A	A	A	A	A	A	A	A	A	A	A	A	A	A	A	A	A	A
1600	A	A	A	A	A	A	A	A	A	A	A	A	A	A	A	A	A	A
1700	A	A	A	A	A	A	A	A	A	A	A	A	A	A	A	A	A	A
1800	A	A	A	A	A	A	B	B	B	B	B	B	B	B	B	B	B	B
1900	A	A	A	A	A	B	B	B	B	B	B	B	B	B	B	B	B	B
2000	A	A	A	A	B	B	B	B	B	B	B	B	B	B	B	B	B	B
	GROUND FLANGE BACK PILLAR BACK BEAM	A	200*200*10 FLANGE ALU 100*100 ALU				B	200*200*10 FLANGE G.S 100*100*3MM G.S										

* Price of middle pillar and beam is included in the list price for twin standing system.

TERMS OF USE OF MIDDLE PILLAR AND BEAM

PROJECTION	OUT TO OUT PILLAR SIZE						
	500	550	600	700	750	800	900
800	B	B	B	C	D	D	D
1000	B	B	B	C	D	D	D
1200	B	B	C	C	D	D	D
1400	B	C	C	C	D	D	D
1600	C	C	C	C	D	D	D
1800	C	C	C	D	D	D	D
2000	C	D	D	D	D	D	D
F PILLAR F BEAM	B	100*100 ALU 100*150 ALU	C	100*100*3 G.S 100*150*3 G.S	D	100*100*5 G.S 100*200*5 G.S	

* Use of middle pillar and beam should be additionally priced.
* Floor mounting of the pillar is performed with flange of 200*200*10 mm or ground anchor.
* Maximum height is 4m for aluminum middle pillars and 5m for steel middle pillars.

TERMS OF USE OF FRONT PILLAR AND BEAM

PROJECTION	OUT TO OUT PILLAR SIZE					
	450	550	600	650	700	
800	A	A	B	B	C	
1000	A	A	B	B	C	
1200	A	A	B	C	C	
1400	A	B	B	C	C	
1600	A	B	C	C	C	
1800	A	B	C	C	C	
2000	A	B	C	C	C	
F PILLAR F BEAM	A	100*100 ALU 100*150 ALU	B	100*100*3 G.S 100*150*3 G.S	C	100*100*5 G.S 100*200*5 G.S

* Use of front pillar and beam should be additionally priced.
* Ground mounting of the pillar is performed with flange of 200x200x10 or 100x100 stainless ground anchor.
* Application is made behind the gutter system.
* Maximum height is 4m for aluminum front pillars and 5m for steel front pillars.
* If front pillar and beam is made of steel, water drain is given from empty aluminum box profile of 100*100.



TWIN STANDING SYSTEM WITH FRONT PILLAR

		WIDTH																				FS4-L1600 (R97)		
		2 RAIL					3 RAIL										4 RAIL							
		250 cm	300 cm	350 cm	400 cm	450 cm	500 cm	550 cm	600 cm	650 cm	700 cm	750 cm	800 cm	850 cm	900 cm	950 cm	1000 cm	1050 cm	1100 cm	1150 cm	1200 cm		1250 cm	1300 cm
PROJECTION	400 cm	€ 10.462	€ 10.959	€ 11.593	€ 12.295	€ 14.127	€ 14.863	€ 15.362	€ 16.041	€ 16.659	€ 17.087	€ 17.687	€ 18.363	€ 20.709	€ 21.199	€ 21.921	€ 22.410	€ 22.904	€ 23.391	€ 24.069	€ 24.464	€ 25.071	€ 25.561	€ 1.700
	450 cm	€ 10.824	€ 11.334	€ 11.981	€ 12.697	€ 14.656	€ 15.407	€ 15.918	€ 16.609	€ 17.240	€ 17.678	€ 18.291	€ 18.979	€ 21.461	€ 21.964	€ 22.698	€ 23.200	€ 23.704	€ 24.206	€ 24.896	€ 25.298	€ 25.918	€ 26.419	€ 1.824
	500 cm	€ 11.180	€ 11.702	€ 12.363	€ 13.092	€ 15.180	€ 15.943	€ 16.463	€ 17.167	€ 17.814	€ 18.259	€ 18.886	€ 19.587	€ 22.203	€ 22.719	€ 23.466	€ 23.981	€ 24.498	€ 25.011	€ 25.711	€ 26.126	€ 26.758	€ 27.271	€ 1.950
	550 cm	€ 11.793	€ 12.574	€ 13.300	€ 14.098	€ 16.348	€ 17.178	€ 17.948	€ 18.532	€ 19.429	€ 19.933	€ 20.623	€ 21.392	€ 24.106	€ 24.714	€ 25.552	€ 26.160	€ 26.926	€ 27.505	€ 28.270	€ 28.735	€ 29.432	€ 30.195	€ 2.076
	600 cm	€ 12.161	€ 12.955	€ 13.696	€ 14.504	€ 16.883	€ 17.725	€ 18.513	€ 19.108	€ 20.016	€ 20.530	€ 21.233	€ 22.012	€ 24.950	€ 25.541	€ 26.363	€ 26.955	€ 27.734	€ 28.326	€ 29.103	€ 29.578	€ 30.286	€ 31.062	€ 2.200
	650 cm	€ 12.519	€ 13.328	€ 14.081	€ 14.901	€ 17.405	€ 18.264	€ 19.063	€ 19.672	€ 20.591	€ 21.036	€ 21.745	€ 22.535	€ 25.691	€ 26.299	€ 27.135	€ 27.743	€ 28.438	€ 29.137	€ 29.927	€ 30.411	€ 31.131	€ 31.919	€ 2.326
	700 cm	€ 12.880	€ 13.698	€ 14.463	€ 15.301	€ 17.937	€ 18.806	€ 19.613	€ 20.239	€ 21.172	€ 21.620	€ 22.346	€ 23.147	€ 26.449	€ 27.066	€ 27.913	€ 28.529	€ 29.332	€ 29.948	€ 30.753	€ 31.244	€ 31.978	€ 32.777	€ 2.450
	750 cm	€ 13.241	€ 14.073	€ 14.851	€ 15.698	€ 18.466	€ 19.347	€ 20.169	€ 20.802	€ 21.751	€ 22.208	€ 22.943	€ 23.758	€ 27.200	€ 27.829	€ 28.688	€ 29.317	€ 30.132	€ 30.761	€ 31.576	€ 32.079	€ 32.824	€ 33.635	€ 2.576
	800 cm	€ 13.721	€ 14.576	€ 15.374	€ 16.239	€ 19.165	€ 20.066	€ 20.909	€ 21.558	€ 22.532	€ 23.000	€ 23.751	€ 24.587	€ 28.206	€ 28.853	€ 29.730	€ 30.379	€ 31.214	€ 31.862	€ 32.693	€ 33.213	€ 33.975	€ 34.807	€ 2.700
	850 cm	€ 16.220	€ 16.997	€ 17.985	€ 19.079	€ 19.869	€ 23.041	€ 23.813	€ 24.869	€ 25.831	€ 26.492	€ 27.368	€ 28.420	€ 29.480	€ 29.952	€ 33.925	€ 34.688	€ 35.451	€ 36.210	€ 37.261	€ 37.871	€ 38.816	€ 39.574	€ 2.825
	900 cm	€ 16.511	€ 17.299	€ 18.296	€ 19.399	€ 20.200	€ 23.472	€ 24.256	€ 25.321	€ 26.292	€ 26.960	€ 27.848	€ 28.908	€ 29.980	€ 30.458	€ 34.541	€ 35.311	€ 36.083	€ 36.855	€ 37.915	€ 38.530	€ 39.484	€ 40.253	€ 2.950
	950 cm	€ 16.797	€ 17.594	€ 18.602	€ 19.717	€ 20.527	€ 23.899	€ 24.691	€ 25.765	€ 26.749	€ 27.423	€ 28.320	€ 29.391	€ 30.474	€ 30.960	€ 35.149	€ 35.930	€ 36.711	€ 37.490	€ 38.560	€ 39.184	€ 40.147	€ 40.926	€ 3.074
	1000 cm	€ 17.083	€ 17.891	€ 18.909	€ 20.033	€ 20.854	€ 24.326	€ 25.125	€ 26.210	€ 27.205	€ 27.886	€ 28.792	€ 29.873	€ 30.969	€ 31.462	€ 35.756	€ 36.546	€ 37.338	€ 38.124	€ 39.206	€ 39.838	€ 40.812	€ 41.600	€ 3.198
	1050 cm	€ 17.569	€ 18.577	€ 19.647	€ 20.823	€ 21.695	€ 25.296	€ 26.290	€ 27.280	€ 28.472	€ 29.200	€ 30.156	€ 31.287	€ 32.432	€ 33.122	€ 37.390	€ 38.253	€ 39.241	€ 40.078	€ 41.209	€ 41.881	€ 42.905	€ 43.888	€ 3.324
	1100 cm	€ 18.053	€ 19.263	€ 20.384	€ 21.615	€ 22.539	€ 26.265	€ 27.455	€ 28.352	€ 29.739	€ 30.513	€ 31.517	€ 32.702	€ 33.896	€ 34.784	€ 39.025	€ 39.958	€ 41.143	€ 42.033	€ 43.212	€ 43.925	€ 44.996	€ 46.175	€ 3.448
	1050 cm	€ 18.346	€ 19.567	€ 20.700	€ 21.940	€ 22.873	€ 26.699	€ 27.902	€ 28.808	€ 30.204	€ 30.985	€ 32.000	€ 33.194	€ 34.398	€ 35.295	€ 39.665	€ 40.587	€ 41.781	€ 42.680	€ 43.868	€ 44.588	€ 45.669	€ 46.860	€ 3.573
	1200 cm	€ 18.640	€ 19.871	€ 21.018	€ 22.264	€ 23.207	€ 27.135	€ 28.349	€ 29.266	€ 30.667	€ 31.457	€ 32.482	€ 33.685	€ 34.900	€ 35.808	€ 40.305	€ 41.214	€ 42.417	€ 43.327	€ 44.526	€ 45.253	€ 46.343	€ 47.542	€ 3.696
	1050 cm	€ 18.925	€ 20.171	€ 21.324	€ 22.580	€ 23.536	€ 27.561	€ 28.785	€ 29.712	€ 31.124	€ 31.859	€ 32.888	€ 34.100	€ 35.317	€ 36.237	€ 40.914	€ 41.836	€ 42.973	€ 43.966	€ 45.174	€ 45.909	€ 47.010	€ 48.220	€ 3.822
	1300 cm	€ 19.211	€ 20.470	€ 21.629	€ 22.896	€ 23.865	€ 27.988	€ 29.223	€ 30.159	€ 31.582	€ 32.259	€ 33.296	€ 34.514	€ 35.733	€ 36.666	€ 41.525	€ 42.458	€ 43.530	€ 44.606	€ 45.825	€ 46.567	€ 47.676	€ 48.895	€ 3.946
	1050 cm	€ 19.501	€ 20.764	€ 21.937	€ 23.216	€ 24.192	€ 28.419	€ 29.659	€ 30.608	€ 32.039	€ 32.722	€ 33.771	€ 34.999	€ 36.232	€ 37.168	€ 42.138	€ 43.078	€ 44.233	€ 45.246	€ 46.475	€ 47.222	€ 48.345	€ 49.571	€ 4.071
1400 cm	€ 19.789	€ 21.061	€ 22.242	€ 23.534	€ 24.519	€ 28.847	€ 30.097	€ 31.058	€ 32.499	€ 33.185	€ 34.246	€ 35.485	€ 36.732	€ 37.670	€ 42.751	€ 43.698	€ 44.937	€ 45.886	€ 47.128	€ 47.880	€ 49.015	€ 50.248	€ 4.197	
1450 cm	€ 21.167	€ 22.449	€ 23.641	€ 24.940	€ 25.935	€ 30.365	€ 31.625	€ 32.594	€ 34.047	€ 34.740	€ 35.807	€ 37.056	€ 38.311	€ 39.262	€ 44.451	€ 45.411	€ 46.658	€ 47.616	€ 48.867	€ 49.627	€ 50.771		€ 4.321	
1500 cm	€ 21.455	€ 22.747	€ 23.950	€ 25.258	€ 26.262	€ 30.796	€ 32.063	€ 33.041	€ 34.506	€ 35.205	€ 36.281	€ 37.539	€ 38.801	€ 39.764	€ 45.064	€ 46.033	€ 47.291	€ 48.258	€ 49.516	€ 50.286	€ 51.435		€ 4.447	
1550 cm	€ 21.941	€ 23.288	€ 24.541	€ 25.901	€ 26.961	€ 31.624	€ 32.944	€ 33.970	€ 35.485	€ 36.227	€ 37.355	€ 38.661	€ 39.973	€ 40.990	€ 46.439	€ 47.456	€ 48.765	€ 49.782	€ 51.090	€ 51.904			€ 4.569	
1600 cm	€ 22.431	€ 23.830	€ 25.135	€ 26.548	€ 27.662	€ 32.453	€ 33.825	€ 34.901	€ 36.467	€ 37.251	€ 38.431	€ 39.785	€ 41.147	€ 42.218	€ 47.813	€ 48.880	€ 50.242	€ 51.307	€ 52.668	€ 53.523			€ 4.695	
1650 cm	€ 22.920	€ 24.395	€ 25.776	€ 27.274	€ 28.464	€ 33.330	€ 34.783	€ 35.932	€ 37.576	€ 38.427	€ 39.733	€ 41.167	€ 42.604	€ 43.753	€ 49.452	€ 50.592							€ 4.821	
1700 cm	€ 23.412	€ 24.961	€ 26.418	€ 27.998	€ 29.266	€ 34.209	€ 35.739	€ 36.963	€ 38.686	€ 39.601	€ 41.038	€ 42.546	€ 44.060	€ 45.288	€ 51.090	€ 52.302							€ 4.948	
1750 cm	€ 23.905	€ 25.508	€ 27.018	€ 28.652	€ 29.976	€ 35.049	€ 36.635	€ 37.907	€ 39.682	€ 40.639	€ 42.130	€ 43.688	€ 45.252	€ 46.535	€ 52.488	€ 53.750							€ 5.074	
1800 cm	€ 24.398	€ 26.057	€ 27.617	€ 29.306	€ 30.684	€ 35.891	€ 37.528	€ 38.852	€ 40.677	€ 41.680	€ 43.202	€ 44.743	€ 46.387	€ 47.729	€ 53.750	€ 55.022							€ 5.202	
1850 cm	€ 24.892	€ 26.604	€ 28.217	€ 29.962	€ 31.393	€ 36.731	€ 38.422	€ 39.796	€ 41.671	€ 42.738	€ 44.294	€ 45.861	€ 47.533	€ 48.826	€ 54.826	€ 56.122							€ 5.329	
1900 cm	€ 25.385	€ 27.152	€ 28.818	€ 30.616	€ 32.102	€ 37.573	€ 39.315	€ 40.741	€ 42.666	€ 43.748	€ 45.333	€ 46.937	€ 48.641	€ 49.973	€ 55.973	€ 57.274							€ 5.455	
1950 cm	€ 25.878	€ 27.699	€ 29.416	€ 31.270	€ 32.812	€ 38.413	€ 40.211	€ 41.685	€ 43.661	€ 44.748	€ 46.378	€ 48.069	€ 49.823	€ 51.169	€ 57.274	€ 58.582							€ 5.582	
2000 cm	€ 28.720	€ 30.771	€ 32.704	€ 34.788	€ 36.534	€ 42.800	€ 44.821	€ 46.489	€ 48.704	€ 50.267	€ 52.216	€ 54.228	€ 56.245	€ 57.981	€ 65.274	€ 66.964							€ 6.240	
FS5-A	€ 44	€ 56	€ 65	€ 75	€ 87	€ 96	€ 108	€ 117	€ 129	€ 139	€ 150	€ 160	€ 171	€ 181	€ 192	€ 202	€ 214	€ 223	€ 235	€ 244	€ 256	€ 266		
FS5-E	€ 61	€ 77	€ 90	€ 103	€ 119	€ 132	€ 148	€ 162	€ 178	€ 191	€ 207	€ 220	€ 236	€ 249	€ 265	€ 278	€ 294	€ 307	€ 323	€ 336	€ 352	€ 366		

Notes:

- FS9-L1600 (Y64) Side Beam is included in the price for right and left side as a standard. For other option which is FS9 (Al. 50x150mm) doesn't apply any charge. But, please define on your technical drawing.
- If the projection is bigger than 700cm, a side beam pillar needs to be added up to rail, FS15-L1600-side beam pillar (100x100mm -Al) for 1600 series, included in the product price.
- FS Flexy Plain/3D or Stam 6002 is included in the price.
- Motor and Remote control is included in the price.
- Palmye Aluminium Coating Catalogue includes the standard colours with no extra cost. For any other type/brand/color of paint, price difference and additional delivery duration shall be checked from your customer representative.
- Standard "Fabric support profile plastic colors" are specified in our Aluminium coating catalogue.

DEDUCTIONS

Price deduction is applicable only for pillars and beam. Deduction amount shall be consider as 70% of related option price.

FS5-A	Additional Fabric Support Profile (Standard)
FS4-L1600 (R97)	Additional Rail - Al. 110x160mm
FS8	Lighting System

LED TYPE & MODULE

FS8		2 LED	3 LED	4 LED
FS8-S	SPOT	€ 136	€ 165	€ 194
FS8-L	LINEAR	€ 194	€ 252	
FS8-LR	LINEAR (RGB)	€ 247	€ 320	

OPTIONS

FS10-L1600 (ALM-16)	Extra pillar (100x160mm Al.) for L1600 series	€ 362	pcs
FS10	Extra pillar (100x100mm Al.)	€ 540	pcs
FS10-ST3	Extra pillar (100x100x3mm St.)	€ 671	pcs
FS10-ST5	Extra pillar (100x100x5mm St.)	€ 978	pcs
FS11	Deco ceiling cover	€ 75	m²
FS13-A	Wavy ceiling cover (for flexy fabric) (up to 350 cm width)	€ 38	m²
FS15	Side beam pillar (50x100mm - Al)	€ 280	pcs
FS15-L1600 (ALM-11)	Side beam pillar (100x100mm - Al) for L1600 series	€ 355	pcs
FS19	Fix louver	€ 74	lm
FS23	External Square Downpipe	€ 330	pcs
FS24	W96 Ceiling Cover	€ 86	m²
FS26	Exclusive fabric difference (up to 800cm width)	€ 51	m²
FS29-1	Sun Sensor (SUNIS) (for single motor)	€ 625	pcs
FS29-1S	Sun Sensor (SUNIS) (for synchronized motor)	€ 989	pcs
FS29-2	Wind Sensor (EOLIS RTS) (for single motor)	€ 292	pcs
FS29-2S	Wind Sensor (EOLIS RTS) (for synchronized motor)	€ 657	pcs
FS29-3	Sun and Wind Sensor (SOLIRIS RTS) (for single motor)	€ 331	pcs
FS29-3S	Sun and Wind Sensor (SOLIRIS RTS) (for synchronized motor)	€ 696	pcs
FS29-4	* Rain Sensor (ONDEIS) (for single motor)	€ 574	pcs
FS29-4S	* Rain Sensor (ONDEIS) (for synchronized motor)	€ 939	pcs
FS30	CONNEXOON	€ 525	pcs

EXTENSIONS

L1600 Rail - 110x160mm	€ 270	lm
Beam Profile (Al. 42x150mm)	€ 105	lm
Beam Profile (Al. 50x150mm)	€ 185	lm
Beam Profile (Al. 100x150mm)	€ 155	lm
Beam Profile (St. 100x150x3mm)	€ 320	lm
Beam Profile (St. 100x150x5mm)	€ 388	lm
Beam Profile (St. 100x200x3mm)	€ 324	lm
Beam Profile (St. 100x200x5mm)	€ 461	lm
Fabric protection cover (Al. - 63x__cm)	€ 60	m²
L1600 Gutter	€ 105	lm

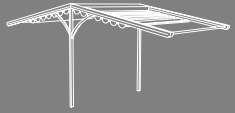
*Max. Al. Front pillar (Al. 100x160mm) height is 280cm.
 *Max. St 3mm. Front pillar (St. 100x100x3mm) height is 380cm.
 *Max. St. 5mm Front pillar (St. 100x100x5mm) height is 480cm.

PRICE DIFFERENCE

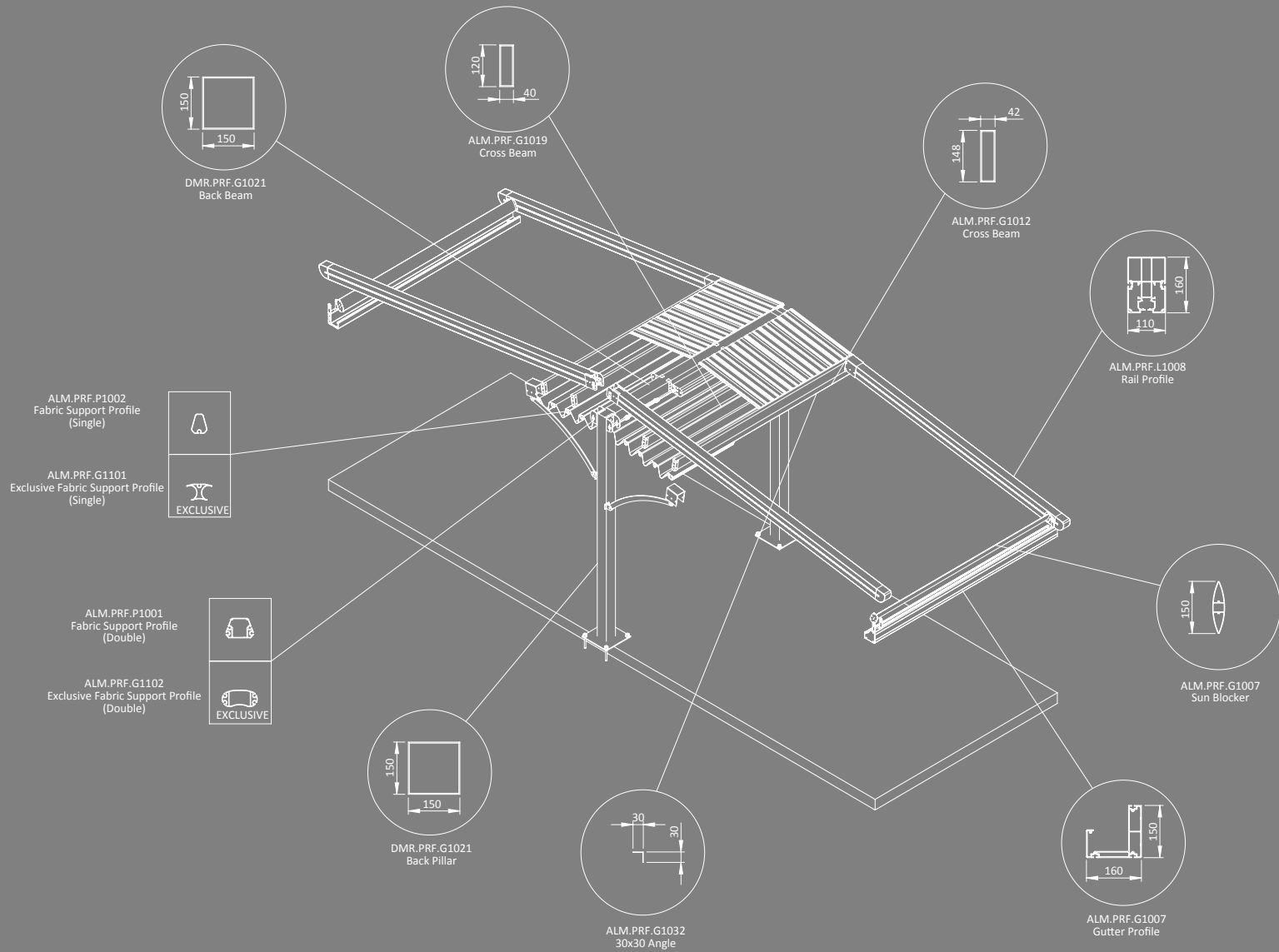
		BEAM GROUP	
		Standard	Al. 100x150mm
Back Beam	to	St. 100x150x3mm	€ 160 lm
		St. 100x150x5mm	€ 238 lm
		St. 100x200x3mm	€ 165 lm
		St. 100x200x5mm	€ 311 lm
		PILLAR GROUP	
		Standard	Al. 100x160mm
Front Pillar	to	Al. 100x100mm	€ 178 pcs
		St. 100x100x3mm	€ 197 pcs
		St. 100x100x5mm	€ 512 pcs
		St. 150x150x3mm	€ 787 pcs
		St. 150x150x5mm	€ 1.288 pcs
		Standard	Al. 100x100mm
Back Pillar	to	St. 100x100x3mm	€ 111 pcs
		St. 100x100x5mm	€ 456 pcs
		St. 150x150x3mm	€ 696 pcs
		St. 150x150x5mm	€ 1.231 pcs

Notes:

1. Fabric support profiles can be painted in the same color as the general construction. No fee is paid for this process. However, the plastic color should be specified from our standard plastic colours in Palmiye Color Chart.
2. For one product, a dry contact transmitter costing 370€, must be added.
3. Up to 5 products, a RS485 Automation interface dry contact transmitter costing 1126€, must be added.



TWIN BRACKET SYSTEM TECHNICAL DETAILS



TECHNICAL DETAILS

WATER DRAIN&GUTTER CALCULATION

PRODUCT TYPE	MAX. M²	USED PRODUCT TYPE
WATER DRAINAGE 45	34m²	1200 Series Standard
WATER DRAINAGE 65	42m²	Standard

*There should be at least one drainage, each 8 m length gutter.

MINIMUM SLOPE CHART

Projection	Slope	Rail Center																					
	6,4-7,9%	7,4-8,8%	8,4-9,7%	9,4-10,8%	10,4-12%	11,2-12,7%	12-13,4%	13-14,5%	14-15,7%	15-16,6%	16-17,6%	200	225	250	275	300	325	350	375	400	425	450	
250	16	19	21	24	26	28	30	33	35	38	40												
300	20	23	26	29	31	34	37	40	42	45	48												
350	23	27	30	34	37	40	43	46	49	53	56												
400	27	31	35	39	42	46	49	53	57	61	64												

*Note: Max. slope can be up to 25%
For back height of system 30 cm should be added to slope value.



TWIN BRACKET SYSTEM

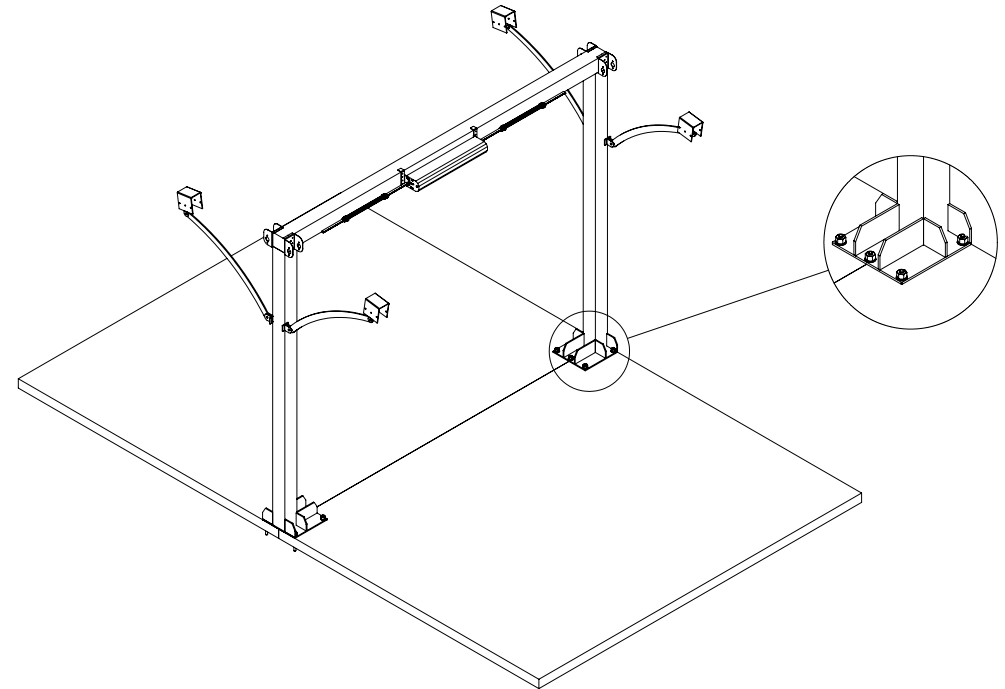
		WIDTH				
		2 RAIL				
		250 cm	300 cm	350 cm	400 cm	450 cm
PROJECTION	400 cm	€ 10.321	€ 10.800	€ 11.413	€ 12.091	€ 12.582
	450 cm	€ 10.662	€ 11.154	€ 11.778	€ 12.470	€ 12.974
	500 cm	€ 10.997	€ 11.501	€ 12.139	€ 12.843	€ 13.358
	550 cm	€ 11.580	€ 12.334	€ 13.034	€ 13.803	€ 14.383
	600 cm	€ 11.925	€ 12.693	€ 13.408	€ 14.188	€ 14.780
	650 cm	€ 12.263	€ 13.044	€ 13.771	€ 14.562	€ 15.170
	700 cm	€ 12.603	€ 13.393	€ 14.133	€ 14.940	€ 15.558
	750 cm	€ 12.943	€ 13.747	€ 14.497	€ 15.315	€ 15.944
800 cm	€ 13.398	€ 14.223	€ 14.994	€ 15.829	€ 16.477	
G22		€ 251	€ 259	€ 282	€ 312	€ 340
FS5-A		€ 44	€ 56	€ 65	€ 75	€ 87
FS5-E		€ 61	€ 77	€ 90	€ 103	€ 119

G22	L1600 Gutter System (One side)
FS5-A	Additional Fabric Support Profile (Standard)
FS8	Lighting System

		LED TYPE & MODULE		
FS8		2 LED	3 LED	4 LED
FS8-S	SPOT	€ 136	€ 165	€ 194
FS8-L	LINEAR	€ 194	€ 252	
FS8-LR	LINEAR (RGB)	€ 247	€ 320	

Notes:

1. Modules can not be combined.
2. Side beam is not applicable
3. FS Flexy Plain/3D or Stam 6002 is included in the price.
4. Motor and Remote control is included in the price.
5. Palmiye Aluminium Coating Catalogue includes the standard colours with no extra cost. For any other type/brand/coulor of paint, price difference and additional delivery duration shall be checked from your customer representative.
6. Standard "Fabric support profile plastic colors" are specified in our Aluminium coating catalogue.



DEDUCTIONS

Price deduction is applicable only for back pillars and back beam. Deduction amount shall be consider as 70% of related option price.

OPTIONS

FS10-L1600 (ALM-16)	Extra pillar (100x160mm Al.) for L1600 series	€ 362	pcs
FS10	Extra pillar (100x100mm Al.)	€ 540	pcs
FS10-ST3	Extra pillar (100x100x3mm St.)	€ 671	pcs
FS10-ST5	Extra pillar (100x100x5mm St.)	€ 978	pcs
FS11	Deco ceiling cover	€ 75	m ²
FS13-A	Wavy ceiling cover (for flexy fabric) (up to 350 cm width)	€ 38	m ²
FS15	Side beam pillar (50x100mm - Al)	€ 280	pcs
FS15-L1600 (ALM-11)	Side beam pillar (100x100mm - Al) for L1600 series	€ 355	pcs
FS19	Fix louver	€ 74	lm
FS23	External Square Downpipe	€ 330	pcs
FS24	W96 Ceiling Cover	€ 86	m ²
FS26	Exclusive fabric difference (up to 800cm width)	€ 51	m ²
FS28-1	Stainless steel chain - 100 cm	€ 78	1m
FS28-2	Stainless steel chain - 200 cm	€ 153	2m
FS28-3	Stainless steel chain - 300 cm	€ 230	3m
FS28-4	Stainless steel chain - 400 cm	€ 306	4m
FS29-1	Sun Sensor (SUNIS) (for single motor)	€ 625	pcs
FS29-2	Wind Sensor (EOLIS RTS) (for single motor)	€ 292	pcs
FS29-3	Sun and Wind Sensor (SOLIRIS RTS) (for single motor)	€ 331	pcs
FS29-4	* Rain Sensor (ONDEIS) (for single motor)	€ 574	pcs
FS30	CONNEXOON	€ 525	pcs
FS10-150ST5-H	Extra half pillar (150x150x5mm St.)	€ 210	pcs
FS10-150ST3	Extra pillar (150x150x3mm St.)	€ 1.252	pcs
FS10-150ST5	Extra pillar (150x150x5mm St.)	€ 1.751	pcs

EXTENSIONS

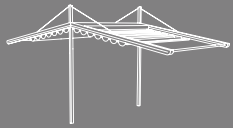
L1600 Rail - 110x160mm	€ 270	lm
Beam Profile (St. 150x150x3mm)	€ 439	lm
Beam Profile (St. 150x150x5mm)	€ 616	lm
Fabric protection cover (Al. - 63x___cm)	€ 60	m ²
L1600 Gutter	€ 105	lm

PRICE DIFFERENCE

		BEAM GROUP		
Beam	Standard	St. 150x150x3mm		
	to	St. 150x150x5mm	€ 90	lm
		PILLAR GROUP		
Pillar	Standard	St. 150x150x3mm		
	to	St. 150x150x5mm	€ 535	pcs

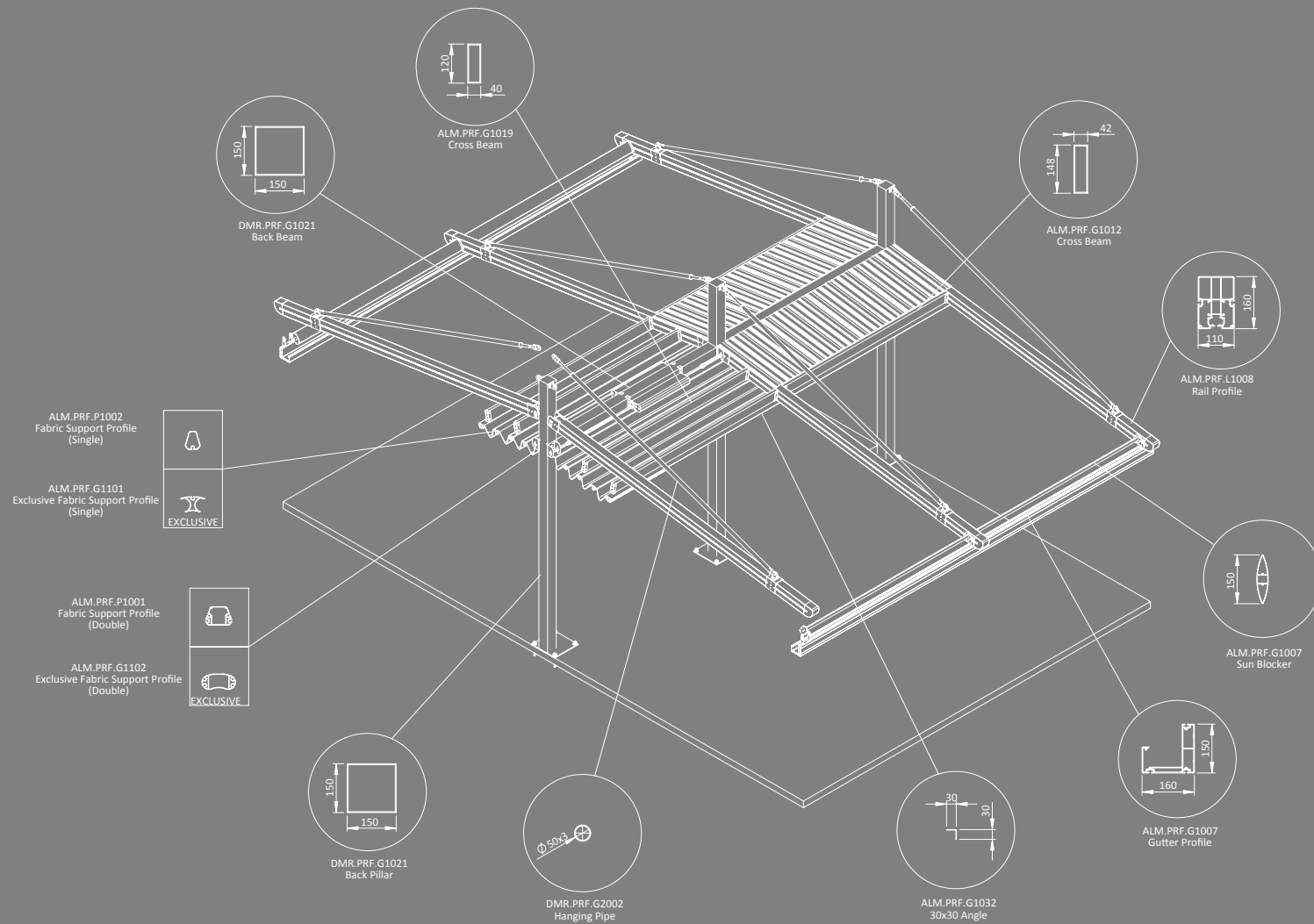
Notes:

1. Fabric support profiles can be painted in the same color as the general construction. No fee is paid for this process. However, the plastic color should be specified from our standard plastic colours in Palmiye Color Chart.
2. For one product, a dry contact transmitter costing 347, must be added.
3. Up to 5 products, a RS485 Automation interface dry contact transmitter costing 1126€, must be added.
4. The prices in the main table are for wall mounted products. This model also can be made as freestanding. For freestanding applications "FS10-150ST3" or "FS10-150ST5" pillar options and "St. 150x150x3mm" or "St. 150x150x5mm" back beam options should be added to the main prices.



TWIN HANGING SYSTEM

TECHNICAL DETAILS



TECHNICAL DETAILS

WATER DRAIN&GUTTER CALCULATION

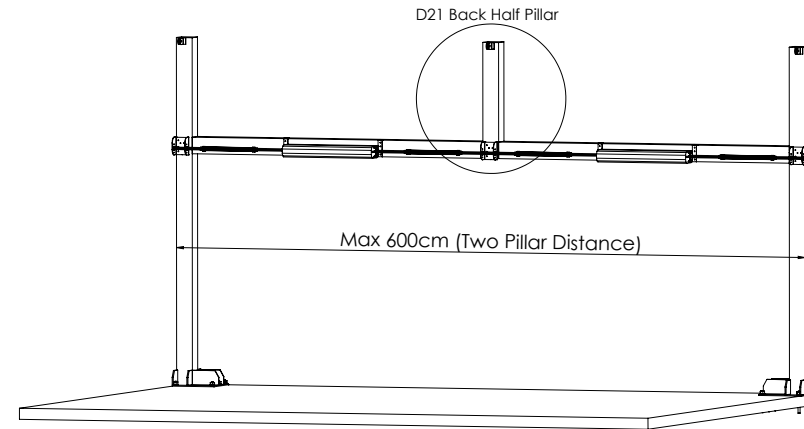
PRODUCT TYPE	MAX. M ²	USED PRODUCT TYPE
WATER DRAINAGE 45	34m ²	1200 Series Standard
WATER DRAINAGE 65	42m ²	Standard

*There should be at least one drainage, each 8 m length gutter.

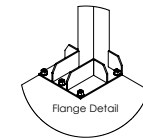
MINIMUM SLOPE CHART

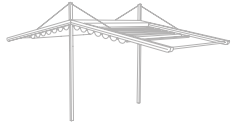
Slope	Rail Center											
	200	225	250	275	300	325	350	375	400	425	450	
6,4-7,9%	16	19	21	24	26	28	30	33	35	38	40	
7,4-8,8%	20	23	26	29	31	34	37	40	42	45	48	
8,4-9,7%	23	27	30	34	37	40	43	46	49	53	56	
9,4-10,8%	27	31	35	39	42	46	49	53	57	61	64	
10,4-12%	32	36	40	44	48	52	56	60	64	69	73	
11,2-12,7%	36	41	45	50	54	59	63	68	72	77	81	
12-13,4%	40	45	50	55	60	65	70	75	80	85	90	
13-14,5%	44	50	55	61	66	72	77	83	88	94	99	
14-15,7%												
15-16,6%												
16-17,6%												

*Note: Max. slope can be up to 25%
For back height of system 30 cm should be added to slope value.



- This model includes 3m steel back beam and pillars.
- The front beam can not be produced in steel.
- Ground flanges are 380x380x15 mm.
- When pillar reduction is applied, half pillar must be installed at the back of each rail shaft, and all steel pillars should be 150x150x5 mm.
- In condition of adding an additional rail, a steel 150x150x3m back pillar should also be added.





TWIN HANGING SYSTEM

		WIDTH																						
		2 RAIL					3 RAIL							4 RAIL							FS4-L1600 (R97)			
		250 cm	300 cm	350 cm	400 cm	450 cm	500 cm	550 cm	600 cm	650 cm	700 cm	750 cm	800 cm	850 cm	900 cm	950 cm	1000 cm	1050 cm	1100 cm	1150 cm	1200 cm	1250 cm	1300 cm	
PROJECTION	400 cm	€ 11.168	€ 11.683	€ 12.340	€ 13.067	€ 13.593	€ 15.987	€ 16.504	€ 17.205	€ 17.848	€ 18.290	€ 18.914	€ 19.614	€ 20.321	€ 20.638	€ 23.608	€ 24.117	€ 24.630	€ 25.133	€ 25.835	€ 26.244	€ 26.874	€ 27.379	€ 1.700
	450 cm	€ 11.534	€ 12.062	€ 12.732	€ 13.475	€ 14.014	€ 16.541	€ 17.070	€ 17.785	€ 18.442	€ 18.894	€ 19.531	€ 20.244	€ 20.964	€ 21.290	€ 24.404	€ 24.926	€ 25.448	€ 25.970	€ 26.683	€ 27.100	€ 27.742	€ 28.260	€ 1.824
	500 cm	€ 11.894	€ 12.434	€ 13.119	€ 13.875	€ 14.428	€ 17.087	€ 17.626	€ 18.355	€ 19.027	€ 19.488	€ 20.138	€ 20.864	€ 21.599	€ 21.936	€ 25.191	€ 25.726	€ 26.261	€ 26.792	€ 27.518	€ 27.947	€ 28.603	€ 29.134	€ 1.950
	550 cm	€ 12.519	€ 13.329	€ 14.080	€ 14.906	€ 15.528	€ 18.357	€ 19.155	€ 19.759	€ 20.692	€ 21.214	€ 21.928	€ 22.723	€ 23.524	€ 24.122	€ 27.344	€ 27.972	€ 28.768	€ 29.368	€ 30.160	€ 30.641	€ 31.362	€ 32.154	€ 2.076
	600 cm	€ 12.890	€ 13.714	€ 14.482	€ 15.319	€ 15.954	€ 18.916	€ 19.731	€ 20.347	€ 21.290	€ 21.821	€ 22.551	€ 23.358	€ 24.172	€ 24.783	€ 28.173	€ 28.786	€ 29.597	€ 30.208	€ 31.013	€ 31.506	€ 32.239	€ 33.043	€ 2.200
	650 cm	€ 13.251	€ 14.091	€ 14.871	€ 15.721	€ 16.372	€ 19.464	€ 20.292	€ 20.921	€ 21.877	€ 22.336	€ 23.073	€ 23.889	€ 24.707	€ 25.335	€ 28.966	€ 29.595	€ 30.317	€ 31.039	€ 31.858	€ 32.359	€ 33.106	€ 33.922	€ 2.326
	700 cm	€ 13.615	€ 14.465	€ 15.258	€ 16.126	€ 16.789	€ 20.016	€ 20.853	€ 21.501	€ 22.469	€ 22.932	€ 23.684	€ 24.515	€ 25.352	€ 25.985	€ 29.762	€ 30.399	€ 31.232	€ 31.871	€ 32.704	€ 33.213	€ 33.974	€ 34.802	€ 2.450
	750 cm	€ 13.980	€ 14.845	€ 15.650	€ 16.528	€ 17.204	€ 20.568	€ 21.419	€ 22.075	€ 23.060	€ 23.532	€ 24.293	€ 25.137	€ 25.985	€ 26.633	€ 30.556	€ 31.208	€ 32.054	€ 32.706	€ 33.548	€ 34.068	€ 34.840	€ 35.681	€ 2.576
	800 cm	€ 14.471	€ 15.356	€ 16.183	€ 17.080	€ 17.776	€ 21.305	€ 22.177	€ 22.849	€ 23.860	€ 24.345	€ 25.122	€ 25.987	€ 26.851	€ 27.524	€ 31.626	€ 32.297	€ 33.165	€ 33.835	€ 34.696	€ 35.235	€ 36.023	€ 36.886	€ 2.700
	850 cm	€ 17.050	€ 17.855	€ 18.877	€ 20.010	€ 20.829	€ 24.376	€ 25.176	€ 26.268	€ 27.266	€ 27.951	€ 28.860	€ 29.949	€ 31.047	€ 31.536	€ 35.962	€ 36.751	€ 37.544	€ 38.330	€ 39.419	€ 40.050	€ 41.028	€ 41.813	€ 2.825
	900 cm	€ 17.341	€ 18.157	€ 19.190	€ 20.334	€ 21.162	€ 24.813	€ 25.624	€ 26.727	€ 27.735	€ 28.429	€ 29.347	€ 30.447	€ 31.554	€ 32.050	€ 36.590	€ 37.388	€ 38.190	€ 38.988	€ 40.087	€ 40.724	€ 41.711	€ 42.507	€ 2.993
	950 cm	€ 17.628	€ 18.455	€ 19.499	€ 20.653	€ 21.492	€ 25.246	€ 26.065	€ 27.177	€ 28.199	€ 28.897	€ 29.827	€ 30.936	€ 32.058	€ 32.561	€ 37.210	€ 38.019	€ 38.830	€ 39.636	€ 40.747	€ 41.391	€ 42.391	€ 43.196	€ 3.074
1000 cm	€ 17.915	€ 18.751	€ 19.807	€ 20.969	€ 21.821	€ 25.679	€ 26.505	€ 27.629	€ 28.662	€ 29.368	€ 30.306	€ 31.425	€ 32.559	€ 33.070	€ 37.830	€ 38.649	€ 39.471	€ 40.284	€ 41.404	€ 42.059	€ 43.068	€ 43.883	€ 3.198	
1050 cm	€ 18.200	€ 19.049	€ 20.114	€ 21.288	€ 22.149	€ 26.111	€ 26.946	€ 28.079	€ 29.125	€ 29.836	€ 30.786	€ 31.915	€ 33.063	€ 33.581	€ 38.449	€ 39.278	€ 40.111	€ 40.932	€ 42.063	€ 42.728	€ 43.746	€ 44.572	€ 3.324	
1100 cm	€ 18.487	€ 19.346	€ 20.421	€ 21.606	€ 22.478	€ 26.544	€ 27.385	€ 28.531	€ 29.590	€ 30.304	€ 31.265	€ 32.404	€ 33.565	€ 34.091	€ 39.069	€ 39.910	€ 40.750	€ 41.580	€ 42.720	€ 43.396	€ 44.423	€ 45.260	€ 3.448	
1150 cm	€ 18.774	€ 19.644	€ 20.729	€ 21.925	€ 22.806	€ 26.977	€ 27.825	€ 28.981	€ 30.053	€ 30.775	€ 31.745	€ 32.895	€ 34.067	€ 34.602	€ 39.689	€ 40.539	€ 41.391	€ 42.228	€ 43.377	€ 44.064	€ 45.103	€ 45.949	€ 3.573	
1200 cm	€ 19.061	€ 19.940	€ 21.036	€ 22.243	€ 23.136	€ 27.409	€ 28.266	€ 29.431	€ 30.515	€ 31.243	€ 32.224	€ 33.383	€ 34.570	€ 35.111	€ 40.310	€ 41.169	€ 42.031	€ 42.876	€ 44.037	€ 44.731	€ 45.781	€ 46.636	€ 3.696	

G22	€ 251	€ 259	€ 282	€ 312	€ 340	€ 363	€ 391	€ 416	€ 442	€ 467	€ 601	€ 627	€ 655	€ 679	€ 708	€ 735	€ 759	€ 786	€ 811	€ 839	€ 863	€ 890
FS5-A	€ 44	€ 56	€ 65	€ 75	€ 87	€ 96	€ 108	€ 117	€ 129	€ 139	€ 150	€ 160	€ 171	€ 181	€ 192	€ 202	€ 214	€ 223	€ 235	€ 244	€ 256	€ 266
FS5-E	€ 61	€ 77	€ 90	€ 103	€ 119	€ 132	€ 148	€ 162	€ 178	€ 191	€ 207	€ 220	€ 236	€ 249	€ 265	€ 278	€ 294	€ 307	€ 323	€ 336	€ 352	€ 366

		LED TYPE & MODULE					
G22	L1600 Gutter system (One side)	FS8		2 LED	3 LED	4 LED	
FS5-A	Additional Fabric Support Profile (Standard)	FS8-S	SPOT	€ 136	€ 165	€ 194	
FS4-L1600 (R97)	Additional Rail - Al. 110x160mm	FS8-L	LINEAR	€ 194	€ 252		
FS8	Lighting System	FS8-LR	LINEAR (RGB)	€ 247	€ 320		

Notes:

1. FS Flexy Plain/3D or Stam 6002 is included in the price.
2. Motor and Remote control is included in the price.
3. Palmiye Aluminium Coating Catalogue includes the standard colours with no extra cost. For any other type/brand/color of paint, price difference and additional delivery duration shall be checked from your customer representative.
4. Standard "Fabric support profile plastic colors" are specified in our Aluminium coating catalogue.

DEDUCTIONS

Price deduction is applicable only for back pillars and back beam. Deduction amount shall be consider as 70% of related option price.

OPTIONS

FS10-L1600 (ALM-16)	Extra pillar (100x160mm Al.) for L1600 series	€ 362	pcs
FS10	Extra pillar (100x100mm Al.)	€ 540	pcs
FS10-ST3	Extra pillar (100x100x3mm St.)	€ 671	pcs
FS10-ST5	Extra pillar (100x100x5mm St.)	€ 978	pcs
FS11	Deco ceiling cover	€ 75	m ²
FS13-A	Wavy ceiling cover (for flexy fabric) (up to 350 cm width)	€ 38	m ²
FS15	Side beam pillar (50x100mm - Al)	€ 280	pcs
FS15-L1600 (ALM-11)	Side beam pillar (100x100mm - Al) for L1600 series	€ 355	pcs
FS19	Fix louver	€ 74	lm
FS23	External Square Downpipe	€ 330	pcs
FS24	W96 Ceiling Cover	€ 86	m ²
FS26	Exclusive fabric difference (up to 800cm width)	€ 51	m ²
FS28-1	Stainless steel chain - 100 cm	€ 78	1m
FS28-2	Stainless steel chain - 200 cm	€ 153	2m
FS28-3	Stainless steel chain - 300 cm	€ 230	3m
FS28-4	Stainless steel chain - 400 cm	€ 306	4m
FS29-1	Sun Sensor (SUNIS) (for single motor)	€ 625	pcs
FS29-1S	Sun Sensor (SUNIS) (for synchronized motor)	€ 989	pcs
FS29-2	Wind Sensor (EOLIS RTS) (for single motor)	€ 292	pcs
FS29-2S	Wind Sensor (EOLIS RTS) (for synchronized motor)	€ 657	pcs
FS29-3	Sun and Wind Sensor (SOLIRIS RTS) (for single motor)	€ 331	pcs
FS29-3S	Sun and Wind Sensor (SOLIRIS RTS) (for synchronized motor)	€ 696	pcs
FS29-4	* Rain Sensor (ONDEIS) (for single motor)	€ 574	pcs
FS29-4S	* Rain Sensor (ONDEIS) (for synchronized motor)	€ 939	pcs
FS30	CONNEXOON	€ 525	pcs
FS10-150ST5-H	Extra half pillar (150x150x5mm St.)	€ 210	pcs
FS10-150ST3	Extra pillar (150x150x3mm St.)	€ 1.252	pcs
FS10-150ST5	Extra pillar (150x150x5mm St.)	€ 1.751	pcs

EXTENSIONS

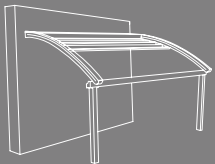
L1600 Rail - 110x160mm	€ 270	lm
Beam Profile (St. 150x150x3mm)	€ 439	lm
Beam Profile (St. 150x150x5mm)	€ 616	lm
Fabric protection cover (Al. - 63x__cm)	€ 60	m ²
L1600 Gutter	€ 105	lm

PRICE DIFFERENCE

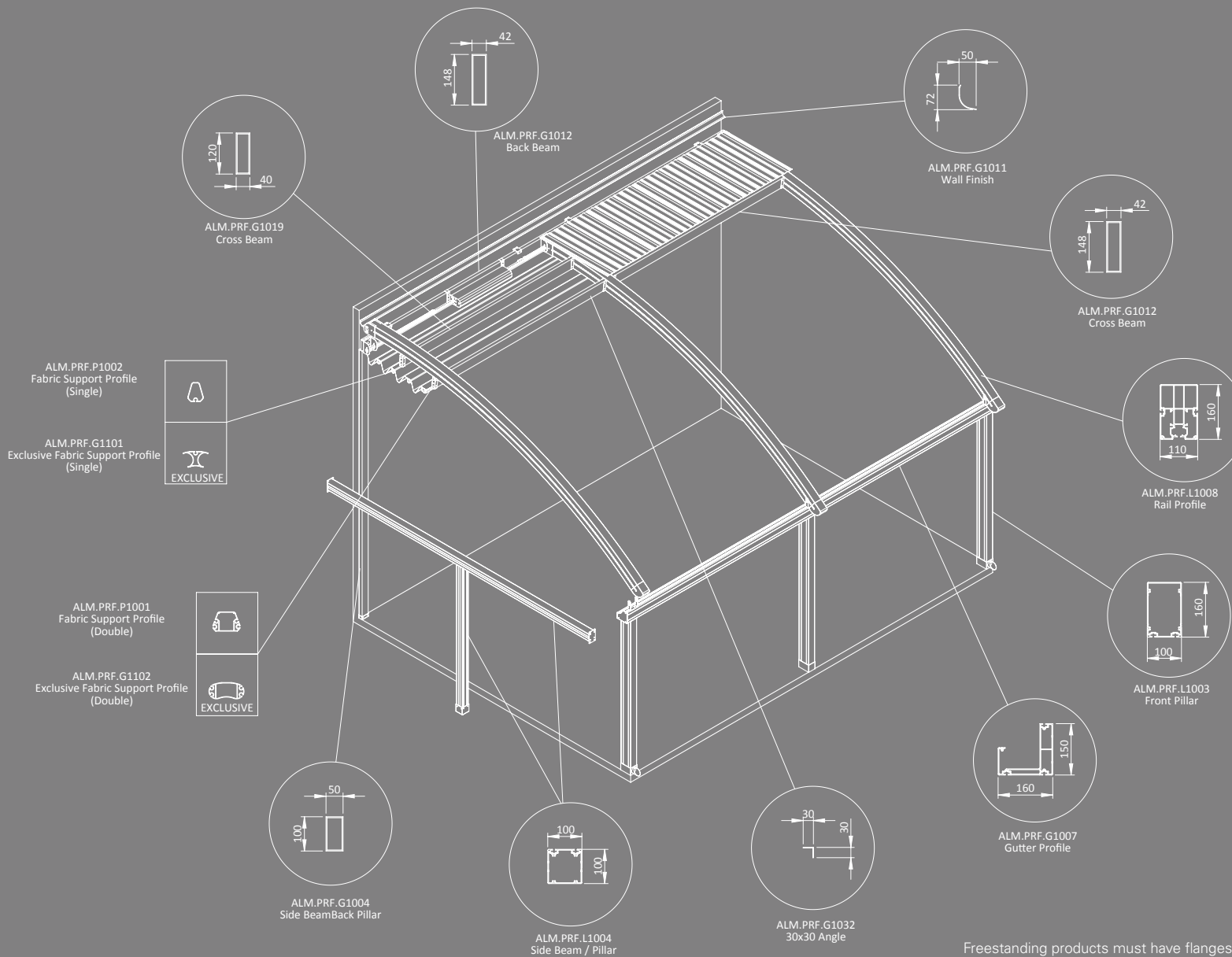
		BEAM GROUP	
		Standard	St. 150x150x3mm
Beam	to	St. 150x150x5mm	€ 90 lm
		PILLAR GROUP	
		Standard	St. 150x150x3mm
Pillar	to	St. 150x150x5mm	€ 535 pcs

Notes:

1. Fabric support profiles can be painted in the same color as the general construction. No fee is paid for this process. However, the plastic color should be specified from our standard plastic colours in Palmiye Color Chart.
2. For one product, a dry contact transmitter costing 370€, must be added.
3. Up to 5 products, a RS485 Automation interface dry contact transmitter costing 1126€, must be added.
4. The prices in the main table are for wall mounted products. This model also can be made as freestanding. For freestanding applications "FS10-150ST3" or "FS10-150ST5" pillar options and "St. 150x150x3mm" or "St. 150x150x5mm" back beam options should be added to the main prices.



STANDING SYSTEM WITH FRONT PILLAR



Freestanding products must have flanges on the pillars.

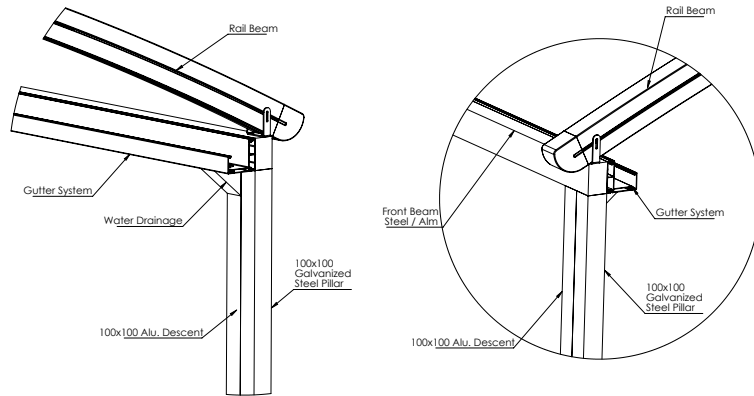
TECHNICAL DETAILS

WATER DRAIN&GUTTER CALCULATION

PRODUCT TYPE	MAX. M ²	USED PRODUCT TYPE
WATER DRAINAGE 45	34m ²	1200 Series Standard
WATER DRAINAGE 65	42m ²	Standard

*There should be at least one drainage, each 8 m length gutter.

APPLICATION FORM IN STEEL FRONT BEAM AND DEVICE

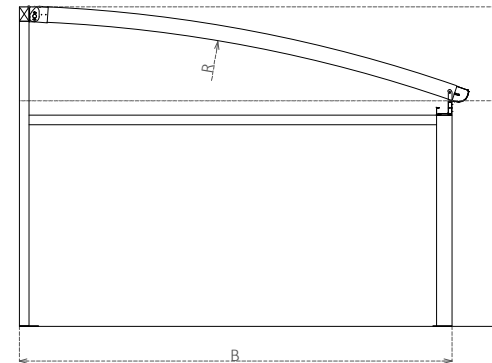


* In use of aluminum front pillar of 100*100 and front beam of 100*150 water drain, is applied from the available pillar. No external descent is applied.

RADIUS CHART

RADIUS	850	1500	2850
Projection	A		
250	63		
300	83		
350	107		
400	135	82	
450	168	98	
500		116	
550		137	
600		160	93
650		184	106
700			119
750			133

*The values are approx. ± 5 cm



BACK BEAM PROFILE TYPE (INCLUDED IN PERGOLA PRICE)

PROJECTION	PRODUCT WIDTH							
	FROM 200CM TO 1300CM							
	200	300	450	600	750	900	1050	1200
	E	E	E	E	E	E	E	E
	E	E	E	E	E	E	E	E
	E	E	E	E	E	E	E	E
	E	E	E	E	E	E	E	E
	E	E	E	E	E	E	E	E
BACK BEAM	E	42*150 ALU						

* Utilization table of back beam is included in the list price.

FRONT PILLAR REDUCTION CONDITIONS

PROJECTION	OUT TO OUT PILLAR SIZE						
	450	500	600	700	750	800	900
	200	A	A	B	B	C	C
300	A	A	B	B	C	C	C
400	A	A	B	B	C	C	C
500	A	A	B	B	C	C	C
600	A	A	B	B	C	C	C
700	A	A	B	B	C	C	C
750	A	A	B	B	C	C	C
F PILLAR F BEAM	A	100*100 ALU 100*150 ALU	B	100*100*3 G.S 100*150*3 G.S	C	100*100*5 G.S 100*200*5 G.S	

* The front pillar reduction use table should be additionally priced.

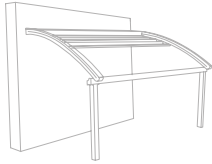
* Ground mounting is performed with flange of 200*200*10 mm or ground anchor of standard 1600 series 110*160.

* Application is made behind the gutter system.

* Maximum height is 400 cm for aluminum front pillars.

* Maximum height is 500 cm for steel front pillars.

* If front pillar and beam is made of steel, water drain is given from empty aluminum box profile of 100*100.



STANDING SYSTEM WITH FRONT PILLAR

WIDTH

PROJECTION	2 RAIL				3 RAIL								4 RAIL								5 RAIL				FS4-L1600 (R97)	FS9-L1600 (Y64)	FS9
	250 cm	300 cm	350 cm	400 cm	450 cm	500 cm	550 cm	600 cm	650 cm	700 cm	750 cm	800 cm	850 cm	900 cm	950 cm	1000 cm	1050 cm	1100 cm	1150 cm	1200 cm	1250 cm	1300 cm					
200 cm	€ 6.981	€ 7.320	€ 7.806	€ 8.303	€ 9.433	€ 9.784	€ 10.129	€ 10.472	€ 11.081	€ 11.380	€ 11.826	€ 12.167	€ 13.701	€ 14.044	€ 14.388	€ 14.725	€ 15.068	€ 15.408	€ 15.749	€ 16.025	€ 16.465	€ 16.967	€ 1.201	€ 246	€ 242		
250 cm	€ 7.277	€ 7.794	€ 8.267	€ 8.634	€ 9.868	€ 10.231	€ 10.748	€ 11.100	€ 11.561	€ 11.868	€ 12.326	€ 12.839	€ 14.649	€ 14.838	€ 15.030	€ 15.378	€ 15.891	€ 16.239	€ 16.591	€ 16.874	€ 17.328	€ 17.839	€ 1.326	€ 295	€ 292		
300 cm	€ 7.799	€ 8.374	€ 8.903	€ 9.329	€ 10.707	€ 11.127	€ 11.698	€ 12.109	€ 12.626	€ 12.982	€ 13.498	€ 14.065	€ 16.029	€ 16.275	€ 16.524	€ 16.931	€ 17.499	€ 17.903	€ 18.312	€ 18.643	€ 19.151	€ 19.715	€ 1.452	€ 347	€ 343		
350 cm	€ 8.271	€ 8.691	€ 9.232	€ 9.833	€ 11.314	€ 11.747	€ 12.170	€ 12.749	€ 13.280	€ 13.643	€ 14.170	€ 14.751	€ 17.003	€ 17.253	€ 17.503	€ 17.921	€ 18.341	€ 18.756	€ 19.333	€ 19.672	€ 20.191	€ 20.605	€ 1.575	€ 397	€ 393		
400 cm	€ 8.580	€ 9.011	€ 9.563	€ 10.176	€ 11.765	€ 12.208	€ 12.644	€ 13.234	€ 13.773	€ 14.147	€ 14.685	€ 15.273	€ 17.628	€ 17.896	€ 18.166	€ 18.595	€ 19.026	€ 19.451	€ 20.041	€ 20.386	€ 20.916	€ 21.342	€ 1.700	€ 448	€ 443		
450 cm	€ 8.896	€ 9.338	€ 9.902	€ 10.526	€ 12.227	€ 12.681	€ 13.128	€ 13.730	€ 14.279	€ 14.661	€ 15.210	€ 15.811	€ 18.287	€ 18.564	€ 18.843	€ 19.281	€ 19.721	€ 20.160	€ 20.761	€ 21.111	€ 21.653	€ 22.089	€ 1.824	€ 500	€ 493		
500 cm	€ 9.207	€ 9.661	€ 10.237	€ 10.871	€ 12.683	€ 13.150	€ 13.603	€ 14.216	€ 14.779	€ 15.169	€ 15.728	€ 16.340	€ 18.940	€ 19.224	€ 19.512	€ 19.960	€ 20.411	€ 20.859	€ 21.468	€ 21.831	€ 22.383	€ 22.830	€ 1.950	€ 550	€ 543		
550 cm	€ 9.742	€ 10.419	€ 11.050	€ 11.745	€ 13.698	€ 14.222	€ 14.892	€ 15.401	€ 16.182	€ 16.622	€ 17.237	€ 17.905	€ 20.312	€ 20.814	€ 21.322	€ 21.851	€ 22.518	€ 23.023	€ 23.688	€ 24.096	€ 24.701	€ 25.366	€ 2.076	€ 600	€ 593		
600 cm	€ 10.063	€ 10.751	€ 11.398	€ 12.100	€ 14.165	€ 14.699	€ 15.383	€ 15.903	€ 16.693	€ 17.142	€ 17.767	€ 18.446	€ 20.995	€ 21.510	€ 22.026	€ 22.543	€ 23.222	€ 23.736	€ 24.414	€ 24.828	€ 25.445	€ 26.120	€ 2.200	€ 651	€ 643		
650 cm	€ 10.376	€ 11.078	€ 11.732	€ 12.447	€ 14.620	€ 15.169	€ 15.864	€ 16.395	€ 17.196	€ 17.583	€ 18.214	€ 18.902	€ 21.640	€ 22.169	€ 22.700	€ 23.229	€ 23.835	€ 24.442	€ 25.130	€ 25.552	€ 26.179	€ 26.867	€ 2.326	€ 703	€ 693		
700 cm	€ 10.692	€ 11.404	€ 12.068	€ 12.797	€ 15.085	€ 15.641	€ 16.345	€ 16.890	€ 17.701	€ 18.093	€ 18.738	€ 19.437	€ 22.310	€ 22.843	€ 23.375	€ 23.913	€ 24.610	€ 25.148	€ 25.849	€ 26.278	€ 26.917	€ 27.613	€ 2.450	€ 753	€ 743		
750 cm	€ 11.009	€ 11.731	€ 12.408	€ 13.144	€ 15.546	€ 16.114	€ 16.829	€ 17.381	€ 18.207	€ 18.606	€ 19.258	€ 19.967	€ 22.959	€ 23.504	€ 24.051	€ 24.599	€ 25.309	€ 25.858	€ 26.565	€ 27.005	€ 27.654		€ 2.576		€ 1.073 included side beam pillar		
FS5-A	€ 44	€ 56	€ 65	€ 75	€ 87	€ 96	€ 108	€ 117	€ 129	€ 139	€ 150	€ 160	€ 171	€ 181	€ 192	€ 202	€ 214	€ 223	€ 235	€ 244	€ 256	€ 266					
FS5-E	€ 61	€ 77	€ 90	€ 103	€ 119	€ 132	€ 148	€ 162	€ 178	€ 191	€ 207	€ 220	€ 236	€ 249	€ 265	€ 278	€ 294	€ 307	€ 323	€ 336	€ 352	€ 366					

FS5-A	Additional Fabric Support Profile (Standard)
FS4-L1600 (R97)	Additional Rail - Al. 110x160mm
FS9-L1600 (Y64)	Side Beam - Al. 100x100mm
FS9	Side Beam - Al. 50x150mm
FS8	Lighting System

LED TYPE & MODULE		
2 LED	3 LED	4 LED
€ 136	€ 165	€ 194
€ 194	€ 252	
€ 247	€ 320	

Notes:

- Any Side Beam is not included in the price.
- If side beam used and projection is bigger than 700 cm, a side beam pillar also needs to be added up to the rail. Price is included in FS9 side beam option price.
- FS Flexy Plain/3D or Stam 6002 is included in the price.
- Motor and Remote control is included in the price.
- Palmye Aluminium Coating Catalogue includes the standard colours with no extra cost. For any other type/brand/color of paint, price difference and additional delivery duration shall be checked from your customer representative.
- Standard "Fabric support profile plastic colors" are specified in our Aluminium coating catalogue.

DEDUCTIONS

Price deduction is applicable only for pillars and beam. Deduction amount shall be consider as 70% of related option price.

OPTIONS			
FS10-L1600 (ALM-16)	Extra pillar (100x160mm Al.) for L1600 series	€ 362	pcs
FS10	Extra pillar (100x100mm Al.)	€ 540	pcs
FS10-ST3	Extra pillar (100x100x3mm St.)	€ 671	pcs
FS10-ST5	Extra pillar (100x100x5mm St.)	€ 978	pcs
FS11	Deco ceiling cover	€ 75	m ²
FS13-A	Wavy ceiling cover (for flexy fabric) (up to 350 cm width)	€ 38	m ²
FS15	Side beam pillar (50x100mm- Al)	€ 280	pcs
FS15-L1600 (ALM-11)	Side beam pillar (100x100mm- Al) for L1600 series	€ 355	pcs
FS19	Fix louver	€ 74	lm
FS23	External Square Downpipe	€ 330	pcs
FS24	W96 Ceiling Cover	€ 86	m ²
FS26	Exclusive fabric difference (up to 800cm width)	€ 51	m ²
FS29-1	Sun Sensor (SUNIS) (for single motor)	€ 625	pcs
FS29-1S	Sun Sensor (SUNIS) (for synchronized motor)	€ 989	pcs
FS29-2	Wind Sensor (EOLIS RTS) (for single motor)	€ 292	pcs
FS29-2S	Wind Sensor (EOLIS RTS) (for synchronized motor)	€ 657	pcs
FS29-3	Sun and Wind Sensor (SOLIRIS RTS) (for single motor)	€ 331	pcs
FS29-3S	Sun and Wind Sensor (SOLIRIS RTS) (for synchronized motor)	€ 696	pcs
FS29-4	* Rain Sensor (ONDEIS) (for single motor)	€ 574	pcs
FS29-4S	* Rain Sensor (ONDEIS) (for synchronized motor)	€ 939	pcs
FS30	CONNEXOON	€ 525	pcs

EXTENSIONS		
L1600 Rail - 110x160mm	€ 270	lm
Beam Profile (Al. 42x150mm)	€ 105	lm
Beam Profile (Al. 50x150mm)	€ 185	lm
Beam Profile (Al. 100x150mm)	€ 155	lm
Beam Profile (St. 100x150x3mm)	€ 320	lm
Beam Profile (St. 100x150x5mm)	€ 388	lm
Beam Profile (St. 100x200x3mm)	€ 324	lm
Beam Profile (St. 100x200x5mm)	€ 461	lm
Fabric protection cover (Al. - 63x__cm)	€ 60	m ²
L1600 Gutter	€ 105	lm

*Max. Al. Front pillar (Al. 100x160mm) height is 280cm.
 *Max. St 3mm. Front pillar (St. 100x100x3mm) height is 380cm.
 *Max. St. 5mm Front pillar (St. 100x100x5mm) height is 480cm.

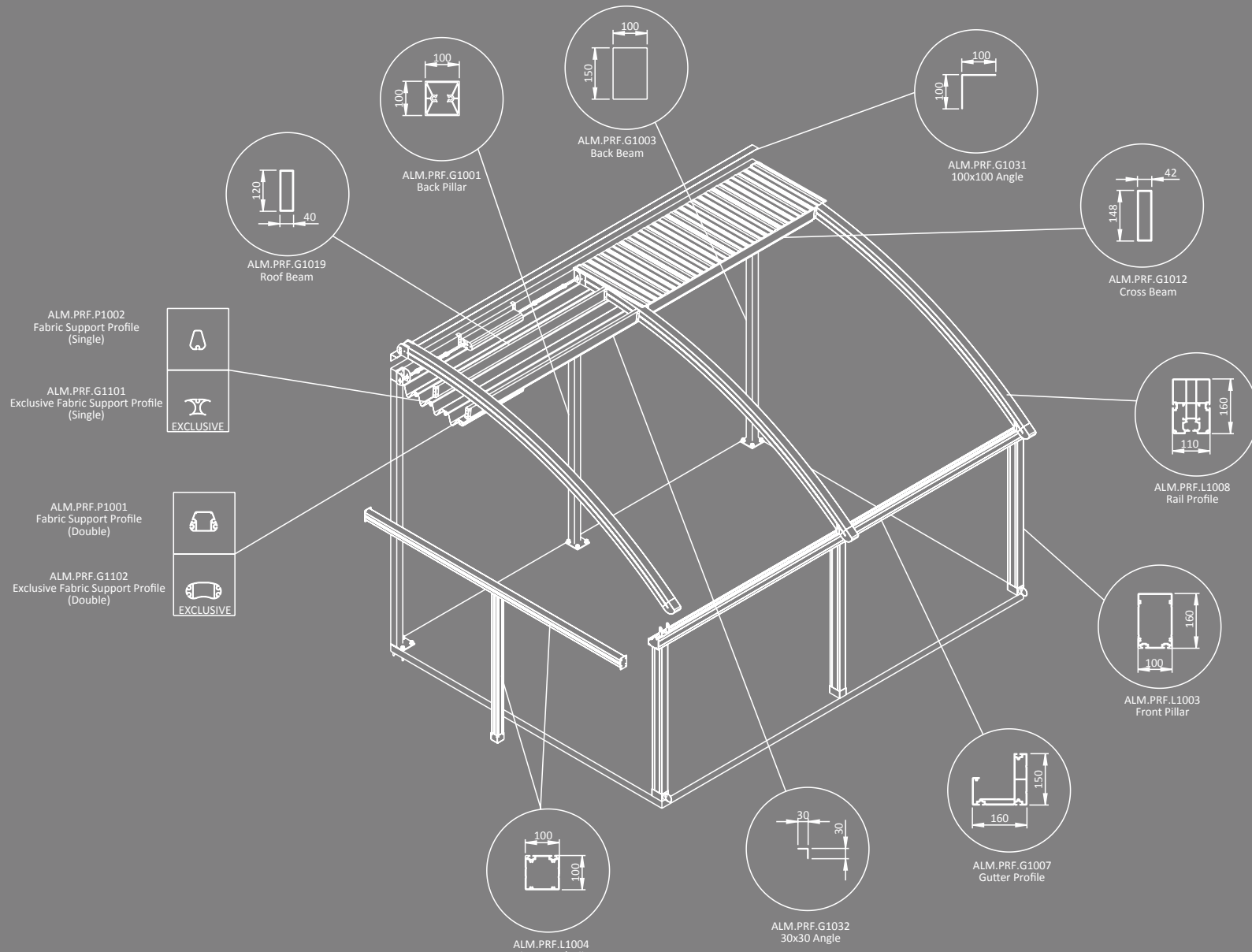
PRICE DIFFERENCE			
BEAM GROUP			
Back Beam	Standard	Al. 42x150mm	
		Al. 50x150mm	€ 81 lm
	to	St. 50x150x3mm	€ 104 lm
		St. 50x150x5mm	€ 192 lm
		Al. 100x150mm	€ 48 lm
		St. 100x150x3mm	€ 210 lm
		St. 100x150x5mm	€ 285 lm
		St. 100x200x3mm	€ 215 lm
		St. 100x200x5mm	€ 359 lm
		PILLAR GROUP	
Front Pillar	Standard	Al. 100x160mm	
		Al. 100x100mm	€ 178 pcs
to	St. 100x100x3mm	€ 197 pcs	
	St. 100x100x5mm	€ 512 pcs	
	St. 150x150x3mm	€ 787 pcs	
	St. 150x150x5mm	€ 1.288 pcs	

Notes:

1. Fabric support profiles can be painted in the same color as the general construction. No fee is paid for this process. However, the plastic color should be specified from our standard plastic colours in Palmiye Colour Chart.
2. For one product, a dry contact transmitter costing 370€, must be added.
3. Up to 5 products, a RS485 Automation interface dry contact transmitter costing 1126€, must be added.



STANDING SYSTEM WITH FRONT AND BACK PILLAR



Freestanding products must have flanges on the pillars.

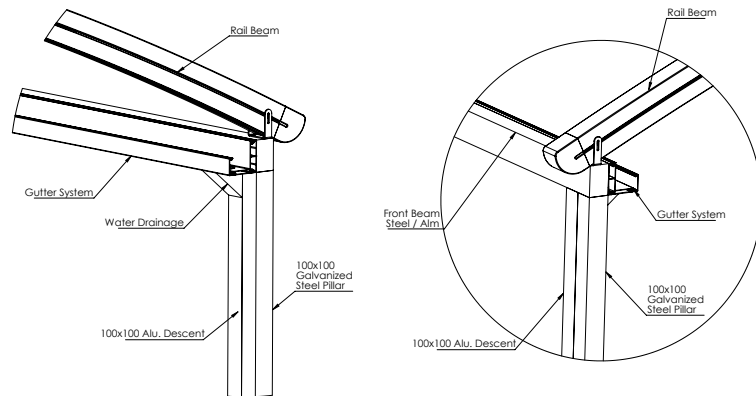
TECHNICAL DETAILS

WATER DRAIN&GUTTER CALCULATION

PRODUCT TYPE	MAX. M ²	USED PRODUCT TYPE
WATER DRAINAGE 45	34m ²	1200 Series Standard
WATER DRAINAGE 65	42m ²	Standard

*There should be at least one drainage, each 8 m length gutter.

APPLICATION FORM IN STEEL FRONT BEAM AND DEVICE

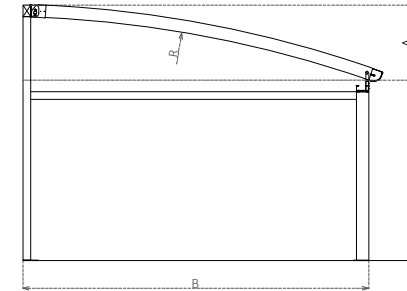


* In use of aluminum front pillar of 100*100 and front beam of 100*150 water drain, is applied from the available pillar. No external descent is applied.

RADIUS CHART

RADIUS	850	1500	2850
Projection	A		
250	63		
300	83		
350	107		
400	135	82	
450	168	98	
500		116	
550		137	
600		160	93
650		184	106
700			119
750			133

*The values are approx. ± 5 cm



USE OF BACK PILLAR AND BACK BEAM (STANDARD)

PROJECTION	PRODUCT WIDTH																		
	450	500	550	600	650	700	750	800	850	900	950	1000	1050	1100	1150	1200	1250	1300	
400	A	A	A	A	A	A	A	A	A	A	A	A	A	A	A	A	A	A	
450	A	A	A	A	A	A	A	A	A	A	A	A	A	A	A	A	A	A	
500	A	A	A	A	A	A	A	A	A	A	A	A	A	A	A	A	A	A	
550	A	A	A	A	A	A	A	A	A	A	A	A	A	A	A	A	A	A	
600	A	A	A	A	A	A	A	A	A	A	A	A	A	A	A	A	A	A	
650	A	A	A	A	A	A	A	A	A	A	A	A	A	A	A	A	A	A	
700	A	A	A	A	A	A	A	A	A	A	A	A	A	A	A	A	A	A	
750	A	A	A	A	A	A	A	A	A	A	A	A	A	A	A	A	A	A	
GROUND FLANGE BACK PILLAR BACK BEAM	A	200*200*10 FLANGE ALU 100*100 ALU 100*150 ALU							B	200*200*10 FLANGE G.S 100*100*3MM G.S 100*150*3MM G.S									

* Utilization table of back beam and back pillar is included in the list price.

TERMS OF USE OF FRONT PILLAR AND BEAM

PROJECTION	OUT TO OUT PILLAR SIZE					
	450	550	600	650	700	
400	A	A	B	B	C	
450	A	A	B	B	C	
500	A	A	B	C	C	
550	A	B	B	C	C	
600	A	B	B	C	C	
750	A	B	C	C	C	
F. PILLAR F. BEAM	A	100*100 ALU 100*150 ALU	B	100*100*3 G.S 100*150*3 G.S	C	100*100*5 G.S 100*200*5 G.S

- * Use of front pillar and beam should be additionally priced.
- * Ground mounting of the pillar is performed with flange of 200*200*10 mm or ground anchor.
- * Application is made behind the gutter system.
- * Maximum height is 4m for aluminum front pillars and 5m for steel front pillars.
- * If front pillar and beam is made of steel, water drain is given from empty aluminum box profile of 100*100.

TERMS OF USE OF BACK PILLAR AND BACK BEAM

PROJECTION	OUT TO OUT PILLAR SIZE							
	450	500	550	600	700	750	800	900
400	A	A	A	B	B	C	C	C
450	A	A	B	B	B	C	C	C
500	A	B	B	B	B	C	C	C
550	A	B	B	B	B	C	C	C
600	A	B	B	B	B	C	C	C
750	A	B	B	B	B	C	C	C
BACK PILLAR BACK BEAM	A	100*100 ALU 100*150 ALU	B	100*100*3 G.S 100*150*3 G.S	C	100*100*5 G.S 100*200*5 G.S		

- * Use of back pillar and beam should be additionally priced.
- * Floor mounting of the pillar is performed with flange of 200*200*10 mm or ground anchor.
- * Maximum height is 4m for aluminum back pillars and 5m for steel back pillars.



STANDING SYSTEM WITH FRONT AND BACK PILLAR

WIDTH

PROJECTION	WIDTH																				FS4-L1600 (R97)	FS9		
	2 RAIL				3 RAIL								4 RAIL										5 RAIL	
	250 cm	300 cm	350 cm	400 cm	450 cm	500 cm	550 cm	600 cm	650 cm	700 cm	750 cm	800 cm	850 cm	900 cm	950 cm	1000 cm	1050 cm	1100 cm	1150 cm	1200 cm	1250 cm	1300 cm		
200 cm	€ 8.178	€ 8.534	€ 9.032	€ 9.544	€ 11.011	€ 11.377	€ 11.736	€ 12.094	€ 12.717	€ 13.028	€ 13.491	€ 13.845	€ 15.718	€ 16.074	€ 16.433	€ 16.785	€ 17.140	€ 17.494	€ 17.850	€ 18.139	€ 18.917	€ 19.435	€ 1.202	€ 242
250 cm	€ 8.569	€ 9.100	€ 9.588	€ 9.969	€ 11.541	€ 11.918	€ 12.449	€ 12.816	€ 13.291	€ 13.611	€ 14.084	€ 14.610	€ 16.760	€ 16.963	€ 17.169	€ 17.532	€ 18.059	€ 18.422	€ 18.788	€ 19.085	€ 19.876	€ 20.402	€ 1.326	€ 292
300 cm	€ 9.192	€ 9.782	€ 10.325	€ 10.765	€ 12.481	€ 12.915	€ 13.501	€ 13.926	€ 14.457	€ 14.827	€ 15.358	€ 15.939	€ 18.240	€ 18.501	€ 18.764	€ 19.184	€ 19.768	€ 20.187	€ 20.610	€ 20.953	€ 21.799	€ 22.379	€ 1.452	€ 343
350 cm	€ 9.762	€ 10.196	€ 10.752	€ 11.367	€ 13.186	€ 13.633	€ 14.071	€ 14.664	€ 15.209	€ 15.586	€ 16.126	€ 16.721	€ 19.312	€ 19.575	€ 19.841	€ 20.272	€ 20.706	€ 21.135	€ 21.728	€ 22.080	€ 22.938	€ 23.367	€ 1.575	€ 393
400 cm	€ 10.169	€ 10.614	€ 11.180	€ 11.808	€ 13.734	€ 14.193	€ 14.642	€ 15.246	€ 15.800	€ 16.188	€ 16.740	€ 17.342	€ 20.036	€ 20.318	€ 20.602	€ 21.043	€ 21.488	€ 21.928	€ 22.532	€ 22.893	€ 23.760	€ 24.201	€ 1.700	€ 443
450 cm	€ 10.586	€ 11.042	€ 11.621	€ 12.259	€ 14.298	€ 14.766	€ 15.227	€ 15.842	€ 16.407	€ 16.804	€ 17.367	€ 17.981	€ 20.796	€ 21.087	€ 21.379	€ 21.833	€ 22.286	€ 22.739	€ 23.353	€ 23.720	€ 24.597	€ 25.049	€ 1.824	€ 493
500 cm	€ 10.995	€ 11.463	€ 12.053	€ 12.702	€ 14.852	€ 15.332	€ 15.801	€ 16.428	€ 17.005	€ 17.409	€ 17.983	€ 18.606	€ 21.546	€ 21.845	€ 22.145	€ 22.609	€ 23.074	€ 23.535	€ 24.161	€ 24.538	€ 25.426	€ 25.889	€ 1.950	€ 543
550 cm	€ 11.627	€ 12.319	€ 12.964	€ 13.673	€ 15.965	€ 16.502	€ 17.187	€ 17.711	€ 18.506	€ 18.960	€ 19.589	€ 20.271	€ 23.015	€ 23.533	€ 24.053	€ 24.596	€ 25.279	€ 25.797	€ 26.478	€ 26.898	€ 27.842	€ 28.523	€ 2.076	€ 593
600 cm	€ 12.047	€ 12.749	€ 13.410	€ 14.127	€ 16.529	€ 17.077	€ 17.776	€ 18.311	€ 19.115	€ 19.578	€ 20.217	€ 20.911	€ 23.797	€ 24.326	€ 24.857	€ 25.387	€ 26.079	€ 26.610	€ 27.300	€ 27.729	€ 28.683	€ 29.375	€ 2.200	€ 643
650 cm	€ 12.461	€ 13.177	€ 13.846	€ 14.575	€ 17.086	€ 17.649	€ 18.358	€ 18.903	€ 19.718	€ 20.120	€ 20.765	€ 21.468	€ 24.543	€ 25.086	€ 25.632	€ 26.175	€ 26.795	€ 27.417	€ 28.117	€ 28.555	€ 29.520	€ 30.221	€ 2.326	€ 693
700 cm	€ 12.875	€ 13.600	€ 14.279	€ 15.023	€ 17.648	€ 18.218	€ 18.937	€ 19.496	€ 20.322	€ 20.727	€ 21.387	€ 22.098	€ 25.311	€ 25.856	€ 26.405	€ 26.957	€ 27.668	€ 28.221	€ 28.935	€ 29.377	€ 30.356	€ 31.066	€ 2.450	€ 743
750 cm	€ 13.813	€ 14.549	€ 15.241	€ 15.992	€ 18.731	€ 19.314	€ 20.043	€ 20.609	€ 21.449	€ 21.860	€ 22.529	€ 23.253	€ 26.582	€ 27.141	€ 27.702	€ 28.265	€ 28.987	€ 29.550	€ 30.274	€ 30.726	€ 31.713		€ 2.576	€ 1.073 included side beam pillar

FS5-A	€ 44	€ 56	€ 65	€ 75	€ 87	€ 96	€ 108	€ 117	€ 129	€ 139	€ 150	€ 160	€ 171	€ 181	€ 192	€ 202	€ 214	€ 223	€ 235	€ 244	€ 256	€ 266
FS5-E	€ 61	€ 77	€ 90	€ 103	€ 119	€ 132	€ 148	€ 162	€ 178	€ 191	€ 207	€ 220	€ 236	€ 249	€ 265	€ 278	€ 294	€ 307	€ 323	€ 336	€ 352	€ 366

FS5-A	Additional Fabric Support Profile (Standard)
FS4-L1600 (R97)	Additional Rail - Al. 110x160mm
FS9	Side Beam - Al. 50x150mm
FS8	Lighting System

FS8	
FS8-S	SPOT
FS8-L	LINEAR
FS8-LR	LINEAR (RGB)

LED TYPE & MODULE		
2 LED	3 LED	4 LED
€ 136	€ 165	€ 194
€ 194	€ 252	
€ 247	€ 320	

Notes:

- FS9-L1600 (Y64) Side Beam is included in the price for right and left side as a standard. For other option which is FS9 (Al. 50x150mm) doesn't apply any charge. But, please define on your technical drawing.
- If the projection is bigger than 700cm, a side beam pillar needs to be added up to rail, FS15-L1600-side beam pillar (100x100mm -Al) for 1600 series, included in the product price.
- FS Flexy Plain/3D or Stam 6002 is included in the price.
- Motor and Remote control is included in the price.
- Palmiye Aluminium Coating Catalogue includes the standard colours with no extra cost. For any other type/brand/color of paint, price difference and additional delivery duration shall be checked from your customer representative.
- Standard "Fabric support profile plastic colors" are specified in our Aluminium coating catalogue.

DEDUCTIONS

Price deduction is applicable only for pillars and beam. Deduction amount shall be consider as 70% of related option price.

OPTIONS			
FS10-L1600 (ALM-16)	Extra pillar (100x160mm Al.) for L1600 series	€ 362	pcs
FS10	Extra pillar (100x100mm Al.)	€ 540	pcs
FS10-ST3	Extra pillar (100x100x3mm St.)	€ 671	pcs
FS10-ST5	Extra pillar (100x100x5mm St.)	€ 978	pcs
FS11	Deco ceiling cover	€ 75	m ²
FS13-A	Wavy ceiling cover (for flexy fabric) (up to 350 cm width)	€ 38	m ²
FS15	Side beam pillar (50x100mm- Al)	€ 280	pcs
FS15-L1600 (ALM-11)	Side beam pillar (100x100mm- Al) for L1600 series	€ 355	pcs
FS19	Fix louver	€ 74	lm
FS23	External Square Downpipe	€ 330	pcs
FS24	W96 Ceiling Cover	€ 86	m ²
FS26	Exclusive fabric difference (up to 800cm width)	€ 51	m ²
FS29-1	Sun Sensor (SUNIS) (for single motor)	€ 625	pcs
FS29-1S	Sun Sensor (SUNIS) (for synchronized motor)	€ 989	pcs
FS29-2	Wind Sensor (EOLIS RTS) (for single motor)	€ 292	pcs
FS29-2S	Wind Sensor (EOLIS RTS) (for synchronized motor)	€ 657	pcs
FS29-3	Sun and Wind Sensor (SOLIRIS RTS) (for single motor)	€ 331	pcs
FS29-3S	Sun and Wind Sensor (SOLIRIS RTS) (for synchronized motor)	€ 696	pcs
FS29-4	* Rain Sensor (ONDEIS) (for single motor)	€ 574	pcs
FS29-4S	* Rain Sensor (ONDEIS) (for synchronized motor)	€ 939	pcs
FS30	CONNEXOON	€ 525	pcs

EXTENSIONS		
L1600 Rail - 110x160mm	€ 270	lm
Beam Profile (Al. 100x150mm)	€ 155	lm
Beam Profile (St. 100x150x3mm)	€ 320	lm
Beam Profile (St. 100x150x5mm)	€ 388	lm
Beam Profile (St. 100x200x3mm)	€ 324	lm
Beam Profile (St. 100x200x5mm)	€ 461	lm
Fabric protection cover (Al. - 63x___cm)	€ 60	m ²
L1600 Gutter	€ 105	lm

*Max. Al. Front pillar (Al. 100x160mm) height is 280cm.

*Max. St 3mm. Front pillar (St. 100x100x3mm) height is 380cm.

*Max. St. 5mm Front pillar (St. 100x100x5mm) height is 480cm.

PRICE DIFFERENCE			
BEAM GROUP			
Back Beam	Standard	Al. 100x150mm	
	to	St. 100x150x3mm	€ 160 lm
		St. 100x150x5mm	€ 238 lm
		St. 100x200x3mm	€ 165 lm
		St. 100x200x5mm	€ 311 lm
PILLAR GROUP			
Front Pillar	Standard	Al. 100x160mm	
	to	Al. 100x100mm	€ 178 pcs
		St. 100x100x3mm	€ 197 pcs
		St. 100x100x5mm	€ 512 pcs
		St. 150x150x3mm	€ 787 pcs
St. 150x150x5mm	€ 1.288 pcs		
Back Pillar	Standard	Al. 100x100mm	
	to	St. 100x100x3mm	€ 111 pcs
		St. 100x100x5mm	€ 456 pcs
		St. 150x150x3mm	€ 696 pcs
		St. 150x150x5mm	€ 1.231 pcs

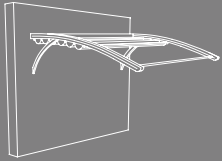
Notes:

1. Fabric support profiles can be painted in the same color as the general construction. No fee is paid for this process.

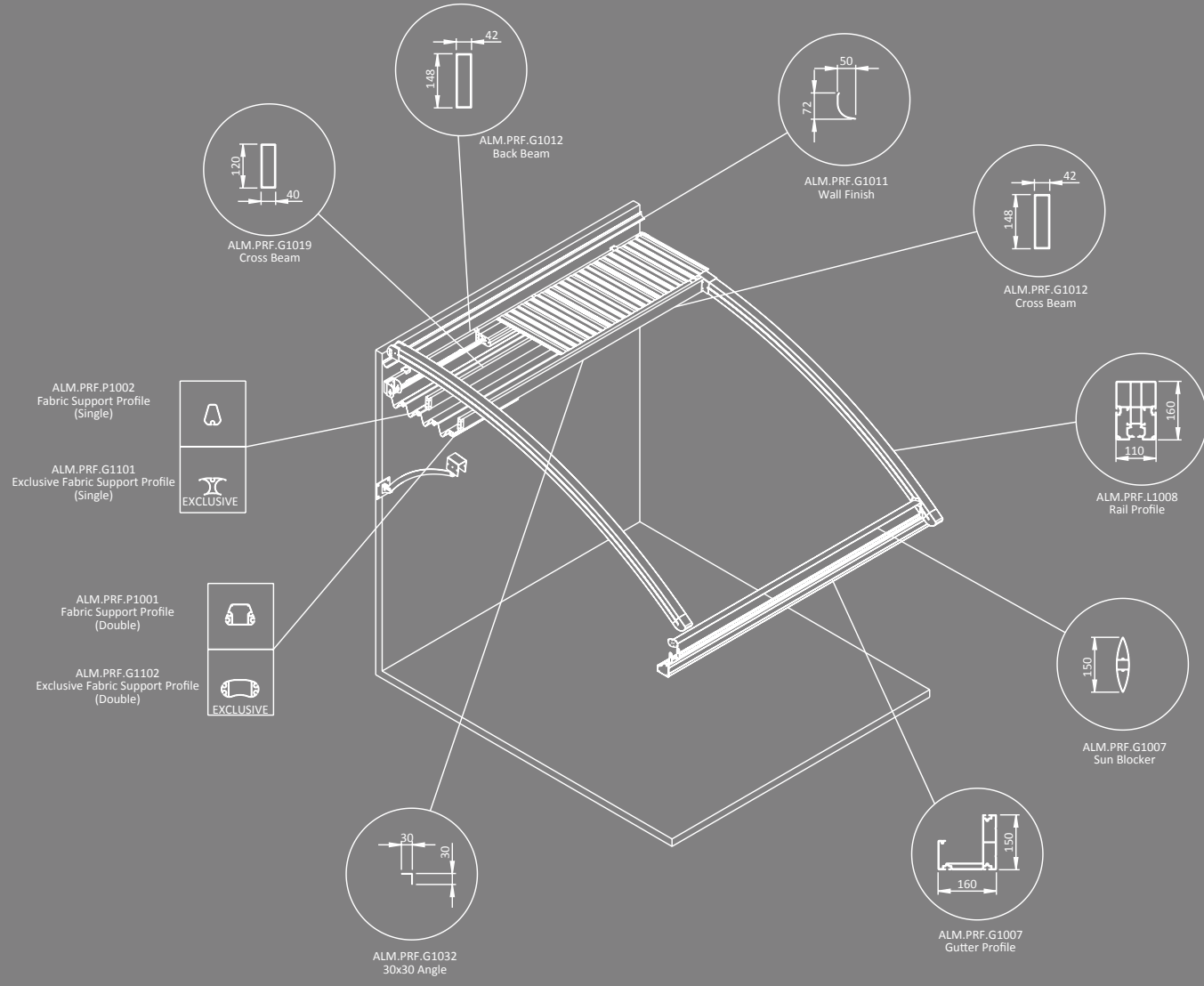
However, the plastic color should be specified from our standard plastic colours in Palmiye Color Chart.

2. For one product, a dry contact transmitter costing 370€, must be added.

3. Up to 5 products, a RS485 Automation interface dry contact transmitter costing 1126€, must be added.



BRACKET SYSTEM



TECHNICAL DETAILS

WATER DRAIN&GUTTER CALCULATION

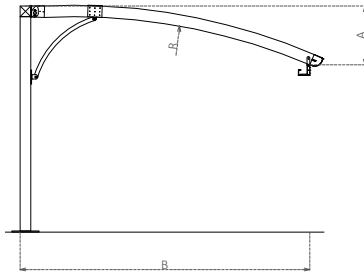
PRODUCT TYPE	MAX. M ²	USED PRODUCT TYPE
WATER DRAINAGE 45	34m ²	1200 Series Standard
WATER DRAINAGE 65	42m ²	Standard

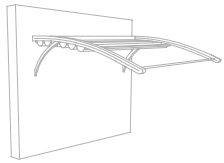
*There should be at least one drainage, each 8 m length gutter.

RADIUS CHART

RADIUS	R850	R1500
Projection	A	B
250	63	
300	83	
350	107	
400	135	82

*The values are approx. ± 5 cm

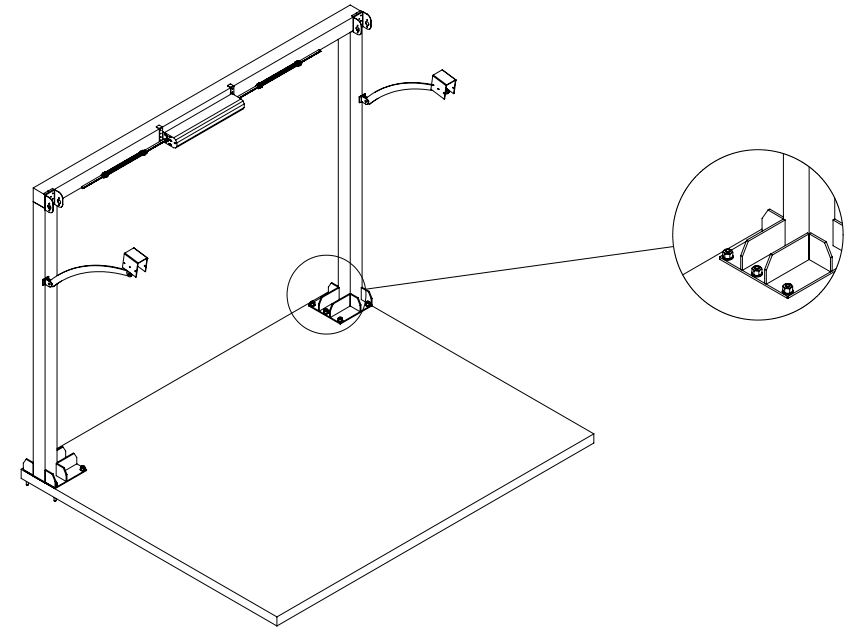




BRACKET SYSTEM

		WIDTH			
		2 RAIL			
		250 cm	300 cm	350 cm	400 cm
PROJECTION	200 cm	€ 7.120	€ 7.470	€ 7.967	€ 8.474
	250 cm	€ 7.415	€ 7.945	€ 8.430	€ 8.805
	300 cm	€ 7.940	€ 8.530	€ 9.073	€ 9.509
	350 cm	€ 8.415	€ 8.846	€ 9.400	€ 10.017
	400 cm	€ 8.721	€ 9.164	€ 9.731	€ 10.358
	G22	€ 251	€ 259	€ 282	€ 312
	FS5-A	€ 44	€ 56	€ 65	€ 75
	FS5-E	€ 61	€ 77	€ 90	€ 103
	FS5-A	Additional Fabric Support Profile (Standard)			
	FS8	Lighting System			
	G22	L1600 Gutter System			

		LED TYPE & MODULE		
FS8		2 LED	3 LED	4 LED
FS8-S	SPOT	€ 136	€ 165	€ 194
FS8-L	LINEAR	€ 194	€ 252	
FS8-LR	LINEAR (RGB)	€ 247	€ 320	



- * Distance between two pillars depends on the system width.
- * For the systems with 2 units next to each other, one of the pillars in the middle will be removed.
- * Strut support apparatus is used under each rail.
- * Pillar and beam are used as 150*150*3mm in standard.

Notes:

1. Modules can not be combined.
2. Side beam is not applicable
3. FS Flexy Plain/3D or Stam 6002 is included in the price.
4. Motor and Remote control is included in the price.
5. Palmiye Aluminium Coating Catalogue includes the standard colours with no extra cost. For any other type/brand/color of paint, price difference and additional delivery duration shall be checked from your customer representative.
6. Standard "Fabric support profile plastic colors" are specified in our Aluminium coating catalogue.

OPTIONS			
FS10-L1600 (ALM-16)	Extra pillar (100x160mm Al.) for L1600 series	€ 362	pcs
FS10	Extra pillar (100x100mm Al.)	€ 540	pcs
FS10-ST3	Extra pillar (100x100x3mm St.)	€ 671	pcs
FS10-ST5	Extra pillar (100x100x5mm St.)	€ 978	pcs
FS11	Deco ceiling cover	€ 75	m ²
FS13-A	Wavy ceiling cover (for flexy fabric) (up to 350 cm width)	€ 38	m ²
FS15	Side beam pillar (50x100mm- Al)	€ 280	pcs
FS15-L1600 (ALM-11)	Side beam pillar (100x100mm- Al) for L1600 series	€ 355	pcs
FS19	Fix louver	€ 74	lm
FS23	External Square Downpipe	€ 330	pcs
FS24	W96 Ceiling Cover	€ 86	m ²
FS26	Exclusive fabric difference (up to 800cm width)	€ 51	m ²
FS28-1	Stainless steel chain- 100 cm	€ 78	1m
FS28-2	Stainless steel chain- 200 cm	€ 153	2m
FS28-3	Stainless steel chain- 300 cm	€ 230	3m
FS28-4	Stainless steel chain- 400 cm	€ 306	4m
FS29-1	Sun Sensor (SUNIS) (for single motor)	€ 625	pcs
FS29-2	Wind Sensor (EOLIS RTS) (for single motor)	€ 292	pcs
FS29-3	Sun and Wind Sensor (SOLIRIS RTS) (for single motor)	€ 331	pcs
FS29-4	* Rain Sensor (ONDEIS) (for single motor)	€ 574	pcs
FS30	CONNEXOON	€ 525	pcs
FS10-150ST5-H	Extra half pillar (150x150x5mm St.)	€ 210	pcs
FS10-150ST3	Extra pillar (150x150x3mm St.)	€ 1.252	pcs
FS10-150ST5	Extra pillar (150x150x5mm St.)	€ 1.751	pcs

EXTENSIONS		
L1600 Rail - 110x160mm	€ 270	lm
Beam Profile (Al. 42x150mm)	€ 105	lm
Beam Profile (Al. 50x150mm)	€ 185	lm
Beam Profile (Al. 100x150mm)	€ 155	lm
Beam Profile (St. 100x150x3mm)	€ 320	lm
Beam Profile (St. 100x150x5mm)	€ 388	lm
Beam Profile (St. 100x200x3mm)	€ 324	lm
Beam Profile (St. 100x200x5mm)	€ 461	lm
Beam Profile (St. 150x150x3mm)	€ 439	lm
Beam Profile (St. 150x150x5mm)	€ 616	lm
Fabric protection cover (Al. - 63x__cm)	€ 60	m ²
L1600 Gutter	€ 105	lm

PRICE DIFFERENCE			
BEAM GROUP			
Standard	Al. 42x150mm		
Back Beam	to	Al. 50x150mm	€ 81 lm
		St. 50x150x3mm	€ 104 lm
		St. 50x150x5mm	€ 192 lm
		Al. 100x150mm	€ 48 lm
		St. 100x150x3mm	€ 210 lm
		St. 100x150x5mm	€ 285 lm
		St. 100x200x3mm	€ 215 lm
		St. 100x200x5mm	€ 359 lm

Notes:

1. Fabric support profiles can be painted in the same color as the general construction. No fee is paid for this process. However, the plastic color should be specified from our standard plastic colours in Palmiye Color Chart.
2. For one product, a dry contact transmitter costing 370€, must be added.
3. Up to 5 products, a RS485 Automation interface dry contact transmitter costing 1126€, must be added.
4. The prices in the main table are for wall mounted products. This model also can be made as freestanding. For freestanding applications "FS10-150ST3" or "FS10-150ST5" pillar options and "St. 150x150x3mm" or "St. 150x150x5mm" back beam options should be added to the main prices.

TECHNICAL DETAILS

WATER DRAIN&GUTTER CALCULATION

PRODUCT TYPE	MAX. M ²	USED PRODUCT TYPE
WATER DRAINAGE 45	34m ²	1200 Series Standard
WATER DRAINAGE 65	42m ²	Standard

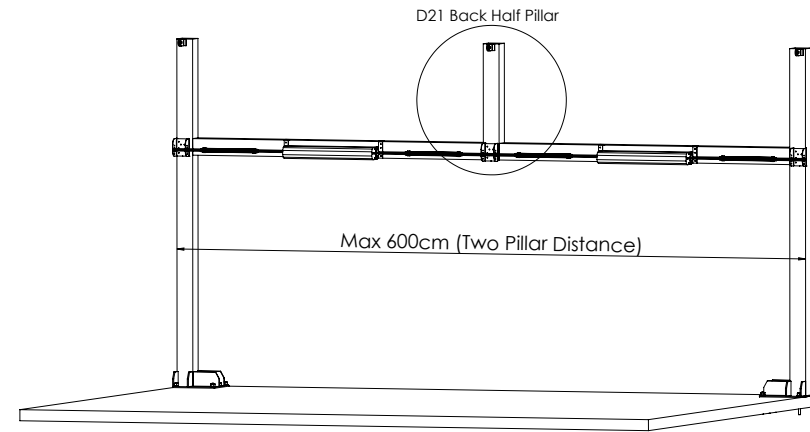
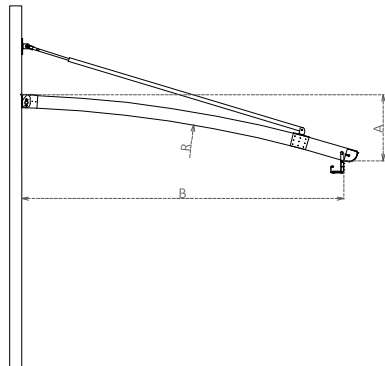
*There should be at least one drainage, each 8 m length gutter.

RADIUS CHART

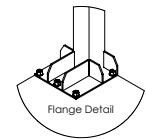
RADIUS	850	1500	2850
--------	-----	------	------

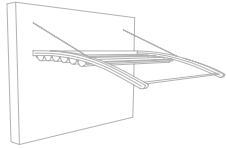
B	A		
250	63		
300	83		
350	107		
400	135	82	
450	168	98	
500		116	
550		137	
600		160	93

*The values are approx. ± 5 cm



- This model includes 3m steel back beam and pillars.
- The front beam can not be produced in steel.
- Ground flanges are 380x380x15 mm.
- When pillar reduction is applied, half pillar must be installed at the back of each rail shaft, and all steel pillars should be 150x150x5 mm.
- In condition of adding an additional rail, a steel 150x150x3m back pillar should also be added.





HANGING SYSTEM

WIDTH																							FS4-L1600 (R97)	
PROJECTION	2 RAIL				3 RAIL								4 RAIL						5 RAIL					
	250 cm	300 cm	350 cm	400 cm	450 cm	500 cm	550 cm	600 cm	650 cm	700 cm	750 cm	800 cm	850 cm	900 cm	950 cm	1000 cm	1050 cm	1100 cm	1150 cm	1200 cm	1250 cm	1300 cm		
200 cm	€ 7.161	€ 7.513	€ 8.013	€ 8.524	€ 9.688	€ 10.052	€ 10.406	€ 10.760	€ 11.391	€ 11.698	€ 12.159	€ 12.510	€ 14.091	€ 14.443	€ 14.799	€ 15.148	€ 15.500	€ 15.852	€ 16.202	€ 16.486	€ 16.940	€ 17.456	€ 1.202	
250 cm	€ 7.458	€ 7.990	€ 8.478	€ 8.857	€ 10.129	€ 10.503	€ 11.035	€ 11.398	€ 11.875	€ 12.192	€ 12.663	€ 13.191	€ 15.058	€ 15.253	€ 15.450	€ 15.809	€ 16.340	€ 16.699	€ 17.061	€ 17.353	€ 17.821	€ 18.346	€ 1.326	
300 cm	€ 7.987	€ 8.580	€ 9.125	€ 9.565	€ 10.984	€ 11.418	€ 12.008	€ 12.429	€ 12.964	€ 13.330	€ 13.863	€ 14.447	€ 16.472	€ 16.726	€ 16.981	€ 17.399	€ 17.989	€ 18.405	€ 18.827	€ 19.167	€ 19.689	€ 20.271	€ 1.452	
350 cm	€ 8.464	€ 8.896	€ 9.454	€ 10.074	€ 11.600	€ 12.047	€ 12.483	€ 13.080	€ 13.628	€ 14.002	€ 14.545	€ 15.144	€ 17.465	€ 17.723	€ 17.982	€ 18.411	€ 18.845	€ 19.272	€ 19.869	€ 20.218	€ 20.752	€ 21.181	€ 1.575	
400 cm	€ 8.771	€ 9.216	€ 9.786	€ 10.417	€ 12.056	€ 12.513	€ 12.960	€ 13.569	€ 14.127	€ 14.511	€ 15.067	€ 15.673	€ 18.100	€ 18.377	€ 18.656	€ 19.095	€ 19.542	€ 19.980	€ 20.587	€ 20.945	€ 21.490	€ 21.930	€ 1.700	
450 cm	€ 9.089	€ 9.545	€ 10.126	€ 10.769	€ 12.522	€ 12.990	€ 13.450	€ 14.072	€ 14.640	€ 15.033	€ 15.600	€ 16.218	€ 18.772	€ 19.056	€ 19.344	€ 19.796	€ 20.250	€ 20.702	€ 21.320	€ 21.683	€ 22.241	€ 22.691	€ 1.824	
500 cm	€ 9.400	€ 9.868	€ 10.462	€ 11.116	€ 12.983	€ 13.464	€ 13.932	€ 14.563	€ 15.146	€ 15.546	€ 16.123	€ 16.752	€ 19.435	€ 19.728	€ 20.023	€ 20.486	€ 20.952	€ 21.413	€ 22.042	€ 22.416	€ 22.984	€ 23.445	€ 1.950	
550 cm	€ 9.711	€ 10.192	€ 10.796	€ 11.462	€ 13.444	€ 13.936	€ 14.413	€ 15.056	€ 15.653	€ 16.059	€ 16.649	€ 17.288	€ 20.096	€ 20.398	€ 20.702	€ 21.177	€ 21.654	€ 22.123	€ 22.764	€ 23.148	€ 23.727	€ 24.201	€ 2.076	
600 cm	€ 10.022	€ 10.514	€ 11.130	€ 11.809	€ 13.905	€ 14.409	€ 14.894	€ 15.548	€ 16.159	€ 16.572	€ 17.172	€ 17.825	€ 20.759	€ 21.070	€ 21.381	€ 21.867	€ 22.357	€ 22.834	€ 23.486	€ 23.881	€ 24.471	€ 24.955	€ 2.200	
G22	€ 251	€ 259	€ 282	€ 312	€ 340	€ 363	€ 391	€ 416	€ 442	€ 467	€ 601	€ 627	€ 655	€ 679	€ 708	€ 735	€ 759	€ 786	€ 811	€ 839	€ 863	€ 890		
FS5-A	€ 44	€ 56	€ 65	€ 75	€ 87	€ 96	€ 108	€ 117	€ 129	€ 139	€ 150	€ 160	€ 171	€ 181	€ 192	€ 202	€ 214	€ 223	€ 235	€ 244	€ 256	€ 266		
FS5-E	€ 61	€ 77	€ 90	€ 103	€ 119	€ 132	€ 148	€ 162	€ 178	€ 191	€ 207	€ 220	€ 236	€ 249	€ 265	€ 278	€ 294	€ 307	€ 323	€ 336	€ 352	€ 366		

G22	L1600 Gutter System
FS5-A	Additional Fabric Support Profile (Standard)
FS4-L1600 (R97)	Additional Rail - Al. 110x160mm
FS8	Lighting System

FS8	
FS8-S	SPOT
FS8-L	LINEAR
FS8-LR	LINEAR (RGB)

LED TYPE & MODULE		
2 LED	3 LED	4 LED
€ 136	€ 165	€ 194
€ 194	€ 252	
€ 247	€ 320	

Notes:

1. FS Flexy Plain/3D or Stam 6002 is included in the price.
2. Motor and Remote control is included in the price.
3. Palmye Aluminium Coating Catalogue includes the standard colours with no extra cost. For any other type/brand/color of paint, price difference and additional delivery duration shall be checked from your customer representative.
4. Standard "Fabric support profile plastic colors" are specified in our Aluminium coating catalogue.

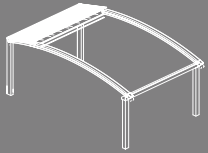
OPTIONS			
FS10-L1600 (ALM-16)	Extra pillar (100x160mm Al.) for L1600 series	€ 362	pcs
FS10	Extra pillar (100x100mm Al.)	€ 540	pcs
FS10-ST3	Extra pillar (100x100x3mm St.)	€ 671	pcs
FS10-ST5	Extra pillar (100x100x5mm St.)	€ 978	pcs
FS11	Deco ceiling cover	€ 75	m ²
FS13-A	Wavy ceiling cover (for flexy fabric) (up to 350 cm width)	€ 38	m ²
FS15	Side beam pillar (50x100mm - Al)	€ 280	pcs
FS15-L1600 (ALM-11)	Side beam pillar (100x100mm - Al) for L1600 series	€ 355	pcs
FS19	Fix louver	€ 74	lm
FS23	External Square Downpipe	€ 330	pcs
FS24	W96 Ceiling Cover	€ 86	m ²
FS26	Exclusive fabric difference (up to 800cm width)	€ 51	m ²
FS28-1	Stainless steel chain - 100 cm	€ 78	1m
FS28-2	Stainless steel chain - 200 cm	€ 153	2m
FS28-3	Stainless steel chain - 300 cm	€ 230	3m
FS28-4	Stainless steel chain - 400 cm	€ 306	4m
FS29-1	Sun Sensor (SUNIS) (for single motor)	€ 625	pcs
FS29-1S	Sun Sensor (SUNIS) (for synchronized motor)	€ 989	pcs
FS29-2	Wind Sensor (EOLIS RTS) (for single motor)	€ 292	pcs
FS29-2S	Wind Sensor (EOLIS RTS) (for synchronized motor)	€ 657	pcs
FS29-3	Sun and Wind Sensor (SOLIRIS RTS) (for single motor)	€ 331	pcs
FS29-3S	Sun and Wind Sensor (SOLIRIS RTS) (for synchronized motor)	€ 696	pcs
FS29-4	* Rain Sensor (ONDEIS) (for single motor)	€ 574	pcs
FS29-4S	* Rain Sensor (ONDEIS) (for synchronized motor)	€ 939	pcs
FS30	CONNEXOON	€ 525	pcs
FS10-150ST5-H	Extra half pillar (150x150x5mm St.)	€ 210	pcs
FS10-150ST3	Extra pillar (150x150x3mm St.)	€ 1.252	pcs
FS10-150ST5	Extra pillar (150x150x5mm St.)	€ 1.751	pcs

EXTENSIONS		
L1600 Rail - 110x160mm	€ 270	lm
Beam Profile (Al. 42x150mm)	€ 105	lm
Beam Profile (Al. 50x150mm)	€ 185	lm
Beam Profile (Al. 100x150mm)	€ 155	lm
Beam Profile (St. 100x150x3mm)	€ 320	lm
Beam Profile (St. 100x150x5mm)	€ 388	lm
Beam Profile (St. 100x200x3mm)	€ 324	lm
Beam Profile (St. 100x200x5mm)	€ 461	lm
Beam Profile (St. 150x150x3mm)	€ 439	lm
Beam Profile (St. 150x150x5mm)	€ 616	lm
Fabric protection cover (Al. - 63x___cm)	€ 60	m ²
L1600 Gutter	€ 105	lm

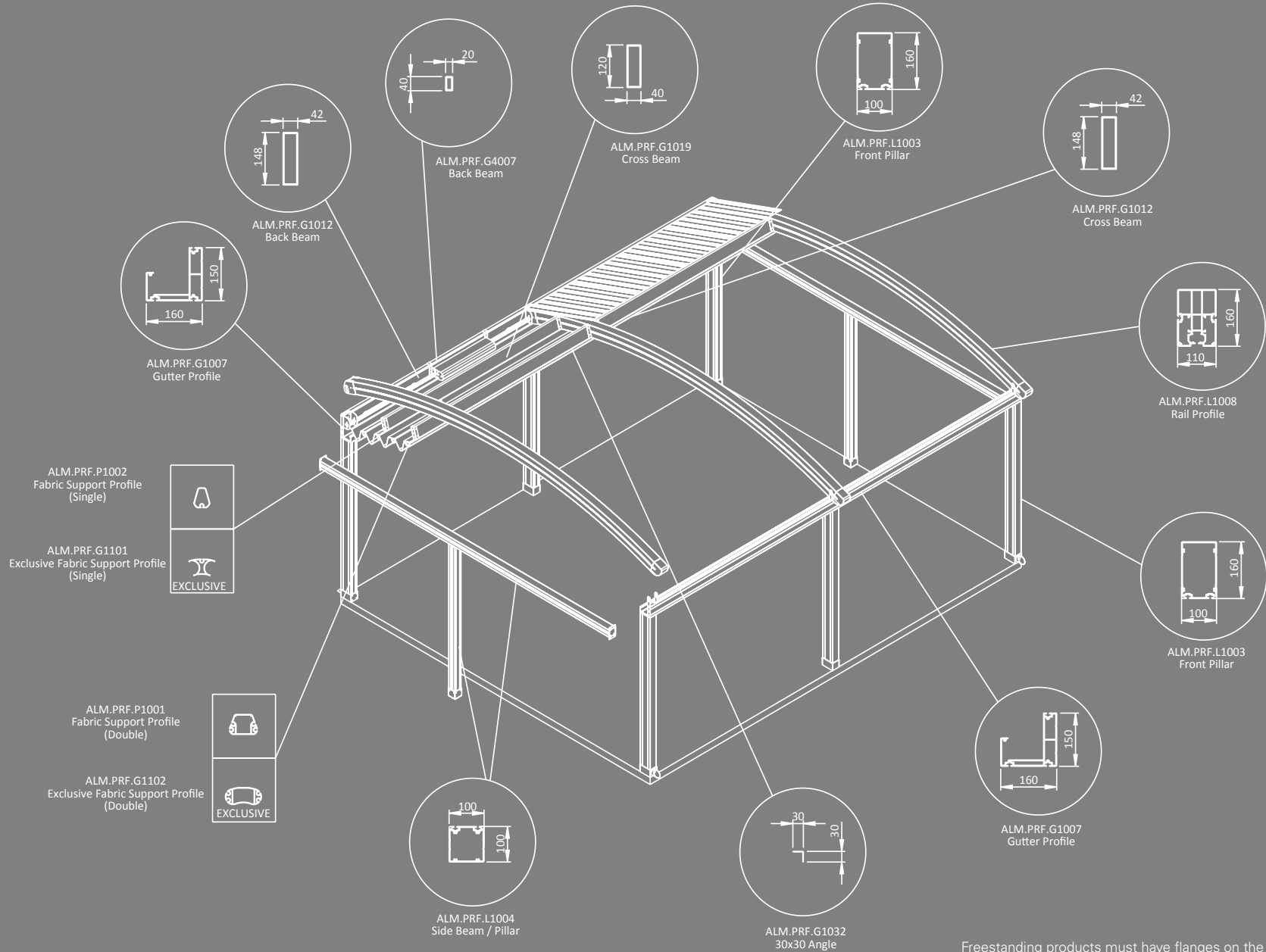
PRICE DIFFERENCE			
		BEAM GROUP	
Standard	Al. 42x150mm		
Back Beam to	Al. 50x150mm	€ 81	lm
	St. 50x150x3mm	€ 104	lm
	St. 50x150x5mm	€ 192	lm
	Al. 100x150mm	€ 48	lm
	St. 100x150x3mm	€ 210	lm
	St. 100x150x5mm	€ 285	lm
	St. 100x200x3mm	€ 215	lm
	St. 100x200x5mm	€ 359	lm

Notes:

1. Fabric support profiles can be painted in the same color as the general construction. No fee is paid for this process. However, the plastic color should be specified from our standard plastic colours in Palmiye Color Chart.
2. For one product, a dry contact transmitter costing 370€, must be added.
3. Up to 5 products, a RS485 Automation interface dry contact transmitter costing 1126€, must be added.
4. The prices in the main table are for wall mounted products. This model also can be made as freestanding. For freestanding applications "FS10-150ST3" or "FS10-150ST5" pillar options and "St. 150x150x3mm" or "St. 150x150x5mm" back beam options should be added to the main prices.



TWIN STANDING SYSTEM WITH FRONT PILLAR SINGLE MOTOR



Freestanding products must have flanges on the pillars.

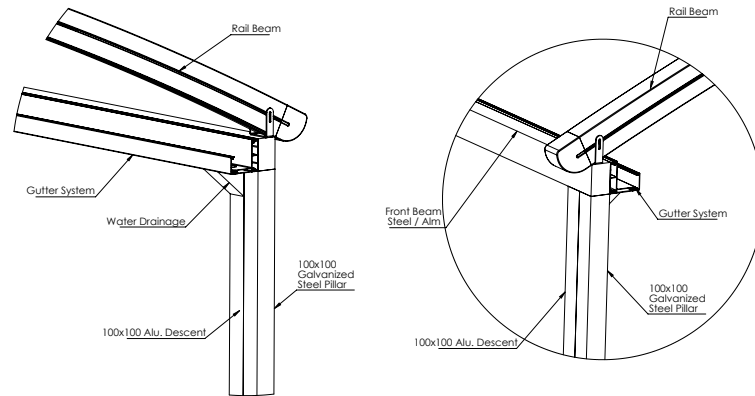
TECHNICAL DETAILS

WATER DRAIN&GUTTER CALCULATION

PRODUCT TYPE	MAX. M ²	USED PRODUCT TYPE
WATER DRAINAGE 45	34m ²	1200 Series Standard
WATER DRAINAGE 65	42m ²	Standard

*There should be at least one drainage, each 8 m length gutter.

APPLICATION FORM IN STEEL FRONT BEAM AND DEVICE



* In use of aluminum front pillar of 100*100 and front beam of 100*150 water drain, is applied from the available pillar. No external descent is applied.

TERMS OF USE OF FRONT PILLAR AND FRONT BEAM

		OUT TO OUT PILLAR SIZE				
		450	550	600	650	700
PROJECTION	450	A	A	B	B	C
	500	A	A	B	B	C
	550	A	A	B	C	C
	600	A	B	B	C	C
	650	A	B	C	C	C
	700	A	B	C	C	C
	750	A	B	C	C	C
	F. PILLAR F. BEAM	A	100*100 ALU 100*150 ALU	B	100*100*3 G.S 100*150*3 G.S	C

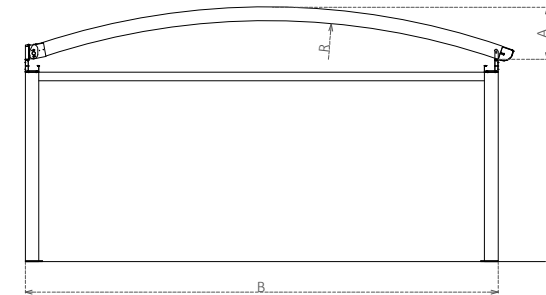
- * Use of front pillar and beam should be additionally priced.
- * Floor mounting of the pillar is performed with flange of 200*200*10 mm or ground anchor.
- * Application is made behind the gutter system.
- * Maximum height is 4m for aluminum front pillars and 5m for steel front pillars.
- * If front pillar and beam is made of steel, water drain is given from empty aluminum box profile of 100*100.

RADIUS CHART

RADIUS	R615	R850
--------	------	------

Projection	A		B
	R615	R850	
250	27		
300	33		
350	39		
400	47		
450	56	45	
500	66	53	
550	77	61	
600		70	
650		80	
700		91	
750		103	

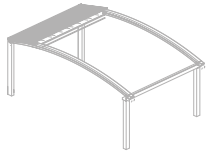
*The values are approx. ± 5 cm



TERMS OF USE OF BACK PILLAR AND BACK BEAM

		OUT TO OUT PILLAR SIZE						
		500	550	600	700	750	800	900
PROJECTION	450	B	B	C	C	D	D	D
	500	B	B	C	C	D	D	D
	550	B	B	C	C	D	D	D
	600	C	C	C	C	D	D	D
	650	C	C	C	C	D	D	D
	700	C	C	C	C	D	D	D
	750	C	C	D	D	D	D	D
	BACK PILLAR BACK BEAM	B	100*100 ALU 100*150 ALU	C	100*100*3 G.S 100*150*3 G.S	D	100*100*5 G.S 100*200*5 G.S	

- * Use of back pillar and beam should be additionally priced.
- * Floor mounting of the pillar is performed with flange of 200*200*10 mm or ground anchor.
- * Maximum height is 4m for aluminum back pillars and 5m for steel back pillars.
- * If back pillar and beam is made of steel, water drain is given from empty aluminum box profile of 100*100mm



TWIN STANDING SYSTEM WITH FRONT PILLAR SINGLE MOTOR

		WIDTH																				FS4-L1600 (R97)		
		2 RAIL			3 RAIL							4 RAIL						5 RAIL						
		250 cm	300 cm	350 cm	400 cm	450 cm	500 cm	550 cm	600 cm	650 cm	700 cm	750 cm	800 cm	850 cm	900 cm	950 cm	1000 cm	1050 cm	1100 cm	1150 cm	1200 cm		1250 cm	1300 cm
PROJECTION	400 cm	€ 10.934	€ 11.421	€ 12.043	€ 13.189	€ 15.008	€ 15.508	€ 15.998	€ 16.665	€ 17.272	€ 17.692	€ 19.258	€ 19.969	€ 21.728	€ 22.210	€ 22.694	€ 23.175	€ 23.661	€ 24.390	€ 25.055	€ 25.445	€ 26.267	€ 26.746	€ 1.700
	450 cm	€ 11.268	€ 11.768	€ 12.404	€ 13.659	€ 15.507	€ 16.020	€ 16.522	€ 17.201	€ 17.821	€ 18.252	€ 19.939	€ 20.668	€ 22.444	€ 22.939	€ 23.436	€ 23.929	€ 24.424	€ 25.170	€ 25.845	€ 26.242	€ 27.076	€ 27.568	€ 1.824
	500 cm	€ 11.597	€ 12.108	€ 12.756	€ 14.122	€ 16.000	€ 16.525	€ 17.036	€ 17.728	€ 18.364	€ 18.800	€ 20.609	€ 21.358	€ 23.152	€ 23.659	€ 24.169	€ 24.675	€ 25.182	€ 25.936	€ 26.624	€ 27.032	€ 27.879	€ 28.385	€ 1.950
	550 cm	€ 12.174	€ 12.940	€ 13.653	€ 15.130	€ 17.122	€ 17.714	€ 18.470	€ 19.043	€ 19.926	€ 20.421	€ 22.185	€ 23.068	€ 24.998	€ 25.595	€ 26.194	€ 26.790	€ 27.545	€ 28.363	€ 29.114	€ 29.571			€ 2.076
	600 cm	€ 12.512	€ 13.291	€ 14.020	€ 15.601	€ 17.624	€ 18.227	€ 19.000	€ 19.587	€ 20.478	€ 20.984	€ 23.036	€ 23.895	€ 25.802	€ 26.383	€ 26.966	€ 27.548	€ 28.315	€ 29.144					€ 2.200
	650 cm	€ 12.839	€ 13.634	€ 14.374	€ 16.057	€ 18.114	€ 18.732	€ 19.519	€ 20.117	€ 21.020	€ 21.458	€ 23.695	€ 24.578	€ 26.506	€ 27.103	€ 27.702	€ 28.299							€ 2.326
	700 cm	€ 13.169	€ 13.975	€ 14.726	€ 16.533	€ 18.613	€ 19.242	€ 20.035	€ 20.650	€ 21.567	€ 22.008	€ 24.387	€ 25.284	€ 27.227	€ 27.832									€ 2.450
	750 cm	€ 14.044	€ 14.863	€ 15.628	€ 17.543	€ 19.652	€ 20.294	€ 21.102	€ 21.725	€ 22.656	€ 23.105	€ 25.609	€ 26.524											€ 2.576

FS5-A	€ 44	€ 56	€ 65	€ 75	€ 87	€ 96	€ 108	€ 117	€ 129	€ 139	€ 150	€ 160	€ 171	€ 181	€ 192	€ 202	€ 214	€ 223	€ 235	€ 244	€ 256	€ 266
FS5-E	€ 61	€ 77	€ 90	€ 103	€ 119	€ 132	€ 148	€ 162	€ 178	€ 191	€ 207	€ 220	€ 236	€ 249	€ 265	€ 278	€ 294	€ 307	€ 323	€ 336	€ 352	€ 366

FS5-A	Additional Fabric Support Profile (Standard)
FS4-L1600 (R97)	Additional Rail - Al. 110x160mm
FS9-L1600 (Y64)	Side Beam - Al. 100x100mm
FS9	Side Beam - Al. 50x150mm
FS8	Lighting System

FS8	
FS8-S	SPOT
FS8-L	LINEAR
FS8-LR	LINEAR (RGB)

LED TYPE & MODULE		
2 LED	3 LED	4 LED
€ 136	€ 165	€ 194
€ 194	€ 252	
€ 247	€ 320	

Notes:

- FS9-L1600 (Y64) Side Beam is included in the price for right and left side as a standard. For other option which is FS9 (Al. 50x150mm) doesn't apply any charge. But, please define on your technical drawing.
- If the projection is bigger than 700cm, a side beam pillar needs to be added up to rail, FS15-L1600-side beam pillar (100x100mm -Al) for 1600 series, included in the product price.
- FS Flexy Plain/3D or Stam 6002 is included in the price.
- Motor and Remote control is included in the price.
- Palmiye Aluminium Coating Catalogue includes the standard colours with no extra cost. For any other type/brand/color of paint, price difference and additional delivery duration shall be checked from your customer representative.
- Standard "Fabric support profile plastic colors" are specified in our Aluminium coating catalogue.

DEDUCTIONS

Price deduction is applicable only for pillars and beam. Deduction amount shall be consider as 70% of related option price.

OPTIONS

FS10-L1600 (ALM-16)	Extra pillar (100x160mm Al.) for L1600 series	€ 362	pcs
FS10	Extra pillar (100x100mm Al.)	€ 540	pcs
FS10-ST3	Extra pillar (100x100x3mm St.)	€ 671	pcs
FS10-ST5	Extra pillar (100x100x5mm St.)	€ 978	pcs
FS11	Deco ceiling cover	€ 75	m ²
FS13-A	Wavy ceiling cover (for flexy fabric) (up to 350 cm width)	€ 38	m ²
FS15	Side beam pillar (50x100mm - Al)	€ 280	pcs
FS15-L1600 (ALM-11)	Side beam pillar (100x100mm - Al) for L1600 series	€ 355	pcs
FS19	Fix louver	€ 74	lm
FS23	External Square Downpipe	€ 330	pcs
FS24	W96 Ceiling Cover	€ 86	m ²
FS26	Exclusive fabric difference (up to 800cm width)	€ 51	m ²
FS29-1	Sun Sensor (SUNIS) (for single motor)	€ 625	pcs
FS29-1S	Sun Sensor (SUNIS) (for synchronized motor)	€ 989	pcs
FS29-2	Wind Sensor (EOLIS RTS) (for single motor)	€ 292	pcs
FS29-2S	Wind Sensor (EOLIS RTS) (for synchronized motor)	€ 657	pcs
FS29-3	Sun and Wind Sensor (SOLIRIS RTS) (for single motor)	€ 331	pcs
FS29-3S	Sun and Wind Sensor (SOLIRIS RTS) (for synchronized motor)	€ 696	pcs
FS29-4	* Rain Sensor (ONDEIS) (for single motor)	€ 574	pcs
FS29-4S	* Rain Sensor (ONDEIS) (for synchronized motor)	€ 939	pcs

EXTENSIONS

L1600 Rail - 110x160mm	€ 270	lm
Beam Profile (Al. 100x150mm)	€ 155	lm
Beam Profile (St. 100x150x3mm)	€ 320	lm
Beam Profile (St. 100x150x5mm)	€ 388	lm
Beam Profile (St. 100x200x3mm)	€ 324	lm
Beam Profile (St. 100x200x5mm)	€ 461	lm
Fabric protection cover (Al. - 63x__cm)	€ 60	m ²
L1600 Gutter	€ 105	lm

*Max. Al. Front pillar (Al. 100x160mm) height is 280cm.

*Max. St 3mm. Front pillar (St. 100x100x3mm) height is 380cm.

*Max. St. 5mm Front pillar (St. 100x100x5mm) height is 480cm.

PRICE DIFFERENCE

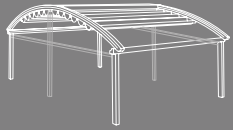
BEAM GROUP			
Standard	Al. 100x150mm		
to	St. 100x150x3mm	€ 160	lm
	St. 100x150x5mm	€ 238	lm
	St. 100x200x3mm	€ 165	lm
	St. 100x200x5mm	€ 311	lm

PILLAR GROUP			
Standard	Al. 100x160mm		
to	Al. 100x100mm	€ 178	pcs
	St. 100x100x3mm	€ 197	pcs
	St. 100x100x5mm	€ 512	pcs
	St. 150x150x3mm	€ 787	pcs
	St. 150x150x5mm	€ 1.288	pcs

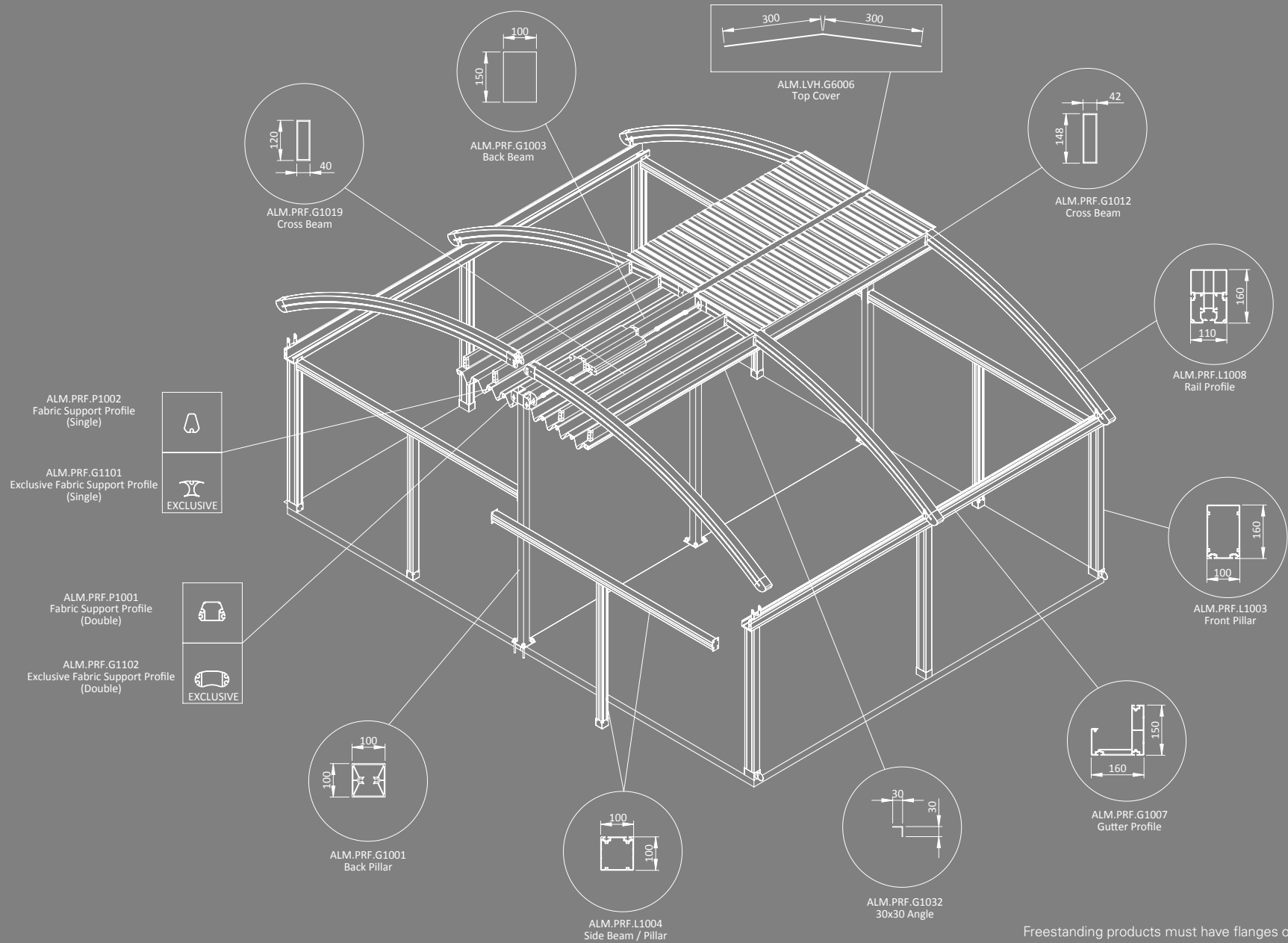
PILLAR GROUP			
Standard	Al. 100x100mm		
to	St. 100x100x3mm	€ 111	pcs
	St. 100x100x5mm	€ 456	pcs
	St. 150x150x3mm	€ 696	pcs
	St. 150x150x5mm	€ 1.231	pcs

Notes:

1. Fabric support profiles can be painted in the same color as the general construction. No fee is paid for this process. However, the plastic color should be specified from our standard plastic colours in Palmiye Colour Chart.
2. For one product, a dry contact transmitter costing 370€, must be added.
3. Up to 5 products, a RS485 Automation interface dry contact transmitter costing 1126€, must be added.



TWIN STANDING SYSTEM WITH FRONT PILLAR TWIN MOTOR



Freestanding products must have flanges on the pillars.

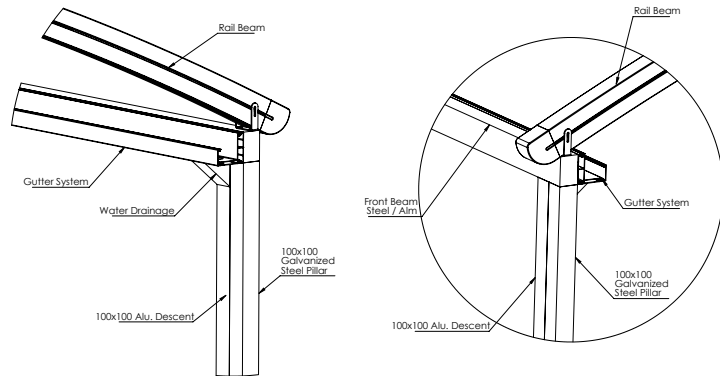
TECHNICAL DETAILS

WATER DRAIN&GUTTER CALCULATION

PRODUCT TYPE	MAX. M ²	USED PRODUCT TYPE
WATER DRAINAGE 45	34m ²	1200 Series Standard
WATER DRAINAGE 65	42m ²	Standard

*There should be at least one drainage, each 8 m length gutter.

APPLICATION FORM IN STEEL FRONT BEAM AND DEVICE

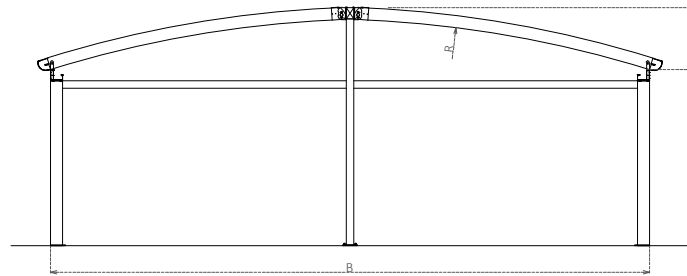


* In use of aluminum front pillar of 100*100 and front beam of 100*150 water drain, is applied from the available pillar. No external descent is applied.

TERMS OF USE OF FRONT PILLAR AND BEAM

PROJECTION	OUT TO OUT PILLAR SIZE					
		450	550	600	650	700
800	A	A	B	B	C	
900	A	A	B	B	C	
1000	A	A	B	C	C	
1100	A	B	B	C	C	
1200	A	B	C	C	C	
1300	A	B	C	C	C	
1400	A	B	C	C	C	
1500	A	B	C	C	C	
F. PILLAR F. BEAM	A	100*100 ALU 100*150 ALU	B	100*100*3 G.S 100*150*3 G.S	C	100*100*5 G.S 100*200*5 G.S

- * Use of front pillar and beam should be additionally priced.
- * Ground mounting of the pillar is performed with flange of 200x200x10 or 100x100 stainless ground anchor.
- * Application is made behind the gutter system
- * Maximum height is 4m for aluminum front pillars and 5m for steel front pillars.
- * If front pillar and beam is made of steel, water drain is given from empty aluminum box profile of 100*100



RADIUS CHART

RADIUS	R615	R850	R1500	R2850
Projection	A			
250	34			
300	41			
350	49			
400	58			
450	68	56		
500	81	65		
550	94	74		
600		85		
650		96		
700		109		
750		122	75	
800		137	83	
850		153	91	
900			100	
950			109	
1000			118	
1050			128	
1100			139	
1150			150	89
1200			161	94
1250			174	101
1300				107
1350				114
1400				120
1450				128
1500				135

*The values are approx. ± 5 cm

TERMS OF USE OF MIDDLE PILLAR AND BEAM

PROJECTION	OUT TO OUT PILLAR SIZE							
		500	550	600	700	750	800	900
800	B	B	B	C	D	D	D	D
900	B	B	B	C	D	D	D	D
1000	B	B	C	C	D	D	D	D
1100	B	C	C	C	D	D	D	D
1200	C	C	C	C	D	D	D	D
1300	C	C	C	D	D	D	D	D
1400	C	D	D	D	D	D	D	D
1500	C	D	D	D	D	D	D	D
F. PILLAR F. BEAM	B	100*100 ALU 100*150 ALU	C	100*100*3 G.S 100*150*3 G.S	D	100*100*5 G.S 100*200*5 G.S		

- * Use of middle pillar and beam should be additionally priced.
- * Floor mounting of the pillar is performed with flange of 200*200*10 mm or ground anchor.
- * Maximum height is 4m for aluminum middle pillars and 5m for steel middle pillars.

TERMS OF USE OF MIDDLE PILLAR AND BEAM FOR TWIN STANDING SYSTEM (STANDART)

PROJECTION	PRODUCT WIDTH																			
		450	500	550	600	650	700	750	800	850	900	950	1000	1050	1100	1150	1200	1250	1300	
800	A	A	A	A	A	A	A	A	A	A	A	A	A	A	A	A	A	A	A	
900	A	A	A	A	A	A	A	A	A	A	A	A	A	A	A	A	A	A	A	
1000	A	A	A	A	A	A	A	A	A	A	A	A	A	A	A	A	A	A	A	
1100	A	A	A	A	A	A	A	A	A	A	A	A	A	A	A	A	A	A	A	
1200	A	A	A	A	A	A	A	A	A	A	A	A	A	A	A	A	A	A	A	
1300	A	A	A	A	A	A	A	A	A	A	A	A	A	A	A	A	A	A	A	
1400	A	A	A	A	A	A	A	A	A	A	A	A	A	A	A	A	A	A	A	
1500	A	A	A	A	A	A	A	A	A	A	A	A	A	A	A	A	A	A	A	
	GROUND FLANGE BACK PILLAR BACK BEAM		A	200*200*10 FLANGE ALU 100*100 ALU 100*150 ALU																

* Price of middle pillar and beam is included in the list price for twin standing system.



TWIN STANDING SYSTEM WITH FRONT PILLAR TWIN MOTOR

WIDTH																								
PROJECTION	2 RAIL				3 RAIL								4 RAIL						5 RAIL					FS4-L1600 (R97)
	250 cm	300 cm	350 cm	400 cm	450 cm	500 cm	550 cm	600 cm	650 cm	700 cm	750 cm	800 cm	850 cm	900 cm	950 cm	1000 cm	1050 cm	1100 cm	1150 cm	1200 cm	1250 cm	1300 cm		
400 cm	€ 11.450	€ 11.993	€ 12.688	€ 13.460	€ 15.723	€ 16.281	€ 16.826	€ 17.569	€ 18.246	€ 18.715	€ 19.363	€ 20.105	€ 22.932	€ 23.470	€ 24.010	€ 24.546	€ 25.087	€ 25.620	€ 26.362	€ 26.796	€ 27.713	€ 28.247	€ 1.700	
450 cm	€ 11.847	€ 12.404	€ 13.114	€ 13.900	€ 16.304	€ 16.876	€ 17.433	€ 18.193	€ 18.884	€ 19.363	€ 20.026	€ 20.780	€ 23.758	€ 24.310	€ 24.862	€ 25.413	€ 25.965	€ 26.515	€ 27.271	€ 27.711	€ 28.642	€ 29.191	€ 1.824	
500 cm	€ 12.235	€ 12.808	€ 13.532	€ 14.333	€ 16.877	€ 17.464	€ 18.032	€ 18.804	€ 19.513	€ 20.001	€ 20.677	€ 21.445	€ 24.574	€ 25.139	€ 25.706	€ 26.270	€ 26.835	€ 27.396	€ 28.165	€ 28.619	€ 29.564	€ 30.127	€ 1.950	
550 cm	€ 12.906	€ 13.764	€ 14.560	€ 15.435	€ 18.161	€ 18.818	€ 19.664	€ 20.303	€ 21.288	€ 21.840	€ 22.585	€ 23.427	€ 26.665	€ 27.330	€ 27.997	€ 28.662	€ 29.505	€ 30.138	€ 30.976	€ 31.487	€ 32.500	€ 33.340	€ 2.076	
600 cm	€ 13.309	€ 14.179	€ 14.994	€ 15.880	€ 18.747	€ 19.419	€ 20.282	€ 20.934	€ 21.930	€ 22.494	€ 23.254	€ 24.110	€ 27.589	€ 28.236	€ 28.887	€ 29.535	€ 30.390	€ 31.038	€ 31.891	€ 32.411	€ 33.439	€ 34.291	€ 2.200	
650 cm	€ 13.700	€ 14.588	€ 15.414	€ 16.314	€ 19.319	€ 20.008	€ 20.884	€ 21.552	€ 22.562	€ 23.048	€ 23.815	€ 24.682	€ 28.402	€ 29.067	€ 29.736	€ 30.400	€ 31.162	€ 31.928	€ 32.795	€ 33.324	€ 34.366	€ 35.233	€ 2.326	
700 cm	€ 14.095	€ 14.994	€ 15.834	€ 16.752	€ 19.901	€ 20.602	€ 21.488	€ 22.174	€ 23.197	€ 23.688	€ 24.473	€ 25.354	€ 29.233	€ 29.909	€ 30.586	€ 31.262	€ 32.143	€ 32.818	€ 33.701	€ 34.237	€ 35.297	€ 36.173	€ 2.450	
750 cm	€ 14.488	€ 15.403	€ 16.257	€ 17.187	€ 20.480	€ 21.195	€ 22.096	€ 22.791	€ 23.833	€ 24.331	€ 25.127	€ 26.020	€ 30.057	€ 30.747	€ 31.439	€ 32.129	€ 33.022	€ 33.712	€ 34.606	€ 35.156	€ 36.225	€ 37.115	€ 2.576	
800 cm	€ 17.590	€ 18.441	€ 19.524	€ 20.723	€ 24.128	€ 24.991	€ 25.834	€ 26.992	€ 28.047	€ 28.769	€ 29.718	€ 30.870	€ 35.167	€ 35.998	€ 36.830	€ 37.663	€ 38.500	€ 39.327	€ 40.480	€ 41.148	€ 42.435	€ 43.262	€ 2.700	
850 cm	€ 17.912	€ 18.772	€ 19.865	€ 21.077	€ 24.592	€ 25.468	€ 26.322	€ 27.491	€ 28.556	€ 29.287	€ 30.247	€ 31.410	€ 35.824	€ 36.666	€ 37.511	€ 38.353	€ 39.200	€ 40.040	€ 41.203	€ 41.877	€ 43.175	€ 44.013	€ 2.825	
900 cm	€ 18.232	€ 19.104	€ 20.209	€ 21.431	€ 25.059	€ 25.943	€ 26.810	€ 27.990	€ 29.065	€ 29.805	€ 30.776	€ 31.950	€ 36.482	€ 37.336	€ 38.190	€ 39.045	€ 39.899	€ 40.751	€ 41.927	€ 42.606	€ 43.915	€ 44.763	€ 2.993	
950 cm	€ 18.547	€ 19.429	€ 20.546	€ 21.779	€ 25.518	€ 26.415	€ 27.289	€ 28.481	€ 29.569	€ 30.316	€ 31.298	€ 32.482	€ 37.132	€ 37.997	€ 38.862	€ 39.727	€ 40.592	€ 41.454	€ 42.640	€ 43.330	€ 44.647	€ 45.509	€ 3.074	
1000 cm	€ 18.861	€ 19.756	€ 20.884	€ 22.128	€ 25.977	€ 26.887	€ 27.770	€ 28.971	€ 30.073	€ 30.870	€ 31.818	€ 33.015	€ 37.783	€ 38.657	€ 39.534	€ 40.410	€ 41.286	€ 42.156	€ 43.353	€ 44.052	€ 45.382	€ 46.254	€ 3.198	
1050 cm	€ 19.395	€ 20.516	€ 21.699	€ 23.004	€ 26.994	€ 27.959	€ 29.060	€ 30.157	€ 31.476	€ 32.280	€ 33.328	€ 34.582	€ 39.436	€ 40.390	€ 41.346	€ 42.301	€ 43.394	€ 44.322	€ 45.573	€ 46.318	€ 47.701	€ 48.792	€ 3.324	
1100 cm	€ 19.932	€ 21.274	€ 22.516	€ 23.879	€ 28.011	€ 29.033	€ 30.350	€ 31.344	€ 32.881	€ 33.737	€ 34.838	€ 36.150	€ 41.089	€ 42.122	€ 43.159	€ 44.192	€ 45.503	€ 46.488	€ 47.794	€ 48.582	€ 50.021	€ 51.327	€ 3.448	
1150 cm	€ 20.255	€ 21.608	€ 22.864	€ 24.237	€ 28.479	€ 29.512	€ 30.844	€ 31.848	€ 33.394	€ 34.257	€ 35.370	€ 36.693	€ 41.824	€ 42.844	€ 43.864	€ 44.885	€ 46.207	€ 47.203	€ 48.520	€ 49.317	€ 50.766	€ 52.083	€ 3.573	
1200 cm	€ 20.577	€ 21.944	€ 23.213	€ 24.592	€ 28.948	€ 29.991	€ 31.337	€ 32.352	€ 33.905	€ 34.779	€ 35.903	€ 37.236	€ 42.558	€ 43.564	€ 44.572	€ 45.578	€ 46.912	€ 47.918	€ 49.247	€ 50.051	€ 51.512	€ 52.839	€ 3.696	
1250 cm	€ 20.893	€ 22.273	€ 23.549	€ 24.941	€ 29.405	€ 30.463	€ 31.819	€ 32.845	€ 34.409	€ 35.222	€ 36.352	€ 37.694	€ 43.205	€ 44.225	€ 45.248	€ 46.266	€ 47.526	€ 48.625	€ 49.964	€ 50.777	€ 52.248	€ 53.586	€ 3.822	
1300 cm	€ 21.208	€ 22.600	€ 23.886	€ 25.289	€ 29.861	€ 30.935	€ 32.302	€ 33.338	€ 34.913	€ 35.665	€ 36.800	€ 38.149	€ 43.852	€ 44.887	€ 45.921	€ 46.954	€ 48.141	€ 49.333	€ 50.682	€ 51.504	€ 52.986	€ 54.335	€ 3.946	
1350 cm	€ 21.524	€ 22.927	€ 24.224	€ 25.641	€ 30.327	€ 31.408	€ 32.783	€ 33.833	€ 35.420	€ 36.175	€ 37.325	€ 38.685	€ 44.513	€ 45.555	€ 46.599	€ 47.641	€ 48.920	€ 50.041	€ 51.404	€ 52.230	€ 53.726	€ 55.082	€ 4.071	
1400 cm	€ 21.842	€ 23.252	€ 24.562	€ 25.993	€ 30.792	€ 31.882	€ 33.265	€ 34.330	€ 35.928	€ 36.686	€ 37.849	€ 39.222	€ 45.174	€ 46.223	€ 47.276	€ 48.325	€ 49.698	€ 50.747	€ 52.124	€ 52.955	€ 54.464	€ 55.831	€ 4.197	
1450 cm	€ 22.247	€ 24.670	€ 25.990	€ 27.431	€ 32.343	€ 33.444	€ 34.838	€ 35.912	€ 37.522	€ 38.289	€ 39.460	€ 40.843	€ 46.919	€ 47.979	€ 49.042	€ 50.102	€ 51.485	€ 52.547	€ 53.932	€ 54.773	€ 56.291	€ 57.621	€ 4.321	
1500 cm	€ 23.565	€ 24.998	€ 26.330	€ 27.779	€ 32.806	€ 33.918	€ 35.324	€ 36.404	€ 38.030	€ 38.802	€ 39.981	€ 41.375	€ 47.573	€ 48.645	€ 49.719	€ 50.792	€ 52.184	€ 53.256	€ 54.650	€ 55.502	€ 57.027	€ 58.367	€ 4.447	
FS5-A	€ 44	€ 56	€ 65	€ 75	€ 87	€ 96	€ 108	€ 117	€ 129	€ 139	€ 150	€ 160	€ 171	€ 181	€ 192	€ 202	€ 214	€ 223	€ 235	€ 244	€ 256	€ 266		
FS5-E	€ 61	€ 77	€ 90	€ 103	€ 119	€ 132	€ 148	€ 162	€ 178	€ 191	€ 207	€ 220	€ 236	€ 249	€ 265	€ 278	€ 294	€ 307	€ 323	€ 336	€ 352	€ 366		

FS5-A	Additional Fabric Support Profile (Standard)
FS4-L1600 (R97)	Additional Rail - Al. 110x160mm
FS8	Lighting System

LED TYPE & MODULE				
FS8		2 LED	3 LED	4 LED
FS8-S	SPOT	€ 136	€ 165	€ 194
FS8-L	LINEAR	€ 194	€ 252	
FS8-LR	LINEAR (RGB)	€ 247	€ 320	

Notes:

- FS9-L1600 (Y64) Side Beam is included in the price for right and left side as a standard. For other option which is FS9 (Al. 50x150mm) doesn't apply any charge. But, please define on your technical drawing.
- If the projection is bigger than 700cm, a side beam pillar needs to be added up to rail, FS15-L1600-side beam pillar (100x100mm -Al) for 1600 series, included in the product price.
- FS Flexy Plain/3D or Stam 6002 is included in the price.
- Motor and Remote control is included in the price.
- Palmye Aluminium Coating Catalogue includes the standard colours with no extra cost. For any other type/brand/color of paint, price difference and additional delivery duration shall be checked from your customer representative.
- Standard "Fabric support profile plastic colors" are specified in our Aluminium coating catalogue.

DEDUCTIONS

Price deduction is applicable only for pillars and beam. Deduction amount shall be consider as 70% of related option price.

OPTIONS			
FS10-L1600 (ALM-16)	Extra pillar (100x160mm Al.) for L1600 series	€ 362	pcs
FS10	Extra pillar (100x100mm Al.)	€ 540	pcs
FS10-ST3	Extra pillar (100x100x3mm St.)	€ 671	pcs
FS10-ST5	Extra pillar (100x100x5mm St.)	€ 978	pcs
FS11	Deco ceiling cover	€ 75	m ²
FS13-A	Wavy ceiling cover (for flexy fabric) (up to 350 cm width)	€ 38	m ²
FS15	Side beam pillar (50x100mm- Al)	€ 280	pcs
FS15-L1600 (ALM-11)	Side beam pillar (100x100mm- Al) for L1600 series	€ 355	pcs
FS19	Fix louver	€ 74	lm
FS23	External Square Downpipe	€ 330	pcs
FS24	W96 Ceiling Cover	€ 86	m ²
FS26	Exclusive fabric difference (up to 800cm width)	€ 51	m ²
FS29-1	Sun Sensor (SUNIS) (for single motor)	€ 625	pcs
FS29-1S	Sun Sensor (SUNIS) (for synchronized motor)	€ 989	pcs
FS29-2	Wind Sensor (EOLIS RTS) (for single motor)	€ 292	pcs
FS29-2S	Wind Sensor (EOLIS RTS) (for synchronized motor)	€ 657	pcs
FS29-3	Sun and Wind Sensor (SOLIRIS RTS) (for single motor)	€ 331	pcs
FS29-3S	Sun and Wind Sensor (SOLIRIS RTS) (for synchronized motor)	€ 696	pcs
FS29-4	* Rain Sensor (ONDEIS) (for single motor)	€ 574	pcs
FS29-4S	* Rain Sensor (ONDEIS) (for synchronized motor)	€ 939	pcs
FS30	CONNEXOON	€ 525	pcs

EXTENSIONS		
L1600 Rail - 110x160mm	€ 270	lm
Beam Profile (Al. 42x150mm)	€ 105	lm
Beam Profile (Al. 50x150mm)	€ 185	lm
Beam Profile (Al. 100x150mm)	€ 155	lm
Beam Profile (St. 100x150x3mm)	€ 320	lm
Beam Profile (St. 100x150x5mm)	€ 388	lm
Beam Profile (St. 100x200x3mm)	€ 324	lm
Beam Profile (St. 100x200x5mm)	€ 461	lm
Fabric protection cover (Al. - 63x__cm)	€ 60	m ²
L1600 Gutter	€ 105	lm

*Max. Al. Front pillar (Al. 100x160mm) height is 280cm.
 *Max. St 3mm. Front pillar (St. 100x100x3mm) height is 380cm.
 *Max. St. 5mm Front pillar (St. 100x100x5mm) height is 480cm.

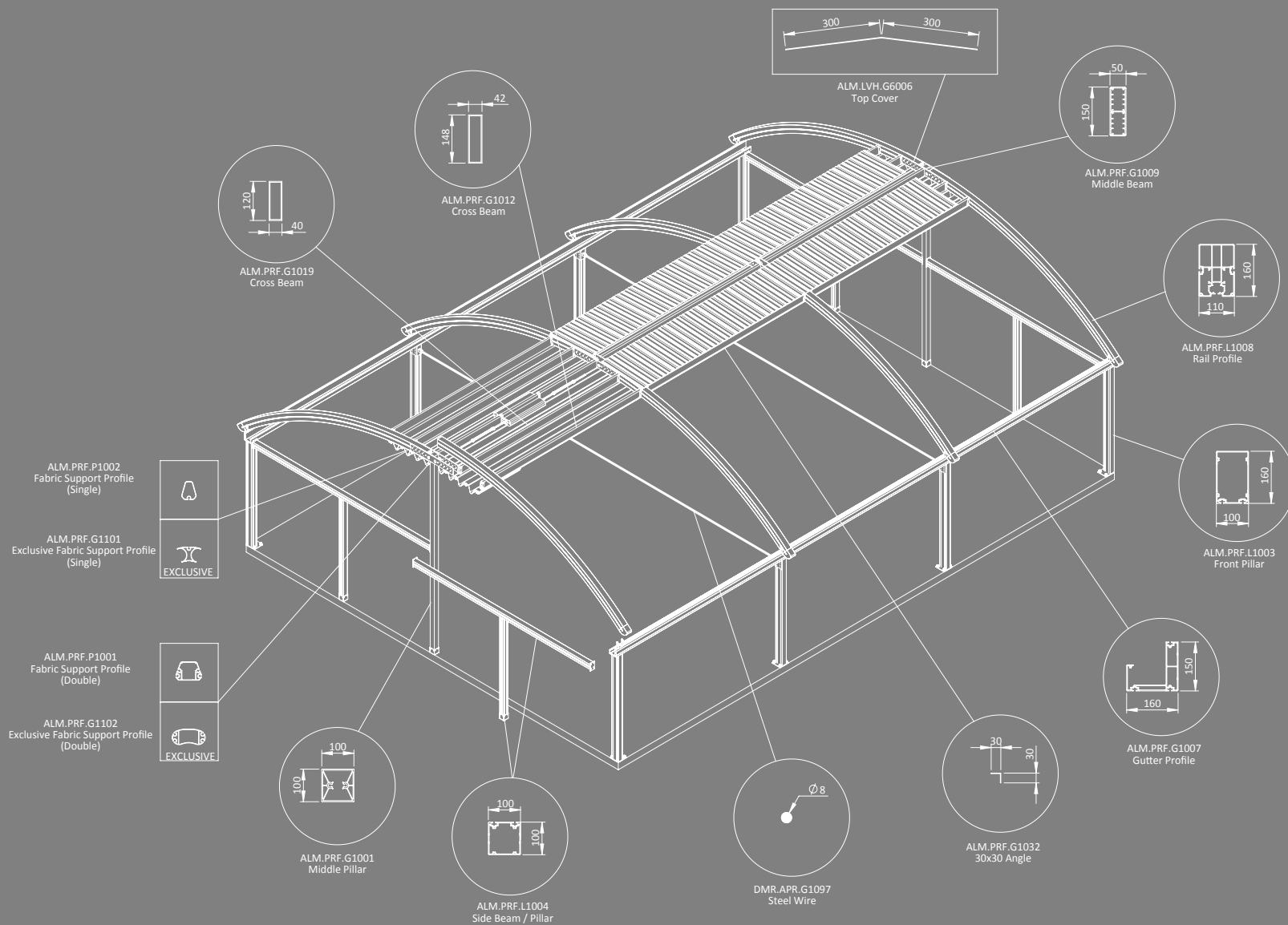
PRICE DIFFERENCE			
BEAM GROUP			
Back Beam	Standard	Al. 100x150mm	
		St. 100x150x3mm	€ 160 lm
	to	St. 100x150x5mm	€ 238 lm
		St. 100x200x3mm	€ 165 lm
		St. 100x200x5mm	€ 311 lm
PILLAR GROUP			
Front Pillar	Standard	Al. 100x160mm	
		Al. 100x100mm	€ 178 pcs
	to	St. 100x100x3mm	€ 197 pcs
		St. 100x100x5mm	€ 512 pcs
		St. 150x150x3mm	€ 787 pcs
	St. 150x150x5mm	€ 1.288 pcs	
Back Pillar	Standard	Al. 100x100mm	
		St. 100x100x3mm	€ 111 pcs
	to	St. 100x100x5mm	€ 456 pcs
		St. 150x150x3mm	€ 696 pcs
		St. 150x150x5mm	€ 1.231 pcs

Notes:

1. Fabric support profiles can be painted in the same color as the general construction. No fee is paid for this process. However, the plastic color should be specified from our standard plastic colours in Palmiye Colour Chart.
2. For one product, a dry contact transmitter costing 370€, must be added.
3. Up to 5 products, a RS485 Automation interface dry contact transmitter costing 1126€, must be added.



T. STANDING SYSTEM WITH FRONT PILLAR D.M. (WITHOUT M. PILLAR)



Freestanding products must have flanges on the pillars.

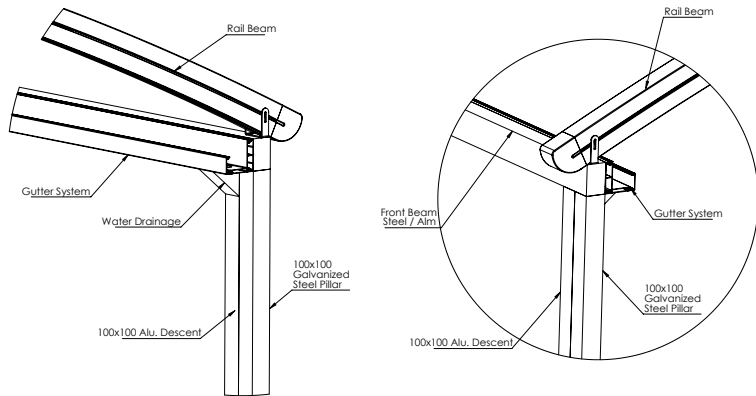
TECHNICAL DETAILS

WATER DRAIN&GUTTER CALCULATION

PRODUCT TYPE	MAX. M ²	USED PRODUCT TYPE
WATER DRAINAGE 45	34m ²	1200 Series Standard
WATER DRAINAGE 65	42m ²	Standard

*There should be at least one drainage, each 8 m length gutter.

APPLICATION FORM IN STEEL FRONT BEAM AND DEVICE



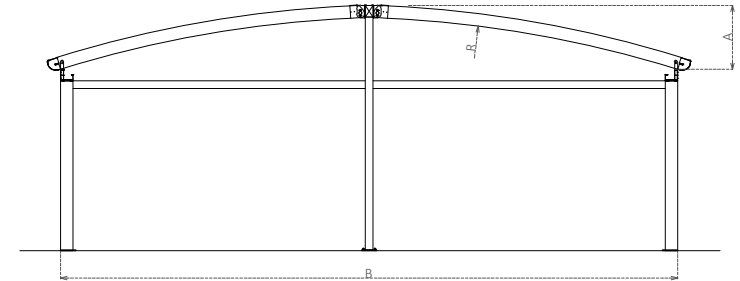
* In use of aluminum front pillar of 100*100 and front beam of 100*150 water drain, is applied from the available pillar. No external descent is applied.

RADIUS CHART

RADIUS	650	850	1500
--------	-----	-----	------

Projection	A			B
	250	27		
300	32			
350	39			
400	47			
450	55	46		
500	65	54		
550	76	62		
600		71		
650		82		
700		93		
750		105	63	
800		118	69	
850		133	76	
900			84	
950			92	
1000			101	

*The values are approx. ± 5 cm



TERMS OF USE OF TWIN FRONT PILLAR AND BEAM

PROJECTION	PRODUCT WIDTH																	
	450	500	550	600	650	700	750	800	850	900	950	1000	1050	1100	1150	1200	1250	1300
400	A	A	A	A	A	A	A	A	A	A	A	A	A	A	A	A	A	A
450	A	A	A	A	A	A	A	A	A	A	A	A	A	A	A	A	A	A
500	A	A	A	A	A	A	A	A	A	A	A	A	A	A	A	A	A	A
550	A	A	A	A	A	A	A	A	A	A	A	A	A	A	A	A	A	A
600	A	A	A	A	A	A	A	A	A	A	A	A	A	A	A	A	A	A
650	A	A	A	A	A	A	A	A	A	A	A	A	A	A	A	A	A	A
700	A	A	A	A	A	A	A	A	A	A	A	A	A	A	A	A	A	A
750	B	B	B	B	B	B	B	B	B	B	B	B	B	B	B	B	B	B
800	B	B	B	B	B	B	B	B	B	B	B	B	B	B	B	B	B	B
850	B	B	B	B	B	B	B	B	B	B	B	B	B	B	B	B	B	B
900	B	B	B	B	B	B	B	B	B	B	B	B	B	B	B	B	B	B
950	B	B	B	B	B	B	B	B	B	B	B	B	B	B	B	B	B	B
1000	B	B	B	B	B	B	B	B	B	B	B	B	B	B	B	B	B	B
GROUND FLANGE / ANCHOR PILLAR BEAM	A			STANDART 100*160 100*160 ALUMINUM 1600 GUTTER					B						200*200*10 FLANGE GAL 100*100*3MM GAL 100*150*3MM GAL			

* Twin front pillar and beam in the twin standing system is included in the price list.

* In non-standard applications, reducing pillar and using the beam by getting the support of the project managers should be evaluated according to the field conditions.

* Floor mounting of the pillar is performed with flange of 200*200*10 mm or ground anchor.

* Application is made behind the gutter system

* In the B-class applications, having the front struts made of steel, the external water outlet 100x100mm empty aluminum box is given from the profile.



T. STANDING SYSTEM WITH FRONT PILLAR D.M. (WITHOUT M. PILLAR)

		WIDTH																				FS4-L1600 (R97)		
		2 RAIL				3 RAIL								4 RAIL						5 RAIL				
		250 cm	300 cm	350 cm	400 cm	450 cm	500 cm	550 cm	600 cm	650 cm	700 cm	750 cm	800 cm	850 cm	900 cm	950 cm	1000 cm	1050 cm	1100 cm	1150 cm	1200 cm		1250 cm	1300 cm
PROJECTION	400 cm	€ 11.861	€ 12.426	€ 13.146	€ 13.945	€ 16.289	€ 16.867	€ 17.431	€ 18.202	€ 18.904	€ 19.388	€ 20.060	€ 20.829	€ 23.758	€ 24.315	€ 24.873	€ 25.431	€ 25.990	€ 26.542	€ 27.311	€ 27.759	€ 28.710	€ 29.264	€ 1.652
	450 cm	€ 12.272	€ 12.851	€ 13.586	€ 14.400	€ 16.890	€ 17.483	€ 18.062	€ 18.847	€ 19.563	€ 20.060	€ 20.747	€ 21.529	€ 24.614	€ 25.184	€ 25.758	€ 26.328	€ 26.900	€ 27.470	€ 28.252	€ 28.708	€ 29.673	€ 30.241	€ 1.773
	500 cm	€ 12.676	€ 13.269	€ 14.020	€ 14.847	€ 17.485	€ 18.091	€ 18.682	€ 19.481	€ 20.216	€ 20.720	€ 21.422	€ 22.217	€ 25.459	€ 26.043	€ 26.630	€ 27.216	€ 27.800	€ 28.383	€ 29.180	€ 29.648	€ 30.627	€ 31.210	€ 1.895
	550 cm	€ 13.371	€ 14.259	€ 15.083	€ 15.991	€ 18.815	€ 19.496	€ 20.371	€ 21.034	€ 22.055	€ 22.627	€ 23.399	€ 24.271	€ 27.625	€ 28.313	€ 29.005	€ 29.695	€ 30.567	€ 31.223	€ 32.091	€ 32.620	€ 33.671	€ 34.539	€ 2.017
	600 cm	€ 13.788	€ 14.690	€ 15.534	€ 16.452	€ 19.420	€ 20.117	€ 21.011	€ 21.688	€ 22.719	€ 23.304	€ 24.090	€ 24.977	€ 28.583	€ 29.253	€ 29.927	€ 30.599	€ 31.485	€ 32.155	€ 33.038	€ 33.578	€ 34.643	€ 35.526	€ 2.138
	650 cm	€ 14.193	€ 15.114	€ 15.968	€ 16.902	€ 20.014	€ 20.729	€ 21.636	€ 22.328	€ 23.374	€ 23.878	€ 24.673	€ 25.570	€ 29.425	€ 30.115	€ 30.806	€ 31.494	€ 32.284	€ 33.078	€ 33.975	€ 34.525	€ 35.603	€ 36.500	€ 2.260
	700 cm	€ 14.602	€ 15.534	€ 16.404	€ 17.355	€ 20.616	€ 21.343	€ 22.262	€ 22.971	€ 24.033	€ 24.541	€ 25.354	€ 26.265	€ 30.286	€ 30.987	€ 31.687	€ 32.388	€ 33.299	€ 34.000	€ 34.915	€ 35.470	€ 36.568	€ 37.476	€ 2.381
	750 cm	€ 15.010	€ 15.957	€ 16.842	€ 17.805	€ 21.217	€ 21.958	€ 22.891	€ 23.611	€ 24.691	€ 25.207	€ 26.031	€ 26.958	€ 31.140	€ 31.853	€ 32.570	€ 33.285	€ 34.211	€ 34.925	€ 35.851	€ 36.421	€ 37.529	€ 38.451	€ 2.503
	800 cm	€ 18.225	€ 19.104	€ 20.226	€ 21.468	€ 24.996	€ 25.890	€ 26.765	€ 27.965	€ 29.057	€ 29.804	€ 30.786	€ 31.982	€ 36.432	€ 37.293	€ 38.156	€ 39.020	€ 39.886	€ 40.742	€ 41.938	€ 42.630	€ 43.963	€ 44.821	€ 2.624
	850 cm	€ 18.556	€ 19.449	€ 20.582	€ 21.835	€ 25.479	€ 26.385	€ 27.271	€ 28.481	€ 29.584	€ 30.341	€ 31.335	€ 32.541	€ 37.113	€ 37.987	€ 38.862	€ 39.734	€ 40.610	€ 41.480	€ 42.687	€ 43.386	€ 44.729	€ 45.598	€ 2.746
900 cm	€ 18.888	€ 19.792	€ 20.936	€ 22.203	€ 25.959	€ 26.878	€ 27.775	€ 28.998	€ 30.111	€ 30.878	€ 31.884	€ 33.101	€ 37.795	€ 38.680	€ 39.567	€ 40.451	€ 41.334	€ 42.219	€ 43.437	€ 44.140	€ 45.494	€ 46.375	€ 2.909	
950 cm	€ 19.213	€ 20.130	€ 21.286	€ 22.564	€ 26.437	€ 27.366	€ 28.272	€ 29.505	€ 30.635	€ 31.407	€ 32.423	€ 33.653	€ 38.469	€ 39.365	€ 40.262	€ 41.157	€ 42.054	€ 42.946	€ 44.175	€ 44.889	€ 46.256	€ 47.147	€ 2.987	
1000 cm	€ 19.540	€ 20.468	€ 21.635	€ 22.925	€ 26.914	€ 27.854	€ 28.769	€ 30.014	€ 31.156	€ 31.936	€ 32.963	€ 34.203	€ 39.143	€ 40.049	€ 40.959	€ 41.865	€ 42.773	€ 43.673	€ 44.914	€ 45.639	€ 47.015	€ 47.919	€ 3.108	
FS5-A	€ 44	€ 56	€ 65	€ 75	€ 87	€ 96	€ 108	€ 117	€ 129	€ 139	€ 150	€ 160	€ 171	€ 181	€ 192	€ 202	€ 214	€ 223	€ 235	€ 244	€ 256	€ 266		
FS5-E	€ 61	€ 77	€ 90	€ 103	€ 119	€ 132	€ 148	€ 162	€ 178	€ 191	€ 207	€ 220	€ 236	€ 249	€ 265	€ 278	€ 294	€ 307	€ 323	€ 336	€ 352	€ 366		

FS5-A	Additional Fabric Support Profile (Standard)
FS4-L1600 (R97)	Additional Rail - Al. 110x160mm
FS8	Lighting System

FS8	
FS8-S	SPOT
FS8-L	LINEAR
FS8-LR	LINEAR (RGB)

LED TYPE & MODULE		
2 LED	3 LED	4 LED
€ 136	€ 165	€ 194
€ 194	€ 252	
€ 247	€ 320	

Notes:

- FS9-L1600 (Y64) Side Beam is included in the price for right and left side as a standard. For other option which is FS9 (Al. 50x150mm) doesn't apply any charge. But, please define on your technical drawing.
- If the projection is bigger than 700cm, a side beam pillar needs to be added up to rail, FS15-L1600-side beam pillar (100x100mm -Al) for 1600 series, included in the product price.
- FS Flexy Plain/3D or Stam 6002 is included in the price.
- Motor and Remote control is included in the price.
- Palmye Aluminium Coating Catalogue includes the standard colours with no extra cost. For any other type/brand/color of paint, price difference and additional delivery duration shall be checked from your customer representative.
- Standard "Fabric support profile plastic colors" are specified in our Aluminium coating catalogue.

DEDUCTIONS

Price deduction is applicable only for pillars and beam. Deduction amount shall be consider as 70% of related option price.

OPTIONS			
FS10-L1600 (ALM-16)	Extra pillar (100x160mm Al.) for L1600 series	€ 362	pcs
FS10	Extra pillar (100x100mm Al.)	€ 540	pcs
FS10-ST3	Extra pillar (100x100x3mm St.)	€ 671	pcs
FS10-ST5	Extra pillar (100x100x5mm St.)	€ 978	pcs
FS11	Deco ceiling cover	€ 75	m ²
FS13-A	Wavy ceiling cover (for flexy fabric) (up to 350 cm width)	€ 38	m ²
FS15	Side beam pillar (50x100mm- Al)	€ 280	pcs
FS15-L1600 (ALM-11)	Side beam pillar (100x100mm- Al) for L1600 series	€ 355	pcs
FS19	Fix louver	€ 74	lm
FS23	External Square Downpipe	€ 330	pcs
FS24	W96 Ceiling Cover	€ 86	m ²
FS26	Exclusive fabric difference (up to 800cm width)	€ 51	m ²
FS29-1	Sun Sensor (SUNIS) (for single motor)	€ 625	pcs
FS29-1S	Sun Sensor (SUNIS) (for synchronized motor)	€ 989	pcs
FS29-2	Wind Sensor (EOLIS RTS) (for single motor)	€ 292	pcs
FS29-2S	Wind Sensor (EOLIS RTS) (for synchronized motor)	€ 657	pcs
FS29-3	Sun and Wind Sensor (SOLIRIS RTS) (for single motor)	€ 331	pcs
FS29-3S	Sun and Wind Sensor (SOLIRIS RTS) (for synchronized motor)	€ 696	pcs
FS29-4	* Rain Sensor (ONDEIS) (for single motor)	€ 574	pcs
FS29-4S	* Rain Sensor (ONDEIS) (for synchronized motor)	€ 939	pcs
FS30	CONNEXOON	€ 525	pcs

EXTENSIONS		
L1600 Rail - 110x160mm	€ 270	lm
Beam Profile (Al. 42x150mm)	€ 105	lm
Beam Profile (Al. 50x150mm)	€ 185	lm
Beam Profile (Al. 100x150mm)	€ 155	lm
Beam Profile (St. 100x150x3mm)	€ 320	lm
Beam Profile (St. 100x150x5mm)	€ 388	lm
Beam Profile (St. 100x200x3mm)	€ 324	lm
Beam Profile (St. 100x200x5mm)	€ 461	lm
Fabric protection cover (Al. - 63x...cm)	€ 60	m ²
L1600 Gutter	€ 105	lm

*Max. Al. Front pillar (Al. 100x160mm) height is 280cm.

*Max. St 3mm. Front pillar (St. 100x100x3mm) height is 380cm.

*Max. St. 5mm Front pillar (St. 100x100x5mm) height is 480cm.

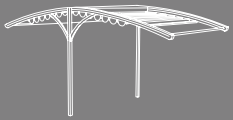
PRICE DIFFERENCE				
PILLAR GROUP				
Front Pillar	Standard	Al. 100x160mm		
	to	Al. 100x100mm	€ 178	pcs
		St. 100x100x3mm	€ 197	pcs
		St. 100x100x5mm	€ 512	pcs
		St. 150x150x3mm	€ 787	pcs
	St. 150x150x5mm	€ 1.288	pcs	
Back Pillar	Standard	Al. 100x100mm		
	to	St. 100x100x3mm	€ 111	pcs
		St. 100x100x5mm	€ 456	pcs
		St. 150x150x3mm	€ 696	pcs
		St. 150x150x5mm	€ 1.231	pcs

Notes:

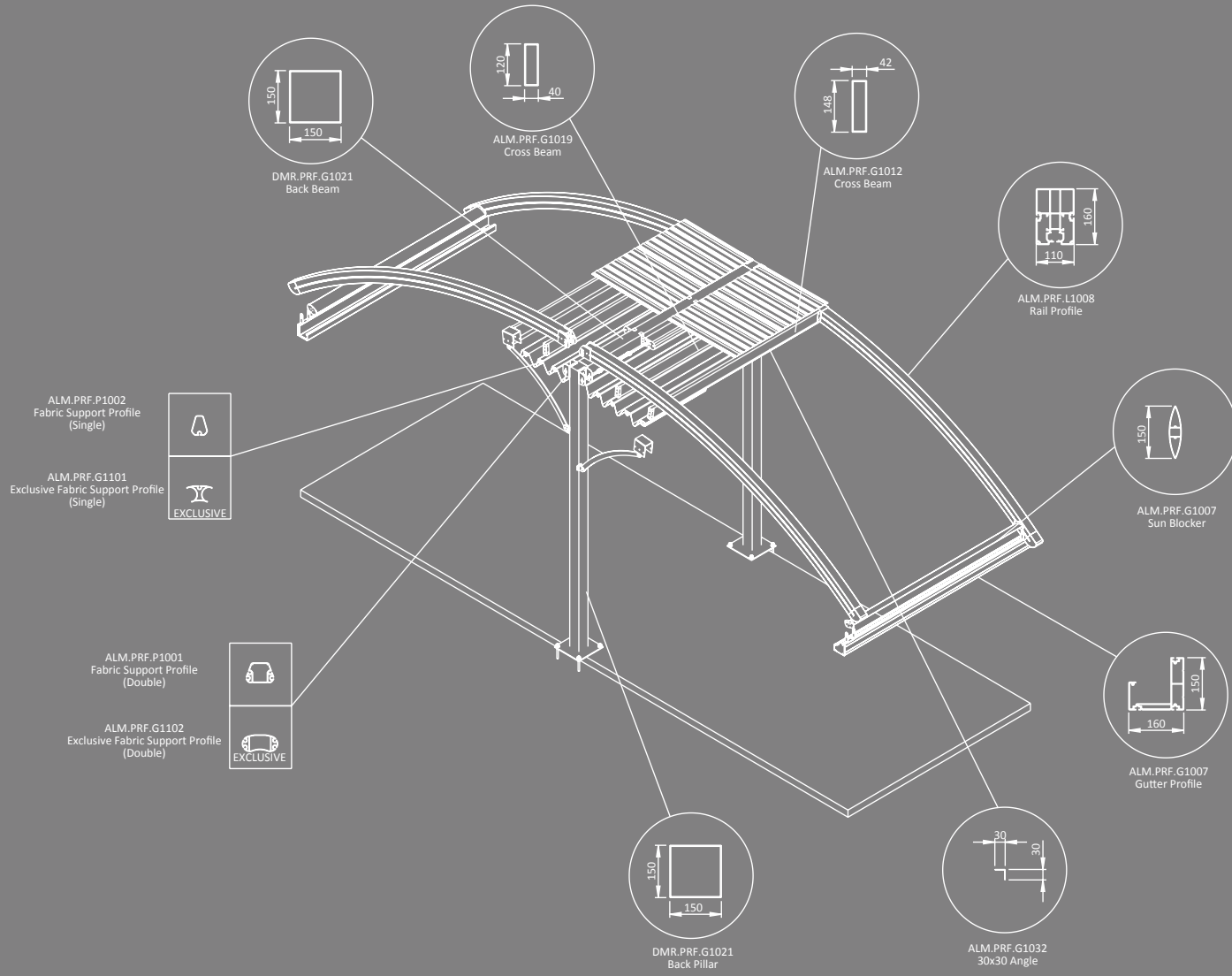
1. Fabric support profiles can be painted in the same color as the general construction. No fee is paid for this process. However, the plastic color should be specified from our standard plastic colours in Palmiye Colour Chart.

2. For one product, a dry contact transmitter costing 370€, must be added.

3. Up to 5 products, a RS485 Automation interface dry contact transmitter costing 1126€, must be added.



TWIN BRACKET SYSTEM TECHNICAL DETAILS



TECHNICAL DETAILS

WATER DRAIN&GUTTER CALCULATION

PRODUCT TYPE	MAX. M ²	USED PRODUCT TYPE
WATER DRAINAGE 45	34m ²	1200 Series Standard
WATER DRAINAGE 65	42m ²	Standard

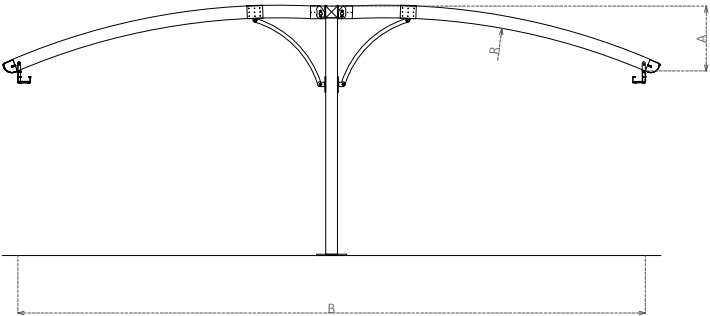
*There should be at least one drainage, each 8 m length gutter.

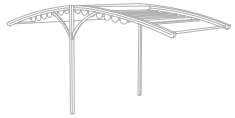
RADIUS CHART

RADIUS	650	850	1500
--------	-----	-----	------

Projection	A			B
300	41			
400	58			
500	81	65		
600		85		
700		109		
800		137	83	

*The values are approx. ± 5 cm





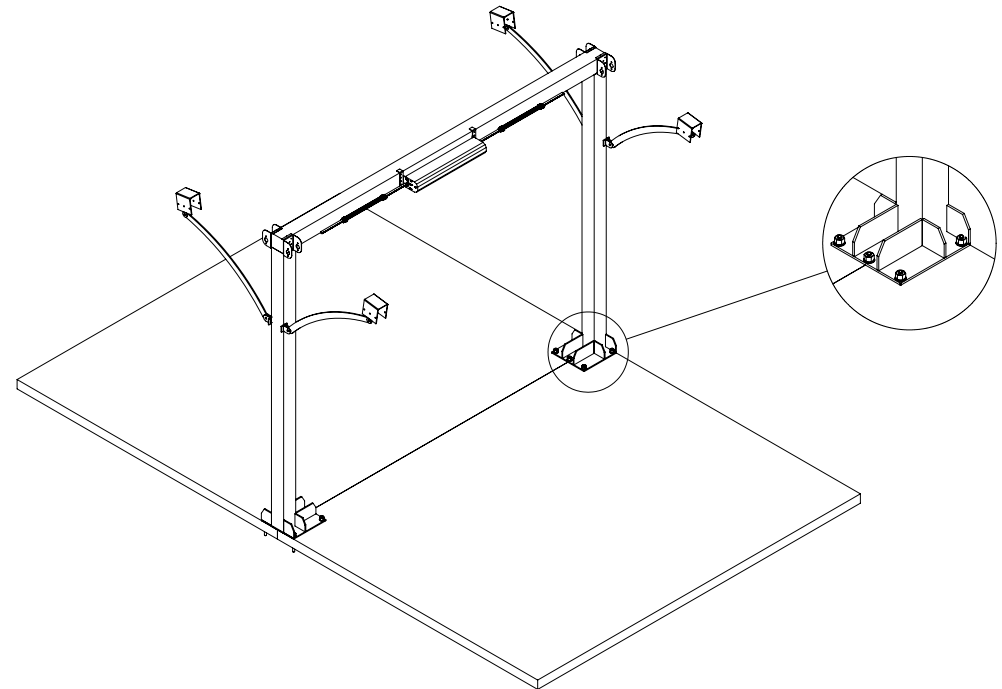
TWIN BRACKET SYSTEM

PROJECTION	WIDTH			
	2 RAIL			
	250 cm	300 cm	350 cm	400 cm
400 cm	€ 11.634	€ 12.179	€ 12.874	€ 13.645
450 cm	€ 12.020	€ 12.579	€ 13.291	€ 14.075
500 cm	€ 12.401	€ 12.974	€ 13.698	€ 14.499
550 cm	€ 13.064	€ 13.922	€ 14.719	€ 15.592
600 cm	€ 13.457	€ 14.329	€ 15.144	€ 16.029
650 cm	€ 13.839	€ 14.729	€ 15.553	€ 16.454
700 cm	€ 14.225	€ 15.126	€ 15.964	€ 16.883
750 cm	€ 14.610	€ 15.526	€ 16.379	€ 17.308
800 cm	€ 17.703	€ 18.554	€ 19.637	€ 20.836

G22	€ 251	€ 259	€ 282	€ 312
FS5-A	€ 44	€ 56	€ 65	€ 75
FS5-E	€ 61	€ 77	€ 90	€ 103

G22	L1600 Gutter system (One side)
FS5-A	Additional Fabric Support Profile (Standard)
FS8	Lighting System

FS8		LED TYPE & MODULE		
FS8-S	SPOT	2 LED	3 LED	4 LED
FS8-L	LINEAR	€ 136	€ 165	€ 194
FS8-LR	LINEAR (RGB)	€ 194	€ 252	
		€ 247	€ 320	



- * Distance between two pillars depends on the system width.
- * For the systems with 2 units next to each other, one of the pillars in the middle will be removed.
- * Strut support apparatus is used under each rail.
- * Pillar and beam are used as 150*150*3mm in standard.

Notes:

1. Modules can not be combined.
2. Side beam is not applicable
3. FS Flexy Plain/3D or Stam 6002 is included in the price.
4. Motor and Remote control is included in the price.
5. Palmiye Aluminium Coating Catalogue includes the standard colours with no extra cost. For any other type/brand/color of paint, price difference and additional delivery duration shall be checked from your customer representative.
6. Standard "Fabric support profile plastic colors" are specified in our Aluminium coating catalogue.

DEDUCTIONS

Price deduction is applicable only for back pillars and back beam. Deduction amount shall be consider as 70% of related option price.

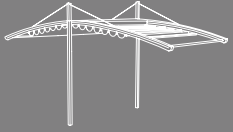
OPTIONS			
FS10-L1600 (ALM-16)	Extra pillar (100x160mm Al.) for L1600 series	€ 362	pcs
FS10	Extra pillar (100x100mm Al.)	€ 540	pcs
FS10-ST3	Extra pillar (100x100x3mm St.)	€ 671	pcs
FS10-ST5	Extra pillar (100x100x5mm St.)	€ 978	pcs
FS11	Deco ceiling cover	€ 75	m ²
FS13-A	Wavy ceiling cover (for flexy fabric) (up to 350 cm width)	€ 38	m ²
FS15	Side beam pillar (50x100mm- Al)	€ 280	pcs
FS15-L1600 (ALM-11)	Side beam pillar (100x100mm- Al) for L1600 series	€ 355	pcs
FS19	Fix louver	€ 74	lm
FS23	External Square Downpipe	€ 330	pcs
FS24	W96 Ceiling Cover	€ 86	m ²
FS26	Exclusive fabric difference (up to 800cm width)	€ 51	m ²
FS28-1	Stainless steel chain- 100 cm	€ 78	1m
FS28-2	Stainless steel chain- 200 cm	€ 153	2m
FS28-3	Stainless steel chain- 300 cm	€ 230	3m
FS28-4	Stainless steel chain- 400 cm	€ 306	4m
FS29-1	Sun Sensor (SUNIS) (for single motor)	€ 625	pcs
FS29-2	Wind Sensor (EOLIS RTS) (for single motor)	€ 292	pcs
FS29-3	Sun and Wind Sensor (SOLIRIS RTS) (for single motor)	€ 331	pcs
FS29-4	* Rain Sensor (ONDEIS) (for single motor)	€ 574	pcs
FS30	CONNEXOON	€ 525	pcs
FS10-150ST5-H	Extra half pillar (150x150x5mm St.)	€ 210	pcs
FS10-150ST3	Extra pillar (150x150x3mm St.)	€ 1.252	pcs
FS10-150ST5	Extra pillar (150x150x5mm St.)	€ 1.751	pcs

EXTENSIONS		
L1600 Rail - 110x160mm	€ 270	lm
Beam Profile (St. 150x150x3mm)	€ 439	lm
Beam Profile (St. 150x150x5mm)	€ 616	lm
Fabric protection cover (Al. - 63x__cm)	€ 60	m ²
L1600 Gutter	€ 105	lm

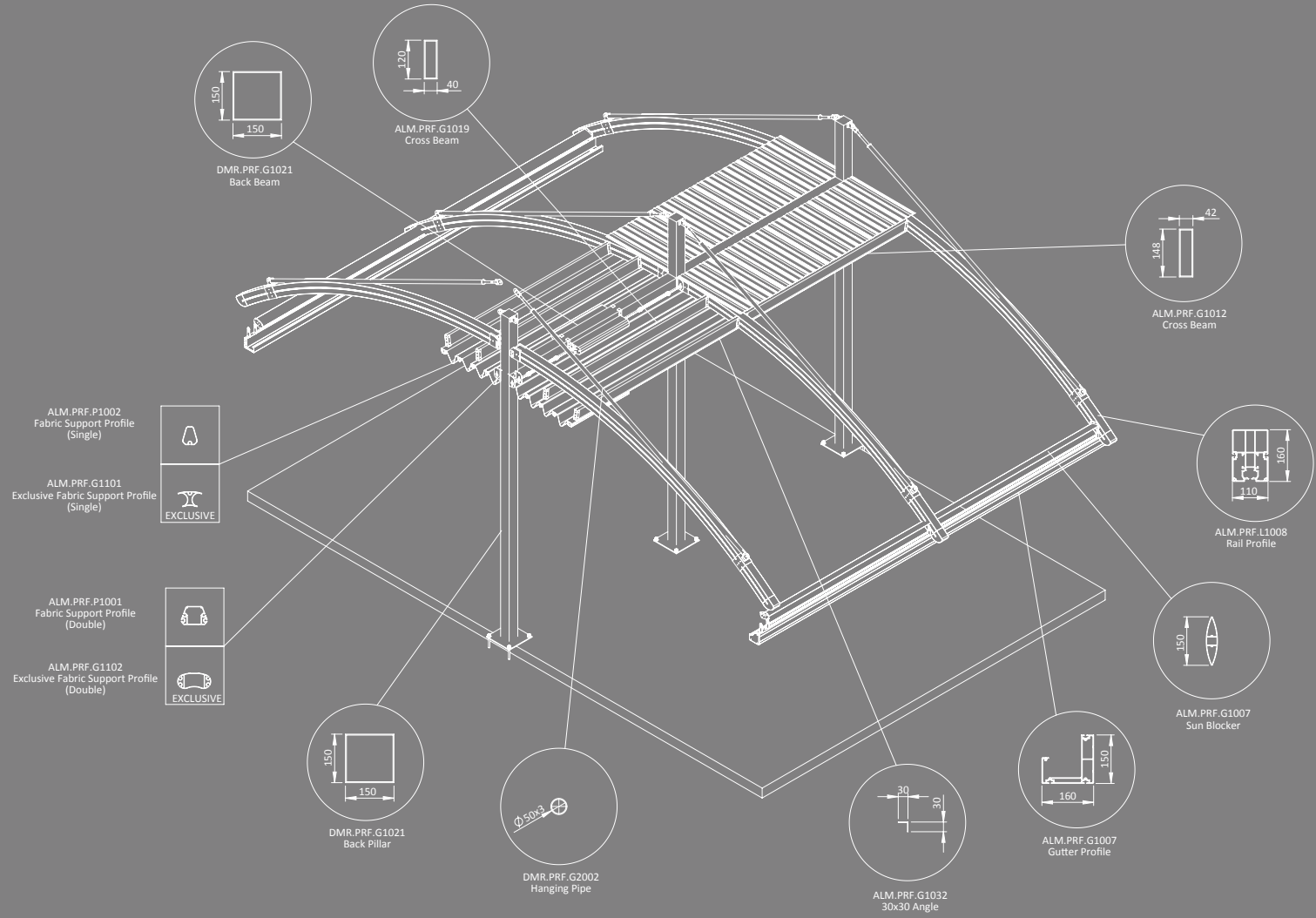
PRICE DIFFERENCE			
BEAM GROUP			
Beam	Standard	St. 150x150x3mm	
	to	St. 150x150x5mm	€ 90 lm
PILLAR GROUP			
Pillar	Standard	St. 150x150x3mm	
	to	St. 150x150x5mm	€ 535 pcs

Notes:

1. Fabric support profiles can be painted in the same color as the general construction. No fee is paid for this process. However, the plastic color should be specified from our standard plastic colours in Palmiye Color Chart.
2. For one product, a dry contact transmitter costing 370€, must be added.
3. Up to 5 products, a RS485 Automation interface dry contact transmitter costing 1126€, must be added.
4. The prices in the main table are for wall mounted products. This model also can be made as freestanding. For freestanding applications "FS10-150ST3" or "FS10-150ST5" pillar options and "St. 150x150x3mm" or "St. 150x150x5mm" back beam options should be added to the main prices.



TWIN HANGING SYSTEM



TECHNICAL DETAILS

WATER DRAIN&GUTTER CALCULATION

PRODUCT TYPE	MAX. M ²	USED PRODUCT TYPE
WATER DRAINAGE 45	34m ²	1200 Series Standard
WATER DRAINAGE 65	42m ²	Standard

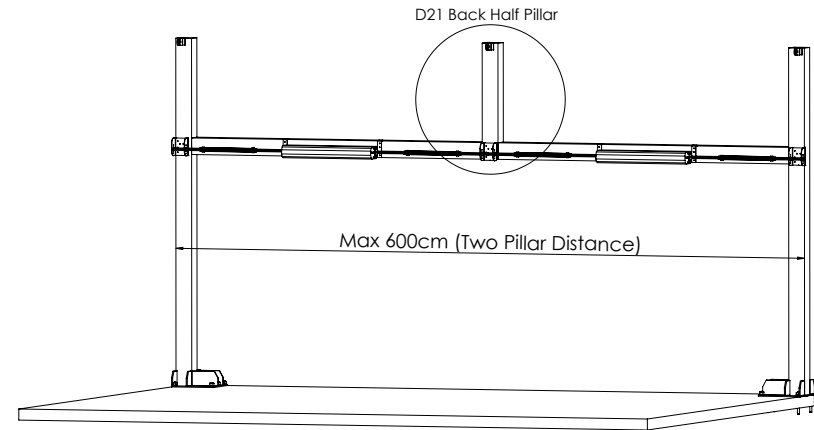
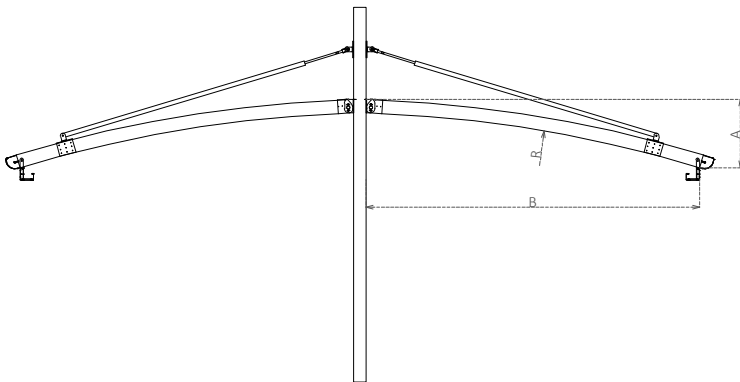
*There should be at least one drainage, each 8 m length gutter.

RADIUS CHART

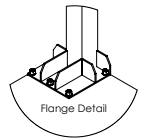
RADIUS	650	850	1500
--------	-----	-----	------

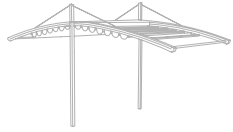
Projection	A			B
300	41			
400	58			
500	81	65		
600		85		
700		109		
800		137	83	
900			100	
1000			118	
1100			139	
1200			161	

*The values are approx. ± 5 cm



- This model includes 3m steel back beam and pillars.
- The front beam can not be produced in steel.
- Ground flanges are 380x380x15 mm.
- When pillar reduction is applied, half pillar must be installed at the back of each rail shaft, and all steel pillars should be 150x150x5 mm.
- In condition of adding an additional rail, a steel 150x150x3m back pillar should also be added.





TWIN HANGING SYSTEM

WIDTH																						FS4-L1600 (R97)	
PROJECTION	2 RAIL					3 RAIL									4 RAIL								
	250 cm	300 cm	350 cm	400 cm	450 cm	500 cm	550 cm	600 cm	650 cm	700 cm	750 cm	800 cm	850 cm	900 cm	950 cm	1000 cm	1050 cm	1100 cm	1150 cm	1200 cm	1250 cm		
400 cm	€ 12.088	€ 12.649	€ 13.358	€ 14.141	€ 16.233	€ 17.297	€ 17.845	€ 18.603	€ 19.291	€ 19.758	€ 20.307	€ 21.062	€ 23.748	€ 24.286	€ 25.381	€ 25.921	€ 26.466	€ 27.000	€ 27.755	€ 28.185	€ 28.859	€ 29.397	€ 1.700
450 cm	€ 12.497	€ 13.072	€ 13.796	€ 14.594	€ 16.835	€ 17.914	€ 18.477	€ 19.248	€ 19.953	€ 20.431	€ 20.994	€ 21.763	€ 24.606	€ 25.161	€ 26.270	€ 26.824	€ 27.380	€ 27.933	€ 28.703	€ 29.139	€ 29.828	€ 30.379	€ 1.824
500 cm	€ 12.895	€ 13.488	€ 14.227	€ 15.040	€ 17.429	€ 18.524	€ 19.098	€ 19.884	€ 20.606	€ 21.092	€ 21.671	€ 22.454	€ 25.456	€ 26.024	€ 27.147	€ 27.715	€ 28.287	€ 28.851	€ 29.634	€ 30.085	€ 30.789	€ 31.355	€ 1.950
550 cm	€ 13.593	€ 14.485	€ 15.299	€ 16.191	€ 18.768	€ 19.940	€ 20.804	€ 21.451	€ 22.465	€ 23.020	€ 23.671	€ 24.530	€ 27.647	€ 28.321	€ 29.551	€ 30.225	€ 31.086	€ 31.728	€ 32.584	€ 33.095	€ 33.872	€ 34.728	€ 2.076
600 cm	€ 14.007	€ 14.914	€ 15.747	€ 16.650	€ 19.376	€ 20.563	€ 21.445	€ 22.107	€ 23.131	€ 23.697	€ 24.365	€ 25.240	€ 28.611	€ 29.267	€ 30.479	€ 31.133	€ 32.010	€ 32.666	€ 33.537	€ 34.058	€ 34.849	€ 35.720	€ 2.200
650 cm	€ 14.410	€ 15.335	€ 16.180	€ 17.098	€ 19.969	€ 21.174	€ 22.072	€ 22.747	€ 23.787	€ 24.271	€ 24.946	€ 25.832	€ 29.457	€ 30.132	€ 31.361	€ 32.036	€ 32.813	€ 33.594	€ 34.480	€ 35.010	€ 35.815	€ 36.701	€ 2.326
700 cm	€ 14.816	€ 15.753	€ 16.611	€ 17.549	€ 20.572	€ 21.790	€ 22.698	€ 23.392	€ 24.446	€ 24.937	€ 25.629	€ 26.528	€ 30.322	€ 31.007	€ 32.249	€ 32.934	€ 33.836	€ 34.521	€ 35.424	€ 35.964	€ 36.786	€ 37.683	€ 2.450
750 cm	€ 15.222	€ 16.172	€ 17.047	€ 17.997	€ 21.172	€ 22.405	€ 23.328	€ 24.034	€ 25.106	€ 25.605	€ 26.308	€ 27.222	€ 31.180	€ 31.880	€ 33.137	€ 33.835	€ 34.753	€ 35.452	€ 36.367	€ 36.920	€ 37.753	€ 38.664	€ 2.576
800 cm	€ 18.479	€ 19.361	€ 20.476	€ 21.711	€ 25.004	€ 26.393	€ 27.254	€ 28.447	€ 29.530	€ 30.266	€ 31.129	€ 32.318	€ 36.549	€ 37.398	€ 38.803	€ 39.653	€ 40.509	€ 41.354	€ 42.541	€ 43.218	€ 44.281	€ 45.127	€ 2.700
850 cm	€ 18.806	€ 19.701	€ 20.828	€ 22.074	€ 25.484	€ 26.884	€ 27.758	€ 28.962	€ 30.057	€ 30.802	€ 31.679	€ 32.877	€ 37.232	€ 38.092	€ 39.508	€ 40.370	€ 41.235	€ 42.093	€ 43.293	€ 43.976	€ 45.050	€ 45.906	€ 2.825
900 cm	€ 19.131	€ 20.040	€ 21.178	€ 22.437	€ 25.964	€ 27.375	€ 28.261	€ 29.476	€ 30.584	€ 31.336	€ 32.226	€ 33.436	€ 37.915	€ 38.786	€ 40.216	€ 41.086	€ 41.961	€ 42.834	€ 44.046	€ 44.732	€ 45.819	€ 46.687	€ 2.993
950 cm	€ 19.453	€ 20.373	€ 21.524	€ 22.794	€ 26.438	€ 27.862	€ 28.755	€ 29.984	€ 31.105	€ 31.865	€ 32.764	€ 33.987	€ 38.588	€ 39.472	€ 40.912	€ 41.796	€ 42.682	€ 43.562	€ 44.785	€ 45.485	€ 46.581	€ 47.462	€ 3.074
1000 cm	€ 19.775	€ 20.706	€ 21.869	€ 23.151	€ 26.912	€ 28.347	€ 29.250	€ 30.490	€ 31.626	€ 32.392	€ 33.302	€ 34.536	€ 39.264	€ 40.159	€ 41.609	€ 42.505	€ 43.402	€ 44.292	€ 45.526	€ 46.235	€ 47.345	€ 48.235	€ 3.198
1050 cm	€ 20.096	€ 21.039	€ 22.215	€ 23.507	€ 27.386	€ 28.834	€ 29.745	€ 30.996	€ 32.147	€ 32.918	€ 33.842	€ 35.087	€ 39.937	€ 40.844	€ 42.307	€ 43.214	€ 44.123	€ 45.020	€ 46.265	€ 46.988	€ 48.107	€ 49.010	€ 3.324
1100 cm	€ 20.418	€ 21.372	€ 22.559	€ 23.864	€ 27.860	€ 29.320	€ 30.240	€ 31.502	€ 32.668	€ 33.447	€ 34.380	€ 35.637	€ 40.612	€ 41.530	€ 43.003	€ 43.923	€ 44.843	€ 45.750	€ 47.007	€ 47.738	€ 48.871	€ 49.785	€ 3.448
1150 cm	€ 20.738	€ 21.705	€ 22.905	€ 24.222	€ 28.334	€ 29.805	€ 30.734	€ 32.008	€ 33.189	€ 33.974	€ 34.920	€ 36.188	€ 41.286	€ 42.215	€ 43.701	€ 44.631	€ 45.564	€ 46.478	€ 47.746	€ 48.491	€ 49.633	€ 50.558	€ 3.573
1200 cm	€ 21.060	€ 22.040	€ 23.249	€ 24.579	€ 28.808	€ 30.292	€ 31.229	€ 32.514	€ 33.709	€ 34.501	€ 35.458	€ 36.737	€ 41.961	€ 42.902	€ 44.399	€ 45.340	€ 46.284	€ 47.208	€ 48.487	€ 49.241	€ 50.396	€ 51.333	€ 3.696

G22	€ 251	€ 259	€ 282	€ 312	€ 340	€ 363	€ 391	€ 416	€ 442	€ 467	€ 601	€ 627	€ 655	€ 679	€ 708	€ 735	€ 759	€ 786	€ 811	€ 839	€ 863	€ 890
FS5-A	€ 44	€ 56	€ 65	€ 75	€ 87	€ 96	€ 108	€ 117	€ 129	€ 139	€ 150	€ 160	€ 171	€ 181	€ 192	€ 202	€ 214	€ 223	€ 235	€ 244	€ 256	€ 266
FS5-E	€ 61	€ 77	€ 90	€ 103	€ 119	€ 132	€ 148	€ 162	€ 178	€ 191	€ 207	€ 220	€ 236	€ 249	€ 265	€ 278	€ 294	€ 307	€ 323	€ 336	€ 352	€ 366

G22	L1600 Gutter system (One side)
FS5-A	Additional Fabric Support Profile (Standard)
FS4-L1600 (R97)	Additional Rail - Al. 110x160mm
FS8	Lighting System

FS8	
FS8-S	SPOT
FS8-L	LINEAR
FS8-LR	LINEAR (RGB)

LED TYPE & MODULE		
2 LED	3 LED	4 LED
€ 136	€ 165	€ 194
€ 194	€ 252	
€ 247	€ 320	

Notes:

- FS Flexy Plain/3D or Stam 6002 is included in the price.
- Motor and Remote control is included in the price.
- Palmiye Aluminium Coating Catalogue includes the standard colours with no extra cost. For any other type/brand/color of paint, price difference and additional delivery duration shall be checked from your customer representative.
- Standard "Fabric support profile plastic colors" are specified in our Aluminium coating catalogue.

DEDUCTIONS

Price deduction is applicable only for back pillars and back beam. Deduction amount shall be consider as 70% of related option price.

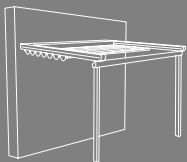
OPTIONS			
FS10-L1600 (ALM-16)	Extra pillar (100x160mm Al.) for L1600 series	€ 362	pcs
FS10	Extra pillar (100x100mm Al.)	€ 540	pcs
FS10-ST3	Extra pillar (100x100x3mm St.)	€ 671	pcs
FS10-ST5	Extra pillar (100x100x5mm St.)	€ 978	pcs
FS11	Deco ceiling cover	€ 75	m ²
FS13-A	Wavy ceiling cover (for flexy fabric) (up to 350 cm width)	€ 38	m ²
FS15	Side beam pillar (50x100mm - Al)	€ 280	pcs
FS15-L1600 (ALM-11)	Side beam pillar (100x100mm - Al) for L1600 series	€ 355	pcs
FS19	Fix louver	€ 74	lm
FS23	External Square Downpipe	€ 330	pcs
FS24	W96 Ceiling Cover	€ 86	m ²
FS26	Exclusive fabric difference (up to 800cm width)	€ 51	m ²
FS28-1	Stainless steel chain - 100 cm	€ 78	1m
FS28-2	Stainless steel chain - 200 cm	€ 153	2m
FS28-3	Stainless steel chain - 300 cm	€ 230	3m
FS28-4	Stainless steel chain - 400 cm	€ 306	4m
FS29-1	Sun Sensor (SUNIS) (for single motor)	€ 625	pcs
FS29-2	Wind Sensor (EOLIS RTS) (for single motor)	€ 292	pcs
FS29-3	Sun and Wind Sensor (SOLIRIS RTS) (for single motor)	€ 331	pcs
FS29-4	* Rain Sensor (ONDEIS) (for single motor)	€ 574	pcs
FS30	CONNEXOON	€ 525	pcs
FS10-150ST5-H	Extra half pillar (150x150x5mm St.)	€ 210	pcs
FS10-150ST3	Extra pillar (150x150x3mm St.)	€ 1.252	pcs
FS10-150ST5	Extra pillar (150x150x5mm St.)	€ 1.751	pcs

EXTENSIONS		
L1600 Rail - 110x160mm	€ 270	lm
Beam Profile (St. 150x150x3mm)	€ 439	lm
Beam Profile (St. 150x150x5mm)	€ 616	lm
Fabric protection cover (Al. - 63x___cm)	€ 60	m ²
L1600 Gutter	€ 105	lm

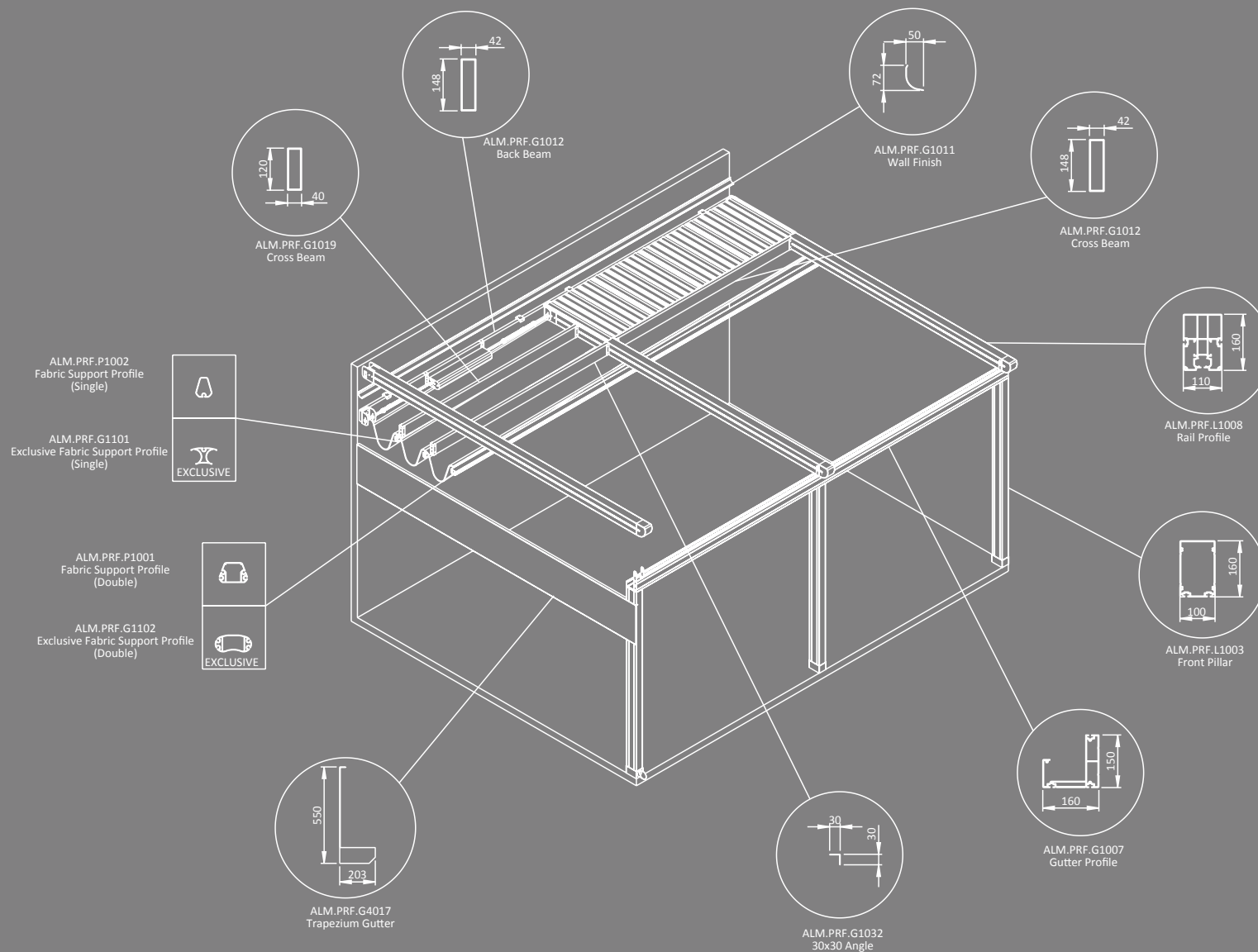
PRICE DIFFERENCE				
BEAM GROUP				
Beam	Standard	St. 150x150x3mm		
	to	St. 150x150x5mm	€ 90	lm
PILLAR GROUP				
Pillar	Standard	St. 150x150x3mm		
	to	St. 150x150x5mm	€ 535	pcs

Notes:

1. Fabric support profiles can be painted in the same color as the general construction. No fee is paid for this process. However, the plastic color should be specified from our standard plastic colours in Palmiye Color Chart.
2. For one product, a dry contact transmitter costing 370€, must be added.
3. Up to 5 products, a RS485 Automation interface dry contact transmitter costing 1126€, must be added.
4. The prices in the main table are for wall mounted products. This model also can be made as freestanding. For freestanding applications "FS10-150ST3" or "FS10-150ST5" pillar options and "St. 150x150x3mm" or "St. 150x150x5mm" back beam options should be added to the main prices.



STANDING SYSTEM WITH FRONT PILLAR



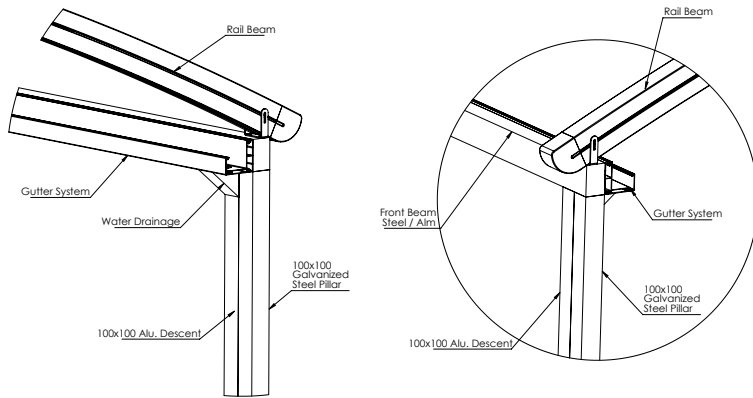
TECHNICAL DETAILS

WATER DRAIN&GUTTER CALCULATION

PRODUCT TYPE	MAX. M ²	USED PRODUCT TYPE
WATER DRAINAGE 45	34m ²	1200 Series Standard
WATER DRAINAGE 65	42m ²	Standard

*There should be at least one drainage, each 8 m length gutter.

APPLICATION FORM IN STEEL FRONT BEAM AND DEVICE



* In use of aluminum front pillar of 100*100 and front beam of 100*150 water drain, is applied from the available pillar. No external descent is applied.

BACK BEAM PROFILE TYPE (INCLUDED IN PERGOLA PRICE)

		PRODUCT WIDTH					
		FROM 200CM TO 800CM					
PROJECTION	200	E	E	E	E	E	E
	600	E	E	E	E	E	E
	800	E	E	E	E	E	E
BACK BEAM		E	42*150 ALU				

* Utilization table of back beam is included in the list price.

FRONT PILLAR REDUCTION CONDITIONS

		OUT TO OUT PILLAR SIZE					
		450	500	600	700	750	800
PROJECTION	400	A	A	B	B	C	C
	500	A	A	B	B	C	C
	600	A	A	B	B	C	C
	700	A	A	B	B	C	C
	800	A	A	B	B	C	C
F. PILLAR F. BEAM	A	100*100 ALU 100*150 ALU	B	100*100*3 G.S 100*150*3 G.S	C	100*100*5 G.S 100*200*5 G.S	

* The front pillar reduction use table should be additionally priced.

* Ground mounting is performed with flange of 200*200*10 mm or ground anchor of standard 1600 series 110*160.

* Application is made behind the gutter system.

* Maximum height is 400 cm for aluminum front pillars.

* Maximum height is 500 cm for steel front pillars.

* If front pillar and beam is made of steel, water drain is given from empty aluminum box profile of 100*100.



STANDING SYSTEM WITH FRONT PILLAR

WIDTH																
PROJECTION	2 RAIL				3 RAIL								FS4-L1600 (R97)	FS9-L1600 (Y64)	FS9	FS21
	250 cm	300 cm	350 cm	400 cm	450 cm	500 cm	550 cm	600 cm	650 cm	700 cm	750 cm	800 cm				
200 cm	€ 6.611	€ 6.977	€ 7.474	€ 7.981	€ 9.068	€ 9.438	€ 9.808	€ 10.178	€ 10.787	€ 11.114	€ 11.588	€ 11.954	€ 1.202	€ 246	€ 242	€ 396
250 cm	€ 6.954	€ 7.492	€ 7.992	€ 8.398	€ 9.518	€ 9.985	€ 10.526	€ 10.917	€ 11.409	€ 11.759	€ 12.256	€ 12.792	€ 1.326	€ 295	€ 292	€ 495
300 cm	€ 7.497	€ 8.103	€ 8.669	€ 9.143	€ 10.410	€ 10.941	€ 11.545	€ 12.002	€ 12.558	€ 12.967	€ 13.532	€ 14.131	€ 1.452	€ 347	€ 343	€ 595
350 cm	€ 7.997	€ 8.476	€ 9.068	€ 9.713	€ 11.090	€ 11.645	€ 12.129	€ 12.755	€ 13.337	€ 13.766	€ 14.354	€ 14.981	€ 1.575	€ 397	€ 393	€ 693
400 cm	€ 8.349	€ 8.853	€ 9.470	€ 10.140	€ 11.628	€ 12.208	€ 12.717	€ 13.368	€ 13.970	€ 14.426	€ 15.038	€ 15.685	€ 1.700	€ 448	€ 443	€ 793
450 cm	€ 8.709	€ 9.238	€ 9.879	€ 10.574	€ 12.175	€ 12.780	€ 13.314	€ 13.989	€ 14.617	€ 15.094	€ 15.730	€ 16.404	€ 1.824	€ 500	€ 493	€ 891
500 cm	€ 9.064	€ 9.618	€ 10.283	€ 11.001	€ 12.721	€ 13.348	€ 13.904	€ 14.602	€ 15.258	€ 15.755	€ 16.416	€ 17.113	€ 1.950	€ 550	€ 543	€ 991
550 cm	€ 9.620	€ 10.390	€ 11.119	€ 11.907	€ 13.769	€ 14.461	€ 15.226	€ 15.846	€ 16.711	€ 17.269	€ 17.994	€ 18.757	€ 2.076	€ 600	€ 593	€ 1.089
600 cm	€ 9.983	€ 10.778	€ 11.536	€ 12.345	€ 14.320	€ 15.038	€ 15.830	€ 16.475	€ 17.362	€ 17.941	€ 18.691	€ 19.478	€ 2.200	€ 651	€ 643	€ 1.189
650 cm	€ 10.340	€ 11.162	€ 11.941	€ 12.776	€ 14.866	€ 15.609	€ 16.425	€ 17.094	€ 18.003	€ 18.543	€ 19.313	€ 20.123	€ 2.326	€ 703	€ 693	€ 1.287
700 cm	€ 10.699	€ 11.543	€ 12.347	€ 13.208	€ 15.414	€ 16.180	€ 17.019	€ 17.714	€ 18.650	€ 19.208	€ 20.003	€ 20.836	€ 2.450	€ 753	€ 743	€ 1.385
750 cm	€ 11.059	€ 11.927	€ 12.756	€ 13.639	€ 15.962	€ 16.752	€ 17.615	€ 18.332	€ 19.295	€ 19.873	€ 20.691	€ 21.549	€ 2.576		€ 1.073	€ 1.485
800 cm	€ 11.614	€ 12.551	€ 13.446	€ 14.397	€ 16.866	€ 17.721	€ 18.650	€ 19.431	€ 20.459	€ 21.095	€ 21.978	€ 22.900	€ 2.700		€ 1.123	€ 1.584
															included side beam pillar	
FS5-A	€ 44	€ 56	€ 65	€ 75	€ 87	€ 96	€ 108	€ 117	€ 129	€ 139	€ 150	€ 160				
FS5-E	€ 61	€ 77	€ 90	€ 103	€ 119	€ 132	€ 148	€ 162	€ 178	€ 191	€ 207	€ 220				

FS5-A	Additional Fabric Support Profile (Standard)
FS4-L1600 (R97)	Additional Rail - Al. 110x160mm
FS9-L1600 (Y64)	Side Beam - Al. 100x100mm
FS9	Side Beam - Al. 50x150mm
FS8	Lighting System
FS21	Trapezium Gutter

FS8	
FS8-S	SPOT
FS8-L	LINEAR
FS8-LR	LINEAR (RGB)

LED TYPE & MODULE		
2 LED	3 LED	4 LED
€ 136	€ 165	€ 194
€ 194	€ 252	
€ 247	€ 320	

Notes:

- Any Side Beam is not included in the price.
- If side beam used and projection is bigger than 700 cm, a side beam pillar also needs to be added up to the rail. Price is included in FS9 side beam option price.
- FS Flexy Plain/3D or Stam 6002 Trapezium ceiling cover, Motor and Remote control are included in the price.
- Palmye Aluminium Coating Catalogue includes the standard colours with no extra cost. For any other type/brand/coulor of paint, price difference and additional delivery duration shall be checked from your customer representative.
- Standard "Fabric support profile plastic colors" are specified in our Aluminium coating catalogue.
- Optionally FS21 Trapezium Gutter can be added.
- Trapezium ceiling cover is included in the price.

DEDUCTIONS

Price deduction is applicable only for pillars and beam. Deduction amount shall be consider as 70% of related option price.

OPTIONS			
FS10-L1600 (ALM-16)	Extra pillar (100x160mm Al.) for L1600 series	€ 362	pcs
FS10	Extra pillar (100x100mm Al.)	€ 540	pcs
FS10-ST3	Extra pillar (100x100x3mm St.)	€ 671	pcs
FS10-ST5	Extra pillar (100x100x5mm St.)	€ 978	pcs
FS11	Deco ceiling cover	€ 75	m ²
FS13-A	Wavy ceiling cover (for flexy fabric) (up to 350 cm width)	€ 38	m ²
FS15	Side beam pillar (50x100mm- Al)	€ 280	pcs
FS15-L1600 (ALM-11)	Side beam pillar (100x100mm- Al) for L1600 series	€ 355	pcs
FS19	Fix louver	€ 74	lm
FS23	External Square Downpipe	€ 330	pcs
FS24	W96 Ceiling Cover	€ 86	m ²
FS29-1	Sun Sensor (SUNIS) (for single motor)	€ 625	pcs
FS29-1S	Sun Sensor (SUNIS) (for synchronized motor)	€ 989	pcs
FS29-2	Wind Sensor (EOLIS RTS) (for single motor)	€ 292	pcs
FS29-2S	Wind Sensor (EOLIS RTS) (for synchronized motor)	€ 657	pcs
FS29-3	Sun and Wind Sensor (SOLIRIS RTS) (for single motor)	€ 331	pcs
FS29-3S	Sun and Wind Sensor (SOLIRIS RTS) (for synchronized motor)	€ 696	pcs
FS29-4	* Rain Sensor (ONDEIS) (for single motor)	€ 574	pcs
FS29-4S	* Rain Sensor (ONDEIS) (for synchronized motor)	€ 939	pcs
FS30	CONNEXOON	€ 525	pcs

EXTENSIONS		
L1600 Rail - 110x160mm	€ 270	lm
Beam Profile (Al. 42x150mm)	€ 105	lm
Beam Profile (Al. 50x150mm)	€ 185	lm
Beam Profile (Al. 100x150mm)	€ 155	lm
Beam Profile (St. 100x150x3mm)	€ 320	lm
Beam Profile (St. 100x150x5mm)	€ 388	lm
Beam Profile (St. 100x200x3mm)	€ 324	lm
Beam Profile (St. 100x200x5mm)	€ 461	lm
Fabric protection cover (Al. - 63x___cm)	€ 60	m ²
L1600 Gutter	€ 105	lm

*Max. Al. Front pillar (Al. 100x160mm) height is 280cm

*Max. St 3mm. Front pillar (St. 100x100x3mm) height is 380cm

*Max. St. 5mm Front pillar (St. 100x100x5mm) height is 480cm

PRICE DIFFERENCE				
BEAM GROUP				
Back Beam	Standard	Al. 42x150mm		
	to	Al. 50x150mm	€ 81	lm
		St. 50x150x3mm	€ 104	lm
		St. 50x150x5mm	€ 192	lm
		Al. 100x150mm	€ 48	lm
		St. 100x150x3mm	€ 210	lm
		St. 100x150x5mm	€ 285	lm
		St. 100x200x3mm	€ 215	lm
		St. 100x200x5mm	€ 359	lm
		PILLAR GROUP		
Front Pillar		Standard	Al. 100x160mm	
	to	Al. 100x100mm	€ 178	pcs
		St. 100x100x3mm	€ 197	pcs
		St. 100x100x5mm	€ 512	pcs
		St. 150x150x3mm	€ 787	pcs
St. 150x150x5mm		€ 1.288	pcs	

Notes:

1. Fabric support profiles can be painted in the same color as the general construction. No fee is paid for this process. However, the plastic color should be specified from our standard plastic colours in Palmiye Color Chart.

2. For one product, a dry contact transmitter costing 370€, must be added.

3. Up to 5 products, a RS485 Automation interface dry contact transmitter costing 1126€, must be added.

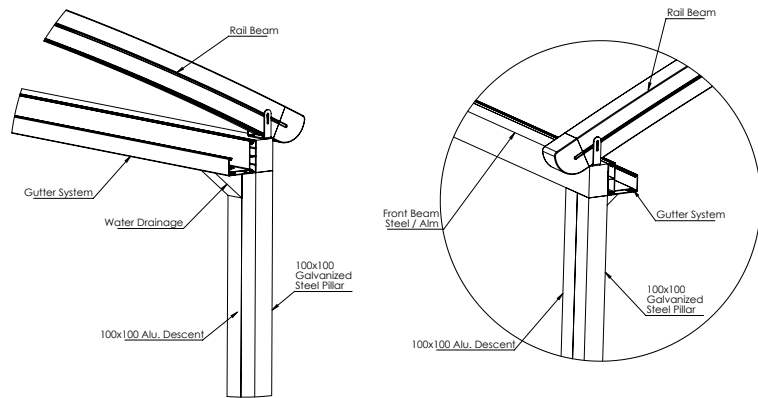
TECHNICAL DETAILS

WATER DRAIN&GUTTER CALCULATION

PRODUCT TYPE	MAX. M²	USED PRODUCT TYPE
WATER DRAINAGE 45	34m²	1200 Series Standard
WATER DRAINAGE 65	42m²	Standard

*There should be at least one drainage, each 8 m length gutter.

APPLICATION FORM IN STEEL FRONT BEAM AND DEVICE



* In use of aluminum front pillar of 100*100 and front beam of 100*150 water drain, is applied from the available pillar. No external descent is applied.

TERMS OF USE OF FRONT PILLAR AND BEAM

		OUT TO OUT PILLAR SIZE				
		450	550	600	650	700
PROJECTION	400	A	A	B	B	C
	500	A	A	B	B	C
	600	A	A	B	C	C
	700	A	B	B	C	C
F. PILLAR	A	100*100 ALU	B	100*100*3 G.S	C	100*100*5 G.S
F. BEAM		100*150 ALU		100*150*3 G.S		100*200*5 G.S

- * Use of front pillar and beam should be additionally priced.
- * Ground mounting of the pillar is performed with flange of 200*200*10 mm or ground anchor.
- * Application is made behind the gutter system.
- * Maximum height is 4m for aluminum front pillars and 5m for steel front pillars.
- * If front pillar and beam is made of steel, water drain is given from empty aluminum box profile of 100*100.

USE OF BACK PILLAR AND BACK BEAM (STANDARD)

		PRODUCT WIDTH							
		450	500	550	600	650	700	750	800
PROJECTION	400	A	A	A	A	A	A	A	A
	450	A	A	A	A	A	A	A	A
	500	A	A	A	A	A	A	A	A
	550	A	A	A	A	A	A	A	A
	600	A	A	A	A	A	A	A	A
	650	A	A	A	A	A	A	A	A
	700	A	A	A	A	A	A	A	A
	750	A	A	A	A	A	A	A	A
	800	A	A	A	A	A	A	A	A
GRD. FLANGE		200*200*10 FLA. ALU							
BACK PILLAR	A	100*100 ALU							
BACK BEAM		100*150 ALU							

* Utilization table of back beam and back pillar is included in the list price.

TERMS OF USE OF BACK PILLAR AND BACK BEAM

		OUT TO OUT PILLAR SIZE						
		450	500	550	600	700	750	800
PROJECTION	400	A	A	A	B	B	C	C
	500	A	A	B	B	B	C	C
	600	A	B	B	B	B	C	C
	700	A	B	B	B	B	C	C
	800	A	B	B	B	B	C	C
BACK PILLAR	A	100*100 ALU	B	100*100*3 G.S	C	100*100*5 G.S		
BACK BEAM		100*150 ALU		100*150*3 G.S		100*200*5 G.S		

- * Use of back pillar and beam should be additionally priced.
- * Floor mounting of the pillar is performed with flange of 200*200*10 mm or ground anchor.
- * Maximum height is 4m for aluminum back pillars and 5m for steel back pillars.



STANDING SYSTEM WITH FRONT AND BACK PILLAR

WIDTH												
PROJECTION	2 RAIL				3 RAIL							
	250 cm	300 cm	350 cm	400 cm	450 cm	500 cm	550 cm	600 cm	650 cm	700 cm	750 cm	800 cm
200 cm	€ 7.330	€ 7.709	€ 8.220	€ 8.742	€ 10.167	€ 10.551	€ 10.935	€ 11.319	€ 11.944	€ 12.285	€ 12.772	€ 13.153
250 cm	€ 7.672	€ 8.224	€ 8.738	€ 9.158	€ 10.618	€ 11.098	€ 11.654	€ 12.059	€ 12.565	€ 12.928	€ 13.441	€ 13.992
300 cm	€ 8.215	€ 8.836	€ 9.416	€ 9.903	€ 11.508	€ 12.054	€ 12.673	€ 13.144	€ 13.712	€ 14.137	€ 14.715	€ 15.329
350 cm	€ 8.716	€ 9.208	€ 9.815	€ 10.474	€ 12.189	€ 12.758	€ 13.258	€ 13.897	€ 14.494	€ 14.937	€ 15.539	€ 16.180
400 cm	€ 9.068	€ 9.586	€ 10.217	€ 10.901	€ 12.727	€ 13.321	€ 13.844	€ 14.510	€ 15.125	€ 15.597	€ 16.221	€ 16.885
450 cm	€ 9.428	€ 9.970	€ 10.627	€ 11.333	€ 13.275	€ 13.894	€ 14.441	€ 15.132	€ 15.774	€ 16.264	€ 16.916	€ 17.602
500 cm	€ 9.783	€ 10.350	€ 11.030	€ 11.762	€ 13.820	€ 14.461	€ 15.031	€ 15.744	€ 16.415	€ 16.926	€ 17.600	€ 18.310
550 cm	€ 10.338	€ 11.122	€ 11.867	€ 12.669	€ 14.868	€ 15.575	€ 16.353	€ 16.988	€ 17.868	€ 18.439	€ 19.178	€ 19.955
600 cm	€ 10.704	€ 11.512	€ 12.283	€ 13.107	€ 15.421	€ 16.153	€ 16.959	€ 17.616	€ 18.518	€ 19.111	€ 19.874	€ 20.677
650 cm	€ 11.059	€ 11.896	€ 12.688	€ 13.537	€ 15.965	€ 16.722	€ 17.554	€ 18.236	€ 19.159	€ 19.713	€ 20.499	€ 21.320
700 cm	€ 11.417	€ 12.275	€ 13.095	€ 13.969	€ 16.512	€ 17.293	€ 18.145	€ 18.856	€ 19.806	€ 20.377	€ 21.188	€ 22.035
750 cm	€ 11.777	€ 12.661	€ 13.503	€ 14.400	€ 17.062	€ 17.866	€ 18.742	€ 19.475	€ 20.452	€ 21.044	€ 21.876	€ 22.749
800 cm	€ 12.333	€ 13.283	€ 14.194	€ 15.158	€ 17.965	€ 18.835	€ 19.778	€ 20.574	€ 21.615	€ 22.263	€ 23.162	€ 24.097

FS5-A	€ 44	€ 56	€ 65	€ 75	€ 87	€ 96	€ 108	€ 117	€ 129	€ 139	€ 150	€ 160
FS5-E	€ 61	€ 77	€ 90	€ 103	€ 119	€ 132	€ 148	€ 162	€ 178	€ 191	€ 207	€ 220

FS4-L1600 (R97)	FS9-L1600 (Y64)	FS9	FS21
€ 1.202	€ 246	€ 242	€ 396
€ 1.326	€ 295	€ 292	€ 495
€ 1.452	€ 347	€ 343	€ 595
€ 1.575	€ 397	€ 393	€ 693
€ 1.700	€ 448	€ 443	€ 793
€ 1.824	€ 500	€ 493	€ 891
€ 1.950	€ 550	€ 543	€ 991
€ 2.076	€ 600	€ 593	€ 1.089
€ 2.200	€ 651	€ 643	€ 1.189
€ 2.326	€ 703	€ 693	€ 1.287
€ 2.450	€ 753	€ 743	€ 1.385
€ 2.576		€ 1.073	€ 1.485
€ 2.700		included side beam pillar	€ 1.584

FS5-A	Additional Fabric Support Profile (Standard)
FS4-L1600 (R97)	Additional Rail - Al. 110x160mm
FS9-L1600 (Y64)	Side Beam for L1600 Series - Al. - 100x100mm
FS9 (Y65)	Side Beam- Al. - 50x150mm
FS8	Lighting System
FS21	Trapezium Gutter

FS8	
FS8-S	SPOT
FS8-L	LINEAR
FS8-LR	LINEAR (RGB)

LED TYPE & MODULE		
2 LED	3 LED	4 LED
€ 136	€ 165	€ 194
€ 194	€ 252	
€ 247	€ 320	

Notes:

- Any Side Beam is not included in the price.
- If side beam used and projection is bigger than 700 cm, a side beam pillar also needs to be added up to the rail. Price is included in FS9 side beam option price.
- FS Flexy Plain/3D or Stam 6002 Trapezium ceiling cover, Motor and Remote control are included in the price.
- Palmye Aluminium Coating Catalogue includes the standard colours with no extra cost. For any other type/brand/color of paint, price difference and additional delivery duration shall be checked from your customer representative.
- Standard "Fabric support profile plastic colors" are specified in our Aluminium coating catalogue.
- Trapezium ceiling cover is included in the price.

DEDUCTIONS

Price deduction is applicable only for front & back pillars and side beam. Deduction amount shall be consider as 70% of related option price.

OPTIONS			
FS10-L1600 (ALM-16)	Extra pillar (100x160mm Al.) for L1600 series	€ 362	pcs
FS10	Extra pillar (100x100mm Al.)	€ 540	pcs
FS10-ST3	Extra pillar (100x100x3mm St.)	€ 671	pcs
FS10-ST5	Extra pillar (100x100x5mm St.)	€ 978	pcs
FS11	Deco ceiling cover	€ 75	m ²
FS13-A	Wavy ceiling cover (for flexy fabric) (up to 350 cm width)	€ 38	m ²
FS15	Side beam pillar (50x100mm- Al)	€ 280	pcs
FS15-L1600 (ALM-11)	Side beam pillar (100x100mm- Al) for L1600 series	€ 355	pcs
FS19	Fix louver	€ 74	lm
FS23	External Square Downpipe	€ 330	pcs
FS24	W96 Ceiling Cover	€ 86	m ²
FS29-1	Sun Sensor (SUNIS) (for single motor)	€ 625	pcs
FS29-1S	Sun Sensor (SUNIS) (for synchronized motor)	€ 989	pcs
FS29-2	Wind Sensor (EOLIS RTS) (for single motor)	€ 292	pcs
FS29-2S	Wind Sensor (EOLIS RTS) (for synchronized motor)	€ 657	pcs
FS29-3	Sun and Wind Sensor (SOLIRIS RTS) (for single motor)	€ 331	pcs
FS29-3S	Sun and Wind Sensor (SOLIRIS RTS) (for synchronized motor)	€ 696	pcs
FS29-4	* Rain Sensor (ONDEIS) (for single motor)	€ 574	pcs
FS29-4S	* Rain Sensor (ONDEIS) (for synchronized motor)	€ 939	pcs
FS30	CONNEXOON	€ 525	pcs

EXTENSIONS		
L1600 Rail - 110x160mm	€ 270	lm
Beam Profile (Al. 100x150mm)	€ 155	lm
Beam Profile (St. 100x150x3mm)	€ 320	lm
Beam Profile (St. 100x150x5mm)	€ 388	lm
Beam Profile (St. 100x200x3mm)	€ 324	lm
Beam Profile (St. 100x200x5mm)	€ 461	lm
Fabric protection cover (Al. - 63x ___cm)	€ 60	m ²
L1600 Gutter	€ 105	lm

*Max. Al. Front pillar (Al. 100x160mm) height is 280cm

*Max. St 3mm. Front pillar (St. 100x100x3mm) height is 380cm

*Max. St. 5mm Front pillar (St. 100x100x5mm) height is 480cm

PRICE DIFFERENCE				
BEAM GROUP				
Back Beam	Standard	Al. 100x150mm		
	to	St. 100x150x3mm	€ 160	lm
		St. 100x150x5mm	€ 238	lm
		St. 100x200x3mm	€ 165	lm
		St. 100x200x5mm	€ 311	lm
PILLAR GROUP				
Front Pillar	Standard	Al. 100x160mm		
	to	Al. 100x100mm	€ 178	pcs
		St. 100x100x3mm	€ 197	pcs
		St. 100x100x5mm	€ 512	pcs
		St. 150x150x3mm	€ 787	pcs
St. 150x150x5mm	€ 1.288	pcs		
PILLAR GROUP				
Back Pillar	Standard	Al. 100x100mm		
	to	St. 100x100x3mm	€ 111	pcs
		St. 100x100x5mm	€ 456	pcs
		St. 150x150x3mm	€ 696	pcs
		St. 150x150x5mm	€ 1.231	pcs

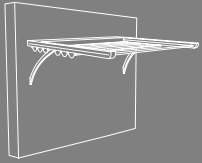
Notes:

1. Fabric support profiles can be painted in the same color as the general construction. No fee is paid for this process.

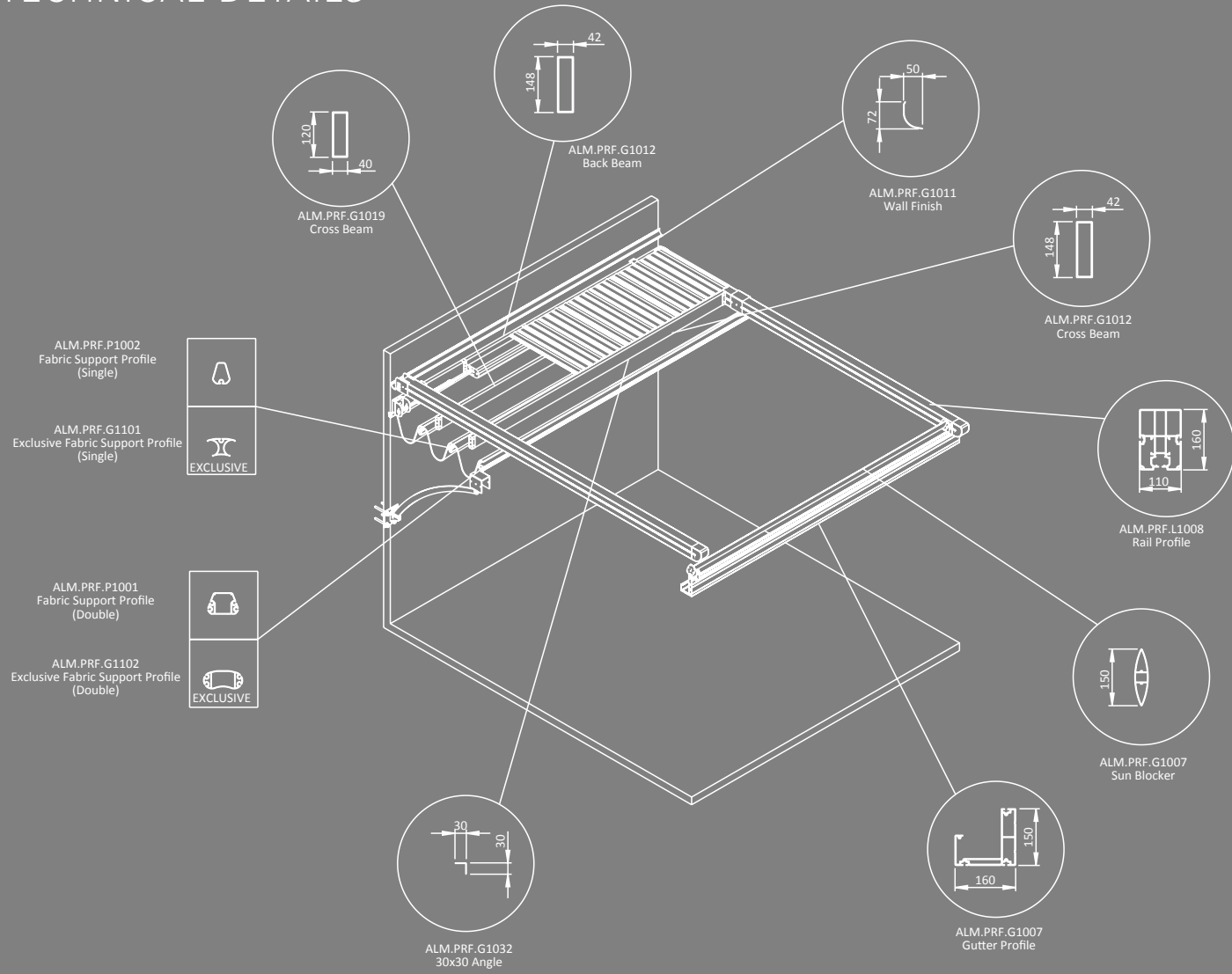
However, the plastic color should be specified from our standard plastic colours in Palmiye Colour Chart.

2. For one product, a dry contact transmitter costing 370€, must be added.

3. Up to 5 products, a RS485 Automation interface dry contact transmitter costing 1126€, must be added.



BRACKET SYSTEM TECHNICAL DETAILS

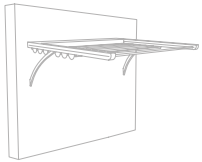


TECHNICAL DETAILS

WATER DRAIN&GUTTER CALCULATION

PRODUCT TYPE	MAX. M ²	USED PRODUCT TYPE
WATER DRAINAGE 45	34m ²	1200 Series Standard
WATER DRAINAGE 65	42m ²	Standard

*There should be at least one drainage, each 8 m length gutter.

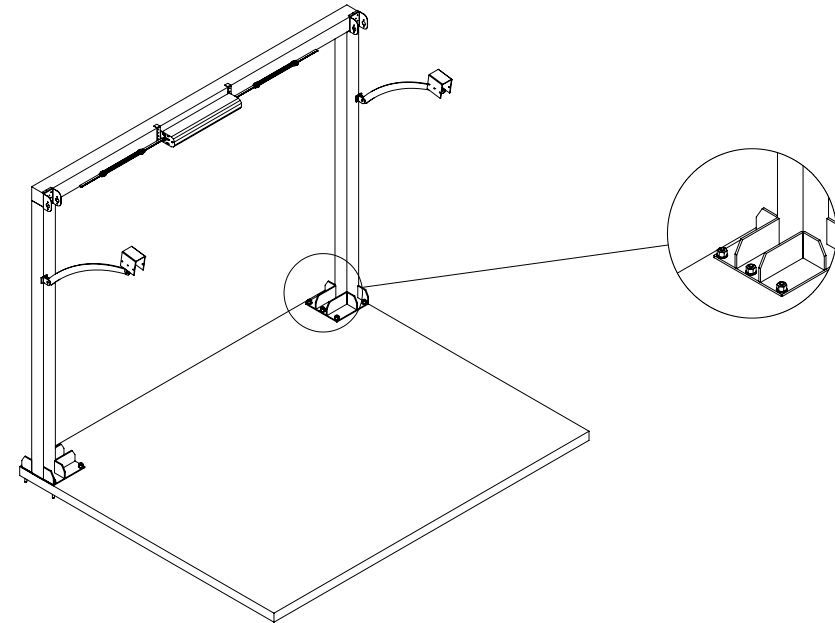


BRACKET SYSTEM

		WIDTH			
		2 RAIL			
		250 cm	300 cm	350 cm	400 cm
PROJECTION	200 cm	€ 6.741	€ 7.114	€ 7.622	€ 8.131
	250 cm	€ 7.081	€ 7.631	€ 8.144	€ 8.655
	300 cm	€ 7.627	€ 8.247	€ 8.825	€ 9.404
	350 cm	€ 8.128	€ 8.619	€ 9.223	€ 9.826
	400 cm	€ 8.478	€ 8.994	€ 9.622	€ 10.251
FS5-A		€ 44	€ 56	€ 65	€ 75
FS5-E		€ 61	€ 77	€ 90	€ 103

FS5-A	Additional Fabric Support Profile (Standard)
FS8	Lighting System

		LED TYPE & MODULE		
FS8		2 LED	3 LED	4 LED
FS8-S	SPOT	€ 136	€ 165	€ 194
FS8-L	LINEAR	€ 194	€ 252	
FS8-LR	LINEAR (RGB)	€ 247	€ 320	



- * Distance between two pillars depends on the system width.
- * For the systems with 2 units next to each other, one of the pillars in the middle will be removed.
- * Strut support apparatus is used under each rail.
- * Pillar and beam are used as 150*150*3mm in standard.

Notes:

1. Any Side Beam is not included in the price.
2. FS Flexy Plain/3D or Stam 6002 Trapezium ceiling cover, Motor and Remote control are included in the price.
3. Palmiye Aluminium Coating Catalogue includes the standard colours with no extra cost. For any other type/brand/color of paint, price difference and additional delivery duration shall be checked from your customer representative.
4. Standard "Fabric support profile plastic colors" are specified in our Aluminium coating catalogue.
5. Optionally FS21 Trapezium Gutter can be added.
6. This product includes a sun braker profile in the front to connect the rails.
7. Trapezium ceiling cover is included in the price.

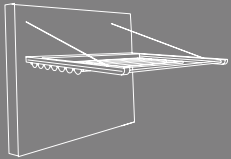
OPTIONS			
FS10-L1600 (ALM-16)	Extra pillar (100x160mm Al.) for L1600 series	€ 362	pcs
FS10	Extra pillar (100x100mm Al.)	€ 540	pcs
FS10-ST3	Extra pillar (100x100x3mm St.)	€ 671	pcs
FS10-ST5	Extra pillar (100x100x5mm St.)	€ 978	pcs
FS11	Deco ceiling cover	€ 75	m ²
FS13-A	Wavy ceiling cover (for flexy fabric) (up to 350 cm width)	€ 38	m ²
FS15	Side beam pillar (50x100mm - Al)	€ 280	pcs
FS15-L1600 (ALM-11)	Side beam pillar (100x100mm - Al) for L1600 series	€ 355	pcs
FS19	Fix louver	€ 74	lm
FS23	External Square Downpipe	€ 330	pcs
FS24	W96 Ceiling Cover	€ 86	m ²
FS28-1	Stainless steel chain - 100 cm	€ 78	1m
FS28-2	Stainless steel chain - 200 cm	€ 153	2m
FS28-3	Stainless steel chain - 300 cm	€ 230	3m
FS28-4	Stainless steel chain - 400 cm	€ 306	4m
FS29-1	Sun Sensor (SUNIS) (for single motor)	€ 625	pcs
FS29-1S	Sun Sensor (SUNIS) (for synchronized motor)	€ 989	pcs
FS29-2	Wind Sensor (EOLIS RTS) (for single motor)	€ 292	pcs
FS29-2S	Wind Sensor (EOLIS RTS) (for synchronized motor)	€ 657	pcs
FS29-3	Sun and Wind Sensor (SOLIRIS RTS) (for single motor)	€ 331	pcs
FS29-3S	Sun and Wind Sensor (SOLIRIS RTS) (for synchronized motor)	€ 696	pcs
FS29-4	* Rain Sensor (ONDEIS) (for single motor)	€ 574	pcs
FS29-4S	* Rain Sensor (ONDEIS) (for synchronized motor)	€ 939	pcs
FS30	CONNEXOON	€ 525	pcs
FS10-150ST5-H	Extra half pillar (150x150x5mm St.)	€ 210	pcs
FS10-150ST3	Extra pillar (150x150x3mm St.)	€ 1.252	pcs
FS10-150ST5	Extra pillar (150x150x5mm St.)	€ 1.751	pcs

EXTENSIONS		
L1600 Rail - 110x160mm	€ 270	lm
Beam Profile (Al. 42x150mm)	€ 105	lm
Beam Profile (Al. 50x150mm)	€ 185	lm
Beam Profile (Al. 100x150mm)	€ 155	lm
Beam Profile (St. 100x150x3mm)	€ 320	lm
Beam Profile (St. 100x150x5mm)	€ 388	lm
Beam Profile (St. 100x200x3mm)	€ 324	lm
Beam Profile (St. 100x200x5mm)	€ 461	lm
Fabric protection cover (Al. - 63x___cm)	€ 60	m ²
L1600 Gutter	€ 105	lm

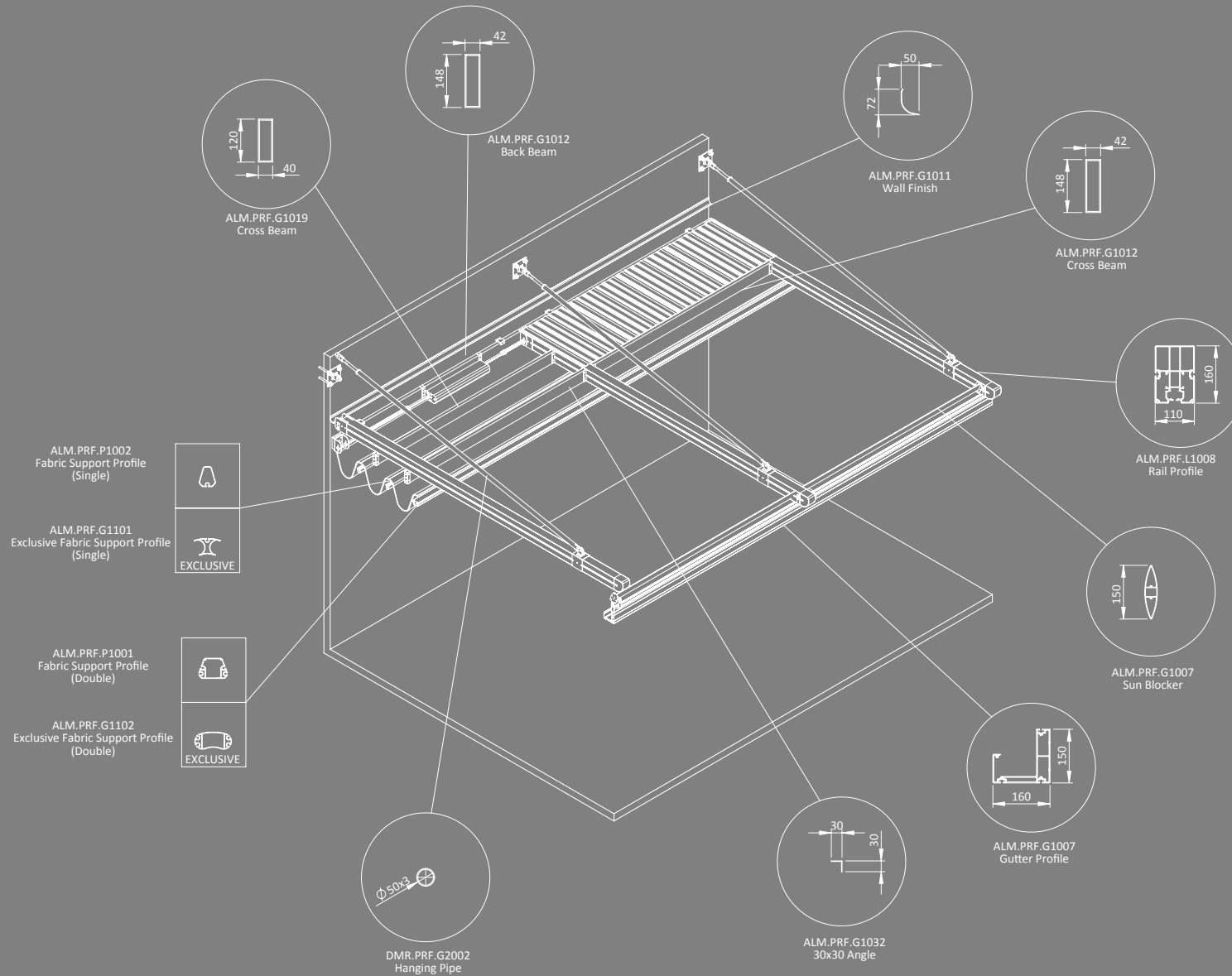
PRICE DIFFERENCE			
BEAM GROUP			
Standard	Al. 42x150mm		
Back Beam to	Al. 50x150mm	€ 81	lm
	St. 50x150x3mm	€ 104	lm
	St. 50x150x5mm	€ 192	lm
	Al. 100x150mm	€ 48	lm
	St. 100x150x3mm	€ 210	lm
	St. 100x150x5mm	€ 285	lm
	St. 100x200x3mm	€ 215	lm
	St. 100x200x5mm	€ 359	lm

Notes:

1. Fabric support profiles can be painted in the same color as the general construction. No fee is paid for this process. However, the plastic color should be specified from our standard plastic colours in Palmiye Color Chart.
2. For one product, a dry contact transmitter costing 370€, must be added.
3. Up to 5 products, a RS485 Automation interface dry contact transmitter costing 1126€, must be added.
4. The prices in the main table are for wall mounted products. This model also can be made as freestanding. For freestanding applications "FS10-150ST3" or "FS10-150ST5" pillar options and "St. 150x150x3mm" or "St. 150x150x5mm" back beam options should be added to the main prices.



HANGING SYSTEM



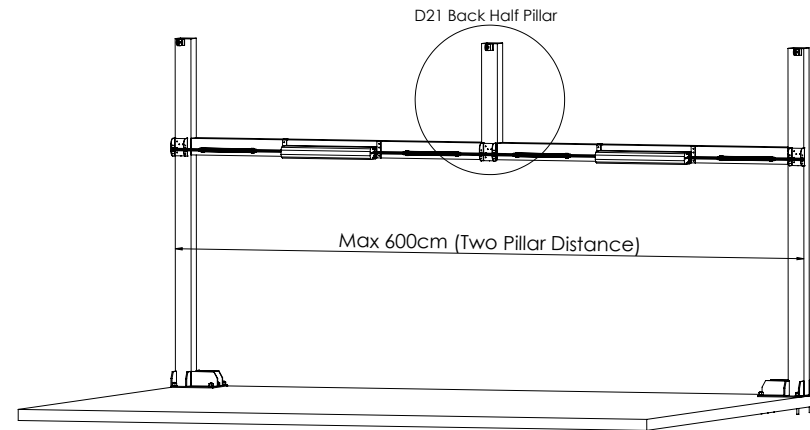
TECHNICAL DETAILS

WATER DRAIN&GUTTER CALCULATION

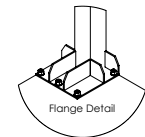
PRODUCT TYPE	MAX. M ²	USED PRODUCT TYPE
WATER DRAINAGE 45	34m ²	1200 Series Standard
WATER DRAINAGE 65	42m ²	Standard

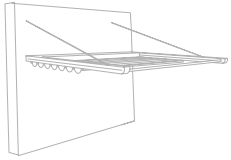
*There should be at least one drainage, each 8 m length gutter.

- This model includes 3m steel back beam and pillars.
- The front beam can not be produced in steel.
- Ground flanges are 380x380x15 mm.
- In condition of adding an additional rail, a steel 150x150x3m back pillar should also be added.



- This model includes 3m steel back beam and pillars.
- The front beam can not be produced in steel.
- Ground flanges are 380x380x15 mm.
- When pillar reduction is applied, half pillar must be installed at the back of each rail shaft, and all steel pillars should be 150x150x5 mm.
- In condition of adding an additional rail, a steel 150x150x3m back pillar should also be added.





HANGING SYSTEM

PROJECTION	WIDTH												FS4-L1600 (R97)	FS21
	2 RAIL				3 RAIL									
	250 cm	300 cm	350 cm	400 cm	450 cm	500 cm	550 cm	600 cm	650 cm	700 cm	750 cm	800 cm		
200 cm	€ 6.771	€ 7.148	€ 7.658	€ 8.180	€ 9.296	€ 9.675	€ 10.056	€ 10.435	€ 11.064	€ 11.400	€ 11.886	€ 12.261	€ 1.202	€ 396
250 cm	€ 7.113	€ 7.667	€ 8.180	€ 8.594	€ 9.750	€ 10.228	€ 10.782	€ 11.184	€ 11.689	€ 12.047	€ 12.558	€ 13.108	€ 1.326	€ 495
300 cm	€ 7.661	€ 8.285	€ 8.866	€ 9.350	€ 10.654	€ 11.198	€ 11.818	€ 12.286	€ 12.858	€ 13.278	€ 13.857	€ 14.472	€ 1.452	€ 595
350 cm	€ 8.165	€ 8.659	€ 9.264	€ 9.926	€ 11.340	€ 11.909	€ 12.406	€ 13.048	€ 13.646	€ 14.086	€ 14.690	€ 15.332	€ 1.575	€ 693
400 cm	€ 8.516	€ 9.034	€ 9.665	€ 10.353	€ 11.882	€ 12.476	€ 12.998	€ 13.664	€ 14.284	€ 14.749	€ 15.378	€ 16.041	€ 1.700	€ 793
450 cm	€ 8.875	€ 9.418	€ 10.074	€ 10.785	€ 12.435	€ 13.053	€ 13.598	€ 14.290	€ 14.935	€ 15.423	€ 16.075	€ 16.765	€ 1.824	€ 891
500 cm	€ 9.229	€ 9.797	€ 10.478	€ 11.214	€ 12.981	€ 13.623	€ 14.191	€ 14.908	€ 15.580	€ 16.088	€ 16.765	€ 17.480	€ 1.950	€ 991
550 cm	€ 9.582	€ 10.176	€ 10.882	€ 11.643	€ 13.529	€ 14.195	€ 14.785	€ 15.526	€ 16.225	€ 16.754	€ 17.456	€ 18.195	€ 1.824	€ 1.089
600 cm	€ 9.936	€ 10.555	€ 11.286	€ 12.072	€ 14.078	€ 14.767	€ 15.380	€ 16.145	€ 16.872	€ 17.419	€ 18.146	€ 18.909	€ 1.950	€ 1.189

G22	€ 251	€ 259	€ 282	€ 312	€ 340	€ 363	€ 391	€ 416	€ 442	€ 467	€ 601	€ 627
FS5-A	€ 44	€ 56	€ 65	€ 75	€ 87	€ 96	€ 108	€ 117	€ 129	€ 139	€ 150	€ 160
FS5-E	€ 61	€ 77	€ 90	€ 103	€ 119	€ 132	€ 148	€ 162	€ 178	€ 191	€ 207	€ 220

FS5-A	Additional Fabric Support Profile (Standard)
FS4-L1600 (R97)	Additional Rail - Al. 110x160mm
FS8	Lighting System
FS21	Trapezium Gutter

FS8	
FS8-S	SPOT
FS8-L	LINEAR
FS8-LR	LINEAR (RGB)

LED TYPE & MODULE		
2 LED	3 LED	4 LED
€ 136	€ 165	€ 194
€ 194	€ 252	
€ 247	€ 320	

Notes:

1. Any Side Beam is not included in the price.
2. FS Flexy Plain/3D or Stam 6002 Trapezium ceiling cover, Motor and Remote control are included in the price.
3. Palmiye Aluminium Coating Catalogue includes the standard colours with no extra cost. For any other type/brand/color of paint, price difference and additional delivery duration shall be checked from your customer representative.
4. Standard "Fabric support profile plastic colors" are specified in our Aluminium coating catalogue.
5. Optionally FS21 Trapezium Gutter can be added.
6. This product includes a sun braker profile in the front to connect the rails.
7. Trapezium ceiling cover is included in the price.

OPTIONS			
FS10-L1600 (ALM-16)	Extra pillar (100x160mm Al.) for L1600 series	€ 362	pcs
FS10	Extra pillar (100x100mm Al.)	€ 540	pcs
FS10-ST3	Extra pillar (100x100x3mm St.)	€ 671	pcs
FS10-ST5	Extra pillar (100x100x5mm St.)	€ 978	pcs
FS11	Deco ceiling cover	€ 75	m ²
FS13-A	Wavy ceiling cover (for flexy fabric) (up to 350 cm width)	€ 38	m ²
FS15	Side beam pillar (50x100mm - Al)	€ 280	pcs
FS15-L1600 (ALM-11)	Side beam pillar (100x100mm - Al) for L1600 series	€ 355	pcs
FS19	Fix louver	€ 74	1m
FS23	External Square Downpipe	€ 330	pcs
FS24	W96 Ceiling Cover	€ 86	m ²
FS28-1	Stainless steel chain - 100 cm	€ 78	1m
FS28-2	Stainless steel chain - 200 cm	€ 153	2m
FS28-3	Stainless steel chain - 300 cm	€ 230	3m
FS28-4	Stainless steel chain - 400 cm	€ 306	4m
FS29-1	Sun Sensor (SUNIS) (for single motor)	€ 625	pcs
FS29-1S	Sun Sensor (SUNIS) (for synchronized motor)	€ 989	pcs
FS29-2	Wind Sensor (EOLIS RTS) (for single motor)	€ 292	pcs
FS29-2S	Wind Sensor (EOLIS RTS) (for synchronized motor)	€ 657	pcs
FS29-3	Sun and Wind Sensor (SOLIRIS RTS) (for single motor)	€ 331	pcs
FS29-3S	Sun and Wind Sensor (SOLIRIS RTS) (for synchronized motor)	€ 696	pcs
FS29-4	* Rain Sensor (ONDEIS) (for single motor)	€ 574	pcs
FS29-4S	* Rain Sensor (ONDEIS) (for synchronized motor)	€ 939	pcs
FS30	CONNEXOON	€ 525	pcs
FS10-150ST5-H	Extra half pillar (150x150x5mm St.)	€ 210	pcs
FS10-150ST3	Extra pillar (150x150x3mm St.)	€ 1.252	pcs
FS10-150ST5	Extra pillar (150x150x5mm St.)	€ 1.751	pcs

EXTENSIONS		
L1600 Rail - 110x160mm	€ 270	1m
Beam Profile (Al. 42x150mm)	€ 105	1m
Beam Profile (Al. 50x150mm)	€ 185	1m
Beam Profile (Al. 100x150mm)	€ 155	1m
Beam Profile (St. 100x150x3mm)	€ 320	1m
Beam Profile (St. 100x150x5mm)	€ 388	1m
Beam Profile (St. 100x200x3mm)	€ 324	1m
Beam Profile (St. 100x200x5mm)	€ 461	1m
Fabric protection cover (Al. - 63x__cm)	€ 60	m ²
L1600 Gutter	€ 105	1m

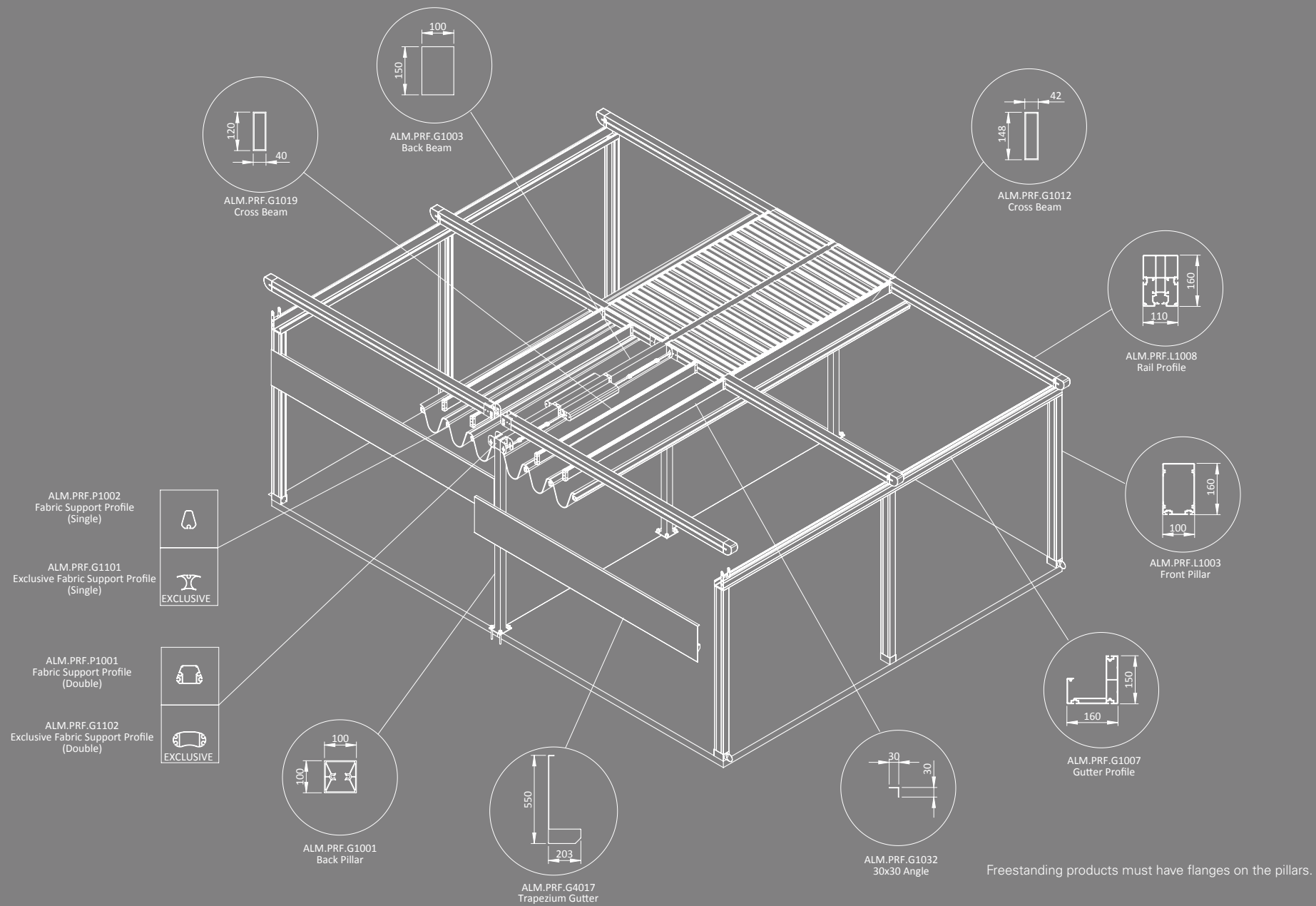
PRICE DIFFERENCE			
BEAM GROUP			
Standard	Al. 42x150mm		
Back Beam to	Al. 50x150mm	€ 81	1m
	St. 50x150x3mm	€ 104	1m
	St. 50x150x5mm	€ 192	1m
	Al. 100x150mm	€ 48	1m
	St. 100x150x3mm	€ 210	1m
	St. 100x150x5mm	€ 285	1m
	St. 100x200x3mm	€ 215	1m
	St. 100x200x5mm	€ 359	1m

Notes:

1. Fabric support profiles can be painted in the same color as the general construction. No fee is paid for this process. However, the plastic color should be specified from our standard plastic colours in Palmiye Color Chart.
2. For one product, a dry contact transmitter costing 370€, must be added.
3. Up to 5 products, a RS485 Automation interface dry contact transmitter costing 1126€, must be added.
4. The prices in the main table are for wall mounted products. This model also can be made as freestanding. For freestanding applications "FS10-150ST3" or "FS10-150ST5" pillar options and "St. 150x150x3mm" or "St. 150x150x5mm" back beam options should be added to the main prices.



TWIN STANDING SYSTEM WITH FRONT PILLAR



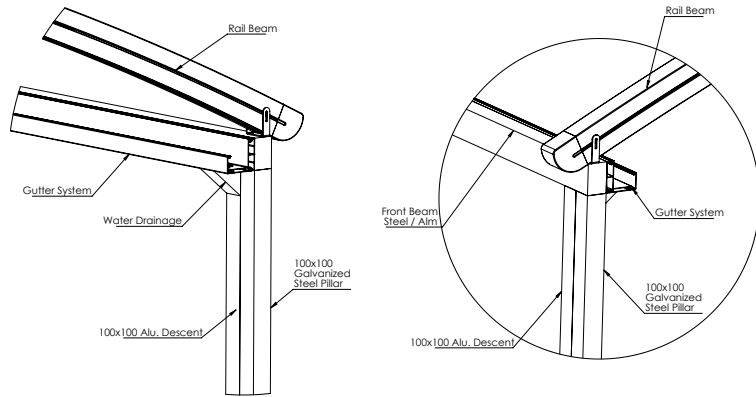
TECHNICAL DETAILS

WATER DRAIN&GUTTER CALCULATION

PRODUCT TYPE	MAX. M ²	USED PRODUCT TYPE
WATER DRAINAGE 45	34m ²	1200 Series Standard
WATER DRAINAGE 65	42m ²	Standard

*There should be at least one drainage, each 8 m length gutter.

APPLICATION FORM IN STEEL FRONT BEAM AND DEVICE



* In use of aluminum front pillar of 100*100 and front beam of 100*150 water drain, is applied from the available pillar. No external descent is applied.

TERMS OF USE OF MIDDLE PILLAR AND BEAM FOR TWIN STANDING SYSTEM (STANDART)

PROJECTION	PRODUCT WIDTH								
	450	500	550	600	650	700	750	800	850
800	A	A	A	A	A	A	A	A	A
900	A	A	A	A	A	A	A	A	A
1000	A	A	A	A	A	A	A	A	A
1100	A	A	A	A	A	A	A	A	A
1200	A	A	A	A	A	A	A	A	A
1300	A	A	A	A	A	A	A	A	A
1400	A	A	A	A	A	A	A	A	A
1500	A	A	A	A	A	A	A	A	A
1600	A	A	A	A	A	A	A	A	A
GROUND FLANGE BACK PILLAR BACK BEAM			A	200*200*10 FLANGE ALU 100*100 ALU 100*150 ALU					

* Price of middle pillar and beam is included in the list price for twin standing system.

TERMS OF USE OF MIDDLE PILLAR AND BEAM

PROJECTION	OUT TO OUT PILLAR SIZE					
	500	550	600	700	750	800
800	B	B	B	C	D	D
1000	B	B	B	C	D	D
1200	B	B	C	C	D	D
1400	B	C	C	C	D	D
1600	C	C	C	C	D	D
F. PILLAR F. BEAM	B	100*100 ALU 100*150 ALU	C	100*100*3 G.S 100*150*3 G.S	D	100*100*5 G.S 100*200*5 G.S

- * Use of middle pillar and beam should be additionally priced.
- * Floor mounting of the pillar is performed with flange of 200*200*10 mm or ground anchor.
- * Maximum height is 4m for aluminum middle pillars and 5m for steel middle pillars.

TERMS OF USE OF FRONT PILLAR AND BEAM

PROJECTION	OUT TO OUT PILLAR SIZE					
	450	550	600	650	700	
800	A	A	B	B	C	
1000	A	A	B	B	C	
1200	A	A	B	C	C	
1400	A	B	B	C	C	
1600	A	B	C	C	C	
F. PILLAR F. BEAM	A	100*100 ALU 100*150 ALU	B	100*100*3 G.S 100*150*3 G.S	C	100*100*5 G.S 100*200*5 G.S

- * Use of front pillar and beam should be additionally priced.
- * Ground mounting of the pillar is performed with flange of 200x200x10 or 100x100 stainless ground anchor.
- * Application is made behind the gutter system
- * Maximum height is 4m for aluminum front pillars and 5m for steel front pillars.
- * If front pillar and beam is made of steel, water drain is given from empty aluminum box profile of 100*100



TWIN STANDING SYSTEM WITH FRONT PILLAR

		WIDTH													
		2 RAIL				3 RAIL							FS4-L1600 (R97)	FS21	
		250 cm	300 cm	350 cm	400 cm	450 cm	500 cm	550 cm	600 cm	650 cm	700 cm	750 cm	800 cm		
PROJECTION	400 cm	€ 11.041	€ 11.652	€ 12.401	€ 13.221	€ 15.316	€ 16.020	€ 16.633	€ 17.426	€ 18.161	€ 18.704	€ 19.420	€ 20.212	€ 1.700	€ 793
	450 cm	€ 11.475	€ 12.113	€ 12.890	€ 13.737	€ 15.975	€ 16.706	€ 17.347	€ 18.168	€ 18.929	€ 19.497	€ 20.241	€ 21.059	€ 1.824	€ 891
	500 cm	€ 11.902	€ 12.569	€ 13.373	€ 14.249	€ 16.630	€ 17.387	€ 18.052	€ 18.900	€ 19.692	€ 20.282	€ 21.052	€ 21.897	€ 1.950	€ 991
	550 cm	€ 12.588	€ 13.527	€ 14.411	€ 15.369	€ 17.931	€ 18.766	€ 19.696	€ 20.437	€ 21.494	€ 22.158	€ 23.005	€ 23.933	€ 2.076	€ 1.089
	600 cm	€ 13.028	€ 13.993	€ 14.910	€ 15.891	€ 18.593	€ 19.458	€ 20.418	€ 21.188	€ 22.267	€ 22.955	€ 23.831	€ 24.785	€ 2.200	€ 1.189
	650 cm	€ 13.457	€ 14.454	€ 15.394	€ 16.404	€ 19.249	€ 20.141	€ 21.129	€ 21.924	€ 23.032	€ 23.665	€ 24.562	€ 25.538	€ 2.326	€ 1.287
	700 cm	€ 13.891	€ 14.912	€ 15.878	€ 16.919	€ 19.907	€ 20.827	€ 21.838	€ 22.666	€ 23.801	€ 24.451	€ 25.379	€ 26.383	€ 2.450	€ 1.385
	750 cm	€ 14.324	€ 15.373	€ 16.368	€ 17.431	€ 20.569	€ 21.513	€ 22.551	€ 23.402	€ 24.567	€ 25.241	€ 26.192	€ 27.223	€ 2.576	€ 1.485
	800 cm	€ 14.878	€ 15.962	€ 16.992	€ 18.087	€ 21.399	€ 22.376	€ 23.450	€ 24.331	€ 25.536	€ 26.236	€ 27.218	€ 28.283	€ 2.700	€ 1.584
	850 cm	€ 17.448	€ 18.470	€ 19.703	€ 21.043	€ 24.338	€ 25.497	€ 26.513	€ 27.815	€ 29.023	€ 29.929	€ 31.051	€ 32.348	€ 2.825	€ 1.682
	900 cm	€ 17.810	€ 18.858	€ 20.116	€ 21.479	€ 24.888	€ 26.072	€ 27.116	€ 28.440	€ 29.671	€ 30.601	€ 31.748	€ 33.069	€ 2.993	€ 1.780
	950 cm	€ 18.169	€ 19.242	€ 20.523	€ 21.912	€ 25.437	€ 26.644	€ 27.707	€ 29.058	€ 30.316	€ 31.265	€ 32.436	€ 33.782	€ 3.074	€ 1.878
	1000 cm	€ 18.527	€ 19.624	€ 20.931	€ 22.344	€ 25.984	€ 27.214	€ 28.301	€ 29.675	€ 30.960	€ 31.928	€ 33.124	€ 34.495	€ 3.198	€ 1.976
	1050 cm	€ 19.084	€ 20.396	€ 21.769	€ 23.250	€ 27.034	€ 28.329	€ 29.625	€ 30.920	€ 32.415	€ 33.444	€ 34.704	€ 36.139	€ 3.324	€ 2.081
	1100 cm	€ 19.642	€ 21.170	€ 22.609	€ 24.156	€ 28.082	€ 29.443	€ 30.949	€ 32.164	€ 33.869	€ 34.961	€ 36.284	€ 37.785	€ 3.448	€ 2.176
	1150 cm	€ 20.007	€ 21.561	€ 23.025	€ 24.596	€ 28.635	€ 30.022	€ 31.555	€ 32.795	€ 34.522	€ 35.635	€ 36.982	€ 38.509	€ 3.573	€ 2.279
1200 cm	€ 20.373	€ 21.951	€ 23.443	€ 25.037	€ 29.189	€ 30.601	€ 32.161	€ 33.424	€ 35.174	€ 36.309	€ 37.681	€ 39.231	€ 3.696	€ 2.375	
1250 cm	€ 20.732	€ 22.337	€ 23.851	€ 25.468	€ 29.737	€ 31.172	€ 32.758	€ 34.044	€ 35.817	€ 36.913	€ 38.305	€ 39.876	€ 3.822	€ 2.477	
1300 cm	€ 21.090	€ 22.721	€ 24.258	€ 25.901	€ 30.282	€ 31.743	€ 33.353	€ 34.664	€ 36.462	€ 37.517	€ 38.929	€ 40.523	€ 3.946	€ 2.574	
1350 cm	€ 21.451	€ 23.104	€ 24.666	€ 26.335	€ 30.834	€ 32.318	€ 33.948	€ 35.286	€ 37.109	€ 38.181	€ 39.620	€ 41.237	€ 4.071	€ 2.676	
1400 cm	€ 21.812	€ 23.488	€ 25.073	€ 26.769	€ 31.382	€ 32.892	€ 34.545	€ 35.910	€ 37.756	€ 38.846	€ 40.312	€ 41.954	€ 4.197	€ 2.772	
1450 cm	€ 22.171	€ 23.872	€ 25.482	€ 27.202	€ 31.933	€ 33.465	€ 35.142	€ 36.530	€ 38.403	€ 39.515	€ 41.000	€ 42.667	€ 4.321	€ 2.874	
1500 cm	€ 22.532	€ 24.258	€ 25.893	€ 27.634	€ 32.483	€ 34.039	€ 35.740	€ 37.150	€ 39.050	€ 40.181	€ 41.690	€ 43.380	€ 4.447	€ 2.971	
1550 cm	€ 23.091	€ 24.885	€ 26.585	€ 28.395	€ 33.390	€ 35.011	€ 36.779	€ 38.253	€ 40.217	€ 41.405	€ 42.980	€ 44.735	€ 4.569	€ 3.068	
1600 cm	€ 23.652	€ 25.514	€ 27.280	€ 29.157	€ 34.299	€ 35.985	€ 37.819	€ 39.357	€ 41.384	€ 42.631	€ 44.272	€ 46.091	€ 4.695	€ 3.169	
FS5-A	€ 44	€ 56	€ 65	€ 75	€ 87	€ 96	€ 108	€ 117	€ 129	€ 139	€ 150	€ 160			
FS5-E	€ 61	€ 77	€ 90	€ 103	€ 119	€ 132	€ 148	€ 162	€ 178	€ 191	€ 207	€ 220			

DEDUCTIONS

Price deduction is applicable only for pillars and beam. Deduction amount shall be consider as 70% of related option price.

Notes:

- Any Side Beam is not included in the price.
- If side beam used and projection is bigger than 700 cm, a side beam pillar also needs to be added up to the rail. Price is included in FS9 side beam option price.
- FS Flexy Plain/3D or Stam 6002 Trapezium ceiling cover, Motor and Remote control are included in the price.
- Palmiye Aluminium Coating Catalogue includes the standard colours with no extra cost. For any other type/brand/color of paint, price difference and additional delivery duration shall be checked from your customer representative.
- Standard "Fabric support profile plastic colors" are specified in our Aluminium coating catalogue.
- Optionally FS21 Trapezium Gutter can be added.
- Trapezium ceiling cover is included in the price.

FS5-A	Additional Fabric Support Profile (Standard)
FS4-L1600 (R97)	Additional Rail - Al. 110x160mm
FS8	Lighting System
FS21	Trapezium Gutter

FS8	
FS8-S	SPOT
FS8-L	LINEAR
FS8-LR	LINEAR (RGB)

LED TYPE & MODULE		
2 LED	3 LED	4 LED
€ 136	€ 165	€ 194
€ 194	€ 252	
€ 247	€ 320	

OPTIONS

FS10-L1600 (ALM-16)	Extra pillar (100x160mm Al.) for L1600 series	€ 362	pcs
FS10	Extra pillar (100x100mm Al.)	€ 540	pcs
FS10-ST3	Extra pillar (100x100x3mm St.)	€ 671	pcs
FS10-ST5	Extra pillar (100x100x5mm St.)	€ 978	pcs
FS11	Deco ceiling cover	€ 75	m ²
FS13-A	Wavy ceiling cover (for flexy fabric) (up to 350 cm width)	€ 38	m ²
FS15	Side beam pillar (50x100mm- Al)	€ 280	pcs
FS15-L1600 (ALM-11)	Side beam pillar (100x100mm- Al) for L1600 series	€ 355	pcs
FS19	Fix louver	€ 74	lm
FS23	External Square Downpipe	€ 330	pcs
FS24	W96 Ceiling Cover	€ 86	m ²
FS29-1	Sun Sensor (SUNIS) (for single motor)	€ 625	pcs
FS29-1S	Sun Sensor (SUNIS) (for synchronized motor)	€ 989	pcs
FS29-2	Wind Sensor (EOLIS RTS) (for single motor)	€ 292	pcs
FS29-2S	Wind Sensor (EOLIS RTS) (for synchronized motor)	€ 657	pcs
FS29-3	Sun and Wind Sensor (SOLIRIS RTS) (for single motor)	€ 331	pcs
FS29-3S	Sun and Wind Sensor (SOLIRIS RTS) (for synchronized motor)	€ 696	pcs
FS29-4	* Rain Sensor (ONDEIS) (for single motor)	€ 574	pcs
FS29-4S	* Rain Sensor (ONDEIS) (for synchronized motor)	€ 939	pcs
FS30	CONNEXOON	€ 525	pcs

EXTENSIONS

L1600 Rail - 110x160mm	€ 270	lm
Beam Profile (Al. 100x150mm)	€ 155	lm
Beam Profile (St. 100x150x3mm)	€ 320	lm
Beam Profile (St. 100x150x5mm)	€ 388	lm
Beam Profile (St. 100x200x3mm)	€ 324	lm
Beam Profile (St. 100x200x5mm)	€ 461	lm
Fabric protection cover (Al. - 63x__cm)	€ 60	m ²
L1600 Gutter	€ 105	lm

*Max. Al. Front pillar (Al. 100x160mm) height is 280cm

*Max. St 3mm. Front pillar (St. 100x100x3mm) height is 380cm

*Max. St. 5mm Front pillar (St. 100x100x5mm) height is 480cm

PRICE DIFFERENCE

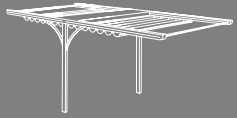
		BEAM GROUP	
		Standard	Al. 100x150mm
Back Beam	to	St. 100x150x3mm	€ 160 lm
		St. 100x150x5mm	€ 238 lm
		St. 100x200x3mm	€ 165 lm
		St. 100x200x5mm	€ 311 lm
		PILLAR GROUP	
		Standard	Al. 100x160mm
Front Pillar	to	Al. 100x100mm	€ 178 pcs
		St. 100x100x3mm	€ 197 pcs
		St. 100x100x5mm	€ 512 pcs
		St. 150x150x3mm	€ 787 pcs
		St. 150x150x5mm	€ 1.288 pcs
		Standard	Al. 100x100mm
Back Pillar	to	St. 100x100x3mm	€ 111 pcs
		St. 100x100x5mm	€ 456 pcs
		St. 150x150x3mm	€ 696 pcs
		St. 150x150x5mm	€ 1.231 pcs

Notes:

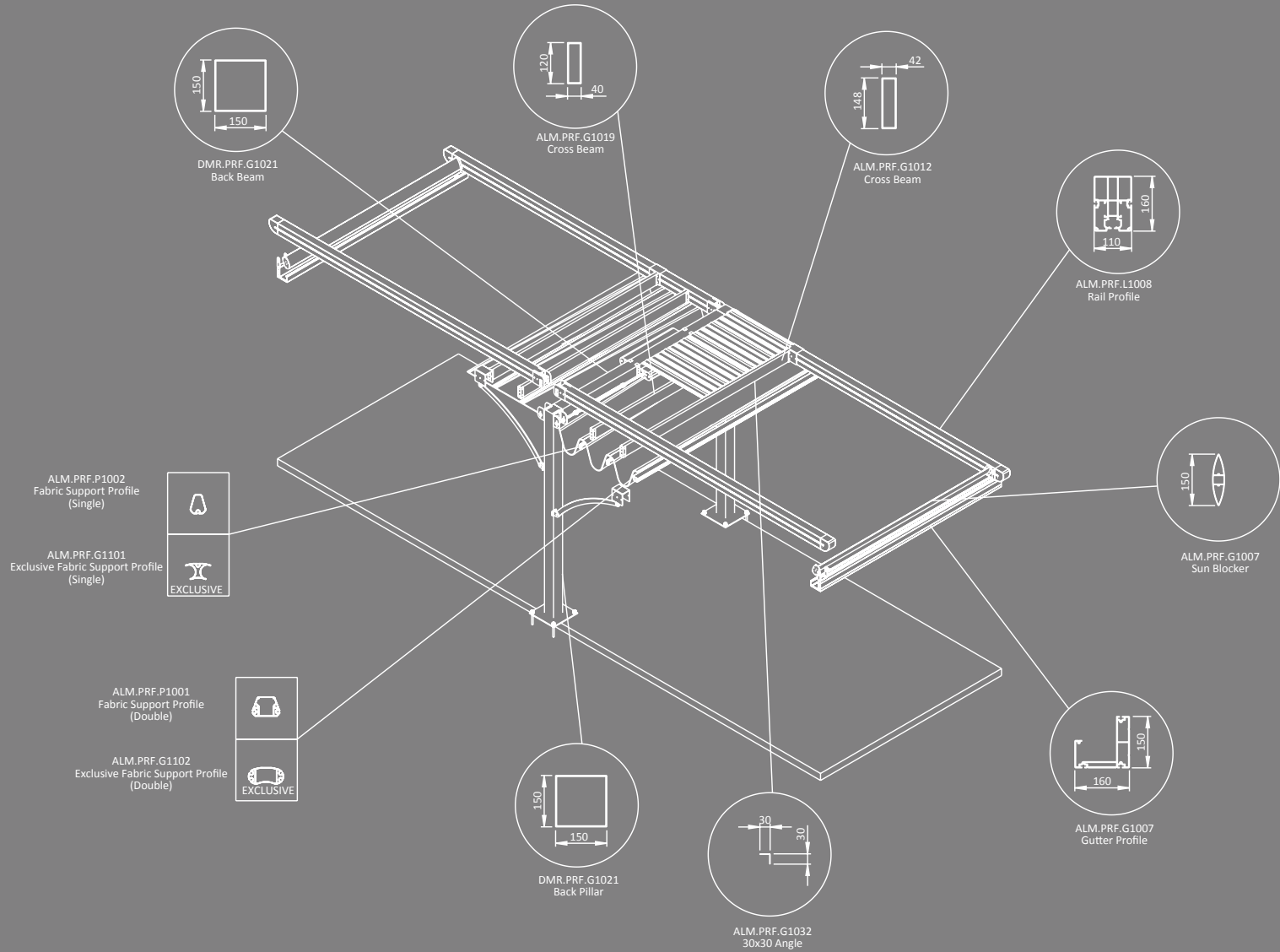
1. Fabric support profiles can be painted in the same color as the general construction. No fee is paid for this process. However, the plastic color should be specified from our standard plastic colours in Palmiye Colour Chart.

2. For one product, a dry contact transmitter costing 370€, must be added.

3. Up to 5 products, a RS485 Automation interface dry contact transmitter costing 1126€, must be added.



TWIN BRACKET SYSTEM TECHNICAL DETAILS



TECHNICAL DETAILS

WATER DRAIN&GUTTER CALCULATION

PRODUCT TYPE	MAX. M ²	USED PRODUCT TYPE
WATER DRAINAGE 45	34m ²	1200 Series Standard
WATER DRAINAGE 65	42m ²	Standard

*There should be at least one drainage, each 8 m length gutter.



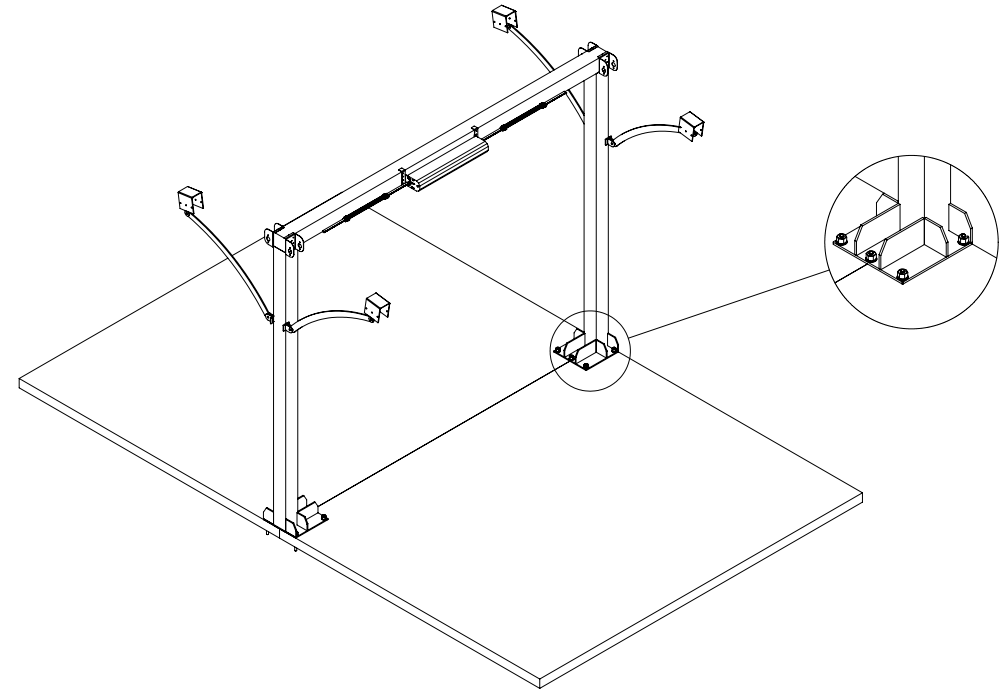
TWIN BRACKET SYSTEM

		WIDTH			
		2 RAIL			
		250 cm	300 cm	350 cm	400 cm
PROJECTION	400 cm	€ 11.269	€ 11.882	€ 12.631	€ 13.382
	450 cm	€ 11.695	€ 12.335	€ 13.112	€ 13.889
	500 cm	€ 12.115	€ 12.781	€ 13.586	€ 14.392
	550 cm	€ 12.790	€ 13.730	€ 14.615	€ 15.500
	600 cm	€ 13.221	€ 14.190	€ 15.105	€ 16.020
	650 cm	€ 13.643	€ 14.640	€ 15.580	€ 16.520
	700 cm	€ 14.066	€ 15.089	€ 16.055	€ 17.024
	800 cm	€ 14.492	€ 15.541	€ 16.536	€ 17.530

FS5-A	€ 44	€ 56	€ 65	€ 75
FS5-E	€ 61	€ 77	€ 90	€ 103

FS5-A	Additional Fabric Support Profile (Standard)
FS8	Lighting System

FS8		LED TYPE & MODULE		
		2 LED	3 LED	4 LED
FS8-S	SPOT	€ 136	€ 165	€ 194
FS8-L	LINEAR	€ 194	€ 252	
FS8-LR	LINEAR (RGB)	€ 247	€ 320	



- * Distance between two pillars depends on the system width.
- * For the systems with 2 units next to each other, one of the pillars in the middle will be removed.
- * Strut support apparatus is used under each rail.
- * Pillar and beam are used as 150*150*3mm in standard.

Notes:

1. Modules can not be combined.
2. Side beam is not applicable.
3. FS Flexy Plain/3D or Stam 6002 Trapezium ceiling cover, Motor and Remote control are included in the price.
4. Palmiye Aluminium Coating Catalogue includes the standard colours with no extra cost. For any other type/brand/color of paint, price difference and additional delivery duration shall be checked from your customer representative.
5. Standard "Fabric support profile plastic colors" are specified in our Aluminium coating catalogue.
6. Optionally FS21 Trapezium Gutter can be added.
7. This product includes a sun braker profile in the front to connect the rails.
8. Trapezium ceiling cover is included in the price.

DEDUCTIONS

Price deduction is applicable only for back pillars and back beam. Deduction amount shall be consider as 70% of related option price.

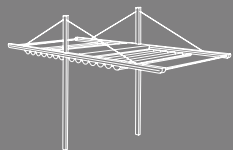
OPTIONS			
FS10-L1600 (ALM-16)	Extra pillar (100x160mm Al.) for L1600 series	€ 362	pcs
FS10	Extra pillar (100x100mm Al.)	€ 540	pcs
FS10-ST3	Extra pillar (100x100x3mm St.)	€ 671	pcs
FS10-ST5	Extra pillar (100x100x5mm St.)	€ 978	pcs
FS11	Deco ceiling cover	€ 75	m ²
FS13-A	Wavy ceiling cover (for flexy fabric) (up to 350 cm width)	€ 38	m ²
FS15	Side beam pillar (50x100mm - Al)	€ 280	pcs
FS15-L1600 (ALM-11)	Side beam pillar (100x100mm - Al) for L1600 series	€ 355	pcs
FS19	Fix louver	€ 74	lm
FS23	External Square Downpipe	€ 330	pcs
FS24	W96 Ceiling Cover	€ 86	m ²
FS28-1	Stainless steel chain - 100 cm	€ 78	1m
FS28-2	Stainless steel chain - 200 cm	€ 153	2m
FS28-3	Stainless steel chain - 300 cm	€ 230	3m
FS28-4	Stainless steel chain - 400 cm	€ 306	4m
FS29-1	Sun Sensor (SUNIS) (for single motor)	€ 625	pcs
FS29-2	Wind Sensor (EOLIS RTS) (for single motor)	€ 292	pcs
FS29-3	Sun and Wind Sensor (SOLIRIS RTS) (for single motor)	€ 331	pcs
FS29-4	* Rain Sensor (ONDEIS) (for single motor)	€ 574	pcs
FS30	CONNEXOON	€ 525	pcs
FS10-150ST5-H	Extra half pillar (150x150x5mm St.)	€ 210	pcs
FS10-150ST3	Extra pillar (150x150x3mm St.)	€ 1.252	pcs
FS10-150ST5	Extra pillar (150x150x5mm St.)	€ 1.751	pcs

EXTENSIONS		
L1600 Rail - 110x160mm	€ 270	lm
Beam Profile (Al. 42x150mm)	€ 105	lm
Beam Profile (Al. 50x150mm)	€ 185	lm
Beam Profile (Al. 100x150mm)	€ 155	lm
Beam Profile (St. 100x150x3mm)	€ 320	lm

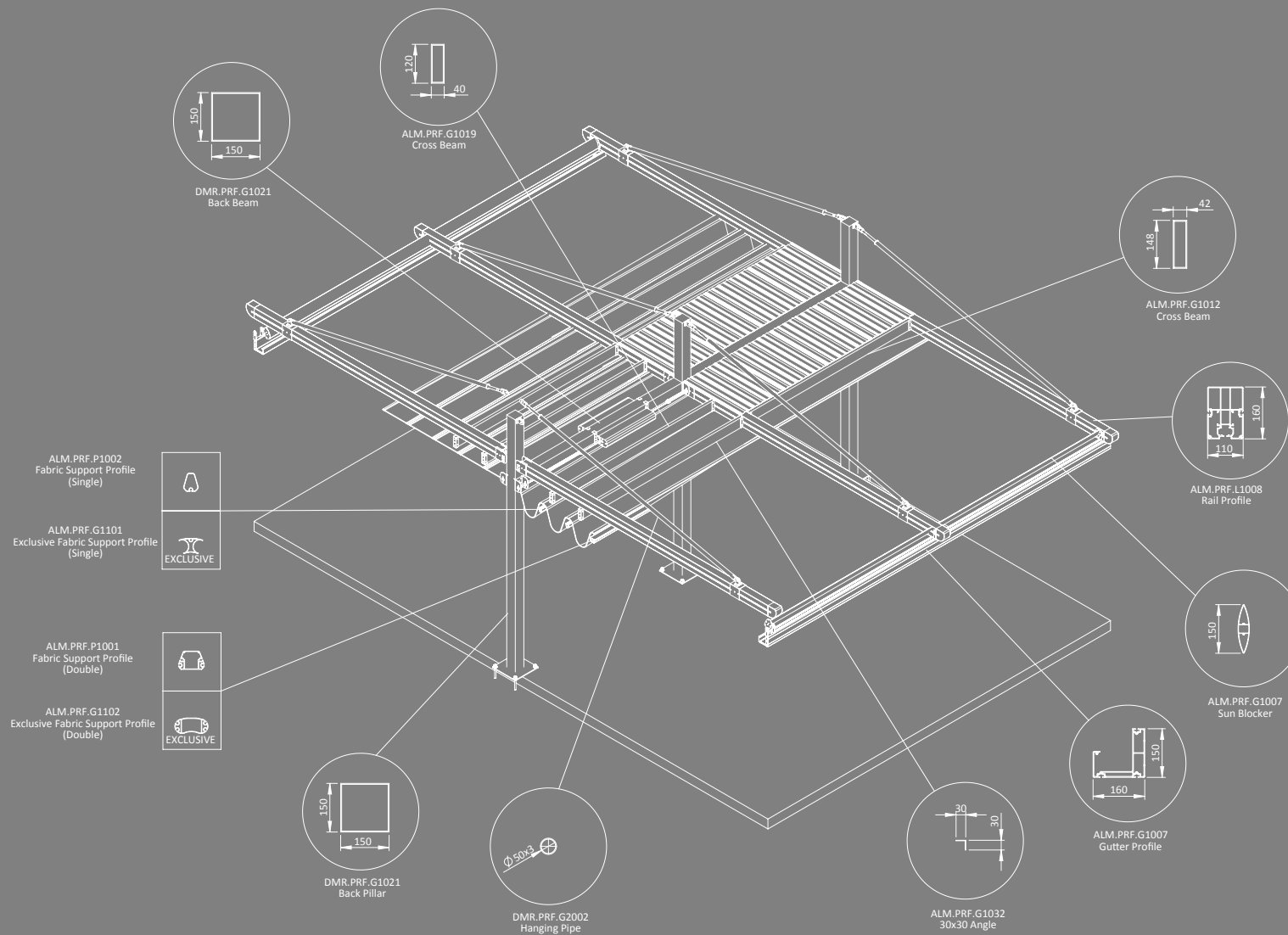
PRICE DIFFERENCE			
BEAM GROUP			
Beam	Standard	St. 150x150x3mm	
	to	St. 150x150x5mm	€ 90 pcs
PILLAR GROUP			
Pillar	Standard	St. 150x150x3mm	
	to	St. 150x150x5mm	€ 535 pcs

Notes:

1. Fabric support profiles can be painted in the same color as the general construction. No fee is paid for this process. However, the plastic color should be specified from our standard plastic colours in Palmiye Color Chart.
2. For one product, a dry contact transmitter costing 370€, must be added.
3. Up to 5 products, a RS485 Automation interface dry contact transmitter costing 1126€, must be added.
4. The prices in the main table are for wall mounted products. This model also can be made as freestanding. For freestanding applications "FS10-150ST3" or "FS10-150ST5" pillar options and "St. 150x150x3mm" or "St. 150x150x5mm" back beam options should be added to the main prices.



TWIN HANGING SYSTEM TECHNICAL DETAILS

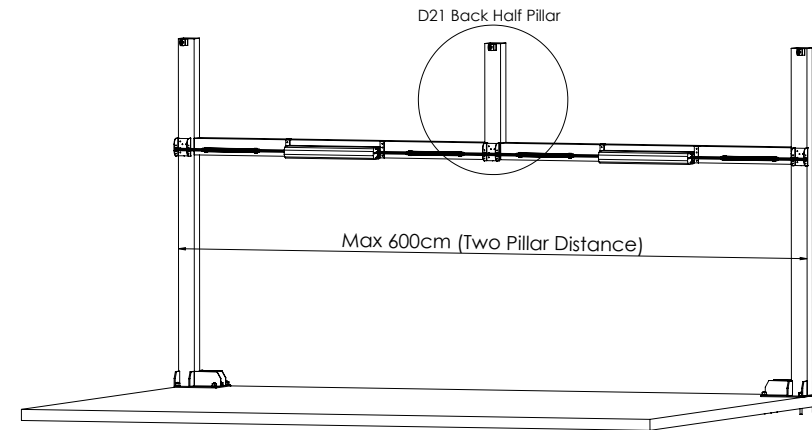


TECHNICAL DETAILS

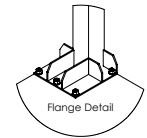
WATER DRAIN&GUTTER CALCULATION

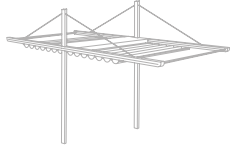
PRODUCT TYPE	MAX. M ²	USED PRODUCT TYPE
WATER DRAINAGE 45	34m ²	1200 Series Standard
WATER DRAINAGE 65	42m ²	Standard

*There should be at least one drainage, each 8 m length gutter.



- This model includes 3m steel back beam and pillars.
- The front beam can not be produced in steel.
- Ground flanges are 380x380x15 mm.
- When pillar reduction is applied, half pillar must be installed at the back of each rail shaft, and all steel pillars should be 150x150x5 mm.
- In condition of adding an additional rail, a steel 150x150x3m back pillar should also be added.





TWIN HANGING SYSTEM

		WIDTH												FS4-L1600 (R97)	FS21
		2 RAIL				3 RAIL									
		250 cm	300 cm	350 cm	400 cm	450 cm	500 cm	550 cm	600 cm	650 cm	700 cm	750 cm	800 cm		
PROJECTION	400 cm	€ 11.357	€ 11.970	€ 12.719	€ 13.537	€ 15.885	€ 16.588	€ 17.201	€ 17.994	€ 18.731	€ 19.272	€ 19.991	€ 20.780	€ 1.700	€ 793
	450 cm	€ 11.782	€ 12.422	€ 13.200	€ 14.045	€ 16.537	€ 17.267	€ 17.907	€ 18.727	€ 19.490	€ 20.057	€ 20.802	€ 21.620	€ 1.824	€ 891
	500 cm	€ 12.202	€ 12.869	€ 13.673	€ 14.547	€ 17.183	€ 17.939	€ 18.602	€ 19.451	€ 20.244	€ 20.832	€ 21.604	€ 22.450	€ 1.950	€ 991
	550 cm	€ 12.878	€ 13.818	€ 14.703	€ 15.659	€ 18.472	€ 19.308	€ 20.237	€ 20.979	€ 22.037	€ 22.700	€ 23.549	€ 24.474	€ 2.076	€ 1.089
	600 cm	€ 13.309	€ 14.275	€ 15.192	€ 16.173	€ 19.126	€ 19.991	€ 20.950	€ 21.720	€ 22.802	€ 23.490	€ 24.365	€ 25.320	€ 2.200	€ 1.189
	650 cm	€ 13.730	€ 14.728	€ 15.668	€ 16.675	€ 19.773	€ 20.664	€ 21.653	€ 22.448	€ 23.558	€ 24.188	€ 25.086	€ 26.063	€ 2.326	€ 1.287
	700 cm	€ 14.154	€ 15.176	€ 16.143	€ 17.183	€ 20.423	€ 21.342	€ 22.353	€ 23.179	€ 24.315	€ 24.966	€ 25.893	€ 26.898	€ 2.450	€ 1.385
	750 cm	€ 14.577	€ 15.628	€ 16.624	€ 17.687	€ 21.074	€ 22.019	€ 23.057	€ 23.908	€ 25.075	€ 25.747	€ 26.699	€ 27.731	€ 2.576	€ 1.485
	800 cm	€ 15.122	€ 16.209	€ 17.238	€ 18.334	€ 21.898	€ 22.875	€ 23.947	€ 24.828	€ 26.035	€ 26.733	€ 27.714	€ 28.781	€ 2.700	€ 1.584
	850 cm	€ 17.683	€ 18.707	€ 19.941	€ 21.279	€ 24.823	€ 25.983	€ 27.001	€ 28.302	€ 29.510	€ 30.417	€ 31.541	€ 32.836	€ 2.825	€ 1.682
	900 cm	€ 18.037	€ 19.086	€ 20.344	€ 21.706	€ 25.368	€ 26.551	€ 27.593	€ 28.917	€ 30.150	€ 31.080	€ 32.227	€ 33.548	€ 2.993	€ 1.780
	950 cm	€ 18.388	€ 19.460	€ 20.741	€ 22.130	€ 25.905	€ 27.112	€ 28.177	€ 29.527	€ 30.786	€ 31.735	€ 32.906	€ 34.252	€ 3.074	€ 1.878
1000 cm	€ 18.736	€ 19.833	€ 21.140	€ 22.551	€ 26.446	€ 27.675	€ 28.762	€ 30.134	€ 31.421	€ 32.389	€ 33.585	€ 34.954	€ 3.198	€ 1.976	
1050 cm	€ 19.084	€ 20.207	€ 21.538	€ 22.975	€ 26.983	€ 28.236	€ 29.344	€ 30.744	€ 32.055	€ 33.045	€ 34.264	€ 35.658	€ 3.324	€ 2.081	
1100 cm	€ 19.433	€ 20.580	€ 21.937	€ 23.397	€ 27.523	€ 28.799	€ 29.929	€ 31.351	€ 32.692	€ 33.699	€ 34.945	€ 36.362	€ 3.448	€ 2.176	
1150 cm	€ 19.781	€ 20.954	€ 22.333	€ 23.820	€ 28.061	€ 29.360	€ 30.513	€ 31.959	€ 33.326	€ 34.355	€ 35.624	€ 37.066	€ 3.573	€ 2.279	
1200 cm	€ 20.130	€ 21.327	€ 22.732	€ 24.244	€ 28.601	€ 29.923	€ 31.096	€ 32.568	€ 33.962	€ 35.009	€ 36.303	€ 37.769	€ 3.696	€ 2.375	

G22	€ 251	€ 259	€ 282	€ 312	€ 340	€ 363	€ 391	€ 416	€ 442	€ 467	€ 601	€ 627
FS5-A	€ 44	€ 56	€ 65	€ 75	€ 87	€ 96	€ 108	€ 117	€ 129	€ 139	€ 150	€ 160
FS5-E	€ 61	€ 77	€ 90	€ 103	€ 119	€ 132	€ 148	€ 162	€ 178	€ 191	€ 207	€ 220

FS5-A	Additional Fabric Support Profile (Standard)
FS4-L1600 (R97)	Additional Rail - Al. 110x160mm
FS8	Lighting System
FS21	Trapezium Gutter

LED TYPE & MODULE		
2 LED	3 LED	4 LED
€ 136	€ 165	€ 194
€ 194	€ 252	
€ 247	€ 320	

FS8	
FS8-S	SPOT
FS8-L	LINEAR
FS8-LR	LINEAR (RGB)

Notes:

- Optionally FS21 Trapezium Gutter can be added.
- FS Flexy Plain/3D or Stam 6002 Trapezium ceiling cover, Motor and Remote control are included in the price.
- FS13-A Wavy Ceiling Cover must be added to the price.
- Palmiye Aluminium Coating Catalogue includes the standard colours with no extra cost. For any other type/brand/color of paint, price difference and additional delivery duration shall be checked from your customer representative.
- Standard "Fabric support profile plastic colors" are specified in our Aluminium coating catalogue.
- This product includes a sun braker profile in the front to connect the rails.
- Trapezium ceiling cover is included in the price.

DEDUCTIONS

Price deduction is applicable only for back pillars and back beam. Deduction amount shall be consider as 70% of related option price.

OPTIONS			
FS10-L1600 (ALM-16)	Extra pillar (100x160mm Al.) for L1600 series	€ 362	pcs
FS10	Extra pillar (100x100mm Al.)	€ 540	pcs
FS10-ST3	Extra pillar (100x100x3mm St.)	€ 671	pcs
FS10-ST5	Extra pillar (100x100x5mm St.)	€ 978	pcs
FS11	Deco ceiling cover	€ 75	m ²
FS13-A	Wavy ceiling cover (for flexy fabric) (up to 350 cm width)	€ 38	m ²
FS15	Side beam pillar (50x100mm - Al)	€ 280	pcs
FS15-L1600 (ALM-11)	Side beam pillar (100x100mm - Al) for L1600 series	€ 355	pcs
FS19	Fix louver	€ 74	lm
FS23	External Square Downpipe	€ 330	pcs
FS24	W96 Ceiling Cover	€ 86	m ²
FS28-1	Stainless steel chain - 100 cm	€ 78	1m
FS28-2	Stainless steel chain - 200 cm	€ 153	2m
FS28-3	Stainless steel chain - 300 cm	€ 230	3m
FS28-4	Stainless steel chain - 400 cm	€ 306	4m
FS29-1	Sun Sensor (SUNIS) (for single motor)	€ 625	pcs
FS29-1S	Sun Sensor (SUNIS) (for synchronized motor)	€ 989	pcs
FS29-2	Wind Sensor (EOLIS RTS) (for single motor)	€ 292	pcs
FS29-2S	Wind Sensor (EOLIS RTS) (for synchronized motor)	€ 657	pcs
FS29-3	Sun and Wind Sensor (SOLIRIS RTS) (for single motor)	€ 331	pcs
FS29-3S	Sun and Wind Sensor (SOLIRIS RTS) (for synchronized motor)	€ 696	pcs
FS29-4	* Rain Sensor (ONDEIS) (for single motor)	€ 574	pcs
FS29-4S	* Rain Sensor (ONDEIS) (for synchronized motor)	€ 939	pcs
FS30	CONNEXOON	€ 525	pcs
FS10-150ST5-H	Extra half pillar (150x150x5mm St.)	€ 210	pcs
FS10-150ST3	Extra pillar (150x150x3mm St.)	€ 1.252	pcs
FS10-150ST5	Extra pillar (150x150x5mm St.)	€ 1.751	pcs

EXTENSIONS		
L1600 Rail - 110x160mm	€ 270	lm
Beam Profile (Al. 42x150mm)	€ 105	lm
Beam Profile (Al. 50x150mm)	€ 185	lm
Beam Profile (Al. 100x150mm)	€ 155	lm
Beam Profile (St. 100x150x3mm)	€ 320	lm

PRICE DIFFERENCE			
BEAM GROUP			
Beam	Standard	St. 150x150x3mm	
	to	St. 150x150x5mm	€ 90 pcs
PILLAR GROUP			
Pillar	Standard	St. 150x150x3mm	
	to	St. 150x150x5mm	€ 535 pcs

Notes:

1. Fabric support profiles can be painted in the same color as the general construction. No fee is paid for this process. However, the plastic color should be specified from our standard plastic colours in Palmiye Color Chart.
2. For one product, a dry contact transmitter costing 370€, must be added.
3. Up to 5 products, a RS485 Automation interface dry contact transmitter costing 1126€, must be added.
4. The prices in the main table are for wall mounted products. This model also can be made as freestanding. For freestanding applications "FS10-150ST3" or "FS10-150ST5" pillar options and "St. 150x150x3mm" or "St. 150x150x5mm" back beam options should be added to the main prices.



www.palmiye.eu